

# SLANT/FIN BOILERS

Residential – Gas, Oil & Electric  
Modular – Gas & Oil

**ALL BOILERS  
DOE  
SEPT. 2012  
COMPLIANT**

# *Slant/Fin*®

## TRADE PRICE BOOK

August 1, 2012

Before purchasing these appliances, read important energy cost and efficiency information available from your contractor.

### **NEW PRODUCTS OFFERED:**

Victory VHS Boiler.....p.9  
CHS Boiler.....p.12



CHS Boiler



Victory VHS II



## TABLE OF CONTENTS

			AHRI Net Rating Range		
Description			Water MBh	Steam MBh	Page(s)
<b>GAS-FIRED BOILERS</b>					
	Sentry	S Series	Hot water models, integral draft diverter		3
	Sentinel	SE Series	Hot water models		4
	Galaxy	GG Series	Hot water models, basic or packaged		5-6
		GXH Series	Hot water, packaged with optional tankless heater		7
		GXH/GXHA Series	Steam models, integral draft diverter with optional tankless heater		7-8
<b>New</b>	Victory II	VHS Series	Hot water models, power vent		9
	Victory	VSPH Series	Hot water models, sealed combustion, direct vent		10
	Victory	VSL Series	Hot water model, modulating, condensing, high efficiency		11
<b>New</b>	CHS	CHS Series	Hot water model, modulating, condensing, high efficiency		12
	Lynx	LX Series	Hot water model, modulating, condensing, high efficiency		13
	Lynx	LX Combi (CB)	Hot water model, modulating, condensing, high efficiency w/DHW		14
	Jaguar	J-390 Series	Hot water model, modulating, condensing, high efficiency		15
<b>OIL-FIRED BOILERS</b>					
	Intrepid	TR Hot Water Series	Hot water packaged with optional tankless heater		16
	Intrepid	TR Steam Series	Low pressure steam		17
	Intrepid	TR KD Series	Knocked-down boilers and boiler/burner units		18-19
	Intrepid	TRDV Series	Hot water, direct vent models, packaged with optional tankless heater		20
	Eutectic	EC-10 Series	Hot water, three-pass high efficiency packaged less burner		21
	Eutectic	EC-20 Series	Hot water, three-pass, knocked-down		22
	XL-2000	XL Series	Hot water, no tankless, solid front, packaged		23
<b>ELECTRIC BOILERS</b>					
	Monitron	EH Series	Electric hot water boilers (240V) 27 to 137 (8kw to 40kw)		24
	Monitron	Deluxe Series (EH-M2 & Minitron EH-M3)	Electric hot water boilers (240V) 27 to 137 (8kw to 40kw)		25
<b>GLASS-LINED INDIRECT FIRED WATER HEATERS</b>					
	HWT	HWT Series	Indirect Fired Water Heater		26
<b>DOMESTIC HOT WATER GENERATOR</b>					
	DHWG	DHWG Series	Domestic Hot Water Generator		27
<b>VENT DAMPERS</b>					
					28
<b>AIR PACKAGES</b>					
For residential boilers.					28
<b>MODULAR BOILERS:</b>					
<b>GAS, OIL</b>					
	Caravan (Gas)		Hot water and low pressure steam modules, packaged		29-30
	Jaguar Caravan	Multiple Boilers			31
	Caravan (Oil)		Hot water and low pressure steam modules, packaged		32-33
	Controls and Accessories, Vent Dampers & Headers External Tankless Heaters		Modular Step Controls, Header Sets & Vent Dampers for intermittent ignition pilots		34-35 35
<b>MATERIAL RETURN AUTHORIZATION</b>					
Policy and procedures for return of boilers and parts under warranty.					36
<b>SLANT/FIN BOILER WARRANTIES</b>					
All models					37-40
<b>SLANT/FIN LYNX / VSL / CHS BOILER WARRANTY</b>					
					39
<b>SLANT/FIN EUTECTIC BOILER WARRANTY</b>					
					40
<b>SUMMARY OF LIMITED BOILER WARRANTIES</b>					
					41
<b>CODE APPROVALS</b>					
					41

All product details and specifications are subject to change.



S Series  
illustrated

NATURAL DRAFT • ATMOSPHERIC  
includes "S" models with integral draft diverter

**GAS**

# Hot Water Boilers

**Sentry**  
S SERIES

## RATINGS AND PRICES

Model No.	Packaged Boiler (Nat. Gas or Propane) with vent damper		Ratings for Natural and L.P. Propane Gases				A.F.U.E. %	Vent Size Nominal Dia.
	Intermittent Pilot Ignition		C.S.A. Input (MBH)	D.O.E. Capacity (Btuh)	Net* AHRI (MBH)	Net* Rating (Sq. Ft)	Intermittent Ignition	
	Trade Price	Ship Wt.						
S-34-EDP	<b>2049</b>	187	34	29,000	25	167	84.0	4"
S-60-EDP	<b>2150</b>	232	60	51,000	44	293	84.4	4"
S-90-EDP	<b>2303</b>	277	90	76,000	66	440	84.2	5"
S-120-EDP	<b>2507</b>	322	120	101,000	88	587	84.1	6"
S-150-EDP	<b>2760</b>	368	150	125,000	109	727	83.4	7"



### Standard Equipment

Pre-assembled cast-iron heat exchanger with built-in air separator  
 Insulated base  
 Pre-assembled insulated flush jacket  
 Integral draft diverter  
 Stainless steel gas burners, gas orifices and manifold assembly  
 Combination gas valve including manual shut-off, pressure regulator, pilot adjustment  
 Intermittent pilot ignition system  
 Pressure and temperature gauge  
 Pressure relief valve (ASME) 30 psi †  
 2-way combination control (hi-limit and circulator relay)  
 Circulator, Taco 007, with 1-1/4" flange  
 Drain cock  
 Blocked vent safety switch — mounted  
 Rollout safety switch

### DOE 2012 Compliant Control Features:

- Thermal targeting technology to conserve fuel
- Near zero CO emissions
- LWCO function
- Circulator remains off until boiler water reaches 120° F to reduce potential of condensing
- Thermal pre-purge option
- LED display for operational info

### Optional Equipment

	Order Code	Add
Propane (L.P.) Options:		
Propane, L.P. factory installed. Specify PROPANE L.P. gas.	111-689	<b>N/C</b>
Field conversion kits:		
Intermittent Pilot—natural gas to propane (model S-34)	414-540	<b>181</b>
Intermittent Pilot—natural gas to propane (model S-60 thru S-150)	414-546	<b>181</b>
Intermittent Pilot—propane to natural gas (model S-34)	415-540	<b>51</b>
Intermittent Pilot—propane to natural gas (model S-60 thru S-150)	415-546	<b>51</b>
Base for combustible flooring:		
S-34 thru S-90	412-268	<b>53</b>
S-120 thru S-150	412-269	<b>63</b>
Eliminate circulator	<b>Deduct</b>	<b>134</b>
Replace Taco 007 1-1/4" circulator on P boilers with:		
Grundfos UPS 15-58F 1-1/4" circulator	111-644	<b>N/C</b>
B & G NRF 22 - 1-1/4"	111-642	<b>N/C</b>
Taco 0010 circulator	111-609	<b>85</b>
Taco 110 1-1/4" circulator	111-617	<b>119</b>
B & G model 100 1-1/4" circulator	111-648	<b>145</b>
Air package selection and prices, see page 28.		

\* Net ratings are based on piping and pick-up allowance of 1.15. Slant/Fin should be consulted before selecting a boiler for installation having unusual piping and/or pick-up requirements. Ratings must be reduced by 4% at 2,000 feet elevation and an additional 4% for every additional 1,000 feet elevation over 2,000 feet.

† Boilers are factory equipped with 30 psi A.S.M.E. relief valves. Boilers are rated for 50 psi working pressure.

**GAS**

NATURAL DRAFT • ATMOSPHERIC

**Sentinel**  
SE SERIES**Hot Water Boilers****RATINGS AND PRICES**

Model No.	Packaged Boiler (Nat. Gas or Propane) with vent damper		Ratings for Natural and L.P. Propane Gases				A.F.U.E. % Intermittent Ignition	Vent Size Nominal Dia.
	Intermittent Pilot Ignition		C.S.A. Input (MBH)	D.O.E. Capacity (Btuh)	Net* AHRI (MBH)	Net* Rating (Sq. Ft)		
Trade Price	Ship Wt.							
SE-70-EDP	<b>2157</b>	232	70	58,000	50,000	333	82.0	4"
SE-105-EDP	<b>2325</b>	277	105	87,000	76,000	507	82.1	5"
SE-140-EDP	<b>2611</b>	322	140	116,000	101,000	673	82.2	5"
SE-175-EDP	<b>2860</b>	368	175	145,000	126,000	840	82.2	6"
SE-210-EDP	<b>3314</b>	423	210	173,000	150,000	1000	82.3	7"

**Standard Equipment**

Pre-assembled cast-iron heat exchanger with built-in air separator  
 Insulated base  
 Pre-assembled insulated flush jacket  
 External draft hood  
 Stainless steel gas burners, gas orifices and manifold assembly  
 Combination gas valve including manual shut-off, pressure regulator, pilot adjustment  
 Intermittent pilot ignition system  
 Pressure and temperature gauge  
 Pressure relief valve (ASME) 30 psi †  
 2-way combination control (hi-limit and circulator relay)  
 Circulator, Taco 007, with 1-1/4" flange  
 Drain cock  
 Blocked vent safety switch — unmounted  
 Motorized vent damper  
 Rollout safety switch

**DOE 2012 Compliant Control Features:**

- Thermal targeting technology to conserve fuel
- Near zero CO emissions
- LWCO function
- Circulator remains off until boiler water reaches 120°F to reduce potential of condensing
- Thermal pre-purge option
- LED display for operational info

**Optional Equipment**

	Order Code	Add
Propane (L.P.) Options:		
Propane, L.P. factory installed. Specify PROPANE L.P. gas.	111-689	<b>N/C</b>
Field conversion kits:		
Intermittent Pilot—natural gas to propane	414-547	<b>181</b>
Intermittent Pilot—propane to natural gas	415-547	<b>51</b>
Base for combustible flooring:		
SE-70 and SE-105	412-268	<b>53</b>
SE-140 through SE-210	412-269	<b>63</b>
Eliminate circulator	<b>Deduct</b>	<b>134</b>
Replace Taco 007 1-1/4" circulator on P boilers with:		
Grundfos UPS 15-58F 1-1/4" circulator	111-644	<b>N/C</b>
B & G NRF 22 - 1-1/4"	111-642	<b>N/C</b>
Taco 0010 circulator	111-609	<b>85</b>
Taco 110 1-1/4" circulator	111-617	<b>119</b>
B & G model 100 1-1/4" circulator	111-648	<b>145</b>

Slant/Fin air package numbers: SE-70 and SE-105, #109; SE-140, SE-175, SE-210, #110. See p. 28 for order information.

\* Net ratings are based on piping and pick-up allowance of 1.15. Slant/Fin should be consulted before selecting a boiler for installation having unusual piping and/or pick-up requirements. Ratings must be reduced by 4% at 2,000 feet elevation and an additional 4% for every additional 1,000 feet elevation over 2,000 feet.

† Boilers are factory equipped with 30 psi A.S.M.E. relief valves. Boilers are rated for 50 psi working pressure.



NATURAL DRAFT • ATMOSPHERIC

**GAS**

# Hot Water Boilers

**Galaxy**  
GG SERIES

**RATINGS AND PRICES**

Models with  
**INTERMITTENT PILOT and VENT DAMPER**



Model No. †	Packaged Boiler (Natural Gas)			Natural and L.P. Propane Gases				Vent Size Nominal Diameter Inches
	Trade Price	Ship Wt.	AFUE %	C.S.A. Input (MBH)	D.O.E. Capacity (Btuh)	Net* AHRI (MBH)	Net* Rating (Sq. Ft.)	
GG-250HEDP	<b>3787</b>	500	82.80	250	209,000	182	1211.3	8
GG-275HEDP	<b>4042</b>	510	82.70	275	228,000	198	1322.0	8
GG-300EDP	<b>4218</b>	565	81.10§	300	243,000 §	211	1407.0	8
GG-350HEDP¢	<b>4878</b>	635	81.40§	350	285,000 §	248	1653.0	9
GG-375HEDP	<b>5197</b>	645	80.90§	375	303,000 §	263	1753.0	10
GG-399HEDP	<b>5255</b>	650	80.60§	399	322,000 §	280	1867.0	10

See footnotes and optional equipment on page 6.

**Standard Equipment**

	<b>P</b>
Pre-assembled cast-iron heat exchanger built-in air separator	X
Insulated base	X
Pre-assembled insulated flush jacket	X
Flue collector	X
Stainless steel gas burners, gas orifices and manifold assembly	X
Combination gas valve including manual shut-off, pressure regulator, pilot adj. and 100% shut-off	X
2-way combination control (hi-limit and circulator relay)	X
Hi-limit control	X
Altitude, pressure and temperature gauge	X
Pressure relief valve (ASME) 30 psi ‡	X
Draft hood (Ships in separate carton)	X
Circulator, Taco 0010 for GG-225 thru GG-399	X
Flange for circulator; 1-1/4"; 1-1/2" (GG-250 thru GG-399)	X
Circulator manifold	X
Drain cock	X
Rollout safety switch	X
Blocked vent safety switch (unmounted)	X
Motorized vent damper (models with suffix "D")	X
Intermittent ignition pilot	X

**DOE 2012 Compliant Control Features:**

- Thermal targeting technology to conserve fuel
- Near zero CO emissions
- LWCO function
- Circulator remains off until boiler water reaches 120°F to reduce potential of condensing
- Thermal pre-purge option
- LED display for operational info

# GAS

## Galaxy GG SERIES

# Hot Water Boilers



### Optional Equipment

Order Code    Add

#### Propane (L.P.) Options:

# Propane gas ( <b>factory installed</b> ) specify propane (L.P.) gas.	412-631	<b>33</b>
∅ Propane (for intermittent pilot only) ( <b>field assembly</b> ) kit for nat. gas to propane equipped with Honeywell valves ONLY ††	414-519	<b>205</b>
∅ Propane (for intermittent pilot only) ( <b>field assembly</b> ) kit for 24V boilers NOT equipped with Honeywell valves	414-619	<b>326</b>
∅ Eliminate circulator from "P" boiler only. Boilers up to 200,000 Btu input	<b>Deduct</b>	<b>134</b>
Boilers over 200,000 Btu input	<b>Deduct</b>	<b>166</b>
Replace Taco 0010 circulator on P boilers with: Taco 110 (GG-225 thru GG-399)	111-614	<b>38</b>
B&G 100 (GG-225 thru GG-399)	111-615	<b>61</b>
Base for combustible flooring: GG-250 and GG-275	411-778	<b>73</b>
GG-300 thru GG-399	411-779	<b>77</b>

Air package selection and prices, see page 28.

#### FOOTNOTES:

- \* Net ratings are based on piping and pick-up allowance of 1.15. Slant/Fin should be consulted before selecting a boiler for installation having unusual piping and/or pick-up requirements. Ratings must be reduced by 4% at 2,000 feet elevation and an additional 4% for every additional 1,000 feet elevation over 2,000 feet.
- † "P" for packaged water boiler. Type of gas: after model number, specify gas by name: "Natural" or "Propane."
- ‡ Boilers are factory equipped with 30 psi A.S.M.E. relief valves. Boilers are rated for 100 psi working pressure.
- § Gross output rating (MBH) and thermal efficiency.
- # Factory installed options.
- ∅ Specify boiler model number.
- c For use with natural gas. For Propane (L.P.) gas consult factory.
- †† Specify gas valve number for all Honeywell kits.

#### Definition of model number suffixes:

- E = Intermittent pilot ignition system
- D = Motorized vent damper
- P = Packaged boiler



# Hot Water Boilers (With Tankless Heater) and Steam Boilers (Tankless Heater Optional)

# Galaxy

GXH SERIES  
GXHA SERIES

**RATINGS AND PRICES — HOT WATER MODELS**

**Hot water models with  
INTERMITTENT PILOT and VENT DAMPER**

Model No. †	Packaged Water Blr. with Tankless Htr. (Nat. Gas or Propane)		Ratings for Nat. and LP Propane Gases				AFUE %	Vent Size Nominal Dia. Inches
			Hot Water		Net Ratings*			
	Trade Price	Ship Wt.	C.S.A. Input BTU/HR	D.O.E. Capacity (MBH)	AHRI Water (MBH)	Water Sq.Ft.		
GXH-105EDPT	<b>3312</b>	365	105	87,000	75.0	500	82.50	5
GXH-125EDPT	<b>3512</b>	375	126	104,000	90.0	600	82.50	6
GXH-150EDPT	<b>3904</b>	415	147	122,000	106.0	706	82.50	7
GXH-170EDPT	<b>4122</b>	450	168	140,000	122.0	813	82.50	7
GXH-190EDPT	<b>4349</b>	460	189	158,000	137.0	913	82.60	7



**Standard  
Equipment — Hot Water and Steam**

	PT	PZ	PPZT	PZT
Pre-assembled cast-iron heat exchanger with built-in air separator	X	X	X	X
Pre-assembled insulated flush jacket	X	X	X	X
Insulated base	X	X	X	X
Flue collector	X	X	X	X
Stainless steel gas burners, gas orifices and manifold assembly	X	X	X	X
Combination gas valve including manual shut-off, pressure regulator, pilot adj. & 100% shut-off, automatic pilot-thermocouple safety	X	X	X	X
Speed-skimmer trough		X		
Steam pressure limit control with siphon (unmounted)		X	X	X
Pressure gauge (unmounted)		X	X	X
Low water cut-off (unmounted) float type			X	X
Low water cut-off (mounted) electronic (Choice of Hydrolevel 400 or MM PS802-24)		X		
Water level sight glass (unmounted)		X	X	X
Steam pressure relief valve (ASME) 15 psi ¶		X	X	X
Hot water pressure relief valve (ASME) 30 psi ††		X		
Draft hood ** (Integral draft diverter, GXHA Models)	X	X	X	X
Drain cock	X	X	X	X
Transformer and junction box		X	X	X
Tankless heater	X			X
Low limit control				X
Altitude, pressure and temperature gauge	X			
3-way combination control (hi-limit circulator relay and lo-limit with differential)	X			
Circulator Taco 007 (GXH-105 thru GXH-190); Taco 0010 (GXH-230 thru GXH-300)	X	X	X	X
Flange for circulator; 1-1/4" (GXH-105 thru GXH-190)	X			
Circulator manifold	X			
Rollout safety switch	X	X	X	X
Blocked vent safety switch (unmounted except for GXHA)	X	X	X	X
Motorized vent damper (models with suffix "D")	X	X	X	X
Intermittent ignition pilot	X	X	X	X

Definition of model number suffixes:
E = Intermittent pilot ignition system
D = Motorized vent damper
PT = Packaged water boiler with tankless heater
PZ = Packaged steam boiler
PPZT = Packaged steam boiler with provision for tankless htr.
PZT = Packaged steam boiler with tankless heater

**FOOTNOTES—Hot Water and Steam Models:**

- \* Net ratings are based on a piping and pick-up allowance of 1.333 (steam) and 1.15 (hot water). Slant/Fin should be consulted before selecting a boiler for installation having unusual piping and pick-up requirements. Ratings must be reduced by 4% at 2,000 feet elevation and an additional 4% for every additional 1,000 feet elevation over 2,000 feet.
- † Add suffix PT for packaged water boiler with tankless heater, PZ for steam boiler, PZT for packaged steam boiler with tankless heater. Type of gas: after model number, specify gas by name "Natural" or "Propane".
- § Gross output rating (Btuh) and thermal efficiency.
- # Factory installed options.
- ¶ Maximum working pressure; 15 psi steam.
- †† Boilers are factory equipped with 30 psi A.S.M.E. relief valves. Boilers are rated for 50 psi working pressure. Specify boiler model number.
- \*\* Draft hood is shipped within crate for models up through GXH-125. For all larger sizes draft hood ships in a separate carton. For GXHA models, integral draft diverter is shipped within crate.
- ¢ For use with natural gas. For Propane (L.P.) gas consult factory.



**Steam models with**  
**INTERMITTENT PILOT and VENT DAMPER** (GXHA models have integral draft diverter)

Model No. †	Ratings for Nat. and LP Propane Gases				Ratings for Nat. and LP Propane Gases				AFUE %	Vent Size Nominal Diam. Inches
	PZ with no provision for Tankless Heater		PZT with Tankless Heater		Steam		Net Ratings*			
	Trade Price	Ship Wt.	Trade Price	Ship Wt.	C.S.A. Input (MBH)	D.O.E. Capacity (Btuh)	AHRI Steam (MBH)	AHRI Steam Sq. Ft.		
GXHA-100ED	<b>2722</b>	350	<b>3047</b>	370	100	81,000	61.0	254	81.00	5
GXHA-120ED	<b>2876</b>	360	<b>3216</b>	380	120	97,000	73.0	304	81.20	6
GXHA-160ED	<b>3390</b>	430	<b>3720</b>	450	160	130,000	98.0	408	81.20	6
GXHA-200ED	<b>3715</b>	495	<b>4057</b>	515	200	163,000	122.0	508	81.30	7
GXH-230ED	<b>3910</b>	500	<b>4236</b>	520	231	189,000	142.0	591	81.20	7
GXH-250ED	<b>4191</b>	550	<b>4522</b>	570	252	206,000	155.0	646	81.20	7
GXH-275ED	<b>4312</b>	555	<b>4645</b>	575	273	223,000	167.0	696	81.30	7
GXH-300HEDc	<b>4401</b>	555	<b>4711</b>	575	300	243,000§	182.0	758	81.00§	9

**DOE 2012 Compliant Control Features:**

- Thermal targeting technology to conserve fuel
- Near zero CO emissions
- LWCO function
- Circulator remains off until boiler water reaches 120°F to reduce potential of condensing
- Thermal pre-purge option
- LED display for operational info

**Optional Equipment**

	Order Code	Add		Order Code	Add
Base for combustible flooring:			<b>Propane (L.P.) options:</b>		
GXH-105 thru GXH-125 & GXHA-100	411-776	<b>55</b>	*** Propane (L.P.) factory installed,		
GXH-150 thru GXH-230 & GXHA-160 through 200	411-777	<b>59</b>	specify propane L.P. gas.	412-631	<b>33</b>
GXH-250 and GXH-300	411-779	<b>77</b>	Propane (for intermittent pilot)		
Hydrolevel feeder VXT-24 for Hydrolevel			(field assembly) kit natural gas to propane:		
L.W.C.O. only	410-820	<b>281</b>	GXH-105 thru GXH-275 models	414-528	<b>205</b>
Eliminate circulator from PT boiler only:			GXH-300 model	414-529	<b>205</b>
Boilers up to 200,000 Btu input	<b>Deduct</b>	<b>134</b>	Air package selection and prices, see page 28.		
Replace Taco 007 1-1/4" circulator on P or					
PT boilers(boilers up to 200,000 Btuh input) with:					
Grundfos UPS 15-58F 1-1/4" circulator	111-644	<b>N/C</b>			
B & G NRF 22 - 1-1/4" circulator	111-642	<b>N/C</b>			
Taco 0010 circulator	111-609	<b>85</b>			
Taco 110 1-1/4" circulator	111-617	<b>119</b>			
B & G model 100 1-1/4" circulator	111-640	<b>145</b>			





# Hot Water Boilers

# Victory II

VHS SERIES



## RATINGS AND PRICES

Model No.	Packaged Water Boiler (Nat. Gas or Propane) Intermittent Pilot		Ratings for Natural and L.P. Propane Gases				A.F.U.E. %	Pressure Venting Vent Size Diameter Inchest†	Chimney or Type "B" Vent Size †
	Trade Price	Ship Wt.	CSA Input (MBH)§	D.O.E. Capacity (Btu/h)	Net* AHRI Water (MBH)	Net** AHRI Water (Sq. Ft.)			
VHS-30EP	2195	182	30	26,000	23	153	84.5	3	-
VHS-60EP	2334	227	60	50,000	43	287	83.4	3	-
VHS-90EP	2499	272	90	75,000	65	433	82.8	3	5
VHS-120EP	2695	317	120	100,000	87	580	82.2	3	5
VHS-150EP	2979	363	150	125,000	109	727	82.1	3	5
VHS-180EP	3259	409	180	149,000	130	867	82.0	3	5

## Standard Equipment

**PACKAGED WATER BOILER** includes:  
 Pre-assembled cast-iron heat exchanger with built-in air eliminator Insulated Base  
 Pre-assembled insulated flush jacket  
 Gas burners, gas orifices and manifold assembly  
 Combination gas valve, including manual shut-off, pressure regulator and pilot adjustment  
 Intermittent pilot ignition system  
 Pressure and temperature gauge  
 LWCO function  
 Control w/LED and display

Pressure relief valve (ASME)‡  
 Circulator 1-1/4"  
 Drain cock  
 Inducer assembly  
 Air flow proving switch  
 Built-in condensate drain, trap and stainless steel vent pipe adapter  
 Rollout safety switch  
*For propane, specify when ordering.*

### DOE 2012 Compliant Control Features:

- Thermal targeting technology to conserve fuel
- Near zero CO emissions
- LWCO function
- Circulator remains off until boiler water reaches 120°F to reduce potential of condensing
- Thermal pre-purge option
- LED display for operational info

## Optional Equipment

	Heat-Fab Order Code	Slant/Fin Order Code	Add
3" diameter Saf-T EZ Seal venting system (AL 29-4C▲ stainless steel)			
6" long vent pipe	9301	455-020	27
12" long vent pipe	9302	455-021	36
18" long vent pipe	9304	455-022	47
24" long vent pipe	9305	455-023	59
37½" long vent pipe	9307	455-024	75
Elbow termination with screen	7314TERM	440-678	106
Support, 6" clearance	7323GCC	440-679	24
Support, 2" clearance	7323GC2	440-692	22
Support clamp	4327SS	440-680	22
45° elbow	9311	455-017	69
90° elbow	9314LR	455-019	87
90° elbow tight radius	9314	455-018	87
TEE termination with screen	7390TEE	440-683	105
Straight termination with screen	7392GC	660-548	40
6"-19" slip joint connector	9324	455-025	66
Inline condensate drain	9321	455-027	59
Fire stop	5318C1	440-685	99
Wall thimble for 5" - 8" wall (must be used with slip joint connector)		440-695	59
Sealant, GE-RTV 106, 3 oz. tube		440-690	16
Sealant, Dow Corning 732, 3 oz. tube		440-691	16
Sealant, Dow Corning 732, 10 oz. cartridge		440-693	21
Propane (L.P.) Options:			
Propane, L.P. factory installed. Specify PROPANE L.P. gas		111-689	N/C
Field Conversion Kits: Natural gas to propane		414-539	51
Propane to natural gas		415-539	51
Base for combustible flooring: VHS-60 & VHS-90		451-074	84
VHS-120 through VHS-180		451-075	93
Eliminate circulator		<b>Deduct</b>	<b>134</b>
Replace Taco 007 1-1/4" circulator with:	Grundfos UPS 15-58F 1-1/4" circulator	111-644	N/C
	B & G NRF 22-1-1/4"	111-642	N/C
	Taco 0010 circulator	111-609	85
	Taco 110 1-1/4" circulator	111-617	119
	B & G model 100 1-1/4" circulator	111-648	145

\* Net ratings are based on piping and pick-up allowance of 1.15. Slant/Fin should be consulted before selecting a boiler for installation having unusual piping and/or pick-up requirements.  
 § Inputs must be reduced by 4% at 2,000 feet elevation and an additional 4% for every additional 1,000 feet elevation over 2,000 feet.  
 \*\* Based on heat emission of 150 Btu per square foot.  
 ‡ Boilers are factory equipped with 30 psi A.S.M.E. relief valves. Boilers are rated for 50 psi working pressure.  
 † See publication VHS-40 for venting system materials and restrictions.

MAXIMUM EQUIVALENT FLUE LENGTH
40 ft. for all models
May differ for certain vent system manufacturers and altitudes. Vent terminal does not effect calculation of total equivalent length. See installation instructions, Pub. VHS-41

▲ AL 29-4C is a registered trademark of Allegheny Ludlum Corp.

**GAS**

**SEALED COMBUSTION-DIRECT VENT,  
SPARK IGNITION**

**Victory**  
VSPH SERIES



**Hot Water Boilers**  
with Termination Kit



**RATINGS AND PRICES**

Model No.	Packaged Water Boiler (Nat. Gas or Propane) Intermittent pilot		Ratings for Natural and L.P. Propane Gases				A.F.U.E. %	Vent Size Diameter Nominal†	Air Intake Nominal Diameter †
	Trade Price	Ship Wt.	C.S.A. Input (MBH)§	D.O.E. Capacity (Btuh)	Net* AHRI (MBH)	Net** AHRI (Sq. Ft.)			
VSPH-60	<b>2701</b>	258	60	52,000	45	300	86.1	3	3
VSPH-90	<b>2894</b>	308	90	78,000	68	453	85.7	3	3
VSPH-120	<b>3118</b>	358	120	103,000	90	600	85.5	3	3
VSPH-150	<b>3420</b>	414	150	128,000	111	740	85.2	3	3
VSPH-180	<b>3744</b>	460	180	154,000	134	893	85.1	3	3



**Standard Equipment**

Pre-assembled cast-iron heat exchanger with built-in air eliminator Insulated base  
Pre-assembled insulated flush jacket  
Gas burners, gas orifices and manifold assembly  
Combination gas valve, including manual shut-off, pressure regulator and pilot adjustment  
Integrated boiler control with built-in diagnostics  
Intermittent pilot ignition system  
Pressure and temperature gauge  
Pressure relief valve (ASME)‡

Circulator 1-1/4"  
Drain cock  
Inducer assembly  
Air flow proving switch  
Built-in condensate drain, trap and stainless steel vent pipe adapter  
Rollout safety switch  
Unitized vent terminal (requires straight termination with screen and slip joint connector; see below)  
*For propane, specify when ordering.*

**DOE 2012 Compliant Control Features:**

- Thermal targeting technology to conserve fuel
- Near zero CO emissions
- LWCO function
- Circulator remains off until boiler water reaches 120°F to reduce potential of condensing
- Thermal pre-purge option
- LED display for operational info

**Optional Equipment**

	Heat-Fab Order Code	Slant/Fin Order Code	Add
3" diameter Saf-T EZ Seal venting system (AL 29-4C▲ stainless steel)			
6" long vent pipe	9301	455-020	27
12" long vent pipe	9302	455-021	36
18" long vent pipe	9304	455-022	47
24" long vent pipe	9305	455-023	59
37½" long vent pipe	9307	455-024	75
Elbow termination with screen	7314TERM	440-678	106
Support, 6" clearance	7323GCC	440-679	24
Support, 2" clearance	7323GC2	440-692	22
Support clamp	4327SS	440-680	22
45° elbow	9311	455-017	69
90° elbow	9314LR	455-019	87
90° elbow tight radius	9314	455-018	87
TEE termination with screen	7390TEE	440-683	105
Straight termination with screen	7392GC	660-548	40
6"-19" slip joint connector	9324	455-025	66
Inline condensate drain	9321	455-027	59
Fire stop	5318C1	440-685	99
Wall thimble for 5" - 8" wall (must be used with slip joint connector)		440-695	59
Sealant, GE-RTV 106, 3 oz. tube		440-690	16
Sealant, Dow Corning 732, 3 oz. tube		440-691	16
Sealant, Dow Corning 732, 10 oz. cartridge		440-693	21
Propane (L.P.) Options:			
Propane, L.P. factory installed. Specify PROPANE L.P. gas		111-689	N/C
Field Conversion Kits: Natural gas to propane		414-539	51
Propane to natural gas		415-539	51
Base for combustible flooring: VSPH-60 & VSPH-90		451-074	84
VSPH-120 through VSPH-180		451-075	93
Eliminate circulator		<b>Deduct</b>	<b>134</b>
Replace Taco 007 1-1/4" circulator with:	Grundfos UPS 15-58F 1-1/4" circulator	111-644	N/C
	B & G NRF 22-1-1/4"	111-642	N/C
	Taco 0010 circulator	111-609	85
	Taco 110 1-1/4" circulator	111-617	119
	B & G model 100 1-1/4" circulator	111-648	145

\* Net ratings are based on piping and pick-up allowance of 1.15. Slant/Fin should be consulted before selecting a boiler for installation having unusual piping and/or pick-up requirements.  
§ Inputs must be reduced by 4% at 2,000 feet elevation and an additional 4% for every additional 1,000 feet elevation over 2,000 feet.  
\*\* Based on heat emission of 150 Btu per square foot.  
‡ Boilers are factory equipped with 30 psi A.S.M.E. relief valves. Boilers are rated for 50 psi working pressure.  
† See publication VSPH-40 for venting and air intake system materials and restrictions.

MAXIMUM EQUIVALENT FLUE LENGTH	
VSPH-60, 90 & 120:	40 ft.
VSPH-150:	35 ft.
VSPH-180:	33 ft.
May differ for certain vent system manufacturers and altitudes. Vent terminal does not effect calculation of total equivalent length. See installation instructions, Pub. VSPH-40	

▲ AL 29-4C is a registered trademark of Allegheny Ludlum Corp.  
⊗ Required with unitized vent terminal for through the wall venting.



# VSL Series - Modulating Condensing Stainless Steel Gas Boiler

(With Domestic Hot Water Generator option) Wall Mount Only



## Victory

VSL SERIES

### RATINGS AND PRICES

Model No.	Packaged Water Boiler (Nat. Gas or Propane) Intermittent Pilot		Ratings for Natural and L.P. Propane Gases				A.F.U.E. %	Water Volume
	Trade Price	Ship Wt.	C.S.A. Input Max (MBH)	C.S.A. Input Min (MBH)	D.O.E. Capacity (MBH)	Net AHRI (MBH)		
VSL-160B	4836	93 lbs	160	30	142,000	123	93	1.2
VSL-160C	5678	125 lbs	160	30	142,000	123	93	Gal



### Standard Equipment

Stainless steel heat exchanger  
Pre-assembled jacket  
Stainless Pre-Mix burner  
Patented Premix Cosmomix System  
Integrated boiler control with built-in diagnostics  
Direct spark ignition system  
Pressure gauge  
Air vent

Tank sensor for indirect heater (160B only)  
Pressure relief valve (ASME) - 30 lbs.  
Outdoor reset sensor  
Built-in condensate drain and trap  
Wall hanging bracket  
Natural gas - field convertible to LP (no extra kit required)

#### Combi Unit Includes - (VSL-160C)

- Expansion tank
- Circulator (Grundfos UP15-58U)
- Domestic hot water heat exchanger
- Diverter valve

### Optional Equipment

#### Split system venting components

	Part Number	List
Boiler adaptor for split system (80 mm)	819001	73
<b>AND</b>		
80 mm to 3 1/2" eccentric adaptor for use w/CPVC pipe	819187	55
<b>OR</b>		
90 degree M/F elbow (80 mm) for polypropylene pipe	819003	24

Note: Concentric venting kit consists of following items-  
Boiler adaptor for concentric venting  
Concentric pipe, 3 Ft long  
Concentric pipe, 3 Ft long with sidewall termination  
90 degree concentric elbow

OR

#### Concentric system venting components

Concentric venting kit (see note)	819004	278
Concentric vertical termination	819005	188

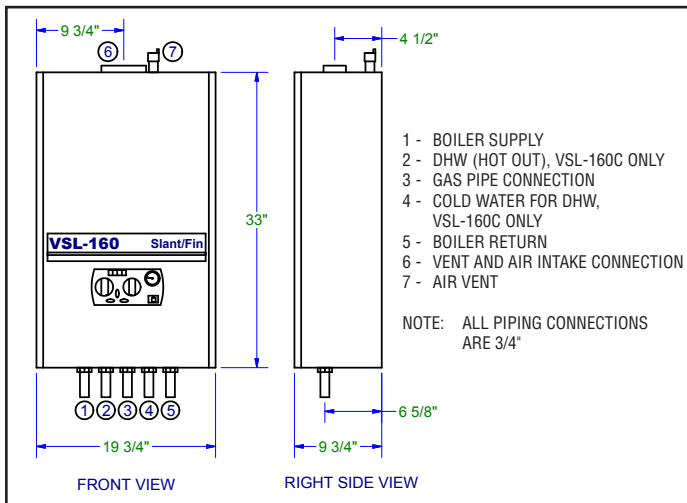


Figure 1. Dimensions data



Fig 2. Victory VSL-160

#### DHW Temp. Rise vs. Water Flow (VSL-160C)

Temp. Rise $\Delta t$ °F	DHW Flow Rate - GPM
60	5.0
75	4.0



### VSL VENT/AIR INTAKE OPTIONS

Concentric or separate vent and air piping may be used for venting of the VSL Boilers

#### Separate Vent & Air Piping:

Special Adapter is required, available through Slant/Fin  
Venting Material: 3" CPVC sch. 40, 3" nominal Polypropylene or SS

Air Intake Material: 3" PVC sch. 40, 3" nominal Polypropylene or SS  
Max allowed equivalent length 300 ft. (total of the flue plus air intake pipes)

#### Concentric (Coaxial) Piping System:

Components available through Slant/Fin  
Vent/Air Intake Material: 3.94"x 2.36" Polypropylene  
Max allowed equivalent length 70 ft.

**GAS**

**HIGH EFFICIENCY**

**CHS**  
CHS SERIES

**CHS Series - Modulating Condensing  
Stainless Steel Gas Boiler**

Wall Mount or Free Standing with optional floor stand



**RATINGS AND PRICES**

Model	List	C.S.A. Max Input NG/LP (MBH)	C.S.A. Min Input NG/LP (MBH)	D.O.E. Capacity (MBH)	Net AHRI (MBH)	A.F.U.E. %	Vent Diameter Inches	Max Vent Length NG/LP (Ft)	Approx. Water Content (Gal.)	Shipping Weight
CHS-85	<b>4387</b>	85/88	17/17.6	78	68	96.0	3/2 <sup>•</sup>	150**	3.2	125
CHS-110	<b>4586</b>	108/113	21.6/22.6	99	86	95.0	3/2 <sup>•</sup>	150**	3.2	125
CHS-155	<b>5999</b>	155	31	144	125	95.6	3	100	4.9	170
CHS-175	<b>6226</b>	175	35	162	141	95.4	3	100	4.9	170
CHS-200	<b>6560</b>	200	40	184	160	95.3	3	100	4.9	170
CHS-250	<b>7240</b>	250	50	229	199	95.0	3	100	4.9	170
CHS-300	<b>10260</b>	299	79.8	275	239	96.5	4	100	6.4	247
CHS-399	<b>11398</b>	399	79.8	378 <sup>†</sup>	329	95.0*	4	100	6.4	247

\*\* Max length of 150' for 3" venting only † Gross output \* CHS399 efficiency is Combustion Efficiency • Reducer required

**Standard Equipment**

Stainless steel fire tube heat exchanger  
Pre-assembled jacket  
Stainless, metal fiber burner  
Multi-functional LED control with built-in auto-diagnostics

Special spark ignition system  
Pressure gauge  
Air vent  
Pressure relief valve (ASME) - 30 lbs.

Outdoor reset sensor  
Condensate drain and trap  
Wall hanging bracket  
Field convertible to L.P. Gas – kit included



**Optional Equipment**

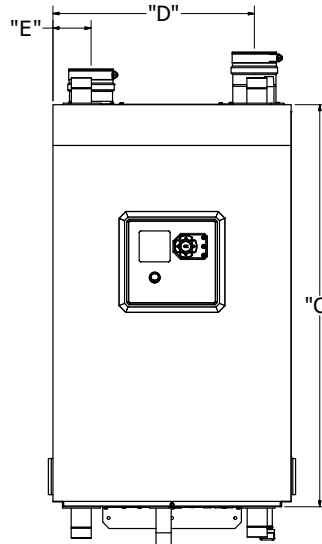
	Order Code	Add
3" Low Profile Vent Terminal 85-250 Flush Mount	818172	<b>63</b>
4" Low Profile Vent Terminal 300-399 Flush Mount	818174	<b>63</b>
3" Concentric Vent Terminal 85-250	818173	<b>228</b>
4" Concentric Vent Terminal 300-399	818175	<b>540</b>
Storage Tank Sensor	818176	<b>61</b>
System / Pipe Sensor for cascading boilers	818146	<b>48</b>
Floor Stand	818171	<b>320</b>
CHS-300 & CHS-399 Only - Optional relief valve kit (Includes pressure gauge & relief valve)		
50 psi	818100	<b>25</b>
75 psi	818101	<b>25</b>



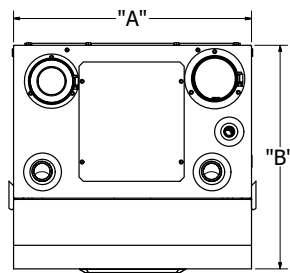
CHS Series Boiler

**DIMENSIONS**

MODEL	"A"	"B"	"C"	"D"	"E"
CHS-85	19 3/4	14 1/2	33 3/8	16 7/8	3 5/8
CHS-110					
CHS-155					
CHS-175	19 3/4	18 1/2	33 3/8	16 3/4	3
CHS-200					
CHS-250					
CHS-300	25	20	36 3/8	22 1/2	3 7/8
CHS-399					



CHS Venting Material  
PVC, CPVC, Polypropylene or Stainless Steel



TOP

FRONT



\* 5 year parts and labor warranty excludes 300-399 models



**Now available in  
3 popular sizes!**

**Lynx Modulating  
Condensing Gas Boiler**  
Floor Standing or Wall Mount



**Lynx**  
SERIES

**RATINGS AND PRICES**

Model No.	Packaged Water Boiler (Nat. Gas or Propane) Intermittent Pilot		Ratings for Natural and L.P. Propane Gases				A.F.U.E. %	Vent Size Diameter Nominal	Air Intake Nominal Diameter
	Trade Price	Ship Wt.	Input Max (MBH)	Input Min (MBH)	D.O.E. Capacity (MBH)	Net AHRI (MBH)			
LX-90	<b>4167</b>	118 lbs	90	25	80	70	95	3	3
LX-120	<b>4989</b>	125 lbs	120	30	106	92	95	3	3
LX-150	<b>5689</b>	140 lbs	150	37.50	133	116	95	3	3

**DOE  
SEPT. 2012  
COMPLIANT**

**Standard  
Equipment**

Pre-assembled cast-aluminum mono block heat exchanger  
Pre-assembled jacket  
Woven metal fiber pre-mix burner  
Combination blower, gas valve and venturi  
Integrated boiler control with built-in diagnostics  
Direct spark ignition system  
Pressure gauge  
Outdoor reset sensor

Pressure relief valve (ASME)  
Taco 0011 circulator (optional Grundfos 2699)  
Drain cock  
Built-in condensate drain and trap  
Vent and air intake terminal  
Wall mounting kit  
Optional- 409-999 Rhogard (5 gal.) Anti-freeze **200**  
*For propane, specify when ordering.*

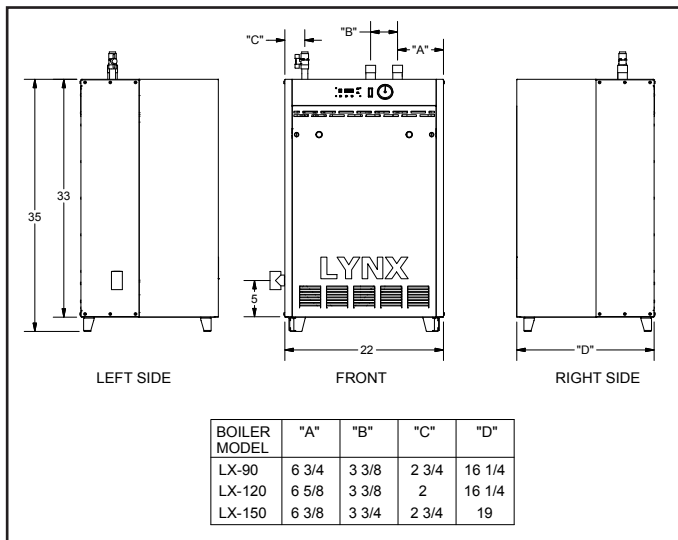


Figure 1. Dimensions data

**Free  
Year  
Parts &  
Labor  
Warranty**  
when registered  
upon installation.



Figure 2. Lynx Boiler (LX-90)

SPECIFICATIONS		BOILER MODEL		
		LX-90	LX-120	LX-150
Input Rate, Btu/Hr	Max.	90,000	120,000	150,000
	Min.	25,000	30,000	37,500
Water Piping Connection		1" NPT (Male)		
Gas Piping Connection		1/2" NPT (Female)		
Vent and Air Intake Connection		3" Nominal ID Pipe (PVC, CPVC or SS)		
Gas Orifice Size for Natural Gas		No Orifice Used		
Gas Orifice Size for Propane		0.1900" Code # C	0.2025" Code # A	0.2200" Code # E
Boiler Water Volume	Gal.	0.4	0.6	1.1
Weight of Boiler (Uncrated)	Lbs.	118	125	140



Figure 3. Lynx Heat Exchanger

**GAS**

**HIGH EFFICIENCY**

**Lynx**  
COMBI SERIES



**Lynx Combi Boiler  
Modulating Condensing Gas Boiler**

(With Domestic Hot Water Generator) Floor Standing or Wall Mount



**DOE  
SEPT. 2012  
COMPLIANT**

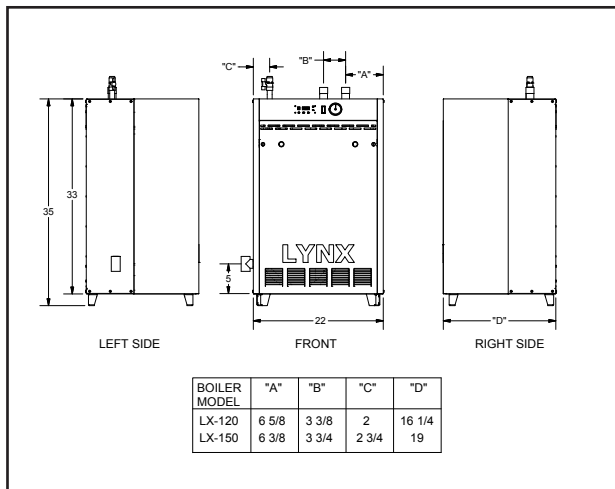
**RATINGS AND PRICES**

Model No.	Packaged Water Boiler (Nat. Gas or Propane) Intermittent Pilot		Ratings for Natural and L.P. Propane Gases				A.F.U.E. %	Vent Size Diameter Nominal	Air Intake Nominal Diameter
	Trade Price	Ship Wt.	C.S.A. Input Max (MBH)	C.S.A. Input Min (MBH)	D.O.E. Capacity (MBH)	Net AHRI (MBH)			
LX-120CB	<b>6086</b>	147 lbs	120	30	106,000	92	95	3	3
LX-150CB	<b>6786</b>	162 lbs	150	37.5	133,000	116	95	3	3

**Standard Equipment**

- Pre-assembled cast-aluminum mono block heat exchanger
- Pre-assembled jacket
- Woven metal fiber pre-mix burner
- Combination blower, gas valve and venturi
- Integrated boiler control with built-in diagnostics
- Direct spark ignition system
- Pressure gauge
- Outdoor reset sensor
- Pressure relief valve (ASME)
- Taco 0011 circulator
- Drain cock
- Built-in condensate drain and trap
- Vent and air intake terminal
- Wall mounting kit
- Optional- 409-999 Rhogard (5 gal.) Anti-freeze **200**
- Brazed Plate heat exchanger
- Flow Switch
- Built in Taco 0011 Circulator

*For propane, specify when ordering.*



**Figure 1. Dimensions data**



**Fig 2. Lynx Boiler (LX-120 CB)**

**Free  
5 Year  
Parts &  
Labor  
Warranty**  
when registered upon installation.

SPECIFICATIONS		BOILER MODEL	
		LX-120CB	LX-150CB
Input Rate, Btu/Hr	Max.	120,000	150,000
	Min.	30,000	37,500
Boiler Water Piping Connections		1" NPT (Male)	
Gas Piping Connection		1/2" NPT (Female)	
DHW (Cold in and Hot out) Connection		3/4" nom. ID Copper	
Vent and Air Intake Connection		3" Nominal ID Pipe (PVC, CPVC or SS)	
Gas Orifice Size for Natural Gas		No Orifice Used	
Gas Orifice Size for Propane		0.2025" Code # A	0.2200" Code # E
Boiler Water Volume	Gal.	0.6	1.1
Weight of Boiler (Uncrated)	Lbs.	125	140

Temp. Rise $\Delta t$ -°F	DHW Temp. Rise vs. Water Flow	
	DHW Flow Rate - GPM	
	LX-120CB Boiler	LX-150CB Boiler
100	2.0	2.3
80	2.5	3.3
70	3.0	4.0
60	3.5	4.5
55	4.0	5.0



# Jaguar Modulating Condensing Residential/Commercial Gas Boilers

Efficiency up to 96.7% Floor Standing

# JAGUAR

J390 SERIES

**RATINGS AND PRICES**

Model No.	Natural Gas Intermittent Pilot		Ratings for Natural Gas				Vent Size Nominal Diameter	Air Intake Nominal Diameter
	Trade Price	Ship Wt.	C.S.A. Input Max (mbh)	C.S.A. Input Min (mbh)	Gross Output (mbh)	Net AHRI (mbh)		
J-390	<b>10806</b>	300 lbs.	390	110	352	306	4"	4"



**Standard Equipment**

Cast-aluminum mono-block heat exchanger  
 Pre-assembled jacket  
 Woven metal fiber pre-mix burner  
 Blower, gas valve and venturi  
 Integrated boiler control with built-in diagnostics and display  
 Direct spark ignition system  
 Pressure gauge

Pressure relief valve - 30 P.S.I. (ASME)  
 Taco 2400-20 circulator for Primary loop  
 Drain cock  
 Optional- 409-999 Rhogard (5 gal.) Anti-freeze **200**  
 Built-in condensate drain and trap  
 Vent terminal  
 Outdoor reset sensor

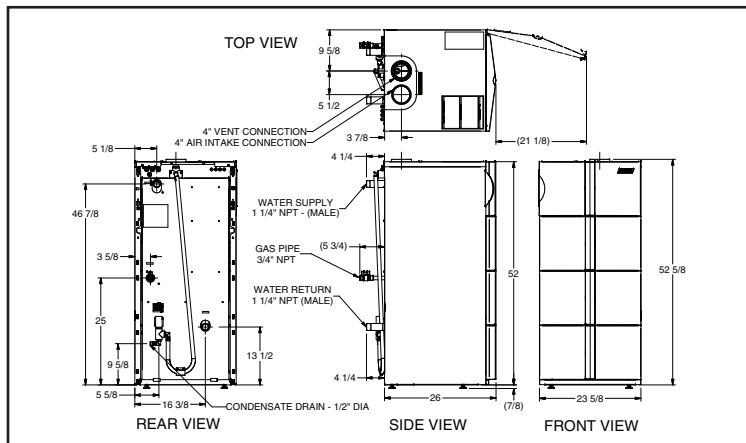


Figure 1. Dimensions data

**Optional Equipment:**

50 P.S.I. Pressure Relief Valve in place of 30 P.S.I. Pressure Relief Valve - No Additional Charge (Call Factory)

Supply Water Sensor required to use built-in Cascade feature to control up to 8 boilers. **Order Code** 833-433 **Trade Price** 43

Interface to use external step control supplying 0 to 10 V (dc) signal to boilers in multiple boiler applications. **Order Code** 830-130 **Trade Price** 220

Rhogard Anti-Freeze, 5 Gallons. **Order Code** 409-999 **Trade Price** 200

**SPECIFICATIONS FOR J-390 BOILER**

<b>Fuel Rate Input:</b>	390,000 BTUH maximum 110,000 BTUH minimum
<b>Gross Output:</b>	352 MBH maximum 106 MBH minimum
<b>Net AHRI:</b>	306 MBH maximum 92 MBH minimum
<b>Combustion Efficiency:</b>	91.6% at maximum input 96.7% at minimum input
<b>Thermal Efficiency:</b>	90.2% at maximum input 96.1% at minimum input
<b>Boiler Water Volume:</b>	2.0 gallon (16.5 lbs)
<b>Maximum Working Pressure:</b>	50 P.S.I. Water (A.S.M.E)
<b>Supply &amp; Return Connections:</b>	1 1/4" NPT (male)
<b>Gas Piping Connection:</b>	3/4" NPT (female)
<b>Vent Connection:</b>	4" nominal I.D. pipe (PVC, CPVC or stainless steel)
<b>Air Intake Connection:</b>	4" nominal I.D. pipe (PVC, CPVC or stainless steel)
<b>Weight of Boiler (uncrated):</b>	190 lbs.

\*Note: No orifice changes are required for high altitude installations.



Figure 2. Jaguar Boiler

# OIL

## Intrepid TR SERIES

## Hot Water Boilers Packaged



### RATINGS AND PRICES

Model No.	P Packaged Boiler		PPT Packaged Boiler with provision for Tankless Htr.		PT Packaged Boiler with Tankless Htr.		Ratings for No. 2 Oil					Tankless Heater GPM‡	AHRI Chimney Size (in.x in.x ft.)	Thermal Efficiency %
	Trade Price	Ship Wt.	Trade Price	Ship Wt.	Trade Price	Ship Wt.	AHRI Firing Rate GPH*	D.O.E. Capacity (Btuh)	AHRI Net Rating† (MBH)	AFUE %				
TR-20	2568	392	2723	391	2823	401	0.75	91,000	79	85.10	2.20	8x8x15	—	
TR-30H	2950	479	3062	478	3213	488	1.00	121,000	105	86.00	3.00	8x8x15	—	
TR-30-1.10	2950	479	3062	478	3213	488	1.10 1.25	134,000 151,000	117 131	84.80 84.30	3.20 3.40	8x8x15 8x8x15	— —	
TR-40H	3510	566	3619	560	3789	575	1.50	182,000	158	86.00	3.80	8x8x15	—	
TR-40-1.60	3510	566	3619	560	3789	575	1.60 1.80	195,000 218,000	170 190	84.40 84.20	3.90 4.15	8x8x15 8x8x15	— —	
TR-50H	4163	673	4300	667	4467	682	2.00	243,000	211	86.00	4.40	8x8x15	—	
TR-50-2.10	4163	673	4300	667	4467	682	2.10 2.35	256,000 272,000§	223 237	84.00 85.20§	4.40 4.70	8x8x15 8x12x15	— 82.70	
TR-60-2.60	4725	759	4861	751	5064	771	2.60 2.75	301,000§ 316,000§	261 275	84.80§ 84.50§	4.90 5.20	8x12x15 8x12x15	82.70 82.10	
TR-70-3.10* (No Circulator)	5077	825	5257	817	5460	837	3.10	358,000§	311	84.70§	5.45	8x12x15	82.40	

\*TR-70 is less circulator.

### Standard Equipment

	P	PPT	PT		P	PPT	PT
Pre-assembled cast-iron heat exchanger	X	X	X	Flue brush (in carton)	X	X	X
Heavy Duty Jacket with insulation	X	X	X	Combination hi-limit control and circulator relay (TR-20 thru TR-60)	X		
Combustion chamber (Swing out door insulation and target wall)	X	X	X	Tankless water heater			X
Large pressure and temperature gauge	X	X	X	Cover plate instead of tankless heater		X	
Pressure relief valve (ASME) (in carton) ††, ¶	X	X	X	Solid wall front section (no provision for tankless heater)	X		
Flame retention oil burner with nozzle, primary relay and cadmium sulfide flame detector	X	X	X	Combination hi and lo-limit control circulator relay (TR-20 thru TR-60)		X	X
Circulator, Taco 007, with 1-1/4" flange (TR-20 thru TR-40); Taco 0010 with 1-1/2" flange (TR-50 thru TR-60) (No circulator supplied with TR-70)	X	X	X	Hi and lo-limit control (TR-70)		X	X
Draft regulator (in carton)	X	X	X	Hi-limit control (TR-70)	X		
Drain cock	X	X	X	Swing out door	X	X	X
Front mount service switch	X	X	X	Inspection door	X	X	X
				Disconnect plug	X	X	X

### Optional Equipment

Order Code	Add	Order Code	Add
Riello Burner: TR-30	270	Taco 0010 circulator	111609 85
TR-40 and TR-50	649	Taco 110 1-1/4" circulator	111617 119
		B&G 100 1-1/4" circulator	111640 145
# Two-stage fuel pump in place of single-stage fuel pump (not available with Riello burners)	111639 87	Replace Taco 0010 circulator (for models TR-50 and TR-60 P or PT) with:	
Eliminate circulator from P and PT boiler ONLY:		Taco 110 1-1/4" circulator	111614 38
1-1/4" (TR-20 thru TR-40 ONLY)	Deduct 134	B&G 100 1-1/4" circulator	111615 61
1-1/2" (TR-50 and TR-60 ONLY)	Deduct 166	Extra for N.Y.C. BAR KIT (TR-60 and TR-70)	111907 538
		Air package selection and prices, see page 28.	
Replace Taco 007 1-1/4" circulator (for models TR-20 and TR-30 P or PT; TR-40 P or PT) with:			
B&G NRF 22-1-1/4" circulator	111642 N/C		
Grundfos UPS 15-58F 1-1/4" circulator	111644 N/C		

† Net ratings are based on piping and pick-up allowance of 1.15. Slant/Fin should be consulted before selecting a boiler for installation having unusual piping and/or pick-up requirements. Ratings must be reduced by 4% at 2,000 feet elevation and an additional 4% for every additional 1,000 feet elevation over 2,000 feet.

†† Boilers are factory equipped with 30 psi ASME relief valves. Boilers are rated for 50 psi working pressure.

‡ Tankless heater rating based on intermittent draw.

▲ Two-stage pump not available with Riello burners

§ AHRI gross output (Btuh) and combustion efficiency

# Factory installed options.

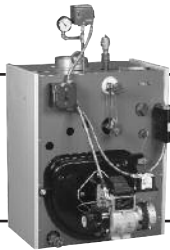
\* Light oil, 140,000 Btu per gallon.

¶ "P" boilers with no provision for tankless heater are factory equipped with 30 psi ASME relief valves. Boilers are rated for 100 psi and may be ordered with 50 psi or 100 psi relief valves. Consult factory for price.

AVAILABLE INTREPID BURNERS			
	Beckett	Carlin	▲ Riello
TR-20	AFG	99FRD	—
TR-30	AFG	99FRD/EZ 1 Pro	F-5
TR-30H	—	99FRD	F-5
TR-40	AFG	99FRD	F-10
TR-40H	—	99FRD	F-10
TR-50	AFG	99FRD	F-10
TR-50H	—	99FRD	F-10
TR-60	375	102CRD	—
TR-70	375	102CRD	—

Riello burners are optional and have an add-on cost. See price above under optional equipment.





# Steam Boilers

Packaged



# Intrepid

TR SERIES



**RATINGS AND PRICES**

Model No.	PZ Packaged Steam Boiler		PZT Packaged Steam Boiler with Tankless Heater		Ratings for No. 2 Oil					Tankless Heater GPM‡	AHRI Chimney Size (in.x in.x ft.)	Thermal Efficiency %
	Trade Price	Ship Wt.	Trade Price	Ship Wt.	AHRI Firing Rate GPH*	D.O.E. Capacity (Btuh)	AHRI Net Rating† (MBH)	Net Rating¶ (Sq. Ft.)	AFUE %			
TR-30	<b>3128</b>	473	<b>3498</b>	493	1.10	134,000	101	421	84.10	3.00	8x8x15	—
TR-40H	<b>3658</b>	559	<b>4031</b>	579	1.50	179,000	134	558	84.00	3.40	8x8x15	—
TR-40	<b>3658</b>	559	<b>4031</b>	579	1.60	195,000	146	608	83.80	3.50	8x8x15	—
TR-50H	<b>4331</b>	651	<b>4703</b>	671	2.00	239,000	179	746	84.00	3.90	8x8x15	—
TR-50	<b>4331</b>	651	<b>4703</b>	671	2.10	255,000	191	796	83.40	4.00	8x8x15	—
TR-60	<b>4892</b>	737	<b>5270</b>	757	2.60	311,000§	233	971	85.10§	4.50	8x12x15	85.50
TR-70	<b>5248</b>	825	<b>5621</b>	845	3.10	361,000§	271	1129	84.30§	5.00	8x12x15	83.30

**Standard Equipment**

	PZ	PZT		PZ	PZT
Pre-assembled cast-iron heat exchanger	X	X	Low water cut-off, M & M PS-801 (installed)	X	X
Heavy Duty jacket with insulation	X	X	Tankless water heater		X
Combustion chamber (2 parts)	X	X	Low limit control		X
Pressure relief valve (ASME) (in carton) ††	X	X	Cover plate instead of tankless heater	X	
Flame retention oil burner with nozzle, primary relay and cadmium sulfide flame detector	X	X	Pressuretrol with siphon (in carton)	X	X
Draft regulator (in carton)	X	X	Swing out door	X	X
Drain cock	X	X	Inspection door	X	X
Flue brush (in carton)	X	X	Disconnect plug	X	X
Front mounted service switch	X	X	Steam gauge and trimmings (in carton)	X	X
			Glass gauge	X	X

**Optional Equipment**

For PZ and PZT Models	Order Code	Add
Pressure control, PA404A	111646	<b>78</b>
# Two-stage fuel pump in place of single-stage fuel pump (not available with Riello burners)	111639	<b>87</b>
M&M 67 LWCO instead of McDonnell PS-801	111690	<b>37</b>
Water feeder-McDonnell & Miller WF 2-120 (for PS-801-120 electronic LWCO ONLY)	430131	<b>416</b>
Extra for N.Y.C. BAR KIT (LD-60 and LD-70)	111907	<b>538</b>
Riello Burner: TR-30		<b>270</b>
TR-40(H) and TR-50(H)		<b>649</b>

† Net ratings are based on piping and pick-up allowance of 1.333. Slant/Fin should be consulted before selecting a boiler for installation having unusual piping and/or pick-up requirements. Ratings must be reduced by 4% at 2,000 feet elevation and an additional 4% for every additional 1,000 feet elevation over 2,000 feet.  
 ¶ Net steam ratings in square feet based on emission rate of 240 Btuh/sq. ft.

‡ Tankless heater rating based on intermittent draw.  
 § AHRI gross output (Btuh) and combustion efficiency.  
 # Factory installed option.  
 †† Maximum working pressure, 15 psi steam.  
 \* Light oil, 140,000 Btu per gallon.

AVAILABLE INTREPID BURNERS			
	Beckett	Carlin	▲ Riello
TR-30	AFG	99FRD/EZ 1 Pro	F-5
TR-40	AFG	99FRD	F-10
TR-40H	—	99FRD	F-10
TR-50	AFG	99FRD	F-10
TR-50H	—	99FRD	F-10
TR-60	375	102CRD	—
TR-70	375	102CRD	—

Riello burners are optional and have an add-on cost. See price above under optional equipment.

# OIL

## Intrepid TR SERIES

## Hot Water Boilers

Knocked-down Boilers (WKD) and  
Knocked-down Boiler/Burner Units (WU)



**NOTE:** Models below are approved for use ONLY with oil burners described in Slant/Fin publication TR-42KB ("APPROVED OIL BURNERS" for K.D. boilers and K.D. boiler/burner units).  
The AFUE's shown on page 16 for packaged Intrepid water boilers are attainable on knocked-down boilers if the above "APPROVED OIL BURNERS" are used as specified in publication TR-42KB.

### RATINGS AND PRICES



Model No.	WU Knocked-down Boiler/Burner Unit †		WKD Knocked-down Basic Boiler		Ratings for No. 2 Oil			Optional Tankless Heater GPM‡	AHRI Chimney Size (in.x in.x ft.)	AFUE % (WU Models)
	Trade Price	Ship Wt.	Trade Price	Ship Wt.	AHRI Firing Rate GPH*	D.O.E. Capacity (Btuh)	AHRI Net Rating† (MBH)			
TR-20	2377	376	1740	340	0.75	91,000	79	2.20	8x8x15	85.10
TR-30-1.10	2750	463	1951	427	1.10	134,000	117	3.20	8x8x15	84.80
					1.25	151,000	131	3.40	8x8x15	84.30
TR-40-1.60	3245	550	2340	514	1.60	195,000	170	3.90	8x8x15	84.40
					1.80	218,000	190	4.15	8x8x15	84.20
TR-50-2.10	3899	657	2949	621	2.10	256,000	223	4.40	8x8x15	84.00
					2.35	272,000§	237	4.70	8x12x15	82.70§
TR-60-2.60	4435	741	3375	700	2.60	298,000§	259	3.90	8x8x15	82.70§
					2.85	327,000§	284	4.15	8x12x15	82.10§
TR-70-3.10	4937	807	3776	766	3.10	354,000§	308	5.45	8x8x15	82.40§

### Standard Equipment

	WU	WKD		WU	WKD
Assembled sections	X	X	Drain cock	X	X
Jacket with insulation	X	X	Cover plate and gasket for tankless opening (installed)	X	X
Combustion chamber, installed (L-30 thru L-50)	X	X	Flue brush	X	X
Pressure and temperature gauge	X	X	Hi-limit control (L-4080B)	X	X
Pressure relief valve (ASME) ††	X	X	Burner mounting plate (installed)	X	X
Flame retention oil burner with nozzle, primary relay and cadmium sulfide flame detector	X	X	Inspection door	X	X
Draft regulator	X	X	Flue collector	X	X

### Optional Equipment

	Order Code	Add
# Two-stage fuel pump in place of single-stage fuel pump (WU only)	111-639	87
Tankless water heater (unmounted) boiler model: TR-30	432-233	234
TR-40 and TR-50	432-234	246
Deduct for tankless cover plate and gasket for water boiler (WU or WKD)	<b>Deduct</b>	<b>52</b>
Add for EXTRA tankless cover plate and gasket for water boiler (WU or WKD)	432-219	52
Extra for N.Y.C. Bar Kit (TR-60, TR-70)	111-907	538

Air package selection and prices, see page 28.

### Optional Controls\*\*

For WU and WKD Models	Order Code	Add
Additional high limit L-4080B and well	432-280	74
Deduct for high limit L-4080B and well (supplied with WU only-not available with Riello burners)	<b>Deduct</b>	<b>74</b>
High/low limit L-4081A and well. For boilers with tankless heaters.		
No circulator relay.	432-281	147
High limit with circulator relay L-8148A and well.	432-282	156
High/low limit with circulator relay L-8124C and well. For boilers with tankless heaters.	432-283	234

\*\* Prices for optional controls above apply only when purchased with a boiler (one control per boiler) on the boiler purchase order.

† Net ratings are based on piping and pick-up allowance of 1.15. Slant/Fin should be consulted before selecting a boiler for installation having unusual piping and/or pick-up requirements.

Ratings must be reduced by 4% at 2,000 feet elevation and an additional 4% for every additional 1,000 feet elevation over 2,000 feet.

†† Boilers are factory equipped with 30 psi ASME relief valves. Boilers are rated for 50 psi working pressure.

‡ Tankless heater rating based on intermittent draw.

§ AHRI gross output (Btuh) and thermal efficiency.

# Factory installed options.

\* Light oil, 140,000 Btu per gallon.

¶ Beckett or Carlin burner is standard on all WU models.

### AVAILABLE INTREPID BURNERS FOR WU ONLY

	Beckett	Carlin	Riello
TR-20	AFG	99FRD	—
TR-30	AFG	99FRD/EZ 1 Pro	F-5
TR-30H	—	99FRD	F-5
TR-40	AFG	99FRD	F-10
TR-40H	—	99FRD	F-10
TR-50	AFG	99FRD	F-10
TR-50H	—	99FRD	F-10
TR-60	375	102CRD	—
TR-70	375	102CRD	—

Riello burners are optional and have an add-on cost. See price above under optional equipment.



# Steam Boilers

Knocked-down Boilers (SKD) and  
Knocked-down Boiler/Burner Units (SU)



# Intrepid

TR SERIES

**NOTE:** Models below are approved for use ONLY with oil burners described in Slant/Fin publication TR-42KB ("APPROVED OIL BURNERS" for K.D. boilers and K.D. boiler/burner units).  
The AFUE's shown on page 17 for packaged Intrepid steam boilers are attainable on knocked-down boilers if the above "APPROVED OIL BURNERS" are used as specified in publication TR-42KB.

## RATINGS AND PRICES



Model No.	SU Knocked-down Boiler/Burner Unit ¶		SKD Knocked-down Basic Boiler		Ratings for No. 2 Oil					AFUE % (SU Models)	
	Trade Price	Ship Wt.	Trade Price	Ship Wt.	AHRI Firing Rate GPH*	D.O.E. Capacity (Btuh)	AHRI Net Rating† (MBH)	Net Rating (Sq. Ft.)	Tankless Heater GPM‡		AHRI Chimney Size (in.x in.x ft.)
TR-30	2679	469	1917	432	1.10	134,000	101	421	3.00	8x8x15	84.10
TR-40	3152	555	2292	518	1.60	195,000	146	608	3.50	8x8x15	83.80
TR-50	3789	647	2883	610	2.10	255,000	191	796	4.00	8x8x15	83.40
TR-60	4310	733	3645	696	2.60	289,000§	224	933	4.50	8x12x15	85.50§
TR-70	4635	84	3617	784	3.10	354,000§	266	1108	5.00	8x12x15	83.30§

## Standard Equipment

	SU	SKD		SU	SKD
Assembled sections	X	X	Flue brush	X	X
Jacket with insulation	X	X	Cover plate and gasket for tankless opening (installed)	X	X
Combustion chamber (installed)	X	X	Pressure relief valve with siphon	X	X
Pressure relief valve (ASME) ††	X	X	Burner mounting plate (installed)	X	X
Flame retention oil burner with nozzle, primary relay and cadmium sulfide flame detector	X		Inspection door assembly	X	X
Draft regulator	X		Steam pressure gauge	X	X
Drain cock	X	X	Water level gauge glass set	X	X

## Optional Equipment

	Order Code	Add
# Extra for two-stage fuel pump in place of single-stage fuel pump (SU ONLY-not available with Riello burners)	111-639	87
Tankless water heater and gasket (unmounted)	432-230	386
Deduct for tankless cover plate and gasket for steam boiler (SU or SKD)	<b>Deduct</b>	<b>70</b>
Add for EXTRA tankless cover plate and gasket for steam boiler (SU or SKD)	432-220	70
Low limit control and well for tankless water heater L4006A	432-269	96
Low water cut-off, float type No. 67SFL McDonnell. Fittings for complete installation are included	432-270	290
Alternate low water cut-off No. PS 801-120 McDonnell electronic low water cut-off	430-130	235
Pressure cut-out with siphon. Included with SU, EXTRA for SKD	400-117	112
Extra for N.Y.C. Bar Kit (TR-60, TR-70)	111-907	538
Riello Burner:	TR-30	270
	TR-40(H) and TR-50(H)	649

† Net ratings are based on piping and pick-up allowance of 1.15. Slant/Fin should be consulted before selecting a boiler for installation having unusual piping and/or pick-up requirements. Ratings must be reduced by 4% at 2,000 feet elevation and an additional 4% for every additional 1,000 feet elevation over 2,000 feet.

†† Boilers are factory equipped with 15 psi ASME relief valves.

‡ Tankless heater rating based on intermittent draw.

§ AHRI gross output (Btuh) and thermal efficiency.

# Factory installed options.

\* Light oil, 140,000 Btu per gallon.

¶ Beckett or Carlin burner is standard on all SU models.

AVAILABLE INTREPID BURNERS FOR SU ONLY			
	Beckett	Carlin	▲ Riello
TR-30	AFG	99FRD/EZ 1 Pro	F-5
TR-40	AFG	99FRD	F-10
TR-50	AFG	99FRD	F-10
TR-60	375	102CRD	—
TR-70	375	102CRD	—

Riello burners are optional and have an add-on cost. See price above under optional equipment.

# OIL – DIRECT VENT

## Intrepid

TRDV SERIES

## Hot Water Boilers

Packaged



### RATINGS AND PRICES

Model No.	PT Packaged Boiler with Tankless Htr.		Ratings for No. 2 Oil					Tankless Heater GPM‡
	Trade Price	Ship Wt.	AHRI Firing Rate GPH*	AHRI Burner Capacity Oil Input	D.O.E. Capacity (Btuh)	AHRI Net Rating† (MBH)	AFUE %	
TRDV-30-1.10	3624	488	1.10	154,000	132,000	115	86.20	3.20



### Standard Equipment

	PPT	PT		PPT	PT
Pre-assembled cast-iron heat exchanger	X	X	Flue brush (in carton)		X X
Heavy duty jacket with insulation	X	X	Combination hi-limit control and circulator relay		
Combustion chamber (Swing out door insulation and target wall)	X	X	Tankless water heater		X
Large pressure and temperature gauge	X	X	Cover plate instead of tankless heater		X
Pressure relief valve (ASME) (in carton) ††	X	X	Combination hi and lo-limit control circulator relay		X X
Flame retention oil burner with nozzle, primary relay and cadmium sulfide flame detector	X	X	Swing out door		X X
Circulator, Taco 007, with 1-1/4" flange			Disconnect plug		X X
Drain cock	X	X			
Front mount service switch	X	X			

### Additional Equipment

	Order Code	Add		Order Code	Add
# Two-stage fuel pump in place of single-stage fuel pump (not available with Riello burners)	111-639	87	Replace Taco 007 1-1/4" circulator with:		N/C
Eliminate circulator from P and PT boiler ONLY:			B&G NRF 22-1-1/4" circulator		N/C
1-1/4" (TR-20 thru TR-40 ONLY)	Deduct	134	Grundfos UPS 15-58F 1-1/4" circulator		
			Taco 0010 circulator	111609	85
			Taco 110 1-1/4" circulator	111617	119
			B&G 100 1-1/4" circulator	111640	145
<b>VENT KITS:</b>			Air package selection and prices, see page 28.		
TRDV-10 (ft)	470-188	881			
TRDV-15 (ft)	470-190	947			
Kit Includes: Vent terminal, appliance adapter, 2 cover sleeves, vacuum relief valve and flexible vent pipe(boxed separately). (Fresh air intake tubing supplied locally)					

† Net ratings are based on piping and pick-up allowance of 1.15. Slant/Fin should be consulted before selecting a boiler for installation having unusual piping and/or pick-up requirements. Ratings must be reduced by 4% at 2,000 feet elevation and an additional 4% for every additional 1,000 feet elevation over 2,000 feet.

†† Boilers are factory equipped with 30 psi ASME relief valves. Boilers are rated for 50 psi working pressure.

‡ Tankless heater rating based on intermittent draw.

∅ Two-stage pump not available with Riello burners

# Factory installed options.

\* Light oil, 140,000 Btu per gallon.

### AVAILABLE TRDV BURNERS

	Riello
TRDV-30	BF-5



THREE PASS • HIGH EFFICIENCY

OIL

# EC-10 Hot Water Boilers

Jacketed & Assembled

# Eutectic

EC-10 SERIES

## RATINGS AND PRICES

Less burner and circulator

Model No.	Trade Price	Ship Wt.	AHRI Burner Capacity Oil Input		DOE Heating Capacity MBH Water	AHRI Water Net Rating MBH	AHRI Chimney Size		AFUE%
			GPH	BTUH			I.O. Round x Height (in. x ft.)		
EC-13P	2793	267	.65	91,000	79	69	6 x 15	87	
			.70	98,000	85	74	6 x 15	86	
EC-14P	2965	328	.80	112,000	98	85	6 x 15	87	
			.90	126,000	109	95	6 x 15	86	
EC-15P	3189	390	1.00	140,000	123	107	6 x 15	87	
			1.10	154,000	134	117	6 x 15	86	
EC-16P	3371	452	1.15	161,000	141	123	6 x 15	87	
			1.25	175,000	152	132	6 x 15	86	



## Standard Equipment

Pre-Assembled Eutectic Cast-Iron Heat Exchanger  
 Heavy Duty Jacket  
 4 Inches of Insulation  
 Swing Out Reversible Door  
 Inspection Door  
 Pressure Relief Valve

Flue Brush  
 Tridicator  
 Burner Disconnect Plug  
 Drain Valve  
 Draft Regulator  
 Plbg. & Ftg. Package

### AVAILABLE EUTECTIC BURNERS

Beckett AFG	EC-13 – EC-16	736
Carlin EZ 1 PRO	EC-13 – EC-16	736
Riello F3	EC-13	836
Riello F5	EC-14 – EC-16	876

**\*Standard Control – Control provides an automatic means for adjusting boiler supply water temperature to meet demand.**

DOE 2012 Compliant Control	On/Off Switch	Domestic hot water priority setting available
Control Sensor	Power Light	
Panel Mount Control	Burner Light	
Remote Mount Control	Circulator Light	

## Options

Options	Part #	Price
Taco 007 1-1/4" Circulator	470093	134
Grundfos UPS 15-58F 1-1/4" Circulator	470095	134
B & G NRF 22 1-1/4" Circulator	470097	134
Two Stage Fuel Pump (not available w/ Riello)	111639	87

### PLBG. & FTG. PACKAGE INCLUDES

1-1/4 x 1/2 x 1-1/4 NPT Tee	1-1/4 x 1-1/4 x 1/2 NPT Tee
1-1/4 x Close NPT Nipple	1/2 x 1/4 NPT Reducing Bushing
1-1/4 NPT Street Elbow	1-1/4 NPT Shoulder Nipple
1-1/4 x 1-1/4 x 3/4 NPT Tee	3/4 x 2 NPT Nipple
1-1/4 x 12 NPT Nipple	30 PSI Relief Valve

## Direct Vent

Direct Vent	Part #	Price
Direct vent kit EC-13,14,15 (10 ft)	470187	881
Direct vent kit EC-16 (10 ft)	470188	881
Direct vent kit EC-13,14,15 (15 ft)	470189	947
Direct vent kit EC16 (15 ft)	470190	947

Kit includes: vent terminal, appliance adapter, terminal adapter, vacuum relief valve and flexible vent pipe(boxed separately).

(Fresh air intake tubing supplied locally)

## Direct Vent Burners

EC-13 (Reillo) BF-3	470147	912
EC-14 (Reillo) BF-3	470148	912
EC-15 (Reillo) BF-5	470149	912
EC-16 (Reillo) BF-5	470150	912

**OIL**

**THREE PASS • HIGH EFFICIENCY**

**Eutectic**  
EC-20 SERIES

**EC-20 Hot Water Boilers**  
Knocked down for field assembly



**RATINGS AND PRICES**

**with burner, less circulator**

Model No.	Trade Price	Ship Wt.	AHRI Burner Capacity Oil Input		DOE Heating Capacity MBH Water	AHRI Water Net Rating MBH	AHRI Chimney Size	AFUE%	Thermal Efficiency %
			GPH	BTUH			I.O. Round x Height (in. x ft.)		
EC-25	<b>5624</b>	567	1.55	217,000	190	165	6 x 15	86.50	N/A
EC-26	<b>6025</b>	655	1.90	266,000	232	202	7 x 15	86.50	N/A
EC-27	<b>6343</b>	741	2.25	315,000	272	237	7 x 15	N/A	85.30
EC-28	<b>6686</b>	827	2.50	350,000	302	263	7 x 15	N/A	85.30

**Standard Equipment**

- |   |                        |
|---|------------------------|
| Pre-Assembled Eutectic Cast-Iron Heat Exchanger | Flue Brush             |
| Heavy Duty Jacket                               | Tridicator             |
| 4 Inches of Insulation                          | Burner Disconnect Plug |
| Swing Out Reversible Door                       | Drain Valve            |
| Inspection Door                                 | Draft Regulator        |
| Pressure Relief Valve                           | Plbg. & Ftg. Package   |
|   | F10 Riello Burner      |



**\*Standard Control – Control provides an automatic means for adjusting boiler supply water temperature to meet demand.**

- |                            |                  |                             |
|----------------------------|------------------|-----------------------------|
| DOE 2012 Compliant Control | On/Off Switch    | Domestic hot water priority |
| Control Sensor             | Power Light      | setting available           |
| Panel Mount Control        | Burner Light     |                             |
| Remote Mount Control       | Circulator Light |                             |

PLBG. & FTG. PACKAGE INCLUDES

- 1-1/2 x 1/2 x 1-1/2 Tee
- 1-1/2 Shoulder Nipple
- 1-1/2 Street Elbow
- 1-1/2 x 1-1/42 x 3/4 Tee
- 3/4 x 2 Nipple
- 30 PSI Relief Valve
- CPLG 3/4" BLK Iron
- 1/2" x 1/4" NPT Reducer Bushing
- 1-1/2" x 1-1/2" x 1/2 NPT Tee BLK



\* 5 year parts and labor warranty excludes EC-27 and EC-28 models



# Hot Water Boilers

Packaged

OIL

# XL-2000

XL SERIES

## RATINGS AND PRICES

Model No.	P Packaged Boiler		AHRI Firing Rate GPH*	Ratings for No. 2 Oil		AFUE %	AHRI Chimney Size (in.x in.x ft.)
	Trade Price	Ship Wt.		D.O.E. Capacity (Btuh)	AHRI Net Rating† (MBH)		
XL-30-1.00	<b>2708</b>	382	1.00	121,000	105	85.00	8x8x15
	<b>2708</b>	382	1.15	138,000	120	84.10	8x8x15



## Standard Equipment

Pre-assembled cast-iron heat exchanger  
 Jacket with insulation  
 Combustion chamber (burner mounting door insulation and target wall)  
 Pressure and temperature gauge  
 Pressure relief valve (ASME) (in carton) ‡  
 Flame retention oil burner with nozzle, primary relay and cadmium sulfide flame detector  
 Circulator; Taco-007 with 1-1/4" flange for XL-30

Circulator flange/nipple assembly (in carton)  
 Draft regulator (in carton)  
 Drain cock (in carton)  
 Flue brush (in carton)  
 Combination hi-limit control and circulator relay  
 Swing-out/removable burner door  
 Burner electrical disconnect  
 Inspection door

## Optional Equipment

	Order Code	Add	Order Code	Add
§ Two-stage fuel pump in place of single-stage fuel pump (Not available with Riello burners)	111-639	<b>87</b>		
Eliminate circulator		<b>Deduct 128</b>		
Riello R-35	111-697	<b>N/C</b>		
Riello F-5	111-699	<b>270</b>		
Replace Taco 007 circulator with:				
B&G NRF22 circulator			111-642	<b>N/C</b>
Grundfos UPS 15-58F circulator			111-644	<b>N/C</b>
Taco 0010 circulator with 1-1/2" flange			111-609	<b>85</b>
Taco 110 circulator with 1-1/2" flange ¶			111-617	<b>119</b>
B&G 100 circulator with 1-1/2" flange ¶			111-640	<b>145</b>
Air package selection and prices, see page 28.				

\* Light oil, 140,000 Btu per gallon.

† Net ratings are based on piping and pick-up allowance of 1.15. Slant/Fin should be consulted before selecting a boiler for installation having unusual piping and/or pick-up requirements. Ratings must be reduced by 4% at 2,000 feet elevation and an additional 4% for every additional 1,000 feet elevation over 2,000 feet.

‡ Boilers are factory equipped with 30 psi ASME relief valves. Boilers are rated for 100 psi and may be ordered with 50 psi or 100 psi relief valves. Consult factory for price.

§ Factory installed options.

¶ Taco 110 and B&G 100 can only be used on return.

AVAILABLE XL-2000 BURNERS				
	Beckett	Carlin	Riello	Riello
XL-30	AFG	99FRD	R-35	F-5

# ELECTRIC

**EH**  
SERIES

## Monitron Boilers



### RATINGS AND PRICES

Model No.	With Sequential Controls and Manual Element Switches		240V 3 Phase Trade Price	Ship Wt.	KW		No. of Elements	D.O.E. Capacity Btu	
	240/208V‡ Single Phase Trade Price	208V WYE Only† 3 Phase Trade Price			240V‡	208V‡		240V	208V
EH-8S	1921	—	—	144	8	6	2	27,000	21,000
EH-10S	1933	—	—	144	10	7.5	2	34,000	26,000
EH-12S	2152	2499	—	145	12	9	3	41,000	31,000
EH-16S	2210	2532	2866	146	16	12	4	55,000	41,000
EH-20S	2390	2591	2925	146	20	15	4	68,000	51,000
EH-24S	2560	2643	2977	148	24	18	5	82,000	62,000
EH-28S	2642	2717	3051	148	28	21	6	96,000	72,000
EH-32S	2799	2874	3208	150	32	24	7	109,000	82,000
EH-40S	2917	2990	3323	150	40	30	8	137,000	103,000



‡ 120V/240V. 120V/208V. Voltage or any line to ground cannot exceed 125 VAC.  
 † 120V/208V WYE. Voltage of any line to ground cannot exceed 125 VAC.

Specify model as follows: Model number + single or 3-phase  
 To specify single phase, add suffix 135S to model number.  
 To specify three phase, add suffix 345S to model number.

EXAMPLE:  
 EH-20-135S = 20KW boiler for 240/208V, single phase  
 EH-20-345S = 20KW boiler for 208V WYE, 3-phase

Unless specified, all orders will be shipped as single phase.

### Standard Equipment

Cast-iron heat exchanger  
 U.L. listed  
 Terminal blocks for circulator, thermostat, flow switch and for zone valve transformer  
 Sequencer\*  
 Complete jacketing  
 Circuit breaker for circulator and control circuit  
 Dual limit aquastat

Altitude pressure and temperature gauge  
 Safety relief valve A.S.M.E 30 psi† (unmounted)  
 Circulatory relay and heater contactors  
 Circuit breaker (one or two heaters per breaker)  
 Drain cock, 3/4" (packed separately)  
 Built-in air separator

### Optional Equipment

	Order Code	Add
Flow switch (required on any electric boiler)		
Model EH-8S through EH-32S (FS43T3)	790-338	392
Model EH-40S (FS8W)	790-337	328

\* For all models except EH8S and EH10S which have one bank of two heater elements and do not require a sequencer.  
 † Boilers are factory equipped with 30 psi A.S.M.E. relief valves. Boilers are rated for 50 psi working pressure.

NOTE: Pipe tappings on supply and return are 1-1/4" NPT.





# Monitron Deluxe Series

**ELECTRIC**

**EH-M2  
EH-M3  
SERIES**

**RATINGS AND PRICES**



Model No.	With multi-stage EM-10 Electronic Boiler Control		Ship Wt.	KW		No. of Elements	D.O.E. Capacity Btu	
	240/208V‡ Single Phase Trade Price	240/208V WYE Only † 3 Phase Trade Price		240V‡	208V‡		240V	208V
	EH-8M3	1892		—	96		8	6
EH-10M3	1929	—	96	10	7.5	2	34,000	26,000
EH-12M3	2210	2499	96	12	9	3	41,000	31,000
EH-16M3	2290	2589	96	16	12	4	55,000	41,000
EH-20M3	2412	2799	96	20	15	4	68,000	51,000
EH-24M2	2745	3042	148	24	18	5	82,000	62,000
EH-28M2	3058	3244	148	28	21	6	96,000	72,000
EH-32M2	3106	3302	150	32	24	7	109,000	82,000
EH-40M2	3175	3371	150	40	30	8	137,000	103,000

‡ 120V/240V. 120V/208V. Voltage or any line to ground cannot exceed 125 VAC.  
 † 120V/208V WYE. Voltage of any line to ground cannot exceed 125 VAC.

Unless specified, all orders will be shipped as single phase.

**Standard Equipment**

Cast-iron heat exchanger  
 Up to 4 stage EM-10 Electronic Boiler Control  
 U.L. listed U.S. and Canada  
 Terminal strip for circulator, thermostat, flow switch and for other sensors  
 Complete jacketing  
 Circuit breaker for circulator and control circuit

Altitude pressure and temperature gauge  
 Safety relief valve A.S.M.E 30 psi¶ (unmounted)  
 Circulatory relay and heater contactors  
 Circuit breaker (one or two heaters per breaker)  
 Drain cock, 3/4" (packed separately)  
 Built-in air separator

**Optional Equipment**

	Order Code	Add
Flow switch (required on any electric boiler)		
Model EH-24M2 through EH-32M2 (FS43T3-1)	790-338	392
Model EH-8M3 through EH-20M3 (FS43T3-1)	790-338	392
Model EH-40M2 (FS8W)	790-337	328

¶ Boilers are factory equipped with 30 psi A.S.M.E. relief valves. Boilers are rated for 50 psi working pressure.  
 NOTE: Pipe tappings on supply and return are 1-1/4" NPT.

# HWT SERIES

# Indirect-Fired Storage Water Heaters



## RATINGS AND PRICES

Heater Model	Trade Price	Ship Weight	Order Code	Capacity	1st hour ratings		Required Boiler Rating @ 180°F	
					at 140°F (90°F ΔT)	at 120°F (70°F ΔT)	BTU/Hr.	GPM
HWT-40	<b>1432</b>	124 lbs.	664-240	40 gal.	188 gph	233 gph	120,000	10
HWT-60	<b>1604</b>	143 lbs.	664-241	55 gal.	225 gph	277 gph	140,000	10
HWT-80	<b>2137</b>	243 lbs.	664-242	79 gal.	295 gph	363 gph	180,000	14
HWT-120	<b>3659</b>	355 lbs.	664-243	119 gal.	376 gph	460 gph	220,000	14

\* Rating based on 77° F rise with 58° F inlet potable water

## Standard Equipment

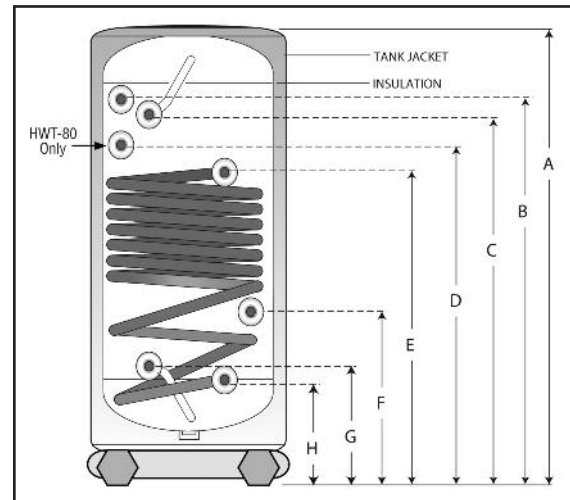
Carbon steel tank with oven glazed titanium glass for added strength & durability  
Over sized coil guarantees superior heat transfer  
7 year warranty

Temperature control

Non stock item F.O.B. Ridgewood, NY

### KEY

- A-TANK TOP
- B-TEMP. & PRESS. RELIEF VALVE
- C-DOMESTIC HOT WATER OUTLET
- D-RECIRCULATION(HWT-80)
- E-BOILER WATER INLET(SUPPLY)
- F-CONTROL
- G-DOMESTIC COLD WATER INLET
- H-BOILER WATER OUTLET(RETURN)



## PHYSICAL SPECIFICATIONS

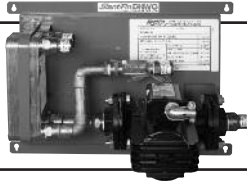
MODEL	DIAMETER OF TANK	VOLUME (Gallons)	HEIGHT TO CONNECTION (Inches)								COIL SURFACE (Sq. Ft.)	WEIGHT (Lbs.)		
			A	B	C	D	E	F	G	H		NET	SHIPPING	FILLED
HWT-40	20"	40	45	37-1/4	35-5/8	N/A	35	20	10-7/16	8-7/8	14	116	124	449
HWT-60	20"	55	58	49-5/8	48	N/A	35	20	10-7/16	8-7/8	14	118	143	576
HWT-80	22"	79	71	61-1/2	61-1/4	47-7/8	54-5/8	40-1/4	10-7/8	10-1/4	26	232	243	737
HWT-120	28"	119	68	58-1/4	68	48-7/16	42	33-7/8	13	8-7/8	26	333	355	1324

## CONNECTIONS

DESCRIPTION	MODEL			
	HWT-40	HWT-60	HWT-80	HWT-120
TEMP. & PRESS. RELIEF VALVE	3/4"	3/4"	1"	1"
DOMESTIC HOT WATER OUTLET	3/4"	3/4"	1"	1" MPT
DOMESTIC COLD WATER INLET	3/4"	3/4"	1"	1" MPT
BOILER WATER OUTLET (RETURN)	1"	1"	1"	1"
CONTROL	1/2"	1/2"	1/2"	1/2"
BOILER WATER INLET (SUPPLY)	1"	1"	1"	1"
RECIRCULATION (HWT-80)	—	—	3/4"	3/4"

### NOTES:

1. All fittings are female NPT thread connections, except for domestic hot and cold on the HWT-120.
2. HWT-120 supplied with adapter to increase from 1" male to 1-1/4" female, for domestic hot and cold.
3. HWT-120 has inspection port (with access near bottom of tank for removal of any sediment buildup).



# DHWG - Domestic Hot Water Generator

**GAS**

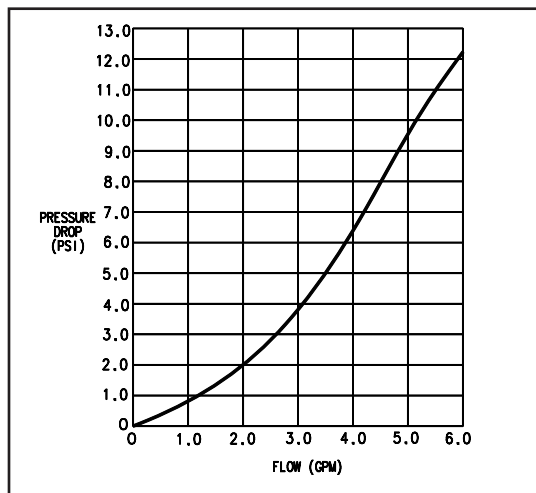
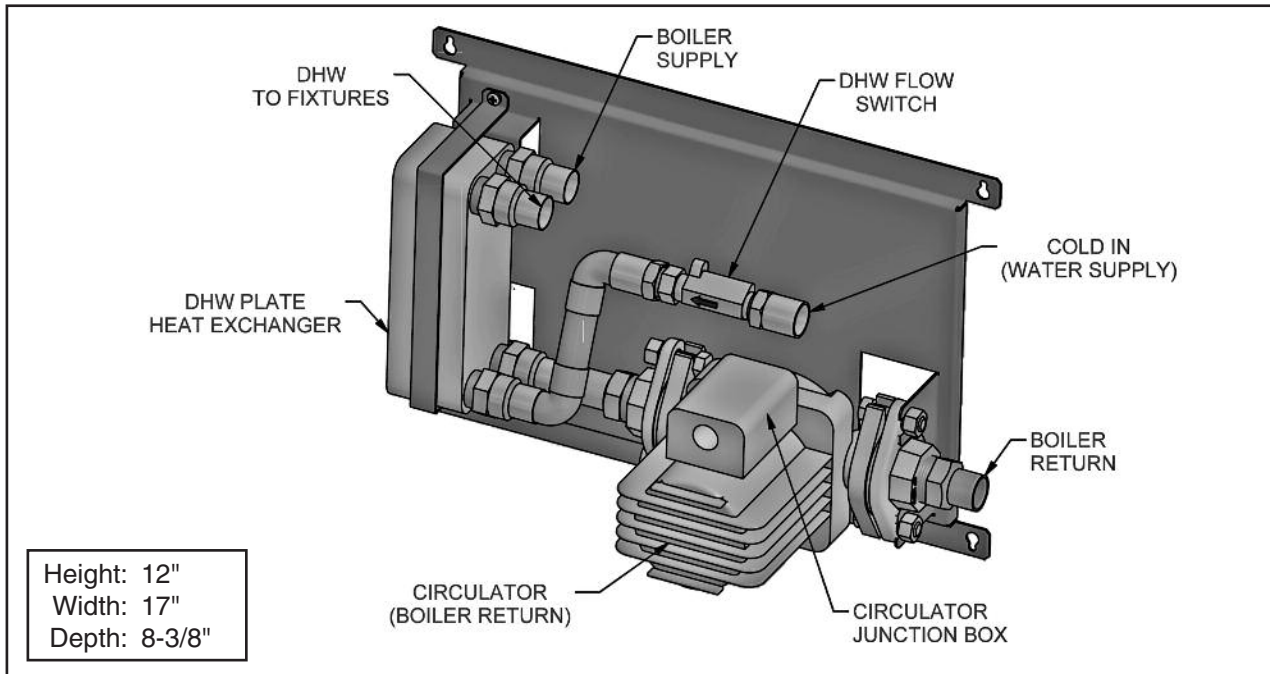
**DHWG**  
SERIES

## RATINGS AND PRICES

Model No.	Trade Price	Ship Wt.
670-020	<b>900</b>	33 lbs.

## STANDARD EQUIPMENT

DHWG with reversible front cover  
 Brazed plate Heat Exchanger  
 Circulator (Taco- 0011)  
 Flow switch  
 Wall mounting bracket



DHW pressure drop vs. flow

## DHWG Temp. Rise vs. Water Flow

Temp. Rise $\Delta t$ -°F	Temp. DHW Flow Rate - GPM		
	LX-90 Boiler	LX-120 Boiler	LX-150 Boiler
100	1.6	2.0	2.3
80	2.0	2.5	3.3
70	2.3	3.0	4.0
60	2.7	3.5	4.5
55	3.0	4.0	5.0

# Slant/Fin Automatic Vent Dampers

## For standing or intermittent ignition pilots



C.S.A. Design Certified for Slant/Fin gas boilers and applicable **ONLY** as indicated on pages 3-8.  
See Slant/Fin Publication nos. GG-40, S-40, SE-40 or VD-40 latest revision for installation details and cautions.

### DESCRIPTION AND PRICES

Boiler Models			Trade Price	Ship Wt.	Order Code	Vent Damper Must or May be used		Vent Damper Description
Galaxy	Sentinel	Sentry				Stdg Pilot	IID	
	SE-70	S-34, S-60	275	3.5 lbs.	412-7041	Must	Must	4" dia. with 40" vent damper harness
	SE-105, SE-140	S-90	275	3.5 lbs.	412-7051	Must	Must	5" dia. with 40" vent damper harness
GXH-105, GXHA-100			275	3.5 lbs.	412-7052	Must*	Must	5" dia. with 54" vent damper harness
	SE-175	S-120	275	4 lbs.	412-7061	Must	Must	6" dia. with 40" vent damper harness
GXH-125, GXHA-120, GXHA-160			275	4 lbs.	412-7062	Must	Must	6" dia. with 54" vent damper harness
	SE-210		281	4.5 lbs.	412-7073	Must	Must	7" dia. with 54" vent damper harness
		S-150	281	4.5 lbs.	412-7071	Must	Must	7" dia. with 40" vent damper harness
GXH-150, GXH-170, GXH-230, GXH-250, GXHA-200			281	4.5 lbs.	412-7072	Must	Must	7" dia. with 54" vent damper harness
GG-250H, GG-275H, GX-250			281	5 lbs.	412-7082	Must	Must	8" dia. with 54" vent damper harness
GG-300			281	5 lbs.	412-7082	May	May	8" dia. with 54" vent damper harness
GG-325, GXH-300			281	5 lbs.	412-7082	Not Applicable	May	8" dia. with 54" vent damper harness
GG-350, GG-350H			281	6 lbs.	412-7092	Not Applicable	May	9" dia. with 54" vent damper harness
GG-375H, GG-399H			281	7 lbs.	412-7102	Not Applicable	May	10" dia. with 54" vent damper harness

\*Model GG-75HES may use a vent damper (not mandatory).

### Air Packages For Residential Boilers\*

#### Packaged Water Boiler

Boiler Models							Air Package Number	Ship Wt.	Order Code	Trade Price	
Sentinel	Sentry		Galaxy	XL-2000	Victory & Victory II	Intrepid					Monitron
SE-105	SE-70 S-60	S-34 S-120	S-90		VSPH-60, VSPH-90, VSPH-120	TR-20	EH8-24	109 (15)†	8 lbs.	412-440	139
SE-140 SE-175 SE-210	S-150			XL-30	VSPH-150 VSPH-180	TR-30 TRDV-30	EH28-40	110 (30)†	10 lbs.	412-441	162
			GG-250P GG-275P			TR-40 TR-50		111 (60)†	14 lbs.	412-442	319
			GG-300P GG-375P			TR-60					
			GG-399P			TR-70 (req. 2)		110 (qty:2)	10 lbs. ea.	412-441	162

#### Packaged Water Boiler with tankless heater

		GXH-105PT GXH-125PT GXH-150PT	GXH-170PT GXH-190PT			TR-30 TR-40		109	8 lbs.	412-440	139
		GXH-250PT GXH-300PT	GXH-275PT			TR-50 TR-60 TR-70		110	10 lbs.	412-441	162

\*Air package consists of a diaphragm expansion tank, automatic fill valve and pressure reducing valve, and automatic float air vent.

† Expansion tank size.

Air package selection based on normal water content using Slant/Fin boilers with hydronic baseboard.  
For systems with unusually high water content, consult factory.



# Hot Water Modular Boilers

# Caravan

GGT & GGHT SERIES

**RATINGS AND PRICES**

100 psi Maximum Working Pressure (SEE NOTE 1)

**INTERMITTENT PILOT IGNITION (IID) MODELS**

Model No. *	ASME Trade Price	Ship Wt.	No. of Heating Modules	Module Model No.	Ratings for Natural and L.P. Propane Gases				Thermal Efficiency %
					C.S.A. Input (MBH)	Gross. Output (MBH)	AHRI Net Output (MBH) †	Net Rating (Sq. Ft.) Water ‡	
GGT-600E	6447	1080	2	GG-300ES	600	486	422	2814	81.10
GGHT-700E⊕	7823	1230	2	GG-350HES	700	570	496	3306	81.40
GGHT-750E	7766	1230	2	GG-375HES	750	606	526	3506	80.90
GGHT-800E	7883	1230	2	GG-399HES	798	644	560	3734	80.60
GGT-900E	9558	1590	3	GG-300ES	900	729	633	4221	81.10
GGHT-1050E⊕	11733	1830	3	GG-350HES	1050	855	744	4959	81.40
GGHT-1125E	10953	1830	3	GG-375HES	1125	909	789	5259	80.90
GGHT-1200E	11132	1830	3	GG-399HES	1197	966	840	5601	80.60
GGT-1200E	12646	2140	4	GG-300ES	1200	972	844	5628	81.10
GGHT-1400E⊕	15643	2440	4	GG-350HES	1400	1140	992	6612	81.40
GGHT-1500E	14601	2440	4	GG-375HES	1500	1212	1052	7012	80.90
GGT-1500E	15792	2675	5	GG-300ES	1500	1215	1055	7035	81.10
GGHT-1600E	15804	2440	4	GG-399HES	1596	1288	1120	7468	80.60
GGHT-1750E⊕	19554	3050	5	GG-350HES	1750	1425	1240	8265	81.40
GGHT-1875E	18251	3050	5	GG-375HES	1875	1515	1315	8765	80.90
GGHT-2000E	18554	3050	5	GG-399HES	1995	1610	1400	9935	80.60
GGHT-2100E⊕	23468	3660	6	GG-350HES	2100	1710	1488	9918	81.40
GGHT-2250E	21713	3660	6	GG-375HES	2250	1818	1578	10518	80.90
GGHT-2400E	22072	3660	6	GG-399HES	2394	1932	1680	11202	80.60
GGHT-2450E⊕	27379	4270	7	GG-350HES	2450	1995	1736	11571	81.40
GGHT-2625E	25331	4270	7	GG-375HES	2625	2121	1841	12271	80.90
GGHT-2800E	25751	4270	7	GG-399HES	2793	2254	1960	13069	80.60
GGHT-2800AE⊕	31416	4880	8	GG-350HES	2800	2280	1984	13224	81.40
GGHT-3000E	28949	4880	8	GG-375HES	3000	2424	2104	14024	80.90
GGHT-3150E⊕	35201	5490	9	GG-350HES	3150	2565	2232	14877	81.40
GGHT-3200E	29432	4880	8	GG-399HES	3192	2576	2240	14936	80.60
GGHT-3375E	32569	5490	9	GG-375HES	3375	2727	2367	15777	80.90
GGHT-3500E⊕	39112	6100	10	GG-350HES	3500	2850	2480	16530	81.40
GGHT-3600E	33107	5490	9	GG-399HES	3591	2898	2520	16803	80.60
GGHT-3750E	35955	6100	10	GG-375HES	3750	3030	2630	17530	80.90
GGHT-4000E	36560	6100	10	GG-399HES	3990	3220	2800	18670	80.60

ASME trade price includes equipment to meet ASME requirements for individual modules.

**FOR LARGER SIZES, USE MULTIPLES OF THE ABOVE.**

- \* Specify gas by name, "Natural" or "Propane".
- \*\* Factory installed option.
- † Net ratings are based on piping and pick-up allowance of 1.15. Slant/Fin should be consulted before selecting a boiler for installation having unusual piping and/or pick-up requirements. Ratings must be reduced by 4% at 2,000 feet elevation and an additional 4% for every additional 1,000 feet elevation over 2,000 feet.
- ‡ Net ratings in square feet based on emission rate of 150 Btuh/Sq. ft.
- †† Consists of 3" control header with 2 wells and temperature and pressure gauge. Specify operating pressure.
- ⊕ For use with natural gas. For Propane (L.P.) gas consult factory. Modules in excess of 10 should be piped in parallel in two or more batteries. For dimensional specifications, refer to Publication number CG-10HWG.

**NOTE 1:** Specify pressure relief setting. Relief valve is available with 30, 50, 75 or 100 psi.

**Standard Equipment**

**One per module:**  
 Pre-assembled heat exchanger with built-in air separator  
 Insulated base  
 Extended heavy-duty jacket  
 Flue collector, stainless steel gas burner, gas orifice and manifold assembly

Module pressure and temperature gauge (unmounted)  
 System pressure and temperature gauge (unmounted, one per system)  
 Control header (unmounted, one per system) ††  
 Pressure relief valve, ASME (unmounted). Specify 30, 50 or 100 psi  
 Draft hood (unmounted)  
 Hi-limit control, auto seat  
 Drain cock (unmounted)

**Optional Equipment**

**ASME REQUIRED SYSTEM CONTROLS (one per bank) order separately:**

- Manual reset system low water cut-off
- Manual reset hi-limit
- Headers (supply and return sets)

- \*\*† For L.P. Propane gas factory, for IID price per module. Specify propane gas.
- \*\* L.P. Propane (for standing pilot only; factory installed). Specify propane gas. Price per module.
- Vent damper
- External tankless heaters
- Control systems

Order Code	Add
see page 34-35.	
see page 34-35.	
see page 34.	
412-631	<b>33</b>
412-452	<b>N/C</b>
see page 34.	
see page 35.	
see page 34-35.	

# GAS

## Caravan

GXHT & GXHT-H  
SERIES

# Steam Modular Boilers



### RATINGS AND PRICES

15 psi Maximum Working Pressure

### INTERMITTENT PILOT IGNITION (IID) MODELS

Ratings for Natural and L.P. Propane Gases

Model No. *c	ASME Trade Price	Trade Price	Ship Wt.	C.S.A. Input (BTU/HR)	Gross Output	Net AHRI Rating (Steam) (MBH) †	Net Rating (Steam) Sq Ft. ‡	No. of Modules	Thermal Efficiency %
GXHT-600HEZ	8782	8115	1075	600	478	358	1492	2	79.70
GXHT-900HEZ	12042	11043	1595	900	717	537	2238	3	79.70
GXHT-1200HEZ	15942	14606	2115	1200	956	716	2984	4	79.70
GXHT-1500HEZ	19907	18241	2635	1500	1195	895	3730	5	79.70

ASME trade price includes equipment to meet ASME requirements for individual modules.

NOTE: GXHT-HEZ Series are for use with natural gas. For L.P. Propane consult factory.

FOR LARGER SIZES, USE MULTIPLES OF THE ABOVE.

### Standard Equipment

#### One per module:

Pre-assembled heat exchanger  
Insulated base  
Heavy-duty extended jacket  
Flue collector, atmospheric stainless steel gas burner, gas orifice and manifold assembly  
Combination gas valve including manual shut-off, pressure regulator, pilot adjustment and 100% shut-off, automatic pilot thermocouple safety, constantly burning pilot  
Module pressure gauge and siphon (unmounted)

System pressure gauge (unmounted)  
Water level sight glass (unmounted)  
Steam pressure relief valve ASME 15 psi (unmounted)  
Draft hood (unmounted)  
Drain cock (unmounted)

#### ASME TRADE PRICE ALSO INCLUDES:

MM PS-802 low water cut-off (67 if tankless) (one per module)  
PA404A pressure control (unmounted) (one per module)

### Optional Equipment

#### ASME REQUIRED STEAM SYSTEM CONTROLS (one per bank) order separately:

	Order Code	Add
67M Manual reset system low water cut-off	432-550	524
L4079B Manual reset system pressure control	410-677	201
Tankless heater with control for steam boiler — 6 gpm	412-103	588
Siphon for pressuretrol	400-222	24
▲ Pump control	432-551	633
Vent damper		see page 34 for price.

Headers for steam systems are not furnished by Slant/Fin.

\*\* Factory installed option.

† Net ratings are based on piping and pick-up allowance of 1.33. Slant/Fin should be consulted before selecting a boiler for installation having unusual piping and/or pick-up requirements. Ratings must be reduced by 4% at 2,000 feet elevation and an additional 4% for every additional 1,000 feet elevation over 2,000 feet.

c GXHT-EZ/HEZ Series are for use with natural gas. For L.P. Propane consult factory.

‡ Based on 240 Btu/sq. ft. net rating at 215°F steam temperature.

Modules in excess of 5 should be piped in parallel in two or more batteries.



HIGH EFFICIENCY

**GAS**

# Hot Water Multiple Boilers

**Jaguar®**  
**CARAVAN®**  
SERIES

50 psi Maximum Working Pressure • Built-in Cascading Control

**RATINGS AND PRICES**

System No.	Trade Price	Ship Wt.	No. of Heating Boilers	CSA Input BTU/HR		Gross Output (MBH)		Net Rating (Water) (MBH)		Thermal Efficiency	
				Max	Min	Max	Min	Max	Min	Max Input	Min Input
J-390C 2B	<b>21611</b>	600	2	780	220	704	212	612	184	91.6	96.7
J-390C 3B	<b>32417</b>	900	3	1170	330	1056	318	918	277	91.6	96.7
J-390C 4B	<b>43222</b>	1200	4	1560	440	1408	424	1224	369	91.6	96.7
J-390C 5B	<b>54028</b>	1500	5	1950	550	1760	530	1530	461	91.6	96.7
J-390C 6B	<b>64834</b>	1800	6	2340	660	2112	636	1836	553	91.6	96.7
J-390C 7B	<b>74639</b>	2100	7	2730	770	2464	742	2142	645	91.6	96.7
J-390C 8B	<b>86445</b>	2400	8	3120	880	2816	848	2448	737	91.6	96.7

**Standard Equipment Per Boiler**

Cast-aluminum mono-block heat exchanger Pre-assembled jacket Woven metal fiber pre-mix burner Blower, gas valve and venturi <b>Integrated boiler control with built-in diagnostics and display, Jaguar Link feature will cascade up to 8 modules; accepts modulating input 0-10 Vdc BMS</b>	Direct spark ignition system Pressure gauge Taco 2400-20 circulator – Boiler loop (per boiler) Drain cock	Built-in condensate drain and trap Vent terminal Outdoor reset sensor <b>Pressure relief valve - Specify 30 or 50 P.S.I</b>
---	--	--

**Optional Equipment**

	Order Code	Add	Order Code	Add
Supply water sensor-required to use built-in Jaguar Link® cascade feature to control up to 8 boilers.	833-433	<b>43</b>	Rhogard Anti-freeze, 5 Gallons.	409-999 <b>200</b>
Interface to use external step control supplying 0 to 10 V (dc) signal to boilers in multiple boiler applications require one per boiler.			<b>ASME required boiler controls:</b>	
			Low water cut-off manual reset	HL550 432-554 <b>217</b>
			Low water cut-off manual reset	MM750 432-553 <b>234</b>
			Hi-limit (manual reset)	L4006E 410-671 <b>101</b>
		830-130	<b>220</b>	Well for L4006E

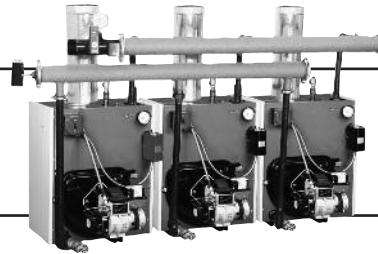
**OPTIONAL HEADER COMPONENTS** – See Jaguar Multiple Boiler Application Guide for recommended header configuration.

Header System Parts Item	Part No.	Quantity needed for No. of boilers installed								Trade Price Ea.
		2	3	4	5	6	7	8		
1-1/2" Stub Header - 2 stub - 27" C-C (Box includes 2)	43-0920	1	–	2	1	–	2	1	<b>437</b>	
1-1/2" Stub Header - 3 stub - 27" C-C (Box includes 2)	43-0921	–	1	–	1	2	1	2	<b>567</b>	
Flex Joint 1-1/2" pipe	41-2023	2	4	4	6	8	8	10	<b>22</b>	
Flex Joint - 3" pipe	41-1755	4	4	8	8	8	12	12	<b>57</b>	
Cast End Cap - No tap	41-1753	2	2	2	2	2	2	2	<b>27</b>	

# OIL

## Caravan LDWO SERIES

## Hot Water Modular Boilers Wet Base - Wet Back



100 psi Maximum Working Pressure (SEE NOTE 1)

### RATINGS AND PRICES

Model No.	ASME Trade Price	Ship Wt.	Ratings for No. 2 Oil					Net Rating (Water) CU Ft.	No. of Heating Modules	Thermal Efficiency %
			AHRI Firing Rate (GPH)†	Input (BTU/HR)	Gross Output (MBH) †	Output AHRI Net (MBH) ‡				
LDWO-600-2-5	<b>7548</b>	1570	4.30	602	500	435	2900	2	82.70	
LDWO-750-2-6	<b>8611</b>	1790	5.20	728	602	523	3487	2	82.70	
LDWO-900-3-5	<b>11207</b>	2355	6.40	896	750	652	4347	3	82.70	
LDWO-1100-3-6	<b>12808</b>	2685	7.80	1092	903	785	5235	3	82.70	

ASME trade price includes equipment to meet ASME requirements for individual modules.

FOR LARGER SIZES, USE MULTIPLES OF THE ABOVE.

### Standard Equipment

**One per module unless otherwise noted:**

- Pre-assembled heat exchanger
- Heavy-duty insulated jacket
- Flame retention oil burner with nozzle; cadmium sulfide flame detector
- Primary burner control
- Module pressure and temperature gauge
- System pressure and temperature gauge (unmounted one per system)

- Control header (unmounted, one per system) ¢
- Pressure relief valve, ASME (unmounted). Specify 30, 50, 75 or 100 psi.
- Draft regulator (unmounted)
- Flue brush
- Hi-limit control, auto reset
- Drain cock (unmounted)

### Optional Equipment

**ASME REQUIRED SYSTEM CONTROLS (one per bank) order separately:**

	Order Code	Add
Manual reset low water cut-off (one per bank)	see pages 34-35	
Manual reset hi-limit (one per bank)	see pages 34-35	
** Extra for N.Y.C. BAR Kit — for models LDWO-750, 850, 1100 thru 3400 ONLY.	111-907	<b>538</b> per module
** Two-stage fuel pump in place of single-stage fuel pump per module (Not available with Riello burners)	111-639	<b>87</b>
Headers (supply and return sets)		For ordering information, see pages 34-35
Control systems		
External tankless heaters		

Lead/lag control is highly recommended for all Caravan systems.

\*\* Factory installed option.

† Light oil, 140,000 Btu per gallon.

‡ Net ratings are based on piping and pick-up allowance of 1.15. Slant/Fin should be consulted before selecting a boiler for installation having unusual piping and/or pick-up requirements. Ratings must be reduced by 4% at 2,000 feet elevation and an additional 4% for every additional 1,000 feet elevation over 2,000 feet.

§ Based on 150 Btu/h per square foot E.D.R. at 170°F average water temperature.

¢ Consists of 3" control header with 2 wells and temperature and pressure gauge. Specify operating pressure.

**NOTE 1:**

Specify pressure relief setting. Relief valve is available with 30, 50 or 100 psi.

**NOTE 2:**

Modules in excess of 8 should be piped in parallel in two or more banks.





# Steam Modular Boilers

Wet Base - Wet Back

# Caravan

LDZO SERIES

## RATINGS AND PRICES

15 psi Maximum Working Pressure

Model No.	ASME Trade Price	Trade Price	Ship Wt.	Ratings for No. 2 Oil					No. of Heating Modules	Thermal Efficiency %
				AHRI Burner Capacity (GPH)*	Input (BTU/HR)	Gross Output (MBH)	Output AHRI Net (MBH) ‡	Net Rating (Water) CU Ft.		
LDZO-600-2-5	<b>8815</b>	<b>7900</b>	1248	4.3	602	497	373	1554	2	82.50
LDZO-750-2-6	<b>9877</b>	<b>8962</b>	1420	5.2	728	622	467	1946	2	85.50
LDZO-900-3-5	<b>13114</b>	<b>11663</b>	1872	6.4	896	740	555	2311	3	82.50
LDZO-1100-3-6	<b>14707</b>	<b>13340</b>	2130	7.8	1092	934	700	2918	3	85.50

FOR LARGER SIZES, USE MULTIPLES OF THE ABOVE AND CONSULT FACTORY.

ASME trade price includes equipment to meet ASME requirements for individual modules.

### Standard Equipment

#### One per module:

Pre-assembled heat exchanger and insulated jacket  
 Flame retention oil burner with nozzle;  
 cadmium sulfide flame detector  
 Primary burner control  
 Module pressure gauge and siphon (unmounted)  
 System pressure gauge and siphon (unmounted)  
 Water level sight glass (unmounted)

Steam pressure relief valve, ASME 15 psi (unmounted)  
 Draft regulator  
 Flue brush  
 Drain cock (unmounted)

#### ASME TRADE PRICE ALSO INCLUDES:

PS-801 low water cut-off (one per module)  
 PA404A pressure control (one per module)

### Optional Equipment

	Order Code	Add
<b>ASME REQUIRED STEAM SYSTEM CONTROLS (one per bank) order separately:</b>		
67M Manual reset system low water cut-off (one per bank)	432-550	<b>524</b>
L4079B Manual reset system pressure control (one per bank)	410-677	<b>201</b>
** Extra for N.Y.C. BAR Kit — for models LDZO-750, 850, 1100 thru 2100 ONLY.	111-907	<b>538</b> per module
** Two-stage fuel pump in place of single-stage fuel pump (Not available with Riello burners)	111-639	<b>87</b> per module
Pump control	432-551	<b>633</b>

Headers for steam systems are not furnished by Slant/Fin.

\* Light oil, 140,000 Btu per gallon.

\*\* Factory installed option.

† Net ratings are based on piping and pick-up allowance of 1.33. Slant/Fin should be consulted before selecting a boiler for installation having unusual piping and/or pick-up requirements. Ratings must be reduced by 4% at 2,000 feet elevation and an additional 4% for every additional 1,000 feet elevation over 2,000 feet.

‡ Based on 240 Btuh per square foot E.D.R. at 215°F steam temperature.

#### NOTE:

Modules in excess of 5 should be piped in parallel in two or more banks.

# Caravan® Modular Boiler Controls and Accessories

Hot Water Systems Only



## SC-Series – Modular Boiler Step Controls



Model No.	Trade Price	Order Code	Description
SC-3	918	435080	3-stage controller is the primary system control for up to 3 stages. Includes the control, outdoor temperature sensor and supply water temperature sensor.
SC-9	1577	435081	9-stage controller is the primary system control for up to 9 stages. Includes the control, outdoor temperature sensor, supply water temperature sensor and extra universal sensor. (Universal sensor may be used to observe either boiler return water temperature or temperature rise in boiler)
Immersion well	73	411008	C7043A – Well and housing for supply water sensor

### High limit and low water cut-off

Most codes require one manual reset high limit and one manual reset low water cut-off per system. Manual reset high limit requires a immersion well.

High limit (Manual reset)	101	410671	Honeywell L-4006E manual reset high limit, temperature range up to 240° F (requires immersion well listed below)
Immersion well	27	410569	Honeywell 123869A immersion well for manual reset high limit
Low water cut-off (Manual reset)	234	432553	McDonnell & Miller 750-P-MT-120 - 120 volt manual reset low water cut-off
Low water cut-off (Manual reset)	217	432554	Hydrolevel 550 -120 volt manual reset low water cut-off

## Caravan® Headers



### Headers-Supply and Return Sets

Order individually or in combination to meet total number of modules in each bank of boilers. Use the table below to determine the correct quantity of 2- and 3-module headers to order. For instance, for a single bank 5-module system, order one 2-module header set and one 3-module header set. For use with hot water systems up to 100 psi only.

Quantity of boiler modules in bank	2	3	4	5	6	7	8	9	10
Quantity of 2-module header sets	1		2	1		2	1		2
Quantity of 3-module header sets		1		1	2	1	2	3	2
Shipping weight (lbs.)	70	116	140	186	232	256	302	348	372

### Included in each set

Each header set includes separate supply and return header sections plus all nipples, couplings, fittings and unions needed to connect header sections to boiler modules. When headers are used in combination as in above example, a field supplied, Schedule 40 steel pipe (28" x 3" for gas; 18" x 3" for oil) is required to join individual header sections.

### STANDARD HEADER SETS

	Trade Price	Ship Wt.	Order Code	
			GGT	LWDF & LDWO
2-module header sets	1075	70	412-042	432-572
3-module header sets	1427	116	412-043	432-573

To simplify pricing header system, multiply number of modules by \$340 per module trade price.

### Caravan Headers for State of Pennsylvania Only

	Trade Price	Ship Wt.	Order Code	
			GGT	LWDF & LDWO
2-module header sets for Pennsylvania	1145	72	412-062	430-882
3-module header sets for Pennsylvania	1481	120	412-063	430-883



## Slant/Fin Automatic Vent Dampers

For standing or intermittent ignition pilots.

C.S.A. Design Certified for Slant/Fin Caravan gas boilers.

### ORDER ONE PER MODULE

Module Model Number (As listed on price page for GGT & GGHT water models and GXHT & GXHT-H steam models)	Trade Price	Ship Wt.	Order Code	Vent Damper Description
GXH-190, GXH-250	281	8 lbs.	412-7072	7" dia. with 54" vent damper harness
GG-300S, GG-300E	281	10 lbs.	412-7082	8" dia. with 54" vent damper harness
GG-350HES, GXH-300H	281	11 lbs.	412-7092	9" dia. with 54" vent damper harness
GG-375HES, GG-399HES	281	12 lbs.	412-7102	10" dia. with 54" vent damper harness



# Caravan® Modular Boiler Controls and Accessories - Continued

Hot Water Systems Only

## Individual Caravan Controls

Model	Order Code	Add	Model	Order Code	Add
<b>Water Controls:</b>			<b>Steam Controls:</b>		
Control header only 3"		411-757 <b>101</b>	Pressure control	PA404A	400-117 <b>112</b>
Flow Switch	FS4-3	411-145 <b>168</b>	Low water cut-off (electric)	67	400-116 <b>300</b>
Low water cut-off	764	400-264 <b>322</b>	Low water cut-off (electronic 120V)	PS801	430-130 <b>235</b>
Low water cut-off	OEM-170	432-541 <b>129</b>	Feeder for PS801 (120V)	WF2	430-131 <b>416</b>
Hi-limit (manual reset)	L4006E	410-671 <b>101</b>	Low water cut-off (electronic 24V)	Hydrolevel 400	411-521 <b>153</b>
Well for L4006E	123869A	410-569 <b>27</b>	Feeder for Hydrolevel 400	VXT-24	410-820 <b>281</b>
System enable thermostat	T675A	410-672 <b>137</b>	Pump control	42	432-551 <b>633</b>
Sunshield	34886A	410-664 <b>49</b>	Pump control	150	403-004 <b>1012</b>
<b>Accessories:</b>			<b>ASME REQUIRED STEAM SYSTEM CONTROLS (one per bank):</b>		
Enclosed relay SPDT	R4225A1008	411-915 <b>73</b>	Pressure control (manual reset)	L4079B	410-677 <b>201</b>
			Low water cut-off (manual reset)	67M	432-550 <b>524</b>

## Domestic hot water control packages (optional), for use with SC-9

Model No.	ASME Trade Price	Order Code	Description
11/2" EMV Valve Package	<b>1286</b>	435-075	EMV valve packages are for use with a domestic hot water heat exchanger (purchased separately) to generate volume hot water.  EMV valve package includes one L6006A aquastat and well and one EMV II valve.
2" EMV Valve Package	<b>1812</b>	435-076	
2 1/2" EMV Valve Package	<b>2599</b>	435-077	

## Caravan® External Tankless Heaters

For use with hot water boilers only

**BP**  
SERIES

### BRAZED PLATE HEAT EXCHANGER

Stainless steel brazed construction heat exchanger in stainless steel insulated cabinet

Tankless Heater No.	Trade Price	Approx. Ship Wt. Lb.	Order Code	Actual Sq. Ft. Heat Surf.	Heated Service Water			Jacketed Shell Size Inches	Gross Boiler Output @ Cont. Draw Rating MBH	Required Boiler Water Flow Rate G.P.M.	Boiler Side Pressure Drop FT. W.C.
					DHW continuous draw 40°-140°F GPH	GPM	DHW Pressure Drop psi				
BP-1B	<b>3863</b>	20	401-231	7.5	411	6.8	2.0	14-1/2 x 10 x 5	342	21	5.6
BP-2B	<b>4226</b>	30	401-232	12.0	821	16.7	1.6	13-1/4 x 11 x 6-1/2	684	41	5.1
BP-3B	<b>4589</b>	40	401-233	20.0	1232	20.5	2.0	13-1/4 x 13-1/4 x 6-1/2	1026	57	7.5

Maximum working pressure 430 psi.

### Optional Equipment

	Order Code	Add
Taco 0010 Circulator	430-102	<b>262</b>

---

# Material Return Authorization Policy and Procedure for Boiler and Parts

---

This policy and procedure supersedes all previous policies and publications concerning the return of Slant/Fin boilers and parts. Slant/Fin reserves the right to repair or replace, at its option, free of charge, F.O.B. Greenvale, N.Y., any part or parts of the boiler which in Slant/Fin's sole judgment are found to be defective, per the Limited Warranty for Hot Water and/or Steam Boilers.

## IN-WARRANTY RETURNED BOILERS

### PRIOR APPROVAL

Before a Slant/Fin boiler is returned, a Return Authorization Number (RAN) must be issued by Slant/Fin. Without such prior authorization, Slant/Fin may refuse to accept the return shipment and may not consider any credit for subject boiler.

### WHO TO CONTACT

The wholesaler or sales representative must request, in advance, (by Fax) the authorization to return a boiler from Slant/Fin Technical Service Department. Fax number: 516-484-6958.

### INFORMATION REQUIRED

To facilitate quick processing of your request, a (RAN) form must be faxed in by the wholesaler or sales representative. Contractor's name and address, owner's name and address, boiler model number, boiler serial number, original invoice number and date, boiler application (residential or commercial), complaint/problem description, date of installation and date of failure.

### RETURN TAG AND PACKING SLIP

Upon authorization for return from Slant/Fin, the Return Authorization Number (RAN) will be faxed back to the requesting wholesaler or sales representative. The return authorization number must be included with the boiler and the material return authorization number put on the crate. All returns must be received by Slant/Fin, Greenvale, New York, within 90 days after receipt of authorization. All returns are subject to handling charges and reconditioning charges where required.

### PACKAGING RETURNED BOILERS

Returned boilers should be packaged to prevent any transportation damage. Always package the boiler in a vertical position. Mark the carton, ATTN: TRUCKER - THIS SIDE UP. Boilers authorized for return must be complete and assembled with all integral parts included. Otherwise, the allowable credit written will deduct the missing parts and/or components.

### PRE-PAY FREIGHT

Boilers returned must be shipped freight prepaid. Under no circumstances will any unit be accepted freight collect.

### SLANT/FIN ACTION

Credits for boilers returned, are not issued immediately. Every effort will be made by Slant/Fin to process return boiler credit within 30 days after receipt. No credit will be issued for in-warranty boilers that have been field scrapped, unless special authorization has been granted and documented by Slant/Fin.

1. If factory inspection determines that the returned boiler is defective due to a manufacturer's defect, boiler credit will be issued to the customer.
2. If the factory inspection determines that the returned boiler is defective, but not due to a manufacturer's defect, such as a dry fire, no credit will be issued. The Director of Technical Services will issue an inspection report to the customer and also request final disposition (i.e. return boiler to customer freight collect). If disposition is not given within two weeks of the inspection report, the boiler will be scrapped.

## IN-WARRANTY RETURNED PARTS

### PRIOR APPROVAL

Before boiler parts are returned, a Return Authorization Number (RAN) must be issued by Slant/Fin. Without such prior authorization Slant/Fin may refuse to accept the return shipment and may not consider any credit. To avoid credit delays, it is recommended that parts be returned on a monthly basis, or when the number of parts warrant a return (not on a one-to-one basis).

### WHO TO CONTACT

The wholesaler or sales representative must request, in advance, (by fax) for authorization to return parts, from Slant/Fin Technical Service Department. Fax number: 516-484-6958.

### INFORMATION REQUIRED

The wholesaler or sales representative must fax a (RAN) form when requesting a Return Authorization Number (RAN) for in-warranty parts: Boiler model number, boiler serial number, boiler application (residential or commercial), complaint/problem description, date of installation/failure.

### RETURN TAG AND PACKING SLIP

Upon authorization for return from Slant/Fin, the Return Authorization Number (RAN) will be faxed back to the requesting wholesaler or sales representative. The return authorization number must be included with the parts and the return authorization number put on the box. All returns must be received by Slant/Fin, Greenvale, New York, within 90 days after receipt of authorization. All returns are subject to handling charges and reconditioning charges where required.

### PACKAGING RETURNED PARTS

Returned parts should be packaged to prevent any transportation damage. Parts and components authorized for return must be complete and assembled with all integral parts included. Otherwise, no allowable credit will be issued and the components will be scrapped.

### PRE-PAY FREIGHT

Parts and components returned must be shipped freight prepaid. Under no circumstances will any unit be accepted freight collect.

### SLANT/FIN ACTION

Credits for parts and components returned are not issued immediately. Every effort will be made to process returned parts credits within 30 days following receipt. No credit will be issued for in-warranty parts that are field scrapped unless special authorization was granted and documented by Slant/Fin.

1. If factory inspection determines that the returned parts are defective and have-in warranty manufacturing dates, credit will be issued to the customer.
2. If factory inspection determines that the returned part is out of warranty, no credit will be issued and the component will be scrapped.



# BOILER WARRANTIES

## Lifetime Limited Warranty for Residential Cast-iron Hot Water Boilers in Household Use

**Gas Models:** Sentinel, Sentry, Galaxy and Victory

**Oil Models:** Intrepid, Liberty, Liberty II, XL-2000, EC Series

**Electric Models:** Monitron

### FIRST-YEAR WARRANTY INCLUDES:

Repair or replacement for a period of one year after original installation of all parts found to be defectively manufactured.

**LIFETIME LIMITED WARRANTY OF CAST-IRON SECTIONS** is effective for as long as the boiler is owned by the original purchaser or for 25 years, whichever time period is longer. The warranty includes repair or replacement of cast iron sections found to be defectively manufactured, at a cost to consumer equal to the percentage indicated below of the manufacturer's then list price for the replacement parts:

Year of	Percentage paid by consumer (of list price at time of claim)	Year of	Percentage paid by consumer (of list price at time of claim)
2 thru 10	0%	18	40%
11	5%	19	45%
12	10%	20	50%
13	15%	21	55%
14	20%	22	60%
15	25%	23	65%
16	30%	24	70%
17	35%	25 & after	75%

This warranty extends only to boilers in household use. See "Additional Warranty Terms" section for more details.

## Limited Ten-Year Warranty for Residential Application Cast-iron Steam Boilers

This warranty extends only to steam boilers and Jaguars in household use in buildings with one or two family dwelling units and which have been properly installed by a qualified heating contractor whose principal occupation is in the installation of heating equipment. Also, this warranty applies only to the first retail purchaser and only if the boiler has remained at all times in the location at which it was originally installed.

### FIRST-YEAR LIMITED WARRANTY FOR RESIDENTIAL STEAM BOILERS:

Slant/Fin warrants its residential steam boilers to be free from defects in material and workmanship for one year from date of original installation. If any parts are found to be defective in material or workmanship, Slant/Fin will repair or replace the defective parts.

### SECOND THROUGH TENTH YEAR LIMITED WARRANTY FOR CAST-IRON SECTION ASSEMBLY OF RESIDENTIAL STEAM BOILERS:

Slant/Fin warrants the cast-iron section assembly of its residential steam boilers to be free of defects in material and workmanship for the second through the tenth year following the date of original installation. If any sections are found to be defective during this period, Slant/Fin will repair or replace the section or, at its option, the entire heat exchanger.

See "Additional Warranty Terms" section for more details.

## Limited Ten-Year Warranty for Caravan Modular, Jaguar and Commercial Application of Individual Cast-Iron Boilers in Hot Water and Steam Heating Applications.

### WARRANTY INCLUDES:

**FIRST YEAR:** Repair or replacement in accordance with warranty service procedure, for a period of one year after original installation, of all parts found to be defectively manufactured.

**SECOND THROUGH TENTH YEAR:** Repair or replace for the second through tenth year after original installation, of the cast iron or cast aluminum heat exchanger found to be defectively manufactured, at no cost for the replacement heat exchanger. Second through tenth year warranty is for the heat exchanger only.

This warranty extends only to boilers installed in closed loop space heating applications and domestic hot water applications. A properly sized heat exchanger must be used to heat the domestic water.

See "Additional Warranty Terms" section for more details.

# Additional Warranty Terms

## All Boiler Models

Warranty extends only to boilers which have been properly installed, operated and maintained in accordance with Slant/Fin installation instructions and all applicable codes. Warranty applies only if the boiler has remained at all times in the location at which it was originally installed. Slant/Fin makes no express warranties other than the warranties contained herein.

### WARRANTY EXCLUDES:

All labor charges incurred by any person in connection with the examination, removal, and repair of parts claimed to be defective and the installation of replacement parts.

The part claimed to be defective shall be returned to Slant/Fin. The cost of shipment to Slant/Fin is borne by the consumer.

Damage caused by water that contains excessive lime, calcium, or other contaminants. Corrosion of cast iron heat exchanger caused by low operating water temperature.

Boilers operated with combustion air that may be contaminated by chemicals or improper fuel additives.

Boilers operated with water additives or water/system conditions that may cause heat exchanger failure.

Boilers that have failed or malfunctioned due to improper or negligent operation, abuse, misuse, freezing, natural disaster, unauthorized alteration, improper installation or improper repair.

Improper burner adjustments, control settings or maintenance procedures.

Boiler warranty is void if purchased on the Internet.

**NOTE:** *Boilers are to be used in closed systems. Any application that causes significant quantities of fresh make up water to enter the system is not permitted. Such applications can be met with a heat exchanger that will maintain the boilers in a closed system.*

### AFTER FIRST YEAR, WARRANTY EXCLUDES:

All boiler components other than a cast-iron or cast-aluminum heat exchanger, such as, sheet metal base, jacket, insulation, combustion chamber, tankless heater exhaust and air inlet

pipng, burner enclosure, mixing elbow, gas and air orifice, blower assembly, air filter and electrical and mechanical components furnished to Slant/Fin by other manufacturers, such as pumps, relays, controls, gauges, etc.

### PROCEDURE FOR WARRANTY SERVICE:

For warranty service, provide the person who installed your Slant/Fin boiler with the following information: boiler model number and serial number (from the boiler rating plate) and the date of installation. That person will notify the Slant/Fin wholesaler from whom the boiler was purchased.

Part(s) claimed to be defective must be returned through trade channels and replacement part(s) will, if warranty conditions are met, be provided by Slant/Fin through the wholesaler.

If there are any questions about the coverage of this warranty, please contact Slant/Fin at the address shown below.

### LIMITATIONS ON IMPLIED WARRANTIES AND DAMAGES:

Slant/Fin assumes no liability for damages or unsatisfactory performance of any kind which is a result of improper installation.

Slant/Fin's sole obligation in the event of a breach of any implied warranty (including, but not limited to, implied warranties of merchantability and fitness for a particular purpose) is limited to repair or replacement, and all such warranties are limited in duration to the period of time after the date of original installation as stated above.

This warranty does not cover claims for incidental or consequential damages resulting from a breach of any express or implied warranty or any other reason.

Some states do not allow limitations on how long an implied warranty lasts or the exclusion or limitation of incidental or consequential damages. So the above limitation or exclusion may not apply to you.

**THIS WARRANTY GIVES YOU SPECIFIC LEGAL RIGHTS AND YOU MAY ALSO HAVE OTHER RIGHTS WHICH VARY FROM STATE TO STATE.**

**Technical Service Department**  
Slant/Fin Corporation, 100 Forest Drive, Greenvale, N.Y. 11548 • (516) 484-2600  
[techservice@slantfin.com](mailto:techservice@slantfin.com)

Effective October 2010



# CONDENSING GAS BOILER WARRANTY (LX, CHS & VSL Models)

## Residential Warranty

Limited 15 year (includes 5 year Protection Plan when registered upon installation, administered through third party)

## Commercial Warranty

Limited 10 Year (Does NOT include Protection Plan)

The warranty is contingent upon the installation by a licensed professional heating contractor and maintenance and service being performed by a licensed professional heating contractor on a regular yearly basis. Installation of these boilers and/or maintenance or service conducted by unlicensed or non-professional heating contractors will void this warranty. Installation must be in accordance with this manufacturer's manuals, national and local codes and regulations.

### First through tenth year:

Slant/Fin warrants the heat exchanger free from defects in materials and workmanship for 10 years from date of installation.

If any original factory supplied parts fail in the first year due to manufacturing defect, or the heat exchanger in the first 10 years are found to be defective, Slant/Fin will provide replacement of such defective parts or heat exchanger.

In addition to the product warranty, Slant/Fin will provide a 5 year Homeowner Protection Plan (HPP) for residential applications only to cover original factory supplied parts and labor to repair or replace them for five years from the date of installation provided only if the boiler is properly registered with the Homeowner Protection Plan administrator within one month of the date of installation. Claims requests must be processed directly through the plan administrator and NOT Slant/Fin.

### Eleventh through the fifteenth year:

Slant/Fin warrants the heat exchangers are free from defects in material and workmanship for the eleventh through fifteenth year from the date of installation. If, during such time, the heat exchanger is found to be defective, Slant/Fin will provide a replacement heat exchanger upon payment of a proportionate charge based upon the time the boiler has been in service. The proportionate charge will be equal to the appropriate percentage of the list price of such heat exchanger at the time warranty claim is made and will be as follows:

11th year = 20%  
12th year = 30%  
13th year = 45%  
14th year = 60%  
15th year = 80%  
16th year = 100%

This warranty specifically excludes boilers operated with combustion air contaminated externally by chemical or corrosive vapors, improper fuel additives or with water/system conditioners which may cause heat exchanger failure. In addition, this warranty excludes boilers that have failed or malfunctioned due to improper or negligent operation, accident, abuse, freezing, misuse, unauthorized alteration or improper repair or maintenance. This warranty exclude boilers overheated due to the system not providing water, or adequate flow through the boiler when the burner is on. Any use of improper anti-freeze will void this warranty. This warranty does not cover the labor and shipping costs associated with the repair or replacement of the boiler, the properly registered Homeowner Protection Plan covers applicable labor for the first five years of operation from dated of installation. The Homeowner Protection Plan is administered through a third party. Warranty applies if boiler is registered within first 30 days of installation and for the first retail purchaser only. Boiler must remain at all times in the location at which it was originally installed

Use of any anti-freeze not approved by Slant/Fin will void the warranty. Warranty applies if boiler is registered within first 30 days of installation and for the first retail purchaser only. Boiler must remain at all times in the location at which it was originally installed.



# EUTECTIC BOILER WARRANTY

**Lifetime Limited Warranty  
plus Parts and Labor Warranty  
for Residential EC Series Cast-iron Hot  
Water Boilers in Household Use.**

**Oil Models:** EC Series

**FIRST through FIFTH YEAR WARRANTY INCLUDES:**

Parts and Labor Warranty

We will provide parts and pay labor for the replacement of all original factory supplied parts found to be defectively manufactured for a period of 5 years after date of original installation. This does not include annual service, maintenance or normal wear and tear of parts such as (but not limited to) nozzles, electrodes, jacket parts, etc.

The labor portion will be covered at a rate of \$65 per hour and must be pre-approved by Slant/Fin's Technical Service Center prior to performance of work. A Pre-approval number will be granted on each job to cover labor cost. All replacement parts will be ordered through the local Slant/Fin distributor and our normal

return authorization policy must be followed.

**LIFETIME LIMITED WARRANTY OF CAST-IRON SECTIONS** is effective for as long as the boiler is owned by the original purchaser or for 25 years, whichever time period is longer. Labor cost is not covered. The warranty means that Slant/Fin will repair or replace the cast iron sections found to be defectively manufactured at a cost to the consumer that which is equal to the percentage indicated below of the manufacturer's then list price for the replacement parts:

Year of	Percentage paid by consumer (of list price at time of claim)	Year of	Percentage paid by consumer (of list price at time of claim)
6	0%	18	40%
11	5%	19	45%
12	10%	20	50%
13	15%	21	55%
14	20%	22	60%
15	25%	23	65%
16	30%	24	70%
17	35%	25 & after	75%



# Summary of Limited Warranties for Boilers

	Hot Water	Steam
Residential gas, oil and electric	Lifetime	10 years
Caravan gas, oil and Jaguar	10 years	10 years
Individual commercial application	10 years	10 years
Indirect-fired water heaters	7 years	See Pub. No. HWT-40
For warranty details, see p. 38-42		

## Code Approvals:

Slant/Fin boilers meet most codes throughout the United States. Listed below are code approvals which **we are most frequently asked about**. However, please consult your Slant/Fin representative regarding other approvals you may have to meet.

**National:** All Slant/Fin gas boilers are A.G.A design certified. All oil burners used by Slant/Fin are U.L. listed. All boilers meet or exceed the National Appliance Energy Compliance Act effective January 1, 1992.

All Slant/Fin boilers have AHRI approved ratings. Ratings for boilers with inputs less than 300,000 Btuh are established under ASHRAE Standard 103 as required by DOE and are verified annually by Hydronics Institute under the AHRI DOE Verification Program.

Ratings for boilers with inputs 300,000 Btuh and over are established by Hydronics Institute under AHRI test procedures.

Slant/Fin is a holder of an ASME Certificate of Authorization and Code Stamp. All cast-iron boilers are built to the requirements of Section IV of the ASME Boiler and Pressure Vessel Code.

**New York City:** Slant/Fin boilers meet the requirements of B.A.R. "Bureau of Air Resources" and M.E.A. "Material and Equipment Acceptance" as follows:

GX, GXH Boiler and GXT, GXHT Caravan modules . . . . .	MEA — 25-96-E
GG Boiler and GGT, GGHT Caravan modules . . . . .	MEA — 283-93-E Vol. II
GXHA Boiler . . . . .	MEA — 130-04-E
Liberty Caravan . . . . .	MEA — 214-88-E Vol. IV
Intrepid Boiler . . . . .	MEA — 214-88-E Vol. IV
Intrepid Boiler . . . . .	MEA — 214-88-E Vol. III
Victory II Boiler . . . . .	MEA — 416-90-E
Victory VSP . . . . .	MEA — 40-02-E
Victory VSPH . . . . .	MEA — 187-03-E
Sentry Boiler . . . . .	MEA — 335-92-E Vol. II
Sentinel Boiler . . . . .	MEA — 335-92-E Vol. III
XL-2000 Boiler . . . . .	MEA — 34-97-E
EC-10 Series Boiler . . . . .	MEA — 193-07-E Vol. II
EC-20 Series Boiler . . . . .	MEA — 193-07-E
Lynx Boiler . . . . .	MEA — 225-07-E
Bobcat Boiler . . . . .	MEA — 415-07-E
Jaguar Boiler . . . . .	MEA — 191-08-E

New York City B.A.R. No. 51-88.  
Slant/Fin Vent Damper NYS Approval No. 8859.

**Pennsylvania** All Slant/Fin oil and gas boilers are approved in Pennsylvania by PA Cert 3893 for individual boilers and 174-BT-S for Caravan Systems.





**FAX ORDERS TO: 516-484-2694 or 800-955-6645**  
**EMAIL ORDERS TO: [orders@slantfin.com](mailto:orders@slantfin.com)**

Prices in U.S. dollars.

For trade prices on other Slant/Fin products, refer to these price books:

Baseboard Radiation Pub. No. R-01

Boiler Parts & Price Pub. No. BRP-01

Commercial Radiation Pub. No. R-01C



©Slant/Fin Corp. 2012. Printed in the U.S.A. 812. Publication No. B-01

**SLANT/FIN CORPORATION, Greenvale, N.Y. 11548 • Phone: (516) 484-2600**

**To order by fax: (516) 484-2694**

**[www.slantfin.com](http://www.slantfin.com)**