

Slant/Fin®

INTREPID

OIL-FIRED WATER AND STEAM BOILERS/NO. 2 OIL

BOILER REPLACEMENT PARTS LIST

Table 1: WATER BOILER PARTS LIST, P, PT AND PPT

(See exploded view pg. 4)

ITEM	DESCRIPTION	QTY	TR-20	TR-30	TR-40	TR-50	TR-60	TR-70
1A	Casting subassembly water, extended boss less plate	1	4307121	4307131	4307141	4307151	4307161	4307171
1B	Casting subassembly water, solid front (NO provision for tankless)	1	4307021	4307031	4307041	4307051	4307061	4307071
2	Burner mounting door Assy (Incl. items 3, 6, 6A, 40 & 41)	1	432910000	432910000	432910000	432910000	432910000	432910000
4	Target wall	1	430029	430029	430029	430029	430029	430029
4A	Blanket, insulation	1	—	—	—	—	430059	430060
5	Bolt 3/8-16	1	480119	480119	480119	480119	480119	480119
5A	Washer flat 3/8nom	1	430117	430117	430117	430117	430117	430117
7	Hex nut 3/8-16 steel	3	400328	400328	400328	400328	400328	400328
8	Washer flat 3/8 nom. steel	3	400322	400322	400322	400322	400322	400322
9	Blank plate, tankless	1	430031	430031	430031	430031	430031	430031
10	Gasket 1/8 thick	1	430071	430071	430071	430071	430071	430071
11	Hex cap nut 3/8-16 steel	6	432735	432735	432735	432735	432735	432735
11A	Stud 3/8-16 x 1-1/4 18-8 stainless steel interrupted thread	6	432736	432736	432736	432736	432736	432736
11B	Washer flat 3/8 stainless steel	6	432761	432761	432761	432761	432761	432761
12	Flue collector (TR-30/TR-40 add item 12B)	1	430032	432708	432709	430035	430036	430037
12A	Flue collector sealant	1	430147	430147	430147	430147	430147	430147
12B	Rope Seal (Hinged Flue Collector)	1	—	480064	480065	—	—	—
13	Carriage bolt 1/4-20 x 2-1/2 long	1	430108	430108	430108	430108	430108	430108
13A	Wing nut 1/4-20	1	400147	400147	400147	400147	400147	400147
13B	Washer 1/4"	1	909783071	909783071	909783071	909783071	909783071	909783071
14	Clean out door plate	1	430019	430019	430019	430019	430019	430019
15	Observation door	1	400114400	400114400	400114400	400114400	400114400	400114400
16	Self tapping screw, 1/4-20 x 3/4 long hex slotted hd.	3	480049000	480049000	480049000	480049000	480049000	480049000
17	Stud 3/8-16 x 1-3/8 steel interrupted thread	3	430107	430107	430107	430107	430107	430107
18	Jacket, insulated top	1	432530	432531	432532	432533	432534	432535
19	Jacket, Insulated side	2	435122	435123	435124	435125	435126	435127
20	Jacket, insulated rear	1	432537	432537	432537	432537	432537	432537
21	Jacket, insulated front, water "PT & PPT"	1	435098	435098	435098	435098	435098	435098
21A	Jacket, insulated front, water "P"	1	432529	432529	432529	432529	432529	432529
21B	Jacket, front (lower)	1	430512	430512	430512	430512	430512	430512
22	Emblem - Slant/Fin	1	401041	401041	401041	401041	401041	401041
24	Sheet metal screw #8 x 1/2A Treuss Head Philips	22	970107000	970107000	970107000	970107000	970107000	970107000
25	Relief valve - H.W. 30 psi Conbraco or Watts	1	400103	400103	400103	400103	400103	400103
26	Nipple 3/4 x 2 long (for relief valve)	1	400225	400225	400225	400225	400225	400225
27	Drain valve 3/4 Nibco #74	1	400201	400201	400201	400201	400201	400201
28	Reducing bushing 1-1/2 NPT x 3/4 NPT	1	902179321	902179321	902179321	902179321	902179321	902179321
29	Tridicator (0-75 psi)	1	910373061	910373061	910373061	910373061	910373061	910373061
30	Control, hi limit Hon. L4080B1253 or W/R11B83-1	1	—	—	—	—	—	410699
30A	Control, high/low limit L4081A (PT)	1	—	—	—	—	410529	410529
30B	Control, hi limit-circ. Hon L8148A (P) (Obsolete)	1	400096	400096	400096	400096	400096	—
30C	Control, hi limit-circ. Hon L7248L1006 (P)	1	400096	400096	400096	400096	400096	—
30D	Control, hi-lo limit-circ. Hon L8124C1094 (PT) (Obsolete)	1	400095	400095	400095	400095	—	—
30E	Control, hi-lo limit-circ. Hon L7224C1004 (PT)	1	400095	400095	400095	400095	—	—
30F	Control, Hydrostat Plus, hi-lo/high limit	1	430424	430424	430424	430424	430424	430424
31	Well 1/2 NPT x 1-1/2" (without tankless P)	1	410569	410569	410569	410569	410569	410569
31	Well 1/2 NPT x 3" (with tankless PT & PPT)	1	430150	430150	430150	430150	430150	430150
31	Well 1/2 NPT x 3" for use with Hydrostat Plus	1	430425	430425	430425	430425	430425	430425
32	Thermostat - 24V Hon. T822D1537	1	—	400101	400101	400101	400101	400101
33	Primary control, Honeywell R7184B Beckett burner	1	430672	430672	430672	430672	430672	N.A.
33A	Primary control, GeniSys 7505B1500 Beckett burner	1	430675	430675	430675	430675	430675	N.A.
33B	Primary control R7184B Carlin burner	1	430668	430668	430668	430668	430668	—
34	Burner assembly: Beckett	1	430661	430662	430663	430664	—	—
34A	Burner assembly: Carlin	1	430631	430633	430635	430638	430654	430656
34B	Burner assembly: Riello	1	—	4301533	4301543	4301553	—	—
34C	Burner assembly: Carlin EZ-LF Pro	1	—	432843000	—	—	—	—
35	Tankless heater Assy. (optional)	1	430072	430073	430074	430074	430075	430075
36	Gasket, Beckett burner	1	—	430172	430172	430172	—	—
36A	Gasket, Carlin burner	1	430173	430173	430173	430173	430173	430173
37A	Circulator, Taco 007	1	790202	790202	790202	790202	790202	790202
37B	Circulator, Grundfos UP-15-42F	1	790201	790201	790201	790201	790201	790201
37C	Circulator, B&G NRF-22	1	790203	790203	790203	790203	790203	790203
37D	Circulator, Taco 0010	1	—	—	—	—	430102	—
38	Pin retainer	2	480016	480016	480016	480016	480016	480016
39	Screw, pin retainers	4	480049	480049	480049	480049	480049	480049
42	Junction box	1	480071100	480071100	480071100	480071100	480071100	480071100
43	Switchplate cover	1	432753	432753	432753	432753	432753	432753
44	Screw	2	480049	480049	480049	480049	480049	480049
45	Switch	1	432752	432752	432752	432752	432752	432752
46	Ground Screw	1	650666	650666	650666	650666	650666	650666
47	"L" Baffle	1	430885000	430885000	430885000	—	—	—
48	"T" Baffle	x	—	430886020 (x=1)	430886020 (x=2)	430886020 (x=3)	430886020 (x=4)	430886020 (x=5)

Replacement Parts are available from Slant/Fin Corporation
100 Forest Drive, Greenvale, NY 11548

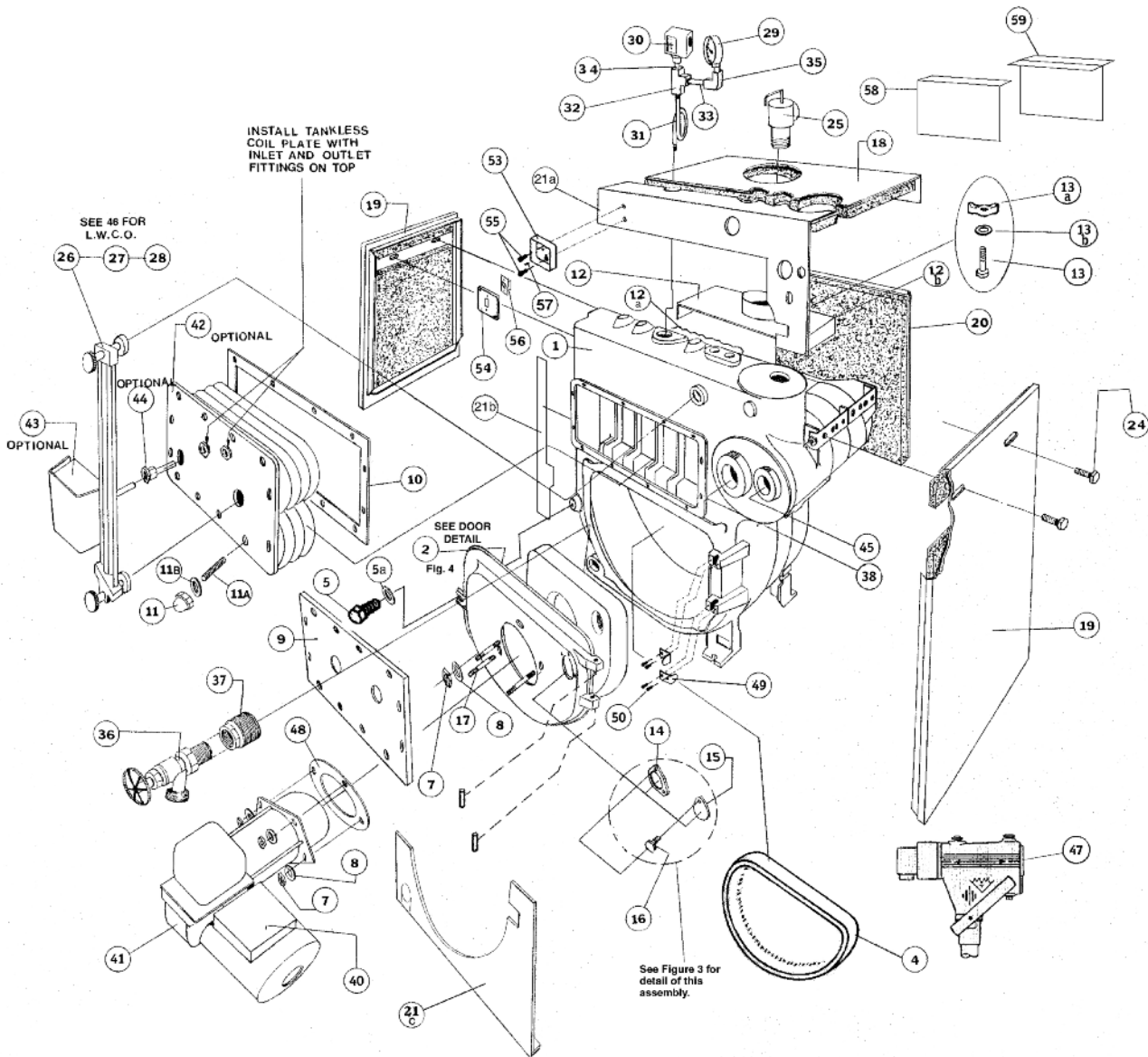
PUBLICATION NO. TR-10PL rev.C
Printed in U.S.A. 1013 • Part No. 432267500

Table 2: STEAM BOILER PARTS LIST, PZ AND PZT (SEE EXPLODED VIEW PG. 3)

ITEM	DESCRIPTION	QTY	TR-30	TR-40	TR-50	TR-60	TR-70
1	Casting subassembly steam, less plate	1	4320331	4320341	4320351	4320361	4320371
2	Burner mounting door assy (Incl. items 3, 6, 6A, 51, 52)	1	432910000	432910000	432910000	432910000	432910000
4	Target wall	1	430029	430029	430029	430029	430029
4A	Blanket Insulation	1	430106	430105	430104	430059	430060
5	Bolt 3/8-16	1	480119	480119	480119	480119	480119
5A	Washer flat 3/8 nom.	1	430117	430117	430117	430117	430117
7	Hex nut 3/8-16 steel	3	400328	400328	400328	400328	400328
8	Washer flat 3/8 nom. steel	3	400322	400322	400322	400322	400322
9	Blank plate, tankless steam	1	430021	430021	430021	430021	430021
10	Gasket 1/8 thick	1	430070	430070	430070	430070	430070
11	Hex cap nut 3/8-16 steel	12	432735	432735	432735	432735	432735
11A	Stud 3/8-16 x 1-1/4 18-8 stainless steel interrupted thread	12	432736	432736	432736	432736	432736
11B	Washer flat 3/8 stainless steel	12	432761	432761	432761	432761	432761
12	Flue collector (TR-30/TR-40 add item 12B)	1	432708	432709	430035	430036	430037
12A	Flue collector sealant	1	430147	430147	430147	430147	430147
12B	Rope Seal (Hinged Flue Collector)	1	480064	480065	—	—	—
13	Carriage bolt 1/4-20 x 2-1/2 long	1	430108	430108	430108	430108	430108
13A	Wing nut 1/4-20	1	400147	400147	400147	400147	400147
13B	Washer 1/4"	1	909783071	909783071	909783071	909783071	909783071
14	Cleanout door plate	1	430019	430019	430019	430019	430019
15	Observation door	1	400114400	400114400	400114400	400114400	400114400
16	Self tapping screw, 1/4-20 x 1 long hex slotted hd.	3	400217	400217	400217	400217	400217
17	Stud 3/8-16 x 1-3/8 steel interrupted thread	3	430107	430107	430107	430107	430107
18	Jacket, insulated top	1	432531	432532	432533	432534	432535
19	Jacket, insulated side	2	435123	435124	435125	435126	435127
20	Jacket, insulated rear	1	432537	432537	432537	432537	432537
21AB	Jacket, insulated front, steam (top + breakaway piece)	1	432528	432528	432528	432528	432528
21C	Jacket, front (lower)	1	430512	430512	430512	430512	430512
22	Emblem - Slant/Fin	1	401041	401041	401041	401041	401041
24	Sheet metal screw #8 x 1/2A Treuss Head Philips	22	970107000	970107000	970107000	970107000	970107000
25	Safety valve Conbraco 13-501 or Watts 315	1	400107	400107	400107	400107	400107
26	Water gauge set 1/2 NPT	1	402036	402036	402036	402036	402036
27	Glass - 5/8 dia. x 5-3/4 long	1	430132	430132	430132	430132	430132
28	Rod - 3/16 dia. x 7-3/4 long	2	430134	430134	430134	430134	430134
29	Pressure gauge - 30 psi 2-1/2	1	910374051	910374051	910374051	410374051	910374051
30	Pressuretrol PA404A1009	1	400117	400117	400117	400117	400117
31	Siphon - 1/4 NPT	1	400222	400222	400222	400222	400222
32	Tee - 1/4 x 1/4 x 1-1/4 brass	1	400223	400223	400223	400223	400223
33	Nipple - 1/4 x 2-1/2 long	1	400224	400224	400224	400224	400224
34	Nipple - 1/4 x close brass	1	400240	400240	400240	400240	400240
35	Elbow - 1/4 x 90 deg. brass	1	400232	400232	400232	400232	400232
36	Drain valve 3/4	1	400201	400201	400201	400201	400201
37	Reducing bushing - 1-1/2 NPT x 3/4 NPT	1	902179321	902179321	902179321	902179321	902179321
38	Plug square hd. - 1-1/2 NPT (skimmer tapping)	1	902342051	902342051	902342051	902342051	902342051
39	Thermostat - 24V Hon T822D1537	1	400101	400101	400101	400101	N.A.
40	Primary control, R7184B Carlin burner	1	430668	430668	430668	430668	N.A.
40A	Primary control, Honeywell R7184B Beckett burner	1	430672	430672	430672	400119	N.A.
40B	Primary control, GeniSys 7505B1500 Beckett burner	1	430675	430675	430675	430675	N.A.
41	Burner assembly, see #34 Table 1	1	—	—	—	—	—
42	Tankless heater assy. (optional)	1	430080000	430080000	430080000	430080000	430080000
43	Control, low limit Honeywell L4006A2049(optional)	1	410527	410527	410527	410527	410527
44	Well 1/2 NPT x 1-1/2" (PZ)	1	410569	410569	410569	410569	410569
44	Well 1/2 NPT x 3" (PZT)	1	430150	430150	430150	430150	430150
45	Plug 3/4 (for alternate L.W.C.O.)	1	902340051	902340051	902340051	902340051	902340051
46	Low water cut-off M&M PS 801-120 (optional)	1	430130	430130	430130	430130	430130
47	Low water cut-off M&M 67 (standard)	1	400116	400116	400116	400116	400116
48	Gasket, Beckett burner	1	430172	430172	430172	—	—
48A	Gasket, Carlin burner	1	430173	430173	430173	430173	430173
49	Pin retainer	2	480016	480016	480016	480016	480016
50	Screw, pin retainers	4	480049	480049	480049	480049	480049
53	Junction box	1	480071100	480071100	480071100	480071100	480071100
54	Junction box cover	1	432753	432753	432753	432753	432753
55	Screw	2	480049	480049	480049	480049	480049
56	Switch	1	432752	432752	432752	432752	432752
57	Ground screw	1	650666	650666	650666	650666	650666
58	"L" Baffle	1	430885000	430885000	—	—	—
59	"T" Baffle	x	430886020 (x=1)	430886020 (x=2)	430886020 (x=3)	430886020 (x=4)	430886020 (x=5)

STEAM BOILER (exploded view)
 Refer to Table 2 for detailed description of parts

Figure 2



DETAIL OF CLEAN OUT AND OBSERVATION DOOR ASSEMBLY

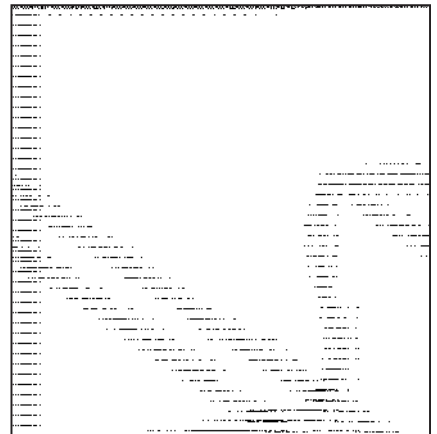


Figure 3

ITEM 2. P/N 432910000 BURNER DOOR ASSEMBLY DETAIL			
ITEM	QTY	PART NUMBER	DESCRIPTION
2A	1	430510400	BURNER DOOR - MACHINED
2B	1	430018000	INSULATION - BURNER DOOR
2C	1	403251000	FIBERGLASS ROPE 5/16
2D	1	480017000	ROLL PIN - UPPER HINGE
2E	1	480018000	ROLL PIN - LOWER HINGE
2F	1	730929000	CLEAR 5005 SEALANT

BURNER DOOR ASSEMBLY DETAIL

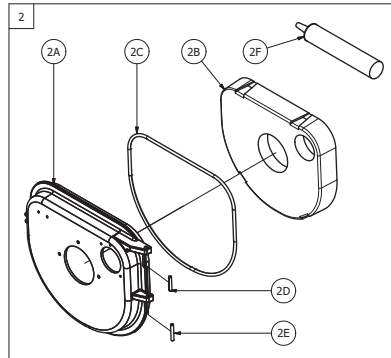
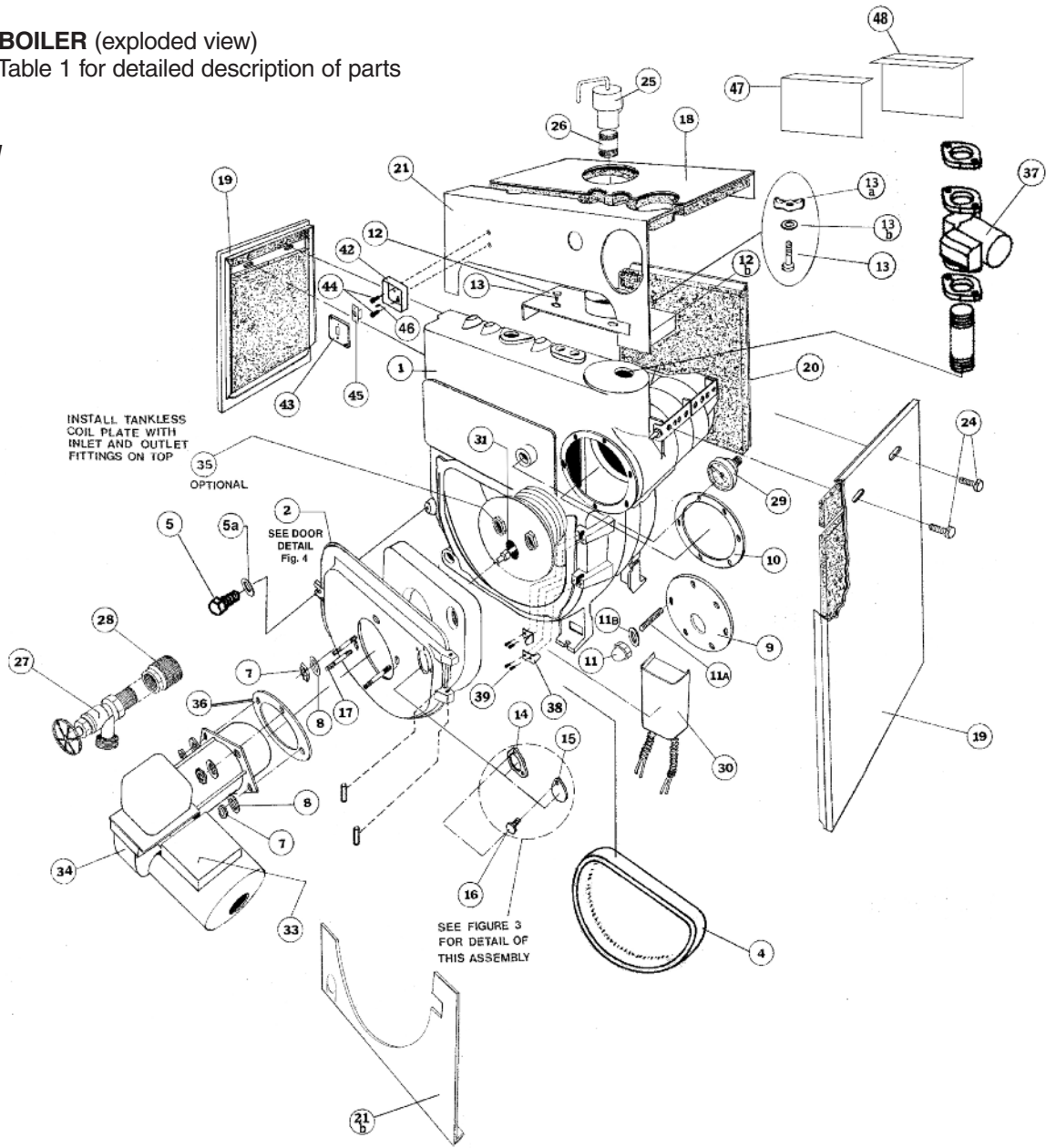


Figure 4

WATER BOILER (exploded view)
 Refer to Table 1 for detailed description of parts

Figure 1



ITEM 2. P/N 432910000 BURNER DOOR ASSEMBLY DETAIL

ITEM	QTY	PART NUMBER	DESCRIPTION
2A	1	430510400	BURNER DOOR - MACHINED
2B	1	430018000	INSULATION - BURNER DOOR
2C	1	403251000	FIBERGLASS ROPE 5/16
2D	1	480017000	ROLL PIN - UPPER HINGE
2E	1	480018000	ROLL PIN - LOWER HINGE
2F	1	730929000	CLEAR 5005 SEALANT

BURNER DOOR ASSEMBLY DETAIL

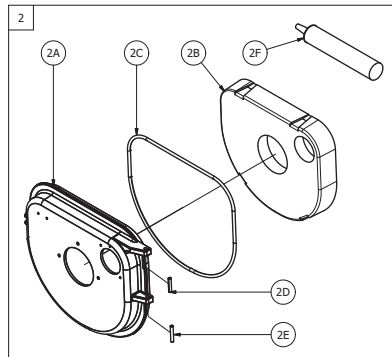


Figure 4

DETAIL OF OBSERVATION DOOR ASSEMBLY

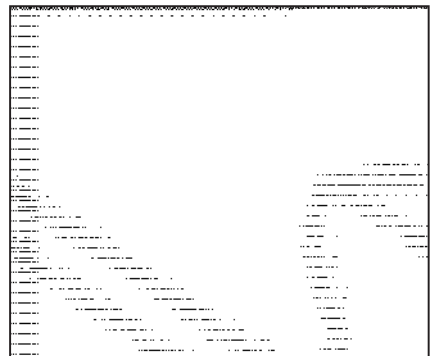


Figure 3



©Slant/Fin Corp. 2013

SLANT/FIN CORPORATION, Greenvale, N.Y. 11548 • Phone: (516) 484-2600
 FAX: (516) 484-5921 • Canada: Slant/Fin LTD/LTEE, Mississauga, Ontario

www.slantfin.com