

## TrueCLEAN™ Enhanced Air Cleaner

Sizes: Air Handler 16x20, 20x20, 25x20 • Furnace 16x25 and 20x25

PROFESSIONAL INSTALLATION GUIDE  
GUIDE D'INSTALLATION PROFESSIONNELLE  
GUÍA DE INSTALACIÓN PROFESIONAL

GETTING  
STARTED

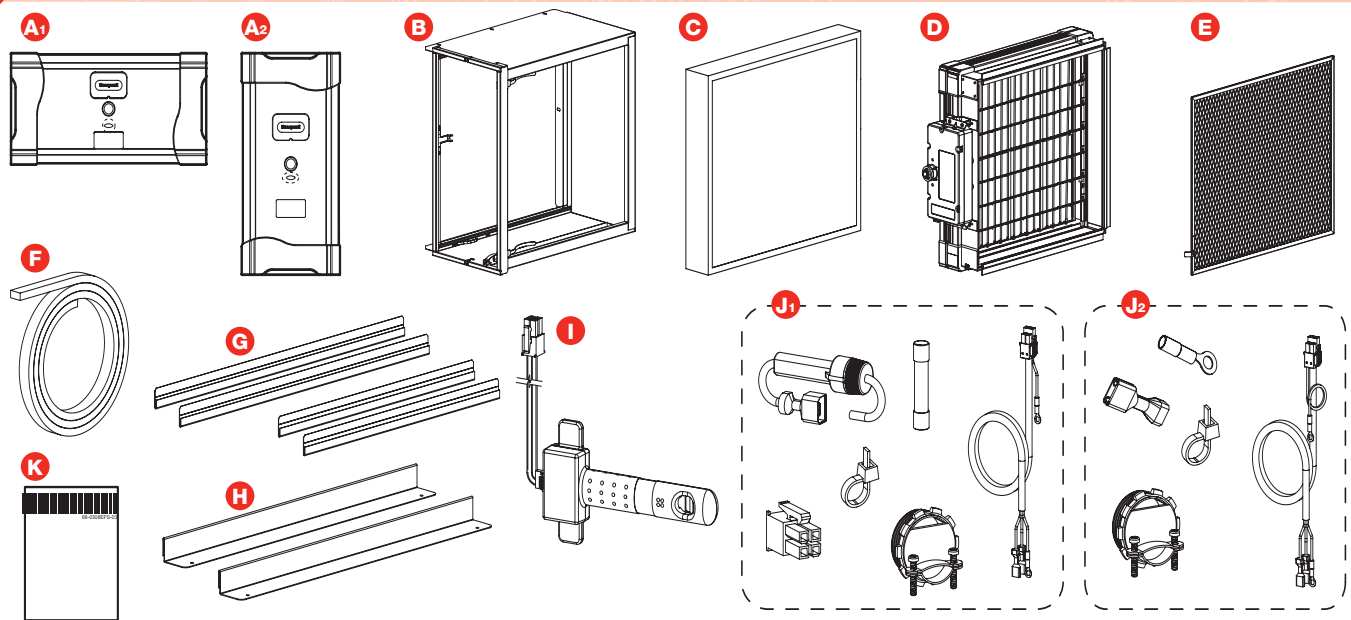
MOUNTING

WIRING

OPERATION  
AND SERVICE

APPENDICES

### INCLUDED IN THIS ENHANCED AIR CLEANER BOX



#### Tools needed to install Enhanced Air Cleaner

- ▶ Standard screwdriver
- ▶ Phillips screwdriver
- ▶ Metal cutter
- ▶ Drill
- ▶ Duct Sealant

- A<sub>1</sub>** Door FH8000A
- A<sub>2</sub>** Door FH8000F
- B** Cabinet
- C** Filter
- D** Enhancement module
- E** Safety screen
- F** Duct gasket tape
- G** Return duct adapters
- H** Furnace adapters (FH8000F)
- I** Air flow sensor (FH8000A)
- J<sub>1</sub>** Installation components (FH8000A)
- J<sub>2</sub>** Installation components (FH8000F)
- K** Installation Instructions

#### Replacement Filter Table

Enhanced Air Cleaner	Honeywell Model	Replacement Filter Part Number
Air Handlers	FH8000A1620	FR8000A1620
	FH8000A2020	FR8000A2020
	FH8000A2520	FR8000A2520
Forced Air Furnace	FH8000F1625	FR8000F1625
	FH8000F2025	FR8000F2025





# TrueCLEAN™ Enhanced Air Cleaner

## GETTING STARTED

What to Expect From Your Honeywell TrueCLEAN™ Enhanced Air Cleaner .....	2
How it Works.....	2
Application Considerations .....	3
Important Installation Requirements .....	5
Personal Safety.....	5

## MOUNTING

Choosing a Mounting Method .....	6
Which Honeywell Enhanced Air Cleaner model do you have? .....	6
Mounting the FH8000A (Air Handler) Honeywell Enhanced Air Cleaner .....	7
Mounting the FH8000F (Furnace) Honeywell Enhanced Air Cleaner .....	10

## WIRING

Before Wiring the Honeywell Enhanced Air Cleaner .....	14
Wiring the FH8000A (Air Handler) Honeywell Enhanced Air Cleaner .....	15
Wiring the FH8000F (Furnace) Honeywell Enhanced Air Cleaner .....	17

## OPERATION AND SERVICE

Startup and Operation .....	19
Checking Air Cleaner Operation .....	19
Maintenance .....	20
Troubleshooting .....	23

## APPENDICES

Specifications, Dimensions, and Approvals .....	25
Parts List.....	28
Warranty .....	29

GETTING STARTED

MOUNTING

WIRING

OPERATION AND SERVICE

APPENDICES



**NEED HELP?** For assistance with this product please visit <http://yourhome.honeywell.com> or call Honeywell Customer Care toll-free at 1-800-468-1502.

**Read and save these instructions.**

© U.S. Registered Trademark. Patents pending. Copyright © 2010 Honeywell International Inc. All rights reserved.

# What to Expect From Your Honeywell TrueCLEAN™ Enhanced Air Cleaner

Congratulations for selecting the Honeywell TrueCLEAN™ Enhanced Air Cleaner for your home comfort system! The Honeywell Enhanced Air Cleaner is proven to remove and destroy airborne germs and allergens, including viruses, bacteria, and mold spores from air moving through the filter. The Honeywell Enhanced Air Cleaner is a cornerstone of Honeywell's home comfort solutions for providing cleaner air in your home.

The installer should review these points with the homeowner and answer any questions they have before leaving the job site.

## When Installing this Product...

1. Read these instructions carefully. Failure to follow them could damage the product or cause a hazardous condition.
2. Check the rating given in the instructions and on the product to make sure the product is suitable for your application.
3. Installer must be a trained, experienced service technician.
4. After installation is complete, check out product operation as provided in these instructions.

## How it Works

The Honeywell TrueCLEAN™ Enhanced Air Cleaner provides extremely high filtration performance while destroying captured contaminants, including viruses, bacteria, and mold spores. The Honeywell Enhanced Air Cleaner treats the entire air stream through a state of the art, three-stage process.

### Stage 1

In stage one, particles in the air are electrically charged by an array of ionizer points as they enter the Honeywell Enhanced Air Cleaner.

### Stage 2

In stage two, the charged particles are electrically attracted and captured in the air filter cartridge, which is located within an electric field.

### Stage 3

In stage three, captured particles are destroyed by electrical current flow and ion bombardment.

.....



# Application Considerations

The Honeywell Enhanced Air Cleaner is designed for use in the return air duct of a forced air heating, cooling, and ventilation system. Models FH8000A1620, FH8000A2020 and FH8000A2520 are specifically designed for use in systems with an air handler. Models FH8000F1625 and FH8000F2025 are specifically designed for use in systems with a forced air furnace. The Honeywell Enhanced Air Cleaner is CSA certified for shock and electrical fire hazard only.

## Air Conditioning

The Honeywell Enhanced Air Cleaner should be installed in a system so that all the return air is circulated through the Honeywell Enhanced Air Cleaner. It should be located upstream of the air conditioning equipment. This will help keep the equipment clean and prevent condensation from forming within the Honeywell Enhanced Air Cleaner.

## Humidifiers

An evaporative humidifier can be mounted upstream of the Honeywell Enhanced Air Cleaner. It is best to install atomizing humidifiers downstream of the Honeywell Enhanced Air Cleaner because hard water salt deposits and water droplets may damage the Honeywell Enhanced Air Cleaner. If an atomizing humidifier must be mounted upstream of the Honeywell Enhanced Air Cleaner, it should be mounted as far upstream as possible (at least 6 ft. [1.8 m] recommended), and a standard disposable furnace filter should be mounted between the humidifier and the Honeywell Enhanced Air Cleaner to trap hard water salt deposits and water droplets.

## Transitions

If the return air duct or fan coil openings do not fit the Honeywell Enhanced Air Cleaner cabinet openings, gradual transitions are recommended to reduce air turbulence and maximize efficiency.

**FH8000A** – No more than 20 degrees (about 4 in. per running ft.) of expansion should be used on each side of the transition fitting.

**FH8000F** – No more than 45 degrees (about 8.5 in. per running ft.) of expansion should be used on each side of the transition fitting.

## Turning Vanes

If the Honeywell Enhanced Air Cleaner is installed adjacent to a 90 degree duct elbow, turning vanes should be added inside duct to improve air distribution across the face of the Honeywell Enhanced Air Cleaner.

# Application Considerations

## Electrical Power / Airflow Switch

The Honeywell Enhanced Air Cleaner should only be powered when airflow is present.

**FH8000A** – These models are designed for use with an air handler and are equipped with an airflow switch (see Fig. 1), which provides power only when the air handler blower is operating. These models are designed to be powered from a 208 to 230 VAC single phase power source.

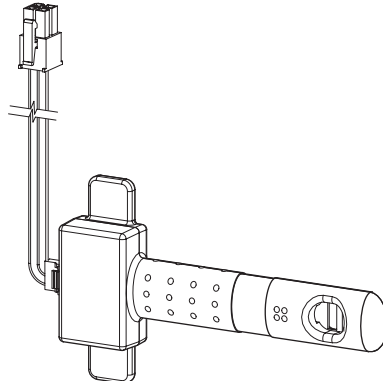


Fig. 1. Airflow Switch.

**FH8000F** – The furnace control EAC terminals provide power to the unit only when the furnace blower is operating. These models are designed to be powered from the electronic air cleaner (EAC) terminals on a furnace control board. If EAC terminals are not available, an alternative airflow sensing mechanism such as the Honeywell 50027910-001 Differential Pressure Switch must be used to ensure the Honeywell Enhanced Air Cleaner is only powered when airflow is present. Contact your local Honeywell distributor for information on alternatives.

# Important Installation Requirements

Failure to comply with these requirements will result in voided warranty, improper installation, and service callbacks.

## Personal Safety

- Wear safety glasses while installing the unit.
- Do not cut into any air conditioning or electrical line.
- Follow professional safety standards and all local codes for plumbing, electrical, and mechanical considerations.

## Before Mounting

- Using the figure on the cover and the lists on the inside cover, make sure that you have all the components for your Honeywell Enhanced Air Cleaner model and the tools to install it.
- Ensure airflow direction through the Honeywell Enhanced Air Cleaner matches the arrows on the face of the filter. The arrows should point towards heating/cooling equipment. The door can be rotated 180 degrees to accommodate the cabinet orientation.
- The location of the Honeywell Enhanced Air Cleaner should be readily accessible. Enough clearance room should be provided for periodic replacement of the filter.

## If Replacing an Old Air Cleaner

If the Honeywell Enhanced Air Cleaner is not identical in size and shape to the existing air cleaner, before performing a retrofit installation, you might need to add duct transitions to ensure a smooth air flow.

## Replacement Filters

**Replacement Filter Table**

Enhanced Air Cleaner	Honeywell Model	Replacement Filter Part Number
Air Handlers	FH8000A1620	FR8000A1620
	FH8000A2020	FR8000A2020
	FH8000A2520	FR8000A2520
Forced Air Furnace	FH8000F1625	FR8000F1625
	FH8000F2025	FR8000F2025

## Choosing a Mounting Method

There are two Honeywell Enhanced Air Cleaner designs. One designed for air handlers and one designed for furnaces. Follow the installation instructions for the Air Cleaner model you have:

### Which Honeywell Enhanced Air Cleaner model do you have?

#### Models FH8000A for air handlers:

These models are installed upstream of the air handler. This will help keep the air handler clean.

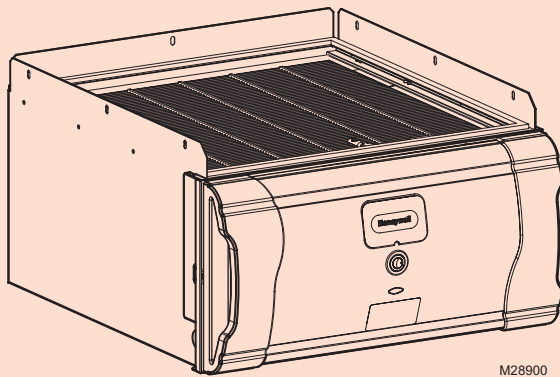


Fig. 2. Model FH8000A Honeywell Enhanced Air Cleaner.

#### Models FH8000F for furnaces:

These models are installed upstream of both the furnace and the air conditioning evaporator coil.

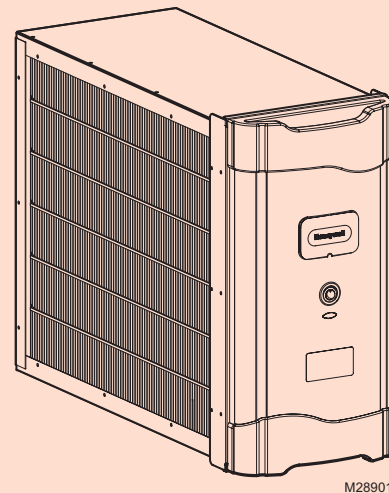


Fig. 3. Model FH8000F Honeywell Enhanced Air Cleaner.

Before beginning Mounting:

- I have confirmed local codes for proper electrical wiring practices.
- I have chosen an installation location that meets the requirements on pages 3 through 5.

**NOTE:** To mount the FH8000A (Air Handler) Honeywell Enhanced Air Cleaner, go to page 7.

**NOTE:** To mount the FH8000F (Furnace) Honeywell Enhanced Air Cleaner, go to page 10:

.....

# Mounting the FH8000A (Air Handler) Honeywell Enhanced Air Cleaner

**NOTE:** For mounting a FH8000F model go to page 10.

**⚠ CAUTION:** Personal Injury Hazard.

Failure to follow this caution may result in personal injury. Sheet metal parts may have sharp edges or burrs. Use care and wear appropriate protective clothing, eye protections, and gloves when handling parts.

---

## STEP ONE: Identify the Mounting Location and Orientation

- Identify a mounting orientation for the Honeywell Enhanced Air Cleaner in the return air duct (see Fig. 4).
- Ensure airflow direction through the Honeywell Enhanced Air Cleaner matches the arrows on the face of the filter. The Honeywell Enhanced Air Cleaner or door can be rotated 180 degrees to accommodate the cabinet orientation.
- The location of the unit should be readily accessible. Enough room should be provided to remove the door and filter for periodic replacement of the air filters.

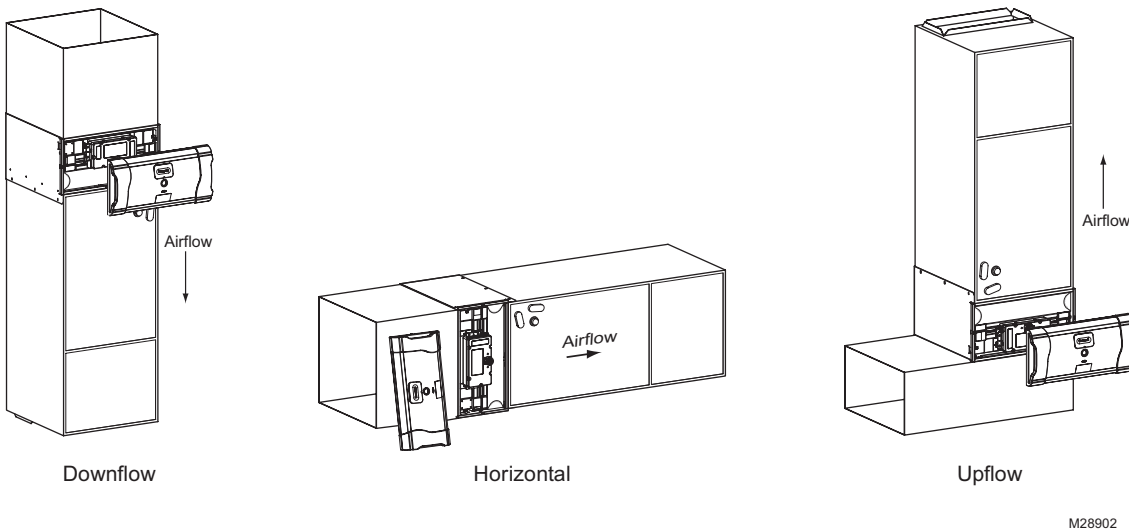


Fig. 4. Cabinet Orientation for FH8000A models.

# Mounting the FH8000A (Air Handler) Honeywell Enhanced Air Cleaner

## STEP TWO: Mount Cabinet

**⚠ WARNING:** Electrocutation and Unit Damage Hazard.

Failure to follow this warning could result in personal injury or death.

Only a trained, experienced service person should install the Honeywell Enhanced Air Cleaner. A thorough check of the unit installation should be completed before unit operation. Before performing installation, service or maintenance operations on unit, turn off all power to unit.

1. Before installing or servicing system, always turn off main power to system. There may be more than one disconnect switch.
2. Cabinets will support a maximum weight of 400 lbs. (181 kg) when installed beneath a vertical furnace or air-handling unit. When setting furnace on cabinet, do not drop it into place. Position the furnace correctly on the cabinet to prevent a corner from slipping down and damaging the cabinet or its components.

- a. Turn off power to the heating and cooling system.
- b. Remove the existing air handler filter and discard. Excessive system static pressure may result if the Honeywell Enhanced Air Cleaner is used with other filtration devices.
- c. Remove the filter and enhancement module from the Honeywell Enhanced Air Cleaner cabinet.
- d. Position the cabinet between the air handler and return air duct (see Fig. 4 on page 7 and Fig. 5). A transition duct may be required.

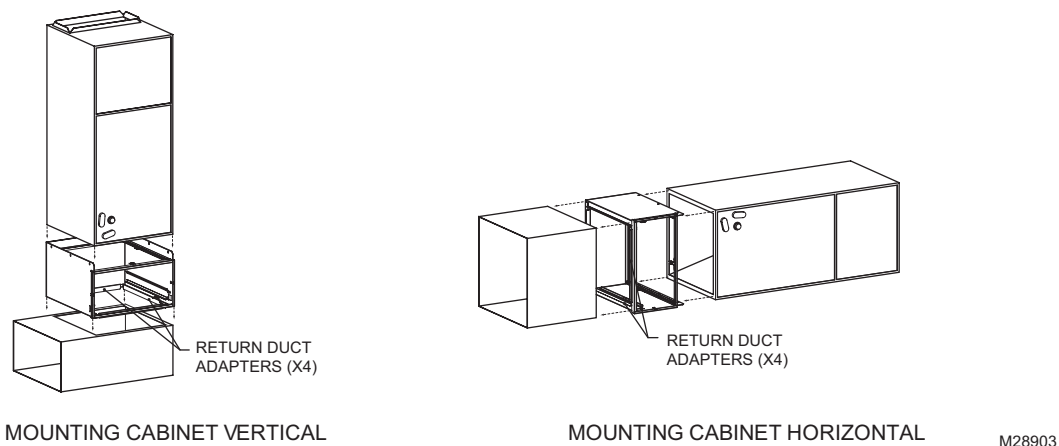


Fig. 5. Orientation for FH8000A models for Air Handlers.

### NOTES:

1. The air handler cabinet screws holding the filter rack should be used to attach the Honeywell Enhanced Air Cleaner cabinet.
2. Gasket tape between the air handler and the Honeywell Enhanced Air Cleaner cabinet is already factory installed.
3. Mounting holes are provided for the air handler attachment.

# Mounting the FH8000A (Air Handler) Honeywell Enhanced Air Cleaner

- e. Use return duct adapters provided to attach return ductwork (see Fig. 6).
- f. Seal seams with tape or caulking after the Honeywell Enhanced Air Cleaner cabinet has been secured.

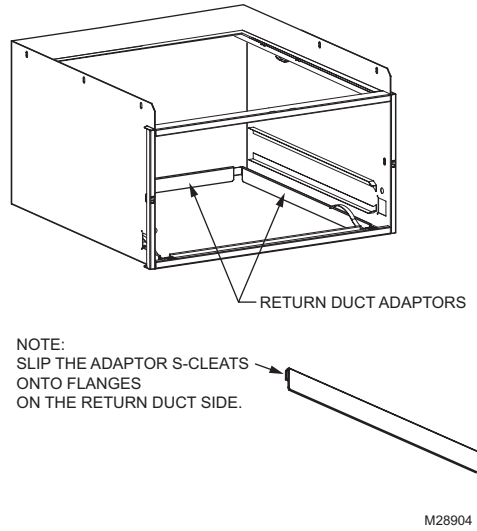


Fig. 6. Use of Return Duct Adapters for FH8000A.

Before proceeding to Wiring on page 14:

I mounted and secured the Honeywell Enhanced Air Cleaner cabinet to the duct as instructed.

**FH8000A Mounting is complete. Go to page 14.**

# Mounting the FH8000F (Furnace) Honeywell Enhanced Air Cleaner

**NOTE:** For mounting a FH8000A model go back to page 7.

**⚠ CAUTION:** Personal Injury Hazard.

Failure to follow this caution may result in personal injury. Sheet metal parts may have sharp edges or burrs. Use care and wear appropriate protective clothing and gloves when handling parts.

## STEP ONE: Identify the Mounting Location and Orientation

- Identify a mounting orientation for the Honeywell Enhanced Air Cleaner in the return air duct. See Fig. 7 and Fig. 8 on page 11.
- Ensure airflow direction through the Honeywell Enhanced Air Cleaner matches the arrows on the face of the air filter cartridge. The Honeywell Enhanced Air Cleaner door can be rotated 180 degrees to accommodate the cabinet orientation.
- The location of the unit should be readily accessible. Enough clearance room should be provided to remove the door and filter for replacement.

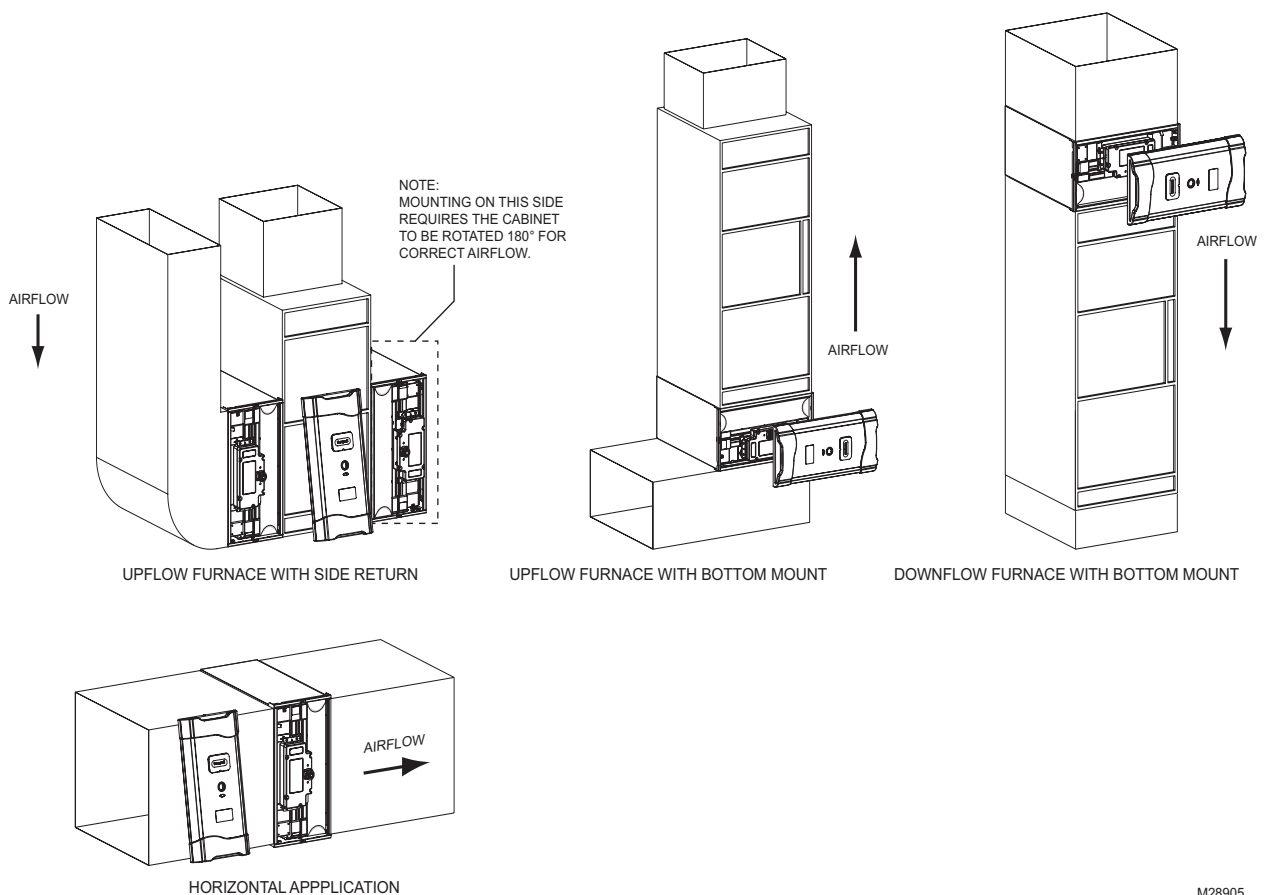


Fig. 7. Cabinet Orientation for FH8000F models.



# Mounting the FH8000F (Furnace) Honeywell Enhanced Air Cleaner

NOTE: WHEN TRANSITIONING BETWEEN TWO DIFFERENT SIZED COMPONENTS (FURNACE AND AIR CLEANER), THE MINIMUM TRANSITION ANGLE AT THE LARGER OF THE TWO COMPONENTS MUST BE NO LESS THAN 45 DEGREES.

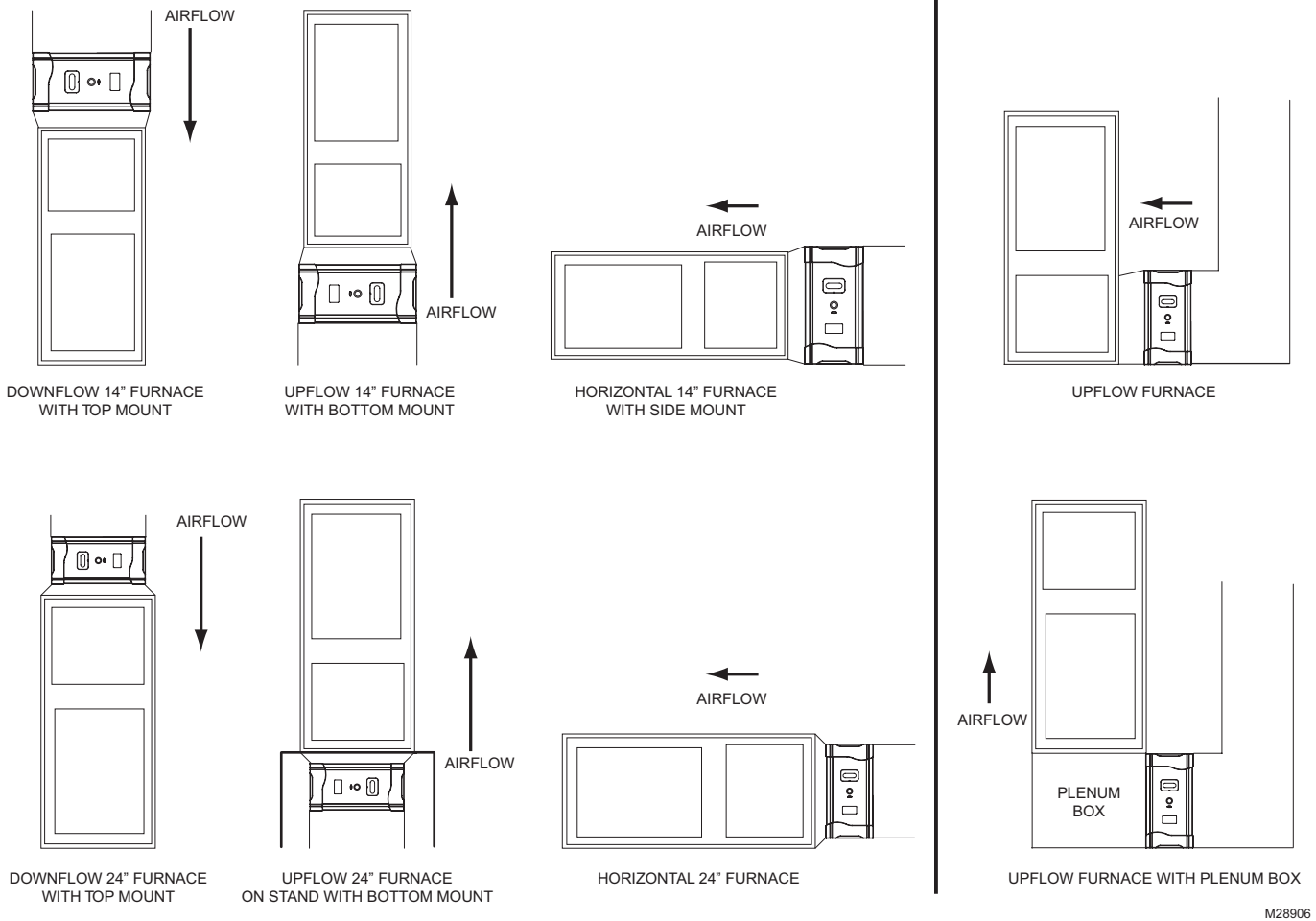


Fig. 8. Cabinet Orientation for FH8000F with Transition.

MOUNTING

# Mounting the FH8000F (Furnace) Honeywell Enhanced Air Cleaner

## STEP TWO: Mount Cabinet

**⚠ WARNING:** Electrocution and Unit Damage Hazard.

Failure to follow this warning could result in personal injury or death.

Only a trained, experienced service person should install the Honeywell Enhanced Air Cleaner. A thorough check of the unit installation should be completed before unit operation. Before performing installation, service or maintenance operations on unit, turn off all power to unit.

1. Before installing or servicing system, always turn off main power to system. There may be more than one disconnect switch.
2. Cabinets will support a maximum weight of 400 lbs. (181 kg) when installed beneath a vertical furnace or air-handling unit. When setting furnace on cabinet, do not drop it into place. Position the furnace correctly on the cabinet to prevent a corner from slipping down and damaging the cabinet or its components.

- a. Turn off power to the heating and cooling system.
- b. Remove the existing furnace filter and discard. Excessive system static pressure may result if the Honeywell Enhanced Air Cleaner is used with other filtration devices.
- c. Remove the filter and enhancement module from the Honeywell Enhanced Air Cleaner cabinet.
- d. Position the cabinet between the furnace and return air duct (see Fig 7 on page 10, Fig. 8 on page 11, Fig. 9, and Fig. 10 on page 13). A transition duct may be required.
- e. Furnace adapters have been included for installer convenience. They are designed for top or bottom mount installations (see Fig 9).

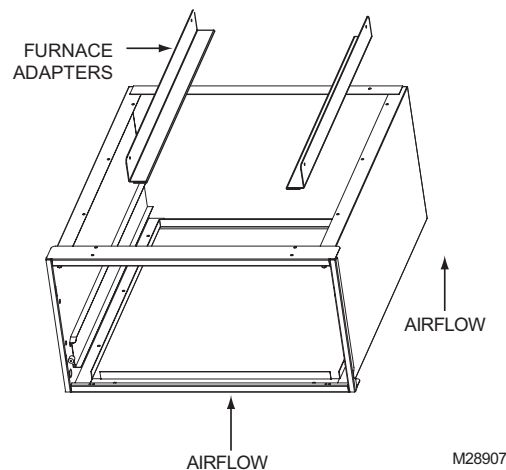


Fig. 9. Use of Furnace Adapters.

# Mounting the FH8000F (Furnace) Honeywell Enhanced Air Cleaner

- f. Return air duct adapters have been included for installer convenience. They should be used to connect the upstream side of the Honeywell Enhanced Air Cleaner cabinet to the return air duct (see Fig. 10).
- g. Install foam tape between the furnace and the Honeywell Enhanced Air Cleaner cabinet.
- h. Mounting holes are provided for ductwork and furnace attachment.
- i. Seal seams with tape or caulking after the Honeywell Enhanced Air Cleaner cabinet has been secured.

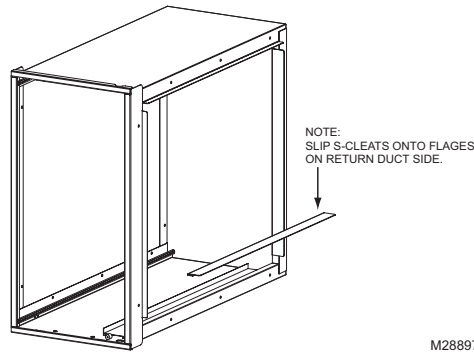


Fig. 10. Use of Return Duct Adapters.

Before proceeding to Wiring on page 14:

I mounted and secured the Honeywell Enhanced Air Cleaner cabinet to the duct as instructed.

**FH8000F Mounting is complete. Go to page 14.**

## Before Wiring the Honeywell Enhanced Air Cleaner



**WARNING: Electrocutation Hazard.**

Be sure the Honeywell Enhanced Air Cleaner is not plugged in before beginning wiring.

Failure to follow this warning could result in personal injury or death.

Before installing or servicing system, always turn off main power to system. There may be more than one disconnect switch.

Before wiring the Honeywell Enhanced Air Cleaner:

I understand and will comply with applicable local wiring codes and regulations.

**NOTE:** To wire the FH8000A models, go to page 15.

**NOTE:** To wire the FH8000F models, go to page 17.

# Wiring the FH8000A (Air Handler) Honeywell Enhanced Air Cleaner

## STEP ONE: Wiring the FH8000A (Air Handler)

- Ensure power has been shut off from the heating and cooling system.
- Turn the Honeywell Enhanced Air Cleaner power switch off.
- Plug the power cord and the airflow switch cord into their power supply connectors (see Fig. 11).
- Secure the power cord ground wire to the ground terminal on the cabinet using the screw provided in the ground terminal (see Fig 11).

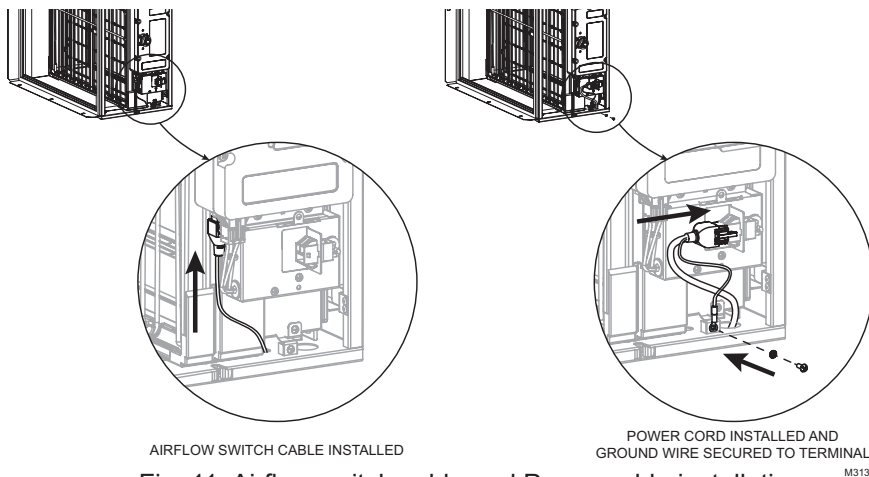


Fig. 11. Airflow switch cable and Power cable installation.

**NOTE:** The power cord can be routed through either side of the cabinet. As needed, use the enclosed Zip ties to secure the power cord to the side of the power supply.

**NOTE:** Cable connector and block-off plates will need to be removed and re-installed if the power cord is re-routed. Screws on the cable connector clamp should be tightened to 9 in-lbs. torque.

**NOTE:** The Air Handler Honeywell Enhanced Air Cleaner is to be powered by 208 to 230 VAC at 60 Hz.

**NOTE:** The Honeywell Enhanced Air Cleaner should only be powered when airflow is present. An airflow switch is factory-installed. See Fig. 1 on page 4 and Fig. 14 on page 16. In order to bypass the airflow sensor for troubleshooting, use the special bypass jumper plug (see Fig. 12) included in the parts bag. With the bypass jumper in place, the air cleaner will be on at all times when connected to electrical line power. The bypass jumper is not to be used for normal operation.

- Attach the quick connect terminals to the fused power connector leads (in parts bag attached to power cord) and connect to incoming field power. The terminals are polarity neutral and can be connected in either polarity. Attach the ground ring to air handler chassis ground (see Fig. 13 on page 16).

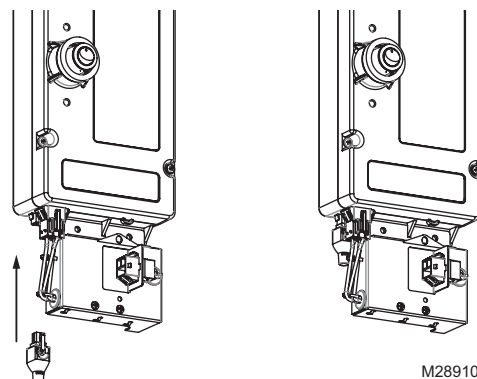
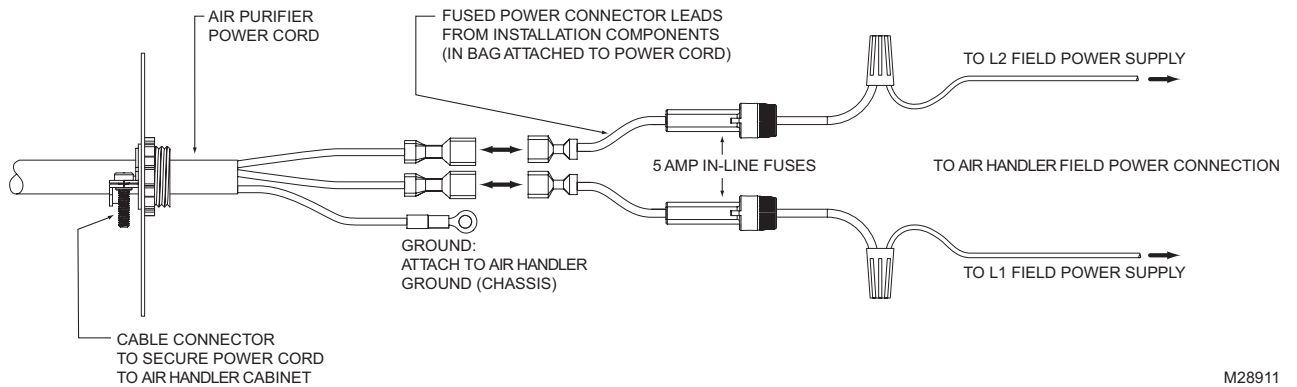


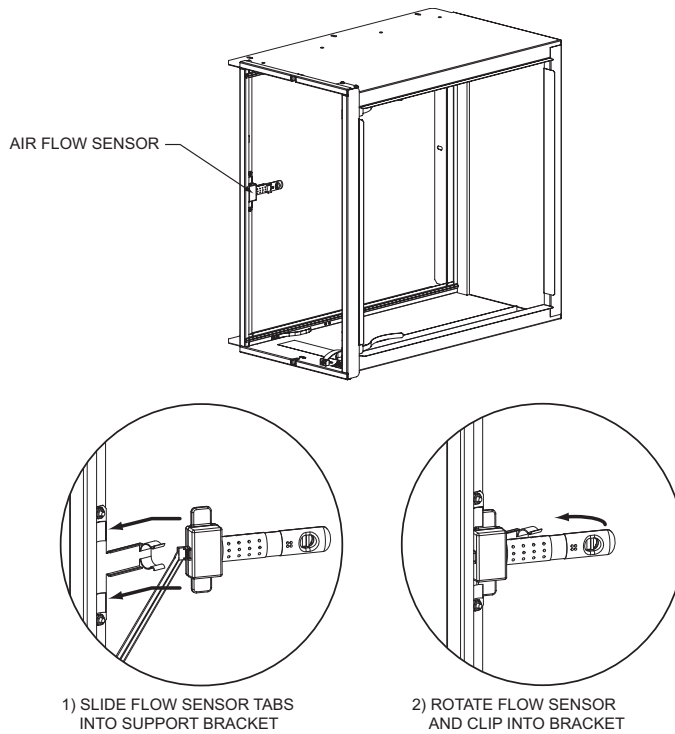
Fig. 12. Airflow sensor Bypass Jumper Plug installed.

# Wiring the FH8000A (Air Handler) Honeywell Enhanced Air Cleaner



M28911

Fig. 13. Honeywell Enhanced Air Handler chassis ground.



M28912

Fig. 14. Airflow Switch installation.

Before proceeding to Startup and Operation on page 19:

I wired the Honeywell Enhanced Air Cleaner as instructed.

**FH8000A Wiring is complete. Go to page 19.**

# Wiring the FH8000F (Furnace) Honeywell Enhanced Air Cleaner

## STEP ONE: Wiring the FH8000F (Furnace)

- Ensure power has been removed from the heating and cooling system.
- Turn the Honeywell Enhanced Air Cleaner power switch off.
- Connect the power cord to the power supply connector (see Fig. 15).
- Secure the power cord ground wire to the ground terminal on the cabinet using the screw provided in the ground terminal (see Fig 15).

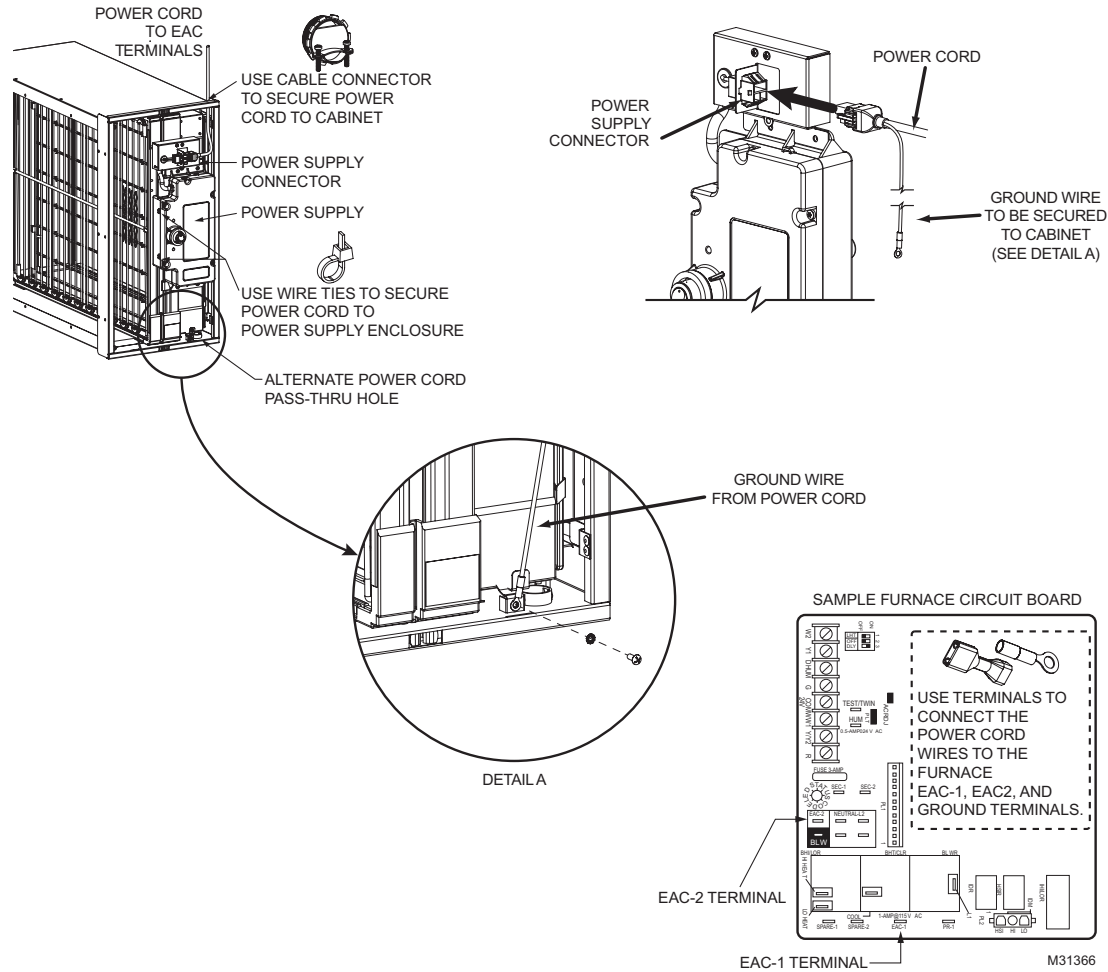


Fig. 15. Electrical connections.

- Route the power cord through nearest cabinet hole and protect with enclosed cable connector. Zip ties have been enclosed to secure the power cord to the side of the power supply.

## Wiring the FH8000F (Furnace) Honeywell Enhanced Air Cleaner

- f. Attach the quick connect terminals to the furnace EAC-1 and EAC-2 spade connections, which are polarity neutral.
- g. Attach the ground ring to furnace chassis ground.

**NOTE:** The FH8000F Honeywell Enhanced Air Cleaner is to be powered by 120 VAC at 60 Hz.

**NOTE:** The Honeywell Enhanced Air Cleaner should only be powered when airflow is present. The furnace control EAC spade connections provide power only when the furnace blower is operating. If EAC connections are not available, an alternative airflow sensing mechanism such as the Honeywell 50027910-001 Differential Pressure Switch must be used to ensure the Honeywell Enhanced Air Cleaner is only powered when airflow is present. Contact a local Honeywell distributor for information on alternative airflow sensors.

Before proceeding to Startup and Operation on page 19:

I wired the Honeywell Enhanced Air Cleaner as instructed.

**FH8000F Wiring is complete. Go to page 19.**



# Startup and Operation

## Checking Air Cleaner Operation

**⚠ WARNING:** Electrocution Hazard.

Failure to follow this warning could result in personal injury or death.

Before installing or servicing system, always turn off main power to system. There may be more than one disconnect switch.

- a. Attach the Honeywell Enhanced Air Cleaner door to the cabinet. A magnet in the door (see Fig. 16) is used to activate a safety switch in the power supply when the door is installed. The power supply will not energize the air cleaner unless the safety switch is activated.

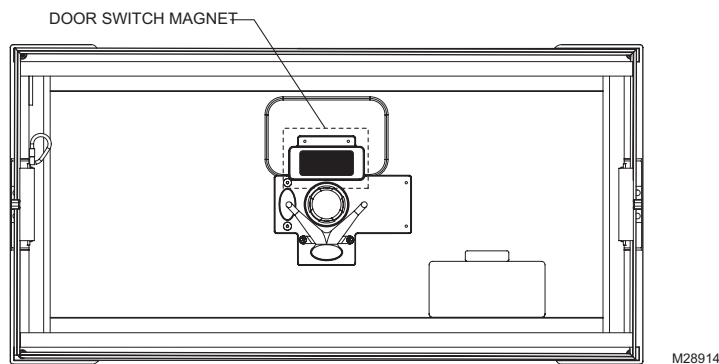


Fig. 16. Door Switch Magnet

- b. Turn the HVAC system power on and adjust the thermostat to activate the system fan.
- c. Turn the Honeywell Enhanced Air Cleaner power switch to on position.
- d. The power indicator light below the Honeywell Enhanced Air Cleaner power switch will illuminate (see Fig. 17).

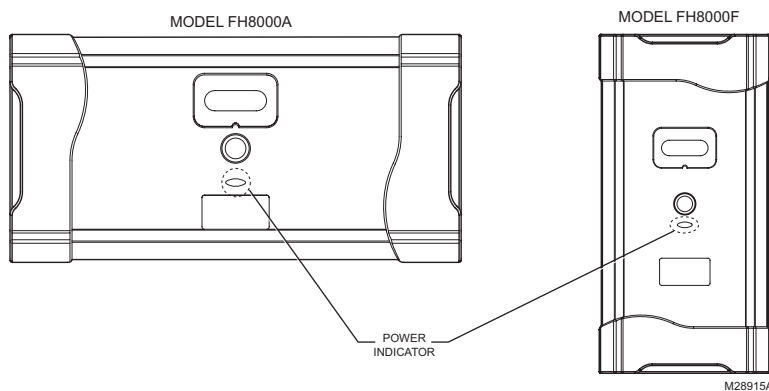


Fig. 17. Power Indicator

- e. Check to ensure the light goes off when the Honeywell Enhanced Air Cleaner power switch is set to off, when the blower goes off, or when the HVAC system power is turned off.

**NOTE:** Upon powerup for the FH8000A models, the light comes on for about 5 seconds and, if no flow is detected, it goes off. If no air filter cartridge is detected, the flow sensor detects this and turns the Honeywell Enhanced Air Cleaner off after about 7 seconds.

## Maintenance

The Honeywell Enhanced Air Cleaner is designed to require minimal maintenance. Maintenance is limited to the replacement of the filter and periodic inspection/brush cleaning of the ionization array. Frequency of air filter cartridge replacement and cleaning of the ionization array may vary depending on ductwork design and local environmental conditions.

### To replace the air filter cartridge, complete the following steps:

1. Turn heating and cooling system power off.

**⚠ WARNING:** Electrocutation Hazard.

Failure to follow this warning could result in personal injury or death.

Before installing or servicing system, always turn off main power to system. There may be more than one disconnect switch.

2. Turn the Honeywell Enhanced Air Cleaner switch to the off position.
3. Remove the Honeywell Enhanced Air Cleaner door.
4. Slide out the old filter and discard.
5. Install the new filter.



Fig. 18: Make sure that the arrows on the filter point in the same direction as the arrow on the enhancement module. This will be in the same direction as airflow.

**NOTE:** Replace filter at least annually; more often if needed.

6. Replace the Honeywell Enhanced Air Cleaner door.
7. Turn the Honeywell Enhanced Air Cleaner switch to the on position.
8. Turn heating and cooling system power on.

# Maintenance

**At the time of filter replacement, if a powdery residue is noticed on the tips of the points in the ionization array of the Enhancement module, proceed to clean them by completing the following steps:**

1. Turn heating and cooling system power off.

**⚠ WARNING:** Electrocutation Hazard.

Failure to follow this warning could result in personal injury or death.

Before installing or servicing system, always turn off main power to system. There may be more than one disconnect switch.

2. Turn the Honeywell Enhanced Air Cleaner switch to the off position.
3. Remove the Honeywell Enhanced Air Cleaner door.
4. **Models FH8000A:** Unplug the power cord and flow sensor cable (if connected) from the enhancement module (see Fig. 11 on page 15).  
**Models FH8000F:** Unplug the power cord from the enhancement module (see Fig. 15 on page 17).
5. Slide out the enhancement module assembly and safety screen.

**⚠ CAUTION:** Personal Injury Hazard.

Failure to follow this caution may result in personal injury.

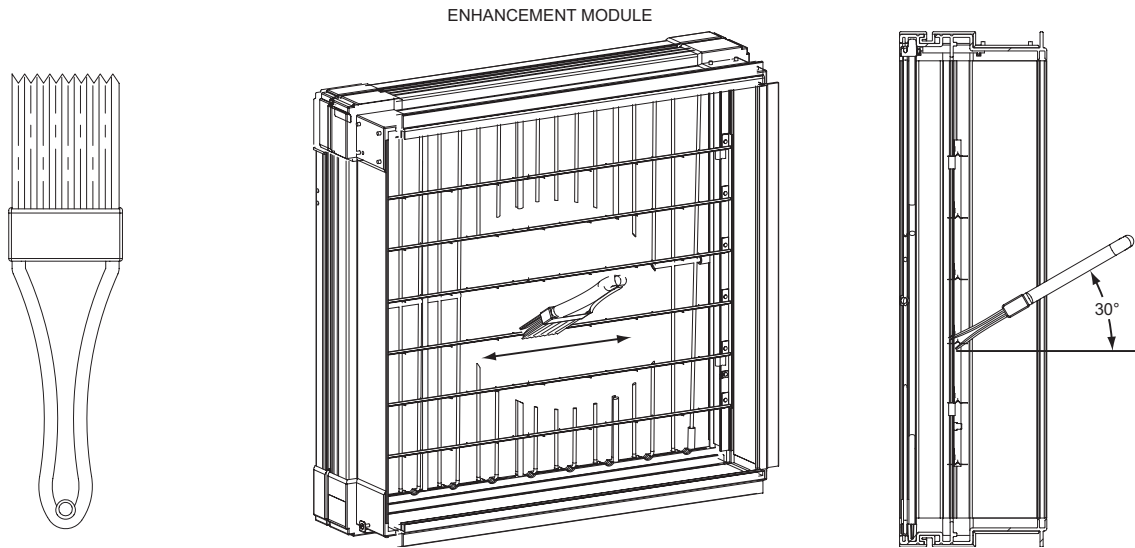
Ionizer points are SHARP and may cause injury. Use caution and wear appropriate protective clothing and gloves when handling parts or performing maintenance.

6. Slide out the Safety Screen and set aside.

**NOTE:** Best cleaning tools: 2 in. (51 mm) wide (or greater) synthetic or natural bristle brush with a 5 in. (157 mm) handle (see Fig. 18) or vacuum cleaner with brush attachment.

7. Gently stroke the ionization points on the top plane of each bar with enough brush depth to hit front and back tips of the points in the ionization array. Use a gentle back and forth brushing motion to clean any small accumulations from the tips of the points. If desired, use vacuum cleaner with brush attachment to gently vacuum the frame and components of enhancement module. (See Fig. 19 on next page.)

# Maintenance



POINTS ARE SHARP! BE VERY CAREFUL DURING CLEANING.



M28916A

Fig. 19. Removal of deposits from ionization points.

8. Reinstall the safety screen.
9. Slide the enhancement module back into cabinet.
10. **Models FH8000A:** Reconnect the power cord and flow sensor cable (see Fig. 11 on page 15).  
**Models FH8000F:** Reconnect the power cord (see Fig. 15 on page 17).
11. Replace the Honeywell Enhanced Air Cleaner door.
12. Turn the Honeywell Enhanced Air Cleaner switch to the on position.
13. Turn heating and cooling system power on.

# Troubleshooting

**⚠ WARNING:** Electrocutation Hazard.

Failure to follow this warning could result in personal injury or death.

The following procedures will expose electrical components. Before servicing, always turn off main power to system. There may be more than one disconnect switch.

**⚠ CAUTION:** Personal Injury Hazard.

Failure to follow this caution may result in personal injury.

The following instructions are for use by qualified personnel only.

The Honeywell Enhanced Air Cleaner is equipped with a power indicator light located on the door (see Fig. 17 on page 19). This power indicator light illuminates when the Honeywell Enhanced Air Cleaner door is installed, the power switch is in the on position, AND the air handler blower or furnace blower is running and (for FH8000A) airflow is sensed. If the power indicator light is not illuminated, follow the troubleshooting steps below.

1. Check that the Honeywell Enhanced Air Cleaner door is installed.

**NOTE:** A magnet in the door (see Fig. 16 on page 19) is used to activate a safety switch in the power supply when the door is installed. The power supply will not energize the air cleaner unless the safety switch is activated.

2. Check that the Honeywell Enhanced Air Cleaner power switch is in the ON position.
3. Confirm that the heating and cooling system blower is operating.
4. Confirm that power is provided.

**Models FH8000A:** 208 to 230 VAC.

**Models FH8000F:** 120 VAC.

5. **Models FH8000A ONLY:** Confirm that the airflow sensor cable is connected to the power supply (see Fig. 11 on page 15).

**NOTE:** Even though power is supplied to the Honeywell Enhanced Air Cleaner, it will not turn on unless the airflow sensor senses airflow or the airflow sensor's bypass plug is inserted.

- a. If still not functioning, disconnect the airflow sensor cable and the power cord from the power supply.
- b. Remove the enhancement module from the Honeywell Enhanced Air Cleaner cabinet and inspect the airflow switch (see Fig. 14 on page 16).
- c. Confirm the airflow switch is properly seated in its bracket and the airflow switch cable is connected to the back of the switch. Replace the enhancement module.
- d. Reconnect the power cord to the power supply and temporarily insert the airflow sensor disable jumper (from parts bag).
- e. If the power indicator light illuminates, then replace the airflow sensor.

## Troubleshooting

6. **Models FH8000F ONLY:** Confirm that power provided from the furnace control EAC terminals is being conducted through the wiring to the Honeywell Enhanced Air Cleaner power supply.
7. Install the door onto the Honeywell Enhanced Air Cleaner.
8. Turn the power switch to the “ON” position.
9. If all of the above steps are completed and the power indicator light is still not illuminating, replace the enhancement module. Note that other than the safety screen, there are no serviceable parts on the enhancement module.

# Specifications, Dimensions, and Approvals

## Specifications

Table 1. Specifications.

Specification	FH8000A 1620	FH8000A 2020	FH8000A 2520	FH8000F 1625	FH8000F 2025
Color	Dark Empire Gray				
Cabinet Material	20 gauge powder coated steel				
Electrical	208 to 230 VAC at 60 Hz, 0.5A max			120 VAC at 60 Hz, 0.5A max	
Operating Temperature Range	-20 to 70 °C (-4 to 158 °F)				
Operating Humidity Range	5% to 95% RH (non-condensing)				
Maximum Airflow (CFM)	1350	1800	2000	1600	2000
Efficiency	Equivalent to MERV 15				
Replacement Filter	FR8000A1620	FR8000A2020	FR8000A2520	FR8000F1625	FR8000F2025
Initial Pressure Drop (in. w.c.) at 492 fpm airflow	0.22 in. w.c.	0.25 in. w.c.	0.22 in. w.c.	0.25 in. w.c.	0.25 in. w.c.

## Dimensions<sup>1</sup>

Table 2. Dimensions in inches and (mm).

Dimensions	FH8000A 1620	FH8000A 2020	FH8000A 2520	FH8000F 1625	FH8000F 2025
A	18 5/8 (473)	22 1/8 (562)	25 5/8 (651)	18 3/8 (467)	21 7/8 (556)
B	15 3/8 (391)	18 7/8 (479)	22 3/8 (568)	15 1/8 (384)	18 5/8 (473)
C	13 1/8 (333)	13 1/8 (333)	13 1/8 (333)	11 1/8 (283)	11 1/8 (283)
D	17 5/8 (448)	21 1/8 (537)	24 5/8 (626)	17 1/2 (445)	21 (533)
E	19 7/8 (505)	19 7/8 (505)	19 7/8 (505)	22 1/8 (562)	22 1/8 (562)
F	22 1/4 (565)	22 1/4 (565)	22 1/4 (565)	25 1/4 (641)	25 1/4 (641)
G	11 1/4 (286)	11 1/4 (286)	11 1/4 (286)	N/A	N/A

## Standards and Approvals

The air cleaner is tested and certified to the following:

- CSA 22.2 No. 187-09
- UL 900 (filter only)

**NOTE:** The Honeywell Enhanced Air Cleaner is CSA certified for shock and electrical fire hazard only.

<sup>1</sup> See Fig. 21 on page 27 for dimensioned drawings.

# Specifications, Dimensions, and Approvals

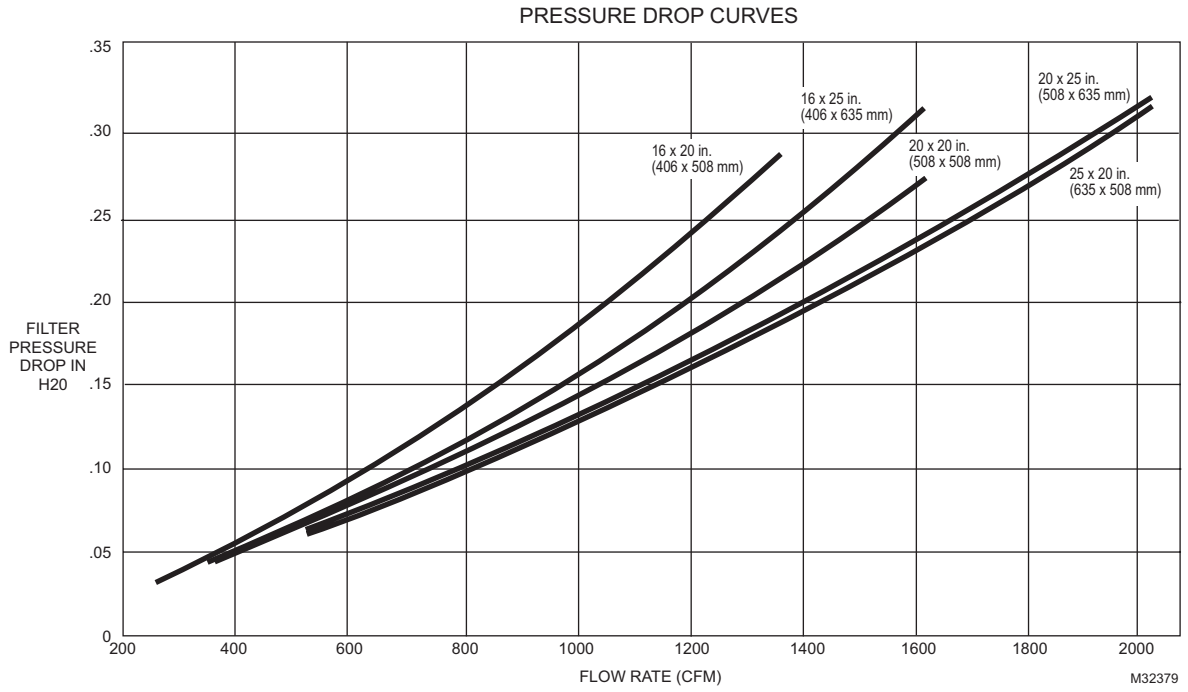


Fig. 20. Pressure Drop Curves



# Specifications, Dimensions, and Approvals

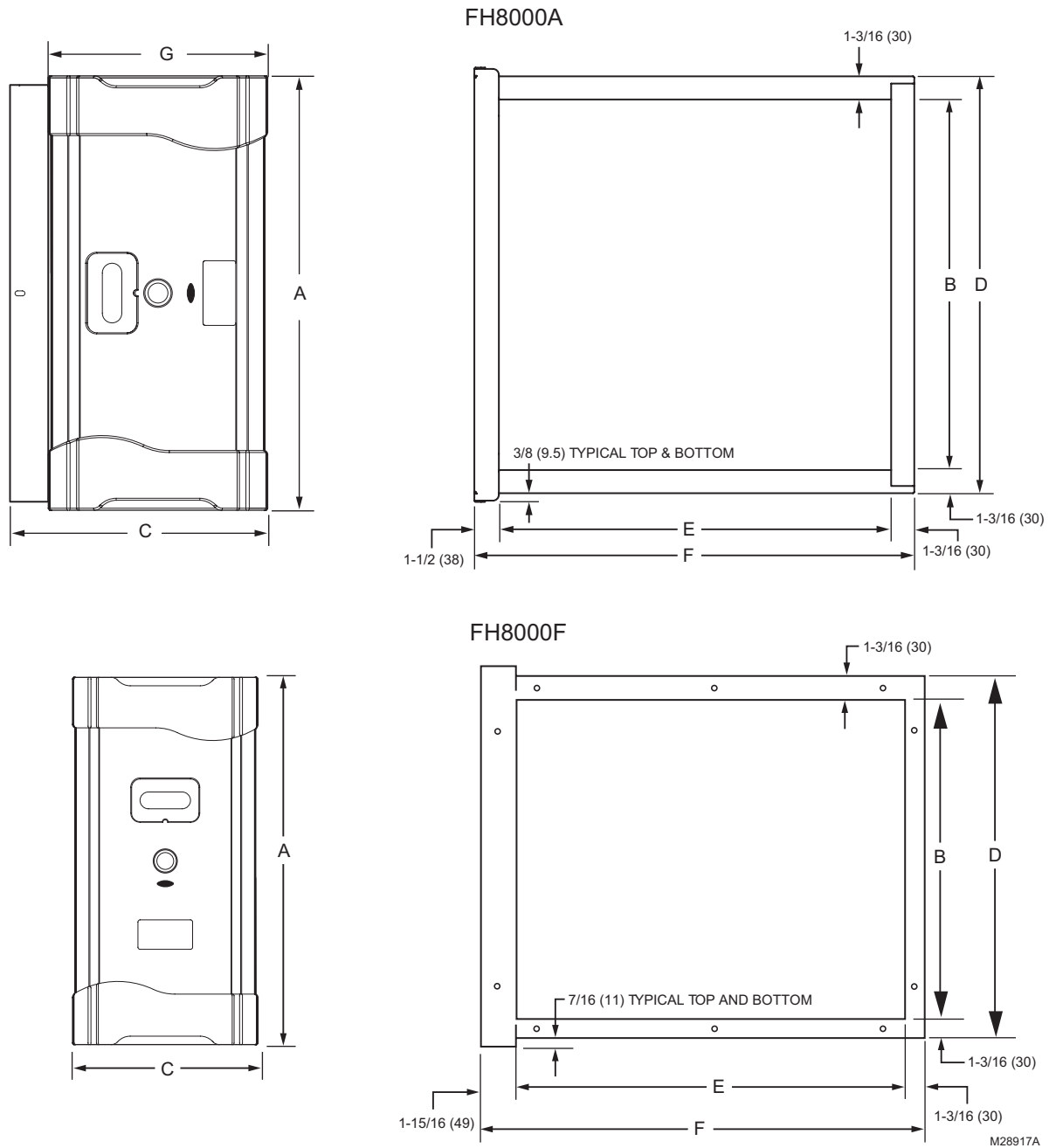
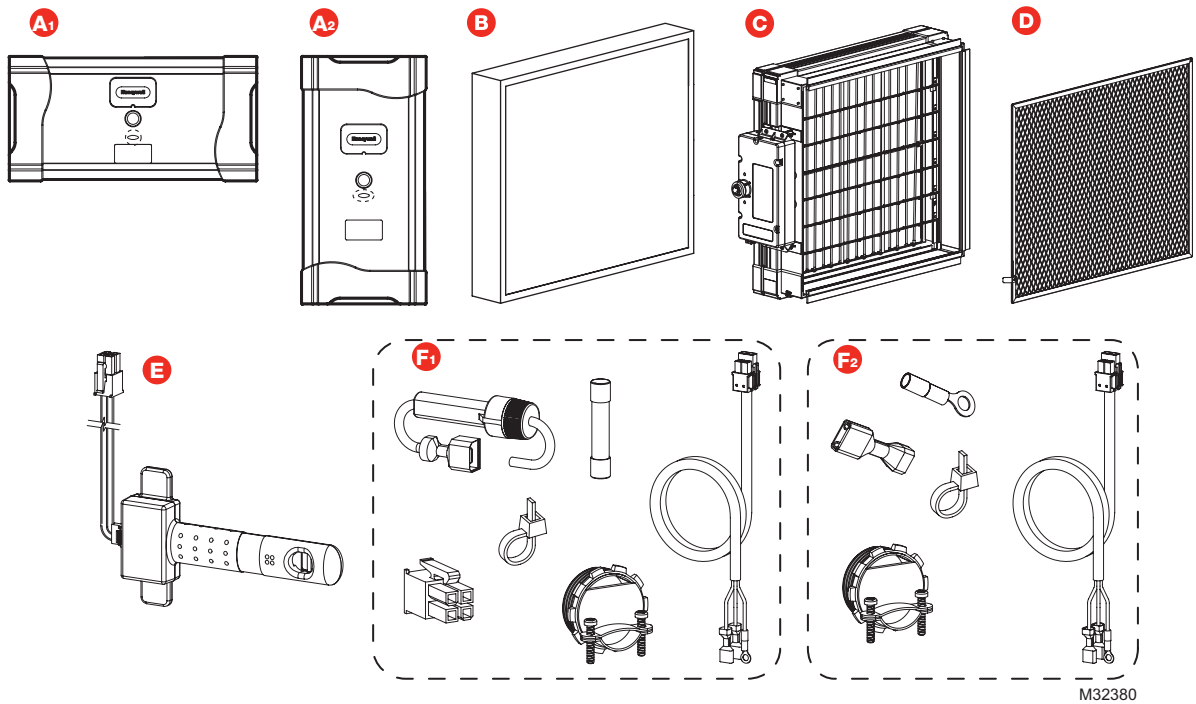


Fig. 21. Dimensions in inches (mm).<sup>1</sup>

<sup>1</sup> See Table 2 on page 25 for lettered dimensions.

# TrueCLEAN™ Parts List

		FH8000F1625	FH8000F2025	FH8000A1620	FH8000A2020	FH8000A2520
A	Door	50053268-006	50053268-007	50053268-008	50053268-009	50053268-010
B	Filter	FR8000F1625	FH8000F2025	FH8000A1620	FH8000A2020	FH8000A2520
C	Enhancement Module	50053268-001	50053268-002	50053268-003	50053268-004	50053268-005
D	Safety Screen	50053268-011	50053268-012	50053268-013	50053268-014	50053268-015
E	Air Flow Sensor	NA		50053268-018		
F	Power Cord & Accessories (Installation Components)	50053268-016		50053268-017		



- A<sub>1</sub>** Door FH8000A.
- A<sub>2</sub>** Door FH8000F
- B** Filter
- C** Enhancement module
- D** Safety screen
- E** Air flow sensor (FH8000A)
- F<sub>1</sub>** Power Cord & Accessories (Installation Components FH8000A)
- F<sub>2</sub>** Power Cord & Accessories (Installation Components FH8000F)

## 5-Year Limited Warranty

Honeywell warrants this product to be free from defects in the workmanship or materials, under normal use and service, for a period of five (5) years from the date of purchase by the consumer. If at any time during the warranty period the product is determined to be defective or malfunctions, Honeywell shall repair or replace it (at Honeywell's option).

If the product is defective,

- (i) return it, with a bill of sale or other dated proof of purchase, to the place from which you purchased it; or
- (ii) call Honeywell Customer Care at 1-800-468-1502. Customer Care will make the determination whether the product should be returned to the following address: Honeywell Return Goods, Dock 4 MN10-3860, 1985 Douglas Dr. N., Golden Valley, MN 55422, or whether a replacement product can be sent to you.

This warranty does not cover removal or reinstallation costs. This warranty shall not apply if it is shown by Honeywell that the defect or malfunction was caused by damage which occurred while the product was in the possession of a consumer.

Honeywell's sole responsibility shall be to repair or replace the product within the terms stated above.

HONEYWELL SHALL NOT BE LIABLE FOR ANY LOSS OR DAMAGE OF ANY KIND, INCLUDING ANY INCIDENTAL OR CONSEQUENTIAL DAMAGES RESULTING, DIRECTLY OR INDIRECTLY, FROM ANY BREACH OF ANY WARRANTY, EXPRESS OR IMPLIED, OR ANY OTHER FAILURE OF THIS PRODUCT. Some states do not allow the exclusion or limitation of incidental or consequential damages, so this limitation may not apply to you.

THIS WARRANTY IS THE ONLY EXPRESS WARRANTY HONEYWELL MAKES ON THIS PRODUCT. THE DURATION OF ANY IMPLIED WARRANTIES, INCLUDING THE WARRANTIES OF MERCHANTABILITY AND FITNESS FOR A PARTICULAR PURPOSE, IS HEREBY LIMITED TO THE FIVE-YEAR DURATION OF THIS WARRANTY. Some states do not allow limitations on how long an implied warranty lasts, so the above limitation may not apply to you.

This warranty gives you specific legal rights, and you may have other rights which vary from state to state.

If you have any questions concerning this warranty, please write Honeywell Customer Relations, 1985 Douglas Dr, Golden Valley, MN 55422 or call 1-800-468-1502. In Canada, write Retail Products ON15-02H, Honeywell Limited/Honeywell Limitée, 35 Dynamic Drive, Toronto, Ontario M1V4Z9.

**Automation and Control Solutions**

Honeywell International Inc.

1985 Douglas Drive North

Golden Valley, MN 55422

Honeywell Limited–Honeywell Limitée

35 Dynamic Drive

Toronto, Ontario M1V 4Z9

<http://yourhome.honeywell.com>

**Honeywell**

© U.S. Registered Trademark  
© 2011 Honeywell International Inc.  
68-0308EFS—03 M.S. Rev. 01-11  
Printed in U.S.A.

## Épurateur d'air amélioré TrueCLEAN™

Dimensions : Unité de traitement de l'air 16x20, 20x20, 25x20 • Générateur d'air chaud 16x25 et 20x25

PROFESSIONAL INSTALLATION GUIDE  
GUIDE D'INSTALLATION PROFESSIONNELLE  
GUÍA DE INSTALACIÓN PROFESIONAL

POUR  
COMMENCER

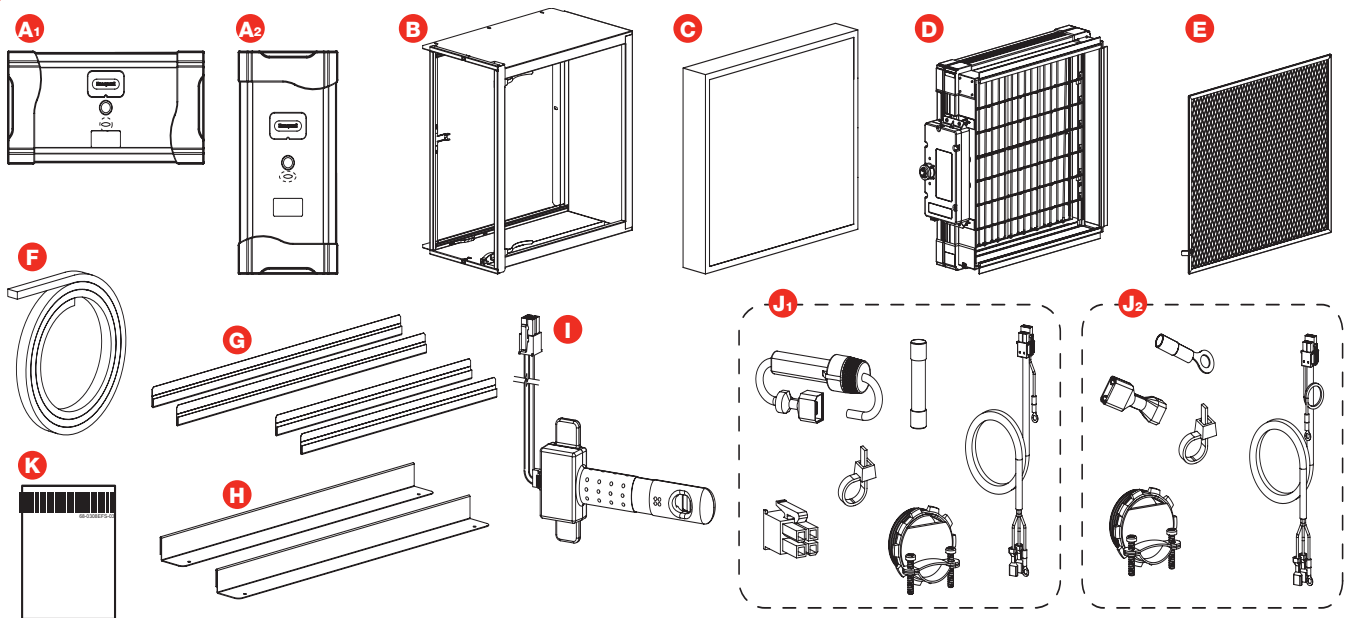
MONTAGE

CÂBLAGE

FONCTIONNEMENT  
ET REPARATION

ANNEXES

### INCLUS DANS LA BOÎTE DE L'ÉPURATEUR D'AIR AMÉLIORÉ



M28898

#### Outils requis pour installer l'épurateur d'air amélioré

- ▶ Tournevis normal
- ▶ Tournevis cruciforme
- ▶ Cisailles à tôle
- ▶ Perceuse
- ▶ Produit d'étanchéité de gaine

#### Tableau des filtres de rechange

Épurateur d'air amélioré	Modèle Honeywell	Référence du filtre de rechange
Unités de traitement de l'air	FH8000A1620	FR8000A1620
	FH8000A2020	FR8000A2020
	FH8000A2520	FR8000A2520
Générateurs d'air chaud à air pulsé	FH8000F1625	FR8000F1625
	FH8000F2025	FR8000F2025

- A<sub>1</sub>** Porte FH8000A
- A<sub>2</sub>** Porte FH8000F
- B** Armoire
- C** Filtre
- D** Module d'amélioration
- E** Grille de sécurité
- F** Ruban pour joints de gaine
- G** Adaptateurs de gaine de retour
- H** Adaptateurs de générateur d'air chaud (FH8000F)
- I** Capteur de débit d'air (FH8000A)
- J<sub>1</sub>** Organes d'installation (FH8000A)
- J<sub>2</sub>** Organes d'installation (FH8000F)
- K** Notice d'installation



# Épurateur d'air amélioré TrueCLEAN™

## POUR COMMENCER

Qu'attendre de votre épurateur d'air amélioré TrueCLEAN™ Honeywell .....	2
Fonctionnement .....	2
Considérations relatives à l'application .....	3
Exigences d'installation importantes.....	5
Sécurité personnelle.....	5

## MONTAGE

Choix d'une méthode de montage.....	6
Quel modèle d'épurateur d'air amélioré de Honeywell possédez-vous? .....	6
Montage de l'épurateur d'air amélioré FH8000A Honeywell (Unité de traitement de l'air) .....	7
Montage de l'épurateur d'air amélioré FH8000F Honeywell (Générateur d'air chaud) .....	10

## CÂBLAGE

Avant le câblage de l'épurateur d'air amélioré de Honeywell .....	14
Câblage de l'épurateur d'air amélioré FH8000A Honeywell (Unité de traitement de l'air) .....	15
Câblage de l'épurateur d'air amélioré FH8000F Honeywell (Générateur d'air chaud) .....	17

## FONCTIONNEMENT ET RÉPARATION

Démarrage et fonctionnement.....	19
Vérification du fonctionnement de l'épurateur d'air .....	19
Entretien .....	20
Dépannage .....	22

## ANNEXES

Spécifications, dimensions et homologations .....	24
Liste des pièces.....	28
Garantie .....	29

POUR  
COMMENCER

MONTAGE

CÂBLAGE

FONCTIONNEMENT  
ET RÉPARATION

ANNEXES



**BESOIN D'AIDE?** Pour obtenir de l'aide sur ce produit, prière de visiter le site <http://yourhome.honeywell.com>

ou d'appeler le service d'assistance à la clientèle de Honeywell au 1-800-468-1502.

## Lire et conserver ces instructions.

© Marque de commerce déposée américaine. Brevets en instance. Copyright © 2010 Honeywell International Inc. Tous droits réservés.

Épurateur d'air amélioré TrueCLEAN™ 68-0308EFS—03

# Qu'attendre de votre épurateur d'air amélioré TrueCLEAN™ Honeywell

Félicitations pour votre choix de l'épurateur d'air amélioré TrueCLEAN™ Honeywell pour votre système de confort d'intérieur! L'épurateur d'air amélioré de Honeywell a fait ses preuves en matière de retrait et d'élimination des bactéries et allergènes présents dans l'air, y compris des virus, bactéries et spores de moisissures de l'air passant par le filtre. L'épurateur d'air amélioré de Honeywell est une pierre d'angle des solutions de confort d'intérieur de Honeywell visant à fournir un air plus propre dans les résidences.

L'installateur doit considérer ces points avec le propriétaire et répondre à toute question avant de quitter le site des travaux.

## Lors de l'installation du produit...

1. Lire attentivement ces instructions. Le non-respect des instructions peut endommager le produit ou provoquer une situation dangereuse.
2. Vérifier les caractéristiques nominales indiquées dans les instructions et sur le produit pour s'assurer que le produit correspond bien à l'application prévue.
3. L'installateur doit être un technicien expérimenté ayant reçu la formation adéquate.
4. Une fois l'installation terminée, vérifier que le produit fonctionne comme indiqué dans ces instructions.

## Fonctionnement

L'épurateur d'air amélioré TrueCLEAN™ de Honeywell assure une filtration extrêmement performante, tout en éliminant les contaminants piégés, notamment les virus, bactéries et spores de moisissures. L'épurateur d'air amélioré de Honeywell traite la totalité du flux d'air grâce à un processus de pointe à trois étapes.

### Étape 1

Au cours de la première étape, les particules dans l'air sont électriquement chargées par un réseau de points d'ionisation tandis qu'elles pénètrent dans l'épurateur d'air amélioré de Honeywell.

### Étape 2

Au cours de l'étape 2, les particules chargées sont électriquement attirées et capturées dans la cartouche du filtre à air, qui est situé dans un champ électrique.

### Étape 3

Au cours de l'étape 3, les particules capturées sont éliminées par un courant électrique et un bombardement d'ions.

.....



## Considérations relatives à l'application

L'épurateur d'air amélioré de Honeywell est conçu pour une utilisation dans la gaine d'air de retour des systèmes de chauffage, refroidissement et ventilation à air forcé. Les modèles FH8000A1620, FH8000A2020 et FH8000A2520 sont spécifiquement conçus pour être utilisés par les systèmes équipés d'une unité de traitement de l'air. Les modèles FH8000F1625 et FH8000F2025 sont spécifiquement conçus pour une utilisation dans les systèmes de générateurs d'air chaud à air pulsé. L'épurateur d'air amélioré de Honeywell est certifié CSA pour les chocs et les incendies électriques uniquement.

### Climatisation

L'épurateur d'air amélioré de Honeywell doit être installé dans un système de sorte que la totalité de l'air de retour y circule. Il doit être installé en amont de l'équipement de climatisation. Ceci permet de maintenir la propreté de l'équipement et d'empêcher la condensation de se former dans l'épurateur d'air amélioré de Honeywell.

### Humidificateurs

Un humidificateur à évaporation peut être monté en amont de l'épurateur d'air amélioré de Honeywell. Il est préférable d'installer les humidificateurs à atomisation en aval de l'épurateur d'air amélioré de Honeywell pour ne pas que les dépôts de sel de l'eau dure et les gouttes d'eau endommagent le filtre. Si un humidificateur à atomisation doit être monté en amont de l'épurateur d'air amélioré de Honeywell, il doit être monté autant en amont que possible (au moins 1,8 m [6 pi] recommandés), et un filtre pour générateur d'air chaud jetable standard doit être monté entre l'humidificateur et l'épurateur d'air amélioré de Honeywell pour piéger les dépôts de sel de l'eau dure et les gouttes d'eau.

### Transitions

Si les ouvertures de gaines d'air de retour et de ventilo-convecteur ne correspondent pas à la taille des ouvertures de l'armoire de l'épurateur d'air amélioré de Honeywell, des transitions graduelles sont recommandées pour réduire les turbulences de l'air et maximiser l'efficacité.

**FH8000A** – Une expansion de 20° (environ 4 po par pied de longueur) maximum doit être utilisée de chaque côté du raccord de transition.

**FH8000F** – Une expansion de 45° (environ 8,5 po par pied de longueur) maximum doit être utilisée de chaque côté du raccord de transition.

### Aubes directrices

Si l'épurateur d'air amélioré de Honeywell est installé adjacent à un coude de gaine de 90°, des aubes directrices doivent être installées dans la gaine pour améliorer la distribution de l'air sur la surface de l'épurateur d'air amélioré de Honeywell.

## Considérations relatives à l'application

### Alimentation électrique / Interrupteur de débit d'air

L'épurateur d'air amélioré de Honeywell ne doit être mis en marche que lorsqu'un débit d'air est présent.

**FH8000A** – Ces modèles sont conçus pour une utilisation avec une unité de traitement de l'air et sont munis d'un interrupteur de débit d'air (voir Fig. 1), qui fournit une alimentation uniquement lorsque le ventilateur de l'unité de traitement de l'air est en marche. Ces modèles sont conçus pour être alimentés par une source d'alimentation à phase unique de 208 à 230 V c.a.

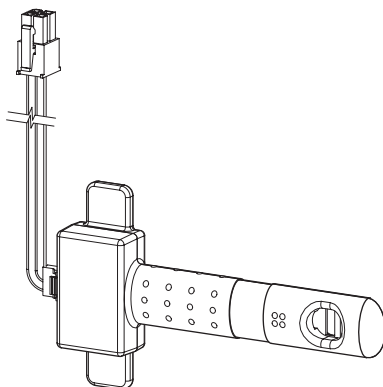


Fig. 1. Interrupteur de débit d'air.

**FH8000F** – Les bornes de l'épurateur d'air électronique du régulateur du générateur d'air chaud alimentent l'unité uniquement lorsque la soufflante du générateur d'air chaud fonctionne. Ces modèles sont conçus pour être alimentés à partir des bornes de l'épurateur d'air électronique sur le tableau de contrôle de générateur d'air chaud. Si les bornes de l'épurateur à air électronique ne sont pas disponibles, un autre mécanisme de détection du débit d'air, tel que le pressostat différentiel 50027910-001 de Honeywell, doit être utilisé pour garantir que l'épurateur à air amélioré de Honeywell est uniquement alimenté lorsqu'un débit d'air est présent. Contacter le distributeur Honeywell local pour obtenir des informations sur d'autres solutions.

# Exigences d'installation importantes

**Le non-respect de ces exigences annulera la garantie, nuira à l'installation et entraînera des appels de service injustifiés.**

## Sécurité personnelle

- Porter des lunettes de protection lors de l'installation de l'unité.
- Veiller à ne pas entailler la conduite électrique ou de climatisation.
- Respecter les normes de sécurité professionnelles et les codes de plomberie et d'électricité et d'installations mécaniques.

## Avant le montage

- En consultant la figure sur le couvercle et les listes dans le couvercle intérieur, s'assurer que tous les composants requis pour le modèle d'épurateur d'air amélioré de Honeywell et tous les outils pour l'installation sont présents.
- S'assurer que la direction du débit d'air par l'épurateur d'air amélioré de Honeywell correspond aux flèches sur la face du filtre. Les flèches doivent pointer vers l'équipement de chauffage/refroidissement. La porte peut être tournée de 180° pour accommoder l'orientation de l'armoire.
- L'emplacement de l'épurateur d'air amélioré de Honeywell doit être facilement accessible. Un dégagement suffisant doit être assuré pour les remplacements périodiques du filtre.

## Pour le remplacement d'un ancien épurateur d'air

Si l'épurateur d'air amélioré de Honeywell n'est pas identique au filtre à air existant en matière de taille et de forme, avant d'effectuer une installation de modernisation, il peut être nécessaire d'ajouter des transitions de gaine pour assurer un débit d'air régulier.

## Filtres de rechange

**Tableau des filtres de rechange**

Épurateur d'air amélioré	Modèle Honeywell	Référence du filtre de rechange
Unités de traitement de l'air	FH8000A1620	FR8000A1620
	FH8000A2020	FR8000A2020
	FH8000A2520	FR8000A2520
Générateurs d'air chaud à air pulsé	FH8000F1625	FR8000F1625
	FH8000F2025	FR8000F2025

## Choix d'une méthode de montage

L'épurateur d'air amélioré de Honeywell est disponible en deux conceptions. L'une conçue pour les unités de traitement de l'air, et l'autre pour les générateurs d'air chauds. Suivre la notice d'installation correspondant au modèle d'épurateur d'air en question :

### Quel modèle d'épurateur d'air amélioré de Honeywell possédez-vous?

#### Modèles FH8000A pour unités de traitement de l'air :

Ces modèles s'installent en amont de l'unité de traitement de l'air. Ceci permet de maintenir la propreté de l'unité de traitement de l'air.

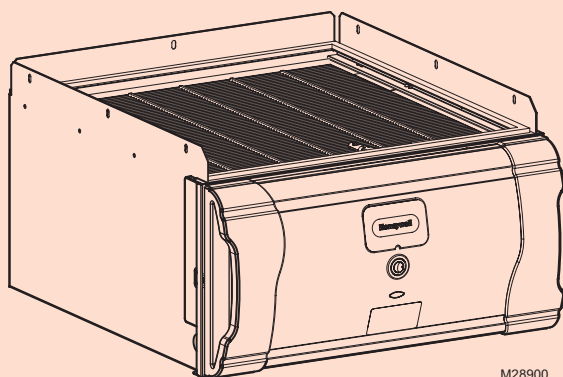


Fig. 2. Épurateur d'air amélioré de Honeywell modèles FH8000A.

#### Modèles FH8000F pour générateur d'air chaud :

Ces modèles s'installent en amont du générateur d'air chaud et en amont du serpentin évaporateur du système de climatisation. Fig. 3. Épurateur d'air amélioré de Honeywell modèles FH8000F.

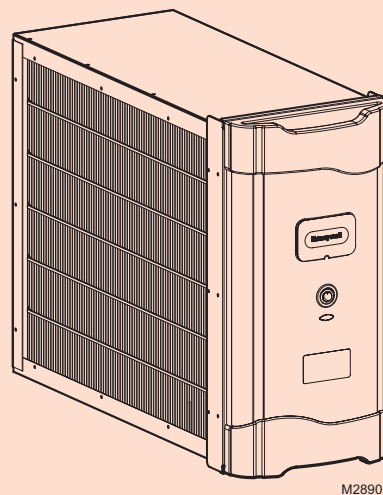


Fig. 3. Épurateur d'air amélioré de Honeywell modèles FH8000F

Avant de commencer le montage :

- J'ai confirmé que les codes locaux relatifs aux pratiques de câblage électrique sont respectés.
- J'ai choisi un emplacement d'installation qui répond aux exigences des pages 3 à 5.

**REMARQUE :** Pour monter l'épurateur d'air amélioré de Honeywell FH8000A (Unité de traitement de l'air), aller à la page 7.

**REMARQUE :** Pour monter l'épurateur d'air amélioré de Honeywell FH8000F (Générateur d'air chaud), aller à la page 10.

# Montage de l'épurateur d'air amélioré FH8000A Honeywell (Unité de traitement de l'air)

**REMARQUE :** Pour monter un modèle FH8000F, aller à la page 10.

**⚠ MISE EN GARDE :** Risque de blessures.

Le non-respect de cette mise en garde peut causer des blessures. Les pièces en tôle peuvent avoir des rebords coupants. Faire preuve de prudence et porter des vêtements de protection, des protections oculaires et des gants appropriés lors de manipulations des pièces.

## ÉTAPE 1 : Identifier l'emplacement et l'orientation de montage

- Identifier un emplacement de montage de l'épurateur d'air amélioré de Honeywell dans la gaine d'air de retour (voir Fig. 4).
- S'assurer que la direction du débit d'air par l'épurateur d'air amélioré de Honeywell correspond aux flèches sur la face du filtre. La porte de l'épurateur d'air amélioré de Honeywell peut être tournée de 180° pour accommoder l'orientation de l'armoire.
- L'emplacement de l'unité doit être facilement accessible. Un dégagement suffisant doit être fourni pour pouvoir retirer la porte et le filtre pour les remplacements périodiques du filtre à air.

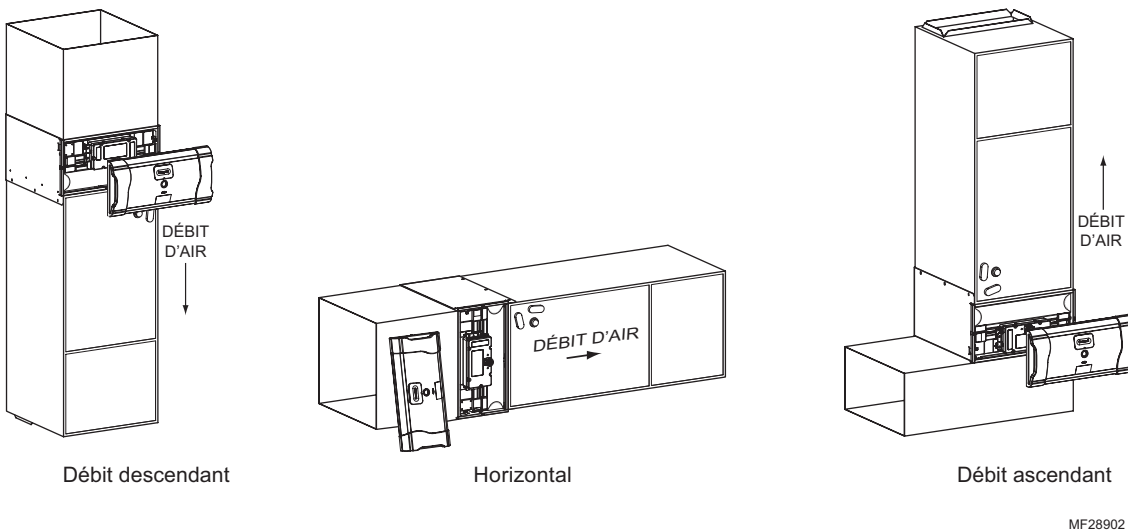


Fig. 4. Orientation de l'armoire pour les modèles FH8000A.

# Montage de l'épurateur d'air amélioré FH8000A Honeywell (Unité de traitement de l'air)

## ÉTAPE 2 : Montage de l'armoire

**⚠ AVERTISSEMENT :** Risque d'électrocution et de dégâts de l'unité.

Le non-respect de cette mise en garde peut causer des blessures ou le décès.

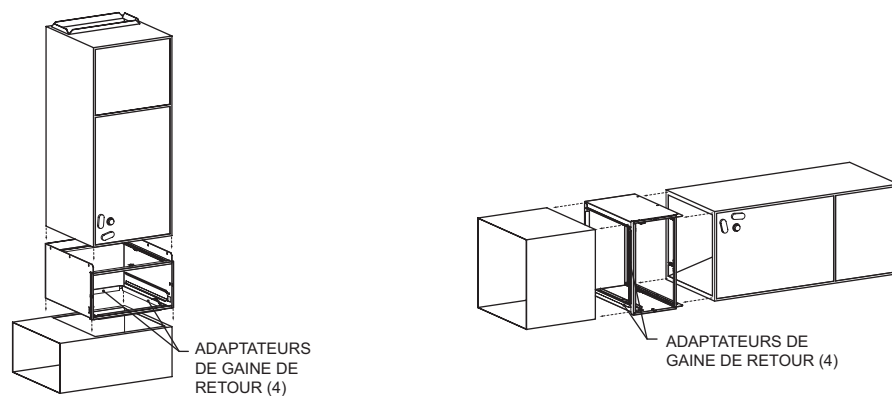
Seul un technicien d'entretien formé et expérimenté doit installer l'épurateur d'air amélioré de Honeywell.

Une vérification intégrale de l'installation de l'unité doit être terminée avant de faire fonctionner l'unité. Avant d'effectuer l'installation, l'entretien ou des réparations sur l'unité, couper toute l'alimentation vers l'unité.

1. Avant d'installer ou de réparer le système, toujours couper l'alimentation principale vers le système. Il peut y avoir plus d'un sectionneur.

2. Les armoires supportent un poids maximum de 181 kg (400 lb) lorsqu'elles sont installées sous un générateur d'air chaud ou une unité de traitement de l'air verticale. Lorsque le générateur d'air chaud est installé sur l'armoire, ne pas le laisser tomber en position. Placer correctement le générateur d'air chaud sur l'armoire pour éviter qu'un coin ne glisse et n'endommage l'armoire ou ses composants.

- Couper l'alimentation vers le système de chauffage et de refroidissement.
- Retirer le filtre à air existant de l'unité de traitement de l'air et le jeter. Une pression statique excessive du système peut être causée si l'épurateur d'air amélioré de Honeywell est utilisé avec d'autres dispositifs de filtration.
- Retirer le filtre et le module d'amélioration de l'armoire de l'épurateur d'air amélioré de Honeywell.
- Placer l'armoire entre l'unité de traitement de l'air et la gaine d'air de retour (voir Fig. 4 page 7 et Fig. 5). Une gaine de transition peut être requise.



MONTAGE VERTICAL DE L'ARMOIRE

MONTAGE HORIZONTAL DE L'ARMOIRE

MF28903

Fig. 5. Orientation des modèles FH8000A pour les unités de traitement de l'air.

### REMARQUES :

- Les vis de l'armoire de l'unité de traitement de l'air maintenant le plateau du filtre doivent être utilisées pour attacher l'armoire de l'épurateur d'air amélioré.
- Le ruban de joint entre l'unité de traitement de l'air et l'armoire de l'épurateur d'air amélioré de Honeywell est déjà installé en usine.
- Les trous de montage sont fournis pour la fixation de l'unité de traitement de l'air.

## Montage de l'épurateur d'air amélioré FH8000A Honeywell (Unité de traitement de l'air)

- e. Utiliser les adaptateurs de gaine de retour fournis pour attacher les gaines de retour (voir Fig. 6).
- f. Appliquer du ruban ou de l'enduit sur les jointures après avoir attaché l'armoire de l'épurateur d'air amélioré de Honeywell.

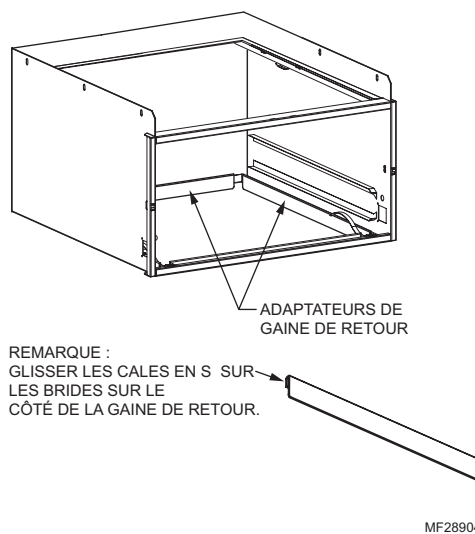


Fig. 6. Utilisation des adaptateurs de gaine de retour pour les modèles FH8000A.

Avant de procéder au câblage page 14 :

- J'ai monté et fixé l'armoire de l'épurateur d'air amélioré de Honeywell à la gaine conformément aux instructions.

**Le montage des modèles FH8000A est terminé. Passer à la page 14.**

# Montage de l'épurateur d'air amélioré FH8000F Honeywell (Générateur d'air chaud)

**REMARQUE :** Pour monter un modèle FH8000A revenir à la page 7.

**⚠ MISE EN GARDE :** Risque de blessures.

Le non-respect de cette mise en garde peut causer des blessures. Les pièces en tôle peuvent avoir des rebords coupants. Faire preuve de prudence et porter des vêtements de protection et des gants appropriés lors de manipulations des pièces.

## ÉTAPE 1 : Identifier l'emplacement et l'orientation de montage

- Identifier un emplacement de montage de l'épurateur d'air amélioré de Honeywell dans la gaine d'air de retour. Voir Fig. 7 et Fig. 8 page 11.
- S'assurer que la direction du débit d'air par l'épurateur d'air amélioré de Honeywell correspond aux flèches sur la face de la cartouche du filtre à air. La porte de l'épurateur d'air amélioré de Honeywell peut être tournée de 180° pour accommoder l'orientation de l'armoire.
- L'emplacement de l'unité doit être facilement accessible. Un dégagement suffisant doit être assuré pour retirer la porte et remplacer le filtre.

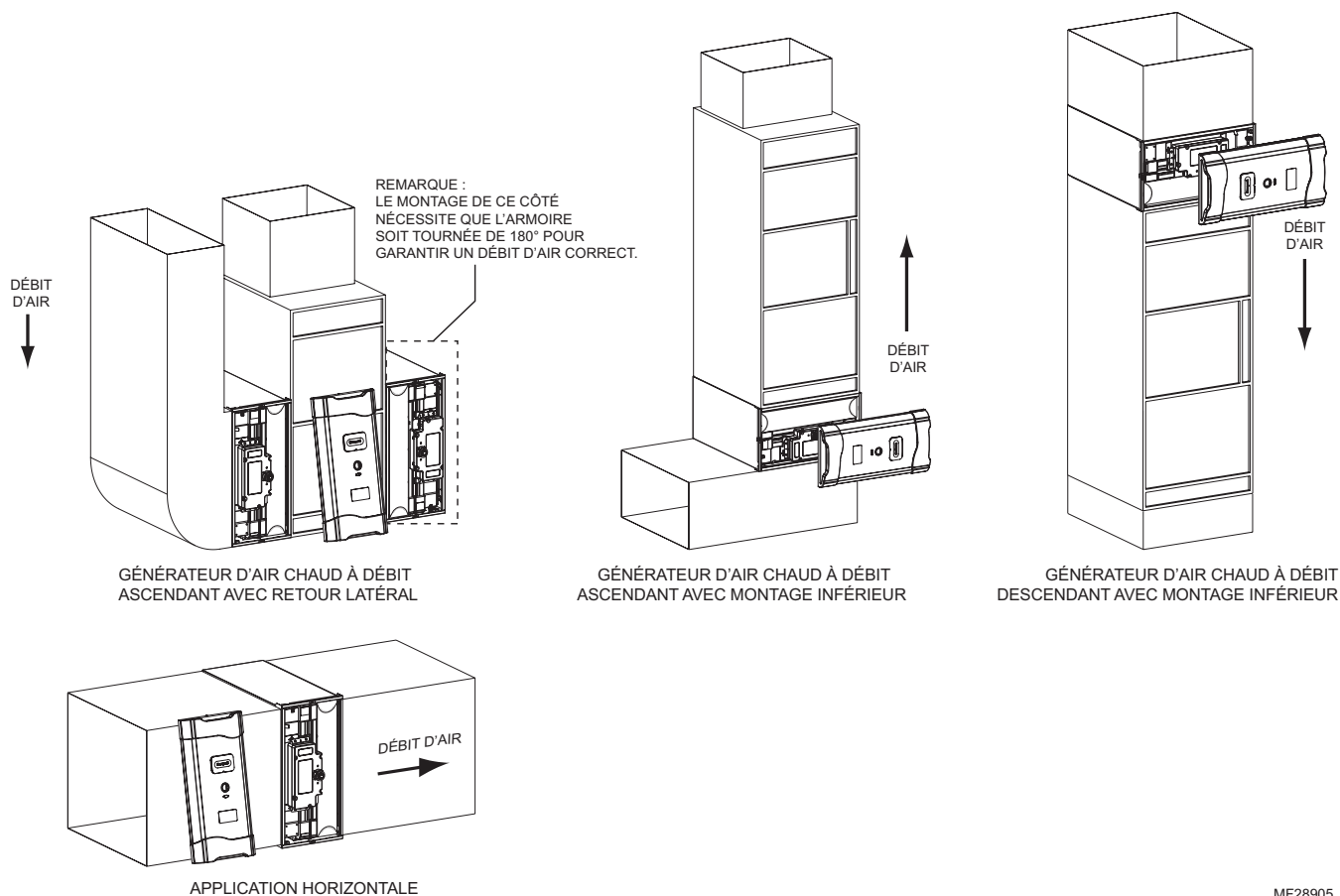


Fig. 7. Orientation de l'armoire pour les modèles FH8000F.



# Montage de l'épurateur d'air amélioré FH8000F Honeywell (Générateur d'air chaud)

REMARQUE : LORS DE LA TRANSITION ENTRE DEUX COMPOSANTS DE TAILLE DIFFÉRENTE (GÉNÉRATEUR D'AIR CHAUD ET UNITÉ DE TRAITEMENT DE L'AIR), L'ANGLE DE TRANSITION MINIMUM AU NIVEAU DU COMPOSANT LE PLUS GRAND NE DOIT PAS ÊTRE INFÉRIEUR À 45°.

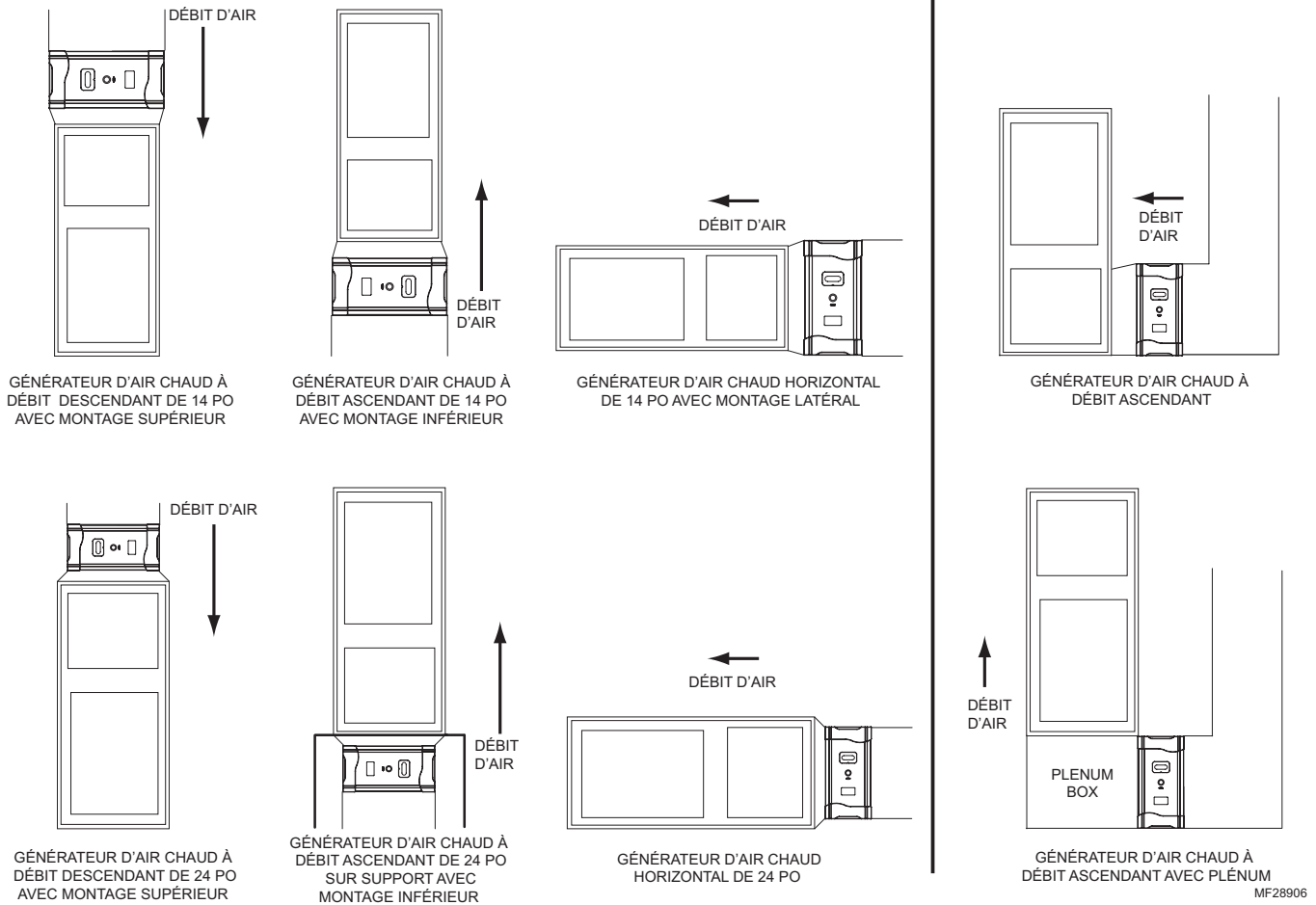


Fig. 8. Orientation de l'armoire pour les modèles FH8000F avec transition.

MONTAGE

# Montage de l'épurateur d'air amélioré FH8000F Honeywell (Générateur d'air chaud)

## ÉTAPE 2 : Montage de l'armoire

**⚠ AVERTISSEMENT** : Risque d'électrocution et de dégâts de l'unité.

Le non-respect de cette mise en garde peut causer des blessures ou le décès.

Seul un technicien d'entretien formé et expérimenté doit installer l'épurateur d'air amélioré de Honeywell. Une vérification intégrale de l'installation de l'unité doit être terminée avant de faire fonctionner l'unité. Avant d'effectuer l'installation, l'entretien ou des réparations sur l'unité, couper toute l'alimentation vers l'unité.

1. Avant d'installer ou de réparer le système, toujours couper l'alimentation principale vers le système. Il peut y avoir plus d'un sectionneur.

2. Les armoires supportent un poids maximum de 181 kg (400 livres) lorsqu'elles sont installées sous un générateur d'air chaud ou une unité de traitement de l'air verticale. Lorsque le générateur d'air chaud est installé sur l'armoire, ne pas le laisser tomber en position. Placer correctement le générateur d'air chaud sur l'armoire pour éviter qu'un coin ne glisse et n'endommage l'armoire ou ses composants.

- a. Couper l'alimentation vers le système de chauffage et de refroidissement.
- b. Retirer le filtre du générateur d'air chaud existant et le jeter. Une pression statique excessive peut être causée si l'épurateur d'air amélioré de Honeywell est utilisé avec d'autres dispositifs de filtration.
- c. Retirer le filtre et le module d'amélioration de l'armoire de l'épurateur d'air amélioré de Honeywell.
- d. Placer l'armoire entre le générateur d'air chaud et la gaine d'air de retour (voir Fig. 7 page 10, Fig. 8 page 11, Fig. 9 et Fig. 10 page 13). Une gaine de transition peut être requise.
- e. Des adaptateurs de générateur d'air chaud sont inclus pour la commodité de l'installateur. Ils sont conçus pour les installations à montage inférieur ou supérieur (voir Fig. 9).

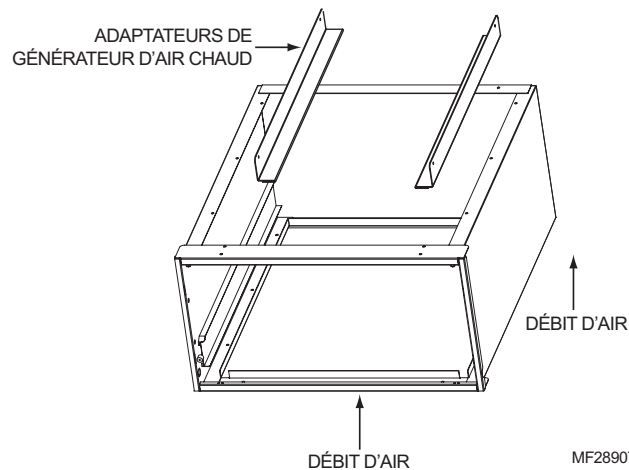


Fig. 9. Utilisation d'adaptateurs de générateur d'air chaud.

## Montage de l'épurateur d'air amélioré FH8000F Honeywell (Générateur d'air chaud)

- f. Des adaptateurs de gaine d'air de retour sont inclus pour la commodité de l'installateur. Ils doivent être utilisés pour connecter le côté débit ascendant de l'armoire de l'épurateur d'air amélioré de Honeywell à la gaine d'air de retour (voir Fig. 10).
- g. Installer de l'isolant adhésif entre le générateur d'air chaud et l'armoire de l'épurateur d'air amélioré de Honeywell.
- h. Des trous de montage sont fournis pour la fixation des gaines et du générateur d'air chaud.
- i. Appliquer du ruban ou de l'enduit sur les jointures après avoir attaché l'armoire de l'épurateur d'air amélioré de Honeywell.

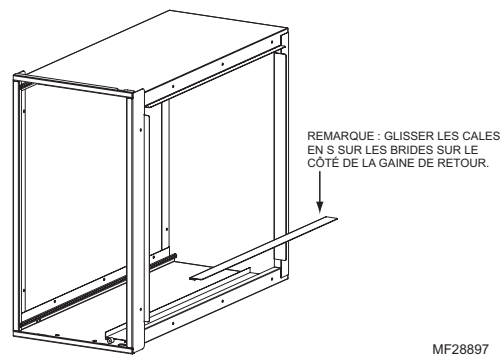


Fig. 10. Utilisation d'adaptateurs de gaine de retour.

Avant de procéder au câblage page 14 :

- J'ai monté et fixé l'armoire de l'épurateur d'air amélioré de Honeywell à la gaine conformément aux instructions.

**Le montage des modèles FH8000F est terminé. Passer à la page 14.**

## Avant le câblage de l'épurateur d'air amélioré de Honeywell



**AVERTISSEMENT** : Risque d'électrocution.

S'assurer que l'épurateur d'air amélioré de Honeywell n'est pas branché avant de commencer le câblage.

Le non-respect de cette mise en garde peut causer des blessures ou le décès.

Avant d'installer ou de réparer le système, toujours couper l'alimentation principale vers le système. Il peut y avoir plus d'un sectionneur.

Avant le câblage de l'épurateur d'air amélioré de Honeywell :

J'ai compris tous les codes et règlements de câblage en vigueur et je les appliquerai.

**REMARQUE** : Pour le câblage des modèles FH8000A, passer à la page 15.

**REMARQUE** : Pour le câblage des modèles FH8000F, passer à la page 17.

# Câblage de l'épurateur d'air amélioré FH8000A Honeywell (Unité de traitement de l'air)

## ÉTAPE 1 : Câblage de l'épurateur d'air amélioré FH8000A Honeywell (Unité de traitement de l'air)

- S'assurer que l'alimentation est coupée du système de chauffage et de refroidissement.
- Mettre l'interrupteur d'alimentation de l'épurateur d'air amélioré de Honeywell sur arrêt.
- Brancher le cordon d'alimentation et le cordon de l'interrupteur de débit d'air dans leurs connecteurs d'alimentation (voir Fig. 11).
- Attacher le fil de masse du cordon d'alimentation à la borne de masse de l'armoire en utilisant la vis fournie dans la borne de masse (voir la Fig. 11).

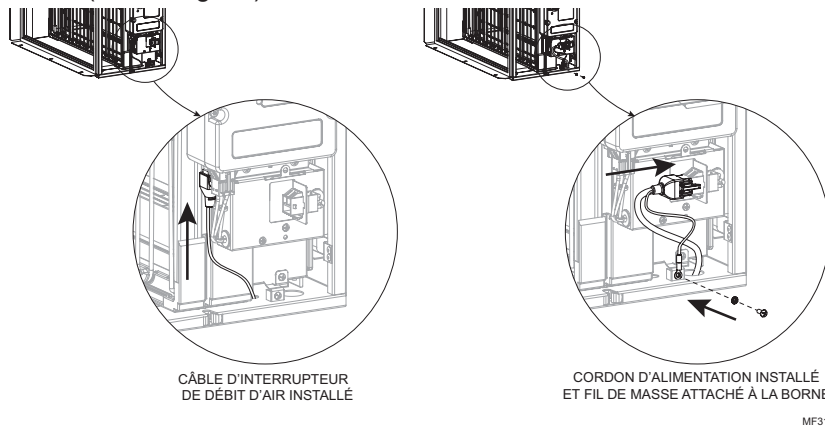


Fig. 11. Installation du câble de l'interrupteur de débit d'air et du câble d'alimentation.

### REMARQUES :

- Le cordon d'alimentation peut être acheminé d'un côté ou de l'autre de l'armoire. Selon le besoin, utiliser les attaches mono-usage pour fixer le cordon sur le côté du bloc d'alimentation.
  - Le connecteur de câble et les plaques de blocage doivent être retirés et réinstallés si le cordon est réacheminé. Les vis du collier du connecteur de câble doivent être serrées à un couple de 9 po-lb.
  - L'épurateur d'air amélioré de Honeywell pour unité de traitement de l'air doit être alimenté à 208-230 V c.a. à 60 Hz.
  - L'épurateur d'air amélioré de Honeywell ne doit être mis en marche que lorsqu'un débit d'air est présent. Un interrupteur de débit d'air est installé en usine. Voir Fig. 1 page 4 et Fig. 14 page 16. Pour contourner le capteur de débit d'air pour le dépannage, utiliser la prise du cavalier de dérivation spécial (voir Fig. 12) inclus dans le sac des pièces. Avec le cavalier de dérivation installé, l'épurateur d'air fonctionnera en permanence lorsque connecté à l'alimentation secteur. Le cavalier de dérivation ne doit pas être utilisé pour le fonctionnement normal.
- e. Attacher les bornes de connexion rapide aux fils du connecteur d'alimentation à fusible (dans le sac de pièces attaché au cordon) et brancher sur l'alimentation d'arrivée. Les bornes ont une polarité neutre et peuvent être connectées dans l'une ou l'autre polarité. Attacher l'anneau de masse à la masse du châssis de l'unité de traitement de l'air (voir Fig. 13 page 16).

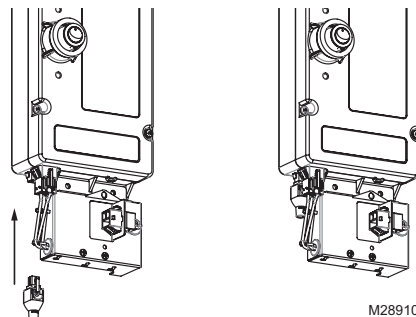
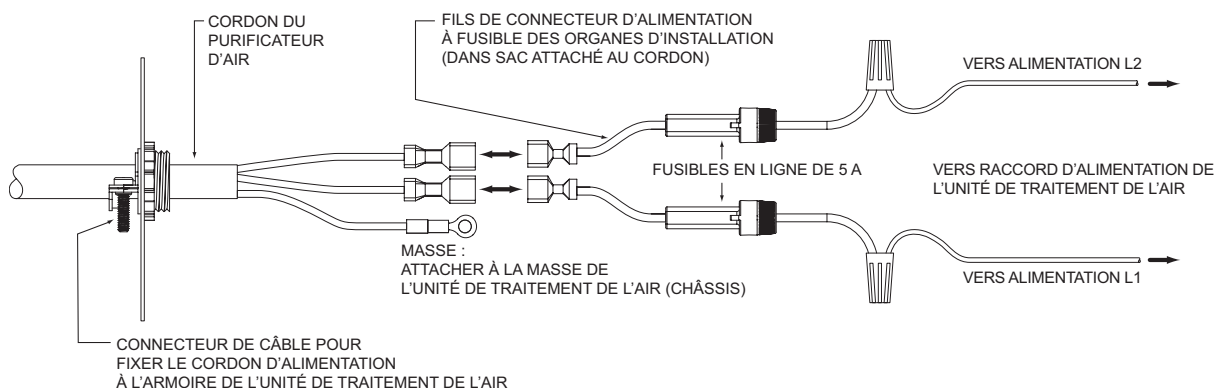


Fig. 12. Fiche de cavalier de dérivation de capteur de débit d'air installé.

## Câblage de l'épurateur d'air amélioré FH8000A Honeywell (Unité de traitement de l'air)



MF28911

Fig. 13. Masse du châssis de l'unité de traitement de l'air amélioré Honeywell.

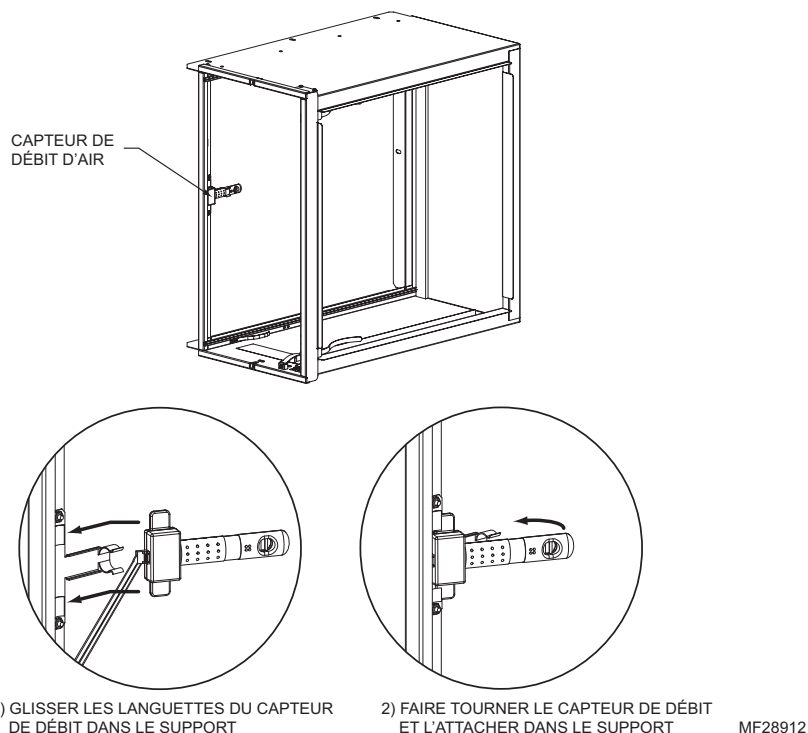


Fig. 14. Installation de l'interrupteur de débit d'air.

Avant de passer au Démarrage et fonctionnement page 19 :

J'ai branché l'épurateur d'air amélioré de Honeywell conformément aux instructions.

**Le câblage des modèles FH8000A est terminé. Passer à la page 19.**

# Câblage de l'épurateur d'air amélioré FH8000F Honeywell (Générateur d'air chaud)

## ÉTAPE 1 : Câblage de l'épurateur d'air amélioré FH8000F Honeywell (Générateur d'air chaud)

- S'assurer que l'alimentation est coupée du système de chauffage et de refroidissement.
- Mettre l'interrupteur d'alimentation de l'épurateur d'air amélioré de Honeywell sur arrêt.
- Brancher le cordon d'alimentation au raccord d'alimentation (voir Fig. 15).
- Attacher le fil de masse du cordon d'alimentation à la borne de masse de l'armoire en utilisant la vis fournie dans la borne de masse (voir la Fig. 15).

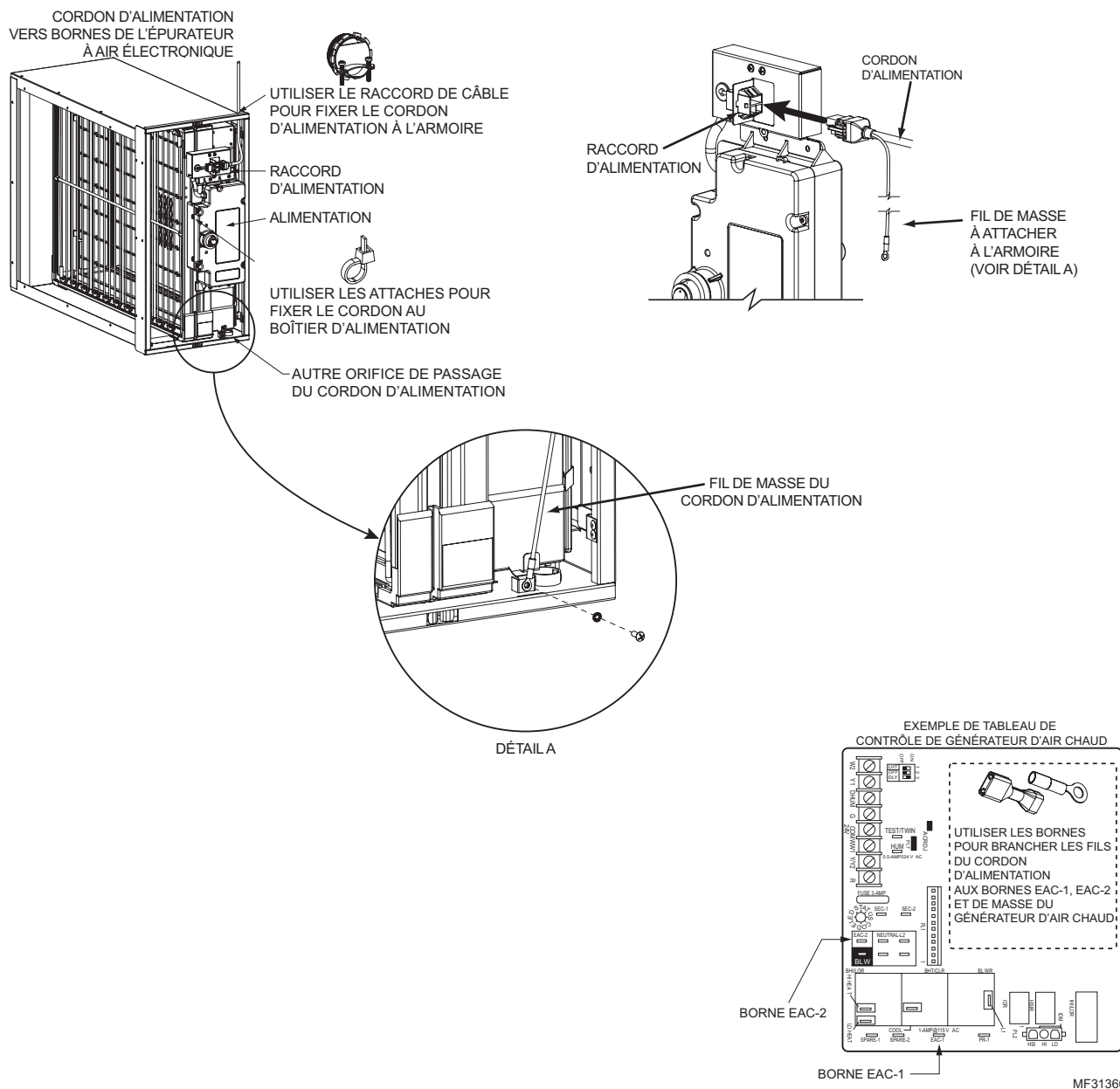


Fig. 15. Connexions électriques.

- Acheminer le cordon par l'orifice d'armoire le plus proche et protéger avec le connecteur de câble fourni. Des attaches mono-usage sont fournies pour attacher le cordon sur le côté du bloc d'alimentation.

## Câblage de l'épurateur d'air amélioré FH8000F Honeywell (Générateur d'air chaud)

- f. Attacher les bornes à connexion rapide aux cosses ouvertes EAC-1 et EAC-2, qui ont une polarité neutre.
- g. Attacher l'anneau de masse à la masse du châssis du générateur d'air chaud.

**REMARQUE :** L'épurateur d'air amélioré de Honeywell FH8000F doit être alimenté à 120 V c.a. à 60 Hz.

**REMARQUE :** L'épurateur d'air amélioré de Honeywell ne doit être mis en marche que lorsqu'un débit d'air est présent. Les cosses ouvertes EAC du régulateur du générateur d'air chaud ne fournissent l'électricité que lorsque la soufflante du générateur d'air chaud fonctionne. Si des raccords pour l'épurateur à air électronique ne sont pas disponibles, un autre mécanisme de détection du débit d'air, tel que le pressostat différentiel 50027910-001 de Honeywell, doit être utilisé pour garantir que l'épurateur à air amélioré de Honeywell est uniquement alimenté lorsqu'un débit d'air est présent. Contacter le distributeur Honeywell local pour obtenir des informations sur d'autres capteurs de débit d'air.

Avant de passer au Démarrage et fonctionnement page 19 :

J'ai branché l'épurateur d'air amélioré de Honeywell conformément aux instructions.

**Le câblage des modèles FH8000F est terminé. Passer à la page 19.**



# Démarrage et fonctionnement

## Vérification du fonctionnement d'épurateur d'air

**⚠ AVERTISSEMENT :** Risque d'électrocution.

Le non-respect de cette mise en garde peut causer des blessures ou le décès.

Avant d'installer ou de réparer le système, toujours couper l'alimentation principale vers le système. Il peut y avoir plus d'un sectionneur.

- a. Attacher la porte de l'épurateur d'air amélioré de Honeywell à l'armoire. Un aimant dans la porte (voir Fig. 16) est utilisé pour activer un interrupteur de sécurité dans l'alimentation lorsque la porte est installée. L'électricité n'active pas l'épurateur d'air à moins que l'interrupteur de sécurité soit activé.

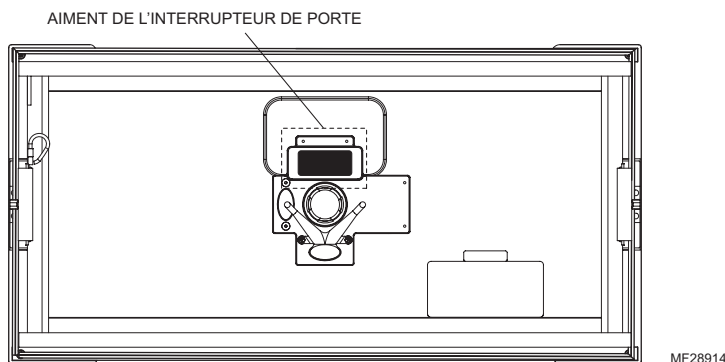


Fig. 16. Aimant de l'interrupteur de la porte.

- b. Mettre le système de climatisation en marche et régler le thermostat pour activer le ventilateur du système.  
c. Mettre l'interrupteur d'alimentation de l'épurateur d'air amélioré de Honeywell sur marche.  
d. Le voyant d'alimentation sous l'interrupteur d'alimentation de l'épurateur d'air amélioré de Honeywell s'allume (voir Fig. 17).

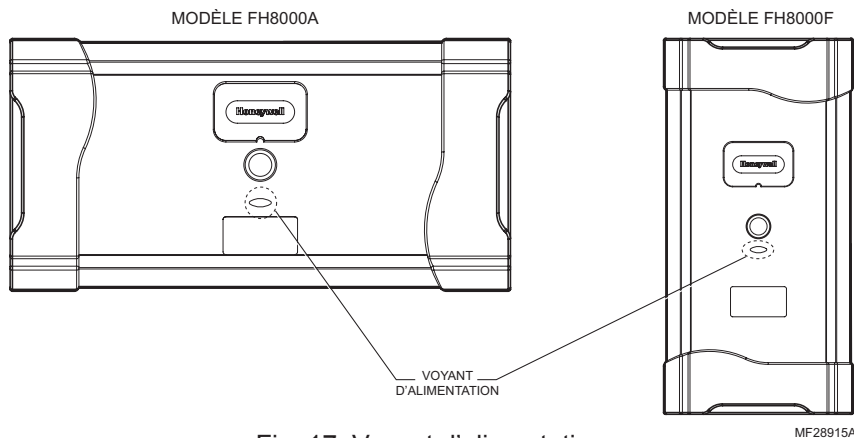


Fig. 17. Voyant d'alimentation.

- e. S'assurer que le voyant s'éteint lorsque l'interrupteur d'alimentation de l'épurateur d'air amélioré de Honeywell est sur arrêt, lorsque la soufflante s'éteint, ou lorsque l'alimentation du système de climatisation est coupée.

**REMARQUE :** Lors de la mise sous tension des modèles FH8000A, le voyant s'allume pendant environ 5 secondes, et si aucun débit n'est détecté, il s'éteint. Si aucune cartouche de filtre à air n'est détectée, le capteur de débit détecte cet état et éteint l'épurateur d'air amélioré de Honeywell après environ 7 secondes.

## Entretien

L'épurateur d'air amélioré de Honeywell est conçu pour nécessiter un entretien minimal. L'entretien se limite au remplacement du filtre et à l'inspection périodique/nettoyage à la brosse du réseau d'ionisation. La fréquence de remplacement de la cartouche du filtre à air et de nettoyage du réseau d'ionisation peut dépendre de la conception des gaines et des conditions environnementales locales.

### Pour remplacer la cartouche du filtre à air, effectuer les étapes suivantes :

1. Éteindre le système de chauffage et de refroidissement.

**⚠ AVERTISSEMENT** : Risque d'électrocution.

Le non-respect de cette mise en garde peut causer des blessures ou le décès.

Avant d'installer ou de réparer le système, toujours couper l'alimentation principale vers le système. Il peut y avoir plus d'un sectionneur.

2. Mettre l'interrupteur de l'épurateur d'air amélioré de Honeywell sur arrêt.
3. Retirer la porte de l'épurateur d'air amélioré de Honeywell.
4. Faire glisser l'ancien filtre et le jeter.
5. Installer le filtre neuf.



Fig. 18 : S'assurer que les flèches du filtre pointent dans la même direction que la flèche du module d'amélioration, c'est-à-dire dans la même direction que le débit d'air.

**REMARQUE** : Remplacer le filtre au moins chaque année, et plus souvent si nécessaire.

6. Replacer la porte de l'épurateur d'air amélioré de Honeywell.
7. Mettre l'interrupteur de l'épurateur d'air amélioré de Honeywell sur marche.
8. Mettre le système de chauffage et de refroidissement en marche.

## Entretien

**Au moment du remplacement du filtre, si un résidu poudreux est présent sur les extrémités des pointes du réseau d'ionisation du module d'amélioration, les nettoyer en suivant les étapes suivantes :**

1. Éteindre le système de chauffage et de refroidissement.

**⚠ AVERTISSEMENT :** Risque d'électrocution.

Le non-respect de cette mise en garde peut causer des blessures ou le décès.

Avant d'installer ou de réparer le système, toujours couper l'alimentation principale vers le système. Il peut y avoir plus d'un sectionneur.

2. Mettre l'interrupteur de l'épurateur d'air amélioré de Honeywell sur arrêt.
3. Retirer la porte de l'épurateur d'air amélioré de Honeywell.
4. **Modèles FH8000A :** Débrancher le cordon d'alimentation et le câble du capteur de débit (si branché) du module d'amélioration (voir Fig. 11 page 15).  
**Modèles FH8000F :** Débrancher le cordon d'alimentation du module d'amélioration (voir Fig. 15 page 17).
5. Faire glisser le module d'amélioration et la grille de sécurité.

**⚠ MISE EN GARDE :** Risque de blessures.

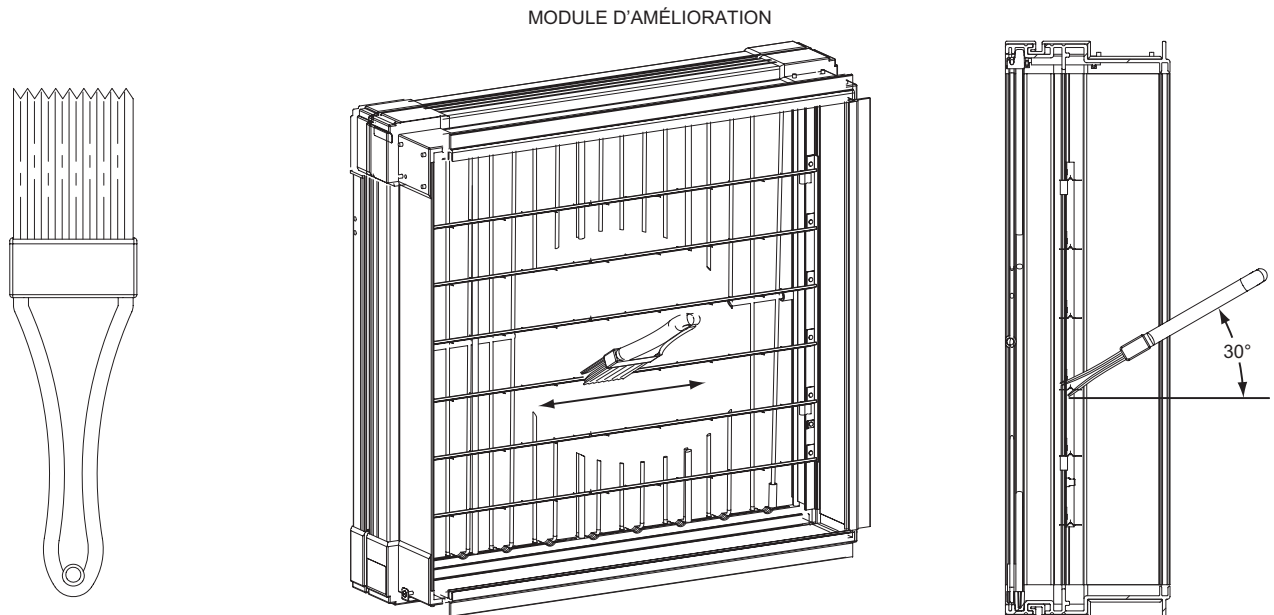
Le non-respect de cette mise en garde peut causer des blessures.

Les pointes de l'ionisateur sont POINTUES et peuvent causer des blessures. Faire preuve de prudence et porter des vêtements de protection et des gants appropriés pour la manipulation des pièces ou pour faire l'entretien.

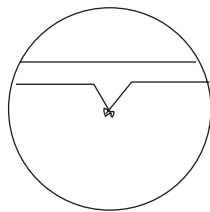
6. Faire glisser la grille de sécurité et la mettre de côté.

**REMARQUE :** Meilleurs outils de nettoyage : Brosse à poils synthétiques ou naturels de 51 mm (2 po) de large ou plus avec poignée de 157 mm (5 po) (voir Fig. 18) ou aspirateur avec accessoire de brosse.

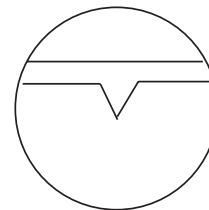
7. Faire délicatement passer la brosse sur les pointes d'ionisation sur le plan supérieur de chaque barre suffisamment profondément pour toucher les extrémités avant et arrière des pointes du réseau d'ionisation. Faire doucement passer la brosse d'avant en arrière pour nettoyer toute petite accumulation sur les extrémités des pointes. Si désiré, utiliser un aspirateur avec accessoire de brosse pour aspirer délicatement le cadre et les composants du module d'amélioration.



LES POINTES SONT COUPANTES! FAIRE TRÈS ATTENTION DURANT LE NETTOYAGE



POINTE D'IONISATION AVEC RÉSIDU



POINTE D'IONISATION APRÈS LE NETTOYAGE

MF28916A

Fig. 19. Élimination des dépôts des pointes d'ionisation.

8. Réinstaller la grille de sécurité.
9. Faire glisser le module d'amélioration dans l'armoire.
10. **Modèles FH8000A** : Rebrancher le cordon d'alimentation et le câble du capteur de débit (voir Fig. 11 page 15).  
**Modèles FH8000F** : Rebrancher le cordon d'alimentation (voir Fig. 15 page 17).
11. Replacer la porte de l'épurateur d'air amélioré de Honeywell.
12. Mettre l'interrupteur de l'épurateur d'air amélioré de Honeywell sur marche.
13. Mettre le système de chauffage et de refroidissement en marche.

# Dépannage

## **AVERTISSEMENT** : Risque d'électrocution.

Le non-respect de cette mise en garde peut causer des blessures ou le décès.

Les procédures suivantes exposent les composants électriques. Avant l'entretien, toujours couper l'alimentation principale vers le système. Il peut y avoir plus d'un sectionneur.

## **MISE EN GARDE** : Risque de blessures.

Le non-respect de cette mise en garde peut causer des blessures.

Les instructions suivantes sont destinées à un personnel qualifié uniquement.

L'épurateur d'air amélioré de Honeywell est muni d'un voyant d'alimentation situé sur la porte (Fig. 17 page 19). Ce voyant s'allume lorsque la porte de l'épurateur d'air amélioré de Honeywell est installée, lorsque l'interrupteur d'alimentation est sur marche ET que la soufflante du générateur d'air chaud ou de l'unité de traitement de l'air fonctionne et (pour les modèles FH8000A) que le débit d'air est détecté. Si le voyant ne s'allume pas, suivre les étapes de dépannage ci-dessous.

1. Vérifier que la porte de l'épurateur d'air amélioré de Honeywell est installée.

**REMARQUE** : Un aimant dans la porte (voir Fig. 16 page 19) est utilisé pour activer un interrupteur de sécurité dans l'alimentation lorsque la porte est installée. L'électricité n'active pas l'épurateur d'air à moins que l'interrupteur de sécurité soit activé.

2. Vérifier que l'interrupteur d'alimentation de l'épurateur d'air amélioré de Honeywell est sur la position de marche.
3. Confirmer que la soufflante du système de chauffage et de refroidissement fonctionne.
4. Confirmer que le système est alimenté.

**Modèles FH8000A** : 208 à 230 V c.a.

**Modèles FH8000F** : 120 V c.a.

5. **Modèles FH8000A UNIQUEMENT** : Confirmer que le câble du capteur de débit d'air est connecté à l'alimentation (voir Fig. 11 page 15).

**REMARQUE** : Bien que l'épurateur d'air amélioré de Honeywell soit alimenté, il ne fonctionne que si le capteur de débit d'air détecte un débit d'air ou si la prise de dérivation du capteur de débit d'air est insérée.

- a. S'il ne fonctionne toujours pas, débrancher le câble du capteur de débit d'air et le cordon d'alimentation.
- b. Retirer le module d'amélioration de l'armoire de l'épurateur d'air amélioré de Honeywell et inspecter l'interrupteur de débit d'air (voir Fig. 14 page 16).
- c. Confirmer que l'interrupteur de débit d'air est bien assis dans son support et que le câble de l'interrupteur de débit d'air est branché à l'arrière de l'interrupteur. Replacer le module d'amélioration.
- d. Reconnecter le cordon d'alimentation et insérer temporairement le cavalier de désactivation du capteur de débit d'air (dans le sac de pièces).
- e. Si le voyant s'allume, remplacer le capteur de débit d'air.

## Dépannage

6. **Modèles FH8000F UNIQUEMENT** : Confirmer que l'alimentation fournie par les bornes de l'épurateur d'air électronique du régulateur du générateur d'air chaud passe par le câblage jusqu'à l'alimentation de l'épurateur d'air amélioré de Honeywell.
7. Installer la porte sur l'épurateur d'air amélioré de Honeywell.
8. Mettre l'interrupteur d'alimentation sur marche.
9. Si toutes les étapes ci-dessus sont réalisées et que le voyant ne s'allume toujours pas, remplacer le module d'amélioration. Noter qu'à part la grille de sécurité, le module d'amélioration ne comporte aucune pièce réparable.

# Spécifications, dimensions et homologations

## Spécifications

Tableau 1. Spécifications.

Spécifications	FH8000A 1620	FH8000A 2020	FH8000A 2520	FH8000F 1625	FH8000F 2025
Couleur	Gris foncé Empire				
Matériau de l'armoire	Acier revêtu par pulvérisation de calibre 20				
Spécifications électriques	208 à 230 V c.a. à 60 Hz, 0,5 A max.			120 V c.a. à 60 Hz, 0,5 A max.	
Gamme de température de fonctionnement	-20 à 70 °C (-4 à 158 °F)				
Plage d'humidité de fonctionnement	5 à 95 % d'HR (sans condensation)				
Débit d'air maximum (pi <sup>3</sup> /m)	1350	1800	2000	1600	2000
Efficacité	Équivalente à MERV 15				
Filtre de rechange	FR8000A1620	FR8000A2020	FR8000A2520	FR8000F1625	FR8000F2025
Chute de pression initiale (en c.e.) avec un débit d'air de 492 pi <sup>3</sup> /m	0,22 po c.e.	0,25 po c.e.	0,22 po c.e.	0,25 po c.e.	0,25 po c.e.

## Dimensions<sup>1</sup>

Tableau 2. Dimensions en pouces et (mm).

Dimensions	FH8000A 1620	FH8000A 2020	FH8000A 2520	FH8000F 1625	FH8000F 2025
A	18 5/8 (473)	22 1/8 (562)	25 5/8 (651)	18 3/8 (467)	21 7/8 (556)
B	15 3/8 (391)	18 7/8 (479)	22 3/8 (568)	15 1/8 (384)	18 5/8 (473)
C	13 1/8 (333)	13 1/8 (333)	13 1/8 (333)	11 1/8 (283)	11 1/8 (283)
D	17 5/8 (448)	21 1/8 (537)	24 5/8 (626)	17 1/2 (445)	21 (533)
E	19 7/8 (505)	19 7/8 (505)	19 7/8 (505)	22 1/8 (562)	22 1/8 (562)
F	22 1/4 (565)	22 1/4 (565)	22 1/4 (565)	25 1/4 (641)	25 1/4 (641)
G	11 1/4 (286)	11 1/4 (286)	11 1/4 (286)	N/A	N/A

## Normes et homologations

L'épurateur d'air est testé et certifié aux normes suivantes :

- CSA 22.2 N° 187-09
- UL 900 (filtre uniquement)

**REMARQUE :** L'épurateur d'air amélioré de Honeywell est certifié CSA pour les chocs et les incendies électriques uniquement.

<sup>1</sup> Voir Fig. 21 page 27 pour les plans cotés.

# Spécifications, dimensions et homologations

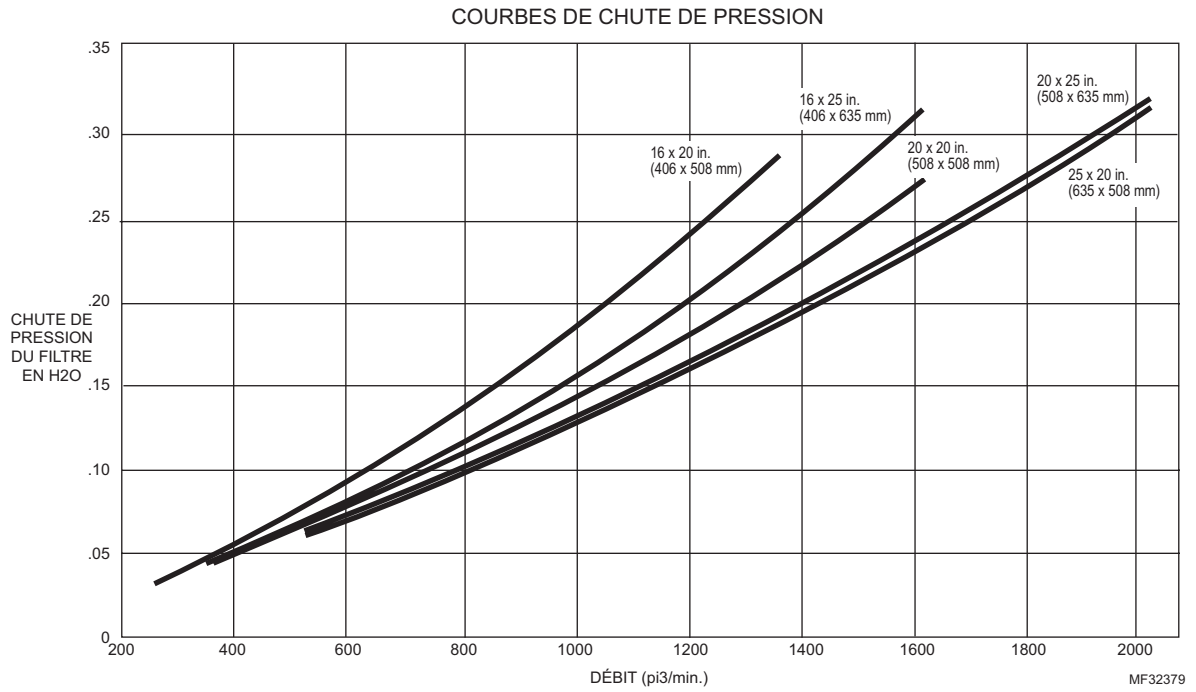
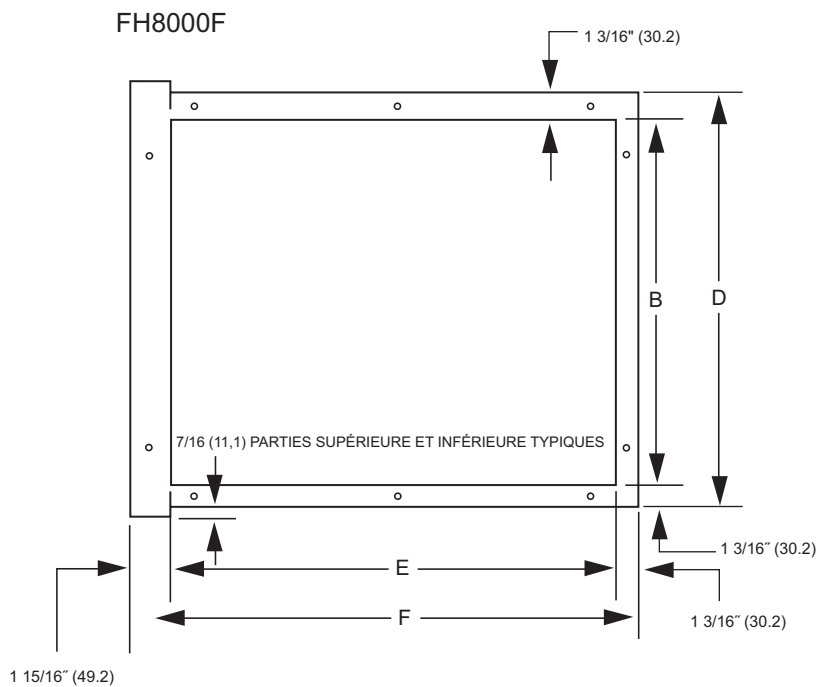
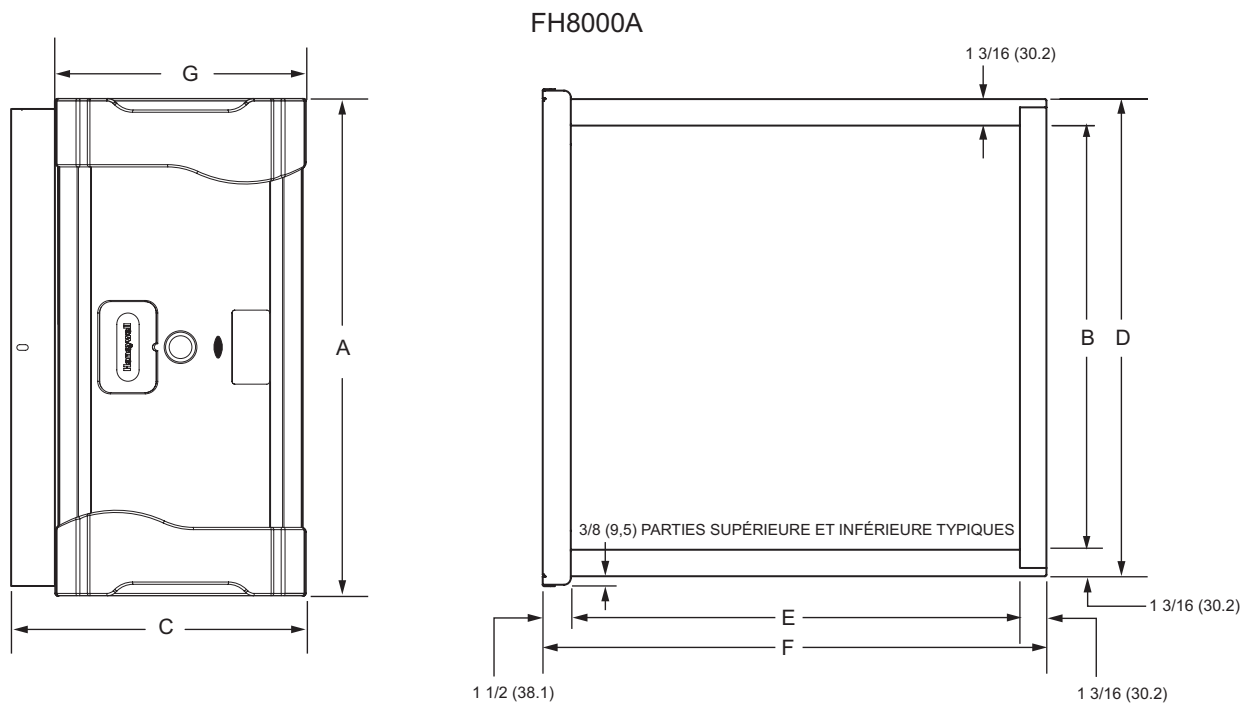


Fig. 20. Courbes de chute de pression



# Spécifications, dimensions et homologations



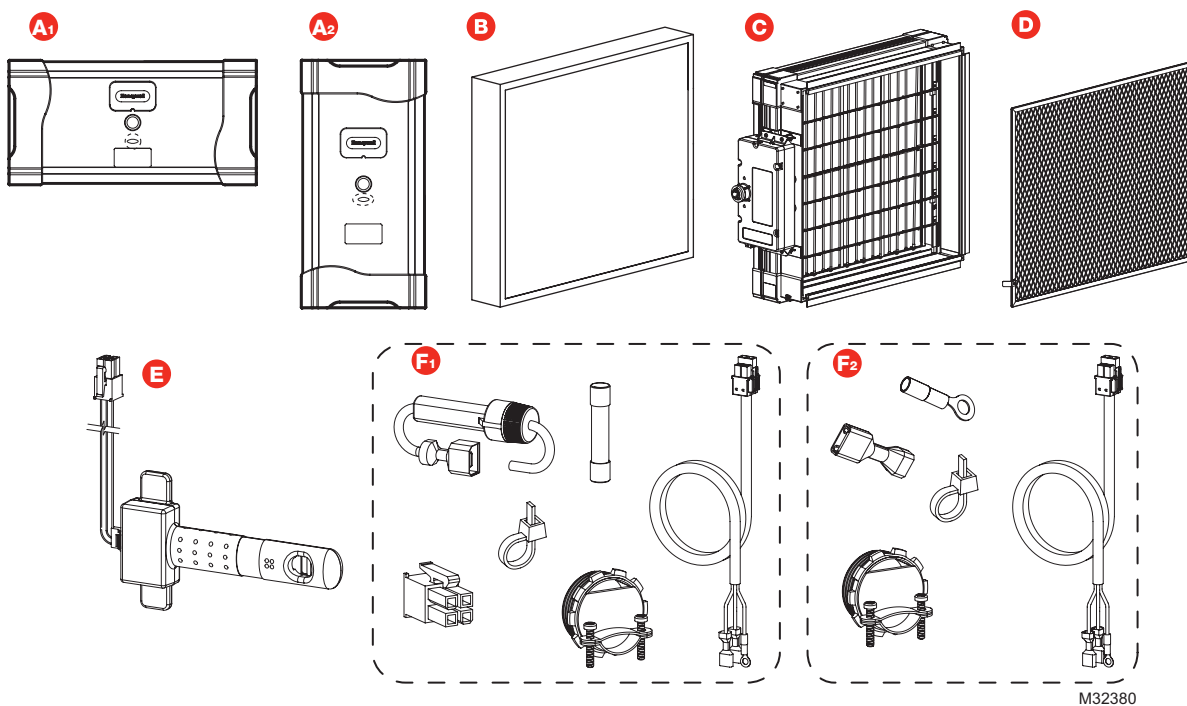
MF28917A

Fig. 21. Dimensions en pouces (mm).<sup>1</sup>

<sup>1</sup> Voir le Tableau 2 page 25 pour les dimensions.

## Liste des pièces TrueCLEAN™

		FH8000F1625	FH8000F2025	FH8000A1620	FH8000A2020	FH8000A2520
A	Porte	50053268-006	50053268-007	50053268-008	50053268-009	50053268-010
B	Filtre	FR8000F1625	FH8000F2025	FH8000A1620	FH8000A2020	FH8000A2520
C	Module d'amélioration	50053268-001	50053268-002	50053268-003	50053268-004	50053268-005
D	Grille de sécurité	50053268-011	50053268-012	50053268-013	50053268-014	50053268-015
E	Capteur de débit d'air	NA		50053268-018		
F	Cordon d'alimentation et accessoires (composants d'installation)	50053268-016		50053268-017		



- A<sub>1</sub>** Porte FH8000A.
- A<sub>2</sub>** Porte FH8000F
- B** Filtre
- C** Module d'amélioration
- D** Grille de sécurité
- E** Capteur de débit d'air (FH8000A)
- F<sub>1</sub>** Cordon d'alimentation et accessoires (composants d'installation FH8000A)
- F<sub>2</sub>** Cordon d'alimentation et accessoires (composants d'installation FH8000F)

## Garantie limitée de 5 ans

Honeywell garantit ce produit contre tout vice de fabrication ou de matériau dans la mesure où il en est fait une utilisation et un entretien convenables, et ce, pour cinq (5) ans à partir de la date d'achat par le consommateur. En cas de défectuosité ou de mauvais fonctionnement pendant la période de garantie, Honeywell remplacera ou réparera le produit, à sa discrétion, dans un délai raisonnable.

Si le produit est défectueux,

(i) le retourner, accompagné d'une preuve d'achat indiquant la date d'achat, au détaillant auprès de qui il a été acheté; ou

(ii) s'adresser au service d'assistance à la clientèle de Honeywell en composant le 1-800-468-1502. Le service d'assistance à la clientèle déterminera si le produit doit être retourné à l'adresse suivante : Honeywell Return Goods, Dock 4 MN10-3860, 1985 Douglas Dr. N., Golden Valley, MN 55422, ou si un produit de remplacement peut vous être expédié.

La présente garantie ne couvre pas les frais de retrait ou de réinstallation. La présente garantie ne s'appliquera pas s'il est démontré par Honeywell que la défectuosité ou le mauvais fonctionnement sont dus à un endommagement du produit alors que le consommateur l'avait en sa possession.

La responsabilité exclusive de Honeywell se limite à réparer ou à remplacer le produit conformément aux modalités susmentionnées.

HONEYWELL N'EST EN AUCUN CAS RESPONSABLE DES PERTES OU DOMMAGES, Y COMPRIS LES DOMMAGES INDIRECTS OU ACCESSOIRES DÉCOULANT DIRECTEMENT OU INDIRECTEMENT D'UNE VIOLATION QUELCONQUE D'UNE GARANTIE, EXPRESSE OU TACITE, APPLICABLE AU PRÉSENT PRODUIT, OU TOUTE AUTRE DÉFECTUOSITÉ DU PRÉSENT PRODUIT. Certaines provinces ne permettent pas l'exclusion ou la restriction des dommages indirects ou accessoires et, par conséquent, la présente restriction peut ne pas s'appliquer.

CETTE GARANTIE EST LA SEULE GARANTIE EXPRESSE FAITE PAR HONEYWELL POUR CE PRODUIT. LA DURÉE DE TOUTE GARANTIE IMPLICITE, INCLUANT LES GARANTIES DE QUALITÉ MARCHANDE OU D'ADAPTATION À UNE UTILISATION PARTICULIÈRE, EST LIMITÉE PAR LES PRÉSENTES À LA PÉRIODE DE CINQ ANS DE LA PRÉSENTE GARANTIE. Certaines provinces ne permettent pas de limiter la durée des garanties tacites et, par conséquent, la présente limitation peut ne pas s'appliquer.

La présente garantie donne au consommateur des droits légaux spécifiques et certains autres droits qui peuvent varier d'une province à l'autre.

Pour toute question concernant la présente garantie, prière d'écrire aux Services à la clientèle de Honeywell à l'adresse suivante : Honeywell Customer Relations, 1985 Douglas Dr, Golden Valley, MN 55422 ou composer le 1-800-468-1502. Au Canada, prière de s'adresser au service des Produits de détail, Honeywell Limited/Honeywell Limitée, 35 Dynamic Drive, Toronto, Ontario M1V4Z9.

## **Solutions de régulation et d'automatisation**

Honeywell International Inc.  
1985 Douglas Drive North  
Golden Valley, MN 55422

Honeywell Limited—Honeywell Limitée  
35 Dynamic Drive  
Toronto, Ontario M1V 4Z9  
<http://yourhome.honeywell.com>

The Honeywell logo is displayed in a bold, red, sans-serif font.

© Marque de commerce déposée aux É.-U.  
© 2011 Honeywell International Inc.  
68-0308EFS—03 M.S. Rev. 01-11  
Imprimé aux États-Unis

## Limpiador de aire mejorado TrueCLEAN™

Medidas: Controlador de aire 16x20, 20x20, 25x20 • Equipo de calefacción 16x25 y 20x25

PROFESSIONAL INSTALLATION GUIDE  
GUIDE D'INSTALLATION PROFESSIONNELLE  
GUÍA DE INSTALACIÓN PROFESIONAL

CÓMO  
COMENZAR

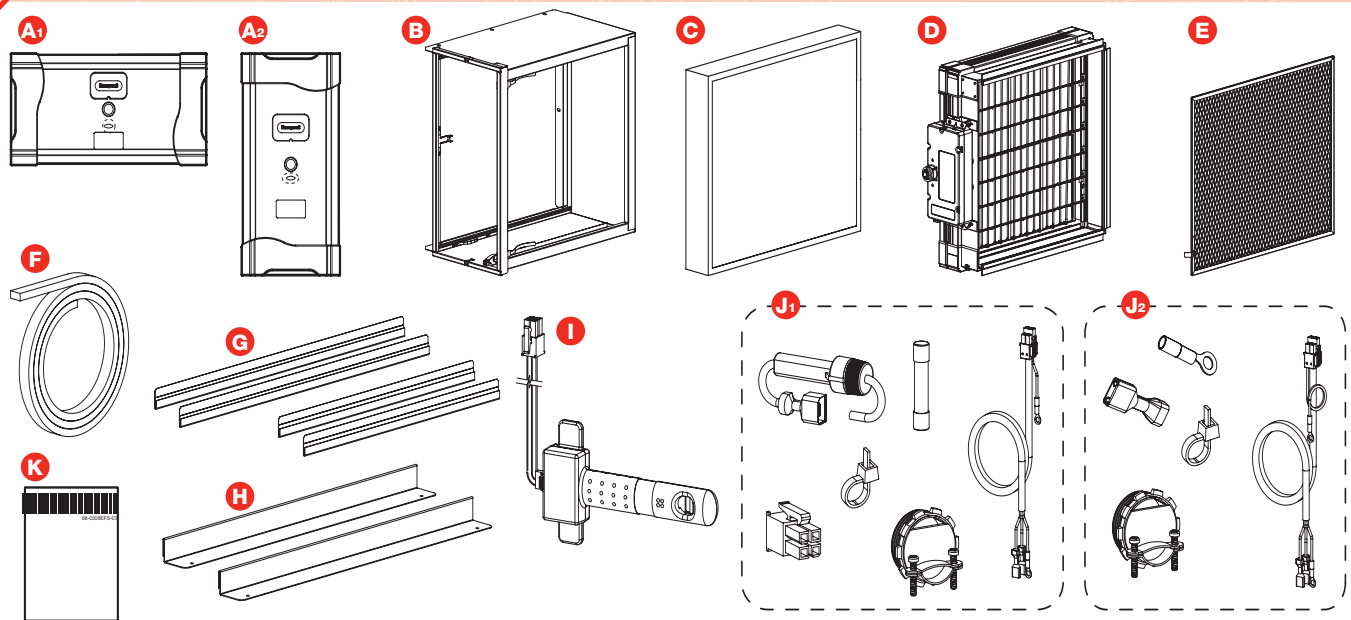
MONTAJE

CABLEADO

FUNCIONAMIENTO  
Y SERVICIO

APÉNDICES

### ESTA CAJA DEL LIMPIADOR DE AIRE MEJORADO INCLUYE



M28898

#### Herramientas necesarias para instalar el limpiador de aire mejorado

- ▶ Destornillador estándar
- ▶ Destornillador de estrella
- ▶ Cortador de metal
- ▶ Taladro
- ▶ Sellador de conductos

#### Tabla de filtros de reemplazo

Limpiador de aire mejorado	Modelo Honeywell	Nº de pieza del filtro de reemplazo
Controladores de aire	FH8000A1620	FR8000A1620
	FH8000A2020	FR8000A2020
	FH8000A2520	FR8000A2520
Equipo de calefacción de aire forzado	FH8000F1625	FR8000F1625
	FH8000F2025	FR8000F2025

- A<sub>1</sub>** Puerta FH8000A
- A<sub>2</sub>** Puerta FH8000F
- B** Gabinete
- C** Filtro
- D** Módulo de mejoramiento
- E** Pantalla de seguridad
- F** Cinta para juntas de conductos
- G** Adaptadores para el conducto de retorno
- H** Adaptadores para el equipo de calefacción (FH8000F)
- I** Sensor de flujo de aire (FH8000A)
- J<sub>1</sub>** Componentes para la instalación (FH8000A)
- J<sub>2</sub>** Componentes para la instalación (FH8000F)
- K** Instrucciones para la instalación



# Limpiador de aire mejorado TrueCLEAN™

## CÓMO COMENZAR

Qué esperar de su limpiador de aire mejorado TrueCLEAN™ de Honeywell .....	2
Cómo funciona.....	2
Consideraciones sobre su aplicación .....	3
Requisitos importantes para la instalación .....	5
Seguridad personal .....	5

## MONTAJE

Elección del método de montaje .....	6
¿Qué modelo de limpiador de aire mejorado Honeywell tiene? .....	6
Montaje del limpiador de aire mejorado Honeywell FH8000A (controlador de aire) .....	7
Montaje del limpiador de aire mejorado Honeywell FH8000F (equipo de calefacción) .....	10

## CABLEADO

Antes de cablear el limpiador de aire mejorado Honeywell .....	14
Cableado del limpiador de aire mejorado Honeywell FH8000A (controlador de aire) .....	15
Cableado del limpiador de aire mejorado Honeywell FH8000F (equipo de calefacción) .....	17

## FUNCIONAMIENTO Y SERVICIO

Puesta en marcha y funcionamiento .....	19
Verificación del funcionamiento del limpiador de aire .....	19
Mantenimiento.....	20
Localización y solución de problemas.....	22

## APÉNDICES

Especificaciones, dimensiones y aprobaciones .....	24
Lista de piezas.....	28
Garantía .....	29

CÓMO  
COMENZAR

MONTAJE

CABLEADO

FUNCIONAMIENTO  
Y SERVICIO

APÉNDICES



¿NECESITA AYUDA? Para obtener ayuda sobre este producto, visite <http://yourhome.honeywell.com> o llame de manera gratuita al Servicio al cliente de Honeywell al 1-800-468-1502.

**Lea y guarde estas instrucciones.**

© Marca comercial registrada en los EE. UU. Patentes en trámite. Copyright © 2010 Honeywell International Inc. Todos los derechos reservados.

Limpiador de aire mejorado TrueCLEAN™ 68-0308EFS—03

# Qué esperar de su limpiador de aire mejorado TrueCLEAN™ de Honeywell

¡Felicitaciones por elegir el limpiador de aire mejorado TrueCLEAN™ de Honeywell para el sistema de confort en su hogar! Está comprobado que el limpiador de aire mejorado Honeywell elimina y destruye alérgenos y gérmenes presentes en el aire, como virus, bacterias y esporas de moho del aire que pasa por el filtro. El limpiador de aire mejorado Honeywell es el pilar de las soluciones para el confort en el hogar de Honeywell, ya que proporciona un aire más limpio en su hogar.

El instalador deberá revisar estos puntos con el propietario y responder a todas sus preguntas antes de retirarse del lugar.

## Cuando instale este producto...

1. Lea detenidamente estas instrucciones. De no seguirlas, se podría dañar el producto o provocar una situación peligrosa.
2. Verifique los valores nominales del producto y en las instrucciones, para asegurarse de que el producto sea adecuado para su aplicación.
3. El instalador debe ser un técnico de servicio capacitado y experimentado.
4. Después de terminar la instalación, verifique el funcionamiento del producto tal como se indica en estas instrucciones.

## Cómo funciona

El limpiador de aire mejorado TrueCLEAN™ de Honeywell proporciona un gran proceso de filtración, al mismo tiempo que elimina los agentes contaminantes atrapados, como virus, bacterias y esporas de moho. El limpiador de aire mejorado Honeywell trata toda la corriente de aire a través de un moderno proceso de tres etapas.

### Etapa 1

En la primera etapa, las partículas presentes en el aire son cargadas eléctricamente por un panel de puntos de ionización al ingresar al limpiador de aire mejorado Honeywell.

### Etapa 2

En la segunda etapa, las partículas cargadas son atraídas y atrapadas eléctricamente en el cartucho del filtro de aire, que se encuentra dentro de un campo eléctrico.

### Etapa 3

En la tercera etapa, las partículas atrapadas son eliminadas por un flujo de corriente eléctrica y por un bombardeo de iones.

.....



## Consideraciones sobre su aplicación

El limpiador de aire mejorado Honeywell está diseñado para ser utilizado en el conducto de aire de retorno de un sistema de calefacción, refrigeración y ventilación de aire forzado. Los modelos FH8000A1620, FH8000A2020 y FH8000A2520 están específicamente diseñados para ser utilizados en sistemas con un controlador de aire. Los modelos FH8000F1625 y FH8000F2025 están específicamente diseñados para ser utilizados en sistemas con un equipo de calefacción de aire forzado. El limpiador de aire mejorado Honeywell está certificado por la CSA sólo en cuanto a riesgos de descargas y de incendios eléctricos.

### Aire acondicionado

El limpiador de aire mejorado Honeywell deberá ser instalado en un sistema que permita que todo el aire de retorno circule a través del limpiador de aire mejorado Honeywell. Deberá estar ubicado por encima del equipo de aire acondicionado. Esto ayudará a mantener el equipo limpio y a evitar la formación de condensación dentro del limpiador de aire mejorado Honeywell.

### Humidificadores

Se puede instalar un humidificador por evaporación por encima del limpiador de aire mejorado Honeywell. Es mejor instalar humidificadores por atomización por debajo del limpiador de aire mejorado Honeywell, ya que los depósitos de sal de agua dura y las gotitas de vaporización pueden dañar el limpiador de aire mejorado Honeywell. Si se debe instalar un humidificador por atomización por encima del limpiador de aire mejorado Honeywell, lo deberá instalar lo más arriba posible (se recomienda, al menos, 1.8 m [6 pies]), y se deberá instalar un filtro descartable estándar para el equipo de calefacción entre el humidificador y el limpiador de aire mejorado Honeywell para atrapar los depósitos de sal de agua dura y las gotitas de vaporización.

### Transiciones

Si las aberturas del conducto de aire de retorno y del serpentín de ventilador no coinciden con las aberturas del gabinete del limpiador de aire mejorado Honeywell, se recomienda utilizar transiciones graduales para reducir la turbulencia de aire y maximizar la eficiencia.

**FH8000A** – No deben usarse más de 20 grados (alrededor de 101 mm [4 in] por pie de rodadura) de expansión en cada lado del conector de transición.

**FH8000F** – No deben usarse más de 45 grados (alrededor de 216 mm [8.5 in] por pie de rodadura) de expansión en cada lado del conector de transición.

### Guías de flujo

Si el limpiador de aire mejorado Honeywell es instalado en forma adyacente a un codo de conducto de 90 grados, deberán agregarse guías de flujo dentro del conducto para mejorar la distribución de aire a través del frente del limpiador de aire mejorado Honeywell.

## Consideraciones sobre su aplicación

### Interruptor eléctrico de encendido/de flujo de aire

El limpiador de aire mejorado Honeywell deberá ser encendido únicamente cuando haya flujo de aire.

**FH8000A** – Estos modelos están diseñados para ser utilizados con un controlador de aire, y están equipados con un interruptor de flujo de aire (ver Fig. 1) que sólo suministrará energía cuando el soplador del controlador de aire esté en funcionamiento. Estos modelos están diseñados para ser alimentados por una fuente de energía monofásica de 208 a 230 V CA.

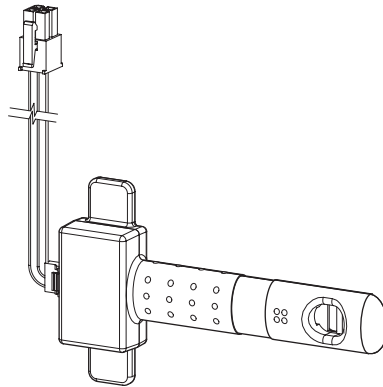


Fig. 1. Interruptor de flujo de aire.

**FH8000F** – Los terminales del limpiador electrónico de aire (EAC) del control del equipo de calefacción suministran energía a la unidad únicamente cuando el soplador del equipo de calefacción está en funcionamiento. Estos modelos están diseñados para ser alimentados por los terminales del EAC en el panel de control del equipo de calefacción. Si las terminales del EAC no están disponibles, deberá utilizarse un mecanismo alternativo de detección de flujo de aire tal como el interruptor de presión diferencial 50027910-001 de Honeywell para garantizar que el limpiador de aire mejorado Honeywell sea alimentado únicamente cuando haya flujo de aire. Comuníquese con su distribuidor local de Honeywell para obtener información sobre otras alternativas.

# Requisitos importantes para la instalación

El incumplimiento de estos requisitos ocasionará la anulación de la garantía, una instalación incorrecta y visitas del servicio técnico.

## Seguridad personal

- Use gafas de seguridad cuando instale la unidad.
- No corte ninguna tubería del aire acondicionado o línea de electricidad.
- Observe las medidas de seguridad profesionales y todos los códigos locales respecto de las consideraciones eléctricas, mecánicas y de plomería.

## Antes del montaje

- Observando la figura en la portada y las listas en el interior de la portada, asegúrese de tener todos los componentes para su modelo de limpiador de aire mejorado Honeywell y las herramientas para instalarlo.
- Asegúrese que la dirección del flujo de aire a través del limpiador de aire mejorado Honeywell coincida con las flechas del frente del filtro. Las flechas deben apuntar hacia el equipo de calefacción/refrigeración. Puede girar la puerta 180 grados para acomodar la orientación del gabinete.
- La ubicación del limpiador de aire mejorado Honeywell deberá estar fácilmente accesible. Se deberá proporcionar suficiente espacio libre para poder realizar el reemplazo periódico del filtro.

## Si reemplaza un limpiador de aire anterior

Si el limpiador de aire mejorado Honeywell no es idéntico en tamaño y en forma al limpiador de aire existente, antes de realizar la instalación de modernización, es posible que necesite agregar transiciones de conductos para garantizar un flujo de aire suave.

## Filtros de reemplazo

**Tabla de filtros de reemplazo**

Limpiador de aire mejorado	Modelo Honeywell	Nº de pieza del filtro de reemplazo
Controladores de aire	FH8000A1620	FR8000A1620
	FH8000A2020	FR8000A2020
	FH8000A2520	FR8000A2520
Equipo de calefacción de aire forzado	FH8000F1625	FR8000F1625
	FH8000F2025	FR8000F2025

## Elección del método de montaje

Hay dos diseños del limpiador de aire mejorado Honeywell. Un modelo diseñado para controladores de aire y otro para equipos de calefacción. Siga las instrucciones para la instalación del modelo de limpiador de aire que tenga:

### ¿Qué modelo de limpiador de aire mejorado Honeywell tiene?

#### Modelos FH8000A para controladores de aire:

Estos modelos se instalan por encima del controlador de aire. Esto ayudará a mantener el controlador de aire limpio.

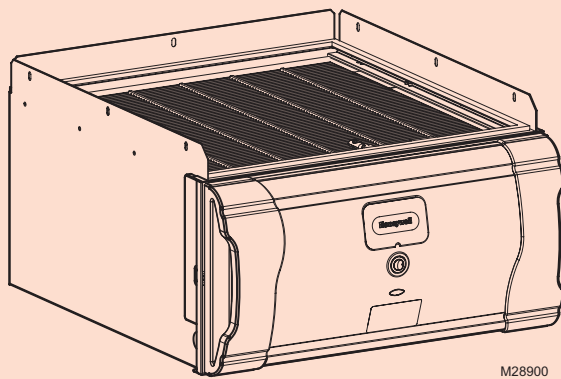


Fig. 2. Limpiador de aire mejorado Honeywell modelo FH8000A.

#### Modelos FH8000F para equipos de calefacción:

Estos modelos se instalan por encima del equipo de calefacción y del serpentín del evaporador del aire acondicionado.

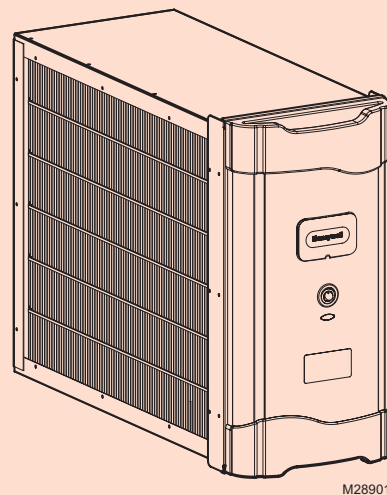


Fig. 3. Limpiador de aire mejorado Honeywell modelo FH8000F.

Antes de comenzar con el montaje:

- Verifiqué los códigos locales para conocer los procedimientos adecuados para el cableado eléctrico.
- Elegí una ubicación para la instalación que cumple con los requisitos de las páginas 3 a 5.

**NOTA:** para instalar el limpiador de aire mejorado Honeywell FH8000A (controlador de aire), consulte la página 7.

**NOTE:** para instalar el limpiador de aire mejorado Honeywell FH8000F (equipo de calefacción), consulte la página 10.

# Montaje del limpiador de aire mejorado Honeywell FH8000A (controlador de aire)

**NOTA:** para instalar el modelo FH8000F, consulte la página 10.

**⚠ PRECAUCIÓN:** riesgo de lesiones personales.

Si no tiene en cuenta esta advertencia, existe el riesgo de lesiones personales. Las piezas con láminas de metal pueden tener bordes filosos o ásperos. Tenga cuidado y use vestimenta adecuada de protección, protección para los ojos y guantes cuando manipule las piezas.

## PASO UNO: identifique la ubicación y la orientación de montaje

- Identifique una orientación de montaje para el limpiador de aire mejorado Honeywell en el conducto de aire de retorno (ver Fig. 4).
- Asegúrese que la dirección del flujo de aire a través del limpiador de aire mejorado Honeywell coincida con las flechas del frente del filtro. Puede girar el limpiador de aire mejorado Honeywell o la puerta 180 grados para acomodar la orientación del gabinete.
- La ubicación de la unidad deberá estar fácilmente accesible. Se deberá proporcionar suficiente espacio para poder quitar la puerta y el filtro para realizar el reemplazo periódico de los filtros de aire.

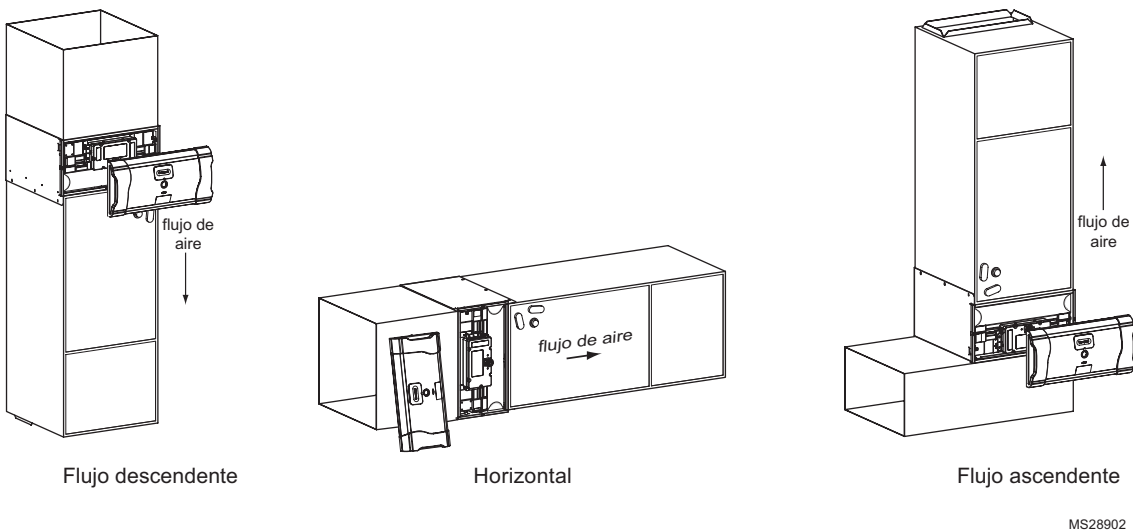


Fig. 4. Orientación del gabinete para los modelos FH8000A.

# Montaje del limpiador de aire mejorado Honeywell FH8000A (controlador de aire)

## PASO DOS: montaje del gabinete

**⚠ ADVERTENCIA:** riesgo de electrocución y de daños a la unidad.

Si no tiene en cuenta esta advertencia, existe el riesgo de lesiones personales o de muerte.

Únicamente un técnico de servicio capacitado y experimentado deberá instalar el limpiador de aire mejorado Honeywell. Se deberá realizar una revisión minuciosa de la instalación de la unidad antes de ponerla en funcionamiento. Antes de realizar la instalación o los procedimientos de mantenimiento o reparación de la unidad, desconecte la energía eléctrica de la unidad.

1. Antes de instalar o reparar el sistema, siempre desconecte la energía eléctrica principal del sistema. Es posible que exista más de un interruptor de desconexión.

2. Los gabinetes soportarán un peso máximo de 181 kg (400 libras) cuando estén instalados debajo de un equipo de calefacción vertical o de una unidad de manejo de aire. Cuando coloque el equipo de calefacción en el gabinete, no lo suelte en su lugar. Coloque el equipo de calefacción cuidadosamente en el gabinete para evitar que se resbale una esquina y se dañen el gabinete o sus componentes.

- Desconecte la energía eléctrica del sistema de calefacción y refrigeración.
- Quite el filtro del controlador de aire existente y deséchelo. Si el limpiador de aire mejorado Honeywell es utilizado con otros dispositivos de filtración, se puede generar un exceso de presión estática en el sistema.
- Quite el filtro y el módulo de mejoramiento del gabinete del limpiador de aire mejorado Honeywell.
- Coloque el gabinete entre el controlador de aire y el conducto de aire de retorno (ver Fig. 4 en la página 7 y Fig. 5). Es posible que necesite un conducto de transición.

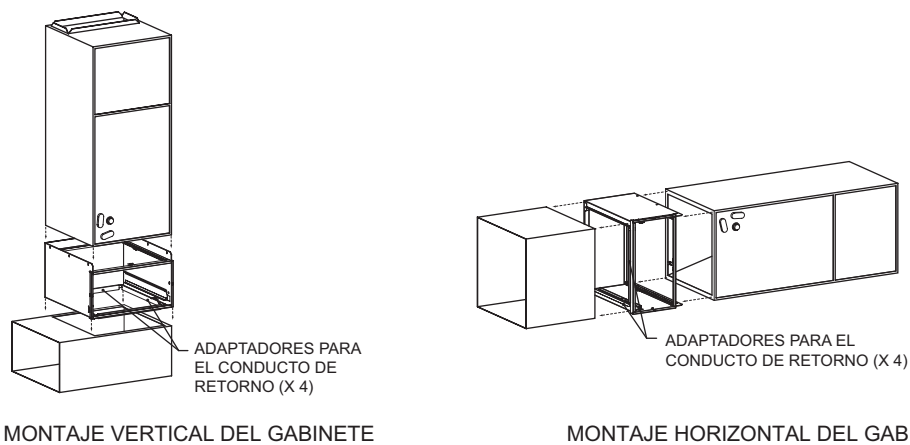


Fig. 5. Orientación de los modelos FH8000A para controladores de aire.

### NOTAS:

- Deberán utilizarse los tornillos del gabinete del controlador de aire que sostienen la rejilla del filtro, para fijar el gabinete del limpiador de aire mejorado Honeywell.
- La cinta para la junta entre el controlador de aire y el gabinete del limpiador de aire mejorado Honeywell ya viene colocada de fábrica.
- Existen agujeros de montaje para poder fijar el controlador de aire.

## Montaje del limpiador de aire mejorado Honeywell FH8000A (controlador de aire)

- e. Utilice los adaptadores del conducto de retorno incluidos para fijar el conducto de retorno (ver Fig. 6).
- f. Selle todas las uniones con cinta o calafateo después de fijar el gabinete del limpiador de aire mejorado Honeywell.

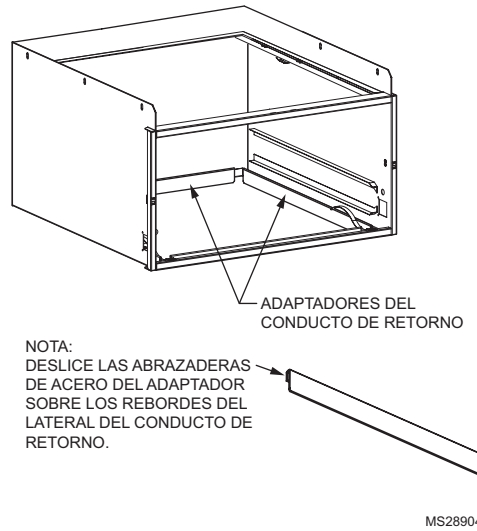


Fig. 6. Uso de los adaptadores del conducto de retorno para los modelos FH8000A.

Antes de proceder con el cableado de la página 14:

- Instalé el gabinete del limpiador de aire mejorado Honeywell y lo fijé al conducto tal como se indica.

**Se completó el montaje de los modelos FH8000A. Consulte la página 14.**

# Montaje del limpiador de aire mejorado Honeywell FH8000F (equipo de calefacción)

**NOTA:** para instalar el modelo FH8000A regrese a la página 7.

**⚠ PRECAUCIÓN:** riesgo de lesiones personales.

Si no tiene en cuenta esta advertencia, existe el riesgo de lesiones personales. Las piezas con láminas de metal pueden tener bordes filosos o ásperos. Tenga cuidado y use vestimenta adecuada de protección y guantes cuando manipule las piezas.

## PASO UNO: identifique la ubicación y la orientación de montaje

- Identifique una orientación de montaje para el limpiador de aire mejorado Honeywell en el conducto de aire de retorno. Consulte las Fig. 7 y 8 en las páginas 10 y 11.
- Asegúrese que la dirección del flujo de aire a través del limpiador de aire mejorado Honeywell coincida con las flechas del frente del cartucho del filtro de aire. Puede girar la puerta del limpiador de aire mejorado Honeywell 180 grados para acomodar la orientación del gabinete.
- La ubicación de la unidad deberá estar fácilmente accesible. Se deberá proporcionar suficiente espacio libre para poder quitar la puerta y el filtro para realizar el reemplazo.

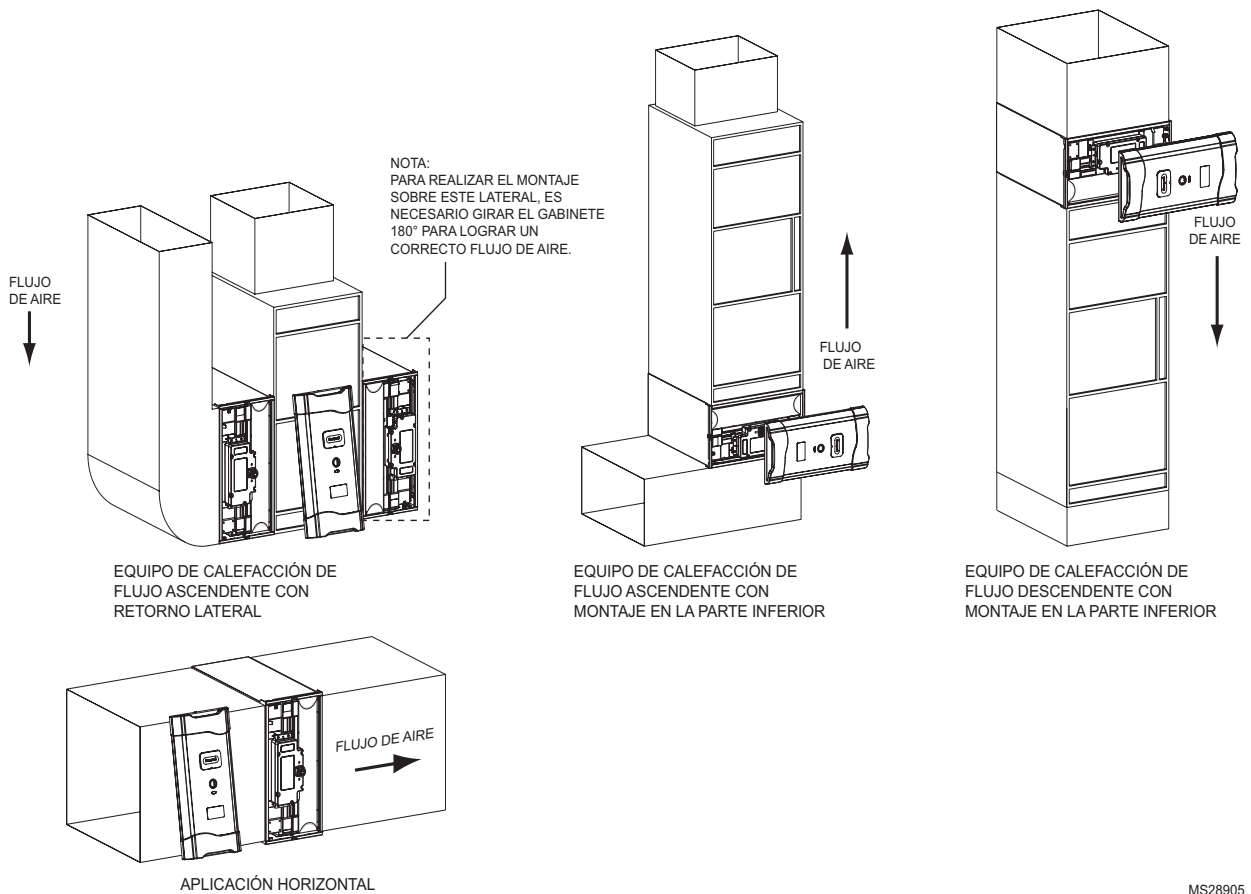


Fig. 7. Orientación del gabinete para los modelos FH8000F.



# Montaje del limpiador de aire mejorado Honeywell FH8000F (equipo de calefacción)

NOTA: CUANDO REALICE TRANSICIONES ENTRE DOS COMPONENTES DE DISTINTOS TAMAÑOS (EQUIPO DE CALEFACCIÓN Y LIMPIADOR DE AIRE), EL ÁNGULO MÍNIMO DE TRANSICIÓN DEL COMPONENTE MÁS GRANDE NO DEBERÁ SER INFERIOR A 45 GRADOS.

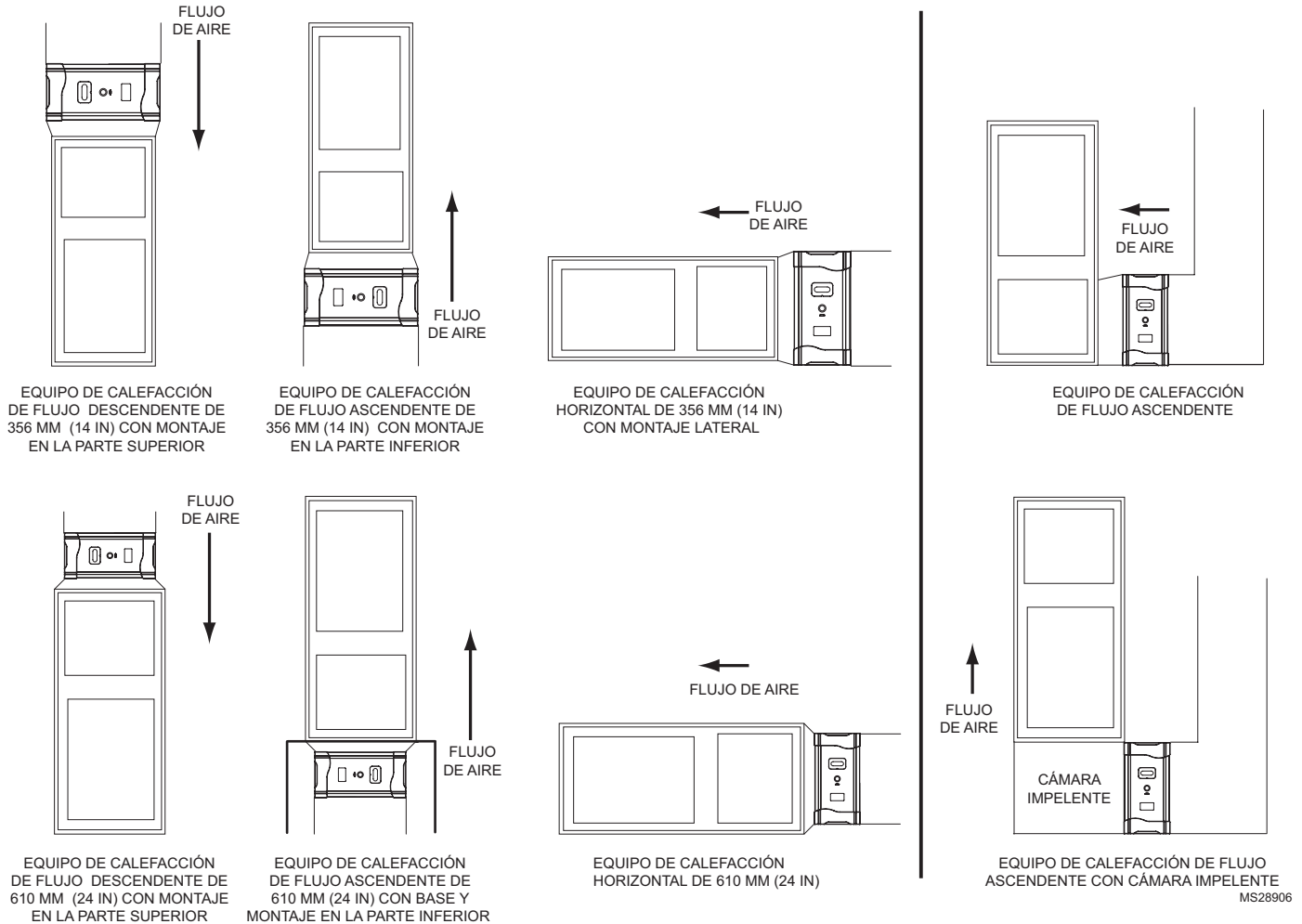


Fig. 8. Orientación del gabinete para los modelos FH8000F con transición.

MONTAJE

# Montaje del limpiador de aire mejorado Honeywell FH8000F (equipo de calefacción)

## PASO DOS: montaje del gabinete

**⚠ ADVERTENCIA:** riesgo de electrocución y de daños a la unidad.

Si no tiene en cuenta esta advertencia, existe el riesgo de lesiones personales o de muerte.

Únicamente un técnico de servicio capacitado y experimentado deberá instalar el limpiador de aire mejorado Honeywell. Se deberá realizar una revisión minuciosa de la instalación de la unidad antes de ponerla en funcionamiento. Antes de realizar la instalación o los procedimientos de mantenimiento o reparación de la unidad, desconecte la energía eléctrica de la unidad.

1. Antes de instalar o reparar el sistema, siempre desconecte la energía eléctrica principal del sistema. Es posible que exista más de un interruptor de desconexión.

2. Los gabinetes soportarán un peso máximo de 181 kg (400 libras) cuando estén instalados debajo de un equipo de calefacción vertical o de una unidad de manejo de aire. Cuando coloque el equipo de calefacción en el gabinete, no lo suelte en su lugar. Coloque el equipo de calefacción cuidadosamente en el gabinete para evitar que se resbale una esquina y se dañen el gabinete o sus componentes.

- a. Desconecte la energía eléctrica del sistema de calefacción y refrigeración.
- b. Quite el filtro del equipo de calefacción existente y deséchelo. Si el limpiador de aire mejorado Honeywell es utilizado con otros dispositivos de filtración, se puede generar un exceso de presión estática en el sistema.
- c. Quite el filtro y el módulo de mejoramiento del gabinete del limpiador de aire mejorado Honeywell.
- d. Coloque el gabinete entre el equipo de calefacción y el conducto de aire de retorno (ver Fig. 7 en la página 10, Fig. 8 en la página 11, Figura 9 y Fig. 10 en la página 13). Es posible que necesite un conducto de transición.
- e. Se incluyen adaptadores para el equipo de calefacción, para mayor conveniencia del instalador. Están diseñados para instalaciones de montaje en la parte superior o inferior (ver Fig. 9).

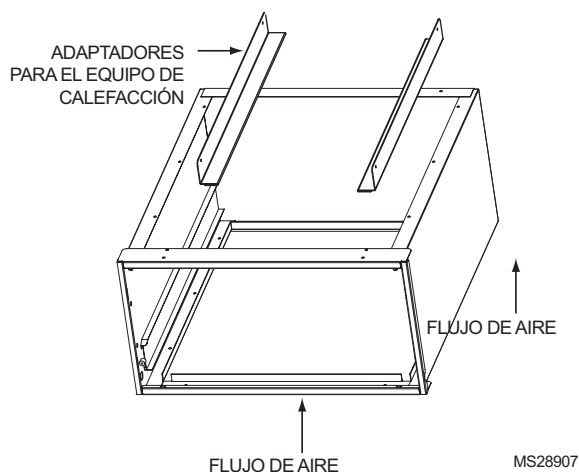


Fig. 9. Uso de los adaptadores para el equipo de calefacción.

## Montaje del limpiador de aire mejorado Honeywell FH8000F (equipo de calefacción)

- f. Se incluyen adaptadores para el conducto de aire de retorno, para mayor conveniencia del instalador. Deberán utilizarse para conectar el lateral superior del gabinete del limpiador de aire mejorado Honeywell al conducto de aire de retorno (ver Fig. 10).
- g. Coloque cinta de espuma entre el equipo de calefacción y el gabinete del limpiador de aire mejorado Honeywell.
- h. Existen agujeros de montaje para poder fijar el conducto y el equipo de calefacción.
- i. Selle todas las uniones con cinta o calafateo después de fijar el gabinete del limpiador de aire mejorado Honeywell.

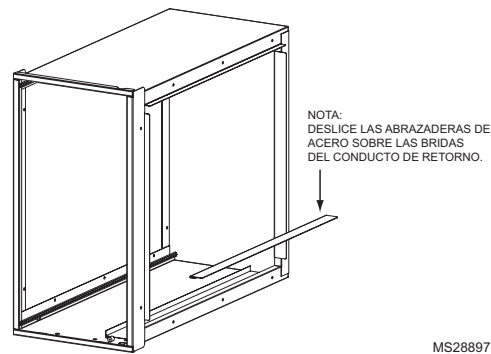


Fig. 10. Uso de los adaptadores para el conducto de retorno.

Antes de proceder con el cableado de la página 14:

- Instalé el gabinete del limpiador de aire mejorado Honeywell y lo fijé al conducto tal como se indica.

**Se completó el montaje de los modelos FH8000F. Consulte la página 14.**

## Antes de cablear el limpiador de aire mejorado Honeywell



### **ADVERTENCIA: riesgo de electrocución.**

Antes de comenzar con el cableado, asegúrese que el limpiador de aire mejorado Honeywell esté desenchufado.

Si no tiene en cuenta esta advertencia, existe el riesgo de lesiones personales o de muerte. Antes de instalar o reparar el sistema, siempre desconecte la energía eléctrica principal del sistema. Es posible que exista más de un interruptor de desconexión.

Antes de cablear el limpiador de aire mejorado Honeywell:

- Comprendo los códigos y las reglamentaciones locales vigentes de cableado, y cumpliré con tales códigos y reglamentaciones.

**NOTA:** para cablear los modelos FH8000A, consulte la página 15.

**NOTA:** para cablear los modelos FH8000F, consulte la página 17.

# Cableado del limpiador de aire mejorado Honeywell FH8000A (controlador de aire)

## PASO UNO: cableado de los modelos FH8000A (controlador de aire)

- Asegúrese de desconectar la energía eléctrica del sistema de calefacción y refrigeración.
- Coloque el interruptor de encendido del limpiador de aire mejorado Honeywell en la posición "OFF" (apagado).
- Enchufe el cable de alimentación y el cable del interruptor de flujo de aire en sus conectores de suministro eléctrico (ver Fig. 11).
- Con el tornillo incluido en el terminal de conexión a tierra, asegure el conductor de conexión a tierra del cable de alimentación al terminal de conexión a tierra en el gabinete (consulte la Fig. 11).

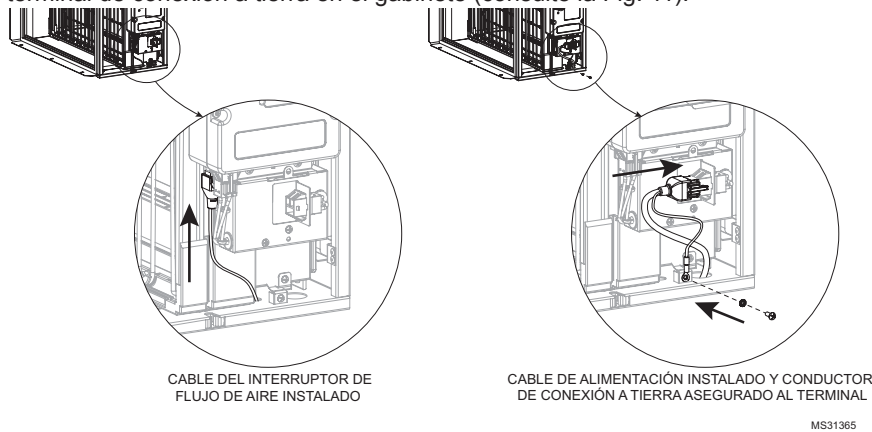


Fig. 11. Instalación del cable del interruptor de flujo de aire y del cable de alimentación.

**NOTA:** se puede hacer pasar el cable de alimentación por cualquiera de los laterales del gabinete. Según sea necesario, utilice los sujetadores plásticos incluidos para asegurar el cable de alimentación en el lateral del suministro eléctrico.

**NOTA:** si el cable de alimentación es redireccionado, deberá quitar y volver a instalar el conector de cable y las placas de bloqueo. Deberá ajustar los tornillos de la abrazadera del conector de cable con un par de torsión de 9 pulgadas-libras.

**NOTA:** el limpiador de aire mejorado Honeywell con controlador de aire debe ser alimentado por 208 a 230 V CA, a 60 Hz.

**NOTA:** el limpiador de aire mejorado Honeywell deberá ser encendido únicamente cuando haya flujo de aire. El interruptor de flujo de aire viene instalado de fábrica. Consulte la Fig. 1 en la página 4 y la Fig. 14 en la página 16. Para derivar el sensor de flujo de aire para localizar y solucionar problemas, utilice el enchufe del puente de derivación especial (ver Fig. 12) incluido en la bolsa de piezas. Con el puente de derivación ya en su lugar, el limpiador de aire quedará encendido siempre que esté conectado al suministro de electricidad. El puente de derivación no está diseñado para ser utilizado en un funcionamiento normal.

- Fije los terminales de conexión rápida a los cables de conexión eléctrica con fusibles (en la bolsa de piezas, unidos al cable de alimentación) y conéctelos a la energía de campo entrante. Los terminales son de polaridad neutra y pueden ser conectados en cualquier polaridad. Fije el anillo de conexión a tierra a la conexión a tierra del chasis del controlador de aire (ver Fig. 13 en la página 16).

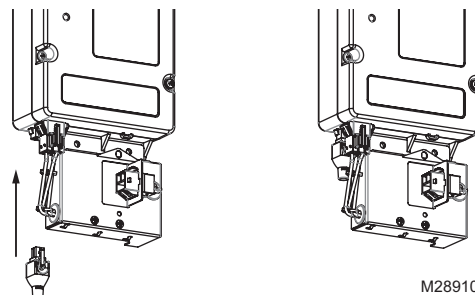


Fig. 12. Enchufe del puente de derivación del sensor de flujo de aire instalado.

# Cableado del limpiador de aire mejorado Honeywell FH8000A (controlador de aire)

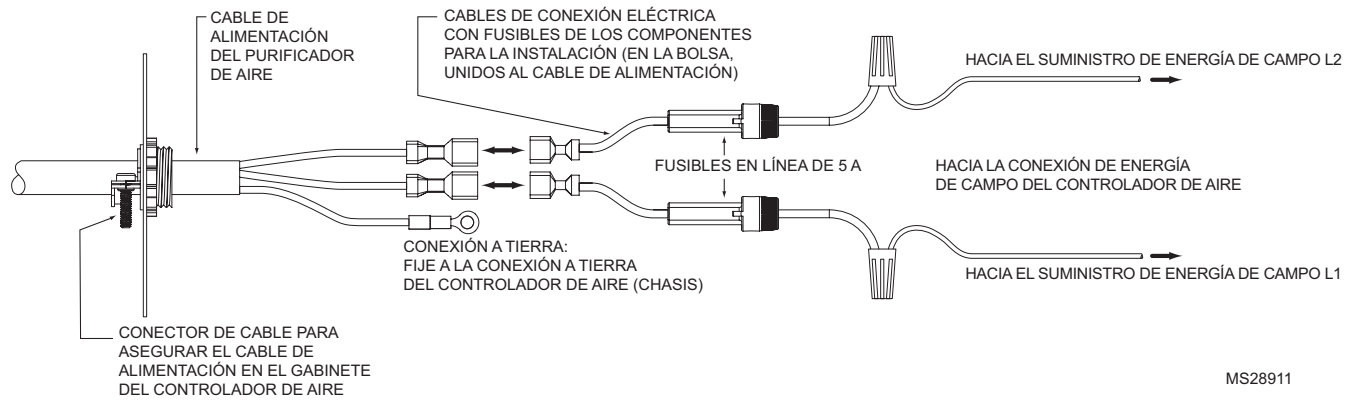


Fig. 13. Conexión a tierra del chasis del controlador de aire mejorado Honeywell.

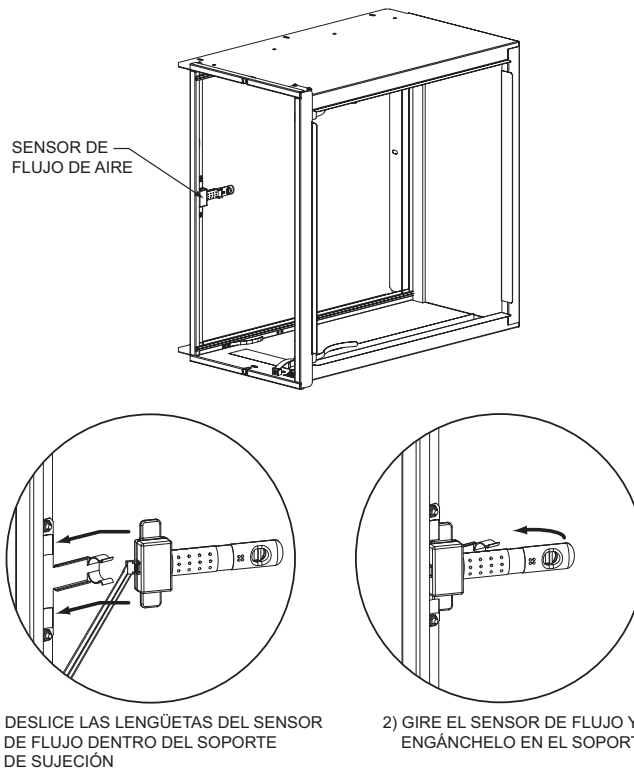


Fig. 14. Instalación del interruptor de flujo de aire.

Antes de proceder con la puesta en marcha y el funcionamiento de la página 19:

- Realicé el cableado del limpiador de aire mejorado Honeywell tal como se indica.

**Se completó el cableado de los modelos FH8000A. Consulte la página 19.**

# Cableado del limpiador de aire mejorado Honeywell FH8000F (equipo de calefacción)

## PASO UNO: cableado de los modelos FH8000F (equipo de calefacción)

- Asegúrese de suprimir la energía eléctrica del sistema de calefacción y refrigeración.
- Coloque el interruptor de encendido del limpiador de aire mejorado Honeywell en la posición "OFF" (apagado).
- Enchufe el cable de alimentación en el conector de suministro eléctrico (ver Fig. 15).
- Con el tornillo incluido en el terminal de conexión a tierra, asegure el conductor de conexión a tierra del cable de alimentación al terminal de conexión a tierra en el gabinete (ver Fig. 15).

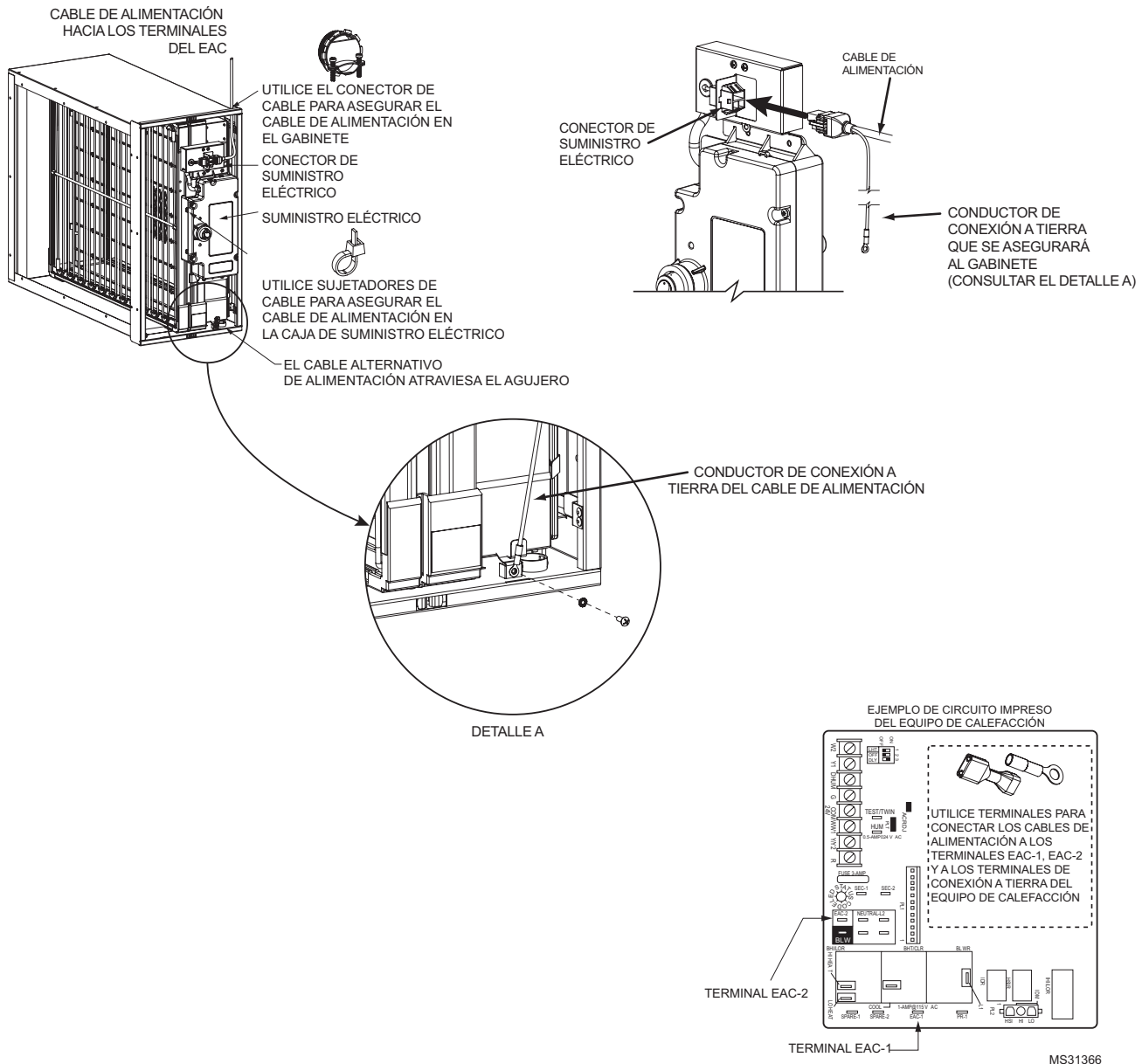


Fig. 15. Conexiones eléctricas.

- Pase el cable de alimentación a través del agujero más cercano del gabinete y protéjalo con el conector de cable incluido. Se incluyen sujetadores plásticos para asegurar el cable de alimentación en el lateral del suministro eléctrico.

## Cableado del limpiador de aire mejorado Honeywell FH8000F (equipo de calefacción)

- f. Fije los terminales de conexión rápida a las conexiones de espada EAC-1 y EAC-2 del equipo de calefacción, las cuales son de polaridad neutra.
- g. Fije el anillo de conexión a tierra a la conexión a tierra del chasis del equipo de calefacción.

**NOTA:** el limpiador de aire mejorado Honeywell FH8000F debe ser alimentado por 120 V CA a 60 Hz.

**NOTA:** el limpiador de aire mejorado Honeywell deberá ser encendido únicamente cuando haya flujo de aire. Las conexiones de espada del limpiador electrónico de aire (EAC) del control del equipo de calefacción suministran energía únicamente cuando el soplador del equipo de calefacción está en funcionamiento. Si las conexiones del EAC no están disponibles, deberá utilizarse un mecanismo alternativo de detección de flujo de aire tal como el interruptor de presión diferencial 50027910-001 de Honeywell para garantizar que el limpiador de aire mejorado Honeywell sea alimentado únicamente cuando haya flujo de aire. Comuníquese con un distribuidor local de Honeywell para obtener información sobre los sensores de flujo de aire alternativos.

Antes de proceder con la puesta en marcha y el funcionamiento de la página 19:

- Realicé el cableado del limpiador de aire mejorado Honeywell tal como se indica.

**Se completó el cableado de los modelos FH8000F. Consulte la página 19.**



# Puesta en marcha y funcionamiento

## Verificación del funcionamiento del limpiador de aire

**⚠ ADVERTENCIA :** riesgo de electrocución.

Si no tiene en cuenta esta advertencia, existe el riesgo de lesiones personales o de muerte.

Antes de instalar o reparar el sistema, siempre desconecte la energía eléctrica principal del sistema. Es posible que exista más de un interruptor de desconexión.

- a. Fije la puerta del limpiador de aire mejorado Honeywell al gabinete. Existe un imán en la puerta (ver Fig. 16) que se utiliza para activar un interruptor de seguridad del suministro eléctrico cuando se instala la puerta. El suministro eléctrico no energizará el limpiador de aire, a menos que el interruptor de seguridad esté activado.

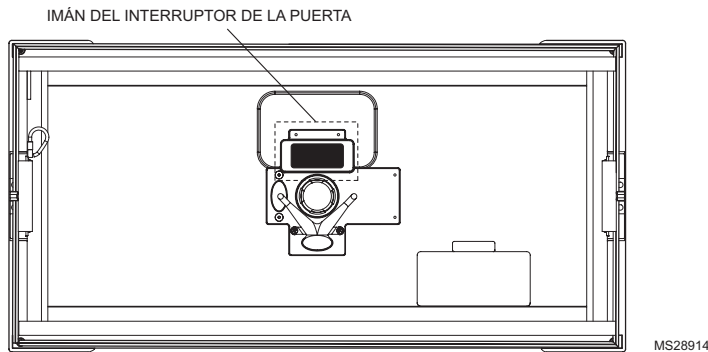


Fig. 16. Imán del interruptor de la puerta

- b. Encienda el sistema de calefacción, ventilación y aire acondicionado (HVAC) y regule el termostato para activar el ventilador del sistema.  
c. Coloque el interruptor de encendido del limpiador de aire mejorado Honeywell en la posición "ON" (encendido).  
d. La luz del indicador de encendido, ubicada debajo del interruptor de encendido del limpiador de aire mejorado Honeywell, se iluminará (ver Fig. 17).

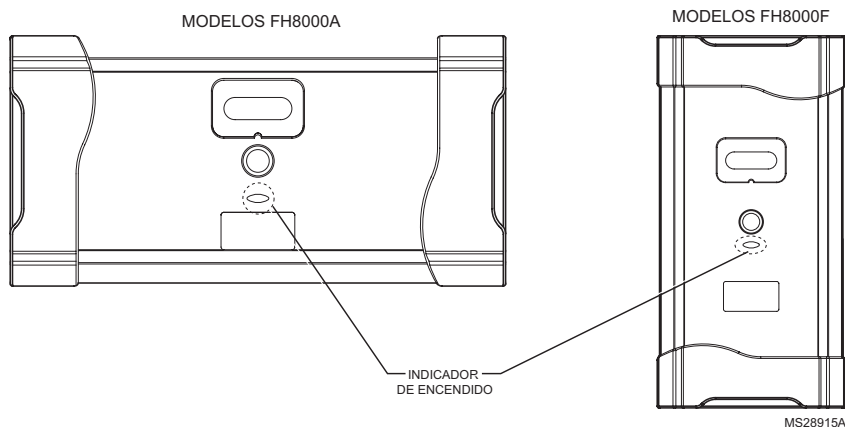


Fig. 17. Indicador de encendido.

- e. Asegúrese que la luz se apague cuando se coloca el interruptor de encendido del limpiador de aire mejorado Honeywell en la posición "OFF" (apagado), cuando se apaga el soplador o cuando se apaga el sistema de HVAC.

**NOTA:** luego de encender los modelos FH8000A, la luz se enciende durante, aproximadamente, cinco segundos y, si no se detecta flujo, se apagará. Si no hay un cartucho del filtro de aire, el sensor de flujo detecta esto y apaga el limpiador de aire mejorado Honeywell luego de, aproximadamente, siete segundos.

## Mantenimiento

El limpiador de aire mejorado Honeywell está diseñado para necesitar un mantenimiento mínimo. El mantenimiento está limitado al reemplazo del filtro y a una inspección periódica/limpieza con cepillo del panel de ionización. La frecuencia del reemplazo del cartucho del filtro de aire y de la limpieza del panel de ionización puede variar según el diseño del conducto y las condiciones medioambientales locales.

### Para reemplazar el cartucho del filtro de aire, complete los siguientes pasos:

1. Apague el sistema de calefacción y refrigeración.

**⚠ ADVERTENCIA:** riesgo de electrocución.

Si no tiene en cuenta esta advertencia, existe el riesgo de lesiones personales o de muerte.

Antes de instalar o reparar el sistema, siempre desconecte la energía eléctrica principal del sistema. Es posible que exista más de un interruptor de desconexión.

2. Coloque el interruptor del limpiador de aire mejorado Honeywell en la posición "OFF" (apagado).
3. Quite la puerta del limpiador de aire mejorado Honeywell.
4. Deslice el filtro anterior hacia fuera y deséchelo.
5. Instale el filtro nuevo.



Fig. 18: cerciórese de que las flechas del filtro estén orientadas en la misma dirección que la flecha en el módulo de mejoramiento. Esto deberá estar en la misma dirección del flujo de aire.

**NOTA:** Cambie el filtro al menos una vez al año, con mayor frecuencia si fuese necesario.

6. Vuelva a colocar la puerta del limpiador de aire mejorado Honeywell.
7. Coloque el interruptor del limpiador de aire mejorado Honeywell en la posición "ON" (encendido).
8. Encienda el sistema de calefacción y refrigeración.

## Mantenimiento

**Si, al momento del reemplazo del filtro, se advierten residuos de polvo en las puntas de los puntos del panel de ionización del módulo de mejoramiento, proceda a limpiarlas completando los siguientes pasos:**

1. Apague el sistema de calefacción y refrigeración.

**⚠ ADVERTENCIA:** riesgo de electrocución.

Si no tiene en cuenta esta advertencia, existe el riesgo de lesiones personales o de muerte.

Antes de instalar o reparar el sistema, siempre desconecte la energía eléctrica principal del sistema. Es posible que exista más de un interruptor de desconexión.

2. Coloque el interruptor del limpiador de aire mejorado Honeywell en la posición "OFF" (apagado).
3. Quite la puerta del limpiador de aire mejorado Honeywell.
4. **Modelos FH8000A:** desconecte el cable de alimentación y el cable del sensor de flujo (si está conectado) del módulo de mejoramiento (ver Fig. 11 en la página 15).  
**Modelos FH8000F:** desconecte el cable de alimentación del módulo de mejoramiento (ver Fig. 15 en la página 17).
5. Deslice hacia fuera el ensamblaje del módulo de mejoramiento y la pantalla de seguridad.

**⚠ PRECAUCIÓN:** riesgo de lesiones personales.

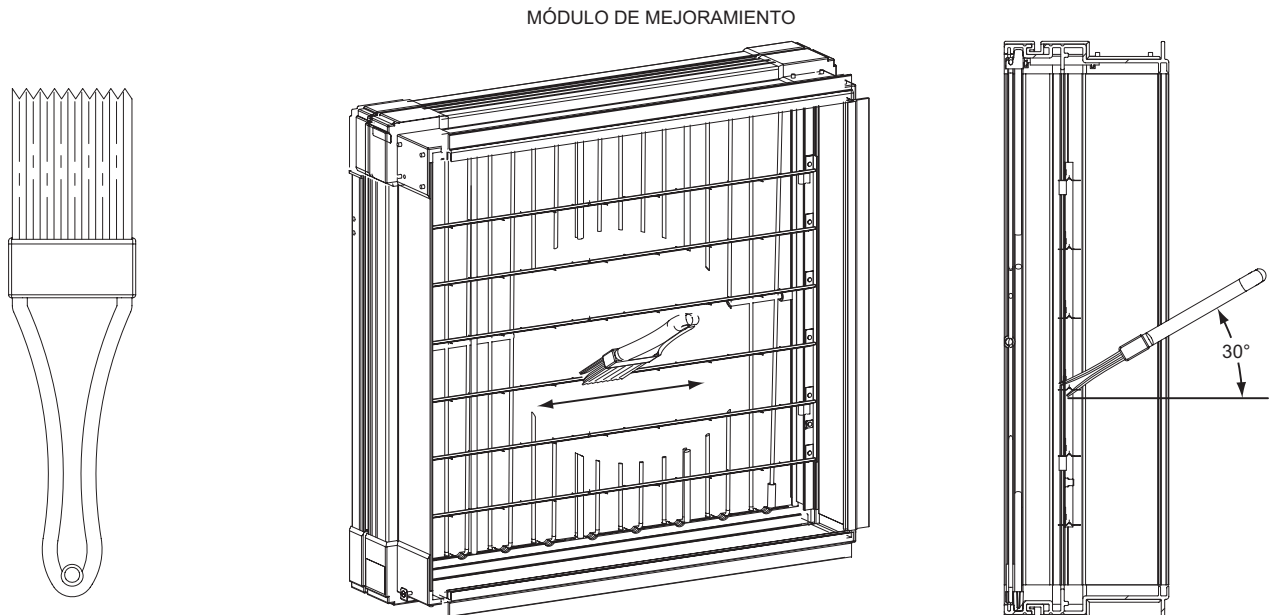
Si no tiene en cuenta esta advertencia, existe el riesgo de lesiones personales.

Las puntas del ionizador son FILOSAS y pueden causar lesiones. Tenga cuidado y use vestimenta adecuada de protección y guantes cuando manipule las piezas o efectúe el mantenimiento.

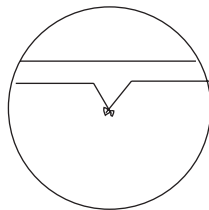
6. Deslice la pantalla de seguridad hacia fuera y déjela a un lado

**NOTA:** herramientas más adecuadas para la limpieza: cepillo de cerdas naturales o sintéticas de 51 mm (2 in) de ancho (o más) con un mango de 127 mm (5 in) (ver Fig. 18) o una aspiradora con cepillo accesorio.

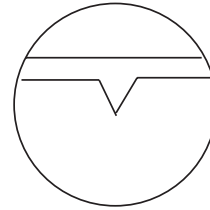
7. Pase el cepillo suavemente por los puntos de ionización del plano superior de cada barra con una profundidad suficiente del cepillo como para poder golpear las puntas frontales y posteriores de los puntos del panel de ionización. Realice un movimiento de cepillado suave de atrás a adelante para limpiar cualquier acumulación pequeña en las puntas de los puntos. Si lo desea, utilice una aspiradora con cepillo accesorio para aspirar suavemente el armazón y los componentes del módulo de mejoramiento.



¡LOS PUNTOS SON FILOSOS! TENGA MUCHO CUIDADO DURANTE LA LIMPIEZA



PUNTO DE IONIZACIÓN CON RESIDUOS



PUNTO DE IONIZACIÓN DESPUÉS DE LA LIMPIEZA

MS28916A

Fig. 19. Eliminación de acumulaciones en los puntos de ionización.

8. Vuelva a instalar la pantalla de seguridad.
9. Deslice el módulo de mejoramiento nuevamente dentro del gabinete.
10. **Modelos FH8000A:** vuelva a conectar el cable de alimentación y el cable del sensor de flujo (ver Fig. 11 en la página 15).  
**Modelos FH8000F:** vuelva a conectar el cable de alimentación (ver Fig. 15 en la página 17).
11. Vuelva a colocar la puerta del limpiador de aire mejorado Honeywell.
12. Coloque el interruptor del limpiador de aire mejorado Honeywell en la posición "ON" (encendido).
13. Encienda el sistema de calefacción y refrigeración.

## Localización y solución de problemas

**⚠️ ADVERTENCIA:** riesgo de electrocución.

Si no tiene en cuenta esta advertencia, existe el riesgo de lesiones personales o de muerte.

Los siguientes procedimientos dejarán componentes eléctricos al descubierto. Antes de realizar la eparación, siempre desconecte la energía eléctrica principal del sistema. Es posible que exista más de un interruptor de desconexión.

**⚠️ PRECAUCIÓN:** riesgo de lesiones personales.

Si no tiene en cuenta esta advertencia, existe el riesgo de lesiones personales.

Las siguientes instrucciones son únicamente para ser utilizadas por personal calificado.

El limpiador de aire mejorado Honeywell tiene una luz del indicador de encendido ubicada en la puerta ver Fig. 17 en la página 19). Esta luz del indicador de encendido se ilumina cuando se instala la puerta del limpiador de aire mejorado Honeywell, cuando el interruptor de encendido está en la posición "ON" (encendido) Y cuando el soplador del controlador de aire o el soplador del equipo de calefacción están en funcionamiento, y (para los modelos FH8000A) cuando se detecta flujo de aire. Si la luz del indicador de encendido no se ilumina, siga los siguientes pasos para localizar y solucionar el problema.

1. Verifique que la puerta del limpiador de aire mejorado Honeywell esté instalada.

**NOTA:** existe un imán en la puerta (ver Fig. 16 en la página 19) que se utiliza para activar un interruptor de seguridad del suministro eléctrico cuando se instala la puerta. El suministro eléctrico no energizará el limpiador de aire, a menos que el interruptor de seguridad esté activado.

2. Verifique que el interruptor de encendido del limpiador de aire mejorado Honeywell se encuentre en la posición "ON" (encendido).
3. Compruebe que el soplador del sistema de calefacción y refrigeración esté funcionando.
4. Confirme que haya suministro de energía eléctrica.

**Modelos FH8000A:** de 208 a 230 V CA.

**Modelos FH8000F:** 120 V CA.

5. **Modelos FH8000A ÚNICAMENTE:** compruebe que el cable del sensor de flujo esté conectado al suministro eléctrico (ver Fig. 11 en la página 15).

**NOTA:** aunque el limpiador de aire mejorado Honeywell reciba energía eléctrica, no se encenderá, a menos ue el sensor de flujo de aire detecte flujo de aire o que el enchufe de derivación del sensor de flujo de aire esté insertado.

- a. Si aún no funciona, desconecte el cable del sensor de flujo de aire y el cable de alimentación del suministro eléctrico.
- b. Quite el módulo de mejoramiento del gabinete del limpiador de aire mejorado Honeywell y revise el interruptor de flujo de aire (ver Fig. 14 en la página 16).
- c. Compruebe que el interruptor de flujo de aire esté asentado correctamente en su soporte y que el cable del interruptor de flujo de aire esté conectado en la parte posterior del interruptor. Vuelva a colocar el módulo de mejoramiento.

## Localización y solución de problemas

- d. Vuelva a conectar el cable de alimentación al suministro eléctrico e inserte momentáneamente el puente (de la bolsa de piezas) para deshabilitar el sensor de flujo de aire.
  - e. Si la luz del indicador de encendido se ilumina, entonces reemplace el sensor de flujo de aire.
- 6. **Modelos FH8000F ÚNICAMENTE:** confirme que la energía eléctrica provista desde los terminales del EAC del control del equipo de calefacción está siendo transmitida a través del cableado hacia el suministro eléctrico del limpiador de aire mejorado Honeywell.
- 7. Instale la puerta en el limpiador de aire mejorado Honeywell.
- 8. Coloque el interruptor de encendido en la posición "ON" (encendido).
- 9. Si se han completado todos los pasos anteriores y la luz del indicador de encendido sigue sin luminarse, reemplace el módulo de mejoramiento. Tenga en cuenta que, aparte de la pantalla de seguridad, no hay otra pieza que pueda repararse en el módulo de mejoramiento.

# Especificaciones, dimensiones y aprobaciones

## Especificaciones

Tabla 1. Especificaciones.

Especificación	FH8000A 1620	FH8000A 2020	FH8000A 2520	FH8000F 1625	FH8000F 2025
Color	Gris imperial oscuro				
Material del gabinete	Acero calibre 20 con pintura en polvo				
Electricidad	208 a 230 VCA a 60 Hz, 0.5A máx			120 VCA, a 60 Hz, 0.5A máx	
Rango de temperatura de funcionamiento	De -20 a 70 °C (-4 a 158 °F)				
Rango de humedad de funcionamiento	Del 5% al 95% de HR (sin condensación)				
Máximo flujo de aire (CFM)	1350	1800	2000	1600	2000
Eficiencia	Equivalente a MERV 15				
Filtro de reemplazo	FR8000A1620	FR8000A2020	FR8000A2520	FR8000F1625	FR8000F2025
Caída de presión inicial (in de c.a.) a un flujo de aire de 492 pies/min	0.22 in de c.a.	0.25 in de c.a.	0.22 in de c.a.	0.25 in de c.a.	0.25 in de c.a.

## Dimensiones<sup>1</sup>

Tabla 2. Dimensiones en pulgadas y (mm).

Dimensiones:	FH8000A 1620	FH8000A 2020	FH8000A 2520	FH8000F 1625	FH8000F 2025
A	18 5/8 (473)	22 1/8 (562)	25 5/8 (651)	18 3/8 (467)	21 7/8 (556)
B	15 3/8 (391)	18 7/8 (479)	22 3/8 (568)	15 1/8 (384)	18 5/8 (473)
C	13 1/8 (333)	13 1/8 (333)	13 1/8 (333)	11 1/8 (283)	11 1/8 (283)
D	17 5/8 (448)	21 1/8 (537)	24 5/8 (626)	17 1/2 (445)	21 (533)
E	19 7/8 (505)	19 7/8 (505)	19 7/8 (505)	22 1/8 (562)	22 1/8 (562)
F	22 1/4 (565)	22 1/4 (565)	22 1/4 (565)	25 1/4 (641)	25 1/4 (641)
G	11 1/4 (286)	11 1/4 (286)	11 1/4 (286)	N/D	N/D

## Normas y aprobaciones

El limpiador de aire está probado y certificado conforme a lo siguiente:

- CSA 22.2 N° 187-09
- UL 900 (sólo el filtro)

**NOTA:** el limpiador de aire mejorado Honeywell está certificado por la CSA sólo en cuanto a riesgos de descargas y de incendios eléctricos.

<sup>1</sup> Consulte la Fig. 21 en la página 27 para ver los dibujos con dimensiones.

# Especificaciones, dimensiones y aprobaciones

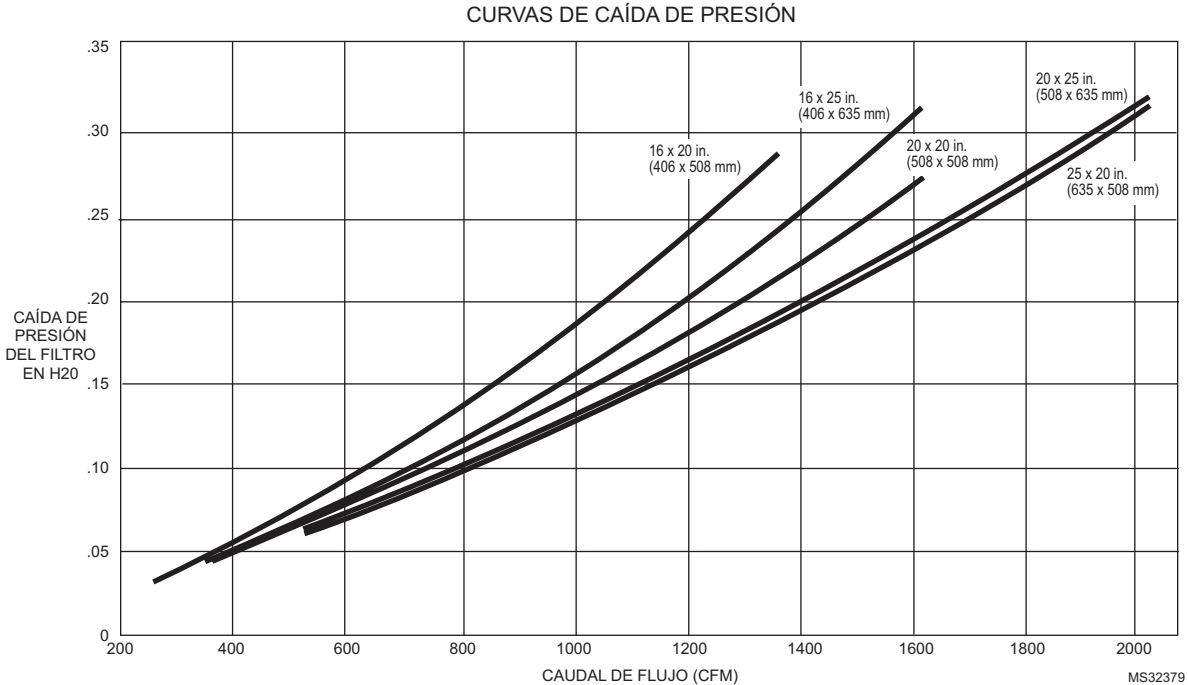


Fig. 20. Curvas de caída de presión



# Especificaciones, dimensiones y aprobaciones

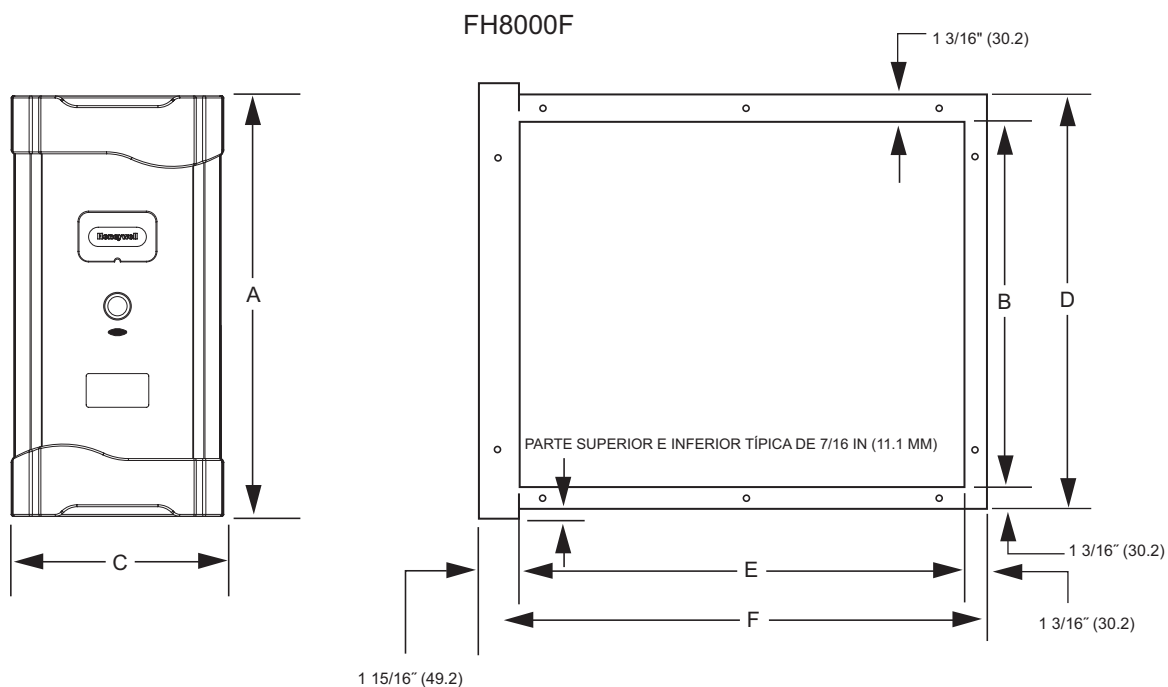
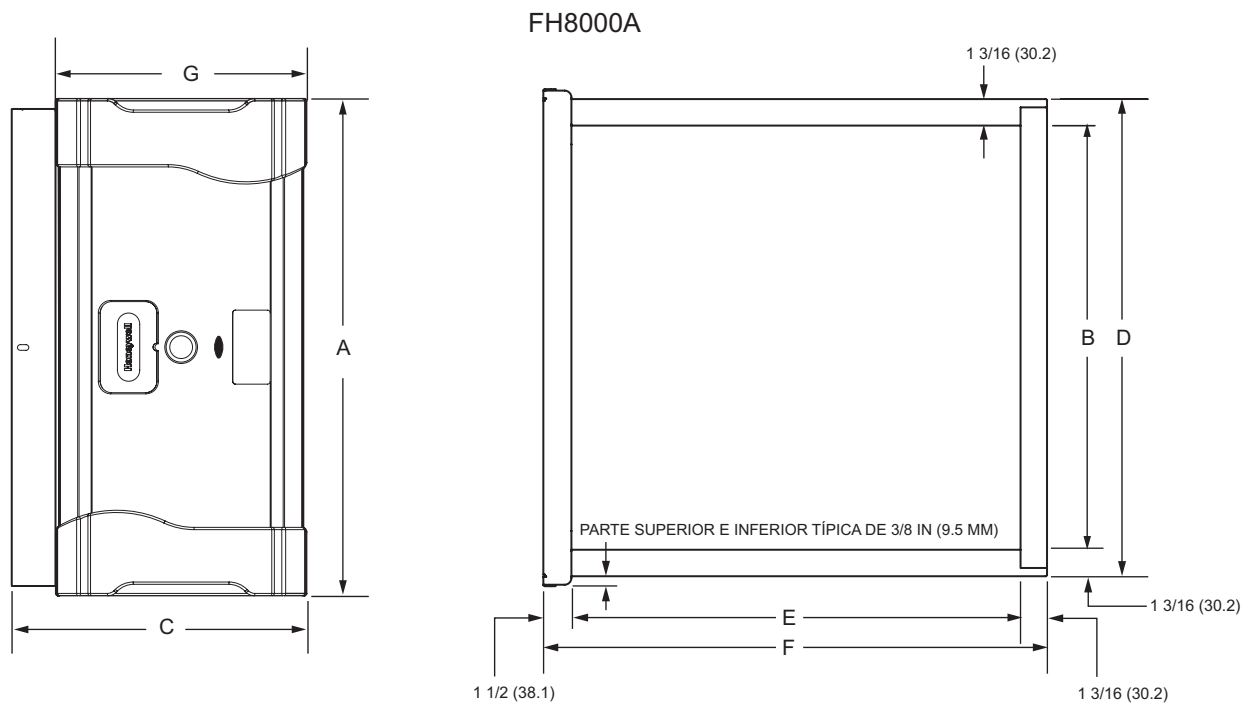
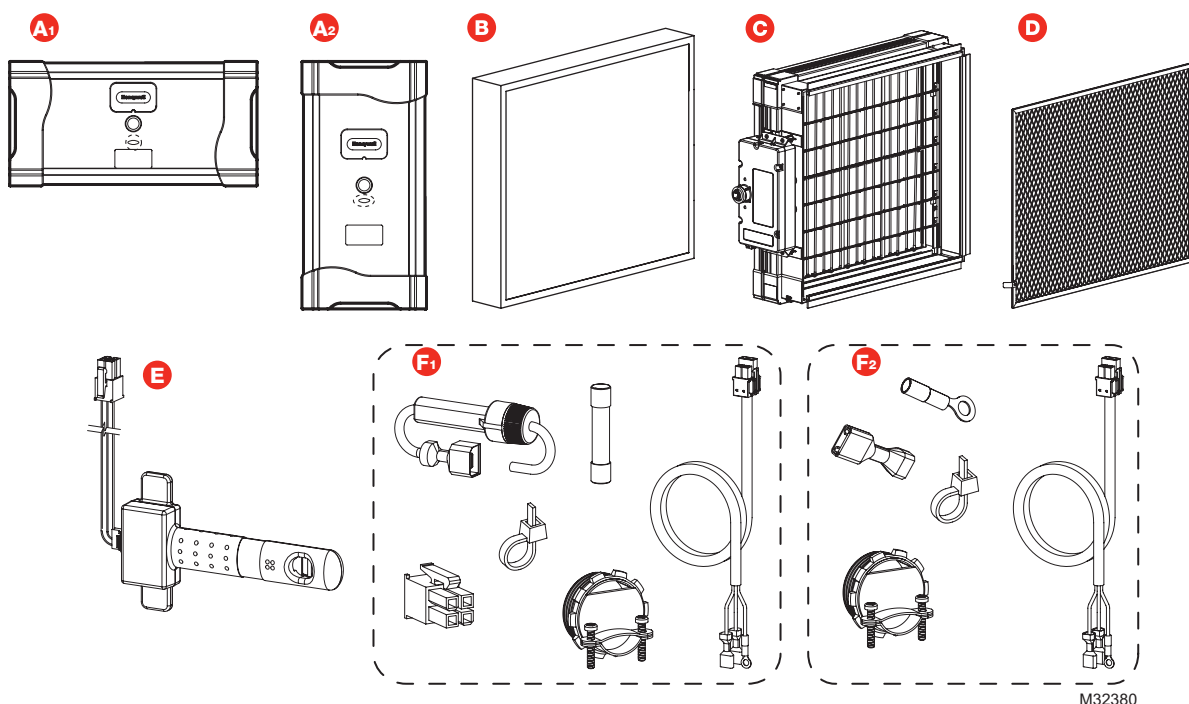


Fig. 21. Dimensiones en pulgadas (mm).<sup>1</sup>

<sup>1</sup> Consulte la Tabla 2 en la página 25 para ver las dimensiones designadas por letras.

## Lista de piezas de TrueCLEAN™

		FH8000F1625	FH8000F2025	FH8000A1620	FH8000A2020	FH8000A2520
A	Puerta	50053268-006	50053268-007	50053268-008	50053268-009	50053268-010
B	Filtro	FR8000F1625	FH8000F2025	FH8000A1620	FH8000A2020	FH8000A2520
C	Módulo de mejoramiento	50053268-001	50053268-002	50053268-003	50053268-004	50053268-005
D	Pantalla de seguridad	50053268-011	50053268-012	50053268-013	50053268-014	50053268-015
E	Sensor de flujo de aire	NA		50053268-018		
F	Cable de alimentación y accesorios (componentes de instalación)	50053268-016		50053268-017		



- A<sub>1</sub>** Puerta FH8000A.
- A<sub>2</sub>** Puerta FH8000F
- B** Filtro
- C** Módulo de mejoramiento
- D** Pantalla de seguridad
- E** Sensor de flujo de aire (FH8000A)
- F<sub>1</sub>** Cable de alimentación y accesorios (componentes de instalación FH8000A)
- F<sub>2</sub>** Cable de alimentación y accesorios (componentes de instalación FH8000F)

## Garantía limitada de 5 años

Honeywell garantiza que este producto no tiene defectos en la mano de obra ni en los materiales en condiciones de uso y servicio normales durante un período de cinco (5) años desde la fecha de compra del consumidor. Si en cualquier momento, durante el período de vigencia de la garantía, se determina que el producto está defectuoso o no funciona adecuadamente, Honeywell lo reparará o lo reemplazará (a elección de Honeywell).

Si el producto presenta defectos,

(i) llévelo al lugar donde lo compró, junto con la factura de compra u otra prueba de compra que incluya la fecha en la que compró el producto; o

(ii) comuníquese con el Servicio al cliente de Honeywell al 1-800-468-1502. El Servicio al cliente determinará si el producto debe enviarse a la siguiente dirección: Honeywell Return Goods, Dock 4 MN10-3860, 1985 Douglas Dr. N., Golden Valley, MN 55422, o si se le puede enviar un producto de reemplazo.

Esta garantía no cubre los gastos de remoción ni de reinstalación. Esta garantía no se aplicará si Honeywell demuestra que el defecto o funcionamiento inadecuado fueron causados por daños que se produjeron mientras el producto estaba en posesión de un consumidor.

La única responsabilidad de Honeywell será la de reparar o reemplazar el producto dentro de los términos mencionados anteriormente. HONEYWELL NO SERÁ RESPONSABLE DE LA PÉRDIDA NI DAÑO DE NINGÚN TIPO, QUE INCLUYE CUALQUIER DAÑO INCIDENTAL O CONSECUENTE QUE RESULTE, DIRECTA O INDIRECTAMENTE, DE CUALQUIER INCUMPLIMIENTO DE CUALQUIER GARANTÍA, EXPRESA O IMPLÍCITA, O DE CUALQUIER OTRA FALLA DE ESTE PRODUCTO. Algunos estados no permiten la exclusión o limitación de los daños incidentales o consecuentes por lo que esta limitación podría no aplicarse en su caso. ESTA GARANTÍA ES LA ÚNICA GARANTÍA EXPRESA QUE HONEYWELL REALIZA SOBRE ESTE PRODUCTO. LA DURACIÓN DE CUALQUIERA DE LAS GARANTÍAS IMPLÍCITAS, INCLUYENDO LAS GARANTÍAS DE COMERCIABILIDAD O DE APTITUD PARA UN FIN DETERMINADO, ESTÁN LIMITADAS A LOS CINCO AÑOS DE DURACIÓN DE ESTA GARANTÍA. Algunos estados no permiten limitaciones en relación a la duración de una garantía implícita, de manera tal que la limitación anterior puede no aplicarse en su caso. Esta garantía le otorga derechos legales específicos pero es posible que usted goce de otros derechos que varían de un estado a otro.

Si tiene preguntas sobre esta garantía, escriba a Honeywell Customer Relations, 1985 Douglas Dr, Golden Valley, MN 55422 o llame al 1 (800) 468-1502. En Canadá, escriba a Retail Products ON15-02H, Honeywell Limited/ Honeywell Limitée, 35 Dynamic Drive, Toronto, Ontario M1V4Z9.

**Automatización y control desenlace**

Honeywell International Inc.  
1985 Douglas Drive North  
Golden Valley, MN 55422

Honeywell Limited—Honeywell Limitée  
35 Dynamic Drive  
Toronto, Ontario M1V 4Z9  
<http://yourhome.honeywell.com>

© Marca Registrada en los EE. UU.  
© 2011 Honeywell International Inc.  
68-0308EFS—03 M.S. Rev. 01-11  
Impreso en EE. UU.

**Honeywell**