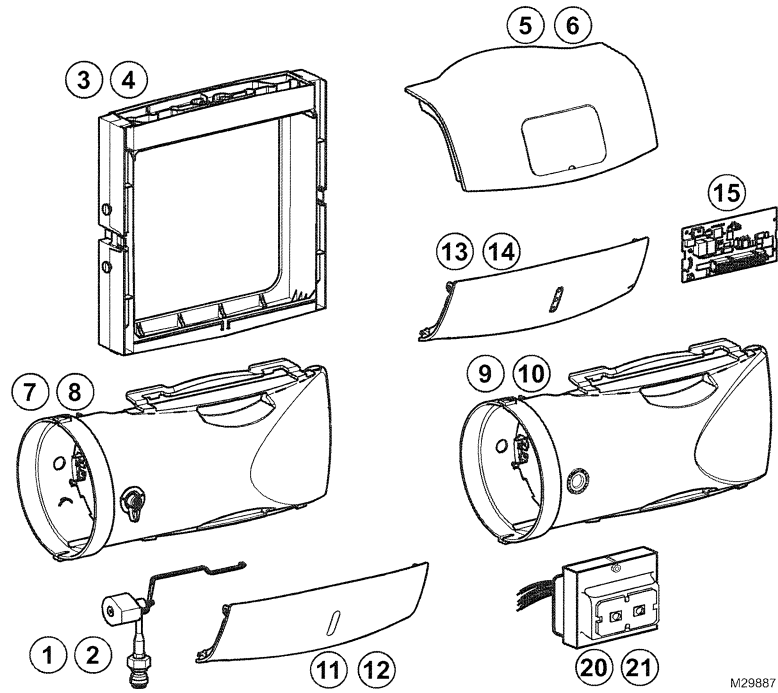
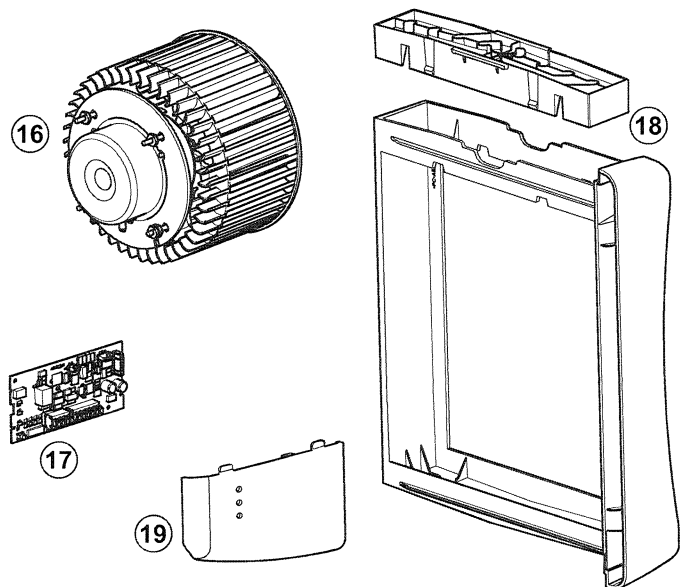


C: Parts List



M29887



M29951

Figure Reference	Part Number	Part Description	Use With Model
N/A	HC26E1004	Large AgION coated replacement pad	HE200, HE250, HE300
N/A	HC26A1008	Large standard replacement pad	HE200, HE250, HE300
N/A	HC22E1003	Small AgION coated replacement pad	HE100, HE150
N/A	HC22A1007	Small standard replacement pad	HE100, HE150
N/A	32001616-001	Saddle valve	HE100, HE150, HE200, HE250, HE300
1	50041883-002	AC Solenoid valve	HE100, HE200
2	50041883-001	DC Solenoid valve	HE150, HE250, HE300
3	50041861-001	Frame and tray assembly for small bypass model	HE100, HE200
4	50041861-002	Frame and tray assembly for large bypass model	HE150, HE250
5	50052641-001	Top cover for small bypass model	HE100, HE150
6	50052641-002	Top cover for large bypass model	HE200, HE250
7	50041888-001	Small bypass duct with manual damper	HE100
8	50041888-002	Large bypass duct with manual damper	HE200
9	50041890-001	Small bypass duct with automatic damper	HE150
10	50041890-002	Large bypass duct with automatic damper	HE250
11	50041886-001	Bottom cover for small basic bypass model	HE100
12	50041887-001	Bottom cover for large basic bypass model	HE200
13	50052642-001	Bottom cover for small advanced bypass model	HE150
14	50052642-002	Bottom cover for large advanced bypass model	HE250
15	50035197-002	Bypass model circuit board	HE150, HE250
16	50045729-001	Blower and motor assembly with isolator	HE300
17	50035197-001	Fan model circuit board	HE300
18	50041919-001	Frame and tray assembly for fan model	HE300
19	50052653-001	Wire terminal cover for fan model	HE300
20	32001652-001	10V transformer	HE100, HE200
21	50050349-001	15V transformer	HE150, HE250