

24ABB4 Base™ 14 Air Conditioner with Puron® Refrigerant



Turn to the Experts™

Product Data



Carrier's Air Conditioners with Puron® refrigerant provide a collection of features unmatched by any other family of equipment. The 24ABB has been designed utilizing Carrier's Puron refrigerant. The environmentally sound refrigerant allows you to make a responsible decision in the protection of the earth's ozone layer.

As an Energy Star® Partner, Carrier Corporation has determined that this product meets the Energy Star® guidelines for energy efficiency. Refer to the combination ratings in the Product Data for system combinations that meet Energy Star® guidelines.

NOTE: Ratings contained in this document are subject to change at any time. Always refer to the AHRI directory (www.ahridirectory.org) for the most up-to-date ratings information.

INDUSTRY LEADING FEATURES / BENEFITS

Efficiency

- 14 - 16 SEER/11.2 - 13.5 EER
- Microtube Technology™ refrigeration system
- Indoor air quality accessories available

Sound

- Sound level as low as 76 dBA
- Sound level as low as 74 dBA with accessory sound blanket

Comfort

- System supports Edge® Thermostat™ or standard thermostat controls

Reliability

- Puron® refrigerant - environmentally sound, won't deplete the ozone layer and low lifetime service cost.
- Scroll compressor
- Internal pressure relief valve
- Internal thermal overload
- Filter drier
- Balanced refrigeration system for maximum reliability

Durability

WeatherArmor™ protection package:

- Solid, durable sheet metal construction
- Dense wire coil guard available
- Baked-on, complete outer coverage, powder paint

Applications

- Long-line - up to 250 feet (76.20 m) total equivalent length, up to 200 feet (60.96 m) condenser above evaporator, or up to 80 ft. (24.38 m) evaporator above condenser (See Longline Guide for more information.)
- Low ambient (down to -20°F/-28.9°C) with accessory kit

MODEL NUMBER NOMENCLATURE

1	2	3	4	5	6	7	8	9	10	11	12	13
N	N	A	A	A/N	N	N	N	A/N	A/N	A/N	N	N
2	4	A	B	B	4	3	6	A	0	0	3	0
Product Series	Product Family	Tier	Major Series	SEER	Cooling Capacity	Grille Variations	Open	Open	Open	Voltage	Series	
24=AC	A=RES AC	B=Base	B=Puron	4=14 SEER		A = Dense W = Standard	0=Not Defined	0=Not Defined	3=208/230-1	0 = Original Series		



This product has been designed and manufactured to meet Energy Star® criteria for energy efficiency when matched with appropriate coil components. However, proper refrigerant charge and proper air flow are critical to achieve rated capacity and efficiency. Installation of this product should follow all manufacturing refrigerant charging and air flow instructions. **Failure to confirm proper charge and air flow may reduce energy efficiency and shorten equipment life.**

STANDARD FEATURES

Feature	18	24	30	36	42	48	49	60	61
Puron Refrigerant	X	X	X	X	X	X	X	X	X
Maximum SEER	16.0	16.0	16.0	16.0	16.0	15.0	16.0	14.5	16.0
Scroll Compressor	X	X	X	X	X	X	X	X	X
Field Installed Filter Drier	X	X	X	X	X	X	X	X	X
Front Seating Service Valves	X	X	X	X	X	X	X	X	X
Internal Pressure Relief Valve	X	X	X	X	X	X	X	X	X
Internal Thermal Overload	X	X	X	X	X	X	X	X	X
Long Line capability	X	X	X	X	X	X	X	X	X
Low Ambient capability with Kit	X	X	X	X	X	X	X	X	X

X = Standard

PHYSICAL DATA

UNIT SIZE - VOLTAGE, SERIES	18-30	24-30	30-30	36-30	42-30	48-30	49-30	60-31	61-30
Operating Weight lb (kg)	171 (77.56)	162 (73.5)	163 (73.9)	191 (86.64)	225 (102.10)	231 (104.78)	264 (119.75)	272 (123.38)	293 (132.90)
Shipping Weight lb (kg)	199 (90.27)	204 (92.5)	206 (93.4)	225 (102.06)	263 (119.29)	269 (122.02)	317 (143.79)	310 (140.61)	338 (153.31)
Compressor Type	Scroll								
REFRIGERANT	Puron® (R-410A)								
Control	TXV (Puron® Hard Shutoff)								
Charge lb (kg)	5.40 (2.45)	5.48 (2.49)	5.80 (2.63)	6.97 (3.16)	8.70 (3.95)	9.00 (4.08)	13.00 (5.90)	11.37 (5.16)	14.5 (6.58)
COND FAN	Propeller Type, Direct Drive								
Air Discharge	Vertical								
Air Qty (CFM)	2235	3223	3223	3800	3800	4046	4046	4046	4046
Motor HP	1/12	1/12	1/12	1/5	1/5	1/4	1/4	1/4	1/4
Motor RPM	800	800	800	800	800	800	800	800	800
COND COIL									
Face Area (Sq ft)	19.40	17.60	17.60	22.63	25.15	25.15	25.15	25.15	30.18
Fins per In.	25	25	25	25	25	25	20	20	20
Rows	1	1	1	1	1	1	2	2	2
Circuits	3	4	4	5	6	7	7	7	8
VALVE CONNECT. (In. ID)									
Vapor	5/8	5/8	3/4	3/4	7/8	7/8	7/8	7/8	7/8
Liquid	3/8	3/8	3/8	3/8	3/8	3/8	3/8	3/8	3/8
REFRIGERANT TUBES (In. OD)									
Rated Vapor*	5/8		3/4		7/8			1-1/8	1-1/8
Max Liquid Line †	3/8								

* Units are rated with 25 ft (7.6 m) of lineset length. See Vapor Line Sizing and Cooling Capacity Loss table when using other sizes and lengths of lineset.

Note: See unit Installation Instruction for proper installation.

† See Liquid Line Sizing For Cooling Only Systems with Puron Refrigerant tables.

REFRIGERANT PIPING LENGTH LIMITATIONS

Liquid Line Sizing and Maximum Total Equivalent Lengths† for Cooling Only Systems with Puron® Refrigerant:

The maximum allowable length of a residential split system depends on the liquid line diameter and vertical separation between indoor and outdoor units.

See Table below for liquid line sizing and maximum lengths :

Maximum Total Equivalent Length Outdoor Unit BELOW Indoor Unit

Size	Liquid Line Connection	Liquid Line Diam. w/ TXV	AC with Puron Refrigerant Maximum Total Equivalent Length†: Outdoor unit BELOW Indoor Vertical Separation ft (m)									
			0-5 (0-1.5)	6-10 (1.8-3.0)	11-20 (3.4-6.1)	21-30 (6.4-9.1)	31-40 (9.4-12.2)	41-50 (12.5-15.2)	51-60 (15.5-18.3)	61-70 (18.6-21.3)	71-80 (21.6-24.4)	
18000 AC with Puron	3/8	1/4	150	150	125	100	100	75	--	--	--	
		5/16	250*	250*	250*	250*	250*	250*	250*	225*	150	
		3/8	250*	250*	250*	250*	250*	250*	250*	250*	250*	
24000 AC with Puron	3/8	1/4	75	75	75	50	50	--	--	--	--	
		5/16	250*	250*	250*	250*	250*	225*	175	125	100	
		3/8	250*	250*	250*	250*	250*	250*	250*	250*	250*	
30000 AC with Puron	3/8	1/4	30	--	--	--	--	--	--	--	--	
		5/16	175	225*	200	175	125	100	75	--	--	
		3/8	250*	250*	250*	250*	250*	250*	250*	250*	250*	
36000 AC with Puron	3/8	5/16	175	150	150	100	100	100	75	--	--	
		3/8	250*	250*	250*	250*	250*	250*	250*	250*	250*	
		3/8	250*	250*	250*	250*	250*	250*	250*	250*	250*	
42000 AC with Puron	3/8	5/16	125	100	100	75	75	50	--	--	--	
		3/8	250*	250*	250*	250*	250*	250*	250*	250*	150	
48000 AC with Puron	3/8	3/8	250*	250*	250*	250*	250*	250*	230	160	--	
60000 AC with Puron	3/8	3/8	250*	250*	250*	225*	190	150	110	--	--	

* Maximum actual length not to exceed 200 ft (61 m)

† Total equivalent length accounts for losses due to elbows or fitting. See the Long Line Guideline for details.

-- = outside acceptable range

Maximum Total Equivalent Length Outdoor Unit ABOVE Indoor Unit

Size	Liquid Line Connection	Liquid Line Diam. w/ TXV	AC with Puron Refrigerant Maximum Total Equivalent Length†: Outdoor unit ABOVE Indoor Vertical Separation ft (m)							
			25 (7.6)	26-50 (7.9-15.2)	51-75 (15.5-22.9)	76-100 (23.2-30.5)	101-125 (30.8-38.1)	126-150 (38.4-45.7)	151-175 (46.0-53.3)	176-200 (53.6-61.0)
18000 AC with Puron	3/8	1/4	175	250*	250*	250*	250*	250*	250*	250*
		5/16	250*	250*	250*	250*	250*	250*	250*	250*
		3/8	250*	250*	250*	250*	250*	250*	250*	250*
24000 AC with Puron	3/8	1/4	100	125	175	200	225*	250*	250*	250*
		5/16	250*	250*	250*	250*	250*	250*	250*	250*
		3/8	250*	250*	250*	250*	250*	250*	250*	250*
30000 AC with Puron	3/8	1/4	30	--	--	--	--	--	--	--
		5/16	250*	250*	250*	250*	250*	250*	250*	250*
		3/8	250*	250*	250*	250*	250*	250*	250*	250*
36000 AC with Puron	3/8	5/16	225*	250*	250*	250*	250*	250*	250*	250*
		3/8	250*	250*	250*	250*	250*	250*	250*	250*
42000 AC with Puron	3/8	5/16	175	200	250*	250*	250*	250*	250*	250*
		3/8	250*	250*	250*	250*	250*	250*	250*	250*
48000 AC with Puron	3/8	3/8	250*	250*	250*	250*	250*	250*	250*	250*
60000 AC with Puron	3/8	3/8	250*	250*	250*	250*	250*	250*	250*	250*

* Maximum actual length not to exceed 200 ft (61 m)

† Total equivalent length accounts for losses due to elbows or fitting. See the Long Line Guideline for details.

-- = outside acceptable range

24ABB4

REFRIGERANT CHARGE ADJUSTMENTS

Liquid Line Size	Puron Charge oz/ft
3/8	0.60 (Factory charge for lineset = 9 oz)
5/16	0.40
1/4	0.27

Units are factory charged for 15 ft (4.6 m) of 3/8" liquid line. The factory charge for 3/8" lineset 9 oz. When using other length or diameter liquid lines, charge adjustments are required per the chart above.

Charging Formula:

$[(\text{Lineset oz/ft} \times \text{total length}) - (\text{factory charge for lineset})] = \text{charge adjustment}$

Example 1: System has 15 ft of line set using existing 1/4" liquid line. What charge adjustment is required?

Formula: $(.27 \text{ oz/ft} \times 15\text{ft}) - (9 \text{ oz}) = (-4.95) \text{ oz.}$

Net result is to remove 4.95 oz of refrigerant from the system

Example 2: System has 45 ft of existing 5/16" liquid line. What is the charge adjustment?

Formula: $(.40 \text{ oz/ft.} \times 45\text{ft}) - (9 \text{ oz.}) = 9 \text{ oz.}$

Net result is to add 9 oz of refrigerant to the system

LONG LINE APPLICATIONS

An application is considered Long Line, when the refrigerant level in the system requires the use of accessories to maintain acceptable refrigerant management for systems reliability. See Accessory Usage Guideline table for required accessories. Defining a system as long line depends on the liquid line diameter, actual length of the tubing, and vertical separation between the indoor and outdoor units.

For Air Conditioner systems, the chart below shows when an application is considered Long Line.

AC WITH PURON® REFRIGERANT LONG LINE DESCRIPTION ft (m) Beyond these lengths, long line accessories are required

Liquid Line Size	Units On Same Level	Outdoor Below Indoor	Outdoor Above Indoor
1/4	No accessories needed within allowed lengths	No accessories needed within allowed lengths	175 (53.3)
5/16	120 (36.6)	50 (15.2)	120 (36.6)
3/8	80 (24.4)	35 (10.7)	80 (24.4)

Note: See Long Line Guideline for details

VAPOR LINE SIZING AND COOLING CAPACITY LOSS

Acceptable vapor line diameters provide adequate oil return to the compressor while avoiding excessive capacity loss. The suction line diameters shown in the chart below are acceptable for AC systems with Puron refrigerant:

Unit Nominal Size (Btuh)	Maximum Liquid Line Diameters (In. OD)	Vapor Line Diameters (In. OD)	Cooling Capacity Loss (%) Total Equivalent Line Length ft. (m)								
			26-50 (7.9-15.2)	51-80 (15.5-24.4)	81-100 (24.7-30.5)	101-125 (30.8-38.1)	126-150 (38.4-45.7)	151-175 (46.0-53.3)	176-200 (53.6-61.0)	201-225 (61.3-68.6)	226-250 (68.9-76.2)
18000 1 Stage AC with Puron	3/8	1/2	1	2	3	5	6	7	8	9	11
		5/8	0	1	1	1	2	2	2	3	3
		3/4	0	0	0	0	1	1	1	1	1
24000 1 Stage AC with Puron	3/8	5/8	0	1	2	2	3	3	4	5	5
		3/4	0	0	1	1	1	1	1	2	2
		7/8	0	0	0	0	0	1	1	1	1
30000 1 Stage AC with Puron	3/8	5/8	1	2	3	3	4	5	6	7	8
		3/4	0	0	1	1	1	2	2	2	3
		7/8	0	0	0	0	1	1	1	1	1
36000 1 Stage AC with Puron	3/8	5/8	1	2	4	5	6	8	9	10	12
		3/4	0	1	1	2	2	3	3	4	4
		7/8	0	0	0	1	1	1	1	2	2
42000 1 Stage AC with Puron	3/8	3/4	0	1	2	2	3	4	4	5	6
		7/8	0	0	1	1	1	2	2	2	3
		1 1/8	0	0	0	0	0	0	0	0	0
48000 1 Stage AC with Puron	3/8	3/4	0	1	2	3	4	5	5	6	7
		7/8	0	0	1	1	2	2	2	3	3
		1 1/8	0	0	0	0	0	0	0	1	1
60000 1 Stage AC with Puron	3/8	3/4	1	2	4	5	6	7	9	10	11
		7/8	0	1	2	2	3	4	4	5	5
		1 1/8	0	0	0	1	1	1	1	1	1

Applications in this area may be long line and may have height restrictions. See the *Residential Piping and Long Line Guideline*.

ACCESSORY THERMOSTATS

THERMOSTAT / SUBBASE PKG.	DESCRIPTION
TP-PRH01-A	Programmable Thermostat
TP-NRH01-A	Non-programmable Thermostat
TP-PAC01	Performance Series Programmable AC Stat
TP-NAC01	Performance Series Non-programmable AC Stat
TC-PAC01	Comfort Series Programmable AC Stat
TC-NAC01	Comfort Series Non-programmable AC Stat
TB-PAC01	Base Series Programmable AC Stat
TB-NAC01	Base Series Non-programmable AC Stat
TSTATCCSEN01-B	Outdoor Air Temperature Sensor
TSTATXXBBP01	Backplate for Builder's Thermostat
TSTATXXNBP01	Backplate for Non-Programmable Thermostat
TSTATXXBP01	Backplate for Programmable Thermostat
TSTATXXCNV10	Thermostat Conversion Kit (4 to 5 wires) - 10 Pack

ACCESSORIES

KIT NUMBER	DESCRIPTION	Size - Voltage & Series						
		18-30	24-30	30-30	36-30	42-30	48-30 49-30	60-31 61-30
KAFT0101AAA	FREEZE THERMOSTAT	X	X	X	X	X	X	X
KAATD0101TDR	TIME DELAY RELAY	X	X	X	X	X	X	X
KSALA0301410	LOW AMBIENT PSW	X	X	X	X	X	X	X
KSALA0601AAA†	MOTORMASTER 230V	X	X	X	X	X	X	X
HC32GE228	MOTOR FAN BALL BEARING	X	X	X				
HC34GE229	MOTOR FAN BALL BEARING				X	X	X	X
KSAHS1701AAA	HARD START (CAP / RELAY)	X	X	X	X	X	X	X
KSACY0101AAA	CYCLE PROTECTOR	X	X	X	X	X	X	X
KSASF0101AAA	SUPPORT FEET	X	X	X	X	X	X	X
KAACS0201PTC	START ASSIST PTC	X	X	X	X	X	X	X
KAALS0201LLS	LIQUID LINE SOLENOID	X	X	X	X	X	X	X
KAAWS0101AAA	WINTER START	X	X	X	X	X	X	X
KAACH1201AAA	CRANKCASE HTR					X	X	X
KAACH1401AAA	CRANKCASE HTR	X	X	X	X			
KSATX0201PUR	TXV PURON HSO	X	X	X				
KSATX0301PUR	TXV PURON HSO				X	X		
KSATX0401PUR	TXV PURON HSO						X	
KSATX0501PUR	TXV PURON HSO							X
KSASH0601COP	SOUND HOOD	X	X	X	X	X	X	
KSASH2101COP	SOUND HOOD							X
KAALP0401PUR	LOW PRESSURE SWITCH	X	X	X	X	X	X	X
KAHI0501PUR	HIGH PRESSURE SWITCH	X	X	X	X	X	X	X

† Required accessories include ball bearing fan motor, compressor start assist (CAP / Relay), crankcase heater, evaporator freeze stat, hard shut-off TXV.
X = Accessory

24ABB4

ACCESSORY USAGE GUIDELINE

ACCESSORY	REQUIRED FOR LOW-AMBI- ENT COOLING APPLICATIONS (Below 55°F/12.8°C)	REQUIRED FOR LONG LINE APPLICATIONS* (Over 80 ft./24.38 m)	REQUIRED FOR SEA COAST APPLICATIONS (Within 2 miles/3.22 km)
Ball Bearing Fan Motor	Yes†	No	No
Compressor Start Assist Capacitor and Relay	Yes	Yes	No
Crankcase Heater	Yes	Yes	No
Evaporator Freeze Thermostat	Yes	No	No
Hard Shut-Off TXV	Yes	Yes	Yes
Liquid Line Solenoid Valve	No	No	No
Motor Master® Control or Low-ambient Pressure Switch	Yes	No	No
Support Feet	Recommended	No	Recommended
Winter Start Control	Yes	No	No

* For tubing line sets between 80 and 200 ft. (24.38 and 60.96 m) and/or 20 ft. (6.09 m) vertical differential, refer to Residential Split-System Longline Application Guideline.

† Required for Low-Ambient Controller (full modulation feature) MotorMaster® Control.

Accessory Description and Usage (Listed Alphabetically)

1. Ball-Bearing Fan Motor

A fan motor with ball bearings which permits speed reduction while maintaining bearing lubrication.

Usage Guideline:

Required on all units when MotorMaster® is used.

2. Compressor Start Assist - Capacitor and Relay

Start capacitor and relay gives a "hard" boost to compressor motor at each start up.

Usage Guideline:

Required for reciprocating compressors in the following applications:

- Long line
- Low ambient cooling
- Hard shut off expansion valve on indoor coil
- Liquid line solenoid on indoor coil

Required for single-phase scroll compressors in the following applications:

- Long line
- Low ambient cooling

Suggested for all compressors in areas with a history of low voltage problems.

3. Compressor Start Assist — PTC Type

Solid state electrical device which gives a "soft" boost to the compressor at each start-up.

Usage Guideline:

Suggested in installations with marginal power supply.

4. Crankcase Heater

An electric resistance heater which mounts to the base of the compressor to keep the lubricant warm during off cycles. Improves compressor lubrication on restart and minimizes the chance of liquid slugging.

Usage Guideline:

- Required in low ambient cooling applications.
- Required in long line applications.
- Suggested in all commercial applications.

5. Cycle Protector

The cycle protector is designed to prevent compressor short cycling. This control provides an approximate 5-minute delay after power to the compressor has been interrupted for any reason, including power outage, protector control trip, thermostat jiggling, or normal cycling.

6. Evaporator Freeze Thermostat

An SPST temperature-actuated switch that stops unit operation when evaporator reaches freeze-up conditions.

Usage Guideline:

Required when low ambient kit has been added.

7. Low-Ambient Pressure Switch Kit

A long life pressure switch which is mounted to outdoor unit service valve. It is designed to cycle the outdoor fan motor in order to maintain head pressure within normal operating limits (approximately 100 psig to 225 psig). The control will maintain working head pressure at low-ambient temperatures down to 0°F (-18°C) when properly installed.

Usage Guideline:

A Low-Ambient Pressure Switch or MotorMaster® Low-Ambient Controller must be used when cooling operation is used at outdoor temperatures below 55°F (12.8°C).

8. MotorMaster® Low-Ambient Controller

A fan-speed control device activated by a temperature sensor, designed to control condenser fan motor speed in response to the saturated, condensing temperature during operation in cooling mode only. For outdoor temperatures down to -20°F (-28.9°C), it maintains condensing temperature at 100°F ±10°F (37.8°C ± 5.5°C).

Usage Guideline:

A MotorMaster® Low Ambient Controller or Low-Ambient Pressure Switch must be used when cooling operation is used at outdoor temperatures below 55°F (12.8°C).

Suggested for all commercial applications.

9. Outdoor Air Temperature Sensor

Designed for use with Carrier Thermostats listed in this publication. This device enables the thermostat to display the outdoor temperature. This device also is required to enable special thermostat features such as auxiliary heat lock out.

Usage Guideline:

Suggested for all Carrier thermostats listed in this publication.

Accessory Description and Usage (Listed Alphabetically) (Continued)

10. Sound Hood

Wraparound sound reducing cover for the compressor. Reduces the sound level by about 2 dBA.

Usage Guideline:

Suggested when unit is installed closer than 15 ft (4.57 m) to quiet areas, bedrooms, etc.

Suggested when unit is installed between two houses less than 10 ft (3.05 m) apart.

11. Support Feet

Four stick-on plastic feet that raise the unit 4 in. (101.6 mm) above the mounting pad. This allows sand, dirt, and other debris to be flushed from the unit base, minimizing corrosion.

Usage Guideline:

Suggested in the following applications:

Coastal installations.

Windy areas or where debris is normally circulating.

Rooftop installations.

For improved sound ratings.

12. Thermostatic Expansion Valve (TXV)

A modulating flow-control valve which meters refrigerant liquid flow rate into the evaporator in response to the superheat of the refrigerant gas leaving the evaporator.

Kit includes valve, adapter tubes, and external equalizer tube. Hard shut off types are available.

NOTE: When using a hard shut off TXV with single phase reciprocating compressors, a Compressor Start Assist Capacitor and Relay is required.

Usage Guideline:

Required to achieve ARI ratings in certain equipment combinations. Refer to combination ratings.

Hard shut off TXV or LLS required in air conditioner long line applications.

Required for use on all zoning systems.

13. Time-Delay Relay

An SPST delay relay which briefly continues operation of indoor blower motor to provide additional cooling after the compressor cycles off.

NOTE: Most indoor unit controls include this feature. For those that do not, use the guideline below.

Usage Guideline:

For improved efficiency ratings for certain combinations of indoor and outdoor units. Refer to ARI Unitary Directory.

14. Winter Start Control

This control is designed to alleviate nuisance opening of the low-pressure switch by bypassing it for the first 3 minutes of operation.

ELECTRICAL DATA

UNIT SIZE	V/PH	OPER VOLTS*		COMPR		FAN	MCA	MIN WIRE SIZE† 60° C	MIN WIRE SIZE† 75° C	MAX LENGTH ft. (m)‡ 60° C	MAX LENGTH ft. (m)‡ 75° C	MAX FUSE** or CKT BRK AMPS
		MAX	MIN	LRA	RLA	FLA						
18-30	208/230/1-60	253	197	48.0	9.0	0.5	11.7	14	14	67 (20.4)	64 (19.5)	15
24-30				58.3	13.5	0.5	17.3	14	14	46 (14.0)	43 (13.1)	30
30-30				73.0	14.1	0.5	18.1	14	14	44 (13.4)	41 (12.5)	30
36-30				79.0	16.7	1.2	22.0	12	12	57 (17.4)	54 (16.5)	35
42-30				112.0	17.9	1.2	23.6	10	10	85 (25.9)	81 (24.7)	40
48-30				117.0	21.8	1.2	28.4	10	10	70 (21.3)	67 (20.4)	40
49-30				109.0	19.9	1.2	26.1	10	10	77 (23.5)	73 (22.3)	40
60-31				134.0	26.4	1.2	34.2	8	10	91 (27.7)	56 (17.1)	50
61-30				135.0	21.4	1.2	28.0	8	8	111 (33.8)	106 (32.3)	40

* Permissible limits of the voltage range at which the unit will operate satisfactorily

† If wire is applied at ambient greater than 30°C, consult table 310-16 of the NEC (NFPA 70). The ampacity of non-metallic-sheathed cable (NM), trade name ROMEX, shall be that of 60°C conditions, per the NEC (NFPA 70) Article 336-26. If other than uncoated (no-plated), 60 or 75°C insulation, copper wire (solid wire for 10 AWG or smaller, stranded wire for larger than 10 AWG) is used, consult applicable tables of the NEC (NFPA 70).

‡ Length shown is as measured one way along wire path between unit and service panel for voltage drop not to exceed 2%.

** Time-Delay fuse.

FLA - Full Load Amps

LRA - Locked Rotor Amps

MCA - Minimum Circuit Amps

RLA - Rated Load Amps

NOTE: Control circuit is 24-V on all units and requires external power source. Copper wire must be used from service disconnect to unit.

All motors/compressors contain internal overload protection.

Complies with 2007 requirements of ASHRAE Standards 90.1

24ABB4

A-WEIGHTED SOUND POWER LEVEL (dBA)

UNIT SIZE - VOLTAGE, SERIES	STANDARD RATING (dBA)	TYPICAL OCTAVE BAND SPECTRUM (dBA, without tone adjustment)						
		125	250	500	1000	2000	4000	8000
18-30	76	56.0	60.0	65.0	72.0	65.0	60.5	53.5
24-30	76	50.5	61.5	68.0	67.5	64.0	60.0	53.5
30-30	76	52.0	62.5	71.0	69.0	65.0	62.0	59.5
36-30	76	52.0	60.0	65.5	69.5	64.0	63.0	56.0
42-30	77	55.0	62.0	66.0	70.5	65.5	60.0	54.0
48-30	78	51.5	62.0	67.5	73.5	69.0	64.5	62.0
49-30	78	57.5	61.5	66.0	70.5	65.5	59.5	53.5
60-31	78	57.0	62.5	69.0	73.0	66.0	62.0	57.5
61-30	78	55.0	62.5	67.5	70.5	65.0	61.0	53.5

NOTE: Tested in accordance with ARI Standard 270-08 (not listed in AHRI).

A-WEIGHTED SOUND POWER LEVEL (dBA) WITH SOUND SHIELD

UNIT SIZE - VOLTAGE, SERIES	STANDARD RATING (dBA)	TYPICAL OCTAVE BAND SPECTRUM (dBA, without tone adjustment)						
		125	250	500	1000	2000	4000	8000
18-30	74	56.0	60.0	65.0	69.0	63.0	60.0	52.5
24-30	74	51.5	61.0	67.5	66.5	63.0	59.0	51.5
30-30	74	53.0	62.0	68.5	68.0	64.5	61.0	56.0
36-30	75	52.0	62.0	65.5	67.5	63.0	61.0	53.5
42-30	74	55.0	61.5	65.0	68.5	65.0	59.0	52.0
48-30	76	53.0	61.5	67.5	72.0	68.0	61.5	59.0
49-30	76	58.5	61.5	66.0	69.0	64.0	58.5	51.0
60-31	75	57.0	62.5	68.5	71.0	65.0	60.5	58.5
61-30	75	56.5	62.5	66.5	68.0	63.0	59.5	51.5

NOTE: Tested in accordance with ARI Standard 270-08 (not listed in AHRI).

CHARGING SUBCOOLING (TXV-TYPE EXPANSION DEVICE)

UNIT SIZE - VOLTAGE, SERIES	REQUIRED SUBCOOLING °F (°C)
18-30	10 (5.6)
24-30	10 (5.6)
30-30	11 (6.1)
36-30	10 (5.6)
42-30	8 (4.4)
48-30	8 (4.4)
49-30	8 (4.4)
60-31	9 (5.0)
61-30	9 (5.0)

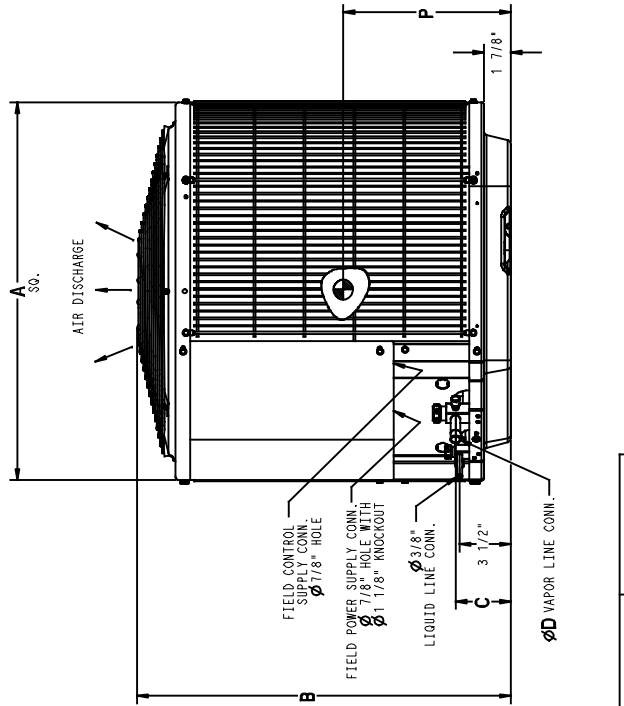
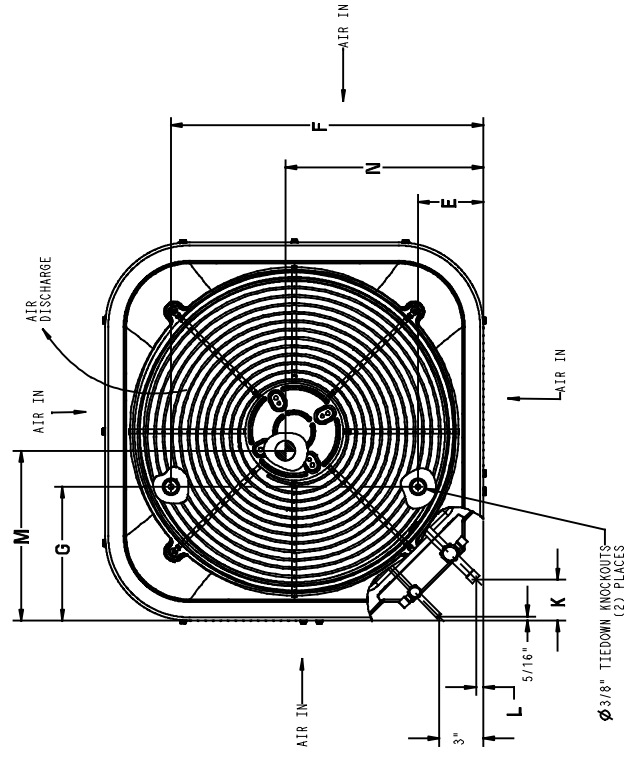
DIMENSIONS - ENGLISH

UNIT	SERIES	ELECTRICAL CHARACTERISTICS	A	B	C	D	E	F	G	K	L	M	N	P	OPERATING WEIGHT (lbs)	SHIPPING WEIGHT (lbs)	SHIPPING DIMENSIONS (L x W x H)																	
24ABB418	0	X	0	0	0	31	3/16"	35	3/4"	3	3/4"	5/8"	6	9/16"	24	11/16"	9	1/8"	2	13/16"	1/2"	16	1/4"	16"	16	5/8"	171	199	32	3/8" X 35	1/2" X 39	3/8"		
24ABB424	0	X	0	0	0	35	28	5/16"	3	3/4"	5/8"	6	9/16"	28	7/16"	28	7/16"	9	1/8"	2	13/16"	1/2"	17	1/2"	16	1/4"	13	7/8"	162	204	36	1/8" X 39	5/16" X 32	9/16"
24ABB430	0	X	0	0	0	35	28	5/16"	3	3/4"	3/4"	6	9/16"	28	7/16"	28	7/16"	9	1/8"	2	13/16"	1/2"	16	1/2"	16	1/4"	12	1/2"	163	206	36	1/8" X 39	5/16" X 32	9/16"
24ABB436	0	X	0	0	0	35	35	3/4"	3	3/4"	3/4"	6	9/16"	28	7/16"	28	7/16"	9	1/8"	2	13/16"	1/2"	18	1/4"	18	1/2"	17	1/2"	191	225	36	1/8" X 39	5/16" X 39	3/8"
24ABB442	0	X	0	0	0	35	39	1/8"	3	7/8"	7/8"	6	9/16"	28	7/16"	28	7/16"	9	1/8"	2	15/16"	5/8"	18	1/2"	16	1/4"	16	1/2"	225	263	36	1/8" X 39	5/16" X 42	3/4"
24ABB448	0	X	0	0	0	35	39	1/8"	3	7/8"	7/8"	6	9/16"	28	7/16"	28	7/16"	9	1/8"	2	15/16"	5/8"	17	1/2"	16	1/2"	15"	231	269	36	1/8" X 39	5/16" X 42	3/4"	
24ABB460	0, 1	X	0	0	0	35	39	1/8"	3	7/8"	7/8"	6	9/16"	28	7/16"	28	7/16"	9	1/8"	2	15/16"	5/8"	16	1/2"	17"	17"	16	1/4"	293	310	36	1/8" X 39	5/16" X 42	3/4"
24ABB461	0	X	0	0	0	35	45	15/16"	3	7/8"	7/8"	6	9/16"	28	7/16"	28	7/16"	9	1/8"	2	15/16"	5/8"	16	1/2"	17"	22"	22"	293	338	36	1/8" X 39	5/16" X 49	9/16"	
24ABB449	0	X	0	0	0	35	39	1/8"	3	7/8"	7/8"	6	9/16"	28	7/16"	28	7/16"	9	1/8"	2	15/16"	5/8"	17	1/2"	16	1/2"	15"	264	317	36	1/8" X 39	5/16" X 42	3/4"	

X = YES
0 = NO

460-3-60	208-230-160	230-160	208/230-3-60
----------	-------------	---------	--------------

- NOTES:
- ALLOW 30" CLEARANCE TO SERVICE SIDE OF UNIT, 48" ABOVE UNIT, 6" ON ONE SIDE, 12" ON REMAINING SIDE, AND 24" BETWEEN UNITS FOR PROPER AIRFLOW.
 - MINIMUM OUTDOOR OPERATING AMBIENT IN COOLING MODE IS 55°F, MAX. 125°F.
 - SERIES DESIGNATION IS THE 13TH POSITION OF THE UNIT MODEL NUMBER.
 - CENTER OF GRAVITY
 - ALL DIMENSIONS ARE IN "INCHES" UNLESS NOTED.



UNIT SIZE	MINIMUM MOUNTING PAD DIMENSIONS
-	26" X 26"
18	31 1/2" X 31 1/2"
24 THRU 60	35" X 35"


24ABB4

24ABB4

DIMENSIONS - SI

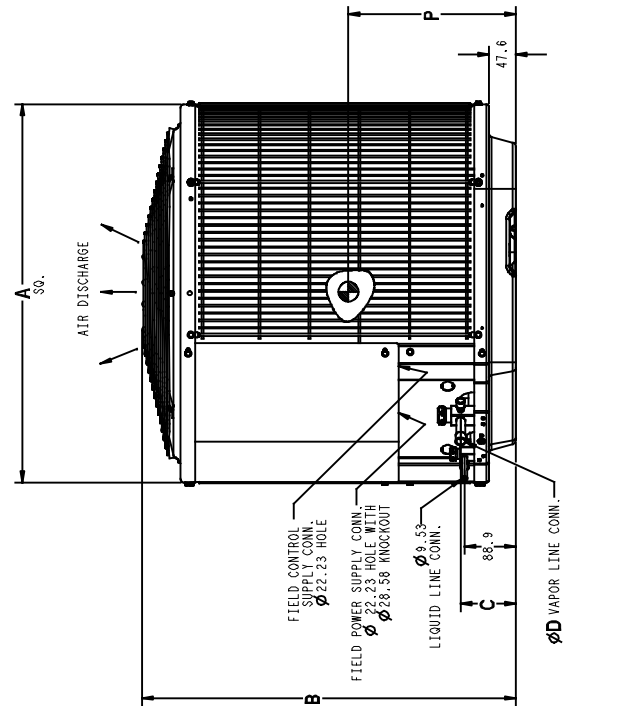
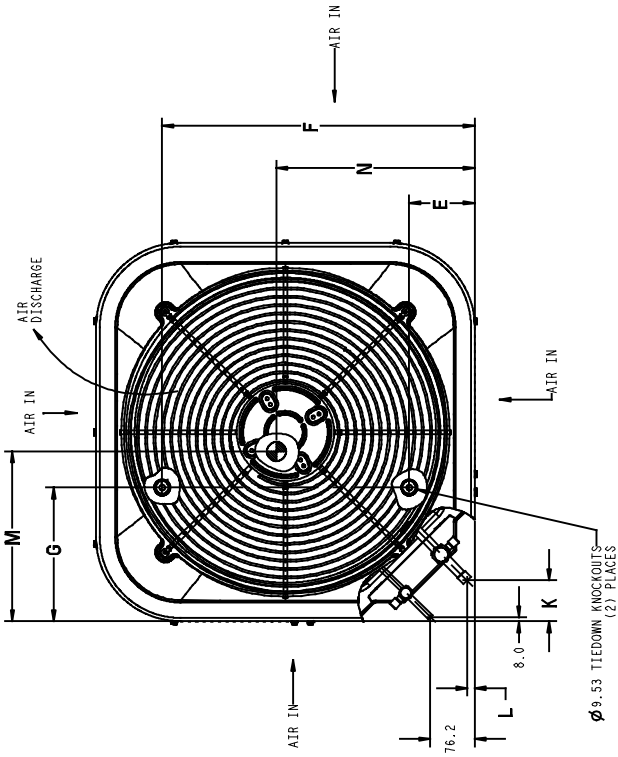
UNIT	SERIES	ELECTRICAL CHARACTERISTICS	A	B	C	D	E	F	G	K	L	M	N	P	OPERATING WEIGHT (KGS)	SHIPPING WEIGHT (KGS)	SHIPPING DIMENSIONS (L x W x H)
24ABB418	0	X 0 0 0	792.2	908.0	95.2	15.9	166.7	627.1	231.8	71.4	12.7	412.8	406.4	422.3	77.6	90.3	822.3 X 901.7 X 1000.1
24ABB424	0	X 0 0 0	889.0	719.2	95.2	15.9	166.7	722.3	231.8	71.4	12.7	444.5	412.8	352.4	73.5	92.5	911.6 X 998.6 X 827.1
24ABB430	0	X 0 0 0	889.0	719.2	95.2	19.0	166.7	722.3	231.8	71.4	12.7	419.1	412.8	317.5	73.9	93.4	917.6 X 998.6 X 827.1
24ABB436	0	X 0 0 0	889.0	908.0	95.2	19.0	166.7	722.3	231.8	71.4	12.7	463.6	469.9	444.5	86.6	102.0	917.6 X 998.6 X 1000.1
24ABB442	0	X 0 0 0	889.0	993.8	98.4	22.2	166.7	722.3	231.8	74.6	15.9	469.9	412.8	419.1	102.0	119.3	917.6 X 998.6 X 1085.8
24ABB448	0	X 0 0 0	889.0	993.8	98.4	22.2	166.7	722.3	231.8	74.6	15.9	444.5	419.1	381.0	104.8	122.0	917.6 X 998.6 X 1085.8
24ABB460	0, 1	X 0 0 0	889.0	993.8	98.4	22.2	166.7	722.3	231.8	74.6	15.9	419.1	431.8	412.8	123.4	140.1	917.6 X 998.6 X 1085.8
24ABB461	0	X 0 0 0	889.0	1166.8	98.4	22.2	166.7	722.3	231.8	74.6	15.9	419.1	431.8	558.8	132.9	153.3	917.6 X 998.6 X 1258.9
24ABB449	0	X 0 0 0	889.0	993.8	98.4	22.2	166.7	722.3	231.8	74.6	15.9	444.5	419.1	381.0	114.8	143.8	917.6 X 998.6 X 1085.8

NOTES:

1. ALLOW 762.0 CLEARANCE TO SERVICE SIDE OF UNIT, 1219.2 ABOVE UNIT, 1152.4 ON ONE SIDE, 504.8 ON REMAINING SIDE, AND 809.6 BETWEEN UNITS FOR PROPER AIRFLOW.
2. MINIMUM OUTDOOR OPERATING AMBIENT IN COOLING MODE IS 13°C, MAX. 52°C.
3. SERIES DESIGNATION IS THE 10TH POSITION OF THE UNIT MODEL NUMBER.
4. CENTER OF GRAVITY 
5. ALL DIMENSIONS ARE IN "MM" UNLESS NOTED.

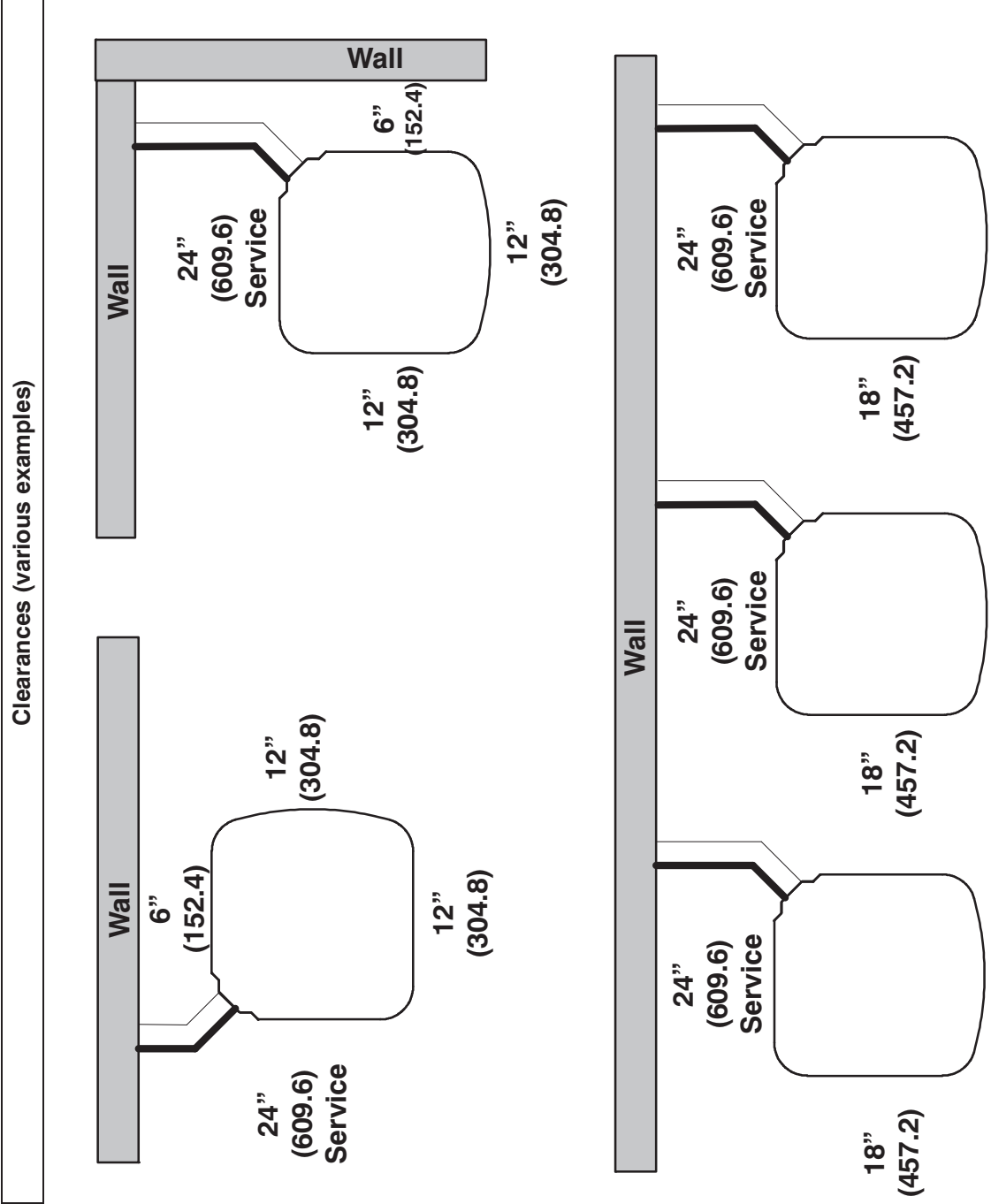
X = YES
O = NO

460-3-60
208/230-3-60
230-160
208-230-160



UNIT SIZE	MINIMUM MOUNTING PAD DIMENSIONS
-	660.4 X 660.4
18	800.1 X 800.1
24 THRU 60	889.0 X 889.0

CLEARANCES



Note: Numbers in () = mm

IMPORTANT: When installing multiple units in an alcove, roof well, or partially enclosed area, ensure there is adequate ventilation to prevent re-circulation of discharge air.

COMBINATION RATINGS

24ABB4

ARI Ref. No.	Model Number	Indoor Model	Furnace Model	Capacity	EER	SEER
3251321	24ABB418(A,W)30	†CAP**2414A**+TDR		18,000	11.5	14.0
3251331	24ABB418(A,W)30	CAP**1814A**	58CV(A,X)070-12	17,600	12.5	15.0
3251363	24ABB418(A,W)30	CAP**1814A**	58PH*045-08	17,900	12.5	15.0
3251330	24ABB418(A,W)30	CAP**1814A**+TDR		17,800	11.2	13.5
3251332	24ABB418(A,W)30	CAP**2414A**	58CV(A,X)070-12	17,900	13.0	15.0
3251364	24ABB418(A,W)30	CAP**2414A**	58PH*045-08	18,000	13.0	15.5
3251335	24ABB418(A,W)30	CAP**2417A**	58CV(A,X)090-16	17,900	13.0	15.0
3251322	24ABB418(A,W)30	CAP**2417A**	58MEB040-12	18,000	13.0	16.0
3251323	24ABB418(A,W)30	CAP**2417A**	58MEB060-12	18,000	13.0	16.0
3251334	24ABB418(A,W)30	CAP**2417A**	58MV(B,C)060-14	17,900	13.0	15.0
3251333	24ABB418(A,W)30	CAP**2417A**+TDR		18,000	11.5	14.0
3318841	24ABB418(A,W)30	CAP**3014A**	58CV(A,X)090-16	17,800	13.0	16.0
3315003	24ABB418(A,W)30	CAP**3014A**	58MEB040-12	17,800	13.0	16.0
3315004	24ABB418(A,W)30	CAP**3014A**	58MEB060-12	17,800	13.0	16.0
3318840	24ABB418(A,W)30	CAP**3014A**	58MV(B,C)060-14	17,800	13.0	16.0
3318842	24ABB418(A,W)30	CAP**3014A**	58PH*045-08	17,800	13.0	16.0
3318845	24ABB418(A,W)30	CAP**3017A**	58CV(A,X)070-12	17,800	13.0	16.0
3318846	24ABB418(A,W)30	CAP**3017A**	58CV(A,X)090-16	17,800	13.0	16.0
3315006	24ABB418(A,W)30	CAP**3017A**	58MEB040-12	17,800	13.0	16.0
3315007	24ABB418(A,W)30	CAP**3017A**	58MEB060-12	17,800	13.0	16.0
3318843	24ABB418(A,W)30	CAP**3017A**	58MV(B,C)060-14	17,800	13.0	16.0
3318844	24ABB418(A,W)30	CAP**3017A**	58MV(B,C)080-14	17,800	13.0	16.0
3315005	24ABB418(A,W)30	CAP**3017A**	58PH*045-08	17,800	13.0	16.0
3378975	24ABB418(A,W)30	CAP**3017A**	58VLR105-12	17,800	13.0	16.0
3378974	24ABB418(A,W)30	CAP**3017A**	58VMR105-12	17,800	13.0	16.0
3378977	24ABB418(A,W)30	CAP**3617A**	58VLR105-12	17,800	13.0	16.0
3378976	24ABB418(A,W)30	CAP**3617A**	58VMR105-12	17,800	13.0	16.0
3251349	24ABB418(A,W)30	CNPF*2418A**+TDR		18,000	11.5	14.0
3251347	24ABB418(A,W)30	CNPH*2417A**	58CV(A,X)070-12	17,900	13.0	15.0
3251348	24ABB418(A,W)30	CNPH*2417A**	58CV(A,X)090-16	17,900	13.0	15.0
3251326	24ABB418(A,W)30	CNPH*2417A**	58MEB040-12	18,000	13.0	16.0
3251327	24ABB418(A,W)30	CNPH*2417A**	58MEB060-12	18,000	13.0	15.5
3251344	24ABB418(A,W)30	CNPH*2417A**	58MV(B,C)040-14	17,900	13.0	15.0
3251345	24ABB418(A,W)30	CNPH*2417A**	58MV(B,C)060-14	17,900	13.0	15.0
3251346	24ABB418(A,W)30	CNPH*2417A**	58MV(B,C)080-14	17,900	13.0	15.0
3251367	24ABB418(A,W)30	CNPH*2417A**	58PH*045-08	18,000	13.0	15.5
3251343	24ABB418(A,W)30	CNPH*2417A**+TDR		18,000	11.5	14.0
3318858	24ABB418(A,W)30	CNPH*3017A**	58CV(A,X)070-12	17,800	13.0	16.0
3318859	24ABB418(A,W)30	CNPH*3017A**	58CV(A,X)090-16	17,800	13.0	16.0
3315014	24ABB418(A,W)30	CNPH*3017A**	58MEB040-12	17,800	13.0	16.0
3315015	24ABB418(A,W)30	CNPH*3017A**	58MEB060-12	17,800	13.0	16.0
3318856	24ABB418(A,W)30	CNPH*3017A**	58MV(B,C)060-14	17,800	13.0	16.0
3318857	24ABB418(A,W)30	CNPH*3017A**	58MV(B,C)080-14	17,800	13.0	16.0
3318855	24ABB418(A,W)30	CNPH*3017A**	58MVB040-14	17,800	13.0	16.0
3315013	24ABB418(A,W)30	CNPH*3017A**	58PH*045-08	17,800	13.0	16.0
3378983	24ABB418(A,W)30	CNPH*3017A**	58VLR105-12	17,800	13.0	16.0
3378982	24ABB418(A,W)30	CNPH*3017A**	58VMR105-12	17,800	13.0	16.0
3378985	24ABB418(A,W)30	CNPH*3617A**	58VLR105-12	17,800	13.0	16.0
3378984	24ABB418(A,W)30	CNPH*3617A**	58VMR105-12	17,800	13.0	16.0
3251337	24ABB418(A,W)30	CNPV*1814A**	58CV(A,X)070-12	17,600	12.5	15.0
3251365	24ABB418(A,W)30	CNPV*1814A**	58PH*045-08	17,900	12.5	15.0
3251336	24ABB418(A,W)30	CNPV*1814A**+TDR		17,800	11.2	13.5
3251339	24ABB418(A,W)30	CNPV*2414A**	58CV(A,X)070-12	17,900	13.0	15.0
3251366	24ABB418(A,W)30	CNPV*2414A**	58PH*045-08	18,000	13.0	15.5
3251338	24ABB418(A,W)30	CNPV*2414A**+TDR		18,000	11.5	14.0
3251342	24ABB418(A,W)30	CNPV*2417A**	58CV(A,X)090-16	17,900	13.0	15.0
3251324	24ABB418(A,W)30	CNPV*2417A**	58MEB040-12	18,000	13.0	16.0
3251325	24ABB418(A,W)30	CNPV*2417A**	58MEB060-12	18,000	13.0	15.5
3251341	24ABB418(A,W)30	CNPV*2417A**	58MV(B,C)060-14	17,900	13.0	15.0
3251340	24ABB418(A,W)30	CNPV*2417A**+TDR		18,000	11.5	14.0
3318848	24ABB418(A,W)30	CNPV*3014A**	58CV(A,X)070-12	17,800	13.0	16.0
3318849	24ABB418(A,W)30	CNPV*3014A**	58CV(A,X)090-16	17,800	13.0	16.0
3315008	24ABB418(A,W)30	CNPV*3014A**	58MEB040-12	17,800	13.0	16.0
3315009	24ABB418(A,W)30	CNPV*3014A**	58MEB060-12	17,800	13.0	16.0
3318847	24ABB418(A,W)30	CNPV*3014A**	58MV(B,C)060-14	17,800	13.0	16.0
3318850	24ABB418(A,W)30	CNPV*3014A**	58PH*045-08	17,800	13.0	16.0
3318853	24ABB418(A,W)30	CNPV*3017A**	58CV(A,X)070-12	17,800	13.0	16.0
3318854	24ABB418(A,W)30	CNPV*3017A**	58CV(A,X)090-16	17,800	13.0	16.0
3315011	24ABB418(A,W)30	CNPV*3017A**	58MEB040-12	17,800	13.0	16.0
3315012	24ABB418(A,W)30	CNPV*3017A**	58MEB060-12	17,800	13.0	16.0
3318851	24ABB418(A,W)30	CNPV*3017A**	58MV(B,C)060-14	17,800	13.0	16.0
3318852	24ABB418(A,W)30	CNPV*3017A**	58MV(B,C)080-14	17,800	13.0	16.0
3315010	24ABB418(A,W)30	CNPV*3017A**	58PH*045-08	17,800	13.0	16.0
3378979	24ABB418(A,W)30	CNPV*3017A**	58VLR105-12	17,800	13.0	16.0
3378978	24ABB418(A,W)30	CNPV*3017A**	58VMR105-12	17,800	13.0	16.0
3378981	24ABB418(A,W)30	CNPV*3617A**	58VLR105-12	17,800	13.0	16.0
3378980	24ABB418(A,W)30	CNPV*3617A**	58VMR105-12	17,800	13.0	16.0
3251354	24ABB418(A,W)30	CSPH*2412A**	58CV(A,X)070-12	17,900	13.0	15.0
3251355	24ABB418(A,W)30	CSPH*2412A**	58CV(A,X)090-16	17,900	13.0	15.0

See notes on page 31

COMBINATION RATINGS CONTINUED

ARI Ref. No.	Model Number	Indoor Model	Furnace Model	Capacity	EER	SEER
3251328	24ABB418(A,W)30	CSPH*2412A**	58MEB040-12	18,000	13.0	16.0
3251329	24ABB418(A,W)30	CSPH*2412A**	58MEB060-12	18,000	13.0	15.5
3251351	24ABB418(A,W)30	CSPH*2412A**	58MV(B,C)040-14	17,900	13.0	15.0
3251352	24ABB418(A,W)30	CSPH*2412A**	58MV(B,C)060-14	17,900	13.0	15.0
3251353	24ABB418(A,W)30	CSPH*2412A**	58MV(B,C)080-14	17,900	13.0	15.0
3251368	24ABB418(A,W)30	CSPH*2412A**	58PH*045-08	18,000	13.0	15.5
3251350	24ABB418(A,W)30	CSPH*2412A**+TDR		18,000	12.0	14.0
3318863	24ABB418(A,W)30	CSPH*3012A**	58CV(A,X)070-12	17,800	13.0	16.0
3318864	24ABB418(A,W)30	CSPH*3012A**	58CV(A,X)090-16	17,800	13.0	16.0
3315016	24ABB418(A,W)30	CSPH*3012A**	58MEB040-12	17,800	13.0	16.0
3315017	24ABB418(A,W)30	CSPH*3012A**	58MEB060-12	17,800	13.0	16.0
3318861	24ABB418(A,W)30	CSPH*3012A**	58MV(B,C)060-14	17,800	13.0	16.0
3318862	24ABB418(A,W)30	CSPH*3012A**	58MV(B,C)080-14	17,800	13.0	16.0
3318860	24ABB418(A,W)30	CSPH*3012A**	58MV(B,C)040-14	17,800	13.0	16.0
3318865	24ABB418(A,W)30	CSPH*3012A**	58PH*045-08	17,800	13.0	16.0
3378987	24ABB418(A,W)30	CSPH*3012A**	58VLR105-12	17,800	13.0	16.0
3378986	24ABB418(A,W)30	CSPH*3012A**	58VMR105-12	17,800	13.0	16.0
3378989	24ABB418(A,W)30	CSPH*3612A**	58VLR105-12	17,800	13.0	16.0
3378988	24ABB418(A,W)30	CSPH*3612A**	58VMR105-12	17,800	13.0	16.0
3251360	24ABB418(A,W)30	FF1ENP018		17,800	11.2	13.5
3457537	24ABB418(A,W)30	FF1ENP019		18,000	12.5	15.0
3251361	24ABB418(A,W)30	FF1ENP024		18,000	12.0	14.0
3457538	24ABB418(A,W)30	FF1ENP025		18,000	13.0	15.5
3251362	24ABB418(A,W)30	FV4BNF002		18,200	13.2	16.0
3404584	24ABB418(A,W)30	FV4CNF002		18,200	13.2	16.0
3251358	24ABB418(A,W)30	FX4CNF018		18,000	13.0	15.0
3251359	24ABB418(A,W)30	FX4CNF024		18,300	13.0	15.0
3251356	24ABB418(A,W)30	FY4ANF018		17,800	11.2	13.5
3251357	24ABB418(A,W)30	FY4ANF024		17,900	11.2	13.5
3251369	24ABB424(A,W)30	†CAP**2414A**+TDR		23,200	11.7	14.0
3251394	24ABB424(A,W)30	CAP**2414A**	58CV(A,X)070-12	23,000	13.0	15.0
3251473	24ABB424(A,W)30	CAP**2414A**	58PH*045-08	23,200	13.0	15.5
3251397	24ABB424(A,W)30	CAP**2417A**	58CV(A,X)090-16	23,000	13.0	16.0
3251370	24ABB424(A,W)30	CAP**2417A**	58MEB040-12	23,200	13.0	16.0
3251371	24ABB424(A,W)30	CAP**2417A**	58MEB060-12	23,200	13.0	16.0
3251372	24ABB424(A,W)30	CAP**2417A**	58MEB080-12	23,200	13.0	16.0
3251396	24ABB424(A,W)30	CAP**2417A**	58MV(B,C)060-14	23,000	13.0	16.0
3251395	24ABB424(A,W)30	CAP**2417A**+TDR		23,200	11.7	14.0
3251399	24ABB424(A,W)30	CAP**3014A**	58CV(A,X)070-12	23,200	13.0	16.0
3251474	24ABB424(A,W)30	CAP**3014A**	58PH*045-08	23,000	13.0	16.0
3378991	24ABB424(A,W)30	CAP**3014A**	58VLR105-12	23,200	13.0	16.0
3378990	24ABB424(A,W)30	CAP**3014A**	58VMR105-12	23,200	13.0	16.0
3251398	24ABB424(A,W)30	CAP**3014A**+TDR		23,400	12.0	14.0
3251402	24ABB424(A,W)30	CAP**3017A**	58CV(A,X)090-16	23,200	13.2	16.0
3251373	24ABB424(A,W)30	CAP**3017A**	58MEB040-12	23,200	13.0	16.0
3251374	24ABB424(A,W)30	CAP**3017A**	58MEB060-12	23,200	13.0	16.0
3251375	24ABB424(A,W)30	CAP**3017A**	58MEB080-12	23,200	13.0	16.0
3251401	24ABB424(A,W)30	CAP**3017A**	58MV(B,C)060-14	23,200	13.0	16.0
3378993	24ABB424(A,W)30	CAP**3017A**	58VLR105-12	23,200	13.0	16.0
3378992	24ABB424(A,W)30	CAP**3017A**	58VMR105-12	23,200	13.0	16.0
3251400	24ABB424(A,W)30	CAP**3017A**+TDR		23,400	12.0	14.0
3378995	24ABB424(A,W)30	CAP**3614A**	58VLR105-12	23,200	13.0	16.0
3378994	24ABB424(A,W)30	CAP**3614A**	58VMR105-12	23,200	13.0	16.0
3319354	24ABB424(A,W)30	CAP**3617A**	58MEB060-12	23,200	13.0	16.0
3378997	24ABB424(A,W)30	CAP**3617A**	58VLR105-12	23,200	13.0	16.0
3378996	24ABB424(A,W)30	CAP**3617A**	58VMR105-12	23,200	13.0	16.0
3379105	24ABB424(A,W)30	CAP**3619A**	58HDV040--12	23,200	13.0	16.0
3379106	24ABB424(A,W)30	CAP**3619A**	58HDV060--12	23,200	13.0	16.0
3319355	24ABB424(A,W)30	CAP**3621A**	58MEB040-12	23,200	13.0	16.0
3319356	24ABB424(A,W)30	CAP**3621A**	58MEB060-12	23,200	13.0	16.0
3319357	24ABB424(A,W)30	CAP**3621A**	58MEB080-12	23,200	13.0	16.0
3378999	24ABB424(A,W)30	CAP**3621A**	58VLR105-12	23,200	13.0	16.0
3378998	24ABB424(A,W)30	CAP**3621A**	58VMR105-12	23,200	13.0	16.0
3251437	24ABB424(A,W)30	CNPF*2418A**+TDR		23,200	11.7	14.0
3251420	24ABB424(A,W)30	CNPH*2417A**	58CV(A,X)070-12	22,800	13.0	15.0
3251421	24ABB424(A,W)30	CNPH*2417A**	58CV(A,X)090-16	23,000	13.0	15.0
3251422	24ABB424(A,W)30	CNPH*2417A**	58CV(A,X)110-20	23,000	13.0	15.0
3251423	24ABB424(A,W)30	CNPH*2417A**	58CV(A,X)135-22	23,000	13.0	15.0
3251424	24ABB424(A,W)30	CNPH*2417A**	58CV(A,X)155-22	23,000	13.0	15.0
3251382	24ABB424(A,W)30	CNPH*2417A**	58MEB040-12	23,200	13.0	15.5
3251383	24ABB424(A,W)30	CNPH*2417A**	58MEB060-12	23,200	13.0	15.5
3251384	24ABB424(A,W)30	CNPH*2417A**	58MEB080-12	23,200	13.0	15.5
3251414	24ABB424(A,W)30	CNPH*2417A**	58MV(B,C)040-14	23,000	13.0	15.0
3251415	24ABB424(A,W)30	CNPH*2417A**	58MV(B,C)060-14	23,000	13.0	15.0
3251416	24ABB424(A,W)30	CNPH*2417A**	58MV(B,C)080-14	23,000	13.0	15.0
3251417	24ABB424(A,W)30	CNPH*2417A**	58MV(B,C)080-20	22,800	12.5	15.0
3251418	24ABB424(A,W)30	CNPH*2417A**	58MV(B,C)100-20	23,000	13.0	15.0
3251419	24ABB424(A,W)30	CNPH*2417A**	58MV(B,C)120-20	22,800	12.5	15.0

See notes on page 31

24ABB4

COMBINATION RATINGS CONTINUED

ARI Ref. No.	Model Number	Indoor Model	Furnace Model	Capacity	EER	SEER
3251477	24ABB424(A,W)30	CNPH*2417A**	58PH*045-08	23,000	12.5	15.5
3251413	24ABB424(A,W)30	CNPH*2417A**+TDR		23,200	11.7	14.0
3251432	24ABB424(A,W)30	CNPH*3017A**	58CV(A,X)070-12	23,200	13.0	16.0
3251433	24ABB424(A,W)30	CNPH*3017A**	58CV(A,X)090-16	23,200	13.2	16.0
3251434	24ABB424(A,W)30	CNPH*3017A**	58CV(A,X)110-20	23,200	13.0	16.0
3251435	24ABB424(A,W)30	CNPH*3017A**	58CV(A,X)135-22	23,400	13.0	16.0
3251436	24ABB424(A,W)30	CNPH*3017A**	58CV(A,X)155-22	23,400	13.2	16.0
3251385	24ABB424(A,W)30	CNPH*3017A**	58MEB040-12	23,200	13.0	16.0
3251386	24ABB424(A,W)30	CNPH*3017A**	58MEB060-12	23,200	13.0	16.0
3251387	24ABB424(A,W)30	CNPH*3017A**	58MEB080-12	23,200	13.0	16.0
3251426	24ABB424(A,W)30	CNPH*3017A**	58MV(B,C)040-14	23,200	13.0	16.0
3251427	24ABB424(A,W)30	CNPH*3017A**	58MV(B,C)060-14	23,200	13.0	16.0
3251428	24ABB424(A,W)30	CNPH*3017A**	58MV(B,C)080-14	23,200	13.0	16.0
3251429	24ABB424(A,W)30	CNPH*3017A**	58MV(B,C)080-20	23,000	13.0	16.0
3251430	24ABB424(A,W)30	CNPH*3017A**	58MV(B,C)100-20	23,200	13.0	16.0
3251431	24ABB424(A,W)30	CNPH*3017A**	58MV(B,C)120-20	23,200	13.0	16.0
3251478	24ABB424(A,W)30	CNPH*3017A**	58PH*045-08	23,400	13.0	16.0
3379009	24ABB424(A,W)30	CNPH*3017A**	58VLR105-12	23,200	13.0	16.0
3379008	24ABB424(A,W)30	CNPH*3017A**	58VMR105-12	23,200	13.0	16.0
3251425	24ABB424(A,W)30	CNPH*3017A**+TDR		23,400	12.0	14.0
3379011	24ABB424(A,W)30	CNPH*3617A**	58VLR105-12	23,200	13.0	16.0
3379010	24ABB424(A,W)30	CNPH*3617A**	58VMR105-12	23,200	13.0	16.0
3251404	24ABB424(A,W)30	CNPV*2414A**	58CV(A,X)070-12	22,800	13.0	15.0
3251475	24ABB424(A,W)30	CNPV*2414A**	58PH*045-08	23,000	12.5	15.5
3251403	24ABB424(A,W)30	CNPV*2414A**+TDR		23,200	11.7	14.0
3251407	24ABB424(A,W)30	CNPV*2417A**	58CV(A,X)090-16	23,000	13.0	15.0
3251376	24ABB424(A,W)30	CNPV*2417A**	58MEB040-12	23,200	13.0	15.5
3251377	24ABB424(A,W)30	CNPV*2417A**	58MEB060-12	23,200	13.0	15.5
3251378	24ABB424(A,W)30	CNPV*2417A**	58MEB080-12	23,200	13.0	15.5
3251406	24ABB424(A,W)30	CNPV*2417A**	58MV(B,C)060-14	23,000	13.0	15.0
3251405	24ABB424(A,W)30	CNPV*2417A**+TDR		23,200	11.7	14.0
3251409	24ABB424(A,W)30	CNPV*3014A**	58CV(A,X)070-12	23,200	13.0	15.0
3251476	24ABB424(A,W)30	CNPV*3014A**	58PH*045-08	23,400	13.0	15.5
3379001	24ABB424(A,W)30	CNPV*3014A**	58VLR105-12	23,200	13.0	16.0
3379000	24ABB424(A,W)30	CNPV*3014A**	58VMR105-12	23,200	13.0	16.0
3251408	24ABB424(A,W)30	CNPV*3014A**+TDR		23,400	12.0	14.0
3251412	24ABB424(A,W)30	CNPV*3017A**	58CV(A,X)090-16	23,200	13.2	16.0
3251379	24ABB424(A,W)30	CNPV*3017A**	58MEB040-12	23,200	13.0	16.0
3251380	24ABB424(A,W)30	CNPV*3017A**	58MEB060-12	23,200	13.0	16.0
3251381	24ABB424(A,W)30	CNPV*3017A**	58MEB080-12	23,200	13.0	16.0
3251411	24ABB424(A,W)30	CNPV*3017A**	58MV(B,C)060-14	23,200	13.0	16.0
3379003	24ABB424(A,W)30	CNPV*3017A**	58VLR105-12	23,200	13.0	16.0
3379002	24ABB424(A,W)30	CNPV*3017A**	58VMR105-12	23,200	13.0	16.0
3251410	24ABB424(A,W)30	CNPV*3017A**+TDR		23,400	12.0	14.0
3379005	24ABB424(A,W)30	CNPV*3617A**	58VLR105-12	23,200	13.0	16.0
3379004	24ABB424(A,W)30	CNPV*3617A**	58VMR105-12	23,200	13.0	16.0
3379007	24ABB424(A,W)30	CNPV*3621A**	58VLR105-12	23,200	13.0	16.0
3379006	24ABB424(A,W)30	CNPV*3621A**	58VMR105-12	23,200	13.0	16.0
3251445	24ABB424(A,W)30	CSPH*2412A**	58CV(A,X)070-12	23,000	13.0	15.0
3251446	24ABB424(A,W)30	CSPH*2412A**	58CV(A,X)090-16	23,000	13.0	16.0
3251447	24ABB424(A,W)30	CSPH*2412A**	58CV(A,X)110-20	23,200	13.0	15.0
3251448	24ABB424(A,W)30	CSPH*2412A**	58CV(A,X)135-22	23,200	13.0	15.0
3251449	24ABB424(A,W)30	CSPH*2412A**	58CV(A,X)155-22	23,200	13.0	15.0
3251388	24ABB424(A,W)30	CSPH*2412A**	58MEB040-12	23,200	13.0	16.0
3251389	24ABB424(A,W)30	CSPH*2412A**	58MEB060-12	23,200	13.0	16.0
3251390	24ABB424(A,W)30	CSPH*2412A**	58MEB080-12	23,200	13.0	16.0
3251439	24ABB424(A,W)30	CSPH*2412A**	58MV(B,C)040-14	23,200	13.0	15.0
3251440	24ABB424(A,W)30	CSPH*2412A**	58MV(B,C)060-14	23,000	13.0	16.0
3251441	24ABB424(A,W)30	CSPH*2412A**	58MV(B,C)080-14	23,200	13.0	15.0
3251442	24ABB424(A,W)30	CSPH*2412A**	58MV(B,C)080-20	23,000	13.0	15.0
3251443	24ABB424(A,W)30	CSPH*2412A**	58MV(B,C)100-20	23,200	13.0	16.0
3251444	24ABB424(A,W)30	CSPH*2412A**	58MV(B,C)120-20	23,200	13.0	15.0
3251479	24ABB424(A,W)30	CSPH*2412A**	58PH*045-08	23,000	12.5	15.5
3251438	24ABB424(A,W)30	CSPH*2412A**+TDR		23,200	11.7	14.0
3251457	24ABB424(A,W)30	CSPH*3012A**	58CV(A,X)070-12	23,200	13.0	15.0
3251458	24ABB424(A,W)30	CSPH*3012A**	58CV(A,X)090-16	23,200	13.2	16.0
3251459	24ABB424(A,W)30	CSPH*3012A**	58CV(A,X)110-20	23,400	13.0	16.0
3251460	24ABB424(A,W)30	CSPH*3012A**	58CV(A,X)135-22	23,400	13.0	16.0
3251461	24ABB424(A,W)30	CSPH*3012A**	58CV(A,X)155-22	23,400	13.0	16.0
3251391	24ABB424(A,W)30	CSPH*3012A**	58MEB040-12	23,200	13.0	16.0
3251392	24ABB424(A,W)30	CSPH*3012A**	58MEB060-12	23,200	13.0	16.0
3251393	24ABB424(A,W)30	CSPH*3012A**	58MEB080-12	23,200	13.0	16.0
3251451	24ABB424(A,W)30	CSPH*3012A**	58MV(B,C)040-14	23,400	13.0	16.0
3251452	24ABB424(A,W)30	CSPH*3012A**	58MV(B,C)060-14	23,200	13.0	16.0
3251453	24ABB424(A,W)30	CSPH*3012A**	58MV(B,C)080-14	23,200	13.0	16.0
3251454	24ABB424(A,W)30	CSPH*3012A**	58MV(B,C)080-20	23,000	13.0	16.0
3251455	24ABB424(A,W)30	CSPH*3012A**	58MV(B,C)100-20	23,400	13.0	16.0
3251456	24ABB424(A,W)30	CSPH*3012A**	58MV(B,C)120-20	23,200	13.0	16.0
3251480	24ABB424(A,W)30	CSPH*3012A**	58PH*045-08	23,400	13.0	16.0

See notes on page 31

COMBINATION RATINGS CONTINUED

ARI Ref. No.	Model Number	Indoor Model	Furnace Model	Capacity	EER	SEER
3379013	24ABB424(A,W)30	CSPH*3012A**	58VLR105-12	23,200	13.0	16.0
3379012	24ABB424(A,W)30	CSPH*3012A**	58VMR105-12	23,200	13.0	16.0
3251450	24ABB424(A,W)30	CSPH*3012A**+TDR		23,400	12.0	14.0
3319358	24ABB424(A,W)30	CSPH*3612A**	58MEB040-12	23,200	13.0	16.0
3319359	24ABB424(A,W)30	CSPH*3612A**	58MEB060-12	23,200	13.0	16.0
3319360	24ABB424(A,W)30	CSPH*3612A**	58MEB080-12	23,200	13.0	16.0
3379015	24ABB424(A,W)30	CSPH*3612A**	58VLR105-12	23,200	13.0	16.0
3379014	24ABB424(A,W)30	CSPH*3612A**	58VMR105-12	23,200	13.0	16.0
3251467	24ABB424(A,W)30	FE4AN(B,F)003+UI		23,600	13.2	16.0
3251466	24ABB424(A,W)30	FE4ANF002+UI		23,400	13.2	16.0
3251468	24ABB424(A,W)30	FE5ANB004+UI		24,200	13.2	16.0
3251471	24ABB424(A,W)30	FF1ENP024		22,800	12.0	14.0
3457539	24ABB424(A,W)30	FF1ENP025		23,400	12.5	15.0
3251472	24ABB424(A,W)30	FF1ENP030		23,000	11.7	13.5
3457540	24ABB424(A,W)30	FF1ENP031		23,600	12.5	15.0
3251470	24ABB424(A,W)30	FV4BN(B,F)003		23,600	13.2	16.0
3251469	24ABB424(A,W)30	FV4BNF002		23,400	13.2	16.0
3404586	24ABB424(A,W)30	FV4CN(B,F)003		23,600	13.2	16.0
3404585	24ABB424(A,W)30	FV4CNF002		23,400	13.2	16.0
3251464	24ABB424(A,W)30	FX4CNF024		23,400	12.5	15.0
3251465	24ABB424(A,W)30	FX4CNF030		23,600	13.0	15.0
3251462	24ABB424(A,W)30	FY4ANF024		23,000	11.4	14.0
3251463	24ABB424(A,W)30	FY4ANF030		23,200	12.0	14.0
3251481	24ABB430(A,W)30	†CAP**3014A**+TDR		29,000	11.7	14.0
3251514	24ABB430(A,W)30	CAP**3014A**	58CV(A,X)070-12	28,800	12.5	15.0
3251517	24ABB430(A,W)30	CAP**3017A**	58CV(A,X)090-16	28,800	12.5	15.0
3251482	24ABB430(A,W)30	CAP**3017A**	58MEB040-12	29,000	13.0	15.5
3251483	24ABB430(A,W)30	CAP**3017A**	58MEB060-12	29,000	13.0	15.5
3251484	24ABB430(A,W)30	CAP**3017A**	58MEB080-12	29,000	13.0	15.5
3251485	24ABB430(A,W)30	CAP**3017A**	58MEB080-16	29,000	12.7	15.5
3251516	24ABB430(A,W)30	CAP**3017A**	58MV(B,C)060-14	28,800	12.5	15.0
3251603	24ABB430(A,W)30	CAP**3017A**	58PH*070-16	29,000	12.5	15.0
3251515	24ABB430(A,W)30	CAP**3017A**+TDR		29,000	11.7	14.0
3251519	24ABB430(A,W)30	CAP**3614A**	58CV(A,X)070-12	28,800	12.5	15.0
3251518	24ABB430(A,W)30	CAP**3614A**+TDR		28,200	11.7	14.0
3251522	24ABB430(A,W)30	CAP**3617A**	58CV(A,X)090-16	29,000	13.0	15.0
3251486	24ABB430(A,W)30	CAP**3617A**	58MEB040-12	29,000	13.0	15.5
3251487	24ABB430(A,W)30	CAP**3617A**	58MEB060-12	29,000	13.0	15.5
3251488	24ABB430(A,W)30	CAP**3617A**	58MEB080-12	29,000	13.0	15.5
3251489	24ABB430(A,W)30	CAP**3617A**	58MEB080-16	29,000	13.0	15.5
3251521	24ABB430(A,W)30	CAP**3617A**	58MV(B,C)060-14	28,800	12.5	15.0
3251604	24ABB430(A,W)30	CAP**3617A**	58PH*070-16	29,200	12.5	15.0
3251520	24ABB430(A,W)30	CAP**3617A**+TDR		29,200	11.7	14.0
3379107	24ABB430(A,W)30	CAP**3619A**	58HDV040--12	28,800	12.3	14.8
3379108	24ABB430(A,W)30	CAP**3619A**	58HDV060--12	29,000	12.5	15.0
3379109	24ABB430(A,W)30	CAP**3619A**	58HDV080--20	29,000	12.5	15.5
3251527	24ABB430(A,W)30	CAP**3621A**	58CV(A,X)110-20	29,000	13.0	15.0
3251524	24ABB430(A,W)30	CAP**3621A**	58MV(B,C)080-14	28,800	12.5	15.0
3251525	24ABB430(A,W)30	CAP**3621A**	58MV(B,C)080-20	29,000	12.5	15.0
3251526	24ABB430(A,W)30	CAP**3621A**	58MV(B,C)100-20	28,800	12.5	15.0
3251605	24ABB430(A,W)30	CAP**3621A**	58PH*090-16	29,400	13.0	15.5
3251523	24ABB430(A,W)30	CAP**3621A**+TDR		29,200	11.7	14.0
3319605	24ABB430(A,W)30	CAP**4221A**	58CV(A,X)090-16	29,000	13.0	16.0
3319606	24ABB430(A,W)30	CAP**4221A**	58CV(A,X)110-20	29,000	13.0	16.0
3319607	24ABB430(A,W)30	CAP**4221A**	58CV(A,X)135-22	29,000	13.0	16.0
3319608	24ABB430(A,W)30	CAP**4221A**	58CV(A,X)155-22	29,000	13.0	16.0
3319609	24ABB430(A,W)30	CAP**4221A**	58MEB040-12	29,000	13.0	16.0
3315059	24ABB430(A,W)30	CAP**4221A**	58MEB060-12	29,000	13.0	16.0
3315060	24ABB430(A,W)30	CAP**4221A**	58MEB080-12	29,000	13.0	16.0
3319603	24ABB430(A,W)30	CAP**4221A**	58MV(B,C)060-14	29,000	13.0	16.0
3319604	24ABB430(A,W)30	CAP**4221A**	58MV(B,C)120-20	29,000	13.0	16.0
3379017	24ABB430(A,W)30	CAP**4221A**	58VLR105-12	29,000	12.5	15.5
3379016	24ABB430(A,W)30	CAP**4221A**	58VMR105-12	28,800	12.5	15.5
3319611	24ABB430(A,W)30	CAP**4224A**	58CV(A,X)110-20	29,000	13.0	16.0
3319610	24ABB430(A,W)30	CAP**4224A**	58MV(B,C)120-20	29,000	13.0	16.0
3379019	24ABB430(A,W)30	CAP**4224A**	58VLR120-20	29,000	13.0	16.0
3379018	24ABB430(A,W)30	CAP**4224A**	58VMR120-20	29,000	12.5	15.5
3315072	24ABB430(A,W)30	CAP**4817A**	58CV(A,X)090-16	29,000	13.0	16.0
3315073	24ABB430(A,W)30	CAP**4817A**	58CV(A,X)110-20	29,000	13.0	16.0
3315075	24ABB430(A,W)30	CAP**4817A**	58MEB040-12	29,000	13.0	16.0
3315076	24ABB430(A,W)30	CAP**4817A**	58MEB060-12	29,000	13.0	16.0
3315077	24ABB430(A,W)30	CAP**4817A**	58MEB080-12	29,000	13.0	16.0
3315078	24ABB430(A,W)30	CAP**4817A**	58MEB080-16	29,000	13.0	16.0
3315071	24ABB430(A,W)30	CAP**4817A**	58MV(B,C)060-14	29,000	13.0	16.0
3319623	24ABB430(A,W)30	CAP**4817A**	58MV(B,C)080-14	29,000	13.0	16.0
3319624	24ABB430(A,W)30	CAP**4817A**	58MV(B,C)080-20	29,000	13.0	16.0
3319625	24ABB430(A,W)30	CAP**4817A**	58MV(B,C)100-20	29,000	13.0	16.0
3315074	24ABB430(A,W)30	CAP**4817A**	58PH*090-16	29,000	13.0	16.0

24ABB4

See notes on page 31

COMBINATION RATINGS CONTINUED

24ABB4

ARI Ref. No.	Model Number	Indoor Model	Furnace Model	Capacity	EER	SEER
3379021	24ABB430(A,W)30	CAP**4817A**	58VLR105-12	29,000	13.0	16.0
3379023	24ABB430(A,W)30	CAP**4817A**	58VLR120-20	29,000	13.0	16.0
3379020	24ABB430(A,W)30	CAP**4817A**	58VMR105-12	29,000	13.0	16.0
3379022	24ABB430(A,W)30	CAP**4817A**	58VMR120-20	29,000	12.5	15.5
3315023	24ABB430(A,W)30	CAP**4821A**	58CV(A,X)090-16	29,000	13.0	16.0
3315024	24ABB430(A,W)30	CAP**4821A**	58CV(A,X)110-20	29,000	13.0	16.0
3315026	24ABB430(A,W)30	CAP**4821A**	58MEB040-12	29,000	13.0	16.0
3315027	24ABB430(A,W)30	CAP**4821A**	58MEB060-12	29,000	13.0	16.0
3315028	24ABB430(A,W)30	CAP**4821A**	58MEB080-12	29,000	13.0	16.0
3319590	24ABB430(A,W)30	CAP**4821A**	58MEB080-16	29,000	13.0	16.0
3315021	24ABB430(A,W)30	CAP**4821A**	58MV(B,C)060-14	29,000	13.0	16.0
3319588	24ABB430(A,W)30	CAP**4821A**	58MV(B,C)080-14	29,000	13.0	16.0
3315022	24ABB430(A,W)30	CAP**4821A**	58MV(B,C)080-20	29,000	13.0	16.0
3319589	24ABB430(A,W)30	CAP**4821A**	58MV(B,C)100-20	29,000	13.0	16.0
3315025	24ABB430(A,W)30	CAP**4821A**	58PH*090-16	29,000	13.0	16.0
3379025	24ABB430(A,W)30	CAP**4821A**	58VLR105-12	29,000	12.5	15.5
3379027	24ABB430(A,W)30	CAP**4821A**	58VLR120-20	29,000	13.0	16.0
3379024	24ABB430(A,W)30	CAP**4821A**	58VMR105-12	29,000	12.5	15.5
3379026	24ABB430(A,W)30	CAP**4821A**	58VMR120-20	29,000	12.5	15.5
3379110	24ABB430(A,W)30	CAP**4823A**	58HDV040--12	29,000	12.5	15.0
3379126	24ABB430(A,W)30	CAP**4823A**	58HDV060--12	29,000	12.5	15.0
3379111	24ABB430(A,W)30	CAP**4823A**	58HDV080--20	29,000	13.0	16.0
3379112	24ABB430(A,W)30	CAP**4823A**	58HDV100--20	29,000	13.0	16.0
3315030	24ABB430(A,W)30	CAP**4824A**	58CV(A,X)110-20	29,000	13.0	16.0
3319591	24ABB430(A,W)30	CAP**4824A**	58MV(B,C)080-14	29,000	13.0	16.0
3315029	24ABB430(A,W)30	CAP**4824A**	58MV(B,C)080-20	29,000	13.0	16.0
3319592	24ABB430(A,W)30	CAP**4824A**	58MV(B,C)120-20	29,000	13.0	16.0
3315031	24ABB430(A,W)30	CAP**4824A**	58PH*090-16	29,000	13.0	16.0
3379029	24ABB430(A,W)30	CAP**4824A**	58VLR120-20	29,000	13.0	16.0
3379028	24ABB430(A,W)30	CAP**4824A**	58VMR120-20	29,000	13.0	16.0
3251565	24ABB430(A,W)30	CNPF*3618A**+TDR		29,000	11.7	14.0
3251548	24ABB430(A,W)30	CNPH*3017A**	58CV(A,X)070-12	28,800	12.5	15.0
3251549	24ABB430(A,W)30	CNPH*3017A**	58CV(A,X)090-16	28,800	12.5	15.0
3251550	24ABB430(A,W)30	CNPH*3017A**	58CV(A,X)110-20	29,000	12.5	15.0
3251551	24ABB430(A,W)30	CNPH*3017A**	58CV(A,X)135-22	29,000	12.5	15.0
3251552	24ABB430(A,W)30	CNPH*3017A**	58CV(A,X)155-22	29,000	13.0	15.0
3251498	24ABB430(A,W)30	CNPH*3017A**	58MEB040-12	29,000	13.0	15.5
3251499	24ABB430(A,W)30	CNPH*3017A**	58MEB060-12	29,000	12.7	15.5
3251500	24ABB430(A,W)30	CNPH*3017A**	58MEB080-12	29,000	13.0	15.5
3251501	24ABB430(A,W)30	CNPH*3017A**	58MEB080-16	29,000	12.7	15.5
3251542	24ABB430(A,W)30	CNPH*3017A**	58MV(B,C)040-14	28,800	12.5	15.0
3251543	24ABB430(A,W)30	CNPH*3017A**	58MV(B,C)060-14	28,800	12.5	15.0
3251544	24ABB430(A,W)30	CNPH*3017A**	58MV(B,C)080-14	28,800	12.5	15.0
3251545	24ABB430(A,W)30	CNPH*3017A**	58MV(B,C)080-20	28,800	12.5	15.0
3251546	24ABB430(A,W)30	CNPH*3017A**	58MV(B,C)100-20	28,600	12.5	15.0
3251547	24ABB430(A,W)30	CNPH*3017A**	58MV(B,C)120-20	28,800	12.5	15.0
3251609	24ABB430(A,W)30	CNPH*3017A**	58PH*070-16	29,000	12.5	15.0
3251610	24ABB430(A,W)30	CNPH*3017A**	58PH*090-16	29,000	12.5	15.0
3251541	24ABB430(A,W)30	CNPH*3017A**+TDR		29,000	11.7	14.0
3251560	24ABB430(A,W)30	CNPH*3617A**	58CV(A,X)070-12	28,800	12.5	15.0
3251561	24ABB430(A,W)30	CNPH*3617A**	58CV(A,X)090-16	28,800	12.5	15.0
3251562	24ABB430(A,W)30	CNPH*3617A**	58CV(A,X)110-20	29,000	12.5	15.0
3251563	24ABB430(A,W)30	CNPH*3617A**	58CV(A,X)135-22	29,000	12.5	15.0
3251564	24ABB430(A,W)30	CNPH*3617A**	58CV(A,X)155-22	29,000	13.0	15.0
3251502	24ABB430(A,W)30	CNPH*3617A**	58MEB040-12	29,000	13.0	15.5
3251503	24ABB430(A,W)30	CNPH*3617A**	58MEB060-12	29,000	12.7	15.5
3251504	24ABB430(A,W)30	CNPH*3617A**	58MEB080-12	29,000	13.0	15.5
3251505	24ABB430(A,W)30	CNPH*3617A**	58MEB080-16	29,000	12.7	15.5
3251554	24ABB430(A,W)30	CNPH*3617A**	58MV(B,C)040-14	28,800	12.5	15.0
3251555	24ABB430(A,W)30	CNPH*3617A**	58MV(B,C)060-14	28,800	12.5	15.0
3251556	24ABB430(A,W)30	CNPH*3617A**	58MV(B,C)080-14	28,800	12.5	15.0
3251557	24ABB430(A,W)30	CNPH*3617A**	58MV(B,C)080-20	28,800	12.5	15.0
3251558	24ABB430(A,W)30	CNPH*3617A**	58MV(B,C)100-20	28,600	12.5	15.0
3251559	24ABB430(A,W)30	CNPH*3617A**	58MV(B,C)120-20	28,800	12.5	15.0
3251611	24ABB430(A,W)30	CNPH*3617A**	58PH*070-16	29,000	12.5	15.0
3251612	24ABB430(A,W)30	CNPH*3617A**	58PH*090-16	29,000	12.5	15.0
3251553	24ABB430(A,W)30	CNPH*3617A**+TDR		29,000	11.7	14.0
3319616	24ABB430(A,W)30	CNPH*4221A**	58CV(A,X)090-16	29,000	13.0	16.0
3319617	24ABB430(A,W)30	CNPH*4221A**	58MEB040-12	29,000	13.0	16.0
3319618	24ABB430(A,W)30	CNPH*4221A**	58MEB080-12	29,000	13.0	16.0
3379045	24ABB430(A,W)30	CNPH*4221A**	58VLR105-12	29,000	12.5	15.5
3379047	24ABB430(A,W)30	CNPH*4221A**	58VLR120-20	29,000	12.5	15.5
3379044	24ABB430(A,W)30	CNPH*4221A**	58VMR105-12	28,800	12.5	15.5
3379046	24ABB430(A,W)30	CNPH*4221A**	58VMR120-20	29,000	12.5	15.5
3315045	24ABB430(A,W)30	CNPH*4821A**	58CV(A,X)090-16	29,000	13.0	16.0
3315046	24ABB430(A,W)30	CNPH*4821A**	58CV(A,X)110-20	29,000	13.0	16.0
3315048	24ABB430(A,W)30	CNPH*4821A**	58MEB040-12	29,000	13.0	16.0
3315049	24ABB430(A,W)30	CNPH*4821A**	58MEB060-12	29,000	13.0	16.0
3315050	24ABB430(A,W)30	CNPH*4821A**	58MEB080-12	29,000	13.0	16.0

See notes on page 31

COMBINATION RATINGS CONTINUED

ARI Ref. No.	Model Number	Indoor Model	Furnace Model	Capacity	EER	SEER
3315044	24ABB430(A,W)30	CNPH*4821A**	58MV(B,C)060-14	29,000	13.0	16.0
3319597	24ABB430(A,W)30	CNPH*4821A**	58MV(B,C)080-14	29,000	13.0	16.0
3319598	24ABB430(A,W)30	CNPH*4821A**	58MV(B,C)080-20	29,000	13.0	16.0
3319599	24ABB430(A,W)30	CNPH*4821A**	58MV(B,C)100-20	29,000	13.0	16.0
3315047	24ABB430(A,W)30	CNPH*4821A**	58PH*090-16	29,000	13.0	16.0
3379049	24ABB430(A,W)30	CNPH*4821A**	58VLR105-12	29,000	13.0	16.0
3379051	24ABB430(A,W)30	CNPH*4821A**	58VLR120-20	29,000	13.0	16.0
3379048	24ABB430(A,W)30	CNPH*4821A**	58VMR105-12	29,000	13.0	16.0
3379050	24ABB430(A,W)30	CNPH*4821A**	58VMR120-20	29,000	13.0	16.0
3251529	24ABB430(A,W)30	CNPV*3014A**	58CV(A,X)070-12	28,800	12.5	15.0
3251528	24ABB430(A,W)30	CNPV*3014A**+TDR		29,000	11.7	14.0
3251532	24ABB430(A,W)30	CNPV*3017A**	58CV(A,X)090-16	28,800	12.5	15.0
3251490	24ABB430(A,W)30	CNPV*3017A**	58MEB040-12	29,000	13.0	15.5
3251491	24ABB430(A,W)30	CNPV*3017A**	58MEB060-12	29,000	12.7	15.5
3251492	24ABB430(A,W)30	CNPV*3017A**	58MEB080-12	29,000	13.0	15.5
3251493	24ABB430(A,W)30	CNPV*3017A**	58MEB080-16	29,000	12.7	15.5
3251531	24ABB430(A,W)30	CNPV*3017A**	58MV(B,C)060-14	28,800	12.5	15.0
3251606	24ABB430(A,W)30	CNPV*3017A**	58PH*070-16	29,000	12.5	15.0
3251530	24ABB430(A,W)30	CNPV*3017A**+TDR		29,000	11.7	14.0
3251535	24ABB430(A,W)30	CNPV*3617A**	58CV(A,X)090-16	28,800	12.5	15.0
3251494	24ABB430(A,W)30	CNPV*3617A**	58MEB040-12	29,000	13.0	15.5
3251495	24ABB430(A,W)30	CNPV*3617A**	58MEB060-12	29,000	12.7	15.5
3251496	24ABB430(A,W)30	CNPV*3617A**	58MEB080-12	29,000	13.0	15.5
3251497	24ABB430(A,W)30	CNPV*3617A**	58MEB080-16	29,000	12.7	15.5
3251534	24ABB430(A,W)30	CNPV*3617A**	58MV(B,C)060-14	28,800	12.5	15.0
3251607	24ABB430(A,W)30	CNPV*3617A**	58PH*070-16	29,000	12.5	15.0
3251533	24ABB430(A,W)30	CNPV*3617A**+TDR		29,000	11.7	14.0
3251540	24ABB430(A,W)30	CNPV*3621A**	58CV(A,X)110-20	29,000	12.5	15.0
3251537	24ABB430(A,W)30	CNPV*3621A**	58MV(B,C)080-14	28,800	12.5	15.0
3251538	24ABB430(A,W)30	CNPV*3621A**	58MV(B,C)080-20	28,800	12.5	15.0
3251539	24ABB430(A,W)30	CNPV*3621A**	58MV(B,C)100-20	28,600	12.5	15.0
3251608	24ABB430(A,W)30	CNPV*3621A**	58PH*090-16	29,000	12.5	15.0
3251536	24ABB430(A,W)30	CNPV*3621A**+TDR		29,000	11.7	14.0
3315062	24ABB430(A,W)30	CNPV*4217A**	58CV(A,X)090-16	29,000	13.0	16.0
3319612	24ABB430(A,W)30	CNPV*4217A**	58CV(A,X)110-20	29,000	13.0	16.0
3315063	24ABB430(A,W)30	CNPV*4217A**	58MEB040-12	29,000	13.0	16.0
3315064	24ABB430(A,W)30	CNPV*4217A**	58MEB060-12	29,000	13.0	16.0
3315065	24ABB430(A,W)30	CNPV*4217A**	58MEB080-12	29,000	13.0	16.0
3319613	24ABB430(A,W)30	CNPV*4217A**	58MEB080-16	29,000	13.0	16.0
3315061	24ABB430(A,W)30	CNPV*4217A**	58MV(B,C)060-14	29,000	13.0	16.0
3379031	24ABB430(A,W)30	CNPV*4217A**	58VLR105-12	29,000	12.5	15.5
3379033	24ABB430(A,W)30	CNPV*4217A**	58VLR120-20	29,000	13.0	16.0
3379030	24ABB430(A,W)30	CNPV*4217A**	58VMR105-12	29,000	12.5	15.5
3379032	24ABB430(A,W)30	CNPV*4217A**	58VMR120-20	29,000	12.5	15.0
3319614	24ABB430(A,W)30	CNPV*4221A**	58MEB040-12	29,000	13.0	16.0
3319615	24ABB430(A,W)30	CNPV*4221A**	58MEB080-12	29,000	13.0	16.0
3379035	24ABB430(A,W)30	CNPV*4221A**	58VLR105-12	29,000	12.5	15.5
3379037	24ABB430(A,W)30	CNPV*4221A**	58VLR120-20	29,000	12.5	15.5
3379034	24ABB430(A,W)30	CNPV*4221A**	58VMR105-12	28,800	12.5	15.5
3379036	24ABB430(A,W)30	CNPV*4221A**	58VMR120-20	29,000	12.5	15.5
3315034	24ABB430(A,W)30	CNPV*4821A**	58CV(A,X)090-16	29,000	13.0	16.0
3315035	24ABB430(A,W)30	CNPV*4821A**	58CV(A,X)110-20	29,000	13.0	16.0
3315037	24ABB430(A,W)30	CNPV*4821A**	58MEB040-12	29,000	13.0	16.0
3315038	24ABB430(A,W)30	CNPV*4821A**	58MEB060-12	29,000	13.0	16.0
3315039	24ABB430(A,W)30	CNPV*4821A**	58MEB080-12	29,000	13.0	16.0
3315040	24ABB430(A,W)30	CNPV*4821A**	58MEB080-16	29,000	13.0	16.0
3315032	24ABB430(A,W)30	CNPV*4821A**	58MV(B,C)060-14	29,000	13.0	16.0
3319593	24ABB430(A,W)30	CNPV*4821A**	58MV(B,C)080-14	29,000	13.0	16.0
3315033	24ABB430(A,W)30	CNPV*4821A**	58MV(B,C)080-20	29,000	13.0	16.0
3319594	24ABB430(A,W)30	CNPV*4821A**	58MV(B,C)100-20	29,000	13.0	16.0
3315036	24ABB430(A,W)30	CNPV*4821A**	58PH*090-16	29,000	13.0	16.0
3379039	24ABB430(A,W)30	CNPV*4821A**	58VLR105-12	29,000	13.0	16.0
3379041	24ABB430(A,W)30	CNPV*4821A**	58VLR120-20	29,000	13.0	16.0
3379038	24ABB430(A,W)30	CNPV*4821A**	58VMR105-12	29,000	13.0	16.0
3379040	24ABB430(A,W)30	CNPV*4821A**	58VMR120-20	29,000	13.0	16.0
3315042	24ABB430(A,W)30	CNPV*4824A**	58CV(A,X)110-20	29,000	13.0	16.0
3319595	24ABB430(A,W)30	CNPV*4824A**	58MV(B,C)080-14	29,000	13.0	16.0
3315041	24ABB430(A,W)30	CNPV*4824A**	58MV(B,C)080-20	29,000	13.0	16.0
3319596	24ABB430(A,W)30	CNPV*4824A**	58MV(B,C)100-20	29,000	13.0	16.0
3315043	24ABB430(A,W)30	CNPV*4824A**	58PH*090-16	29,000	13.0	16.0
3379043	24ABB430(A,W)30	CNPV*4824A**	58VLR120-20	29,000	13.0	16.0
3379042	24ABB430(A,W)30	CNPV*4824A**	58VMR120-20	29,000	13.0	16.0
3251573	24ABB430(A,W)30	CSPH*3012A**	58CV(A,X)070-12	29,000	12.5	15.0
3251574	24ABB430(A,W)30	CSPH*3012A**	58CV(A,X)090-16	29,000	12.5	15.0
3251575	24ABB430(A,W)30	CSPH*3012A**	58CV(A,X)110-20	29,000	12.5	15.0
3251576	24ABB430(A,W)30	CSPH*3012A**	58CV(A,X)135-22	29,000	12.5	15.0
3251577	24ABB430(A,W)30	CSPH*3012A**	58CV(A,X)155-22	29,000	12.5	15.0
3251506	24ABB430(A,W)30	CSPH*3012A**	58MEB040-12	29,000	13.0	15.7
3251507	24ABB430(A,W)30	CSPH*3012A**	58MEB060-12	29,000	12.7	15.5

24ABB4

See notes on page 31

COMBINATION RATINGS CONTINUED

ARI Ref. No.	Model Number	Indoor Model	Furnace Model	Capacity	EER	SEER
3251508	24ABB430(A,W)30	CSPH*3012A**	58MEB080-12	29,000	13.0	15.5
3251509	24ABB430(A,W)30	CSPH*3012A**	58MEB080-16	29,000	12.7	15.5
3251567	24ABB430(A,W)30	CSPH*3012A**	58MV(B,C)040-14	28,800	12.5	15.0
3251568	24ABB430(A,W)30	CSPH*3012A**	58MV(B,C)060-14	28,800	12.5	15.0
3251569	24ABB430(A,W)30	CSPH*3012A**	58MV(B,C)080-14	28,800	12.5	15.0
3251570	24ABB430(A,W)30	CSPH*3012A**	58MV(B,C)080-20	29,000	12.5	15.0
3251571	24ABB430(A,W)30	CSPH*3012A**	58MV(B,C)100-20	28,800	12.5	15.0
3251572	24ABB430(A,W)30	CSPH*3012A**	58MV(B,C)120-20	28,800	12.5	15.0
3251613	24ABB430(A,W)30	CSPH*3012A**	58PH*070-16	29,000	12.5	15.0
3251614	24ABB430(A,W)30	CSPH*3012A**	58PH*090-16	29,000	12.5	15.0
3251566	24ABB430(A,W)30	CSPH*3012A**+TDR		29,000	11.7	14.0
3251585	24ABB430(A,W)30	CSPH*3612A**	58CV(A,X)070-12	29,000	12.5	15.0
3251586	24ABB430(A,W)30	CSPH*3612A**	58CV(A,X)090-16	29,000	13.0	15.0
3251587	24ABB430(A,W)30	CSPH*3612A**	58CV(A,X)110-20	29,000	13.0	15.0
3251588	24ABB430(A,W)30	CSPH*3612A**	58CV(A,X)135-22	29,000	13.0	15.0
3251589	24ABB430(A,W)30	CSPH*3612A**	58CV(A,X)155-22	29,000	13.0	15.0
3251510	24ABB430(A,W)30	CSPH*3612A**	58MEB040-12	29,000	13.0	15.5
3251511	24ABB430(A,W)30	CSPH*3612A**	58MEB060-12	29,000	13.0	15.5
3251512	24ABB430(A,W)30	CSPH*3612A**	58MEB080-12	29,000	13.0	15.5
3251513	24ABB430(A,W)30	CSPH*3612A**	58MEB080-16	29,000	13.0	15.5
3251579	24ABB430(A,W)30	CSPH*3612A**	58MV(B,C)040-14	29,000	12.5	15.0
3251580	24ABB430(A,W)30	CSPH*3612A**	58MV(B,C)060-14	29,000	13.0	15.0
3251581	24ABB430(A,W)30	CSPH*3612A**	58MV(B,C)080-14	29,000	12.5	15.0
3251582	24ABB430(A,W)30	CSPH*3612A**	58MV(B,C)080-20	29,000	13.0	15.0
3251583	24ABB430(A,W)30	CSPH*3612A**	58MV(B,C)100-20	29,000	13.0	15.0
3251584	24ABB430(A,W)30	CSPH*3612A**	58MV(B,C)120-20	29,000	13.0	15.0
3251615	24ABB430(A,W)30	CSPH*3612A**	58PH*070-16	29,200	12.5	15.0
3251616	24ABB430(A,W)30	CSPH*3612A**	58PH*090-16	29,400	12.5	15.5
3251578	24ABB430(A,W)30	CSPH*3612A**+TDR		29,200	11.7	14.0
3319621	24ABB430(A,W)30	CSPH*4212A**	58CV(A,X)090-16	29,000	13.0	16.0
3319622	24ABB430(A,W)30	CSPH*4212A**	58CV(A,X)110-20	29,000	13.0	16.0
3315067	24ABB430(A,W)30	CSPH*4212A**	58MEB040-12	29,000	13.0	16.0
3315068	24ABB430(A,W)30	CSPH*4212A**	58MEB060-12	29,000	13.0	16.0
3315069	24ABB430(A,W)30	CSPH*4212A**	58MEB080-12	29,000	13.0	16.0
3315070	24ABB430(A,W)30	CSPH*4212A**	58MEB080-16	29,000	13.0	16.0
3315066	24ABB430(A,W)30	CSPH*4212A**	58MV(B,C)060-14	29,000	13.0	16.0
3319619	24ABB430(A,W)30	CSPH*4212A**	58MV(B,C)080-14	29,000	13.0	16.0
3319620	24ABB430(A,W)30	CSPH*4212A**	58MV(B,C)080-20	29,000	13.0	16.0
3379053	24ABB430(A,W)30	CSPH*4212A**	58VLR105-12	29,000	12.5	15.5
3379055	24ABB430(A,W)30	CSPH*4212A**	58VLR120-20	29,000	13.0	16.0
3379052	24ABB430(A,W)30	CSPH*4212A**	58VMR105-12	29,000	12.5	15.5
3379054	24ABB430(A,W)30	CSPH*4212A**	58VMR120-20	29,000	12.5	15.5
3319602	24ABB430(A,W)30	CSPH*4812A**	58CV(A,X)070-12	29,000	13.0	16.0
3315052	24ABB430(A,W)30	CSPH*4812A**	58CV(A,X)090-16	29,000	13.0	16.0
3315053	24ABB430(A,W)30	CSPH*4812A**	58CV(A,X)110-20	29,000	13.0	16.0
3315055	24ABB430(A,W)30	CSPH*4812A**	58MEB040-12	29,000	13.0	16.0
3315056	24ABB430(A,W)30	CSPH*4812A**	58MEB060-12	29,000	13.0	16.0
3315057	24ABB430(A,W)30	CSPH*4812A**	58MEB080-12	29,000	13.0	16.0
3315058	24ABB430(A,W)30	CSPH*4812A**	58MEB080-16	29,000	13.0	16.0
3315051	24ABB430(A,W)30	CSPH*4812A**	58MV(B,C)060-14	29,000	13.0	16.0
3319600	24ABB430(A,W)30	CSPH*4812A**	58MV(B,C)080-14	29,000	13.0	16.0
3319601	24ABB430(A,W)30	CSPH*4812A**	58MV(B,C)080-20	29,000	13.0	16.0
3315054	24ABB430(A,W)30	CSPH*4812A**	58PH*090-16	29,000	13.0	16.0
3379057	24ABB430(A,W)30	CSPH*4812A**	58VLR105-12	29,000	13.0	16.0
3379059	24ABB430(A,W)30	CSPH*4812A**	58VLR120-20	29,000	13.0	16.0
3379056	24ABB430(A,W)30	CSPH*4812A**	58VMR105-12	29,000	13.0	16.0
3379058	24ABB430(A,W)30	CSPH*4812A**	58VMR120-20	29,000	12.5	15.5
3251594	24ABB430(A,W)30	FE4AN(B,F)003+UI		29,200	13.0	15.0
3251595	24ABB430(A,W)30	FE4AN(B,F)005+UI		30,000	13.2	16.0
3251593	24ABB430(A,W)30	FE4ANF002+UI		29,000	12.5	15.0
3251596	24ABB430(A,W)30	FE5ANB004+UI		30,200	13.2	15.0
3251597	24ABB430(A,W)30	FF1ENP030		28,600	11.7	14.0
3457541	24ABB430(A,W)30	FF1ENP031		29,200	12.5	15.0
3251598	24ABB430(A,W)30	FF1ENP036		29,200	11.7	14.0
3457542	24ABB430(A,W)30	FF1ENP037		29,400	12.2	14.5
3251600	24ABB430(A,W)30	FV4BN(B,F)003		29,200	13.0	15.0
3251601	24ABB430(A,W)30	FV4BN(B,F)005		30,000	13.2	16.0
3251599	24ABB430(A,W)30	FV4BNF002		29,000	12.5	15.0
3404588	24ABB430(A,W)30	FV4CN(B,F)003		29,200	13.0	15.0
3404589	24ABB430(A,W)30	FV4CN(B,F)005		30,000	13.2	16.0
3404587	24ABB430(A,W)30	FV4CNF002		29,000	12.5	15.0
3251592	24ABB430(A,W)30	FX4CN(B,F)036		29,400	12.2	14.5
3251591	24ABB430(A,W)30	FX4CNF030		29,200	12.5	15.0
3251590	24ABB430(A,W)30	FY4ANF030		28,800	11.7	14.0
3251602	24ABB430(A,W)30	FY4ANF036		29,000	11.7	13.5
3251617	24ABB436(A,W)30	†CAP**4221A**+TDR		35,800	12.0	14.0
3251619	24ABB436(A,W)30	CAP**3614A**	58CV(A,X)070-12	34,000	12.5	14.5
3251671	24ABB436(A,W)30	CAP**3614A**	58PH*045-08	34,200	12.0	14.0

See notes on page 31

COMBINATION RATINGS CONTINUED

ARI Ref. No.	Model Number	Indoor Model	Furnace Model	Capacity	EER	SEER
3251618	24ABB436(A,W)30	CAP**3614A**+TDR		34,400	12.0	14.0
3251622	24ABB436(A,W)30	CAP**3617A**	58CV(A,X)090-16	35,000	12.5	15.0
3251699	24ABB436(A,W)30	CAP**3617A**	58MEB040-12	35,000	12.7	15.0
3251700	24ABB436(A,W)30	CAP**3617A**	58MEB060-12	35,000	12.7	15.0
3251701	24ABB436(A,W)30	CAP**3617A**	58MEB080-12	35,000	12.7	15.0
3251702	24ABB436(A,W)30	CAP**3617A**	58MEB080-16	35,000	12.7	15.0
3251621	24ABB436(A,W)30	CAP**3617A**	58MV(B,C)060-14	35,000	12.5	15.0
3251672	24ABB436(A,W)30	CAP**3617A**	58PH*070-16	35,200	12.2	14.5
3251620	24ABB436(A,W)30	CAP**3617A**+TDR		35,400	11.5	14.0
3379113	24ABB436(A,W)30	CAP**3619A**	58HDV040--12	34,800	12.5	14.5
3379114	24ABB436(A,W)30	CAP**3619A**	58HDV060--12	35,000	12.3	14.5
3379115	24ABB436(A,W)30	CAP**3619A**	58HDV080--20	35,000	12.5	15.3
3251627	24ABB436(A,W)30	CAP**3621A**	58CV(A,X)110-20	35,200	13.0	16.0
3251703	24ABB436(A,W)30	CAP**3621A**	58MEB100-20	35,000	12.7	15.0
3251624	24ABB436(A,W)30	CAP**3621A**	58MV(B,C)080-14	35,000	12.5	14.5
3251625	24ABB436(A,W)30	CAP**3621A**	58MV(B,C)080-20	35,000	12.5	15.0
3251626	24ABB436(A,W)30	CAP**3621A**	58MV(B,C)100-20	35,200	13.0	15.0
3251673	24ABB436(A,W)30	CAP**3621A**	58PH*090-16	35,600	12.5	15.3
3251674	24ABB436(A,W)30	CAP**3621A**	58PH*110-20	35,800	12.5	15.5
3251623	24ABB436(A,W)30	CAP**3621A**+TDR		35,400	11.5	14.0
3251631	24ABB436(A,W)30	CAP**4221A**	58CV(A,X)110-20	35,400	13.0	15.0
3251704	24ABB436(A,W)30	CAP**4221A**	58MEB100-20	35,000	12.7	15.0
3251628	24ABB436(A,W)30	CAP**4221A**	58MV(B,C)080-14	35,200	12.5	14.5
3251629	24ABB436(A,W)30	CAP**4221A**	58MV(B,C)080-20	35,400	12.5	15.0
3251630	24ABB436(A,W)30	CAP**4221A**	58MV(B,C)100-20	35,400	12.5	15.0
3251675	24ABB436(A,W)30	CAP**4221A**	58PH*090-16	35,800	12.5	15.5
3251676	24ABB436(A,W)30	CAP**4221A**	58PH*110-20	36,000	12.5	15.0
3251635	24ABB436(A,W)30	CAP**4224A**	58CV(A,X)135-22	35,400	13.0	15.0
3251633	24ABB436(A,W)30	CAP**4224A**	58MV(B,C)040-14	35,200	12.5	15.0
3251634	24ABB436(A,W)30	CAP**4224A**	58MV(B,C)120-20	35,400	13.0	15.0
3251632	24ABB436(A,W)30	CAP**4224A**+TDR		35,800	12.0	14.0
3319672	24ABB436(A,W)30	CAP**4817A**	58CV(A,X)090-16	35,800	13.0	16.0
3319673	24ABB436(A,W)30	CAP**4817A**	58CV(A,X)110-20	35,800	13.0	16.0
3315139	24ABB436(A,W)30	CAP**4817A**	58MEB040-12	35,800	13.0	16.0
3319674	24ABB436(A,W)30	CAP**4817A**	58MEB060-12	35,800	13.0	16.0
3315140	24ABB436(A,W)30	CAP**4817A**	58MEB080-12	35,800	13.0	16.0
3319675	24ABB436(A,W)30	CAP**4817A**	58MEB080-16	35,800	13.0	16.0
3315141	24ABB436(A,W)30	CAP**4817A**	58MEB100-20	35,800	13.0	16.0
3247506	24ABB436(A,W)30	CAP**4817A**	58PH*070-16	36,000	12.5	15.0
3315137	24ABB436(A,W)30	CAP**4817A**	58PH*090-16	35,800	13.0	16.0
3315138	24ABB436(A,W)30	CAP**4817A**	58PH*110-20	35,800	13.0	16.0
3315143	24ABB436(A,W)30	CAP**4821A**	58CV(A,X)090-16	35,800	13.0	16.0
3315144	24ABB436(A,W)30	CAP**4821A**	58CV(A,X)110-20	35,800	13.0	16.0
3319678	24ABB436(A,W)30	CAP**4821A**	58MEB040-12	35,800	13.0	16.0
3319679	24ABB436(A,W)30	CAP**4821A**	58MEB060-12	35,800	13.0	16.0
3319680	24ABB436(A,W)30	CAP**4821A**	58MEB080-12	35,800	13.0	16.0
3319681	24ABB436(A,W)30	CAP**4821A**	58MEB080-16	35,800	13.0	16.0
3315147	24ABB436(A,W)30	CAP**4821A**	58MEB100-20	35,800	13.0	16.0
3319676	24ABB436(A,W)30	CAP**4821A**	58MV(B,C)060-14	35,800	13.0	16.0
3319677	24ABB436(A,W)30	CAP**4821A**	58MV(B,C)100-20	35,800	13.0	16.0
3315142	24ABB436(A,W)30	CAP**4821A**	58MV(B,C)120-20	35,800	13.0	16.0
3315145	24ABB436(A,W)30	CAP**4821A**	58PH*090-16	35,800	13.0	16.0
3315146	24ABB436(A,W)30	CAP**4821A**	58PH*110-20	35,800	13.0	16.0
3379116	24ABB436(A,W)30	CAP**4823A**	58HDV040--12	35,000	12.5	15.0
3379117	24ABB436(A,W)30	CAP**4823A**	58HDV060--12	35,000	12.5	15.0
3379118	24ABB436(A,W)30	CAP**4823A**	58HDV080--20	35,800	13.0	16.0
3379119	24ABB436(A,W)30	CAP**4823A**	58HDV100--20	35,800	13.0	16.0
3315149	24ABB436(A,W)30	CAP**4824A**	58CV(A,X)110-20	35,800	13.0	16.0
3315150	24ABB436(A,W)30	CAP**4824A**	58CV(A,X)135-22	35,800	13.0	16.0
3315153	24ABB436(A,W)30	CAP**4824A**	58MEB100-20	35,800	13.0	16.0
3319682	24ABB436(A,W)30	CAP**4824A**	58MV(B,C)100-20	35,800	13.0	16.0
3315148	24ABB436(A,W)30	CAP**4824A**	58MV(B,C)120-20	35,800	13.0	16.0
3315151	24ABB436(A,W)30	CAP**4824A**	58PH*090-16	35,800	13.0	16.0
3315152	24ABB436(A,W)30	CAP**4824A**	58PH*110-20	35,800	13.0	16.0
3379061	24ABB436(A,W)30	CAP**4824A**	58VLR120-20	35,800	13.0	16.0
3379060	24ABB436(A,W)30	CAP**4824A**	58VMR120-20	35,800	12.5	15.5
3315191	24ABB436(A,W)30	CAP**6021A**	58CV(A,X)090-16	35,800	13.0	16.0
3315192	24ABB436(A,W)30	CAP**6021A**	58CV(A,X)110-20	35,800	13.0	16.0
3315193	24ABB436(A,W)30	CAP**6021A**	58CV(A,X)135-22	35,800	13.0	16.0
3315196	24ABB436(A,W)30	CAP**6021A**	58MEB040-12	35,800	13.0	16.0
3315197	24ABB436(A,W)30	CAP**6021A**	58MEB060-12	35,800	13.0	16.0
3315198	24ABB436(A,W)30	CAP**6021A**	58MEB080-12	35,800	13.0	16.0
3315199	24ABB436(A,W)30	CAP**6021A**	58MEB080-16	35,800	13.0	16.0
3315200	24ABB436(A,W)30	CAP**6021A**	58MEB100-20	35,800	13.0	16.0
3315186	24ABB436(A,W)30	CAP**6021A**	58MV(B,C)060-14	35,800	13.0	16.0
3315188	24ABB436(A,W)30	CAP**6021A**	58MV(B,C)080-20	35,800	13.0	16.0
3315189	24ABB436(A,W)30	CAP**6021A**	58MV(B,C)100-20	35,800	13.0	16.0
3315190	24ABB436(A,W)30	CAP**6021A**	58MV(B,C)120-20	35,800	13.0	16.0
3315194	24ABB436(A,W)30	CAP**6021A**	58PH*090-16	35,800	13.0	16.0

24ABB4

See notes on page 31

COMBINATION RATINGS CONTINUED

ARI Ref. No.	Model Number	Indoor Model	Furnace Model	Capacity	EER	SEER
3315195	24ABB436(A,W)30	CAP**6021A**	58PH*110-20	35,800	13.0	16.0
3379063	24ABB436(A,W)30	CAP**6021A**	58VLR120-20	35,800	13.0	16.0
3379062	24ABB436(A,W)30	CAP**6021A**	58VMR120-20	35,800	13.0	16.0
3315204	24ABB436(A,W)30	CAP**6024A**	58CV(A,X)110-20	35,800	13.0	16.0
3315205	24ABB436(A,W)30	CAP**6024A**	58CV(A,X)135-22	35,800	13.0	16.0
3315208	24ABB436(A,W)30	CAP**6024A**	58MEB100-20	35,800	13.0	16.0
3319669	24ABB436(A,W)30	CAP**6024A**	58MV(B,C)080-14	35,800	13.0	16.0
3315201	24ABB436(A,W)30	CAP**6024A**	58MV(B,C)080-20	35,800	13.0	16.0
3315202	24ABB436(A,W)30	CAP**6024A**	58MV(B,C)100-20	35,800	13.0	16.0
3315203	24ABB436(A,W)30	CAP**6024A**	58MV(B,C)120-20	35,800	13.0	16.0
3315206	24ABB436(A,W)30	CAP**6024A**	58PH*090-16	35,800	13.0	16.0
3315207	24ABB436(A,W)30	CAP**6024A**	58PH*110-20	35,800	13.0	16.0
3379065	24ABB436(A,W)30	CAP**6024A**	58VLR120-20	35,800	13.0	16.0
3379064	24ABB436(A,W)30	CAP**6024A**	58VMR120-20	35,800	13.0	16.0
3379120	24ABB436(A,W)30	CAP**6025A**	58HDV080--20	35,800	13.0	16.0
3379121	24ABB436(A,W)30	CAP**6025A**	58HDV100--20	35,800	13.0	16.0
3251653	24ABB436(A,W)30	CNPF*3618A**+TDR		35,400	11.5	14.0
3251647	24ABB436(A,W)30	CNPH*3617A**	58CV(A,X)070-12	35,000	12.5	14.5
3251719	24ABB436(A,W)30	CNPH*3617A**	58MEB040-12	35,000	12.7	15.0
3251720	24ABB436(A,W)30	CNPH*3617A**	58MEB060-12	35,000	12.7	15.0
3251721	24ABB436(A,W)30	CNPH*3617A**	58MEB080-12	35,000	12.7	15.0
3251722	24ABB436(A,W)30	CNPH*3617A**	58MEB080-16	35,000	12.7	15.0
3251723	24ABB436(A,W)30	CNPH*3617A**	58MEB100-20	35,000	12.7	15.0
3251646	24ABB436(A,W)30	CNPH*3617A**	58MV(B,C)040-14	35,000	12.5	14.5
3251739	24ABB436(A,W)30	CNPH*3617A**	58MV(B,C)060-14	35,200	12.2	14.5
3251682	24ABB436(A,W)30	CNPH*3617A**	58PH*045-08	35,000	12.0	14.0
3251683	24ABB436(A,W)30	CNPH*3617A**	58PH*070-16	35,000	12.2	14.5
3251684	24ABB436(A,W)30	CNPH*3617A**	58PH*090-16	35,200	12.5	15.0
3251685	24ABB436(A,W)30	CNPH*3617A**	58PH*110-20	35,400	12.5	15.0
3251645	24ABB436(A,W)30	CNPH*3617A**+TDR		35,400	11.5	14.0
3251650	24ABB436(A,W)30	CNPH*4221A**	58CV(A,X)070-12	35,400	13.0	15.0
3251651	24ABB436(A,W)30	CNPH*4221A**	58CV(A,X)135-22	35,600	13.0	15.0
3251652	24ABB436(A,W)30	CNPH*4221A**	58CV(A,X)155-22	35,600	13.0	15.0
3251724	24ABB436(A,W)30	CNPH*4221A**	58MEB040-12	35,000	12.7	15.0
3251725	24ABB436(A,W)30	CNPH*4221A**	58MEB060-12	35,000	12.7	15.0
3251726	24ABB436(A,W)30	CNPH*4221A**	58MEB080-12	35,000	12.7	15.0
3251727	24ABB436(A,W)30	CNPH*4221A**	58MEB080-16	35,000	12.7	15.0
3251728	24ABB436(A,W)30	CNPH*4221A**	58MEB100-20	35,000	12.7	15.0
3251649	24ABB436(A,W)30	CNPH*4221A**	58MV(B,C)040-14	35,200	13.0	15.0
3251698	24ABB436(A,W)30	CNPH*4221A**	58MV(B,C)060-14	35,400	12.5	15.0
3251686	24ABB436(A,W)30	CNPH*4221A**	58PH*045-08	35,400	12.0	14.0
3251687	24ABB436(A,W)30	CNPH*4221A**	58PH*070-16	35,400	12.2	14.5
3251688	24ABB436(A,W)30	CNPH*4221A**	58PH*090-16	35,600	12.5	15.3
3251689	24ABB436(A,W)30	CNPH*4221A**	58PH*110-20	35,800	12.5	15.0
3251648	24ABB436(A,W)30	CNPH*4221A**+TDR		35,800	12.0	14.0
3315169	24ABB436(A,W)30	CNPH*4821A**	58CV(A,X)090-16	35,800	13.0	16.0
3315170	24ABB436(A,W)30	CNPH*4821A**	58CV(A,X)110-20	35,800	13.0	16.0
3315171	24ABB436(A,W)30	CNPH*4821A**	58CV(A,X)135-22	35,800	13.0	16.0
3319693	24ABB436(A,W)30	CNPH*4821A**	58MEB040-12	35,800	13.0	16.0
3319694	24ABB436(A,W)30	CNPH*4821A**	58MEB060-12	35,800	13.0	16.0
3315174	24ABB436(A,W)30	CNPH*4821A**	58MEB080-12	35,800	13.0	16.0
3315175	24ABB436(A,W)30	CNPH*4821A**	58MEB080-16	35,800	13.0	16.0
3315176	24ABB436(A,W)30	CNPH*4821A**	58MEB100-20	35,800	13.0	16.0
3319690	24ABB436(A,W)30	CNPH*4821A**	58MV(B,C)060-14	35,800	13.0	16.0
3319691	24ABB436(A,W)30	CNPH*4821A**	58MV(B,C)080-20	35,800	13.0	16.0
3319692	24ABB436(A,W)30	CNPH*4821A**	58MV(B,C)100-20	35,800	13.0	16.0
3315168	24ABB436(A,W)30	CNPH*4821A**	58MV(B,C)120-20	35,800	13.0	16.0
3247507	24ABB436(A,W)30	CNPH*4821A**	58PH*070-16	36,000	12.5	15.0
3315172	24ABB436(A,W)30	CNPH*4821A**	58PH*090-16	35,800	13.0	16.0
3315173	24ABB436(A,W)30	CNPH*4821A**	58PH*110-20	35,800	13.0	16.0
3379073	24ABB436(A,W)30	CNPH*4821A**	58VLR120-20	35,600	13.0	16.0
3379072	24ABB436(A,W)30	CNPH*4821A**	58VMR120-20	35,200	13.0	16.0
3315223	24ABB436(A,W)30	CNPH*6024A**	58CV(A,X)090-16	35,800	13.0	16.0
3315224	24ABB436(A,W)30	CNPH*6024A**	58CV(A,X)110-20	35,800	13.0	16.0
3315225	24ABB436(A,W)30	CNPH*6024A**	58CV(A,X)135-22	35,800	13.0	16.0
3315226	24ABB436(A,W)30	CNPH*6024A**	58CV(A,X)155-22	35,800	13.0	16.0
3315229	24ABB436(A,W)30	CNPH*6024A**	58MEB040-12	35,800	13.0	16.0
3315230	24ABB436(A,W)30	CNPH*6024A**	58MEB060-12	35,800	13.0	16.0
3315231	24ABB436(A,W)30	CNPH*6024A**	58MEB080-12	35,800	13.0	16.0
3315232	24ABB436(A,W)30	CNPH*6024A**	58MEB080-16	35,800	13.0	16.0
3315233	24ABB436(A,W)30	CNPH*6024A**	58MEB100-20	35,800	13.0	16.0
3315219	24ABB436(A,W)30	CNPH*6024A**	58MV(B,C)060-14	35,800	13.0	16.0
3319670	24ABB436(A,W)30	CNPH*6024A**	58MV(B,C)080-14	35,800	13.0	16.0
3315220	24ABB436(A,W)30	CNPH*6024A**	58MV(B,C)080-20	35,800	13.0	16.0
3315221	24ABB436(A,W)30	CNPH*6024A**	58MV(B,C)100-20	35,800	13.0	16.0
3315222	24ABB436(A,W)30	CNPH*6024A**	58MV(B,C)120-20	35,800	13.0	16.0
3315227	24ABB436(A,W)30	CNPH*6024A**	58PH*090-16	35,800	13.0	16.0
3315228	24ABB436(A,W)30	CNPH*6024A**	58PH*110-20	35,800	13.0	16.0
3379075	24ABB436(A,W)30	CNPH*6024A**	58VLR120-20	35,800	13.0	16.0

See notes on page 31

24ABB4

COMBINATION RATINGS CONTINUED

ARI Ref. No.	Model Number	Indoor Model	Furnace Model	Capacity	EER	SEER
3379074	24ABB436(A,W)30	CNPH*6024A**	58VMR120-20	35,800	13.0	16.0
3251638	24ABB436(A,W)30	CNPV*3617A**	58CV(A,X)090-16	35,000	12.5	15.0
3251705	24ABB436(A,W)30	CNPV*3617A**	58MEB040-12	35,000	12.7	15.0
3251706	24ABB436(A,W)30	CNPV*3617A**	58MEB060-12	35,000	12.7	15.0
3251707	24ABB436(A,W)30	CNPV*3617A**	58MEB080-12	35,000	12.7	15.0
3251708	24ABB436(A,W)30	CNPV*3617A**	58MEB080-16	35,000	12.7	15.0
3251637	24ABB436(A,W)30	CNPV*3617A**	58MV(B,C)060-14	35,000	12.5	14.5
3251677	24ABB436(A,W)30	CNPV*3617A**	58PH*070-16	35,000	12.2	14.5
3251636	24ABB436(A,W)30	CNPV*3617A**+TDR		35,400	11.5	14.0
3251641	24ABB436(A,W)30	CNPV*3621A**	58CV(A,X)110-20	35,000	12.5	15.0
3251709	24ABB436(A,W)30	CNPV*3621A**	58MEB100-20	35,000	12.7	15.0
3251640	24ABB436(A,W)30	CNPV*3621A**	58MV(B,C)080-14	35,000	12.5	14.5
3251670	24ABB436(A,W)30	CNPV*3621A**	58MV(B,C)100-20	35,200	12.5	15.0
3251678	24ABB436(A,W)30	CNPV*3621A**	58PH*090-16	35,200	12.5	15.0
3251679	24ABB436(A,W)30	CNPV*3621A**	58PH*110-20	35,400	12.5	15.0
3251639	24ABB436(A,W)30	CNPV*3621A**+TDR		35,400	11.5	14.0
3251712	24ABB436(A,W)30	CNPV*4217A**	58CV(A,X)090-16	35,000	12.7	15.0
3251714	24ABB436(A,W)30	CNPV*4217A**	58MEB040-12	35,000	12.7	15.0
3251715	24ABB436(A,W)30	CNPV*4217A**	58MEB060-12	35,000	12.7	15.0
3251716	24ABB436(A,W)30	CNPV*4217A**	58MEB080-12	35,000	12.7	15.0
3251717	24ABB436(A,W)30	CNPV*4217A**	58MEB080-16	35,000	12.7	15.0
3251711	24ABB436(A,W)30	CNPV*4217A**	58MV(B,C)060-14	35,000	12.7	15.0
3251713	24ABB436(A,W)30	CNPV*4217A**	58PH*070-16	35,000	12.5	14.5
3251710	24ABB436(A,W)30	CNPV*4217A**+TDR		35,800	12.0	14.0
3251644	24ABB436(A,W)30	CNPV*4221A**	58CV(A,X)110-20	35,400	13.0	15.0
3251718	24ABB436(A,W)30	CNPV*4221A**	58MEB100-20	35,000	12.7	15.0
3251643	24ABB436(A,W)30	CNPV*4221A**	58MV(B,C)080-14	35,400	13.0	16.0
3251680	24ABB436(A,W)30	CNPV*4221A**	58PH*090-16	35,600	12.5	15.0
3251681	24ABB436(A,W)30	CNPV*4221A**	58PH*110-20	35,800	12.5	15.5
3251642	24ABB436(A,W)30	CNPV*4221A**+TDR		35,800	12.0	14.0
3315155	24ABB436(A,W)30	CNPV*4821A**	58CV(A,X)090-16	35,800	13.0	16.0
3315156	24ABB436(A,W)30	CNPV*4821A**	58CV(A,X)110-20	35,800	13.0	16.0
3319686	24ABB436(A,W)30	CNPV*4821A**	58MEB040-12	35,800	13.0	16.0
3319687	24ABB436(A,W)30	CNPV*4821A**	58MEB060-12	35,800	13.0	16.0
3315159	24ABB436(A,W)30	CNPV*4821A**	58MEB080-12	35,800	13.0	16.0
3315160	24ABB436(A,W)30	CNPV*4821A**	58MEB080-16	35,800	13.0	16.0
3315161	24ABB436(A,W)30	CNPV*4821A**	58MEB100-20	35,800	13.0	16.0
3319683	24ABB436(A,W)30	CNPV*4821A**	58MV(B,C)060-14	35,800	13.0	16.0
3319684	24ABB436(A,W)30	CNPV*4821A**	58MV(B,C)080-20	35,800	13.0	16.0
3319685	24ABB436(A,W)30	CNPV*4821A**	58MV(B,C)100-20	35,800	13.0	16.0
3315154	24ABB436(A,W)30	CNPV*4821A**	58MV(B,C)120-20	35,800	13.0	16.0
3315157	24ABB436(A,W)30	CNPV*4821A**	58PH*090-16	35,800	13.0	16.0
3315158	24ABB436(A,W)30	CNPV*4821A**	58PH*110-20	35,800	13.0	16.0
3379067	24ABB436(A,W)30	CNPV*4821A**	58VLR120-20	35,800	13.0	16.0
3379066	24ABB436(A,W)30	CNPV*4821A**	58VMR120-20	35,200	13.0	16.0
3315163	24ABB436(A,W)30	CNPV*4824A**	58CV(A,X)110-20	35,800	13.0	16.0
3315164	24ABB436(A,W)30	CNPV*4824A**	58CV(A,X)135-22	35,800	13.0	16.0
3315167	24ABB436(A,W)30	CNPV*4824A**	58MEB100-20	35,800	13.0	16.0
3319688	24ABB436(A,W)30	CNPV*4824A**	58MV(B,C)080-20	35,800	13.0	16.0
3319689	24ABB436(A,W)30	CNPV*4824A**	58MV(B,C)100-20	35,800	13.0	16.0
3315162	24ABB436(A,W)30	CNPV*4824A**	58MV(B,C)120-20	35,800	13.0	16.0
3315165	24ABB436(A,W)30	CNPV*4824A**	58PH*090-16	35,800	13.0	16.0
3315166	24ABB436(A,W)30	CNPV*4824A**	58PH*110-20	35,800	13.0	16.0
3379069	24ABB436(A,W)30	CNPV*4824A**	58VLR120-20	35,800	13.0	16.0
3379068	24ABB436(A,W)30	CNPV*4824A**	58VMR120-20	35,000	12.5	15.5
3315214	24ABB436(A,W)30	CNPV*6024A**	58CV(A,X)110-20	35,800	13.0	16.0
3315215	24ABB436(A,W)30	CNPV*6024A**	58CV(A,X)135-22	35,800	13.0	16.0
3315218	24ABB436(A,W)30	CNPV*6024A**	58MEB100-20	35,800	13.0	16.0
3315210	24ABB436(A,W)30	CNPV*6024A**	58MV(B,C)080-14	35,800	13.0	16.0
3315211	24ABB436(A,W)30	CNPV*6024A**	58MV(B,C)080-20	35,800	13.0	16.0
3315212	24ABB436(A,W)30	CNPV*6024A**	58MV(B,C)100-20	35,800	13.0	16.0
3315213	24ABB436(A,W)30	CNPV*6024A**	58MV(B,C)120-20	35,800	13.0	16.0
3315209	24ABB436(A,W)30	CNPV*6024A**	58MVB040-14	35,800	13.0	16.0
3315216	24ABB436(A,W)30	CNPV*6024A**	58PH*090-16	35,800	13.0	16.0
3315217	24ABB436(A,W)30	CNPV*6024A**	58PH*110-20	35,800	13.0	16.0
3379071	24ABB436(A,W)30	CNPV*6024A**	58VLR120-20	35,800	13.0	16.0
3379070	24ABB436(A,W)30	CNPV*6024A**	58VMR120-20	35,800	13.0	16.0
3251656	24ABB436(A,W)30	CSPH*3612A**	58CV(A,X)070-12	35,000	12.0	15.0
3251729	24ABB436(A,W)30	CSPH*3612A**	58MEB040-12	35,000	12.7	15.0
3251730	24ABB436(A,W)30	CSPH*3612A**	58MEB060-12	35,000	12.7	15.0
3251731	24ABB436(A,W)30	CSPH*3612A**	58MEB080-12	35,000	12.7	15.0
3251732	24ABB436(A,W)30	CSPH*3612A**	58MEB080-16	35,000	12.7	15.0
3251733	24ABB436(A,W)30	CSPH*3612A**	58MEB100-20	35,000	12.7	15.0
3251655	24ABB436(A,W)30	CSPH*3612A**	58MV(B,C)040-14	35,000	12.5	15.0
3251690	24ABB436(A,W)30	CSPH*3612A**	58PH*045-08	35,000	12.0	14.0
3251691	24ABB436(A,W)30	CSPH*3612A**	58PH*070-16	35,000	12.2	14.5
3251692	24ABB436(A,W)30	CSPH*3612A**	58PH*090-16	35,200	12.5	15.3
3251693	24ABB436(A,W)30	CSPH*3612A**	58PH*110-20	35,400	12.5	15.5
3251654	24ABB436(A,W)30	CSPH*3612A**+TDR		35,000	12.2	14.0

24ABB4

See notes on page 31

COMBINATION RATINGS CONTINUED

ARI Ref. No.	Model Number	Indoor Model	Furnace Model	Capacity	EER	SEER
3251660	24ABB436(A,W)30	CSPH*4212A**	58CV(A,X)070-12	35,400	12.5	15.0
3251734	24ABB436(A,W)30	CSPH*4212A**	58MEB040-12	35,000	12.7	15.0
3251735	24ABB436(A,W)30	CSPH*4212A**	58MEB060-12	35,000	12.7	15.0
3251736	24ABB436(A,W)30	CSPH*4212A**	58MEB080-12	35,000	12.7	15.0
3251737	24ABB436(A,W)30	CSPH*4212A**	58MEB080-16	35,000	12.7	15.0
3251738	24ABB436(A,W)30	CSPH*4212A**	58MEB100-20	35,000	12.7	15.0
3251658	24ABB436(A,W)30	CSPH*4212A**	58MV(B,C)040-14	35,200	12.5	15.0
3251659	24ABB436(A,W)30	CSPH*4212A**	58MV(B,C)120-20	35,400	12.5	15.0
3251694	24ABB436(A,W)30	CSPH*4212A**	58PH*045-08	35,400	12.0	14.0
3251695	24ABB436(A,W)30	CSPH*4212A**	58PH*070-16	35,400	12.2	14.8
3251696	24ABB436(A,W)30	CSPH*4212A**	58PH*090-16	35,600	12.5	15.5
3251697	24ABB436(A,W)30	CSPH*4212A**	58PH*110-20	35,800	12.5	15.5
3251657	24ABB436(A,W)30	CSPH*4212A**+TDR		35,800	12.0	14.0
3315178	24ABB436(A,W)30	CSPH*4812A**	58CV(A,X)090-16	35,800	13.0	16.0
3315179	24ABB436(A,W)30	CSPH*4812A**	58CV(A,X)110-20	35,800	13.0	16.0
3315180	24ABB436(A,W)30	CSPH*4812A**	58CV(A,X)135-22	35,800	13.0	16.0
3315181	24ABB436(A,W)30	CSPH*4812A**	58CV(A,X)155-22	35,800	13.0	16.0
3315184	24ABB436(A,W)30	CSPH*4812A**	58MEB040-12	35,800	13.0	16.0
3319666	24ABB436(A,W)30	CSPH*4812A**	58MEB060-12	35,800	13.0	16.0
3319667	24ABB436(A,W)30	CSPH*4812A**	58MEB080-12	35,800	13.0	16.0
3319668	24ABB436(A,W)30	CSPH*4812A**	58MEB080-16	35,800	13.0	16.0
3315185	24ABB436(A,W)30	CSPH*4812A**	58MEB100-20	35,800	13.0	16.0
3319664	24ABB436(A,W)30	CSPH*4812A**	58MV(B,C)060-14	35,800	13.0	16.0
3319665	24ABB436(A,W)30	CSPH*4812A**	58MV(B,C)100-20	35,800	13.0	16.0
3315177	24ABB436(A,W)30	CSPH*4812A**	58MV(B,C)120-20	35,800	13.0	16.0
3247508	24ABB436(A,W)30	CSPH*4812A**	58PH*070-16	36,000	12.5	15.0
3315182	24ABB436(A,W)30	CSPH*4812A**	58PH*090-16	35,800	13.0	16.0
3315183	24ABB436(A,W)30	CSPH*4812A**	58PH*110-20	35,800	13.0	16.0
3379077	24ABB436(A,W)30	CSPH*4812A**	58VLR120-20	35,800	13.0	16.0
3379076	24ABB436(A,W)30	CSPH*4812A**	58VMR120-20	35,800	12.5	15.5
3315238	24ABB436(A,W)30	CSPH*6012A**	58CV(A,X)090-16	35,800	13.0	16.0
3315239	24ABB436(A,W)30	CSPH*6012A**	58CV(A,X)110-20	35,800	13.0	16.0
3315240	24ABB436(A,W)30	CSPH*6012A**	58CV(A,X)135-22	35,800	13.0	16.0
3315243	24ABB436(A,W)30	CSPH*6012A**	58MEB040-12	35,800	13.0	16.0
3315244	24ABB436(A,W)30	CSPH*6012A**	58MEB060-12	35,800	13.0	16.0
3315245	24ABB436(A,W)30	CSPH*6012A**	58MEB080-12	35,800	13.0	16.0
3315246	24ABB436(A,W)30	CSPH*6012A**	58MEB080-16	35,800	13.0	16.0
3315247	24ABB436(A,W)30	CSPH*6012A**	58MEB100-20	35,800	13.0	16.0
3315234	24ABB436(A,W)30	CSPH*6012A**	58MV(B,C)060-14	35,800	13.0	16.0
3319671	24ABB436(A,W)30	CSPH*6012A**	58MV(B,C)080-14	35,800	13.0	16.0
3315235	24ABB436(A,W)30	CSPH*6012A**	58MV(B,C)080-20	35,800	13.0	16.0
3315236	24ABB436(A,W)30	CSPH*6012A**	58MV(B,C)100-20	35,800	13.0	16.0
3315237	24ABB436(A,W)30	CSPH*6012A**	58MV(B,C)120-20	35,800	13.0	16.0
3315241	24ABB436(A,W)30	CSPH*6012A**	58PH*090-16	35,800	13.0	16.0
3315242	24ABB436(A,W)30	CSPH*6012A**	58PH*110-20	35,800	13.0	16.0
3379079	24ABB436(A,W)30	CSPH*6012A**	58VLR120-20	35,800	13.0	16.0
3379078	24ABB436(A,W)30	CSPH*6012A**	58VMR120-20	35,800	13.0	16.0
3251665	24ABB436(A,W)30	FF1ENP036		35,000	12.0	14.0
3457543	24ABB436(A,W)30	FF1ENP037		35,000	12.2	14.5
3251667	24ABB436(A,W)30	FV4BN(B,F)003		35,400	13.0	15.0
3251668	24ABB436(A,W)30	FV4BN(B,F)005		36,600	13.0	16.0
3251669	24ABB436(A,W)30	FV4BNB006		37,000	13.5	15.0
3251666	24ABB436(A,W)30	FV4BNF002		35,200	12.5	15.0
3404591	24ABB436(A,W)30	FV4CN(B,F)003		35,400	13.0	15.0
3404592	24ABB436(A,W)30	FV4CN(B,F)005		36,600	13.0	16.0
3404593	24ABB436(A,W)30	FV4CNB006		37,000	13.5	15.0
3404590	24ABB436(A,W)30	FV4CNF002		35,200	12.5	15.0
3251663	24ABB436(A,W)30	FX4CN(B,F)036		36,000	12.5	15.0
3251664	24ABB436(A,W)30	FX4CN(B,F)042		36,600	13.0	15.0
3251661	24ABB436(A,W)30	FY4ANF036		34,800	11.5	14.0
3251662	24ABB436(A,W)30	FY4ANF042		36,000	11.5	14.0
3251740	24ABB442(A,W)30	†CAP**4821A**+TDR		40,500	12.0	14.0
3251792	24ABB442(A,W)30	CAP**4221A**	58CV(A,X)110-20	39,500	12.2	14.5
3251744	24ABB442(A,W)30	CAP**4221A**	58MEB100-20	40,000	12.7	15.0
3251789	24ABB442(A,W)30	CAP**4221A**	58MV(B,C)080-14	39,000	12.0	14.0
3251790	24ABB442(A,W)30	CAP**4221A**	58MV(B,C)080-20	39,500	12.2	14.5
3251791	24ABB442(A,W)30	CAP**4221A**	58MV(B,C)100-20	39,500	12.2	14.5
3251885	24ABB442(A,W)30	CAP**4221A**	58PH*090-16	39,500	12.2	15.0
3251886	24ABB442(A,W)30	CAP**4221A**	58PH*110-20	40,000	12.5	15.0
3251788	24ABB442(A,W)30	CAP**4221A**+TDR		40,000	11.7	13.5
3251796	24ABB442(A,W)30	CAP**4224A**	58CV(A,X)135-22	39,500	12.5	15.0
3251797	24ABB442(A,W)30	CAP**4224A**	58CV(A,X)155-22	39,500	12.5	15.0
3251745	24ABB442(A,W)30	CAP**4224A**	58MEB120-20	40,000	13.0	15.0
3251794	24ABB442(A,W)30	CAP**4224A**	58MV(B,C)040-14	39,000	12.2	14.5
3251795	24ABB442(A,W)30	CAP**4224A**	58MV(B,C)120-20	39,500	12.2	14.5
3251887	24ABB442(A,W)30	CAP**4224A**	58PH*135-20	40,000	12.2	15.0
3251793	24ABB442(A,W)30	CAP**4224A**+TDR		40,000	11.7	13.5
3251800	24ABB442(A,W)30	CAP**4817A**	58CV(A,X)090-16	39,500	12.5	15.0

See notes on page 31

COMBINATION RATINGS CONTINUED

ARI Ref. No.	Model Number	Indoor Model	Furnace Model	Capacity	EER	SEER
3251746	24ABB442(A,W)30	CAP**4817A**	58MEB040-12	40,000	12.7	15.0
3251747	24ABB442(A,W)30	CAP**4817A**	58MEB060-12	40,000	12.7	15.0
3251748	24ABB442(A,W)30	CAP**4817A**	58MEB080-12	40,000	12.7	15.0
3251749	24ABB442(A,W)30	CAP**4817A**	58MEB080-16	40,000	12.7	15.0
3251799	24ABB442(A,W)30	CAP**4817A**	58MV(B,C)060-14	39,000	12.2	14.5
3251888	24ABB442(A,W)30	CAP**4817A**	58PH*070-16	40,500	12.0	14.0
3379081	24ABB442(A,W)30	CAP**4817A**	58VLR120-20	40,000	12.5	15.5
3379080	24ABB442(A,W)30	CAP**4817A**	58VMR120-20	40,000	12.5	15.5
3251798	24ABB442(A,W)30	CAP**4817A**+TDR		39,500	12.0	14.0
3251804	24ABB442(A,W)30	CAP**4821A**	58CV(A,X)110-20	40,000	12.5	15.0
3251750	24ABB442(A,W)30	CAP**4821A**	58MEB100-20	40,000	13.0	15.0
3251801	24ABB442(A,W)30	CAP**4821A**	58MV(B,C)080-14	40,000	12.2	14.5
3251802	24ABB442(A,W)30	CAP**4821A**	58MV(B,C)080-20	40,000	12.2	14.5
3251803	24ABB442(A,W)30	CAP**4821A**	58MV(B,C)100-20	40,000	12.5	15.0
3251889	24ABB442(A,W)30	CAP**4821A**	58PH*090-16	40,500	12.5	15.0
3251890	24ABB442(A,W)30	CAP**4821A**	58PH*110-20	40,500	12.5	15.0
3379083	24ABB442(A,W)30	CAP**4821A**	58VLR120-20	40,000	12.5	15.5
3379082	24ABB442(A,W)30	CAP**4821A**	58VMR120-20	40,000	12.5	15.5
3379122	24ABB442(A,W)30	CAP**4823A**	58HDV080--20	40,500	12.5	15.0
3379123	24ABB442(A,W)30	CAP**4823A**	58HDV100--20	40,000	12.5	15.3
3251808	24ABB442(A,W)30	CAP**4824A**	58CV(A,X)135-22	40,000	12.5	15.0
3251809	24ABB442(A,W)30	CAP**4824A**	58CV(A,X)155-22	40,000	12.5	15.0
3251751	24ABB442(A,W)30	CAP**4824A**	58MEB120-20	40,000	13.0	15.0
3251806	24ABB442(A,W)30	CAP**4824A**	58MV(B,C)040-14	40,000	12.2	14.5
3251807	24ABB442(A,W)30	CAP**4824A**	58MV(B,C)120-20	40,000	12.5	15.0
3251891	24ABB442(A,W)30	CAP**4824A**	58PH*135-20	40,500	12.5	15.0
3379085	24ABB442(A,W)30	CAP**4824A**	58VLR120-20	40,000	12.5	15.5
3379084	24ABB442(A,W)30	CAP**4824A**	58VMR120-20	40,000	12.5	15.5
3251805	24ABB442(A,W)30	CAP**4824A**+TDR		40,500	12.0	14.0
3319731	24ABB442(A,W)30	CAP**6021A**	58CV(A,X)110-20	41,000	13.0	16.0
3319732	24ABB442(A,W)30	CAP**6021A**	58CV(A,X)135-22	41,000	13.0	16.0
3319733	24ABB442(A,W)30	CAP**6021A**	58CV(A,X)155-22	41,000	13.0	16.0
3319737	24ABB442(A,W)30	CAP**6021A**	58MEB100-20	41,000	13.0	16.0
3319738	24ABB442(A,W)30	CAP**6021A**	58MEB120-20	41,000	13.0	16.0
3319734	24ABB442(A,W)30	CAP**6021A**	58PH*090-16	41,000	13.0	16.0
3319735	24ABB442(A,W)30	CAP**6021A**	58PH*110-20	41,000	13.0	16.0
3319736	24ABB442(A,W)30	CAP**6021A**	58PH*135-20	41,000	13.0	16.0
3379087	24ABB442(A,W)30	CAP**6021A**	58VLR120-20	40,500	13.0	16.0
3379086	24ABB442(A,W)30	CAP**6021A**	58VMR120-20	40,500	13.0	15.5
3319740	24ABB442(A,W)30	CAP**6024A**	58CV(A,X)110-20	41,000	13.0	16.0
3319741	24ABB442(A,W)30	CAP**6024A**	58CV(A,X)135-22	41,000	13.0	16.0
3319742	24ABB442(A,W)30	CAP**6024A**	58CV(A,X)155-22	41,000	13.0	16.0
3319746	24ABB442(A,W)30	CAP**6024A**	58MEB100-20	41,000	13.0	16.0
3319747	24ABB442(A,W)30	CAP**6024A**	58MEB120-20	41,000	13.0	16.0
3319739	24ABB442(A,W)30	CAP**6024A**	58MV(B,C)120-20	41,000	13.0	16.0
3319743	24ABB442(A,W)30	CAP**6024A**	58PH*090-16	41,000	13.0	16.0
3319744	24ABB442(A,W)30	CAP**6024A**	58PH*110-20	41,000	13.0	16.0
3319745	24ABB442(A,W)30	CAP**6024A**	58PH*135-20	41,000	13.0	16.0
3379089	24ABB442(A,W)30	CAP**6024A**	58VLR120-20	40,500	13.0	16.0
3379088	24ABB442(A,W)30	CAP**6024A**	58VMR120-20	40,500	13.0	15.5
3379124	24ABB442(A,W)30	CAP**6025A**	58HDV100--20	41,000	13.0	16.0
3379125	24ABB442(A,W)30	CAP**6025A**	58VMR120-20	40,500	12.5	15.5
3251849	24ABB442(A,W)30	CNPF*4818A**+TDR		39,500	11.5	14.0
3251832	24ABB442(A,W)30	CNPH*4221A**	58CV(A,X)070-12	39,500	12.0	14.0
3251833	24ABB442(A,W)30	CNPH*4221A**	58CV(A,X)090-16	39,500	12.2	14.5
3251834	24ABB442(A,W)30	CNPH*4221A**	58CV(A,X)110-20	39,500	12.2	14.5
3251835	24ABB442(A,W)30	CNPH*4221A**	58CV(A,X)135-22	39,500	12.5	15.0
3251836	24ABB442(A,W)30	CNPH*4221A**	58CV(A,X)155-22	39,500	12.5	15.0
3251763	24ABB442(A,W)30	CNPH*4221A**	58MEB040-12	40,000	12.5	14.5
3251764	24ABB442(A,W)30	CNPH*4221A**	58MEB060-12	40,000	12.5	14.5
3251765	24ABB442(A,W)30	CNPH*4221A**	58MEB080-12	40,000	12.5	14.5
3251766	24ABB442(A,W)30	CNPH*4221A**	58MEB080-16	39,500	12.5	14.5
3251767	24ABB442(A,W)30	CNPH*4221A**	58MEB100-20	39,500	12.5	15.0
3251768	24ABB442(A,W)30	CNPH*4221A**	58MEB120-20	40,000	12.7	15.0
3251826	24ABB442(A,W)30	CNPH*4221A**	58MV(B,C)040-14	39,500	12.0	14.0
3251827	24ABB442(A,W)30	CNPH*4221A**	58MV(B,C)060-14	39,500	12.2	14.5
3251828	24ABB442(A,W)30	CNPH*4221A**	58MV(B,C)080-14	39,000	12.0	14.0
3251829	24ABB442(A,W)30	CNPH*4221A**	58MV(B,C)080-20	39,500	12.2	14.5
3251830	24ABB442(A,W)30	CNPH*4221A**	58MV(B,C)100-20	39,500	12.2	14.5
3251831	24ABB442(A,W)30	CNPH*4221A**	58MV(B,C)120-20	39,500	12.2	14.5
3251897	24ABB442(A,W)30	CNPH*4221A**	58PH*070-16	39,500	11.7	13.5
3251898	24ABB442(A,W)30	CNPH*4221A**	58PH*090-16	39,500	12.2	15.0
3251899	24ABB442(A,W)30	CNPH*4221A**	58PH*110-20	39,500	12.2	15.0
3251900	24ABB442(A,W)30	CNPH*4221A**	58PH*135-20	39,500	12.2	15.0
3379096	24ABB442(A,W)30	CNPH*4221A**	58VLR120-20	40,000	12.5	15.0
3251825	24ABB442(A,W)30	CNPH*4221A**+TDR		40,000	11.7	13.5
3251844	24ABB442(A,W)30	CNPH*4821A**	58CV(A,X)070-12	40,000	12.2	14.5
3251845	24ABB442(A,W)30	CNPH*4821A**	58CV(A,X)090-16	40,000	12.5	15.0
3251846	24ABB442(A,W)30	CNPH*4821A**	58CV(A,X)110-20	40,500	12.5	15.0

24ABB4

See notes on page 31

COMBINATION RATINGS CONTINUED

ARI Ref. No.	Model Number	Indoor Model	Furnace Model	Capacity	EER	SEER
3251847	24ABB442(A,W)30	CNPH*4821A**	58CV(A,X)135-22	40,500	12.5	15.0
3251848	24ABB442(A,W)30	CNPH*4821A**	58CV(A,X)155-22	40,500	12.5	15.0
3251769	24ABB442(A,W)30	CNPH*4821A**	58MEB040-12	40,000	12.7	15.0
3251770	24ABB442(A,W)30	CNPH*4821A**	58MEB060-12	40,000	12.7	15.0
3251771	24ABB442(A,W)30	CNPH*4821A**	58MEB080-12	40,000	12.7	15.0
3251772	24ABB442(A,W)30	CNPH*4821A**	58MEB080-16	40,000	12.7	15.0
3251773	24ABB442(A,W)30	CNPH*4821A**	58MEB100-20	40,000	13.0	15.0
3251774	24ABB442(A,W)30	CNPH*4821A**	58MEB120-20	40,000	13.0	15.0
3251838	24ABB442(A,W)30	CNPH*4821A**	58MV(B,C)040-14	40,000	12.2	14.5
3251839	24ABB442(A,W)30	CNPH*4821A**	58MV(B,C)060-14	40,000	12.5	15.0
3251840	24ABB442(A,W)30	CNPH*4821A**	58MV(B,C)080-14	40,000	12.2	14.5
3251841	24ABB442(A,W)30	CNPH*4821A**	58MV(B,C)080-20	40,000	12.2	14.5
3251842	24ABB442(A,W)30	CNPH*4821A**	58MV(B,C)100-20	40,000	12.5	15.0
3251843	24ABB442(A,W)30	CNPH*4821A**	58MV(B,C)120-20	40,000	12.5	15.0
3251901	24ABB442(A,W)30	CNPH*4821A**	58PH*070-16	40,500	12.0	14.0
3251902	24ABB442(A,W)30	CNPH*4821A**	58PH*090-16	40,500	12.5	15.0
3251903	24ABB442(A,W)30	CNPH*4821A**	58PH*110-20	40,500	12.5	15.0
3251904	24ABB442(A,W)30	CNPH*4821A**	58PH*135-20	40,500	12.5	15.0
3379098	24ABB442(A,W)30	CNPH*4821A**	58VLR120-20	40,000	12.5	15.5
3379097	24ABB442(A,W)30	CNPH*4821A**	58VMR120-20	40,000	12.5	15.5
3251837	24ABB442(A,W)30	CNPH*4821A**+TDR		40,500	12.0	14.0
3319758	24ABB442(A,W)30	CNPH*6024A**	58CV(A,X)090-16	41,000	13.0	16.0
3319759	24ABB442(A,W)30	CNPH*6024A**	58CV(A,X)110-20	41,000	13.0	16.0
3319760	24ABB442(A,W)30	CNPH*6024A**	58CV(A,X)135-22	41,000	13.0	16.0
3319761	24ABB442(A,W)30	CNPH*6024A**	58CV(A,X)155-22	41,000	13.0	16.0
3319765	24ABB442(A,W)30	CNPH*6024A**	58MEB100-20	41,000	13.0	16.0
3319766	24ABB442(A,W)30	CNPH*6024A**	58MEB120-20	41,000	13.0	16.0
3247512	24ABB442(A,W)30	CNPH*6024A**	58MV(B,C)060-14	40,500	12.5	15.0
3247513	24ABB442(A,W)30	CNPH*6024A**	58MV(B,C)080-14	40,500	12.5	15.0
3319757	24ABB442(A,W)30	CNPH*6024A**	58MV(B,C)120-20	41,000	13.0	16.0
3247511	24ABB442(A,W)30	CNPH*6024A**	58MV(B,C)040-14	40,500	12.5	15.0
3247514	24ABB442(A,W)30	CNPH*6024A**	58PH*070-16	40,000	12.5	15.0
3319762	24ABB442(A,W)30	CNPH*6024A**	58PH*090-16	41,000	13.0	16.0
3319763	24ABB442(A,W)30	CNPH*6024A**	58PH*110-20	41,000	13.0	16.0
3319764	24ABB442(A,W)30	CNPH*6024A**	58PH*135-20	41,000	13.0	16.0
3379100	24ABB442(A,W)30	CNPH*6024A**	58VLR120-20	40,500	13.0	16.0
3379099	24ABB442(A,W)30	CNPH*6024A**	58VMR120-20	40,500	13.0	16.0
3251754	24ABB442(A,W)30	CNPV*4217A**	58CV(A,X)090-16	40,000	12.7	15.0
3251756	24ABB442(A,W)30	CNPV*4217A**	58MEB040-12	40,000	12.5	14.5
3251757	24ABB442(A,W)30	CNPV*4217A**	58MEB060-12	40,000	12.5	14.5
3251758	24ABB442(A,W)30	CNPV*4217A**	58MEB080-12	40,000	12.5	14.5
3251759	24ABB442(A,W)30	CNPV*4217A**	58MEB080-16	40,000	12.5	14.5
3251753	24ABB442(A,W)30	CNPV*4217A**	58MV(B,C)060-14	40,000	12.5	14.5
3251755	24ABB442(A,W)30	CNPV*4217A**	58PH*070-16	40,000	12.0	14.0
3251752	24ABB442(A,W)30	CNPV*4217A**+TDR		40,000	12.0	14.0
3251814	24ABB442(A,W)30	CNPV*4221A**	58CV(A,X)110-20	39,500	12.2	14.5
3251760	24ABB442(A,W)30	CNPV*4221A**	58MEB100-20	40,000	12.5	15.0
3251811	24ABB442(A,W)30	CNPV*4221A**	58MV(B,C)080-14	39,000	12.0	14.0
3251812	24ABB442(A,W)30	CNPV*4221A**	58MV(B,C)080-20	39,500	12.2	14.5
3251813	24ABB442(A,W)30	CNPV*4221A**	58MV(B,C)100-20	39,500	12.2	14.5
3251892	24ABB442(A,W)30	CNPV*4221A**	58PH*090-16	39,500	12.2	15.0
3251893	24ABB442(A,W)30	CNPV*4221A**	58PH*110-20	39,500	12.2	15.0
3251810	24ABB442(A,W)30	CNPV*4221A**+TDR		40,000	11.7	13.5
3251819	24ABB442(A,W)30	CNPV*4821A**	58CV(A,X)110-20	40,500	12.5	15.0
3251787	24ABB442(A,W)30	CNPV*4821A**	58MEB080-16	40,000	12.5	15.0
3251761	24ABB442(A,W)30	CNPV*4821A**	58MEB100-20	40,000	13.0	15.0
3251816	24ABB442(A,W)30	CNPV*4821A**	58MV(B,C)080-14	40,000	12.2	14.5
3251817	24ABB442(A,W)30	CNPV*4821A**	58MV(B,C)080-20	40,000	12.2	14.5
3251818	24ABB442(A,W)30	CNPV*4821A**	58MV(B,C)100-20	40,000	12.5	15.0
3251894	24ABB442(A,W)30	CNPV*4821A**	58PH*090-16	40,500	12.5	15.0
3251895	24ABB442(A,W)30	CNPV*4821A**	58PH*110-20	40,500	12.5	15.0
3379091	24ABB442(A,W)30	CNPV*4821A**	58VLR120-20	40,000	12.5	15.5
3379090	24ABB442(A,W)30	CNPV*4821A**	58VMR120-20	40,000	12.5	15.5
3251815	24ABB442(A,W)30	CNPV*4821A**+TDR		40,500	12.0	14.0
3251823	24ABB442(A,W)30	CNPV*4824A**	58CV(A,X)135-22	40,500	12.5	15.0
3251824	24ABB442(A,W)30	CNPV*4824A**	58CV(A,X)155-22	40,500	12.5	15.0
3251762	24ABB442(A,W)30	CNPV*4824A**	58MEB120-20	40,000	13.0	15.0
3251821	24ABB442(A,W)30	CNPV*4824A**	58MV(B,C)040-14	40,000	12.2	14.5
3251822	24ABB442(A,W)30	CNPV*4824A**	58MV(B,C)120-20	40,000	12.5	15.0
3251896	24ABB442(A,W)30	CNPV*4824A**	58PH*135-20	40,500	12.5	15.0
3379093	24ABB442(A,W)30	CNPV*4824A**	58VLR120-20	40,000	12.5	15.5
3379092	24ABB442(A,W)30	CNPV*4824A**	58VMR120-20	40,000	12.5	15.5
3251820	24ABB442(A,W)30	CNPV*4824A**+TDR		40,500	12.0	14.0
3319749	24ABB442(A,W)30	CNPV*6024A**	58CV(A,X)110-20	41,000	13.0	16.0
3319750	24ABB442(A,W)30	CNPV*6024A**	58CV(A,X)135-22	41,000	13.0	16.0
3319751	24ABB442(A,W)30	CNPV*6024A**	58CV(A,X)155-22	41,000	13.0	16.0
3319755	24ABB442(A,W)30	CNPV*6024A**	58MEB100-20	41,000	13.0	16.0
3319756	24ABB442(A,W)30	CNPV*6024A**	58MEB120-20	41,000	13.0	16.0
3247509	24ABB442(A,W)30	CNPV*6024A**	58MV(B,C)080-14	40,500	12.5	15.0

See notes on page 31

COMBINATION RATINGS CONTINUED

ARI Ref. No.	Model Number	Indoor Model	Furnace Model	Capacity	EER	SEER
3319748	24ABB442(A,W)30	CNPV*6024A**	58MV(B,C)120-20	41,000	13.0	16.0
3247510	24ABB442(A,W)30	CNPV*6024A**	58MV(B,C)040-14	40,500	12.5	15.0
3319752	24ABB442(A,W)30	CNPV*6024A**	58PH*090-16	41,000	13.0	16.0
3319753	24ABB442(A,W)30	CNPV*6024A**	58PH*110-20	41,000	13.0	16.0
3319754	24ABB442(A,W)30	CNPV*6024A**	58PH*135-20	41,000	13.0	16.0
3379095	24ABB442(A,W)30	CNPV*6024A**	58VLR120-20	40,500	13.0	16.0
3379094	24ABB442(A,W)30	CNPV*6024A**	58VMR120-20	40,500	13.0	16.0
3251857	24ABB442(A,W)30	CSPH*4212A**	58CV(A,X)070-12	39,500	12.2	14.5
3251858	24ABB442(A,W)30	CSPH*4212A**	58CV(A,X)090-16	40,000	12.2	14.5
3251859	24ABB442(A,W)30	CSPH*4212A**	58CV(A,X)110-20	40,000	12.2	14.5
3251860	24ABB442(A,W)30	CSPH*4212A**	58CV(A,X)135-22	40,000	12.5	15.0
3251861	24ABB442(A,W)30	CSPH*4212A**	58CV(A,X)155-22	40,000	12.5	15.0
3251775	24ABB442(A,W)30	CSPH*4212A**	58MEB040-12	40,000	12.7	15.0
3251776	24ABB442(A,W)30	CSPH*4212A**	58MEB060-12	40,000	12.7	15.0
3251777	24ABB442(A,W)30	CSPH*4212A**	58MEB080-12	40,000	12.7	15.0
3251778	24ABB442(A,W)30	CSPH*4212A**	58MEB080-16	40,000	12.7	15.0
3251779	24ABB442(A,W)30	CSPH*4212A**	58MEB100-20	40,000	13.0	15.0
3251780	24ABB442(A,W)30	CSPH*4212A**	58MEB120-20	40,000	13.0	15.0
3251851	24ABB442(A,W)30	CSPH*4212A**	58MV(B,C)040-14	39,500	12.2	14.0
3251852	24ABB442(A,W)30	CSPH*4212A**	58MV(B,C)060-14	39,500	12.2	14.5
3251853	24ABB442(A,W)30	CSPH*4212A**	58MV(B,C)080-14	39,500	12.2	14.5
3251854	24ABB442(A,W)30	CSPH*4212A**	58MV(B,C)080-20	39,500	12.2	14.5
3251855	24ABB442(A,W)30	CSPH*4212A**	58MV(B,C)100-20	40,000	12.2	14.5
3251856	24ABB442(A,W)30	CSPH*4212A**	58MV(B,C)120-20	39,500	12.2	15.0
3251905	24ABB442(A,W)30	CSPH*4212A**	58PH*070-16	39,500	11.7	13.5
3251906	24ABB442(A,W)30	CSPH*4212A**	58PH*090-16	39,500	12.5	15.0
3251907	24ABB442(A,W)30	CSPH*4212A**	58PH*110-20	40,000	12.5	15.0
3251908	24ABB442(A,W)30	CSPH*4212A**	58PH*135-20	40,000	12.2	15.0
3251850	24ABB442(A,W)30	CSPH*4212A**+TDR		40,000	11.7	13.5
3251869	24ABB442(A,W)30	CSPH*4812A**	58CV(A,X)070-12	40,500	12.2	14.5
3251870	24ABB442(A,W)30	CSPH*4812A**	58CV(A,X)090-16	40,500	12.5	15.0
3251871	24ABB442(A,W)30	CSPH*4812A**	58CV(A,X)110-20	40,500	12.5	15.0
3251872	24ABB442(A,W)30	CSPH*4812A**	58CV(A,X)135-22	40,500	12.5	15.0
3251873	24ABB442(A,W)30	CSPH*4812A**	58CV(A,X)155-22	40,500	12.5	15.0
3251781	24ABB442(A,W)30	CSPH*4812A**	58MEB040-12	40,000	12.7	15.0
3251782	24ABB442(A,W)30	CSPH*4812A**	58MEB060-12	40,000	12.7	15.0
3251783	24ABB442(A,W)30	CSPH*4812A**	58MEB080-12	40,000	12.7	15.0
3251784	24ABB442(A,W)30	CSPH*4812A**	58MEB080-16	40,000	12.7	15.0
3251785	24ABB442(A,W)30	CSPH*4812A**	58MEB100-20	40,000	13.0	15.0
3251786	24ABB442(A,W)30	CSPH*4812A**	58MEB120-20	40,000	13.0	15.0
3251863	24ABB442(A,W)30	CSPH*4812A**	58MV(B,C)040-14	40,000	12.2	14.5
3251864	24ABB442(A,W)30	CSPH*4812A**	58MV(B,C)060-14	40,500	12.2	14.5
3251865	24ABB442(A,W)30	CSPH*4812A**	58MV(B,C)080-14	40,000	12.2	14.5
3251866	24ABB442(A,W)30	CSPH*4812A**	58MV(B,C)080-20	40,500	12.2	14.5
3251867	24ABB442(A,W)30	CSPH*4812A**	58MV(B,C)100-20	40,500	12.5	15.0
3251868	24ABB442(A,W)30	CSPH*4812A**	58MV(B,C)120-20	40,500	12.5	15.0
3251909	24ABB442(A,W)30	CSPH*4812A**	58PH*070-16	40,500	12.0	14.0
3251741	24ABB442(A,W)30	CSPH*4812A**	58PH*090-16	40,500	12.5	15.0
3251742	24ABB442(A,W)30	CSPH*4812A**	58PH*110-20	40,500	12.5	15.0
3251743	24ABB442(A,W)30	CSPH*4812A**	58PH*135-20	40,500	12.5	15.0
3379102	24ABB442(A,W)30	CSPH*4812A**	58VLR120-20	40,000	12.5	15.5
3379101	24ABB442(A,W)30	CSPH*4812A**	58VMR120-20	40,000	12.5	15.5
3251862	24ABB442(A,W)30	CSPH*4812A**+TDR		40,500	12.0	14.0
3319768	24ABB442(A,W)30	CSPH*6012A**	58CV(A,X)090-16	41,000	13.0	16.0
3319769	24ABB442(A,W)30	CSPH*6012A**	58CV(A,X)110-20	41,000	13.0	16.0
3319770	24ABB442(A,W)30	CSPH*6012A**	58CV(A,X)135-22	41,000	13.0	16.0
3319771	24ABB442(A,W)30	CSPH*6012A**	58CV(A,X)155-22	41,000	13.0	16.0
3319775	24ABB442(A,W)30	CSPH*6012A**	58MEB100-20	41,000	13.0	16.0
3319776	24ABB442(A,W)30	CSPH*6012A**	58MEB120-20	41,000	13.0	16.0
3247516	24ABB442(A,W)30	CSPH*6012A**	58MV(B,C)060-14	40,500	12.5	15.0
3247517	24ABB442(A,W)30	CSPH*6012A**	58MV(B,C)080-14	40,500	12.5	15.0
3319767	24ABB442(A,W)30	CSPH*6012A**	58MV(B,C)120-20	41,000	13.0	16.0
3247515	24ABB442(A,W)30	CSPH*6012A**	58MV(B,C)040-14	40,500	12.5	15.0
3247518	24ABB442(A,W)30	CSPH*6012A**	58PH*070-16	40,000	12.5	15.0
3319772	24ABB442(A,W)30	CSPH*6012A**	58PH*090-16	41,000	13.0	16.0
3319773	24ABB442(A,W)30	CSPH*6012A**	58PH*110-20	41,000	13.0	16.0
3319774	24ABB442(A,W)30	CSPH*6012A**	58PH*135-20	41,000	13.0	16.0
3379104	24ABB442(A,W)30	CSPH*6012A**	58VLR120-20	41,000	13.0	16.0
3379103	24ABB442(A,W)30	CSPH*6012A**	58VMR120-20	40,500	13.0	16.0
3251878	24ABB442(A,W)30	FE4AN(B,F)003+UI		39,500	12.5	15.0
3251879	24ABB442(A,W)30	FE4AN(B,F)005+UI		41,000	13.0	15.5
3251880	24ABB442(A,W)30	FE4ANB006+UI		41,500	13.0	15.5
3251881	24ABB442(A,W)30	FE5ANB004+UI		41,500	13.0	15.5
3251882	24ABB442(A,W)30	FV4BN(B,F)003		39,500	12.5	15.0
3251883	24ABB442(A,W)30	FV4BN(B,F)005		41,000	13.0	15.5
3251884	24ABB442(A,W)30	FV4BNB006		41,500	13.0	15.5
3404594	24ABB442(A,W)30	FV4CN(B,F)003		39,500	12.5	15.0
3404595	24ABB442(A,W)30	FV4CN(B,F)005		41,000	13.0	15.5
3404596	24ABB442(A,W)30	FV4CNB006		41,500	13.0	15.5

24ABB4

COMBINATION RATINGS CONTINUED

ARI Ref. No.	Model Number	Indoor Model	Furnace Model	Capacity	EER	SEER
3251876	24ABB442(A,W)30	FX4CN(B,F)042		40,500	12.2	14.5
3251877	24ABB442(A,W)30	FX4CN(B,F)048		41,500	12.5	15.0
3251874	24ABB442(A,W)30	FY4ANF042		40,000	11.7	13.5
3251875	24ABB442(A,W)30	FY4ANF048		41,000	12.0	14.0
3251910	24ABB448(A,W)30	†CAP**6024A**+TDR		48,000	11.7	14.0
3251949	24ABB448(A,W)30	CAP**4817A**	58CV(A,X)090-16	46,500	12.0	14.0
3251911	24ABB448(A,W)30	CAP**4817A**	58MEB080-16	47,000	12.0	14.5
3251926	24ABB448(A,W)30	CAP**4817A**	58PH*070-16	46,000	11.2	13.5
3251948	24ABB448(A,W)30	CAP**4817A**+TDR		46,500	11.7	13.5
3251953	24ABB448(A,W)30	CAP**4821A**	58CV(A,X)110-20	46,500	12.0	14.5
3251912	24ABB448(A,W)30	CAP**4821A**	58MEB100-20	47,000	12.0	14.5
3251951	24ABB448(A,W)30	CAP**4821A**	58MV(B,C)080-20	46,500	11.7	14.0
3251952	24ABB448(A,W)30	CAP**4821A**	58MV(B,C)100-20	46,500	12.0	14.0
3251927	24ABB448(A,W)30	CAP**4821A**	58PH*090-16	47,000	12.0	14.5
3251928	24ABB448(A,W)30	CAP**4821A**	58PH*110-20	47,000	12.2	14.5
3251950	24ABB448(A,W)30	CAP**4821A**+TDR		47,500	11.5	13.5
3251956	24ABB448(A,W)30	CAP**4824A**	58CV(A,X)135-22	47,000	12.2	14.5
3251957	24ABB448(A,W)30	CAP**4824A**	58CV(A,X)155-22	47,000	12.2	14.5
3251913	24ABB448(A,W)30	CAP**4824A**	58MEB120-20	47,000	12.0	14.5
3251955	24ABB448(A,W)30	CAP**4824A**	58MV(B,C)120-20	46,500	12.0	14.0
3251929	24ABB448(A,W)30	CAP**4824A**	58PH*135-20	47,000	12.2	14.5
3251954	24ABB448(A,W)30	CAP**4824A**+TDR		47,500	11.5	13.5
3251961	24ABB448(A,W)30	CAP**6021A**	58CV(A,X)110-20	47,500	12.5	15.0
3251914	24ABB448(A,W)30	CAP**6021A**	58MEB100-20	48,000	12.5	15.0
3251959	24ABB448(A,W)30	CAP**6021A**	58MV(B,C)080-20	47,500	12.2	14.5
3251960	24ABB448(A,W)30	CAP**6021A**	58MV(B,C)100-20	47,500	12.2	14.5
3251930	24ABB448(A,W)30	CAP**6021A**	58PH*090-16	47,500	12.2	14.5
3251931	24ABB448(A,W)30	CAP**6021A**	58PH*110-20	47,500	12.5	15.0
3251958	24ABB448(A,W)30	CAP**6021A**+TDR		48,000	11.7	14.0
3251963	24ABB448(A,W)30	CAP**6024A**	58CV(A,X)135-22	48,000	12.5	15.0
3251964	24ABB448(A,W)30	CAP**6024A**	58CV(A,X)155-22	48,000	12.5	15.0
3251915	24ABB448(A,W)30	CAP**6024A**	58MEB120-20	48,000	12.5	15.0
3251962	24ABB448(A,W)30	CAP**6024A**	58MV(B,C)120-20	47,500	12.2	14.5
3251932	24ABB448(A,W)30	CAP**6024A**	58PH*135-20	48,000	12.2	15.0
3251992	24ABB448(A,W)30	CNPF*4818A**+TDR		46,500	11.5	13.5
3251981	24ABB448(A,W)30	CNPH*4821A**	58CV(A,X)090-16	47,000	12.0	14.5
3251982	24ABB448(A,W)30	CNPH*4821A**	58CV(A,X)110-20	47,000	12.2	14.5
3251983	24ABB448(A,W)30	CNPH*4821A**	58CV(A,X)135-22	47,000	12.2	14.5
3251984	24ABB448(A,W)30	CNPH*4821A**	58CV(A,X)155-22	47,000	12.5	15.0
3251918	24ABB448(A,W)30	CNPH*4821A**	58MEB080-16	47,000	12.0	14.5
3251919	24ABB448(A,W)30	CNPH*4821A**	58MEB100-20	47,000	12.0	14.5
3251920	24ABB448(A,W)30	CNPH*4821A**	58MEB120-20	47,500	12.0	14.5
3251978	24ABB448(A,W)30	CNPH*4821A**	58MV(B,C)080-20	46,500	12.0	14.0
3251979	24ABB448(A,W)30	CNPH*4821A**	58MV(B,C)100-20	46,500	12.0	14.0
3251980	24ABB448(A,W)30	CNPH*4821A**	58MV(B,C)120-20	46,500	12.0	14.5
3251936	24ABB448(A,W)30	CNPH*4821A**	58PH*070-16	46,500	11.2	13.5
3251937	24ABB448(A,W)30	CNPH*4821A**	58PH*090-16	47,000	12.0	14.5
3251938	24ABB448(A,W)30	CNPH*4821A**	58PH*110-20	47,000	12.2	14.5
3251939	24ABB448(A,W)30	CNPH*4821A**	58PH*135-20	47,000	12.2	14.5
3251977	24ABB448(A,W)30	CNPH*4821A**+TDR		47,500	11.5	13.5
3251989	24ABB448(A,W)30	CNPH*6024A**	58CV(A,X)090-16	47,500	12.2	14.5
3247541	24ABB448(A,W)30	CNPH*6024A**	58CV(A,X)110-20	47,500	12.5	15.0
3251990	24ABB448(A,W)30	CNPH*6024A**	58CV(A,X)135-22	48,000	12.5	15.0
3251991	24ABB448(A,W)30	CNPH*6024A**	58CV(A,X)155-22	48,000	12.5	15.0
3251921	24ABB448(A,W)30	CNPH*6024A**	58MEB080-16	47,500	12.0	14.5
3247544	24ABB448(A,W)30	CNPH*6024A**	58MEB100-20	48,000	12.5	15.0
3247545	24ABB448(A,W)30	CNPH*6024A**	58MEB120-20	48,000	12.5	15.0
3251986	24ABB448(A,W)30	CNPH*6024A**	58MV(B,C)080-20	47,500	12.2	14.5
3251987	24ABB448(A,W)30	CNPH*6024A**	58MV(B,C)100-20	47,500	12.2	14.5
3251988	24ABB448(A,W)30	CNPH*6024A**	58MV(B,C)120-20	47,500	12.2	14.5
3251940	24ABB448(A,W)30	CNPH*6024A**	58PH*070-16	47,500	11.5	13.5
3251941	24ABB448(A,W)30	CNPH*6024A**	58PH*090-16	48,000	12.2	14.5
3247542	24ABB448(A,W)30	CNPH*6024A**	58PH*110-20	48,000	12.5	15.0
3247543	24ABB448(A,W)30	CNPH*6024A**	58PH*135-20	48,000	12.5	15.0
3251985	24ABB448(A,W)30	CNPH*6024A**+TDR		48,000	11.7	14.0
3251968	24ABB448(A,W)30	CNPV*4821A**	58CV(A,X)110-20	47,000	12.2	14.5
3251916	24ABB448(A,W)30	CNPV*4821A**	58MEB100-20	47,000	12.0	14.5
3251966	24ABB448(A,W)30	CNPV*4821A**	58MV(B,C)080-20	46,500	12.0	14.0
3251967	24ABB448(A,W)30	CNPV*4821A**	58MV(B,C)100-20	46,500	12.0	14.0
3251933	24ABB448(A,W)30	CNPV*4821A**	58PH*090-16	47,000	12.0	14.5
3251934	24ABB448(A,W)30	CNPV*4821A**	58PH*110-20	47,000	12.2	14.5
3251965	24ABB448(A,W)30	CNPV*4821A**+TDR		47,500	11.5	13.5
3251971	24ABB448(A,W)30	CNPV*4824A**	58CV(A,X)135-22	47,000	12.2	14.5
3251972	24ABB448(A,W)30	CNPV*4824A**	58CV(A,X)155-22	47,000	12.5	15.0
3251917	24ABB448(A,W)30	CNPV*4824A**	58MEB120-20	47,000	12.0	14.5
3251970	24ABB448(A,W)30	CNPV*4824A**	58MV(B,C)120-20	46,500	12.0	14.5
3251935	24ABB448(A,W)30	CNPV*4824A**	58PH*135-20	47,000	12.2	14.5
3251969	24ABB448(A,W)30	CNPV*4824A**+TDR		47,500	11.5	13.5

See notes on page 31

COMBINATION RATINGS CONTINUED

ARI Ref. No.	Model Number	Indoor Model	Furnace Model	Capacity	EER	SEER
3247519	24ABB448(A,W)30	CNPV*6024A**	58CV(A,X)110-20	47,500	12.5	15.0
3251975	24ABB448(A,W)30	CNPV*6024A**	58CV(A,X)135-22	48,000	12.5	15.0
3251976	24ABB448(A,W)30	CNPV*6024A**	58CV(A,X)155-22	48,000	12.5	15.0
3247522	24ABB448(A,W)30	CNPV*6024A**	58MEB100-20	48,000	12.5	15.0
3247540	24ABB448(A,W)30	CNPV*6024A**	58MEB120-20	48,000	12.5	15.0
3251974	24ABB448(A,W)30	CNPV*6024A**	58MV(B,C)120-20	47,500	12.2	14.5
3247520	24ABB448(A,W)30	CNPV*6024A**	58PH*110-20	48,000	12.5	15.0
3247521	24ABB448(A,W)30	CNPV*6024A**	58PH*135-20	48,000	12.5	15.0
3251973	24ABB448(A,W)30	CNPV*6024A**+TDR		48,000	11.7	14.0
3251997	24ABB448(A,W)30	CSPH*4812A**	58CV(A,X)090-16	47,000	12.0	14.5
3251998	24ABB448(A,W)30	CSPH*4812A**	58CV(A,X)110-20	47,000	12.2	14.5
3251999	24ABB448(A,W)30	CSPH*4812A**	58CV(A,X)135-22	47,500	12.2	14.5
3252000	24ABB448(A,W)30	CSPH*4812A**	58CV(A,X)155-22	47,000	12.2	14.5
3251922	24ABB448(A,W)30	CSPH*4812A**	58MEB080-16	47,000	12.0	14.5
3251923	24ABB448(A,W)30	CSPH*4812A**	58MEB100-20	47,000	12.0	14.5
3251924	24ABB448(A,W)30	CSPH*4812A**	58MEB120-20	47,000	12.0	14.5
3251994	24ABB448(A,W)30	CSPH*4812A**	58MV(B,C)080-20	46,500	11.7	14.0
3251995	24ABB448(A,W)30	CSPH*4812A**	58MV(B,C)100-20	46,500	12.0	14.0
3251996	24ABB448(A,W)30	CSPH*4812A**	58MV(B,C)120-20	47,000	12.0	14.5
3251942	24ABB448(A,W)30	CSPH*4812A**	58PH*070-16	46,500	11.2	13.5
3251943	24ABB448(A,W)30	CSPH*4812A**	58PH*090-16	47,000	12.0	14.5
3251944	24ABB448(A,W)30	CSPH*4812A**	58PH*110-20	47,000	12.2	14.5
3251945	24ABB448(A,W)30	CSPH*4812A**	58PH*135-20	47,000	12.2	14.5
3251993	24ABB448(A,W)30	CSPH*4812A**+TDR		47,500	11.7	13.5
3252005	24ABB448(A,W)30	CSPH*6012A**	58CV(A,X)090-16	48,000	12.2	14.5
3247546	24ABB448(A,W)30	CSPH*6012A**	58CV(A,X)110-20	47,500	12.5	15.0
3252006	24ABB448(A,W)30	CSPH*6012A**	58CV(A,X)135-22	48,000	12.5	15.0
3252007	24ABB448(A,W)30	CSPH*6012A**	58CV(A,X)155-22	48,000	12.5	15.0
3251925	24ABB448(A,W)30	CSPH*6012A**	58MEB080-16	48,000	12.0	14.5
3247549	24ABB448(A,W)30	CSPH*6012A**	58MEB100-20	48,000	12.5	15.0
3247550	24ABB448(A,W)30	CSPH*6012A**	58MEB120-20	48,000	12.5	15.0
3252002	24ABB448(A,W)30	CSPH*6012A**	58MV(B,C)080-20	47,500	12.2	14.5
3252003	24ABB448(A,W)30	CSPH*6012A**	58MV(B,C)100-20	48,000	12.2	14.5
3252004	24ABB448(A,W)30	CSPH*6012A**	58MV(B,C)120-20	48,000	12.2	14.5
3251946	24ABB448(A,W)30	CSPH*6012A**	58PH*070-16	47,500	11.5	13.5
3251947	24ABB448(A,W)30	CSPH*6012A**	58PH*090-16	48,000	12.2	14.5
3247547	24ABB448(A,W)30	CSPH*6012A**	58PH*110-20	48,000	12.5	15.0
3247548	24ABB448(A,W)30	CSPH*6012A**	58PH*135-20	48,000	12.5	15.0
3252001	24ABB448(A,W)30	CSPH*6012A**+TDR		48,000	11.7	14.0
3252012	24ABB448(A,W)30	FE4AN(B,F)005+UI		48,000	12.5	15.0
3252013	24ABB448(A,W)30	FE4ANB006+UI		48,000	13.0	15.5
3252014	24ABB448(A,W)30	FV4BN(B,F)005		48,000	12.5	15.0
3252015	24ABB448(A,W)30	FV4BNB006		48,000	13.0	15.5
3404597	24ABB448(A,W)30	FV4CN(B,F)005		48,000	12.5	15.0
3404598	24ABB448(A,W)30	FV4CNB006		48,000	13.0	15.5
3252010	24ABB448(A,W)30	FX4CN(B,F)048		48,000	12.2	14.5
3252011	24ABB448(A,W)30	FX4CN(B,F)060		49,000	12.5	15.0
3252009	24ABB448(A,W)30	FY4ANB060		48,000	11.7	14.0
3252008	24ABB448(A,W)30	FY4ANF048		48,000	11.5	13.5
3382178	24ABB449(A,W)30	†CAP**6024A**+TDR		46,000	12.5	14.5
3382263	24ABB449(A,W)30	CAP**4817A**	58CV(A,X)090-16	44,000	12.5	15.0
3382264	24ABB449(A,W)30	CAP**4817A**	58CV(A,X)110-20	44,000	12.5	15.0
3382267	24ABB449(A,W)30	CAP**4817A**	58MEB080-16	44,000	12.5	15.0
3382268	24ABB449(A,W)30	CAP**4817A**	58MEB100-20	44,000	13.0	15.5
3382261	24ABB449(A,W)30	CAP**4817A**	58MV(B,C)080-20	44,000	12.5	14.5
3382262	24ABB449(A,W)30	CAP**4817A**	58MV(B,C)100-20	44,000	12.5	14.5
3382265	24ABB449(A,W)30	CAP**4817A**	58PH*090-16	44,000	12.5	15.0
3382266	24ABB449(A,W)30	CAP**4817A**	58PH*110-20	44,000	13.0	15.5
3382260	24ABB449(A,W)30	CAP**4817A**+TDR		44,000	12.5	14.5
3382273	24ABB449(A,W)30	CAP**4821A**	58CV(A,X)090-16	44,500	12.5	15.0
3382274	24ABB449(A,W)30	CAP**4821A**	58CV(A,X)110-20	44,500	12.5	15.0
3382275	24ABB449(A,W)30	CAP**4821A**	58CV(A,X)135-22	44,500	12.5	15.5
3382276	24ABB449(A,W)30	CAP**4821A**	58CV(A,X)155-22	44,500	13.0	15.5
3382280	24ABB449(A,W)30	CAP**4821A**	58MEB080-16	44,500	12.5	15.0
3382281	24ABB449(A,W)30	CAP**4821A**	58MEB100-20	44,500	12.5	15.0
3382282	24ABB449(A,W)30	CAP**4821A**	58MEB120-20	45,000	13.0	15.5
3382270	24ABB449(A,W)30	CAP**4821A**	58MV(B,C)080-20	44,000	12.5	14.5
3382271	24ABB449(A,W)30	CAP**4821A**	58MV(B,C)100-20	44,500	12.5	14.5
3382272	24ABB449(A,W)30	CAP**4821A**	58MV(B,C)120-20	44,500	12.5	15.0
3382277	24ABB449(A,W)30	CAP**4821A**	58PH*090-16	44,500	12.5	15.0
3382278	24ABB449(A,W)30	CAP**4821A**	58PH*110-20	44,500	13.0	15.5
3382279	24ABB449(A,W)30	CAP**4821A**	58PH*135-20	44,500	12.5	15.0
3382269	24ABB449(A,W)30	CAP**4821A**+TDR		45,000	12.0	14.2
3382250	24ABB449(A,W)30	CAP**4823A**	58HDV080--20	44,500	12.5	14.5
3382251	24ABB449(A,W)30	CAP**4823A**	58HDV100--20	44,500	12.5	15.0
3382287	24ABB449(A,W)30	CAP**4824A**	58CV(A,X)110-20	44,500	12.5	15.0
3382288	24ABB449(A,W)30	CAP**4824A**	58CV(A,X)135-22	44,500	12.5	15.5
3382289	24ABB449(A,W)30	CAP**4824A**	58CV(A,X)155-22	44,500	13.0	16.0

24ABB4

See notes on page 31

COMBINATION RATINGS CONTINUED

ARI Ref. No.	Model Number	Indoor Model	Furnace Model	Capacity	EER	SEER
3382293	24ABB449(A,W)30	CAP**4824A**	58MEB100-20	44,500	12.5	15.5
3382294	24ABB449(A,W)30	CAP**4824A**	58MEB120-20	45,000	13.0	15.5
3382284	24ABB449(A,W)30	CAP**4824A**	58MV(B,C)080-20	44,000	12.5	15.0
3382285	24ABB449(A,W)30	CAP**4824A**	58MV(B,C)100-20	44,500	12.5	14.5
3382286	24ABB449(A,W)30	CAP**4824A**	58MV(B,C)120-20	44,500	12.5	15.0
3382290	24ABB449(A,W)30	CAP**4824A**	58PH*090-16	44,500	12.5	15.0
3382291	24ABB449(A,W)30	CAP**4824A**	58PH*110-20	44,500	12.5	15.5
3382292	24ABB449(A,W)30	CAP**4824A**	58PH*135-20	44,500	12.5	15.0
3382283	24ABB449(A,W)30	CAP**4824A**+TDR		45,000	12.0	14.2
3382183	24ABB449(A,W)30	CAP**6021A**	58CV(A,X)090-16	45,000	13.0	16.0
3382184	24ABB449(A,W)30	CAP**6021A**	58CV(A,X)110-20	45,000	13.0	16.0
3382185	24ABB449(A,W)30	CAP**6021A**	58CV(A,X)135-22	45,000	13.0	16.0
3382186	24ABB449(A,W)30	CAP**6021A**	58CV(A,X)155-22	45,500	13.0	16.0
3382190	24ABB449(A,W)30	CAP**6021A**	58MEB080-16	45,500	12.5	15.5
3382191	24ABB449(A,W)30	CAP**6021A**	58MEB100-20	45,500	13.0	16.0
3382192	24ABB449(A,W)30	CAP**6021A**	58MEB120-20	45,500	13.0	16.0
3382180	24ABB449(A,W)30	CAP**6021A**	58MV(B,C)080-20	45,000	13.0	15.5
3382181	24ABB449(A,W)30	CAP**6021A**	58MV(B,C)100-20	45,000	13.0	15.5
3382182	24ABB449(A,W)30	CAP**6021A**	58MV(B,C)120-20	45,000	13.0	16.0
3382187	24ABB449(A,W)30	CAP**6021A**	58PH*090-16	45,500	13.0	16.0
3382188	24ABB449(A,W)30	CAP**6021A**	58PH*110-20	45,500	13.0	16.0
3382189	24ABB449(A,W)30	CAP**6021A**	58PH*135-20	45,500	13.0	16.0
3382254	24ABB449(A,W)30	CAP**6021A**	58VLR120-20	45,000	13.0	16.0
3382179	24ABB449(A,W)30	CAP**6021A**+TDR		45,500	12.5	14.5
3382196	24ABB449(A,W)30	CAP**6024A**	58CV(A,X)110-20	45,500	13.0	16.0
3382197	24ABB449(A,W)30	CAP**6024A**	58CV(A,X)135-22	45,500	13.0	16.0
3382198	24ABB449(A,W)30	CAP**6024A**	58CV(A,X)155-22	45,500	13.0	16.0
3382202	24ABB449(A,W)30	CAP**6024A**	58MEB100-20	45,500	13.0	16.0
3382203	24ABB449(A,W)30	CAP**6024A**	58MEB120-20	45,500	13.0	16.0
3382193	24ABB449(A,W)30	CAP**6024A**	58MV(B,C)080-20	45,000	12.5	15.5
3382194	24ABB449(A,W)30	CAP**6024A**	58MV(B,C)100-20	45,500	12.5	15.0
3382195	24ABB449(A,W)30	CAP**6024A**	58MV(B,C)120-20	45,500	12.5	15.5
3382199	24ABB449(A,W)30	CAP**6024A**	58PH*090-16	45,500	13.0	16.0
3382200	24ABB449(A,W)30	CAP**6024A**	58PH*110-20	45,500	13.0	16.0
3382201	24ABB449(A,W)30	CAP**6024A**	58PH*135-20	45,500	13.0	16.0
3382255	24ABB449(A,W)30	CAP**6024A**	58VLR120-20	45,000	13.0	16.0
3382252	24ABB449(A,W)30	CAP**6025A**	58HDV080--20	45,500	12.5	15.3
3382253	24ABB449(A,W)30	CAP**6025A**	58HDV100--20	45,500	13.0	15.5
3382335	24ABB449(A,W)30	CNPF*4818A**+TDR		44,000	12.0	14.2
3382325	24ABB449(A,W)30	CNPH*4821A**	58CV(A,X)090-16	44,500	12.5	15.0
3382326	24ABB449(A,W)30	CNPH*4821A**	58CV(A,X)110-20	44,500	12.5	15.0
3382327	24ABB449(A,W)30	CNPH*4821A**	58CV(A,X)135-22	44,500	13.0	15.5
3382328	24ABB449(A,W)30	CNPH*4821A**	58CV(A,X)155-22	45,000	13.0	16.0
3382332	24ABB449(A,W)30	CNPH*4821A**	58MEB080-16	45,000	12.5	15.0
3382333	24ABB449(A,W)30	CNPH*4821A**	58MEB100-20	45,000	12.5	15.5
3382334	24ABB449(A,W)30	CNPH*4821A**	58MEB120-20	45,000	13.0	16.0
3382322	24ABB449(A,W)30	CNPH*4821A**	58MV(B,C)080-20	44,500	12.5	15.0
3382323	24ABB449(A,W)30	CNPH*4821A**	58MV(B,C)100-20	44,500	12.5	15.0
3382324	24ABB449(A,W)30	CNPH*4821A**	58MV(B,C)120-20	44,500	12.5	15.0
3382329	24ABB449(A,W)30	CNPH*4821A**	58PH*090-16	45,000	12.5	15.0
3382330	24ABB449(A,W)30	CNPH*4821A**	58PH*110-20	45,000	13.0	16.0
3382331	24ABB449(A,W)30	CNPH*4821A**	58PH*135-20	45,000	12.5	15.5
3382321	24ABB449(A,W)30	CNPH*4821A**+TDR		45,000	12.0	14.2
3382220	24ABB449(A,W)30	CNPH*6024A**	58CV(A,X)090-16	45,000	12.5	15.5
3382221	24ABB449(A,W)30	CNPH*6024A**	58CV(A,X)110-20	45,500	13.0	16.0
3382222	24ABB449(A,W)30	CNPH*6024A**	58CV(A,X)135-22	45,500	13.0	16.0
3382223	24ABB449(A,W)30	CNPH*6024A**	58CV(A,X)155-22	45,500	13.0	16.0
3382227	24ABB449(A,W)30	CNPH*6024A**	58MEB080-16	45,500	12.5	15.0
3382228	24ABB449(A,W)30	CNPH*6024A**	58MEB100-20	45,500	13.0	16.0
3382229	24ABB449(A,W)30	CNPH*6024A**	58MEB120-20	46,000	13.0	16.0
3382217	24ABB449(A,W)30	CNPH*6024A**	58MV(B,C)080-20	45,000	12.5	15.5
3382218	24ABB449(A,W)30	CNPH*6024A**	58MV(B,C)100-20	45,500	12.5	15.5
3382219	24ABB449(A,W)30	CNPH*6024A**	58MV(B,C)120-20	45,500	12.5	15.5
3382224	24ABB449(A,W)30	CNPH*6024A**	58PH*090-16	45,500	13.0	16.0
3382225	24ABB449(A,W)30	CNPH*6024A**	58PH*110-20	45,500	13.0	16.0
3382226	24ABB449(A,W)30	CNPH*6024A**	58PH*135-20	45,500	13.0	16.0
3382257	24ABB449(A,W)30	CNPH*6024A**	58VLR120-20	45,000	13.0	16.0
3382216	24ABB449(A,W)30	CNPH*6024A**+TDR		46,000	12.5	14.5
3382299	24ABB449(A,W)30	CNPV*4821A**	58CV(A,X)090-16	44,500	12.5	15.0
3382300	24ABB449(A,W)30	CNPV*4821A**	58CV(A,X)110-20	44,500	12.5	15.0
3382301	24ABB449(A,W)30	CNPV*4821A**	58CV(A,X)135-22	44,500	12.5	15.5
3382302	24ABB449(A,W)30	CNPV*4821A**	58CV(A,X)155-22	45,000	13.0	16.0
3382306	24ABB449(A,W)30	CNPV*4821A**	58MEB080-16	45,000	12.5	15.0
3382307	24ABB449(A,W)30	CNPV*4821A**	58MEB100-20	45,000	12.5	15.5
3382308	24ABB449(A,W)30	CNPV*4821A**	58MEB120-20	45,000	13.0	16.0
3382296	24ABB449(A,W)30	CNPV*4821A**	58MV(B,C)080-20	44,500	12.5	15.0
3382297	24ABB449(A,W)30	CNPV*4821A**	58MV(B,C)100-20	44,500	12.5	15.0
3382298	24ABB449(A,W)30	CNPV*4821A**	58MV(B,C)120-20	44,500	12.5	15.0
3382303	24ABB449(A,W)30	CNPV*4821A**	58PH*090-16	45,000	12.5	15.0

See notes on page 31

COMBINATION RATINGS CONTINUED

ARI Ref. No.	Model Number	Indoor Model	Furnace Model	Capacity	EER	SEER
3382304	24ABB449(A,W)30	CNPV*4821A**	58PH*110-20	45,000	13.0	16.0
3382305	24ABB449(A,W)30	CNPV*4821A**	58PH*135-20	45,000	12.5	15.5
3382295	24ABB449(A,W)30	CNPV*4821A**+TDR		45,000	12.0	14.2
3382313	24ABB449(A,W)30	CNPV*4824A**	58CV(A,X)110-20	44,500	12.5	15.0
3382314	24ABB449(A,W)30	CNPV*4824A**	58CV(A,X)135-22	44,500	13.0	15.5
3382315	24ABB449(A,W)30	CNPV*4824A**	58CV(A,X)155-22	45,000	13.0	16.0
3382319	24ABB449(A,W)30	CNPV*4824A**	58MEB100-20	45,000	12.5	15.5
3382320	24ABB449(A,W)30	CNPV*4824A**	58MEB120-20	45,000	13.0	16.0
3382310	24ABB449(A,W)30	CNPV*4824A**	58MV(B,C)080-20	44,500	12.5	15.0
3382311	24ABB449(A,W)30	CNPV*4824A**	58MV(B,C)100-20	44,500	12.5	15.0
3382312	24ABB449(A,W)30	CNPV*4824A**	58MV(B,C)120-20	44,500	12.5	15.0
3382316	24ABB449(A,W)30	CNPV*4824A**	58PH*090-16	45,000	12.5	15.0
3382317	24ABB449(A,W)30	CNPV*4824A**	58PH*110-20	45,000	13.0	16.0
3382318	24ABB449(A,W)30	CNPV*4824A**	58PH*135-20	45,000	12.5	15.5
3382309	24ABB449(A,W)30	CNPV*4824A**+TDR		45,000	12.0	14.2
3382208	24ABB449(A,W)30	CNPV*6024A**	58CV(A,X)110-20	45,500	13.0	16.0
3382209	24ABB449(A,W)30	CNPV*6024A**	58CV(A,X)135-22	45,500	13.0	16.0
3382210	24ABB449(A,W)30	CNPV*6024A**	58CV(A,X)155-22	45,500	13.0	16.0
3382214	24ABB449(A,W)30	CNPV*6024A**	58MEB100-20	45,500	13.0	16.0
3382215	24ABB449(A,W)30	CNPV*6024A**	58MEB120-20	46,000	13.0	16.0
3382205	24ABB449(A,W)30	CNPV*6024A**	58MV(B,C)080-20	45,000	12.5	15.5
3382206	24ABB449(A,W)30	CNPV*6024A**	58MV(B,C)100-20	45,000	12.5	15.0
3382207	24ABB449(A,W)30	CNPV*6024A**	58MV(B,C)120-20	45,500	12.5	15.5
3382211	24ABB449(A,W)30	CNPV*6024A**	58PH*090-16	45,500	13.0	16.0
3382212	24ABB449(A,W)30	CNPV*6024A**	58PH*110-20	45,500	13.0	16.0
3382213	24ABB449(A,W)30	CNPV*6024A**	58PH*135-20	45,500	13.0	16.0
3382256	24ABB449(A,W)30	CNPV*6024A**	58VLR120-20	45,000	13.0	16.0
3382204	24ABB449(A,W)30	CNPV*6024A**+TDR		46,000	12.5	14.5
3382340	24ABB449(A,W)30	CSPH*4812A**	58CV(A,X)090-16	45,000	12.5	15.0
3382341	24ABB449(A,W)30	CSPH*4812A**	58CV(A,X)110-20	45,000	12.5	15.0
3382342	24ABB449(A,W)30	CSPH*4812A**	58CV(A,X)135-22	45,000	12.5	15.5
3382343	24ABB449(A,W)30	CSPH*4812A**	58CV(A,X)155-22	45,000	13.0	16.0
3382347	24ABB449(A,W)30	CSPH*4812A**	58MEB080-16	45,000	12.5	15.0
3382348	24ABB449(A,W)30	CSPH*4812A**	58MEB100-20	45,000	13.0	15.5
3382349	24ABB449(A,W)30	CSPH*4812A**	58MEB120-20	45,000	13.0	16.0
3382337	24ABB449(A,W)30	CSPH*4812A**	58MV(B,C)080-20	44,500	12.5	15.0
3382338	24ABB449(A,W)30	CSPH*4812A**	58MV(B,C)100-20	45,000	12.5	15.0
3382339	24ABB449(A,W)30	CSPH*4812A**	58MV(B,C)120-20	45,000	12.5	15.0
3382344	24ABB449(A,W)30	CSPH*4812A**	58PH*090-16	45,000	12.5	15.0
3382345	24ABB449(A,W)30	CSPH*4812A**	58PH*110-20	45,000	13.0	16.0
3382346	24ABB449(A,W)30	CSPH*4812A**	58PH*135-20	45,000	12.5	15.5
3382336	24ABB449(A,W)30	CSPH*4812A**+TDR		45,000	12.5	14.5
3382234	24ABB449(A,W)30	CSPH*6012A**	58CV(A,X)090-16	45,500	13.0	16.0
3382235	24ABB449(A,W)30	CSPH*6012A**	58CV(A,X)110-20	45,500	13.0	16.0
3382236	24ABB449(A,W)30	CSPH*6012A**	58CV(A,X)135-22	45,500	13.0	16.0
3382237	24ABB449(A,W)30	CSPH*6012A**	58CV(A,X)155-22	46,000	13.0	16.0
3382241	24ABB449(A,W)30	CSPH*6012A**	58MEB080-16	46,000	12.5	15.5
3382242	24ABB449(A,W)30	CSPH*6012A**	58MEB100-20	46,000	13.0	16.0
3382243	24ABB449(A,W)30	CSPH*6012A**	58MEB120-20	46,000	13.0	16.0
3382231	24ABB449(A,W)30	CSPH*6012A**	58MV(B,C)080-20	45,000	12.5	15.5
3382232	24ABB449(A,W)30	CSPH*6012A**	58MV(B,C)100-20	45,500	12.5	15.5
3382233	24ABB449(A,W)30	CSPH*6012A**	58MV(B,C)120-20	45,500	13.0	16.0
3382238	24ABB449(A,W)30	CSPH*6012A**	58PH*090-16	46,000	13.0	16.0
3382239	24ABB449(A,W)30	CSPH*6012A**	58PH*110-20	46,000	13.0	16.0
3382240	24ABB449(A,W)30	CSPH*6012A**	58PH*135-20	46,000	13.0	16.0
3382259	24ABB449(A,W)30	CSPH*6012A**	58VLR120-20	45,000	13.0	16.0
3382258	24ABB449(A,W)30	CSPH*6012A**	58VLR120-20	45,000	13.0	16.0
3382230	24ABB449(A,W)30	CSPH*6012A**+TDR		46,000	12.5	14.5
3382245	24ABB449(A,W)30	FE4AN(B,F)005+UI		45,500	13.0	16.0
3382246	24ABB449(A,W)30	FE4ANB006+UI		46,000	13.0	16.0
3382247	24ABB449(A,W)30	FV4BN(B,F)005		45,500	13.0	16.0
3382248	24ABB449(A,W)30	FV4BNB006		46,000	13.0	16.0
3404620	24ABB449(A,W)30	FV4CN(B,F)005		45,500	13.0	16.0
3404621	24ABB449(A,W)30	FV4CNB006		46,000	13.0	16.0
3382350	24ABB449(A,W)30	FX4CN(B,F)048		46,000	13.0	15.5
3382244	24ABB449(A,W)30	FX4CN(B,F)060		46,000	13.0	16.0
3382249	24ABB449(A,W)30	FY4ANB060		46,000	12.5	14.5
3382351	24ABB449(A,W)30	FY4ANF048		45,000	12.0	14.5
3285539	24ABB460(A,W)31	†CAP**6024A**+TDR		59,000	12.0	14.0
3285532	24ABB460(A,W)31	CAP**6021A**	58MEB100-20	58,000	12.0	14.5
3285528	24ABB460(A,W)31	CAP**6021A**	58MV(B,C)080-20	56,000	12.0	14.2
3285529	24ABB460(A,W)31	CAP**6021A**	58MV(B,C)100-20	56,000	12.2	14.5
3285530	24ABB460(A,W)31	CAP**6021A**	58PH*090-16	57,000	12.0	14.0
3285531	24ABB460(A,W)31	CAP**6021A**	58PH*110-20	57,500	12.2	14.5
3285533	24ABB460(A,W)31	CAP**6021A**+TDR		58,000	12.0	14.0
3285535	24ABB460(A,W)31	CAP**6024A**	58CV(A,X)135-22	58,000	12.0	14.2
3285536	24ABB460(A,W)31	CAP**6024A**	58CV(A,X)155-22	58,000	12.2	14.5
3285538	24ABB460(A,W)31	CAP**6024A**	58MEB120-20	58,000	12.0	14.5

See notes on page 31

24ABB4

COMBINATION RATINGS CONTINUED

24ABB4

ARI Ref. No.	Model Number	Indoor Model	Furnace Model	Capacity	EER	SEER
3285534	24ABB460(A,W)31	CAP**6024A**	58MV(B,C)120-20	55,500	12.2	14.5
3285537	24ABB460(A,W)31	CAP**6024A**	58PH*135-20	58,000	12.0	14.0
3285543	24ABB460(A,W)31	CNPH*6024A**	58CV(A,X)110-20	58,000	12.0	14.2
3285544	24ABB460(A,W)31	CNPH*6024A**	58CV(A,X)135-22	58,000	12.2	14.5
3285545	24ABB460(A,W)31	CNPH*6024A**	58CV(A,X)155-22	58,000	12.2	14.5
3285549	24ABB460(A,W)31	CNPH*6024A**	58MEB100-20	57,500	12.0	14.5
3285550	24ABB460(A,W)31	CNPH*6024A**	58MEB120-20	58,000	12.0	14.5
3285540	24ABB460(A,W)31	CNPH*6024A**	58MV(B,C)080-20	55,500	12.0	14.2
3285541	24ABB460(A,W)31	CNPH*6024A**	58MV(B,C)100-20	56,000	12.2	14.5
3285542	24ABB460(A,W)31	CNPH*6024A**	58MV(B,C)120-20	55,500	12.2	14.5
3285546	24ABB460(A,W)31	CNPH*6024A**	58PH*090-16	57,500	12.0	14.0
3285547	24ABB460(A,W)31	CNPH*6024A**	58PH*110-20	58,000	12.2	14.5
3285548	24ABB460(A,W)31	CNPH*6024A**	58PH*135-20	58,000	12.0	14.0
3285551	24ABB460(A,W)31	CNPH*6024A**+TDR		59,000	12.0	14.0
3285558	24ABB460(A,W)31	CNPV*6024A**	58CV(A,X)110-20	56,000	12.2	14.5
3285553	24ABB460(A,W)31	CNPV*6024A**	58CV(A,X)135-22	58,000	12.2	14.5
3285554	24ABB460(A,W)31	CNPV*6024A**	58CV(A,X)155-22	58,000	12.2	14.5
3285559	24ABB460(A,W)31	CNPV*6024A**	58MEB100-20	57,500	12.2	14.5
3285556	24ABB460(A,W)31	CNPV*6024A**	58MEB120-20	58,000	12.0	14.5
3285552	24ABB460(A,W)31	CNPV*6024A**	58MV(B,C)120-20	55,500	12.2	14.5
3285557	24ABB460(A,W)31	CNPV*6024A**	58PH*110-20	58,000	12.0	14.5
3285555	24ABB460(A,W)31	CNPV*6024A**	58PH*135-20	58,000	12.0	14.0
3285560	24ABB460(A,W)31	CNPV*6024A**+TDR		59,000	12.0	14.0
3285564	24ABB460(A,W)31	CSPH*6012A**	58CV(A,X)110-20	58,000	12.0	14.2
3285565	24ABB460(A,W)31	CSPH*6012A**	58CV(A,X)135-22	58,500	12.2	14.5
3285566	24ABB460(A,W)31	CSPH*6012A**	58CV(A,X)155-22	58,500	12.2	14.5
3285570	24ABB460(A,W)31	CSPH*6012A**	58MEB100-20	58,000	12.0	14.5
3285571	24ABB460(A,W)31	CSPH*6012A**	58MEB120-20	58,000	12.0	14.5
3285561	24ABB460(A,W)31	CSPH*6012A**	58MV(B,C)080-20	55,500	12.0	14.2
3285562	24ABB460(A,W)31	CSPH*6012A**	58MV(B,C)100-20	55,500	12.2	14.5
3285563	24ABB460(A,W)31	CSPH*6012A**	58MV(B,C)120-20	55,500	12.2	14.5
3285567	24ABB460(A,W)31	CSPH*6012A**	58PH*090-16	57,500	12.0	14.0
3285568	24ABB460(A,W)31	CSPH*6012A**	58PH*110-20	58,000	12.2	14.5
3285569	24ABB460(A,W)31	CSPH*6012A**	58PH*135-20	58,000	12.0	14.0
3285572	24ABB460(A,W)31	CSPH*6012A**+TDR		59,000	12.0	14.0
3285573	24ABB460(A,W)31	FE4ANB006+UI		59,000	12.2	14.5
3285574	24ABB460(A,W)31	FV4BNB006		59,000	12.2	14.5
3404616	24ABB460(A,W)31	FV4CNB006		59,000	12.2	14.5
3285575	24ABB460(A,W)31	FX4CN(B,F)060		60,000	12.2	14.5
3285576	24ABB460(A,W)31	FY4ANB060		59,000	11.5	13.5
3416207	24ABB461(A,W)30	†CNPV*6124A**+TDR		56,000	12.5	15.0
3416119	24ABB461(A,W)30	CAP**6021A**	58CV(A,X)110-20	54,000	12.5	15.2
3416121	24ABB461(A,W)30	CAP**6021A**	58CV(A,X)135-22	54,500	12.5	15.5
3416123	24ABB461(A,W)30	CAP**6021A**	58CV(A,X)155-22	54,500	13.0	16.0
3416132	24ABB461(A,W)30	CAP**6021A**	58MEB100-20	54,000	12.5	15.5
3416134	24ABB461(A,W)30	CAP**6021A**	58MEB120-20	54,000	13.0	16.0
3416125	24ABB461(A,W)30	CAP**6021A**	58PH*090-16	54,000	12.5	15.5
3416127	24ABB461(A,W)30	CAP**6021A**	58PH*110-20	54,000	13.0	16.0
3416129	24ABB461(A,W)30	CAP**6021A**	58PH*135-20	54,000	12.5	15.5
3416117	24ABB461(A,W)30	CAP**6021A**+TDR		54,000	12.5	14.5
3416138	24ABB461(A,W)30	CAP**6024A**	58CV(A,X)110-20	54,000	12.5	15.2
3416141	24ABB461(A,W)30	CAP**6024A**	58CV(A,X)135-22	54,000	13.0	16.0
3416143	24ABB461(A,W)30	CAP**6024A**	58CV(A,X)155-22	54,500	13.0	16.0
3416152	24ABB461(A,W)30	CAP**6024A**	58MEB100-20	54,000	13.0	16.0
3416154	24ABB461(A,W)30	CAP**6024A**	58MEB120-20	54,000	13.0	16.0
3416145	24ABB461(A,W)30	CAP**6024A**	58PH*090-16	54,000	12.5	15.5
3416148	24ABB461(A,W)30	CAP**6024A**	58PH*110-20	54,000	13.0	16.0
3416149	24ABB461(A,W)30	CAP**6024A**	58PH*135-20	54,000	12.5	15.5
3416155	24ABB461(A,W)30	CAP**6024A**	58VLR120-20	54,000	12.5	15.0
3416136	24ABB461(A,W)30	CAP**6024A**+TDR		55,000	12.5	14.5
3416181	24ABB461(A,W)30	CNPH*6024A**	58CV(A,X)110-20	54,000	12.5	15.3
3416182	24ABB461(A,W)30	CNPH*6024A**	58CV(A,X)135-22	54,000	12.5	15.5
3416183	24ABB461(A,W)30	CNPH*6024A**	58CV(A,X)155-22	54,500	13.0	16.0
3416187	24ABB461(A,W)30	CNPH*6024A**	58MEB080-16	54,000	12.5	15.2
3416188	24ABB461(A,W)30	CNPH*6024A**	58MEB100-20	54,000	12.5	15.5
3416189	24ABB461(A,W)30	CNPH*6024A**	58MEB120-20	54,500	13.0	16.0
3416184	24ABB461(A,W)30	CNPH*6024A**	58PH*090-16	54,000	12.5	15.3
3416185	24ABB461(A,W)30	CNPH*6024A**	58PH*110-20	54,000	12.5	15.5
3416186	24ABB461(A,W)30	CNPH*6024A**	58PH*135-20	54,000	12.5	15.5
3416190	24ABB461(A,W)30	CNPH*6024A**	58VLR120-20	54,000	12.5	15.2
3416180	24ABB461(A,W)30	CNPH*6024A**+TDR		55,000	12.5	14.5
3416220	24ABB461(A,W)30	CNPH*6124A**	58CV(A,X)110-20	54,000	12.5	15.2
3416221	24ABB461(A,W)30	CNPH*6124A**	58CV(A,X)135-22	54,500	13.0	16.0
3416222	24ABB461(A,W)30	CNPH*6124A**	58CV(A,X)155-22	54,500	13.0	16.0
3416226	24ABB461(A,W)30	CNPH*6124A**	58MEB100-20	54,000	13.0	16.0
3416227	24ABB461(A,W)30	CNPH*6124A**	58MEB120-20	55,000	13.0	16.0
3416223	24ABB461(A,W)30	CNPH*6124A**	58PH*090-16	54,000	12.5	15.5
3416224	24ABB461(A,W)30	CNPH*6124A**	58PH*110-20	55,000	13.0	16.0

See notes on page 31

COMBINATION RATINGS CONTINUED

ARI Ref. No.	Model Number	Indoor Model	Furnace Model	Capacity	EER	SEER
3416225	24ABB461(A,W)30	CNPH*6124A**	58PH*135-20	54,000	13.0	16.0
3416208	24ABB461(A,W)30	CNPH*6124A**+TDR		55,000	12.5	15.0
3416160	24ABB461(A,W)30	CNPV*6024A**	58CV(A,X)110-20	54,000	12.5	15.2
3416164	24ABB461(A,W)30	CNPV*6024A**	58CV(A,X)135-22	54,000	13.0	16.0
3416166	24ABB461(A,W)30	CNPV*6024A**	58CV(A,X)155-22	54,500	13.0	16.0
3416174	24ABB461(A,W)30	CNPV*6024A**	58MEB100-20	54,000	12.5	15.5
3416176	24ABB461(A,W)30	CNPV*6024A**	58MEB120-20	54,000	13.0	16.0
3416168	24ABB461(A,W)30	CNPV*6024A**	58PH*090-16	54,000	12.5	15.3
3416170	24ABB461(A,W)30	CNPV*6024A**	58PH*110-20	54,000	13.0	15.5
3416172	24ABB461(A,W)30	CNPV*6024A**	58PH*135-20	54,000	12.5	15.5
3416178	24ABB461(A,W)30	CNPV*6024A**	58VLR120-20	54,000	12.5	15.2
3416158	24ABB461(A,W)30	CNPV*6024A**+TDR		55,000	12.5	14.5
3416210	24ABB461(A,W)30	CNPV*6124A**	58CV(A,X)110-20	55,000	13.0	16.0
3416211	24ABB461(A,W)30	CNPV*6124A**	58CV(A,X)135-22	55,000	13.0	16.0
3416212	24ABB461(A,W)30	CNPV*6124A**	58CV(A,X)155-22	55,500	13.0	16.0
3416216	24ABB461(A,W)30	CNPV*6124A**	58MEB100-20	55,000	13.0	16.0
3416217	24ABB461(A,W)30	CNPV*6124A**	58MEB120-20	55,000	13.0	16.0
3416209	24ABB461(A,W)30	CNPV*6124A**	58MV(B,C)120-20	55,000	12.5	15.5
3416213	24ABB461(A,W)30	CNPV*6124A**	58PH*090-16	55,000	13.0	16.0
3416214	24ABB461(A,W)30	CNPV*6124A**	58PH*110-20	55,000	13.0	16.0
3416215	24ABB461(A,W)30	CNPV*6124A**	58PH*135-20	55,000	13.0	16.0
3416219	24ABB461(A,W)30	CNPV*6124A**	58VLR120-20	55,000	12.5	15.2
3416218	24ABB461(A,W)30	CNPV*6124A**	58VMR120-20	55,000	12.5	15.0
3416193	24ABB461(A,W)30	CSPH*6012A**	58CV(A,X)110-20	54,000	12.5	15.5
3416194	24ABB461(A,W)30	CSPH*6012A**	58CV(A,X)135-22	54,500	13.0	16.0
3416195	24ABB461(A,W)30	CSPH*6012A**	58CV(A,X)155-22	55,000	13.0	16.0
3416199	24ABB461(A,W)30	CSPH*6012A**	58MEB080-16	54,000	12.5	15.2
3416200	24ABB461(A,W)30	CSPH*6012A**	58MEB100-20	54,000	13.0	16.0
3416201	24ABB461(A,W)30	CSPH*6012A**	58MEB120-20	54,500	13.0	16.0
3416192	24ABB461(A,W)30	CSPH*6012A**	58MV(B,C)120-20	54,000	12.5	15.2
3416196	24ABB461(A,W)30	CSPH*6012A**	58PH*090-16	54,000	12.5	15.5
3416197	24ABB461(A,W)30	CSPH*6012A**	58PH*110-20	55,000	13.0	16.0
3416198	24ABB461(A,W)30	CSPH*6012A**	58PH*135-20	54,500	13.0	16.0
3416202	24ABB461(A,W)30	CSPH*6012A**	58VLR120-20	54,000	12.5	15.2
3416191	24ABB461(A,W)30	CSPH*6012A**+TDR		55,000	12.5	14.5
3416205	24ABB461(A,W)30	FE4ANB006+UI		55,000	13.0	16.0
3416206	24ABB461(A,W)30	FV4BNB006		55,000	13.0	16.0
3471028	24ABB461(A,W)30	FV4CNB006		55,000	13.0	16.0
3416204	24ABB461(A,W)30	FX4CN(B,F)060		55,000	13.0	16.0
3416203	24ABB461(A,W)30	FY4ANB060		55,000	12.0	14.5

† Tested combination

EER — Energy Efficiency Ratio

SEER — Seasonal Energy Efficiency Ratio

TDR — Time-Delay Relay. In most cases, only 1 method should be used to achieve TDR function. Using more than 1 method in a system may cause degradation in performance. Use either the accessory Time-Delay Relay KAATD0101TDR or a furnace equipped with TDR. Most Carrier furnaces are equipped with TDR.

TXV — Thermostatic Expansion Valve

UI — User Interface

NOTES:

1. Ratings are net values reflecting the effects of circulating fan motor heat. Supplemental electric heat is not included.
2. Tested outdoor/indoor combinations have been tested in accordance with DOE test procedures for central air conditioners. Ratings for other combinations are determined under DOE computer simulation procedures.
3. Determine actual CFM values obtainable for your system by referring to fan performance data in fan coil or furnace coil literature.
4. Do not apply with capillary tube coils as performance and reliability are affected.

24ABB4

DETAILED COOLING CAPACITIES#

EVAPORATOR AIR		CONDENSER ENTERING AIR TEMPERATURES ° F (° C)																							
		75 (23.9)				85 (29.4)				95 (35)				105 (40.6)				115 (46.1)				125 (51.7)			
		CFM	EWB ° F (° C)	Capacity MBtuh		Total System KW**	Capacity MBtuh		Total System KW**	Capacity MBtuh		Total System KW**	Capacity MBtuh		Total System KW**	Capacity MBtuh		Total System KW**	Capacity MBtuh		Total System KW**	Capacity MBtuh		Total System KW**	
Total	Sens†			Total	Sens†		Total	Sens†		Total	Sens†		Total	Sens†		Total	Sens†		Total	Sens†		Total	Sens†		Total
525	72 (22.2)		20.52	10.58	1.32	19.45	10.18	1.49	18.33	9.77	1.67	17.18	9.35	1.88	15.93	8.90	2.11								
	67 (19.4)		18.65	12.96	1.33	17.67	12.55	1.50	16.65	12.14	1.69	15.60	11.72	1.90	14.46	11.27	2.13								
	63 (17.2)††		17.35	12.55	1.38	16.44	12.15	1.54	15.48	11.73	1.72	14.45	11.29	1.91	13.33	10.81	2.11								
	62 (16.7)		16.96	15.31	1.34	16.08	14.91	1.51	15.18	14.49	1.70	14.29	14.29	1.91	13.44	13.44	2.13								
	57 (13.9)		16.49	16.49	1.35	15.79	15.79	1.51	15.06	15.06	1.70	14.29	14.29	1.91	13.44	13.44	2.13								
	72 (22.2)		20.92	11.13	1.34	19.79	10.72	1.51	18.62	10.31	1.62	17.42	9.88	1.91	16.12	9.43	2.14								
	67 (19.4)		19.03	13.84	1.36	18.00	13.43	1.53	16.94	13.01	1.71	15.84	12.58	1.92	14.66	12.12	2.15								
	63 (17.2)††		17.71	13.38	1.41	16.76	12.97	1.57	15.76	12.54	1.75	14.86	12.09	1.94	13.53	11.61	2.14								
	62 (16.7)		17.38	16.52	1.37	16.50	16.41	1.54	15.70	15.70	1.72	14.86	14.86	1.93	13.95	13.95	2.16								
	57 (13.9)		17.23	17.23	1.37	16.48	16.48	1.54	15.70	15.70	1.72	14.87	14.87	1.93	13.95	13.95	2.16								
600	72 (22.2)		21.20	11.66	1.37	20.03	11.24	1.54	18.83	10.82	1.72	17.58	10.39	1.93	16.24	9.93	2.16								
	67 (19.4)		19.31	14.69	1.38	18.25	14.27	1.55	17.15	13.84	1.74	16.02	13.41	1.95	14.80	12.94	2.18								
	63 (17.2)††		17.98	14.18	1.44	17.00	13.76	1.60	15.96	13.32	1.77	14.86	12.87	1.96	13.68	12.37	2.17								
	62 (16.7)		17.86	17.86	1.39	17.06	17.06	1.56	16.22	16.22	1.75	15.33	15.33	1.95	14.37	14.37	2.18								
	57 (13.9)		17.86	17.86	1.39	17.06	17.06	1.56	16.22	16.22	1.75	15.33	15.33	1.95	14.37	14.37	2.18								
	675	72 (22.2)		21.20	11.66	1.37	20.03	11.24	1.54	18.83	10.82	1.72	17.58	10.39	1.93	16.24	9.93	2.16							
		67 (19.4)		19.31	14.69	1.38	18.25	14.27	1.55	17.15	13.84	1.74	16.02	13.41	1.95	14.80	12.94	2.18							
		63 (17.2)††		17.98	14.18	1.44	17.00	13.76	1.60	15.96	13.32	1.77	14.86	12.87	1.96	13.68	12.37	2.17							
		62 (16.7)		17.86	17.86	1.39	17.06	17.06	1.56	16.22	16.22	1.75	15.33	15.33	1.95	14.37	14.37	2.18							
		57 (13.9)		17.86	17.86	1.39	17.06	17.06	1.56	16.22	16.22	1.75	15.33	15.33	1.95	14.37	14.37	2.18							

COOLING INDOOR MODEL	CAPACITY	POWER	COOLING INDOOR MODEL		CAPACITY	POWER	COOLING INDOOR MODEL		CAPACITY	POWER	COOLING INDOOR MODEL		CAPACITY	POWER	COOLING INDOOR MODEL		CAPACITY	POWER
			FURNACE MODEL	MODEL			FURNACE MODEL	MODEL			FURNACE MODEL	MODEL			FURNACE MODEL	MODEL		
*CAP**2414A**	1.00	1.00	CSPH*2412A**	0.99	0.88	58CV(A,X)080-16	0.99	0.88	58CV(A,X)080-16	0.99	0.88	58MV(B,C)080-14	0.99	0.87	58MV(B,C)080-14	0.99	0.87	
CAP**1814A**	0.99	1.02	CSPH*3012A**	0.99	0.87	58CV(A,X)080-16	0.99	0.87	58CV(A,X)080-16	0.99	0.87	58MV(B,C)080-14	0.99	0.87	58MV(B,C)080-14	0.99	0.87	
CAP**2417A**	1.00	1.00	CAP**2417A**	1.00	0.88	58MEB040-12	1.00	0.88	58MEB040-12	1.00	0.88	58MV(B,C)080-14	0.99	0.87	58MV(B,C)080-14	0.99	0.87	
CNP**2418A**	1.00	1.00	CAP**3014A**	0.99	0.87	58MEB040-12	0.99	0.87	58MEB040-12	0.99	0.87	58MV(B,C)080-14	0.99	0.87	58MV(B,C)080-14	0.99	0.87	
CNP**2417A**	1.00	1.00	CAP**3017A**	0.99	0.87	58MEB040-12	0.99	0.87	58MEB040-12	0.99	0.87	58MV(B,C)080-14	0.99	0.87	58MV(B,C)080-14	0.99	0.87	
CNP**1814A**	0.99	1.02	CNP**2417A**	1.00	0.88	58MEB040-12	1.00	0.88	58MEB040-12	1.00	0.88	58MV(B,C)080-14	0.99	0.87	58MV(B,C)080-14	0.99	0.87	
CNP**2414A**	1.00	1.00	CNP**3017A**	0.99	0.87	58MEB040-12	0.99	0.87	58MEB040-12	0.99	0.87	58MV(B,C)080-14	0.99	0.87	58MV(B,C)080-14	0.99	0.87	
CNP**2417A**	1.00	1.00	CNP**2417A**	1.00	0.88	58MEB040-12	1.00	0.88	58MEB040-12	1.00	0.88	58MV(B,C)080-14	0.99	0.87	58MV(B,C)080-14	0.99	0.87	
CSPH*2412A**	1.00	0.96	CNP**3014A**	0.99	0.87	58MEB040-12	0.99	0.87	58MEB040-12	0.99	0.87	58MV(B,C)080-14	0.99	0.87	58MV(B,C)080-14	0.99	0.87	
FFIENP018	0.99	1.02	CNP**3017A**	0.99	0.87	58MEB040-12	0.99	0.87	58MEB040-12	0.99	0.87	58MV(B,C)080-14	0.99	0.87	58MV(B,C)080-14	0.99	0.87	
FFIENP024	1.00	0.96	CSPH*2412A**	1.00	0.88	58MEB040-12	1.00	0.88	58MEB040-12	1.00	0.88	58MV(B,C)080-14	0.99	0.87	58MV(B,C)080-14	0.99	0.87	
FV4BNF002	1.01	0.88	CSPH*3012A**	0.99	0.87	58MEB040-12	0.99	0.87	58MEB040-12	0.99	0.87	58MV(B,C)080-14	0.99	0.87	58MV(B,C)080-14	0.99	0.87	
FX4CNF018	1.00	0.88	CAP**2417A**	1.00	0.88	58MEB060-12	1.00	0.88	58MEB060-12	1.00	0.88	58MV(B,C)080-14	0.99	0.87	58MV(B,C)080-14	0.99	0.87	
FX4CNF024	1.02	0.90	CAP**3014A**	0.99	0.87	58MEB060-12	0.99	0.87	58MEB060-12	0.99	0.87	58MV(B,C)080-14	0.99	0.87	58MV(B,C)080-14	0.99	0.87	
FY4ANF018	0.99	1.02	CAP**3017A**	0.99	0.87	58MEB060-12	0.99	0.87	58MEB060-12	0.99	0.87	58MV(B,C)080-14	0.99	0.87	58MV(B,C)080-14	0.99	0.87	
FY4ANF024	0.99	1.02	CNP**2417A**	1.00	0.88	58MEB060-12	1.00	0.88	58MEB060-12	1.00	0.88	58MV(B,C)080-14	0.99	0.87	58MV(B,C)080-14	0.99	0.87	
CAP**1814A**	0.98	0.90	CNP**3017A**	0.99	0.87	58MEB060-12	0.99	0.87	58MEB060-12	0.99	0.87	58MV(B,C)080-14	0.99	0.87	58MV(B,C)080-14	0.99	0.87	
CAP**2414A**	0.99	0.88	CNP**2417A**	1.00	0.88	58MEB060-12	1.00	0.88	58MEB060-12	1.00	0.88	58MV(B,C)080-14	0.99	0.87	58MV(B,C)080-14	0.99	0.87	
CAP**3017A**	0.99	0.87	CNP**3014A**	0.99	0.87	58MEB060-12	0.99	0.87	58MEB060-12	0.99	0.87	58MV(B,C)080-14	0.99	0.87	58MV(B,C)080-14	0.99	0.87	
CNP**2417A**	0.99	0.88	CNP**3017A**	0.99	0.87	58MEB060-12	0.99	0.87	58MEB060-12	0.99	0.87	58MV(B,C)080-14	0.99	0.87	58MV(B,C)080-14	0.99	0.87	
CNP**3017A**	0.99	0.87	CSPH*2412A**	1.00	0.88	58MEB060-12	1.00	0.88	58MEB060-12	1.00	0.88	58MV(B,C)080-14	0.99	0.87	58MV(B,C)080-14	0.99	0.87	
CNP**1814A**	0.98	0.90	CSPH*3012A**	0.99	0.87	58MEB060-12	0.99	0.87	58MEB060-12	0.99	0.87	58MV(B,C)080-14	0.99	0.87	58MV(B,C)080-14	0.99	0.87	
CNP**2414A**	0.99	0.88	CNP**2417A**	1.00	0.88	58MEB060-12	1.00	0.88	58MEB060-12	1.00	0.88	58MV(B,C)080-14	0.99	0.87	58MV(B,C)080-14	0.99	0.87	
CNP**3017A**	0.99	0.87	CNP**3014A**	0.99	0.87	58MEB060-12	0.99	0.87	58MEB060-12	0.99	0.87	58MV(B,C)080-14	0.99	0.87	58MV(B,C)080-14	0.99	0.87	
CSPH*2412A**	0.99	0.88	CNP**3017A**	0.99	0.87	58MEB060-12	0.99	0.87	58MEB060-12	0.99	0.87	58MV(B,C)080-14	0.99	0.87	58MV(B,C)080-14	0.99	0.87	
CAP**2417A**	0.99	0.88	CAP**3014A**	0.99	0.87	58MEB060-12	0.99	0.87	58MEB060-12	0.99	0.87	58MV(B,C)080-14	0.99	0.87	58MV(B,C)080-14	0.99	0.87	
CAP**3014A**	0.99	0.87	CNP**3017A**	0.99	0.87	58MEB060-12	0.99	0.87	58MEB060-12	0.99	0.87	58MV(B,C)080-14	0.99	0.87	58MV(B,C)080-14	0.99	0.87	
CAP**3017A**	0.99	0.87	CNP**2417A**	1.00	0.88	58MEB060-12	1.00	0.88	58MEB060-12	1.00	0.88	58MV(B,C)080-14	0.99	0.87	58MV(B,C)080-14	0.99	0.87	
CNP**2417A**	0.99	0.88	CNP**3014A**	0.99	0.87	58MEB060-12	0.99	0.87	58MEB060-12	0.99	0.87	58MV(B,C)080-14	0.99	0.87	58MV(B,C)080-14	0.99	0.87	
CNP**3017A**	0.99	0.87	CNP**3017A**	0.99	0.87	58MEB060-12	0.99	0.87	58MEB060-12	0.99	0.87	58MV(B,C)080-14	0.99	0.87	58MV(B,C)080-14	0.99	0.87	
CNP**2417A**	0.99	0.88	CNP**3014A**	0.99	0.87	58MEB060-12	0.99	0.87	58MEB060-12	0.99	0.87	58MV(B,C)080-14	0.99	0.87	58MV(B,C)080-14	0.99	0.87	
CNP**3017A**	0.99	0.87	CNP**3017A**	0.99	0.87	58MEB060-12	0.99	0.87	58MEB060-12	0.99	0.87	58MV(B,C)080-14	0.99	0.87	58MV(B			

DETAILED COOLING CAPACITIES# (CONT.)

EVAPORATOR AIR		CONDENSER ENTERING AIR TEMPERATURES °F (°C)																	
		75 (23.9)			85 (29.4)			95 (35)			105 (40.6)			115 (46.1)			125 (51.7)		
		CFM	EWB °F (°C)	Capacity MBtuh		Total System KW**	Capacity MBtuh		Total System KW**	Capacity MBtuh		Total System KW**	Capacity MBtuh		Total System KW**	Capacity MBtuh		Total System KW**	
Total	Sens†			Total	Sens†		Total	Sens†		Total	Sens†		Total	Sens†					
700	72 (22.2)	27.69	13.74	1.56	26.47	13.29	1.74	25.18	12.83	1.95	23.82	12.35	2.17	22.35	11.83	2.42	20.74	11.28	2.69
	67 (19.4)	25.12	16.76	1.56	23.98	16.31	1.74	22.79	15.84	1.95	21.54	15.35	2.17	20.19	14.83	2.42	18.72	14.27	2.69
	63 (17.2)†	23.30	16.20	1.56	22.23	15.74	1.74	21.12	15.27	1.94	19.94	14.78	2.17	18.67	14.26	2.42	17.30	13.69	2.69
	62 (16.7)	22.88	19.79	1.56	21.85	19.33	1.74	20.79	18.84	1.94	19.68	18.33	2.17	18.60	18.60	2.42	17.50	17.50	2.69
	57 (13.9)	22.21	22.39	1.56	21.39	21.39	1.74	20.53	20.53	1.94	19.60	19.60	2.17	18.60	18.60	2.42	17.50	17.50	2.69
	72 (22.2)	28.25	14.43	1.60	26.96	13.97	1.78	25.62	13.50	1.98	24.20	13.01	2.21	22.68	12.49	2.46	21.01	11.93	2.73
800	67 (19.4)	25.62	17.85	1.60	24.43	17.39	1.78	23.20	16.92	1.98	21.90	16.42	2.21	20.50	15.89	2.46	18.98	15.32	2.73
	63 (17.2)†	23.77	17.23	1.60	22.66	16.76	1.78	21.50	16.28	1.98	20.28	15.78	2.21	18.97	15.25	2.46	17.54	14.67	2.73
	62 (16.7)	23.44	21.28	1.60	22.40	20.78	1.78	21.36	20.39	1.98	20.39	20.39	2.21	19.32	19.32	2.46	18.14	18.14	2.73
	57 (13.9)	23.17	23.17	1.60	22.30	22.30	1.78	21.37	21.37	1.98	20.39	20.39	2.21	19.32	19.32	2.46	18.14	18.14	2.73
	72 (22.2)	28.66	15.08	1.64	27.33	14.62	1.82	25.94	14.14	2.02	24.47	13.64	2.25	22.90	13.12	2.49	21.19	12.55	2.77
	67 (19.4)	26.00	18.90	1.64	24.78	18.43	1.82	23.51	17.95	2.02	22.17	17.44	2.25	20.74	16.91	2.49	19.18	16.32	2.77
900	63 (17.2)†	24.13	18.21	1.63	22.99	17.74	1.82	21.79	17.25	2.02	20.53	16.73	2.24	19.19	16.19	2.49	17.74	15.59	2.77
	62 (16.7)	23.95	23.95	1.63	23.05	23.05	1.82	22.07	22.07	2.02	21.03	21.03	2.24	19.91	19.91	2.49	18.66	18.66	2.77
	57 (13.9)	23.98	23.98	1.63	23.05	23.05	1.82	22.08	22.08	2.02	21.03	21.03	2.24	19.91	19.91	2.49	18.66	18.66	2.77

COOLING INDOOR MODEL	CAPACITY		POWER	FURNACE MODEL	
	Total	Sens†		Total	Sens†
*CAP**2414A**	1.00	1.00	1.00	58CV(A,X)090-16	58MEB060-12
CAP**2417A**	1.00	1.00	0.89	58CV(A,X)090-16	58MEB060-12
CAP**3014A**	1.01	0.98	0.89	58CV(A,X)090-16	58MEB060-12
CAP**3017A**	1.01	0.98	0.89	58CV(A,X)090-16	58MEB060-12
CNP**2418A**	1.00	1.00	0.89	58CV(A,X)090-16	58MEB060-12
CNP**2417A**	1.00	1.00	0.89	58CV(A,X)090-16	58MEB060-12
CNP**3017A**	1.01	0.98	0.89	58CV(A,X)110-20	58MEB060-12
CNP**2414A**	1.00	1.00	0.89	58CV(A,X)110-20	58MEB060-12
CNP**2417A**	1.00	1.00	0.89	58CV(A,X)110-20	58MEB060-12
CNP**3014A**	1.01	0.98	0.89	58CV(A,X)110-20	58MEB060-12
CNP**3017A**	1.01	0.98	0.89	58CV(A,X)110-20	58MEB060-12
CSPH**2412A**	1.00	1.00	0.91	58CV(A,X)135-22	58MEB060-12
CSPH**3012A**	1.01	0.98	0.90	58CV(A,X)135-22	58MEB060-12
FE4AN(F)003	1.02	0.90	0.91	58CV(A,X)135-22	58MEB060-12
FE4ANF002	1.01	0.89	0.89	58CV(A,X)155-22	58MEB060-12
FE4ANF024	1.04	0.92	0.89	58CV(A,X)155-22	58MEB060-12
FF1ENP024	0.98	0.96	0.90	58CV(A,X)155-22	58MEB060-12
FF1ENP030	0.99	0.99	0.91	58CV(A,X)155-22	58MEB060-12
FV4BN(B,F)003	1.02	0.90	0.90	58HDV040-12	58MV(B,C)040-14
FV4BNF002	1.01	0.89	0.90	58HDV060-12	58MV(B,C)040-14
FV4CNF024	1.01	0.94	0.90	58MEB040-12	58MV(B,C)040-14
FV4CNF030	1.02	0.92	0.90	58MEB040-12	58MV(B,C)040-14
FV4ANF024	0.99	1.02	0.90	58MEB040-12	58MV(B,C)060-14
FV4ANF030	1.00	0.98	0.90	58MEB040-12	58MV(B,C)060-14
CAP**2414A**	0.99	0.99	0.89	58MEB040-12	58MV(B,C)060-14
CAP**3014A**	1.00	1.00	0.90	58MEB040-12	58MV(B,C)060-14
CNP**2417A**	1.00	0.98	0.88	58MEB040-12	58MV(B,C)060-14
CNP**3017A**	1.00	0.90	0.88	58MEB040-12	58MV(B,C)060-14
CNP**2414A**	0.98	0.98	0.88	58MEB040-12	58MV(B,C)060-14
CNP**3014A**	1.00	0.90	0.88	58MEB040-12	58MV(B,C)060-14
CSPH**2412A**	0.99	0.99	0.89	58MEB060-12	58MV(B,C)060-14
CSPH**3012A**	1.00	0.99	0.89	58MEB060-12	58MV(B,C)060-14
CAP**2417A**	0.99	0.99	0.89	58MEB060-12	58MV(B,C)060-14
CAP**3017A**	1.00	0.99	0.89	58MEB060-12	58MV(B,C)060-14
CNP**2414A**	0.99	0.99	0.89	58MEB060-12	58MV(B,C)060-14
CNP**3014A**	1.00	0.99	0.89	58MEB060-12	58MV(B,C)060-14
CSPH**2412A**	0.99	0.99	0.89	58MEB060-12	58MV(B,C)060-14
CSPH**3012A**	1.00	0.99	0.89	58MEB060-12	58MV(B,C)060-14
CAP**2417A**	0.99	0.99	0.89	58MEB060-12	58MV(B,C)060-14
CAP**3017A**	1.00	0.99	0.89	58MEB060-12	58MV(B,C)060-14
CNP**2414A**	0.99	0.99	0.89	58MEB060-12	58MV(B,C)060-14
CNP**3014A**	1.00	0.99	0.89	58MEB060-12	58MV(B,C)060-14

24ABBA

DETAILED COOLING CAPACITIES# (CONT.)

24ABB424(A,W)30 Outdoor Section With CAP**2414A* Indoor Section

COOLING INDOOR MODEL	CAPACITY	POWER	FURNACE MODEL
CNPH*3017A**	0.99	0.89	58MV(B.C)080-20
CSPH*2412A**	0.99	0.89	58MV(B.C)080-20
CSPH*3012A**	0.99	0.89	58MV(B.C)080-20
CNPH*2417A**	0.99	0.89	58MV(B.C)100-20
CNPH*3017A**	1.00	0.90	58MV(B.C)100-20
CSPH*2412A**	1.00	0.90	58MV(B.C)100-20
CSPH*3012A**	1.01	0.91	58MV(B.C)100-20
CNPH*2417A**	0.98	0.92	58MV(B.C)120-20
CNPH*3017A**	1.00	0.90	58MV(B.C)120-20
CSPH*2412A**	1.00	0.90	58MV(B.C)120-20
CSPH*3012A**	1.00	0.90	58MV(B.C)120-20
CAP**2414A**	1.00	0.90	58PH*045-08
CAP**3014A**	1.01	0.91	58PH*045-08
CNPH*2417A**	0.99	0.93	58PH*045-08
CNPH*3017A**	1.01	0.91	58PH*045-08
CNPV*2414A**	0.99	0.93	58PH*045-08
CNPV*3014A**	1.01	0.91	58PH*045-08
CSPH*2412A**	0.99	0.93	58PH*045-08
CSPH*3012A**	1.01	0.91	58PH*045-08
CAP**3014A**	1.00	0.90	58VLR105-12
CAP**3017A**	1.00	0.90	58VLR105-12
CAP**3614A**	1.00	0.90	58VLR105-12
CAP**3617A**	1.00	0.90	58VLR105-12
CAP**3621A**	1.00	0.90	58VLR105-12
CNPH*3017A**	1.00	0.90	58VLR105-12
CNPH*3617A**	1.00	0.90	58VLR105-12
CNPV*3017A**	1.00	0.90	58VLR105-12
CNPV*3617A**	1.00	0.90	58VLR105-12
CNPV*3621A**	1.00	0.90	58VLR105-12
CSPH*3012A**	1.00	0.90	58VLR105-12
CSPH*3612A**	1.00	0.90	58VLR105-12
CAP**3014A**	1.00	0.90	58VMR105-12
CAP**3017A**	1.00	0.90	58VMR105-12
CAP**3614A**	1.00	0.90	58VMR105-12
CAP**3617A**	1.00	0.90	58VMR105-12
CAP**3621A**	1.00	0.90	58VMR105-12
CNPH*3017A**	1.00	0.90	58VMR105-12
CNPH*3617A**	1.00	0.90	58VMR105-12
CNPV*3014A**	1.00	0.90	58VMR105-12
CNPV*3017A**	1.00	0.90	58VMR105-12
CNPV*3617A**	1.00	0.90	58VMR105-12
CSPH*3012A**	1.00	0.90	58VMR105-12
CSPH*3612A**	1.00	0.90	58VMR105-12

See notes on pg. 47

DETAILED COOLING CAPACITIES# (CONT.)

EVAPORATOR AIR		CONDENSER ENTERING AIR TEMPERATURES °F (°C)															
		75 (23.9)		85 (29.4)		95 (35)		105 (40.6)		115 (46.1)		125 (51.7)					
		Capacity MBtuh	Total System KWh**	Capacity MBtuh	Total System KWh**	Capacity MBtuh	Total System KWh**	Capacity MBtuh	Total System KWh**	Capacity MBtuh	Total System KWh**	Capacity MBtuh	Total System KWh**				
875	72 (22.2)	34.32	1.96	16.71	2.19	31.24	16.13	2.44	29.59	15.54	27.80	14.90	3.01	25.81	14.20	3.34	
	67 (19.4)	31.45	1.96	20.64	2.18	28.59	20.05	2.43	27.04	19.44	25.38	18.78	3.01	23.54	18.08	3.33	
	63 (17.2)†	29.35	20.58	1.96	20.00	2.18	26.66	19.40	2.43	25.19	18.78	23.61	18.11	3.00	21.89	17.40	3.33
	62 (16.7)	28.82	25.13	1.95	27.56	2.18	26.24	23.94	2.43	24.86	23.29	23.47	23.47	3.00	22.07	22.07	3.33
	57 (13.9)	28.00	26.98	1.95	26.98	2.18	25.89	25.89	2.43	24.74	24.74	23.48	23.48	3.00	22.07	22.07	3.33
1000	72 (22.2)	34.88	2.01	17.49	2.23	31.66	16.90	2.48	29.96	16.30	28.11	15.65	3.06	26.06	14.95	3.38	
	67 (19.4)	31.98	22.49	2.01	21.91	2.23	29.00	21.31	2.48	27.40	20.68	20.03	3.05	23.80	19.31	3.38	
	63 (17.2)†	29.88	21.78	2.00	28.51	2.23	27.07	20.58	2.48	25.55	19.95	19.29	3.05	22.15	18.55	3.37	
	62 (16.7)	29.44	26.90	2.00	28.16	2.23	26.81	26.81	2.48	25.62	25.62	24.28	3.05	22.79	22.79	3.38	
	57 (13.9)	29.10	28.01	2.00	28.01	2.23	26.85	26.85	2.48	25.62	25.62	24.28	3.05	22.79	22.79	3.38	
1125	72 (22.2)	35.27	2.06	18.21	2.28	31.96	17.61	2.53	30.22	17.01	28.32	16.36	3.11	26.21	15.64	3.43	
	67 (19.4)	32.36	23.68	2.05	30.87	2.28	29.29	22.50	2.53	27.66	21.88	21.21	3.10	23.99	20.48	3.43	
	63 (17.2)†	30.25	22.90	2.05	28.84	2.28	27.36	21.70	2.52	25.82	21.07	20.39	3.10	22.35	19.63	3.42	
	62 (16.7)	30.02	28.49	2.05	28.84	2.28	27.62	27.62	2.52	26.32	26.32	24.92	3.10	23.95	23.95	3.42	
	57 (13.9)	29.99	28.84	2.05	28.84	2.28	27.62	27.62	2.52	26.32	26.32	24.92	3.10	23.95	23.95	3.42	

COOLING INDOOR MODEL	CAPACITY		POWER	FURNACE MODEL	
	Total	Sens†		Total	Sens†
*CAP**3014A**	1.00	1.00	1.00	58CV(A.X)090-16	58CV(A.X)155-22
CAP**3017A**	1.00	1.00	0.90	58CV(A.X)090-16	58CV(A.X)155-22
CAP**3614A**	0.97	0.97	0.90	58CV(A.X)090-16	58CV(A.X)155-22
CAP**3617A**	1.01	1.01	0.89	58CV(A.X)090-16	58CV(A.X)155-22
CAP**3621A**	1.01	1.01	0.89	58CV(A.X)090-16	58CV(A.X)155-22
CNPF**3618A**	1.00	1.00	0.94	58CV(A.X)090-16	58HDV040-12
CNPH**3017A**	1.00	1.00	0.90	58CV(A.X)090-16	58HDV040-12
CNPH**3617A**	1.00	1.00	0.89	58CV(A.X)090-16	58HDV060-12
CNPV**3014A**	1.00	1.00	0.89	58CV(A.X)090-16	58HDV060-12
CNPV**3017A**	1.00	1.00	0.90	58CV(A.X)090-16	58HDV080-12
CNPV**3617A**	1.00	1.00	0.90	58CV(A.X)090-16	58HDV100-20
CSPH**3612A**	1.00	1.00	0.90	58CV(A.X)090-16	58MEB040-12
CSPH**3612A**	1.01	1.01	0.91	58CV(A.X)090-16	58MEB040-12
FE4AN(B,F)005	1.03	0.92	0.92	58CV(A.X)110-20	58MEB040-12
FE4ANF002	1.00	0.94	0.90	58CV(A.X)110-20	58MEB040-12
FE5ANB004	1.04	0.92	0.90	58CV(A.X)110-20	58MEB040-12
FF1ENP030	0.99	0.99	0.90	58CV(A.X)110-20	58MEB040-12
FF1ENP036	1.01	1.01	0.90	58CV(A.X)110-20	58MEB040-12
FV4BN(B,F)003	1.01	0.91	0.90	58CV(A.X)110-20	58MEB040-12
FV4BN(B,F)005	1.03	0.92	0.90	58CV(A.X)110-20	58MEB040-12
FV4BNF002	1.00	0.94	0.90	58CV(A.X)110-20	58MEB040-12
FV4CN(B,F)036	1.00	0.97	0.90	58CV(A.X)110-20	58MEB040-12
FV4ANF030	1.01	0.94	0.90	58CV(A.X)110-20	58MEB040-12
FV4ANF036	0.99	0.99	0.90	58CV(A.X)110-20	58MEB040-12
CAP**3014A**	1.00	1.00	0.90	58CV(A.X)110-20	58MEB040-12
CAP**3614A**	0.99	0.93	0.90	58CV(A.X)110-20	58MEB040-12
CNPH**3017A**	0.99	0.93	0.90	58CV(A.X)110-20	58MEB040-12
CNPH**3617A**	0.99	0.93	0.90	58CV(A.X)110-20	58MEB040-12
CNPV**3014A**	0.99	0.93	0.90	58CV(A.X)110-20	58MEB040-12
CSPH**3012A**	1.00	0.94	0.90	58CV(A.X)135-22	58MEB060-12
CSPH**3612A**	1.00	0.90	0.90	58CV(A.X)135-22	58MEB060-12
CSPH**4812A**	1.00	0.90	0.90	58CV(A.X)135-22	58MEB060-12
CAP**3017A**	0.99	0.89	0.90	58CV(A.X)135-22	58MEB060-12
CAP**3617A**	1.00	1.00	0.90	58CV(A.X)135-22	58MEB060-12
CSPH**3612A**	1.00	1.00	0.90	58CV(A.X)135-22	58MEB060-12

24ABBA

DETAILED COOLING CAPACITIES# (CONT.)

24ABB436(A,W)30 Outdoor Section With CAP**4221A** Indoor Section

COOLING INDOOR MODEL	CAPACITY	POWER	FURNACE MODEL
CNPH*4221A**	1.00	0.96	58PH*110-20
CNPH*4821A**	1.00	0.92	58PH*110-20
CNPH*6024A**	1.00	0.92	58PH*110-20
CNPV*3621A**	0.99	0.95	58PH*110-20
CNPV*4221A**	1.00	0.96	58PH*110-20
CNPV*4821A**	1.00	0.92	58PH*110-20
CNPV*4824A**	1.00	0.92	58PH*110-20
CNPV*6024A**	1.00	0.95	58PH*110-20
CSPH*3612A**	0.99	0.96	58PH*110-20
CSPH*4212A**	1.00	0.96	58PH*110-20
CSPH*4812A**	1.00	0.92	58PH*110-20
CSPH*6012A**	1.00	0.92	58PH*110-20
CAP**4824A**	1.00	0.92	58VLR120-20
CAP**6021A**	1.00	0.92	58VLR120-20
CAP**6024A**	1.00	0.92	58VLR120-20
CNPH*4821A**	0.99	0.92	58VLR120-20
CNPH*6024A**	1.00	0.92	58VLR120-20
CNPV*4821A**	1.00	0.92	58VLR120-20
CNPV*4824A**	1.00	0.92	58VLR120-20
CNPV*6024A**	1.00	0.92	58VLR120-20
CSPH*4812A**	1.00	0.92	58VLR120-20
CSPH*6012A**	1.00	0.92	58VLR120-20
CAP**4824A**	1.00	0.96	58VMR120-20
CAP**6021A**	1.00	0.92	58VMR120-20
CAP**6024A**	1.00	0.92	58VMR120-20
CNPH*4821A**	0.98	0.91	58VMR120-20
CNPH*6024A**	1.00	0.92	58VMR120-20
CNPV*4821A**	0.98	0.91	58VMR120-20
CNPV*4824A**	0.98	0.94	58VMR120-20
CNPV*6024A**	1.00	0.92	58VMR120-20
CSPH*4812A**	1.00	0.96	58VMR120-20
CSPH*6012A**	1.00	0.92	58VMR120-20

See notes on pg. 47

DETAILED COOLING CAPACITIES# (CONT.)

EVAPORATOR AIR		CONDENSER ENTERING AIR TEMPERATURES °F (°C)																	
		75 (23.9)		85 (29.4)		95 (35)		105 (40.6)		115 (46.1)		125 (51.7)							
CFM	EWB °F (°C)	Capacity MBtuh		Total System KW**	Capacity MBtuh		Total System KW**	Capacity MBtuh		Total System KW**	Capacity MBtuh		Total System KW**						
		Total	Sens†		Total	Sens†		Total	Sens†		Total	Sens†							
1400	72 (22.2)	57.54	29.08	3.21	54.91	28.10	3.66	52.22	27.11	4.12	49.43	26.10	4.59	46.46	25.03	5.09	43.18	23.88	5.66
	67 (19.4)	52.60	35.60	3.24	50.19	34.61	3.67	47.73	33.62	4.10	45.16	32.59	4.55	42.41	31.50	5.06	39.40	30.33	5.62
	63 (17.2)†	49.11	34.57	3.26	46.86	33.58	3.67	44.56	32.57	4.08	42.14	31.53	4.53	39.56	30.44	5.03	36.72	29.25	5.60
	62 (16.7)	48.14	42.09	3.26	45.97	41.09	3.66	43.75	40.07	4.08	41.45	38.99	4.52	39.06	30.06	5.02	36.78	36.78	5.60
	57 (13.9)	46.53	46.53	3.26	44.81	44.81	3.66	43.02	43.02	4.07	41.13	41.13	4.62	39.07	39.07	5.02	36.78	36.78	5.60
	72 (22.2)	58.62	30.51	3.27	55.85	29.51	3.73	53.04	28.50	4.19	50.14	27.47	4.66	47.06	26.39	5.17	43.67	25.22	5.74
1600	67 (19.4)	53.60	37.89	3.30	51.08	36.88	3.74	48.50	35.86	4.17	45.83	34.82	4.63	42.99	33.72	5.13	39.88	32.52	5.70
	63 (17.2)†	50.08	36.71	3.32	47.72	35.70	3.74	45.31	34.68	4.16	42.81	33.63	4.61	40.14	32.51	5.11	37.20	31.30	5.68
	62 (16.7)	49.23	45.22	3.32	46.99	44.16	3.74	44.76	44.49	4.16	42.69	42.69	4.61	40.49	40.49	5.11	38.05	38.05	5.68
	57 (13.9)	48.50	48.50	3.33	46.64	46.64	3.74	44.72	44.72	4.16	42.69	42.69	4.61	40.50	40.50	5.11	38.05	38.05	5.68
	72 (22.2)	59.40	31.86	3.33	56.54	30.84	3.80	53.64	29.82	4.26	50.65	28.78	4.74	47.47	27.68	5.25	43.99	26.50	5.81
	67 (19.4)	54.34	40.07	3.36	51.73	39.04	3.81	49.07	36.01	4.25	46.33	36.96	4.71	43.41	35.84	5.21	40.23	34.61	5.78
1800	63 (17.2)†	50.79	38.76	3.39	48.35	37.73	3.81	45.87	36.70	4.23	43.30	35.63	4.69	40.56	34.49	5.19	37.56	33.24	5.76
	62 (16.7)	50.22	49.72	3.39	48.15	48.15	3.81	46.11	46.11	4.24	43.96	43.96	4.69	41.64	41.64	5.19	39.07	39.07	5.77
	57 (13.9)	50.13	50.13	3.39	48.15	48.15	3.81	46.11	46.11	4.24	43.96	43.96	4.69	41.64	41.64	5.19	39.07	39.07	5.77

24ABB4(A,W)30 Outdoor Section With CAP**6024A* Indoor Section

COOLING INDOOR MODEL	CAPACITY	POWER	FURNACE MODEL		COOLING INDOOR MODEL	CAPACITY	POWER	FURNACE MODEL		COOLING INDOOR MODEL	CAPACITY	POWER	FURNACE MODEL	
			COOLING	FURNACE				COOLING	FURNACE				COOLING	FURNACE
*CAP**6024A**	1.00	1.00	58CV(A,X)110-20	58CV(A,X)110-20	CSPH**6012A**	1.00	0.94	58CV(A,X)110-20	58CV(A,X)110-20	CAP**4824A**	0.98	0.95	58MEB120-20	58MEB120-20
CAP**4817A**	0.97	0.97	58CV(A,X)110-20	58CV(A,X)110-20	CSPH**6012A**	0.99	0.93	58CV(A,X)110-20	58CV(A,X)110-20	CAP**6024A**	1.00	0.94	58MEB120-20	58MEB120-20
CAP**4824A**	0.99	1.01	58CV(A,X)135-22	58CV(A,X)135-22	CAP**4824A**	0.98	0.94	58CV(A,X)135-22	58CV(A,X)135-22	CNPV**6024A**	1.00	0.96	58MEB120-20	58MEB120-20
CAP**6024A**	1.00	1.00	58CV(A,X)135-22	58CV(A,X)135-22	CNPV**4821A**	0.98	0.94	58CV(A,X)135-22	58CV(A,X)135-22	CNPV**6024A**	1.00	0.94	58MEB120-20	58MEB120-20
CNPF**4818A**	0.97	0.99	58CV(A,X)135-22	58CV(A,X)135-22	CNPV**6024A**	1.00	0.94	58CV(A,X)135-22	58CV(A,X)135-22	CNPV**4824A**	0.98	0.95	58MEB120-20	58MEB120-20
CNPV**4821A**	0.99	1.01	58CV(A,X)135-22	58CV(A,X)135-22	CNPV**4824A**	0.98	0.94	58CV(A,X)135-22	58CV(A,X)135-22	CNPV**6024A**	1.00	0.94	58MEB120-20	58MEB120-20
CNPV**6024A**	1.00	1.00	58CV(A,X)135-22	58CV(A,X)135-22	CNPV**6024A**	1.00	0.94	58CV(A,X)135-22	58CV(A,X)135-22	CNPV**6024A**	1.00	0.94	58MEB120-20	58MEB120-20
CNPV**4821A**	0.99	1.01	58CV(A,X)135-22	58CV(A,X)135-22	CSPH**4812A**	0.99	0.95	58CV(A,X)135-22	58CV(A,X)135-22	CSPH**4812A**	1.00	0.94	58MEB120-20	58MEB120-20
CNPV**4824A**	0.99	1.01	58CV(A,X)135-22	58CV(A,X)135-22	CAP**4824A**	0.98	0.94	58CV(A,X)135-22	58CV(A,X)135-22	CSPH**6012A**	1.00	0.94	58MEB120-20	58MEB120-20
CNPV**6024A**	1.00	1.00	58CV(A,X)155-22	58CV(A,X)155-22	CAP**6024A**	1.00	0.94	58CV(A,X)155-22	58CV(A,X)155-22	CAP**6021A**	0.99	0.95	58MV(B,C)080-20	58MV(B,C)080-20
FE4AN(B,F)005	1.00	0.94	58CV(A,X)155-22	58CV(A,X)155-22	CNPV**4821A**	0.98	0.92	58CV(A,X)155-22	58CV(A,X)155-22	CNPV**4821A**	0.97	0.94	58MV(B,C)100-20	58MV(B,C)100-20
FE4AN(B,F)006	1.00	0.90	58CV(A,X)155-22	58CV(A,X)155-22	CNPV**4824A**	1.00	0.94	58CV(A,X)155-22	58CV(A,X)155-22	CNPV**6024A**	0.99	0.95	58MV(B,C)100-20	58MV(B,C)100-20
FV4BN(B,F)005	1.00	0.94	58CV(A,X)155-22	58CV(A,X)155-22	CSPH**4812A**	1.00	0.94	58CV(A,X)155-22	58CV(A,X)155-22	CNPV**4821A**	0.97	0.94	58MV(B,C)100-20	58MV(B,C)100-20
FV4BN(B,F)006	1.00	0.90	58CV(A,X)155-22	58CV(A,X)155-22	CSPH**4812A**	0.98	0.94	58CV(A,X)155-22	58CV(A,X)155-22	CNPV**4824A**	0.97	0.95	58MV(B,C)100-20	58MV(B,C)100-20
FV4CN(B,F)006	1.02	0.96	58MEB080-16	58MEB080-16	CAP**4817A**	0.98	0.95	58MEB080-16	58MEB080-16	CAP**4821A**	0.97	0.94	58MV(B,C)100-20	58MV(B,C)100-20
FV4AN(B,F)005	1.00	1.00	58MEB080-16	58MEB080-16	CNPV**4821A**	0.98	0.95	58MEB080-16	58MEB080-16	CAP**6021A**	0.99	0.95	58MV(B,C)100-20	58MV(B,C)100-20
FV4AN(B,F)006	1.00	1.02	58MEB080-16	58MEB080-16	CNPV**6024A**	0.98	0.96	58MEB080-16	58MEB080-16	CNPV**4821A**	0.97	0.94	58MV(B,C)100-20	58MV(B,C)100-20
CAP**4817A**	0.97	0.94	58CV(A,X)090-16	58CV(A,X)090-16	CNPV**4821A**	0.98	0.95	58MEB100-20	58MEB100-20	CNPV**4821A**	0.97	0.94	58MV(B,C)120-20	58MV(B,C)120-20
CNPV**4821A**	0.98	0.95	58CV(A,X)090-16	58CV(A,X)090-16	CSPH**4812A**	1.00	0.94	58MEB100-20	58MEB100-20	CNPV**6024A**	0.99	0.95	58MV(B,C)120-20	58MV(B,C)120-20
CNPV**6024A**	0.99	0.95	58CV(A,X)090-16	58CV(A,X)090-16	CAP**6021A**	0.98	0.94	58MEB100-20	58MEB100-20	CNPV**4821A**	0.97	0.94	58MV(B,C)120-20	58MV(B,C)120-20
CSPH**4812A**	0.98	0.95	58CV(A,X)090-16	58CV(A,X)090-16	CNPV**4821A**	1.00	0.94	58MEB100-20	58MEB100-20	CNPV**4824A**	0.97	0.95	58MV(B,C)120-20	58MV(B,C)120-20
CSPH**6012A**	1.00	0.96	58CV(A,X)090-16	58CV(A,X)090-16	CNPV**6024A**	0.98	0.94	58MEB100-20	58MEB100-20	CNPV**6024A**	0.99	0.95	58MV(B,C)120-20	58MV(B,C)120-20
CAP**4821A**	0.97	0.94	58CV(A,X)110-20	58CV(A,X)110-20	CNPV**4821A**	1.00	0.94	58MEB100-20	58MEB100-20	CNPV**4821A**	0.98	0.95	58MV(B,C)120-20	58MV(B,C)120-20
CNPV**4821A**	0.99	0.93	58CV(A,X)110-20	58CV(A,X)110-20	CSPH**6012A**	1.00	0.94	58MEB100-20	58MEB100-20	CAP**4817A**	0.97	0.94	58MV(B,C)120-20	58MV(B,C)120-20
CNPV**4821A**	0.98	0.94	58CV(A,X)110-20	58CV(A,X)110-20	CSPH**4812A**	0.98	0.94	58MEB100-20	58MEB100-20	CAP**6024A**	0.99	1.00	58PH**070-16	58PH**070-16
CNPV**6024A**	0.99	0.95	58CV(A,X)110-20	58CV(A,X)110-20	CSPH**6012A**	1.00	0.94	58MEB100-20	58MEB100-20					

DETAILED COOLING CAPACITIES# (CONT.)

24ABB448(A,W)30 Outdoor Section With CAP**6024A* Indoor Section

COOLING INDOOR MODEL	CAPACITY	POWER	FURNACE MODEL
CNPH*4821A**	0.97	1.01	58PH*070-16
CNPH*6024A**	0.99	1.01	58PH*070-16
CSPH*4812A**	0.97	1.01	58PH*070-16
CSPH*6012A**	0.99	1.01	58PH*070-16
CAP**4821A**	0.98	0.95	58PH*090-16
CAP**6021A**	0.99	0.95	58PH*090-16
CNPH*4821A**	0.98	0.95	58PH*090-16
CNPH*6024A**	1.00	0.96	58PH*090-16
CNPV*4821A**	0.98	0.95	58PH*090-16
CSPH*4812A**	0.98	0.95	58PH*090-16
CSPH*6012A**	1.00	0.96	58PH*090-16
CAP**4821A**	0.98	0.94	58PH*110-20
CAP**6021A**	0.99	0.93	58PH*110-20
CNPH*4821A**	0.98	0.94	58PH*110-20
CNPH*6024A**	1.00	0.94	58PH*110-20
CNPH*6024A**	1.00	0.94	58PH*110-20
CNPV*4821A**	0.98	0.94	58PH*110-20
CNPV*6024A**	1.00	0.94	58PH*110-20
CSPH*4812A**	0.98	0.94	58PH*110-20
CSPH*6012A**	1.00	0.94	58PH*110-20
CAP**4824A**	0.98	0.94	58PH*135-20
CAP**6024A**	1.00	0.96	58PH*135-20
CNPH*4821A**	0.98	0.94	58PH*135-20
CNPH*6024A**	1.00	0.96	58PH*135-20
CNPV*4824A**	0.98	0.94	58PH*135-20
CNPV*6024A**	1.00	0.94	58PH*135-20
CNPH*4824A**	0.98	0.94	58PH*135-20
CNPH*6012A**	0.98	0.94	58PH*135-20
CSPH*4812A**	0.98	0.94	58PH*135-20
CSPH*6012A**	1.00	0.94	58PH*135-20

See notes on pg. 47

DETAILED COOLING CAPACITIES# (CONT.)

EVAPORATOR AIR		CONDENSER ENTERING AIR TEMPERATURES °F (°C)												Total System KW**		Capacity MBtuh		125 (51.7)	
		75 (23.9)			85 (29.4)			95 (35)			105 (40.6)								
CFM	EWB °F (°C)	Capacity MBtuh		Total System KW**	Capacity MBtuh		Total System KW**	Capacity MBtuh		Total System KW**	Capacity MBtuh		Total System KW**	Capacity MBtuh		Total System KW**	Capacity MBtuh		Total System KW**
		Total	Sens†		Total	Sens†		Total	Sens†		Total	Sens†		Total	Sens†		Total	Sens†	
1400	72 (22.2)	55.71	27.90	2.67	52.91	26.91	3.09	50.01	25.90	3.52	47.00	24.87	3.95	43.85	23.81	4.41	40.51	22.89	4.89
	67 (19.4)	46.73	32.94	2.83	47.96	33.34	3.22	45.37	32.35	3.61	42.67	31.33	4.01	39.85	30.28	4.44	36.84	29.16	4.91
	63 (17.2)†	46.73	32.94	2.93	44.44	31.98	3.29	42.06	31.01	3.66	39.59	30.00	4.05	36.99	28.96	4.46	34.22	27.85	4.92
	62 (16.7)	45.93	40.65	2.94	43.75	39.65	3.30	41.55	41.29	3.66	38.51	39.51	4.04	37.39	37.39	4.46	35.08	35.08	4.91
	57 (13.9)	45.05	45.05	2.96	43.28	43.28	3.31	41.43	41.43	3.66	39.45	39.45	4.04	37.34	37.34	4.46	35.03	35.03	4.91
	62 (16.7)	56.66	29.33	2.72	53.70	28.32	3.15	50.67	27.29	3.59	47.54	26.24	4.03	44.26	25.15	4.49	40.81	24.02	4.98
1600	72 (22.2)	51.35	36.61	2.88	48.71	35.62	3.00	46.06	33.60	3.68	43.20	33.56	4.09	40.27	32.47	4.53	37.17	31.32	5.00
	67 (19.4)	47.56	35.07	2.99	45.15	34.09	3.36	42.68	33.09	3.74	40.11	32.06	4.13	37.41	30.98	4.55	34.56	29.83	5.01
	63 (17.2)†	47.06	46.71	3.00	45.06	45.06	3.36	43.04	43.04	3.73	40.91	40.91	4.12	38.62	38.62	4.54	36.15	36.15	5.00
	62 (16.7)	46.92	46.92	3.00	44.99	44.99	3.36	42.98	42.98	3.73	40.85	40.85	4.12	38.57	38.57	4.54	36.11	36.11	5.00
	57 (13.9)	57.33	30.68	2.77	54.27	29.65	3.22	51.13	28.60	3.66	47.88	27.53	4.11	44.52	26.43	4.57	40.96	25.28	5.07
	67 (19.4)	51.99	38.81	2.94	49.25	37.79	3.35	46.46	36.75	3.76	43.57	35.67	4.17	40.57	34.55	4.62	37.43	33.33	5.09
1800	72 (22.2)	48.17	37.10	3.06	45.68	36.10	3.44	43.11	35.07	3.82	40.47	34.01	4.21	37.72	32.88	4.64	34.82	31.85	5.10
	67 (16.7)†	48.51	48.51	3.04	46.44	46.44	3.41	44.29	44.29	3.79	42.02	42.02	4.19	39.60	39.60	4.62	36.98	36.98	5.09
	62 (16.7)	48.45	48.45	3.04	46.38	46.38	3.42	44.24	44.24	3.79	41.97	41.97	4.19	39.55	39.55	4.62	36.94	36.94	5.09
	57 (13.9)	48.45	48.45	3.04	46.38	46.38	3.42	44.24	44.24	3.79	41.97	41.97	4.19	39.55	39.55	4.62	36.94	36.94	5.09
	67 (19.4)	48.45	48.45	3.04	46.38	46.38	3.42	44.24	44.24	3.79	41.97	41.97	4.19	39.55	39.55	4.62	36.94	36.94	5.09
	62 (16.7)	48.45	48.45	3.04	46.38	46.38	3.42	44.24	44.24	3.79	41.97	41.97	4.19	39.55	39.55	4.62	36.94	36.94	5.09

COOLING INDOOR MODEL	CAPACITY	POWER	FURNACE MODEL	COOLING INDOOR MODEL	CAPACITY	POWER	FURNACE MODEL	COOLING INDOOR MODEL	CAPACITY	POWER	FURNACE MODEL	COOLING INDOOR MODEL	CAPACITY	POWER	FURNACE MODEL
CAP**4817A**	0.96	0.96		CNPH*6024A**	0.99	0.95	58CV(A,X)110-20	CAP**6021A**	0.99	0.95	58CV(A,X)110-20	CAP**6021A**	0.99	0.95	58MEB080-16
CAP**4821A**	0.98	1.02		CNPH*4821A**	0.97	0.97	58CV(A,X)110-20	CNPH*4821A**	0.97	0.97	58CV(A,X)110-20	CNPH*4821A**	0.98	0.98	58MEB080-16
CAP**4824A**	0.98	1.02		CNPH*4824A**	0.97	0.97	58CV(A,X)110-20	CNPH*4824A**	0.97	0.97	58CV(A,X)110-20	CNPH*4824A**	0.98	0.98	58MEB080-16
CAP**6021A**	0.99	0.99		CNPH*6024A**	0.99	0.95	58CV(A,X)110-20	CNPH*6024A**	0.99	0.95	58CV(A,X)110-20	CNPH*6024A**	0.98	0.98	58MEB080-16
CNPF*4818A**	0.96	1.00		CSPH*4812A**	0.98	0.98	58CV(A,X)110-20	CSPH*4812A**	0.98	0.98	58CV(A,X)110-20	CSPH*4812A**	0.98	0.98	58MEB080-16
CNPH*4821A**	0.98	1.02		CSPH*6012A**	0.99	0.95	58CV(A,X)110-20	CSPH*6012A**	0.99	0.95	58CV(A,X)110-20	CSPH*6012A**	1.00	1.00	58MEB080-16
CNPH*6024A**	0.98	1.00		CAP**4821A**	0.97	0.97	58CV(A,X)135-22	CAP**4817A**	0.97	0.97	58CV(A,X)135-22	CAP**4817A**	0.96	0.92	58MEB100-20
CNPH*4821A**	0.98	1.02		CAP**4824A**	0.97	0.97	58CV(A,X)135-22	CAP**4824A**	0.97	0.97	58CV(A,X)135-22	CAP**4824A**	0.97	0.97	58MEB100-20
CNPH*4824A**	0.98	1.02		CAP**6021A**	0.98	0.94	58CV(A,X)135-22	CAP**6021A**	0.98	0.94	58CV(A,X)135-22	CAP**6021A**	0.97	0.97	58MEB100-20
CNPH*6024A**	0.98	1.00		CAP**6024A**	0.99	0.95	58CV(A,X)135-22	CAP**6024A**	0.99	0.95	58CV(A,X)135-22	CAP**6024A**	0.97	0.95	58MEB100-20
CSPH*4812A**	0.98	0.98		CNPH*4821A**	0.97	0.93	58CV(A,X)135-22	CNPH*4821A**	0.97	0.93	58CV(A,X)135-22	CNPH*4821A**	0.89	0.95	58MEB100-20
CSPH*6012A**	1.00	1.00		CNPH*6024A**	0.99	0.95	58CV(A,X)135-22	CNPH*6024A**	0.99	0.95	58CV(A,X)135-22	CNPH*6024A**	0.98	0.98	58MEB100-20
FE4AN(B,F)005	1.00	0.95		CNPH*4821A**	0.97	0.97	58CV(A,X)135-22	CNPH*4821A**	0.97	0.97	58CV(A,X)135-22	CNPH*4821A**	0.98	0.95	58MEB100-20
FE4AN(B,F)006	1.00	0.96		CNPH*4824A**	0.97	0.93	58CV(A,X)135-22	CNPH*4824A**	0.97	0.93	58CV(A,X)135-22	CNPH*4824A**	0.98	0.95	58MEB100-20
FV4BN(B,F)005	1.00	0.95		CNPH*6024A**	0.99	0.95	58CV(A,X)135-22	CNPH*6024A**	0.99	0.95	58CV(A,X)135-22	CNPH*6024A**	0.98	0.98	58MEB100-20
FV4BN(B,F)006	1.00	0.96		CSPH*4812A**	0.98	0.98	58CV(A,X)135-22	CSPH*4812A**	0.98	0.98	58CV(A,X)135-22	CSPH*4812A**	0.98	0.95	58MEB100-20
F4ACN(B,F)048	1.00	0.96		CSPH*6012A**	0.99	0.95	58CV(A,X)135-22	CSPH*6012A**	0.99	0.95	58CV(A,X)135-22	CSPH*6012A**	0.98	0.94	58MEB100-20
F4ACN(B,F)060	1.00	0.96		CAP**4821A**	0.97	0.93	58CV(A,X)155-22	CAP**4821A**	0.97	0.93	58CV(A,X)155-22	CAP**4821A**	1.00	0.96	58MEB100-20
FV4AN(B)060	1.00	1.00		CAP**4824A**	0.97	0.93	58CV(A,X)155-22	CAP**4824A**	0.97	0.93	58CV(A,X)155-22	CAP**4824A**	0.98	0.94	58MEB120-20
FV4AN(B)048	0.98	1.02		CAP**6021A**	0.99	0.95	58CV(A,X)155-22	CAP**6021A**	0.99	0.95	58CV(A,X)155-22	CAP**6021A**	0.98	0.94	58MEB120-20
CAP**4817A**	0.96	0.96	58CV(A,X)090-16	CAP**6024A**	0.99	0.95	58CV(A,X)155-22	CAP**6024A**	0.99	0.95	58CV(A,X)155-22	CAP**6024A**	0.98	0.95	58MEB120-20
CAP**4821A**	0.97	0.97	58CV(A,X)090-16	CNPH*4821A**	0.98	0.94	58CV(A,X)155-22	CNPH*4821A**	0.98	0.94	58CV(A,X)155-22	CNPH*4821A**	0.98	0.95	58MEB120-20
CAP**6021A**	0.98	0.94	58CV(A,X)090-16	CNPH*6024A**	0.99	0.95	58CV(A,X)155-22	CNPH*6024A**	0.99	0.95	58CV(A,X)155-22	CNPH*6024A**	1.00	0.94	58MEB120-20
CNPH*4821A**	0.97	0.97	58CV(A,X)090-16	CNPH*4821A**	0.98	0.94	58CV(A,X)155-22	CNPH*4821A**	0.98	0.94	58CV(A,X)155-22	CNPH*4821A**	0.98	0.96	58MEB120-20
CNPH*6024A**	0.98	0.98	58CV(A,X)090-16	CNPH*4824A**	0.98	0.94	58CV(A,X)155-22	CNPH*4824A**	0.98	0.94	58CV(A,X)155-22	CNPH*4824A**	0.98	0.94	58MEB120-20
CNPH*4821A**	0.97	0.97	58CV(A,X)090-16	CSPH*6024A**	0.99	0.95	58CV(A,X)155-22	CSPH*6024A**	0.99	0.95	58CV(A,X)155-22	CSPH*6024A**	1.00	0.96	58MEB120-20
CNPH*4812A**	0.98	0.98	58CV(A,X)090-16	CSPH*4812A**	0.98	0.94	58CV(A,X)155-22	CSPH*4812A**	0.98	0.94	58CV(A,X)155-22	CSPH*4812A**	0.98	0.96	58MEB120-20
CAP**4817A**	0.97	0.97	58CV(A,X)110-20	CAP**6025A**	0.99	0.99	58HDV080--20	CAP**6025A**	0.99	0.99	58HDV080--20	CAP**6025A**	0.96	0.96	58MV(B,C)080-20
CAP**4824A**	0.97	0.97	58CV(A,X)110-20	CAP**4823A**	0.97	0.97	58HDV100--20	CAP**4823A**	0.97	0.97	58HDV100--20	CAP**4823A**	0.96	0.96	58MV(B,C)080-20
CAP**6021A**	0.98	0.94	58CV(A,X)110-20	CAP**6025A**	0.99	0.95	58HDV100--20	CAP**6025A**	0.99	0.95	58HDV100--20	CAP**6025A**	0.96	0.96	58MV(B,C)080-20
CAP**6024A**	0.99	0.95	58CV(A,X)110-20	CAP**4817A**	0.96	0.96	58MEB080--16	CAP**4817A**	0.96	0.96	58MEB080--16	CAP**4817A**	0.98	0.94	58MV(B,C)080-20

DETAILED COOLING CAPACITIES# (CONT.)

24ABB449(A,W)30 Outdoor Section With CAP**6024* Indoor Section

COOLING INDOOR MODEL	CAPACITY	POWER	FURNACE MODEL	COOLING INDOOR MODEL	CAPACITY	POWER	FURNACE MODEL
CAP**6024A**	0.98	0.98	58MV(B,C)080-20	CSPH*6012A**	1.00	0.96	58PH*110-20
CNPH*4821A**	0.97	0.97	58MV(B,C)080-20	CAP**4821A**	0.97	0.97	58PH*135-20
CNPH*6024A**	0.98	0.98	58MV(B,C)080-20	CAP**4824A**	0.97	0.97	58PH*135-20
CNPV*4821A**	0.97	0.97	58MV(B,C)080-20	CAP**6021A**	0.99	0.95	58PH*135-20
CNPV*4824A**	0.97	0.97	58MV(B,C)080-20	CAP**6024A**	0.99	0.95	58PH*135-20
CNPV*6024A**	0.98	0.98	58MV(B,C)080-20	CNPH*4821A**	0.98	0.98	58PH*135-20
CSPH*4812A**	0.97	0.97	58MV(B,C)080-20	CNPH*6024A**	0.99	0.95	58PH*135-20
CSPH*6012A**	0.98	0.98	58MV(B,C)080-20	CNPV*4821A**	0.98	0.98	58PH*135-20
CAP**4817A**	0.96	0.96	58MV(B,C)100-20	CNPV*4824A**	0.98	0.98	58PH*135-20
CAP**4821A**	0.97	0.97	58MV(B,C)100-20	CNPV*6024A**	0.99	0.95	58PH*135-20
CAP**4824A**	0.97	0.97	58MV(B,C)100-20	CSPH*4812A**	0.98	0.98	58PH*135-20
CAP**6021A**	0.98	0.94	58MV(B,C)100-20	CSPH*6012A**	1.00	0.96	58PH*135-20
CAP**6024A**	0.99	0.99	58MV(B,C)100-20	CAP**6021A**	0.98	0.94	58VLR120-20
CNPH*4821A**	0.97	0.97	58MV(B,C)100-20	CAP**6024A**	0.98	0.94	58VLR120-20
CNPH*6024A**	0.99	0.99	58MV(B,C)100-20	CNPH*6024A**	0.98	0.94	58VLR120-20
CNPV*4821A**	0.97	0.97	58MV(B,C)120-20	CNPV*4821A**	0.98	0.94	58VLR120-20
CNPV*4824A**	0.97	0.97	58MV(B,C)120-20	CNPV*4824A**	0.98	0.94	58VLR120-20
CNPV*6021A**	0.99	0.99	58MV(B,C)120-20	CSPH*6012A**	0.98	0.94	58VLR120-20
CNPV*6024A**	0.98	0.98	58MV(B,C)120-20	CSPH*6024A**	0.98	0.94	58VMR120-20
CSPH*4812A**	0.97	0.97	58MV(B,C)100-20				
CSPH*6012A**	0.98	0.98	58MV(B,C)100-20				
CAP**4821A**	0.97	0.97	58MV(B,C)120-20				
CAP**4824A**	0.97	0.97	58MV(B,C)120-20				
CAP**6021A**	0.99	0.94	58MV(B,C)120-20				
CAP**6024A**	0.99	0.99	58MV(B,C)120-20				
CNPH*4821A**	0.97	0.97	58MV(B,C)120-20				
CNPH*6024A**	0.99	0.99	58MV(B,C)120-20				
CNPV*4821A**	0.97	0.97	58MV(B,C)120-20				
CNPV*4824A**	0.97	0.97	58MV(B,C)120-20				
CNPV*6021A**	0.99	0.99	58MV(B,C)120-20				
CNPV*6024A**	0.98	0.98	58MV(B,C)120-20				
CSPH*4812A**	0.97	0.97	58PH*090-16				
CSPH*6012A**	0.98	0.98	58PH*090-16				
CAP**4817A**	0.96	0.96	58PH*090-16				
CAP**4821A**	0.97	0.97	58PH*090-16				
CAP**4824A**	0.97	0.97	58PH*090-16				
CAP**6021A**	0.99	0.95	58PH*090-16				
CAP**6024A**	0.99	0.95	58PH*090-16				
CNPH*4821A**	0.98	0.98	58PH*090-16				
CNPH*6024A**	0.99	0.95	58PH*090-16				
CNPV*4821A**	0.98	0.98	58PH*090-16				
CNPV*4824A**	0.98	0.98	58PH*090-16				
CNPV*6021A**	0.99	0.95	58PH*090-16				
CNPV*6024A**	0.98	0.98	58PH*090-16				
CSPH*4812A**	0.98	0.98	58PH*090-16				
CSPH*6012A**	1.00	0.96	58PH*090-16				
CAP**4817A**	0.96	0.92	58PH*110-20				
CAP**4821A**	0.97	0.93	58PH*110-20				
CAP**4824A**	0.97	0.97	58PH*110-20				
CAP**6021A**	0.99	0.95	58PH*110-20				
CAP**6024A**	0.99	0.95	58PH*110-20				
CNPH*4821A**	0.98	0.94	58PH*110-20				
CNPH*6024A**	0.99	0.95	58PH*110-20				
CNPV*4821A**	0.98	0.94	58PH*110-20				
CNPV*4824A**	0.98	0.94	58PH*110-20				
CNPV*6021A**	0.99	0.95	58PH*110-20				
CNPV*6024A**	0.99	0.95	58PH*110-20				
CSPH*4812A**	0.98	0.94	58PH*110-20				
CSPH*6012A**	0.99	0.95	58PH*110-20				

See notes on pg. 47

DETAILED COOLING CAPACITIES# (CONT.)

EVAPORATOR AIR		CONDENSER ENTERING AIR TEMPERATURES °F (°C)																	
CFM	EWB °F (°C)	75 (23.9)		85 (29.4)		95 (35)		105 (40.6)		115 (46.1)		125 (51.7)							
		Capacity MBtuh	Total System KW**	Capacity MBtuh	Total System KW**	Capacity MBtuh	Total System KW**	Capacity MBtuh	Total System KW**	Capacity MBtuh	Total System KW**	Capacity MBtuh	Total System KW**						
		Total	Sens†	Total	Sens†	Total	Sens†	Total	Sens†	Total	Sens†	Total	Sens†						
	72 (22.2)	70.19	36.02	4.06	34.81	66.99	33.54	4.45	33.20	63.60	33.54	4.89	32.20	5.38	56.01	30.77	5.94	29.20	6.58
	67 (19.4)	64.08	44.07	3.98	42.86	61.18	41.60	4.37	40.25	58.10	41.60	4.81	38.81	5.31	51.19	38.81	5.87	37.25	6.52
1750	63 (17.2)†	59.73	42.73	3.93	41.53	57.03	40.26	4.32	38.92	54.17	40.26	4.76	36.49	5.26	47.76	37.49	5.82	35.93	6.47
	62 (16.7)	58.62	52.10	3.92	50.89	56.02	49.60	4.31	48.19	53.29	49.60	4.75	46.38	5.25	47.38	47.38	5.82	44.37	6.48
	57 (13.9)	56.77	56.77	3.90	54.70	54.70	52.48	4.30	50.07	52.48	50.07	4.74	47.40	5.24	47.40	47.40	5.82	44.37	6.48
	72 (22.2)	71.45	37.73	4.17	36.49	68.10	35.20	4.99	33.84	64.56	35.20	4.89	32.38	5.49	56.66	32.38	6.05	30.78	6.68
	67 (19.4)	65.28	46.82	4.09	45.58	62.22	44.29	4.48	42.93	59.00	44.29	4.92	40.43	5.41	51.83	41.46	5.98	39.85	6.62
2000	63 (17.2)†	60.86	45.31	4.04	44.08	58.03	44.08	4.43	41.43	55.04	42.78	4.86	39.97	5.36	48.39	39.97	5.93	38.36	6.57
	62 (16.7)	59.93	55.85	4.03	54.54	57.26	54.54	4.42	51.85	54.51	54.51	4.86	48.99	5.36	48.99	48.99	5.94	45.74	6.59
	57 (13.9)	59.08	59.08	4.02	56.84	56.84	56.84	4.41	54.45	54.45	54.45	4.86	48.99	5.36	48.99	48.99	5.94	45.75	6.59
	72 (22.2)	72.38	39.33	4.27	38.08	68.91	36.77	5.10	35.39	65.24	36.77	5.10	33.91	5.60	57.10	33.91	6.15	32.29	6.78
	67 (19.4)	66.14	49.42	4.20	48.17	62.98	46.86	4.58	45.48	59.66	46.86	5.02	43.98	5.52	52.28	43.98	6.08	42.31	6.72
2250	63 (17.2)†	61.70	47.75	4.14	46.50	58.59	45.19	4.97	43.81	55.69	45.19	4.97	42.30	5.46	48.84	42.30	6.03	40.83	6.67
	62 (16.7)	61.11	59.22	4.14	58.59	58.59	58.59	4.53	56.05	56.05	56.05	4.97	53.30	5.48	50.26	50.26	6.05	46.83	6.70
	57 (13.9)	60.97	60.97	4.14	58.60	58.60	58.60	4.53	56.06	56.06	56.06	4.97	53.30	5.48	50.26	50.26	6.05	46.84	6.70

24ABB460(A,W)31 Outdoor Section With CAP**6024A* Indoor Section

COOLING INDOOR MODEL	CAPACITY	POWER	FURNACE MODEL
CNPH*6024A**	0.95	0.93	58MV(B,C)100-20
CSPH*6012A**	0.94	0.93	58MV(B,C)100-20
CAP**6024A**	0.94	0.93	58MV(B,C)120-20
CNPH*6024A**	0.94	0.93	58MV(B,C)120-20
CNPV*6024A**	0.94	0.93	58MV(B,C)120-20
CSPH*6012A**	0.94	0.93	58MV(B,C)120-20
CAP**6021A**	0.97	0.97	58PH*090-16
CNPH*6024A**	0.97	0.97	58PH*090-16
CSPH*6012A**	0.97	0.96	58PH*110-20
CAP**6021A**	0.97	0.96	58PH*110-20
CNPH*6024A**	0.98	0.97	58PH*110-20
CNPV*6024A**	0.98	0.98	58PH*110-20
CSPH*6012A**	0.98	0.97	58PH*110-20
CAP**6024A**	0.98	0.97	58PH*110-20
CNPH*6024A**	0.98	0.98	58PH*135-20
CSPH*6012A**	0.98	0.98	58PH*135-20
CAP**6024A**	0.98	0.98	58PH*135-20
CNPH*6012A**	0.98	0.98	58PH*135-20

See notes on pg. 47

COOLING INDOOR MODEL	CAPACITY	POWER	FURNACE MODEL
*CAP**6024A**	1.00	1.00	
CAP**6021A**	0.98	0.98	
CNPH*6024A**	1.00	1.00	
CNPV*6024A**	1.00	1.00	
CSPH*6012A**	1.00	1.00	
FE4ANB006	1.00	0.98	
FV4BNB006	1.00	0.98	
FX4CN(B,F)060	1.02	1.00	
FY4ANB060	1.00	1.04	
CNPH*6024A**	0.98	0.98	58CV(A,X)110-20
CNPH*6024A**	0.95	0.93	58CV(A,X)110-20
CNPV*6024A**	0.95	0.93	58CV(A,X)110-20
CSPH*6012A**	0.98	0.98	58CV(A,X)110-20
CAP**6024A**	0.95	0.93	58CV(A,X)110-20
CNPH*6024A**	0.98	0.98	58CV(A,X)135-22
CNPV*6024A**	0.98	0.97	58CV(A,X)135-22
CSPH*6012A**	0.99	0.98	58CV(A,X)135-22
CAP**6024A**	0.98	0.97	58CV(A,X)135-22
CNPH*6024A**	0.98	0.97	58CV(A,X)155-22
CNPV*6024A**	0.98	0.97	58CV(A,X)155-22
CSPH*6012A**	0.99	0.98	58CV(A,X)155-22
CAP**6024A**	0.98	0.97	58CV(A,X)155-22
CNPH*6024A**	0.98	0.98	58MEB100-20
CNPV*6024A**	0.97	0.96	58MEB100-20
CSPH*6012A**	0.98	0.98	58MEB100-20
CAP**6024A**	0.98	0.98	58MEB100-20
CNPH*6024A**	0.98	0.98	58MEB120-20
CNPV*6024A**	0.98	0.98	58MEB120-20
CSPH*6012A**	0.98	0.98	58MEB120-20
CAP**6021A**	0.95	0.95	58MV(B,C)080-20
CNPH*6024A**	0.94	0.94	58MV(B,C)080-20
CSPH*6012A**	0.94	0.94	58MV(B,C)080-20
CAP**6021A**	0.95	0.93	58MV(B,C)100-20

DETAILED COOLING CAPACITIES# (CONT.)

EVAPORATOR AIR		CONDENSER ENTERING AIR TEMPERATURES °F (°C)																	
CFM	EWB °F (°C)	75 (23.9)			85 (29.4)			95 (35)			105 (40.6)			115 (46.1)			125 (51.7)		
		Capacity MBtuh		Total System KW**	Capacity MBtuh		Total System KW**	Capacity MBtuh		Total System KW**	Capacity MBtuh		Total System KW**	Capacity MBtuh		Total System KW**	Capacity MBtuh		Total System KW**
		Total	Sens†		Total	Sens†		Total	Sens†		Total	Sens†		Total	Sens†		Total	Sens†	
	72 (22.2)	67.63	33.64	3.61	64.17	32.48	4.00	60.54	31.27	4.41	56.75	30.03	4.86	52.72	28.73	5.37	48.44	27.36	5.94
	67 (19.4)	61.67	40.20	3.60	58.57	40.76	3.98	55.32	38.57	4.38	51.90	38.32	4.83	48.25	37.01	5.33	44.37	35.62	5.90
1750	63 (17.2)††	57.36	41.98	3.59	54.53	39.15	3.96	51.55	37.97	4.80	48.39	36.74	4.80	45.02	35.43	5.31	41.42	34.03	5.88
	62 (16.7)	56.61	50.03	3.59	53.99	53.71	3.96	51.53	51.53	4.36	48.91	48.91	4.81	46.07	46.07	5.32	42.96	42.96	5.89
	57 (13.9)	56.12	53.87	3.59	53.87	53.87	3.96	51.45	51.45	4.36	48.85	48.85	4.81	46.01	46.01	5.32	42.92	42.92	5.90
	72 (22.2)	68.57	35.41	3.71	64.97	34.23	4.10	61.20	33.01	4.51	57.27	31.74	4.96	53.12	30.42	5.42	48.71	29.04	6.04
	67 (19.4)	62.60	44.79	3.70	59.37	43.62	4.07	56.00	42.40	4.48	52.45	41.12	4.93	48.71	39.77	5.43	44.75	38.31	6.01
2000	63 (17.2)††	58.27	42.96	3.69	55.33	41.81	4.06	52.23	40.60	4.46	48.96	39.33	4.91	45.50	37.97	5.41	41.82	36.50	5.99
	62 (16.7)	58.34	58.34	3.69	55.90	55.90	4.06	53.29	53.29	4.47	50.48	50.48	4.92	47.44	47.44	5.42	44.14	44.14	6.00
	57 (13.9)	58.26	58.26	3.69	55.82	55.82	4.06	53.22	53.22	4.47	50.41	50.41	4.92	47.39	47.39	5.42	44.09	44.09	6.00
	72 (22.2)	69.23	37.11	3.81	65.54	35.91	4.19	61.63	34.66	4.61	57.59	33.38	5.06	53.34	32.05	5.57	48.84	30.84	6.13
	67 (19.4)	63.28	47.56	3.80	59.95	46.35	4.17	56.48	45.10	4.58	52.87	43.78	5.03	49.07	42.36	5.54	45.12	44.79	6.11
2250	63 (17.2)††	58.95	45.52	3.79	55.91	44.33	4.16	52.72	43.09	4.56	48.39	41.77	5.01	45.88	40.33	5.51	42.32	42.32	6.09
	62 (16.7)	60.08	60.08	3.79	57.47	57.47	4.16	54.69	54.69	4.57	51.72	51.72	5.02	48.52	48.52	5.53	45.03	45.03	6.11
	57 (13.9)	60.00	60.00	3.79	57.40	57.40	4.16	54.63	54.63	4.57	51.66	51.66	5.02	48.47	48.47	5.53	44.99	44.99	6.11

24ABB461(A,W)S0 Outdoor Section With CNPV*6124** Indoor Section

COOLING INDOOR MODEL		CAPACITY	POWER	FURNACE MODEL	COOLING INDOOR MODEL		CAPACITY	POWER	FURNACE MODEL	COOLING INDOOR MODEL		CAPACITY	POWER	FURNACE MODEL
*CNPV*6124A**		1.00	1.00		CAP**6021A**	0.97	0.94	58CV(A,X)155-22		CAP**6021A**	0.96	0.96	58PH*090-16	
CAP**6021A**		0.96	0.96		CAP**6024A**	0.97	0.94	58CV(A,X)155-22		CAP**6024A**	0.96	0.96	58PH*090-16	
CAP**6024A**		0.98	0.98		CNPV*6024A**	0.97	0.94	58CV(A,X)155-22		CNPV*6024A**	0.96	0.96	58PH*090-16	
CNPV*6024A**		0.98	0.98		CNPV*6124A**	0.97	0.94	58CV(A,X)155-22		CNPV*6124A**	0.96	0.96	58PH*090-16	
CNPV*6124A**		0.98	0.98		CNPV*6124A**	0.99	0.95	58CV(A,X)155-22		CNPV*6124A**	0.96	0.96	58PH*090-16	
CSPH*6024A**		0.98	0.98		CSPH*6012A**	0.98	0.94	58CV(A,X)155-22		CSPH*6012A**	0.96	0.96	58PH*110-20	
FE4ANB006		0.98	0.94		CNPV*6021A**	0.96	0.96	58MEB080-16		CNPV*6021A**	0.96	0.96	58PH*110-20	
FV4BNB006		0.98	0.94		CSPH*6012A**	0.96	0.96	58MEB080-16		CSPH*6012A**	0.96	0.96	58PH*110-20	
FX4CNB F060		0.98	0.94		CAP**6021A**	0.96	0.96	58MEB100-20		CAP**6021A**	0.96	0.96	58PH*110-20	
FY4ANB060		0.98	1.02		CAP**6024A**	0.96	0.96	58MEB100-20		CAP**6024A**	0.96	0.96	58PH*110-20	
CAP**6021A**		0.96	0.96	58CV(A,X)110-20	CNPV*6024A**	0.96	0.96	58MEB100-20		CNPV*6024A**	0.96	0.96	58PH*110-20	
CAP**6024A**		0.96	0.96	58CV(A,X)110-20	CNPV*6124A**	0.96	0.96	58MEB100-20		CNPV*6124A**	0.96	0.96	58PH*110-20	
CNPV*6124A**		0.96	0.96	58CV(A,X)110-20	CNPV*6012A**	0.96	0.96	58MEB100-20		CNPV*6012A**	0.96	0.96	58PH*135-20	
CNPV*6012A**		0.96	0.96	58CV(A,X)110-20	CSPH*6012A**	0.96	0.96	58MEB100-20		CSPH*6012A**	0.96	0.96	58PH*135-20	
CNPV*6024A**		0.96	0.96	58CV(A,X)110-20	CAP**6021A**	0.96	0.96	58MEB120-20		CAP**6021A**	0.96	0.96	58PH*135-20	
CNPV*6124A**		0.96	0.96	58CV(A,X)110-20	CAP**6024A**	0.96	0.96	58MEB120-20		CAP**6024A**	0.96	0.96	58PH*135-20	
CNPV*6012A**		0.96	0.96	58CV(A,X)135-22	CNPV*6024A**	0.96	0.96	58MEB120-20		CNPV*6024A**	0.96	0.96	58PH*135-20	
CNPV*6024A**		0.96	0.96	58CV(A,X)135-22	CNPV*6124A**	0.96	0.96	58MEB120-20		CNPV*6124A**	0.96	0.96	58PH*135-20	
CNPV*6124A**		0.96	0.96	58CV(A,X)135-22	CSPH*6012A**	0.96	0.96	58MEB120-20		CSPH*6012A**	0.96	0.96	58PH*135-20	
CNPV*6012A**		0.96	0.96	58CV(A,X)135-22	CAP**6021A**	0.96	0.96	58MV(B,C)120-20		CAP**6021A**	0.96	0.96	58VLR120-20	
CSPH*6012A**		0.97	0.94	58CV(A,X)135-22	CAP**6024A**	0.96	0.96	58MV(B,C)120-20		CAP**6024A**	0.96	0.96	58VLR120-20	
		0.96	0.93	58CV(A,X)135-22	CNPV*6024A**	0.96	0.96	58VLR120-20		CNPV*6024A**	0.96	0.96	58VLR120-20	
		0.96	0.96	58CV(A,X)135-22	CNPV*6124A**	0.96	0.96	58VLR120-20		CNPV*6124A**	0.96	0.96	58VLR120-20	
		0.96	0.96	58CV(A,X)135-22	CSPH*6012A**	0.96	0.96	58VLR120-20		CSPH*6012A**	0.96	0.96	58VLR120-20	
		0.96	0.94	58CV(A,X)135-22	CAP**6021A**	0.96	0.96	58PH*090-16		CAP**6021A**	0.96	0.96	58VWLR120-20	
		0.96	0.94	58CV(A,X)135-22	CAP**6024A**	0.96	0.96			CAP**6024A**	0.96	0.96		

* Total and sensible capacities are net capacities. Blower motor heat has been subtracted.
 † Total and sensible capacities shown are based on 80°F (27°C) entering air at the indoor coil. For sensible capacities at other than 80°F (27°C), deduct 835 Btuh (245 kW) per 1000 CFM (480 L/S) of indoor coil air for each degree below 80°F (27°C), or add 835 Btuh (245 kW) per 1000 CFM (480 L/S) of indoor coil air per degree above 80°F (27°C).
 # Detailed cooling capacities are based on indoor and outdoor unit at the same elevation per ARI standard 210/240-2008. If additional tubing length and/or indoor unit is located above outdoor unit, a slight variation in capacity may occur.
 ** System kw is total of indoor and outdoor unit kilowatts.
 †† At TVA rating indoor condition (75°F edb/63°F ewb). All other indoor air temperatures are at 80°F edb.
 NOTE: When the required data falls between the published data, interpolation may be performed. Extrapolation is not an acceptable practice.
 EWB — Entering Wet Bulb



CONDENSER ONLY RATINGS

SST ° F (° C)		CONDENSER ENTERING AIR TEMPERATURES ° F (° C)							
		55 (12.78)	65 (18.33)	75 (23.89)	85 (29.44)	95 (35.0)	105 (40.56)	115 (46.11)	125 (51.67)
24ABB418(A,W)30									
30 (-1.11)	TCG	16.80	15.70	14.70	13.80	12.80	11.80	10.80	9.70
	SDT	66.70	76.10	85.40	94.80	104.30	113.70	123.20	132.70
	KW	0.78	0.90	1.03	1.18	1.34	1.53	1.72	1.94
35 (1.67)	TCG	18.60	17.40	16.40	15.30	14.20	13.20	12.00	10.90
	SDT	67.90	77.10	86.40	95.80	105.10	114.50	124.00	133.40
	KW	0.77	0.89	1.02	1.17	1.34	1.52	1.72	1.94
40 (4.44)	TCG	20.50	19.30	18.10	16.90	15.80	14.60	13.40	12.10
	SDT	69.10	78.30	87.50	96.80	106.10	115.40	124.80	134.10
	KW	0.76	0.88	1.01	1.16	1.33	1.51	1.72	1.94
45 (7.22)	TCG	22.60	21.30	20.00	18.70	17.40	16.10	14.80	13.40
	SDT	70.40	79.50	88.60	97.80	107.00	116.30	125.60	134.90
	KW	0.74	0.86	1.00	1.15	1.32	1.50	1.71	1.94
50 (10.0)	TCG	24.80	23.40	22.00	20.60	19.20	17.80	16.30	14.80
	SDT	71.80	80.70	89.80	98.90	108.00	117.20	126.40	135.60
	KW	0.73	0.85	0.99	1.14	1.31	1.49	1.70	1.93
55 (12.78)	TCG	27.20	25.60	24.10	22.50	21.00	19.40	17.90	33.70
	SDT	73.20	82.10	91.00	100.10	109.10	118.20	127.30	130.60
	KW	0.72	0.84	0.98	1.13	1.30	1.48	1.69	1.77
24ABB424(A,W)30									
30 (-1.11)	TCG	20.90	19.70	18.60	17.40	16.20	15.00	13.70	12.40
	SDT	66.60	76.10	85.60	95.10	104.70	114.20	123.80	133.40
	KW	0.99	1.14	1.30	1.48	1.68	1.90	2.14	2.40
35 (1.67)	TCG	23.00	21.80	20.60	19.30	18.00	16.70	15.30	13.80
	SDT	67.70	77.10	86.60	96.00	105.50	115.00	124.60	134.10
	KW	1.00	1.14	1.30	1.48	1.68	1.90	2.15	2.41
40 (4.44)	TCG	25.40	24.00	22.70	21.30	19.90	18.50	17.00	15.40
	SDT	68.80	78.20	87.60	97.00	106.40	115.80	125.30	134.80
	KW	1.00	1.14	1.30	1.48	1.69	1.91	2.15	2.42
45 (7.22)	TCG	27.80	26.40	24.90	23.50	22.00	20.40	18.80	17.10
	SDT	70.00	79.30	88.60	98.00	107.30	116.70	126.10	135.60
	KW	1.00	1.14	1.31	1.49	1.69	1.91	2.15	2.42
50 (10.0)	TCG	30.50	29.00	27.40	25.80	24.20	22.50	20.80	18.90
	SDT	71.30	80.50	89.80	99.00	108.30	117.60	127.00	136.30
	KW	1.00	1.15	1.31	1.49	1.69	1.91	2.16	2.43
55 (12.78)	TCG	33.40	31.70	30.00	28.30	26.50	24.70	22.90	20.90
	SDT	72.60	81.80	90.90	100.10	109.30	118.60	127.80	137.10
	KW	1.01	1.15	1.31	1.49	1.69	1.92	2.16	2.43
24ABB430(A,W)30									
30 (-1.11)	TCG	27.40	25.90	24.50	22.90	21.30	19.70	18.00	16.20
	SDT	68.50	77.80	87.20	96.60	106.00	115.40	124.90	134.30
	KW	1.25	1.43	1.63	1.85	2.09	2.35	2.63	2.93
35 (1.67)	TCG	30.20	28.60	27.00	25.30	23.60	21.90	20.00	18.00
	SDT	69.70	78.90	88.30	97.60	106.90	116.30	125.70	135.00
	KW	1.26	1.43	1.63	1.85	2.10	2.36	2.65	2.95
40 (4.44)	TCG	33.10	31.40	29.70	27.90	26.00	24.10	22.20	20.10
	SDT	70.90	80.10	89.40	98.60	107.90	117.20	126.50	135.80
	KW	1.26	1.44	1.64	1.86	2.10	2.37	2.66	2.97
45 (7.22)	TCG	36.20	34.40	32.50	30.60	28.60	26.50	24.40	22.10
	SDT	72.20	81.30	90.50	99.70	108.90	118.20	127.40	136.60
	KW	1.27	1.44	1.64	1.86	2.11	2.38	2.67	2.98
50 (10.0)	TCG	39.60	37.60	35.50	33.40	31.20	29.00	26.70	24.20
	SDT	73.60	82.60	91.70	100.90	110.00	119.20	128.30	137.40
	KW	1.27	1.45	1.65	1.87	2.12	2.39	2.68	3.00
55 (12.78)	TCG	43.00	40.80	38.60	36.30	33.90	31.50	29.00	26.40
	SDT	75.00	84.00	93.00	102.00	111.10	120.20	129.20	138.20
	KW	1.28	1.46	1.66	1.88	2.12	2.39	2.69	3.00
24ABB436(A,W)30									
30 (-1.11)	TCG	33.70	31.90	30.00	28.00	26.00	23.90	21.70	19.40
	SDT	72.00	81.70	91.30	101.00	110.70	120.50	130.40	140.60
	KW	1.50	1.71	1.94	2.20	2.48	2.79	3.11	3.46
35 (1.67)	TCG	37.10	35.20	33.10	31.10	28.90	26.70	24.30	21.80
	SDT	73.40	83.00	92.60	102.20	111.90	121.70	131.60	141.70
	KW	1.51	1.72	1.96	2.22	2.50	2.81	3.15	3.52
40 (4.44)	TCG	40.90	38.70	36.60	34.30	32.00	29.60	27.10	24.40
	SDT	74.60	84.30	93.90	103.50	113.10	122.90	132.70	142.80
	KW	1.52	1.74	1.97	2.23	2.52	2.84	3.19	3.56
45 (7.22)	TCG	44.80	42.50	40.20	37.80	35.40	32.80	30.10	27.20
	SDT	76.00	85.70	95.30	104.80	114.40	124.00	133.80	143.80
	KW	1.53	1.75	1.99	2.25	2.54	2.86	3.22	3.60
50 (10.0)	TCG	49.10	46.70	44.20	41.60	39.00	36.20	33.30	30.20
	SDT	77.30	87.00	96.70	106.10	115.60	125.20	134.90	144.80
	KW	1.54	1.76	2.00	2.27	2.56	2.88	3.24	3.63
55 (12.78)	TCG	53.70	51.10	48.40	45.60	42.80	39.80	36.70	33.40
	SDT	78.60	88.40	98.00	107.50	116.90	126.50	136.00	145.70
	KW	1.55	1.77	2.02	2.28	2.58	2.90	3.26	3.66

24ABB4

See notes on page 50

CONDENSER ONLY RATINGS CONTINUED

SST °F (°C)		CONDENSER ENTERING AIR TEMPERATURES °F (°C)							
		55 (12.78)	65 (18.33)	75 (23.89)	85 (29.44)	95 (35.0)	105 (40.56)	115 (46.11)	125 (51.67)
24ABB442(A,W)30									
30 (-1.11)	TCG	37.30	35.60	33.70	31.70	29.50	27.30	24.90	22.30
	SDT	68.10	77.50	87.00	96.40	105.80	115.20	124.60	133.90
	KW	1.78	1.96	2.18	2.43	2.72	3.06	3.44	3.86
35 (1.67)	TCG	41.20	39.30	37.20	35.00	32.70	30.20	27.60	24.80
	SDT	69.40	78.70	88.10	97.50	106.80	116.20	125.40	134.70
	KW	1.79	1.97	2.19	2.44	2.74	3.07	3.45	3.87
40 (4.44)	TCG	45.40	43.30	41.00	38.50	36.00	33.30	30.40	27.40
	SDT	70.80	80.00	89.30	98.60	107.90	117.10	126.30	135.50
	KW	1.80	1.98	2.20	2.46	2.75	3.09	3.47	3.89
45 (7.22)	TCG	49.90	47.50	45.00	42.30	39.50	36.50	33.40	30.10
	SDT	72.20	81.40	90.60	99.80	109.00	118.20	127.30	136.30
	KW	1.81	1.99	2.22	2.48	2.77	3.11	3.49	3.91
50 (10.0)	TCG	54.70	52.00	49.20	46.20	43.10	39.90	36.60	33.00
	SDT	73.70	82.80	92.00	101.10	110.20	119.30	128.30	137.20
	KW	1.81	2.01	2.24	2.50	2.80	3.14	3.51	3.93
55 (12.78)	TCG	59.80	56.80	53.70	50.40	47.00	43.50	39.80	35.90
	SDT	75.30	84.40	93.40	102.40	111.40	120.40	129.30	138.10
	KW	1.82	2.02	2.26	2.52	2.82	3.16	3.54	3.96
24ABB448(A,W)30									
30 (-1.11)	TCG	45.00	42.40	39.90	37.40	34.90	32.30	29.50	26.40
	SDT	70.30	79.50	88.90	98.20	107.60	116.90	126.20	135.40
	KW	2.04	2.41	2.75	3.08	3.44	3.84	4.32	4.89
35 (1.67)	TCG	49.80	46.80	44.00	41.20	38.50	35.60	32.60	29.30
	SDT	71.70	80.90	90.10	99.40	108.70	118.00	127.20	136.30
	KW	1.99	2.39	2.75	3.10	3.47	3.87	4.34	4.90
40 (4.44)	TCG	54.90	51.50	48.40	45.30	42.20	39.10	35.80	32.30
	SDT	73.20	82.40	91.50	100.70	109.90	119.00	128.20	137.20
	KW	1.93	2.36	2.75	3.12	3.50	3.91	4.38	4.92
45 (7.22)	TCG	60.40	56.60	53.00	49.60	46.20	42.80	39.30	35.50
	SDT	74.80	83.90	92.90	102.00	111.10	120.20	129.20	138.10
	KW	1.86	2.33	2.75	3.14	3.53	3.95	4.41	4.94
50 (10.0)	TCG	66.20	62.00	58.00	54.20	50.50	46.70	42.90	38.70
	SDT	76.40	85.50	94.50	103.40	112.40	121.40	130.30	139.10
	KW	1.78	2.28	2.73	3.15	3.56	3.99	4.45	4.98
55 (12.78)	TCG	72.40	67.70	63.20	59.10	55.00	50.90	46.70	42.10
	SDT	78.20	87.10	96.10	104.90	113.80	122.60	131.40	140.10
	KW	1.68	2.23	2.71	3.16	3.59	4.02	4.49	5.01
24ABB449(A,W)30									
30 (-1.11)	TCG	40.80	38.60	36.50	34.30	32.10	29.70	27.20	24.60
	SDT	67.20	76.60	86.10	95.50	104.90	114.30	123.60	132.90
	KW	1.98	2.28	2.56	2.85	3.16	3.50	3.88	4.33
35 (1.67)	TCG	45.10	42.70	40.30	37.90	35.40	32.80	30.10	27.30
	SDT	68.50	77.80	87.10	96.50	105.80	115.10	124.40	133.60
	KW	1.91	2.24	2.55	2.86	3.17	3.52	3.91	4.35
40 (4.44)	TCG	49.90	47.10	44.50	41.80	39.00	36.20	33.20	30.10
	SDT	69.80	79.00	88.30	97.50	106.80	116.00	125.20	134.40
	KW	1.80	2.16	2.50	2.84	3.17	3.53	3.92	4.36
45 (7.22)	TCG	55.00	52.00	49.00	46.00	42.90	39.80	36.50	33.10
	SDT	71.20	80.30	89.50	98.60	107.80	117.00	126.10	135.20
	KW	1.65	2.05	2.43	2.79	3.15	3.53	3.94	4.38
50 (10.0)	TCG	60.70	57.30	53.90	50.50	47.10	43.60	40.00	36.30
	SDT	72.60	81.70	90.70	99.80	108.90	118.00	127.10	136.10
	KW	1.46	1.90	2.32	2.72	3.11	3.51	3.94	4.39
55 (12.78)	TCG	66.80	63.00	59.20	55.40	51.60	47.70	43.70	39.60
	SDT	74.20	83.10	92.10	101.10	110.10	119.10	128.10	137.00
	KW	1.22	1.72	2.17	2.61	3.04	3.47	3.92	4.39
24ABB460(A,W)31									
30 (-1.11)	TCG	54.80	52.00	49.20	46.20	43.10	39.90	36.40	32.70
	SDT	72.60	81.60	90.60	99.70	108.80	117.90	126.90	135.90
	KW	2.54	2.85	3.18	3.55	3.97	4.45	5.01	5.67
35 (1.67)	TCG	60.40	57.30	54.20	50.90	47.60	44.00	40.20	36.20
	SDT	74.40	83.20	92.10	101.10	110.10	119.10	128.00	136.90
	KW	2.58	2.89	3.22	3.59	4.01	4.50	5.06	5.70
40 (4.44)	TCG	66.40	63.00	59.50	56.00	52.30	48.40	44.30	39.80
	SDT	76.20	84.90	93.80	102.60	111.50	120.40	129.20	138.00
	KW	2.63	2.94	3.28	3.65	4.07	4.55	5.11	5.74
45 (7.22)	TCG	72.90	69.10	65.20	61.30	57.30	53.00	48.50	43.60
	SDT	78.20	86.80	95.50	104.20	113.00	121.70	130.40	139.10
	KW	2.69	3.00	3.34	3.71	4.13	4.61	5.16	5.79
50 (10.0)	TCG	79.70	75.50	71.30	67.00	62.50	57.90	52.90	47.60
	SDT	80.30	88.70	97.20	105.90	114.50	123.10	131.70	140.20
	KW	2.75	3.07	3.41	3.78	4.20	4.68	5.22	5.84
55 (12.78)	TCG	87.00	82.40	77.70	73.00	68.10	63.00	57.50	51.70
	SDT	82.50	90.80	99.20	107.60	116.10	124.60	133.10	141.40
	KW	2.83	3.15	3.49	3.86	4.28	4.75	5.29	5.90

24ABB4

See notes on page 50

CONDENSER ONLY RATINGS CONTINUED

SST °F (°C)		CONDENSER ENTERING AIR TEMPERATURES °F (°C)							
		55 (12.78)	65 (18.33)	75 (23.89)	85 (29.44)	95 (35.0)	105 (40.56)	115 (46.11)	125 (51.67)
24ABB461 (A,W)30									
30 (-1.11)	TCG	49.70	47.30	44.80	42.20	39.30	36.30	33.10	29.60
	SDT	68.90	78.20	87.60	97.00	106.30	115.50	124.80	133.90
	KW	2.32	2.62	2.93	3.26	3.64	4.07	4.58	5.18
35 (1.67)	TCG	55.00	52.30	49.50	46.50	43.40	40.10	36.60	32.80
	SDT	70.30	79.60	88.80	98.10	107.30	116.50	125.70	134.80
	KW	2.31	2.62	2.94	3.28	3.66	4.09	4.60	5.19
40 (4.44)	TCG	60.70	57.60	54.50	51.20	47.80	44.10	40.30	36.20
	SDT	71.80	80.90	90.10	99.30	108.40	117.60	126.60	135.60
	KW	2.30	2.63	2.96	3.30	3.69	4.12	4.62	5.20
45 (7.22)	TCG	66.80	63.30	59.80	56.10	52.40	48.40	44.20	39.80
	SDT	73.30	82.40	91.40	100.50	109.60	118.60	127.60	136.60
	KW	2.30	2.63	2.97	3.33	3.71	4.15	4.65	5.23
50 (10.0)	TCG	73.30	69.40	65.40	61.40	57.20	52.80	48.20	43.40
	SDT	75.00	83.90	92.90	101.90	110.80	119.80	128.70	137.60
	KW	2.29	2.63	2.98	3.35	3.74	4.18	4.68	5.25
55 (12.78)	TCG	80.10	75.70	71.30	66.80	62.20	57.40	52.40	47.20
	SDT	76.70	85.50	94.40	103.30	112.20	121.00	129.80	138.50
	KW	2.28	2.64	3.00	3.37	3.77	4.21	4.71	5.28

* AHRI listing applies only to systems shown in Combination Ratings table.

KW – Outdoor Unit Kilowatts Only.

SDT – Saturated Temperature Leaving Compressor (°F)

SST – Saturated Temperature Entering Compressor (°F/°C)

TCG – Gross Cooling Capacity (1000 Btuh)

24ABB4

GUIDE SPECIFICATIONS

GENERAL

System Description

Outdoor-mounted, air-cooled, split-system air conditioner unit suitable for ground or rooftop installation. Unit consists of a hermetic compressor, an air-cooled coil, propeller-type condenser fan, and a control box. Unit will discharge supply air upward as shown on contract drawings. Unit will be used in a refrigeration circuit to match up to a packaged fan coil or coil unit.

Quality Assurance

- Unit will be rated in accordance with the latest edition of AHRI Standard 210.
- Unit will be certified for capacity and efficiency, and listed in the latest AHRI directory.
- Unit construction will comply with latest edition of ANSI/ASHRAE and with NEC.
- Unit will be constructed in accordance with UL standards and will carry the UL label of approval. Unit will have c-UL-us approval.
- Unit cabinet will be capable of withstanding Federal Test Method Standard No. 141 (Method 6061) 500-hr salt spray test.
- Air-cooled condenser coils will be leak tested at 150 psig and pressure tested at 450 psig.
- Unit constructed in ISO9001 approved facility.

Delivery, Storage, and Handling

- Unit will be shipped as single package only and is stored and handled per unit manufacturer's recommendations.

Warranty (for inclusion by specifying engineer)

- U.S. and Canada only.

PRODUCTS

Equipment

Factory assembled, single piece, air-cooled air conditioner unit. Contained within the unit enclosure is all factory wiring, piping, controls, compressor, refrigerant charge Puron® (R-410A), and special features required prior to field start-up.

Unit Cabinet

- Unit cabinet will be constructed of galvanized steel, bonderized, and coated with a powder coat paint.

AIR-COOLED, SPLIT-SYSTEM AIR CONDITIONER

24ABB4

1-1/2 TO 5 NOMINAL TONS

Fans

- Condenser fan will be direct-drive propeller type, discharging air upward.
- Condenser fan motors will be totally enclosed, 1-phase type with class B insulation and permanently lubricated bearings. Shafts will be corrosion resistant.
- Fan blades will be statically and dynamically balanced.
- Condenser fan openings will be equipped with coated steel wire safety guards.

Compressor

- Compressor will be hermetically sealed.
- Compressor will be mounted on rubber vibration isolators.

Condenser Coil

- Condenser coil will be air cooled.
- Coil will be constructed of aluminum fins mechanically bonded to copper tubes which are then cleaned, dehydrated, and sealed.

Refrigeration Components

- Refrigeration circuit components will include liquid-line shutoff valve with sweat connections, vapor-line shutoff valve with sweat connections, system charge of Puron® (R-410A) refrigerant, and compressor oil.
- Unit will be equipped with high-pressure switch, low pressure switch and filter drier for Puron refrigerant.

Operating Characteristics

- The capacity of the unit will meet or exceed _____ Btuh at a suction temperature of _____ °F/°C. The power consumption at full load will not exceed _____ kW.
- Combination of the unit and the evaporator or fan coil unit will have a total net cooling capacity of _____ Btuh or greater at conditions of _____ CFM entering air temperature at the evaporator at _____ °F/°C wet bulb and _____ °F/°C dry bulb, and air entering the unit at _____ °F/°C.
- The system will have a SEER of _____ Btuh/watt or greater at DOE conditions.

Electrical Requirements

- Nominal unit electrical characteristics will be _____ v, single phase, 60 hz. The unit will be capable of satisfactory operation within voltage limits of _____ v to _____ v.
- Unit electrical power will be single point connection.
- Control circuit will be 24v.

Special Features

- Refer to section of this literature identifying accessories and descriptions for specific features and available enhancements.

24ABB4

SYSTEM DESIGN SUMMARY

1. Intended for outdoor installation with free air inlet and outlet. Outdoor fan external static pressure available is less than 0.01-in. wc.
2. Minimum outdoor operating air temperature for cooling mode without low-ambient operation accessory is 55°F (12.8°C).
3. Maximum outdoor operating air temperature is 125°F (51.7°C).
4. For reliable operation, unit should be level in all horizontal planes.
5. For interconnecting refrigerant tube lengths greater than 80 ft (23.4 m) and/or 35 ft (10.7 m) vertical differential, consult Residential Piping and Longline Guideline and Service Manual available from equipment distributor.
6. If any refrigerant tubing is buried, provide a 6 in. (152.4 mm) vertical rise to the valve connections at the unit. Refrigerant tubing lengths up to 36 in. (914.4 mm) may be buried without further consideration. Do not bury refrigerant lines longer than 36 in. (914.4 mm).
7. Use only copper wire for electric connection at unit. Aluminum and clad aluminum are not acceptable for the type of connector provided.
8. Do not apply capillary tube indoor coils to these units.
9. Factory-supplied filter drier must be installed.

24ABB4