

58STA/STX

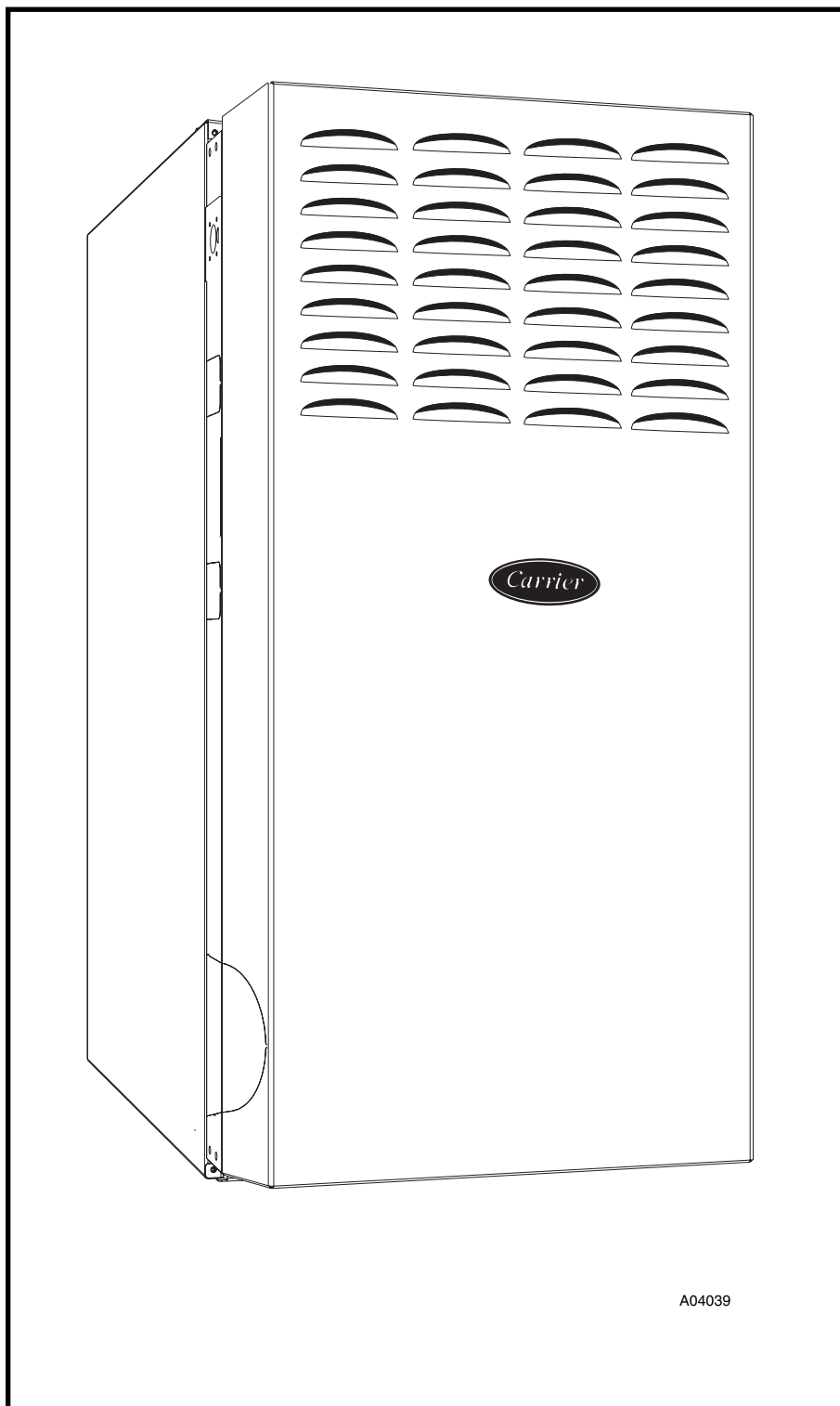
**4-Way Multipoise Induced-Combustion
Gas Furnace**

Input Capacities: 45,000 thru 155,000 Btuh



Turn to the Experts.™

Product Data



A04039

THE CARRIER 58STA/STX GAS FURNACE

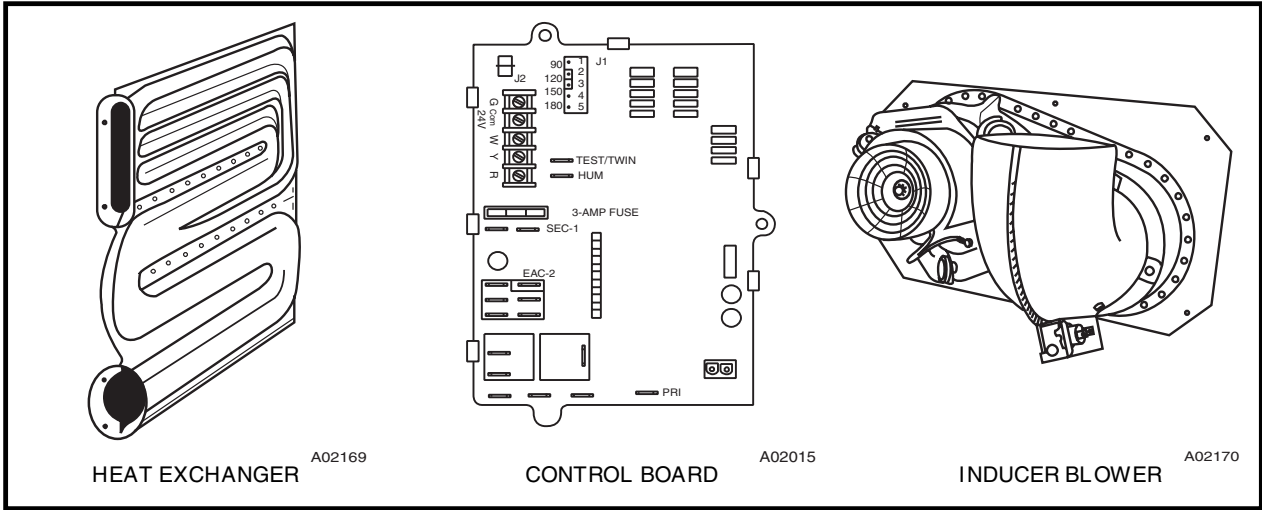
The 58STA/STX 4-way Multipoise Gas Furnaces feature Carrier's QuietTech™ noise reduction system for incredibly quiet induced draft operation. Applications are easy with 4-way multipoise design, through-the-furnace downflow venting, 13 different venting options, and a door designed for easy service access. An inner blower door is provided for tighter sealing in sensitive applications. The 58STA/STX furnaces are approved for use with natural or propane gas, and the 58STX is approved for use in Low NOx Air Management Districts.

STANDARD FEATURES

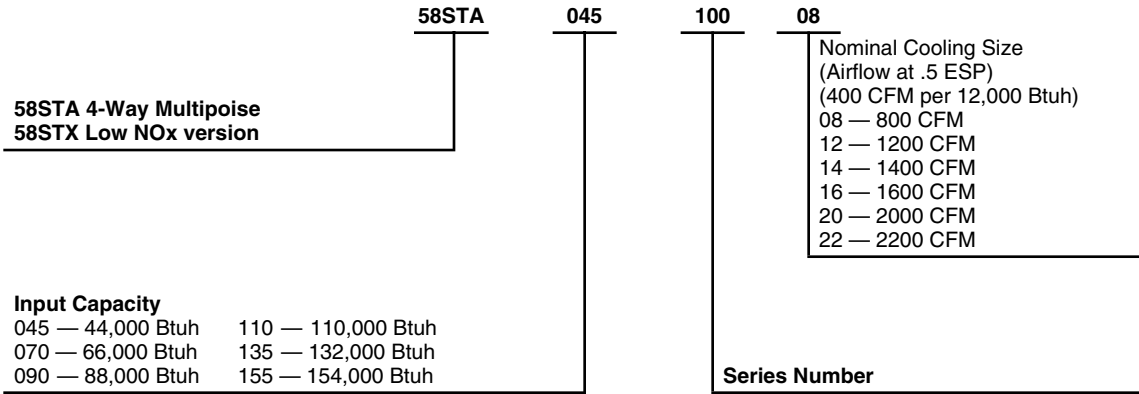
- QuietTech™ system noise reduction system
- Microprocessor based control center
 - LED diagnostics and self test feature
 - Adjustable heating air temperature rise
 - Adjustable cooling airflow
- 4-way Multipoise furnace, 13 vent applications
- Compact design – only 33-1/3 in. tall
- Power Heat™ Igniter
- Draft safeguard switch to ensure proper furnace venting
- Inner door for tighter sealing
- Hybrid Heat™ compatible
- All models are chimney friendly when used with accessory vent kit
- Twinning in Upflow, Downflow and Horizontal
- Residential installations eligible for consumer financing through the Retail Credit Program

LIMITED WARRANTY

- 20-year warranty on "Super ST™" heat exchanger
- 5-year parts warranty on all other components

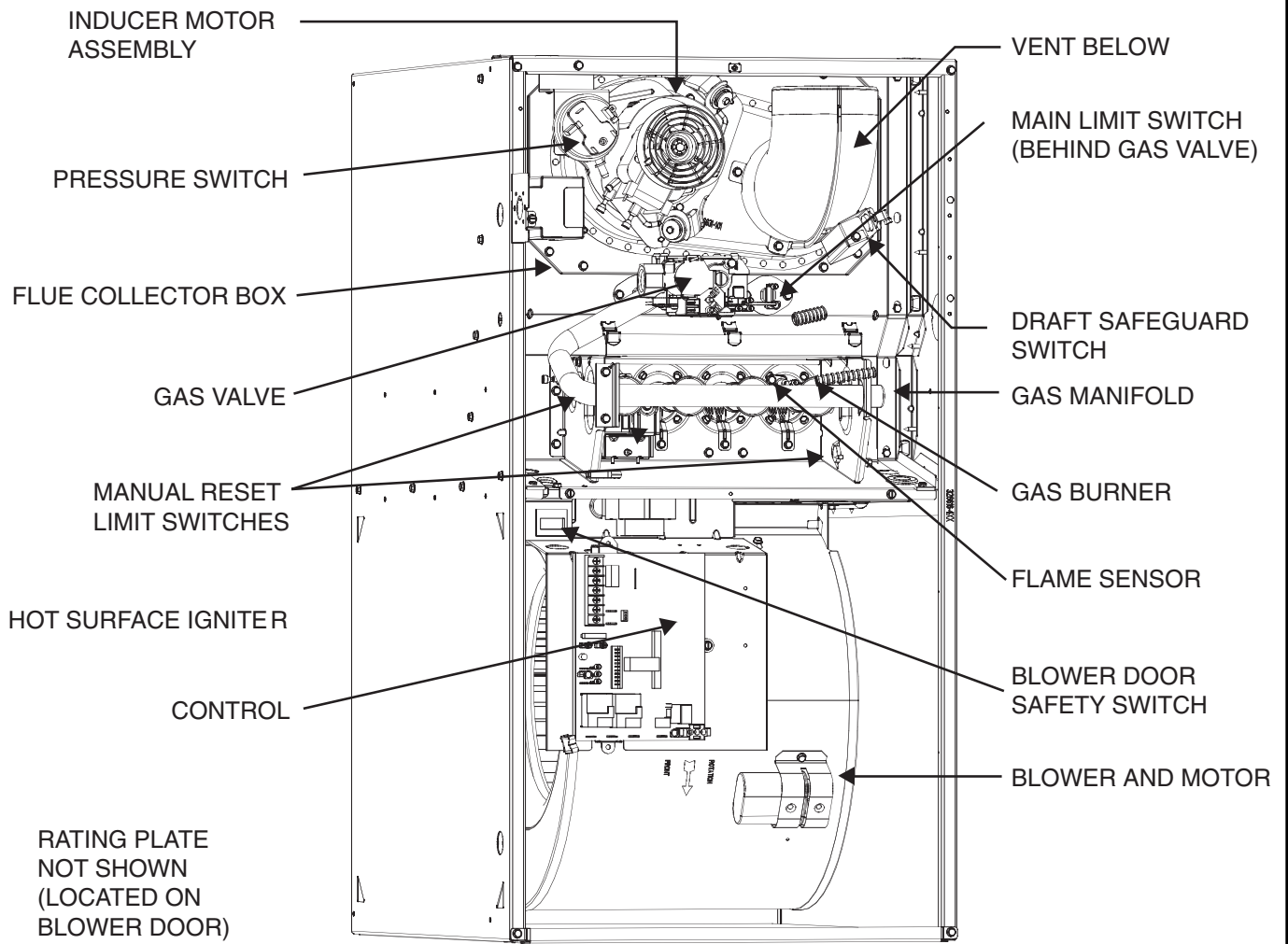


Model number nomenclature



Furnace components

58STA/STX

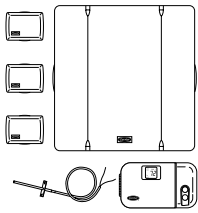


*Elbow may be turned to a different position, depending on type of installation

NOTE: The 58STA/STX Furnaces are factory shipped for use with natural gas. These furnaces can be field-converted for propane gas with a factory-authorized and listed accessory conversion kit.

Carrier accessories

585T/STX

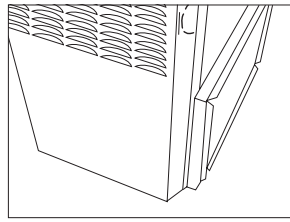


A97432

CONTROLS: THERMOSTATS AND ZONING

Available in programmable and non-programmable models, Carrier thermostats maintain a constant, comfortable temperature level in the home.

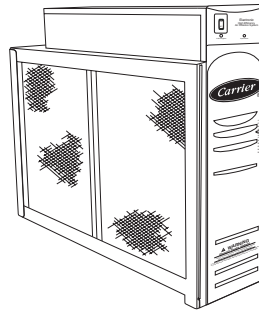
For the ultimate in home comfort, Carrier's 2, 4, and 8-zone systems allow temperature control of individual "zones" of the home. This is accomplished through a series of electronic dampers and remote room sensors. The 4-zone system is shown.



A02121

EXTERNAL FILTER RACK (SIDE OR BOTTOM)

Custom-made filter rack for easy connection when a return plenum already exists. Provides easy access for cleaning filter.

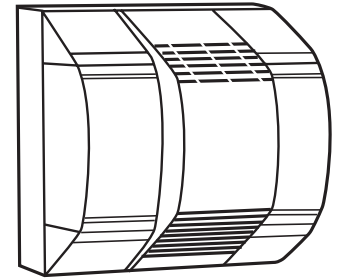


A04008

MECHANICAL OR ELECTRONIC AIR CLEANER

Cleans the air of smoke, dirt, and many pollens commonly found. Saves decorating and cleaning expenses by keeping carpets, furniture, and drapes cleaner.

Electronic air cleaner is shown.



A01484

MODEL HUMCCLFP HUMIDIFIER

By adding moisture to winter-dry air, a Carrier humidifier can often improve comfort and keep furniture, rugs, and draperies in better condition. Moisturizing household air also helps to retain normal body heat and provides comfort at lower temperatures.

ACCESSORIES	
ELECTRONIC AIR CLEANER (EAC)	Model EACA
MECHANICAL AIR CLEANER	Model EZXCAB, FILCAB
HUMIDIFIER	Model HUM
HEAT RECOVERY VENTILATOR	Models HRV
ENERGY RECOVERY VENTILATOR	Model ERV
UV LIGHTS	Model UVL
THERMOSTAT - NON-PROGRAMMABLE	For use with 1-speed Air Conditioner - deg. F/C, Auto Changeover - TSTATCCNAC01-B
	For use with 1-speed Air Conditioner - deg. F/C, Auto Changeover - TSTATCCNHP01-B*
	For use with 2-speed Air Conditioner - deg. F/C, Auto Changeover - TSTATCCN2S01-B*
	For use with multi-use / stage configurations - deg. F/C, Auto Changeover/Temperature and Humidity Control - TSTATCCPRH01-B†
THERMOSTAT - PROGRAMMABLE	For use with 1-speed Air Conditioner - deg. F/C, Auto Changeover, 7-Day Programmable - TSTATCCPAC01-B
	For use with 1-speed Air Conditioner - deg. F/C, Auto Changeover, 7-Day Programmable - TSTATCCPHP01-B*
	For use with 2-speed Air Conditioner - deg. F/C, Auto Changeover, 7-Day Programmable - TSTATCCP2S01-B*
	For use with 1-speed Air Conditioner - deg. F/C, 5-2 Day Programmable - TSTATCCSAC01
	For use with multi-stage applications - deg. F/C, Auto Changeover, 7-Day Programmable - TSTATCCPDF01-B‡
	For multi-use / stage configurations - deg. F/C, Auto Changeover, 7-Day Programmable/Temperature and Humidity Control - TSTATCCPRH01-B†
ZONING CONTROL	2-Zone kit - ZONEKIT2ZCAR
	2-Zone kit/Temperature and Humidity Control - ZONECC2KIT01-B
	4-Zone kit/Temperature and Humidity Control - ZONECC4KIT01-B
	8-Zone kit/Temperature and Humidity Control - ZONECC8KIT01-B

* Model HP and 2S thermostat must be field converted to air conditioner operation.

† Thermostat Control can be configured for multiple use and staging, it must be configured for each specific application.

‡ Dual Fuel thermostat is used with furnace and heat pump application.

Carrier accessories

DESCRIPTION	PART NO.	045-08	045-12	070-08	070-12	070-16	090-14	090-16	090-20	110-12	110-16	110-22	135-16	135-22	155-22
Performance Series Filter Cabinet	FILCABCC0016	X	X	X	X	X	X			X					
	FILCABCC0020							X	X		X	X	X		
	FILCABCC0024													X	X
Cartridge Media Filter	FILCCCAR0016	X	X	X	X	X	X			X					
	FILCCCAR0020							X	X		X	X	X		
	FILCCCAR0024													X	X
EZ Flex Media Filter with End Caps	EXPXXUNV0016	X	X	X	X	X	X			X					
	EXPXXUNV0020							X	X		X	X	X		
	EXPXXUNV0024													X	X
Replacement EZ Flex Filter Media	EXPXXFIL0016	X	X	X	X	X	X			X					
	EXPXXFIL0020							X	X		X	X	X		
	EXPXXFIL0024													X	X
External Bottom Return Filter Rack	KGAFR0401B14	X	X	X	X										
	KGAFR0501B17					X	X			X					
	KGAFR0601B21							X	X		X	X	X		
	KGAFR0701B24													X	X
External Side Return Filter Rack	KGAFR0801SRE	X	X	X	X	X	X	X	X	X	X	X	X	X	X
Unframed Filter 1 in.	KGAWF1306UFR	X	X	X	X	X	X	†	†	X	†	†	†	†	†
	KGAWF1406UFR							X	X		X	X	X		
	KGAWF1506UFR													X	X
Flue Extension	KGAFE0112UPH	X	X	X	X	X	X	X	X	X	X	X	X	X	X
Twinning Kit	KGATW0601HSI	X	X	X	X	X	X	X	X	X	X	X	X	X	X
Combustible Floor Base	KGASB0201ALL	X	X	X	X	X	X	X	X	X	X	X	X	X	X
Downflow Vent Guard	KGAVG0101DFG	X	X	X	X	X	X	X	X	X	X	X	X	X	X
Vent Extension Kit	KGAVE0101DNH	X	X	X	X	X	X	X	X	X	X	X	X	X	X
Chimney Adapter Kit	KGACA02014FC	X	X	X	X	X	X	X	X	X	X	X			
Chimney Adapter Kit	KGACA02015FC												X	X	X
Natural-to-Propane Conversion Kit*	KGANP4001ALL	X	X	X	X	X	X	X	X	X	X	X	X	X	X
Propane-to-Natural Conversion Kit	KGAPN3301ALL	X	X	X	X	X	X	X	X	X	X	X	X	X	X
Label Kit	KGALB0101KIT	X	X	X	X	X	X	X	X	X	X	X	X	X	X
Air Leakage Kit (Qty 10)	KGBAC0110DGK	X	X	X	X	X	X	X	X	X	X	X	X	X	X
Gas Orifice Kit (Qty 50)	KGAHA0150N42	See Installation Instructions for model, altitude, and heat value usages.													
	KGAHA0250N43 (factory supplied)														
	KGAHA0350N44														
	KGAHA0450N45														
	KGAHA0550N46														
	KGAHA1550N47														
	KGAHA1650N48														
	KGAHA0650P54														
KGAHA0750P55															

* Factory-authorized and field installed. Fuel conversion kits are CSA recognized.

† Suitable for side return.

58STX/STX

Physical data

58STX/STX

UNIT SIZE		045		070			090	
		08	12	08	12	16	14	16
OUTPUT CAPACITY BTUH* (Nonweatherized ICS) †	58STX Upflow; all 58STA	35,000	36,000	53,000	54,000	53,000	71,000	71,000
	58STX Downflow/Horizontal	34,000	34,000	51,000	51,000	51,000	68,000	68,000
INPUT BTUH*	58STX Upflow; all 58STA	44,000	44,000	66,000	66,000	66,000	88,000	88,000
	58STX Downflow/Horizontal	42,000	42,000	63,000	63,000	63,000	84,000	84,000
AFUE%*	Nonweatherized ICS	80.0	80.0	80.0	80.0	80.0	80.0	80.0
SHIPPING WEIGHT (LBS.)		104	107	111	115	126	127	140
CERTIFIED TEMP RISE RANGE (°F)		30–60	20–50	40–70	30–60	25–55	40–70	30–60
CERTIFIED EXT STATIC PRESSURE	Heating	0.10	0.10	0.12	0.12	0.12	0.15	0.15
	Cooling	0.50	0.50	0.50	0.50	0.50	0.50	0.50
AIRFLOW CFM‡	Heating	920	1250	720	1195	1450	1375	1505
	Cooling	845	1160	900	1200	1530	1385	1720
LIMIT CONTROL		SPST						
HEATING BLOWER CONTROL		Solid-State Time Operation						
BURNERS (Monoport)		2	2	3	3	3	4	4
GAS CONNECTION SIZE		1/2-in. NPT						
GAS VALVE (Redundant) Manufacturer		White-Rodgers						
Minimum Inlet Pressure (In. wc)		4.5 (Natural Gas)						
Maximum Inlet Pressure (In. wc)		13.6 (Natural Gas)						
IGNITION DEVICE		Hot Surface						

* Gas input ratings are certified for elevations to 2000 ft. For elevations above 2000 ft, reduce ratings 4 percent for each 1000 ft above sea level. Refer to National Fuel Gas code Table F4 or furnace Installation Instructions. In Canada, derate the unit 10 percent for elevations 2000 to 4500 ft above sea level.

† Capacity in accordance with U.S. Government DOE test procedures.

‡ Airflow shown is for bottom only return-air supply. For air delivery above 1800 CFM, see Air Delivery Table for other options. A filter is required for each return-air supply. An airflow reduction of up to 7 percent may occur when using a Carrier 4-5/16 in. high efficiency media filter.

ICS — Isolated Combustion System

Blower performance data

UNIT SIZE		045		070			090	
		08	12	08	12	16	14	16
DIRECT-DRIVE MOTOR Hp (PSC)		1/5	1/3	1/5	1/3	1/2	1/3	1/2
MOTOR FULL LOAD AMPS		2.9	5.2	2.9	5.2	7.9	5.2	7.9
RPM (Nominal) – Speeds		1075-3	1075-3	1075-3	1075-3	1075-3	1075-3	1075-3
BLOWER WHEEL DIAMETER × WIDTHS (IN.)		10 x 6	10 x 6	10 x 6	10 x 6	11 x 8	10 x 8	10 x 10

Physical data

UNIT SIZE		090	110				135		155
		20	12	16	22	16	22	20	
OUTPUT CAPACITY BTUH* (Nonweatherized ICS) †	58STX Upflow; all 58STA	71,000	89,000	89,000	89,000	107,000	107,000	125,000	
	58STX Downflow/Horizontal	68,000	85,000	85,000	85,000	102,000	102,000	119,000	
INPUT BTUH*	58STX Upflow; all 58STA	88,000	110,000	110,000	110,000	132,000	132,000	154,000	
	58STX Downflow/Horizontal	84,000	105,000	105,000	105,000	126,000	126,000	147,000	
AFUE%*	Nonweatherized ICS	80.0	80.0	80.0	80.0	80.0	80.0	80.0	
SHIPPING WEIGHT (LBS.)		146	135	146	152	149	163	170	
CERTIFIED TEMP RISE RANGE (°F)		25–55	50–80	40–70	30–60	50–80	40–70	45–75	
CERTIFIED EXT STATIC PRESSURE	Heating	0.15	0.20	0.20	0.20	0.20	0.20	0.20	
	Cooling	0.50	0.50	0.50	0.80	0.50	0.50	0.50	
AIRFLOW CFM‡	Heating	1990	1335	1515	1900	1525	1850	1790	
	Cooling	2025	1355	1680	2220	1710	2110	2230	
LIMIT CONTROL		SPST							
HEATING BLOWER CONTROL		Solid-State Time Operation							
BURNERS (Monoport)		4	5	5	5	6	6	7	
GAS CONNECTION SIZE		1/2-in. NPT							
GAS VALVE (Redundant) Manufacturer		White-Rodgers							
Minimum Inlet Pressure (In. wc)		4.5 (Natural Gas)							
Maximum Inlet Pressure (In. wc)		13.6 (Natural Gas)							
IGNITION DEVICE		Hot Surface							

58STA/STX

* Gas input ratings are certified for elevations to 2000 ft. For elevations above 2000 ft, reduce ratings 4 percent for each 1000 ft above sea level. Refer to National Fuel Gas code Table F4 or furnace Installation Instructions. In Canada, derate the unit 10 percent for elevations 2000 to 4500 ft above sea level.

† Capacity in accordance with U.S. Government DOE test procedures.

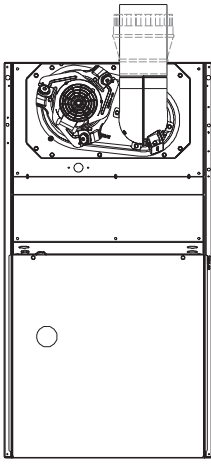
‡ Airflow shown is for bottom only return-air supply. For air delivery above 1800 CFM, see Air Delivery Table for other options. A filter is required for each return-air supply. An airflow reduction of up to 7 percent may occur when using a Carrier 4-5/16 in. high efficiency media filter.

ICS — Isolated Combustion System

Blower performance data

UNIT SIZE		090	110				135		155
		20	12	16	22	16	22	20	
DIRECT-DRIVE MOTOR Hp (PSC)		3/4	1/3	1/2	3/4	1/2	3/4	3/4	
MOTOR FULL LOAD AMPS		11.1	5.2	7.9	11.1	7.9	11.1	11.1	
RPM (Nominal) – Speeds		1075-3	1075-3	1075-3	1075-3	1075-3	1075-3	1075-3	
BLOWER WHEEL DIAMETER × WIDTHS (IN.)		11 x 11	10 x 8	10 x 10	11 x 11	10 x 10	11 x 11	11 x 11	

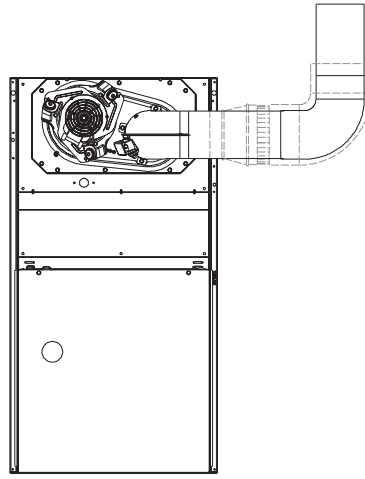
PSC-Permanent Split Capacitor



SEE NOTES: 1,2,4,7,8,9

UPFLOW

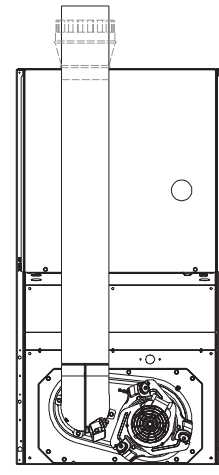
A02058



SEE NOTES: 1,2,3,4,7,8,9

UPFLOW

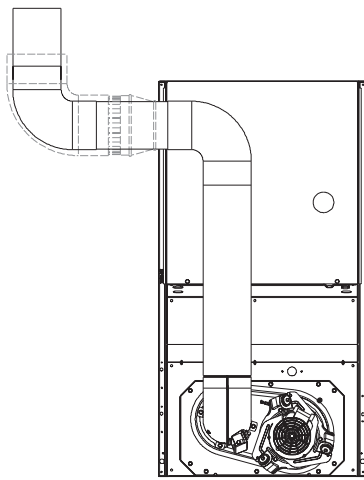
A02059



SEE NOTES: 1,2,4,5,7,8,9

DOWNFLOW

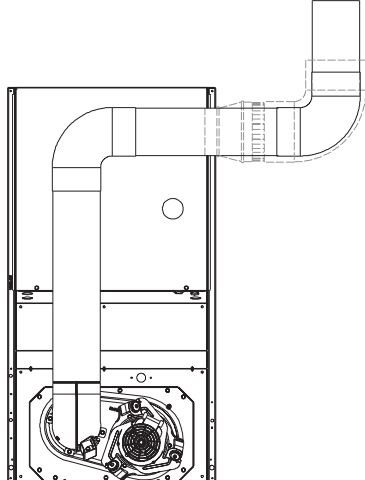
A02061



SEE NOTES: 1,2,3,4,5,7,8,9

DOWNFLOW

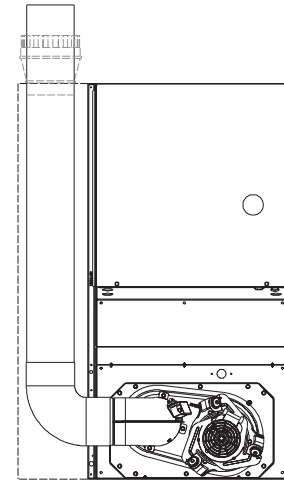
A02060



SEE NOTES: 1,2,3,4,5,7,8,9

DOWNFLOW

A02063



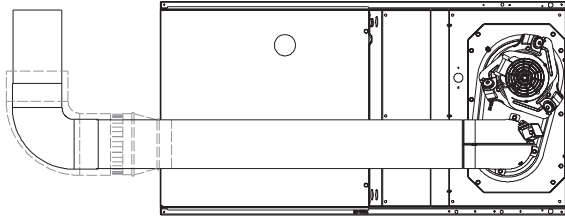
SEE NOTES: 1,2,4,5,6,7,8,9

DOWNFLOW

A02062

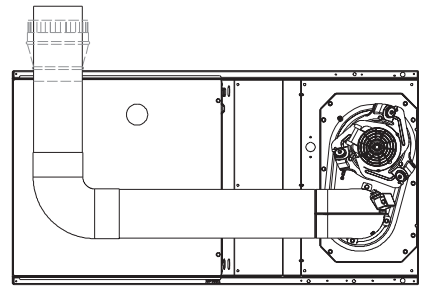
Venting Notes

1. For common vent, vent connector sizing and vent material: United States, latest edition of the National Fuel Gas Code (NFGC), ANSI Z223.1/NFPA 54. In Canada, latest edition of the National Standards of Canada, Natural Gas and Propane Installation Code (NSCNGPIC), CSA B149.1-00.
2. Immediately increase to 5-in. vent connector outside furnace casing when 5-in. vent connector required, refer to Note 1.
3. Side outlet vent for upflow and downflow installations must use Type B vent immediately after exiting the furnace, except when KGAVG0101DFG is used in downflow position.
4. Type B vent where required, refer to Note 1.
5. 4 in. single wall vent must be used inside furnace casing and the KGAVG0101DFG Downflow Vent Guard Kit.
6. Accessory Downflow Vent Guard Kit, KGAVG0101DFG required in downflow installations with bottom vent configuration.
7. Chimney Adapter Kit required for exterior masonry chimney applications. Refer to Chimney Adapter Kit, KGACA02014FC and KGACA02015FC for sizing and complete application details.
8. Secure vent connector to furnace elbow with (2) corrosion-resistant sheet metal screws, space approximately 180° apart.
9. Secure all other single wall vent connector joints with (3) corrosion-resistant screws spaced approximately 120° apart. Secure Type B vent connectors per vent connector manufacturer's recommendations.



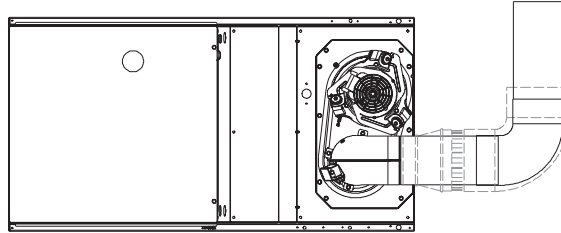
SEE NOTES: 1,2,4,5,7,8,9
HORIZONTAL RIGHT

A02068



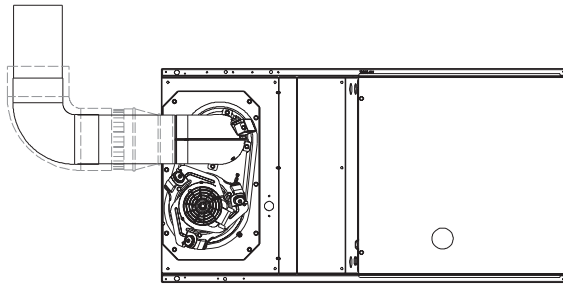
SEE NOTES: 1,2,4,5,7,8,9
HORIZONTAL RIGHT

A02070



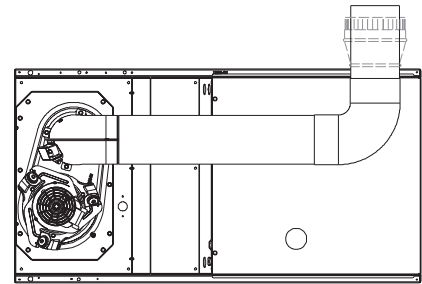
SEE NOTES: 1,2,4,7,8,9
HORIZONTAL RIGHT

A02069



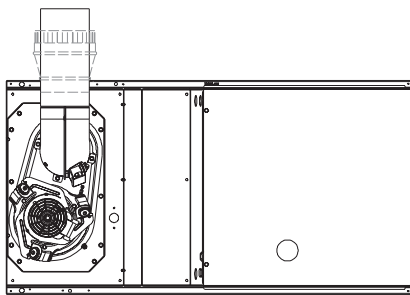
SEE NOTES: 1,2,4,7,8,9
HORIZONTAL LEFT

A02064



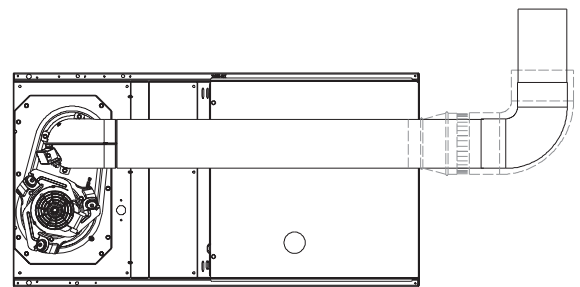
SEE NOTES: 1,2,4,5,7,8,9
HORIZONTAL LEFT

A02065



SEE NOTES: 1,2,4,5,7,8,9
HORIZONTAL LEFT

A02066



SEE NOTES: 1,2,4,5,7,8,9
HORIZONTAL LEFT

A02067

AIR DELIVERY—CFM (With Filter)*

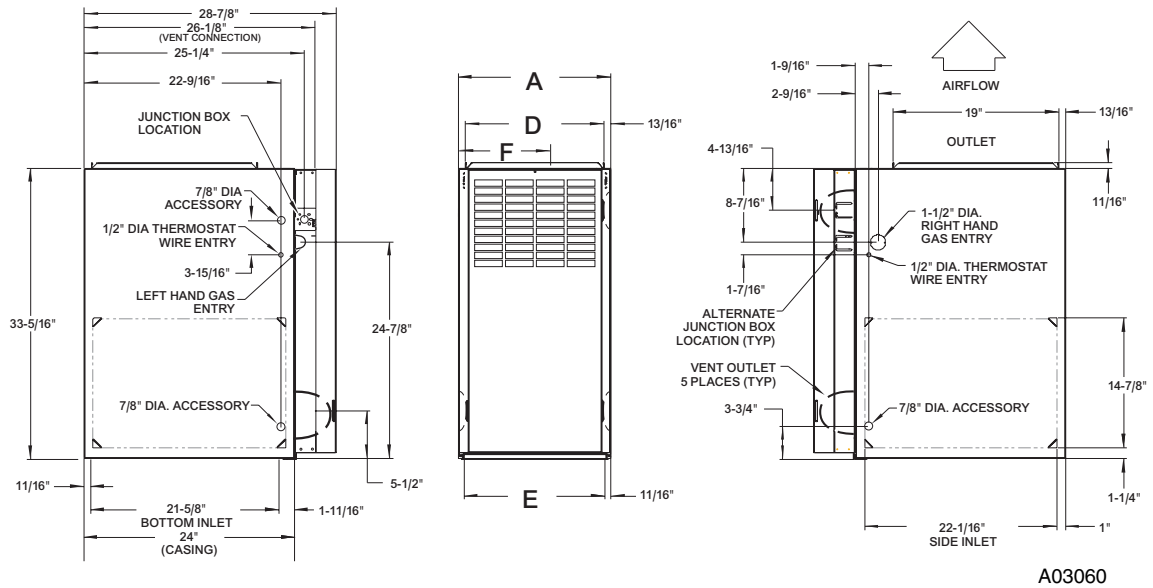
58ST/STX

UNIT SIZE	RETURN-AIR SUPPLY	SPEED	EXTERNAL STATIC PRESSURE (In. wc)									
			0.1	0.2	0.3	0.4	0.5	0.6	0.7	0.8	0.9	1.0
045-08	Bottom or Side(s)	High	1085	1035	975	915	845	770	675	565	390	195
		Med-High	920	875	830	770	710	640	555	440	250	—
		Med-Low	820	775	730	680	620	555	470	360	190	—
045-12	Bottom or Side(s)	High	1450	1375	1305	1225	1145	1050	955	845	705	510
		Med-High	1360	1300	1240	1175	1115	1040	950	850	725	575
		Med-Low	1250	1210	1160	1100	1040	965	885	790	670	520
070-08	Bottom or Side(s)	High	1030	1010	980	945	900	845	775	680	490	335
		Med-High	835	815	790	760	720	675	610	490	375	265
		Med-Low	725	700	675	645	600	555	475	390	300	—
070-12	Bottom or Side(s)	High	1425	1375	1320	1265	1200	1125	1035	940	830	655
		Med-High	1320	1280	1240	1205	1140	1075	995	905	790	620
		Med-Low	1200	1175	1145	1105	1050	990	920	840	725	555
070-16	Bottom or Side(s)	High	1805	1740	1670	1600	1530	1445	1360	1280	1180	1075
		Med-High	1630	1585	1530	1470	1405	1330	1255	1170	1080	990
		Med-Low	1460	1420	1385	1325	1280	1220	1155	1080	995	910
090-14	Bottom or Side(s)	High	1650	1600	1535	1465	1385	1285	1175	1055	895	645
		Med-High	1515	1485	1440	1380	1300	1220	1115	990	830	600
		Med-Low	1385	1360	1320	1260	1195	1120	1025	915	710	565
090-16	Bottom or Side(s)	High	2060	1985	1915	1820	1720	1610	1490	1340	1135	925
		Med-High	1790	1765	1715	1645	1560	1470	1345	1195	1010	820
		Med-Low	1505	1505	1480	1440	1375	1300	1190	1045	890	740
090-20	Bottom Only	High	2405	2310	2220	2130	2025	1920	1790	1660	1530	1350
		Med-High	2225	2155	2080	1995	1895	1785	1675	1565	1420	1260
		Med-Low	2020	1955	1880	1805	1730	1630	1535	1420	1275	1135
	Both Sides or 1 Side & Bottom	High	2530	2450	2365	2270	2165	2065	1940	1805	1670	1505
		Med-High	2285	2215	2150	2075	1985	1890	1780	1660	1525	1360
		Med-Low	1995	1945	1900	1840	1770	1685	1600	1480	1350	1180
1 Side Only	High	2475	2395	2300	2200	2090	1985	1865	1730	1585	1425	
	Med-High	2260	2190	2110	2035	1940	1845	1735	1620	1475	1325	
	Med-Low	1950	1910	1855	1795	1730	1650	1555	1445	1310	1150	
110-12	Bottom or Side(s)	High	1625	1575	1515	1445	1355	1260	1165	990	785	—
		Med-High	1510	1470	1415	1355	1285	1185	1070	890	725	—
		Med-Low	1360	1335	1295	1250	1180	1100	985	810	—	—
110-16	Bottom or 1 Side	High	2035	1965	1880	1790	1680	1495	1365	1215	1075	875
		Med-High	1745	1710	1650	1560	1450	1340	1205	1090	955	750
		Med-Low	1530	1515	1470	1400	1310	1215	1095	990	830	670
110-22	Bottom Only	High	2530	2470	2400	2320	2220	2115	2000	1865	1730	1590
		Med-High	2230	2205	2165	2110	2035	1950	1855	1740	1615	1485
		Med-Low	1920	1900	1880	1845	1795	1730	1650	1555	1460	1340
	Both Sides or 1 Side & Bottom	High	—	—	2415	2350	2250	2145	2015	1875	1715	1560
		Med-High	2235	2200	2155	2100	2040	1955	1850	1740	1595	1470
		Med-Low	—	—	2115	2060	2000	1915	1810	1700	1585	1470
1 Side Only	High	2540	2495	2430	2355	2265	2175	2065	1935	1785	1650	
	Med-High	2125	2120	2105	2060	2010	1940	1840	1730	1615	1485	
	Med-Low	1790	1795	1790	1765	1720	1650	1585	1500	1390	1280	
135-16	Bottom or 1 Side	High	2090	2010	1930	1835	1710	1590	1470	1335	1025	835
		Med-High	1790	1755	1705	1640	1550	1465	1360	1210	945	785
		Med-Low	1545	1525	1500	1450	1380	1315	1215	1005	855	670
135-22	Bottom Only	High	2485	2400	2310	2215	2110	2000	1880	1725	1535	1355
		Med-High	2195	2150	2090	2000	1920	1825	1720	1565	1405	1255
		Med-Low	1880	1850	1820	1780	1715	1635	1540	1415	1290	1160
	Both Sides or 1 Side & Bottom	High	—	—	2385	2305	2195	2085	1960	1825	1670	1465
		Med-High	2180	2145	2060	2010	1945	1865	1765	1660	1515	1325
		Med-Low	—	—	2045	2000	1940	1865	1765	1660	1515	1325
1 Side Only	High	2135	2085	2245	2155	2055	1940	1825	1695	1555	1385	
	Med-High	1880	1850	2035	1975	1895	1795	1685	1565	1445	1265	
	Med-Low	1880	1850	1820	1780	1715	1635	1540	1415	1290	1160	
155-20	Bottom Only	High	2465	2430	2375	2305	2230	2110	2000	1865	1725	1545
		Med-High	2115	2105	2075	2030	1980	1910	1830	1725	1590	1425
		Med-Low	1800	1790	1770	1735	1695	1640	1570	1465	1345	1225
	Both Sides or 1 Side & Bottom	High	—	—	2375	2285	2200	2105	1995	1870	1730	1570
		Med-High	2155	2135	2095	2040	1975	1895	1790	1685	1550	1400
		Med-Low	—	—	2045	2000	1940	1865	1765	1660	1515	1325
1 Side Only	High	2140	2095	2260	2180	2085	1975	1865	1740	1605	1455	
	Med-High	1800	1790	2040	1975	1890	1810	1705	1595	1480	1325	
	Med-Low	1800	1790	1770	1735	1695	1640	1570	1465	1345	1225	

* A filter is required for each return-air supply. Airflow performance includes 1 in. washable filter media such as contained in factory-authorized accessory filter rack. To determine airflow performance without this filter, assume an additional .1 available external static pressure.

— Indicates unstable operating conditions.

Dimensions



58STA/STX UNIT SIZE	A CABINET WIDTH (IN.)	D SUPPLY WIDTH (IN.)	E BOTTOM RETURN WIDTH (IN.)	F TOP VENT OUTLET (IN.)	VENT CONNECTION SIZE (see note 1 & 2)
045-08	14-3/16	12-9/16	12-11/16	9-5/16	4
045-12	14-3/16	12-9/16	12-11/16	9-5/16	4
070-08	14-3/16	12-9/16	12-11/16	9-5/16	4
070-12	14-3/16	12-9/16	12-11/16	9-5/16	4
070-16	17-1/2	15-7/8	16-1/8	11-9/16	4
090-14	17-1/2	15-7/8	16-1/8	11-9/16	4
090-16	21	19-3/8	19-1/2	13-5/16	4
090-20	21	19-3/8	19-1/2	13-5/16	4
110-12	17-1/2	15-7/8	16-1/8	11-9/16	4
110-16	21	19-3/8	19-1/2	13-5/16	4
110-22	21	19-3/8	19-1/2	13-5/16	4
135-16	21	19-3/8	19-1/2	13-5/16	4 (note 1)
135-22	24-1/2	22-7/8	23	15-1/16	4 (note 1)
155-20	24-1/2	22-7/8	23	15-1/16	4 (note 1)

Notes: 1) 135 and 155 size furnaces require 5-in. vents. Use a 4-5 in. vent adapter between furnace and vent stack.
 2) See Installation Instructions for complete installation requirements.

INSTALLATION	
MINIMUM INCHES CLEARANCE TO COMBUSTIBLE CONSTRUCTION DISTANCE MINIMALE EN POUCES AUX CONSTRUCTIONS COMBUSTIBLES	
<p>This forced air furnace is equipped for use with natural gas at altitudes 0-10,000 ft (0-3,050m). An accessory kit, supplied by the manufacturer, shall be used to convert to propane gas use or may be required for some natural gas applications.</p> <p>This furnace is for indoor installation in a building constructed on site.</p> <p>This furnace may be installed on combustible flooring in alcove or closet at minimum clearance as indicated by the diagram from combustible material.</p> <p>This furnace may be used with a Type B-1 Vent and may be vented in common with other gas fired appliances.</p>	<p>This furnace is approved for UPFLOW, DOWNFLOW, and HORIZONTAL installations.</p> <p>Cette fournaise est approuvée pour l'installation HORIZONTALE et la circulation d'air VERS LE HAUT et VERS LE BAS.</p> <p>Clearance arrows do not change with furnace orientation.</p> <p>Les flèches de dégagement ne change pas avec l'orientation de la fournaise.</p>
<p>Cette fournaise à air pulsé est équipée pour utilisation avec gaz naturel et altitudes comprises entre 0-3,050m (0-10,000 pi).</p> <p>Utiliser une trousse de conversion, fournie par le fabricant, pour passer au gaz propane ou pour certaines installations au gaz naturel.</p> <p>Cette fournaise est prévue pour être installée dans un bâtiment construit sur place.</p> <p>Cette fournaise peut être installée sur un plancher combustible dans une alcôve ou dans un garde-robe en respectant le minimum d'espace libre des matériaux combustibles, tel qu'indiqué sur le diagramme.</p> <p>Cette fournaise peut être utilisée avec un conduit d'évacuation de Type B-1 ou connectée au conduit omnnun d'autres appareils à gaz.</p>	<div style="text-align: center;"> </div> <p>Clearance in inches Dégagement (po).</p> <p>Vent Clearance to combustibles: For Single Wall vents 6 inches (6 po). For Type B-1 vent type 1 inch (1 po).</p> <p>Dégagement de l'évent avec combustibles: Pour conduit d'évacuation à paroi simple 6 po (6 inches). Pour conduit d'évacuation de Type B-1 1 po (1 inch).</p>
MINIMUM INCHES CLEARANCE TO COMBUSTIBLE CONSTRUCTION	
<p>DOWNFLOW POSITIONS:</p> <p>† Installation on non-combusibile floors only.</p> <p>For Installation on combustible flooring only when installed on special base, Part No. KGASB0201ALL, Coil Assembly, Part No. CD5 or CK5, or Coil Casing, Part No. KCAKC.</p> <p>Ø 18 inches front clearance required for alcove.</p> <p>* Indicates supply or return sides when furnace is in the horizontal position. Line contact only permissible between lines formed by intersections of the Top and two Sides of the furnace jacket, and building joists, studs or framing.</p>	
DÉGAGEMENT MINIMUM EN POUCES AVEC ÉLÉMENTS DE CONSTRUCTION COMBUSTIBLES	
<p>POUR LA POSITION COURANT DESCENDANT:</p> <p>† Pour l'installation sur plancher non combustible seulement.</p> <p>Pour l'installation sur un plancher combustible seulement quand on utilise la base spéciale, pièce n° KGASB0201ALL, l'ensemble serpentin, pièce n° CD5 ou CK5, ou le carter de serpentin, pièce n° KCAKC.</p> <p>Ø Dans une alcôve, on doit maintenir un dégagement à l'avant de 18 po (450mm).</p> <p>* La position indiquée concerne le côté d'entrée ou de retour quand la fournaise est dans la position horizontale.</p> <p>Le contact n'est permis qu'entre les lignes formées par les intersections du dessus et des deux côtés de la cherrise de la fournaise et les solives, montant sous cadre de charpente.</p>	
<p>327590-101 REV. C</p>	



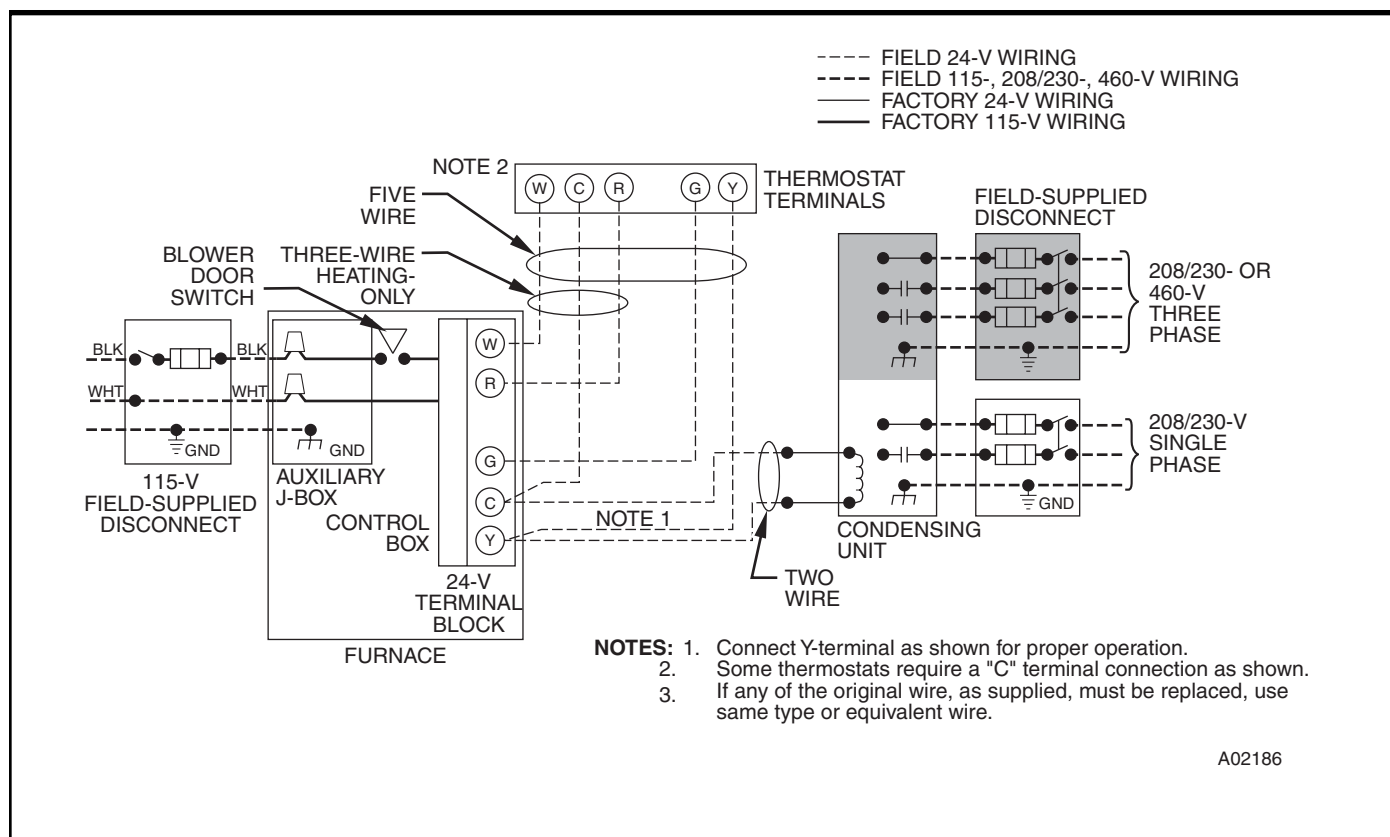
ISO 9001:2000



MEETS DOE RESIDENTIAL CONSERVATION SERVICES PROGRAM STANDARDS.

Before purchasing this appliance, read important energy cost and efficiency information available from your retailer.

Typical wiring schematic



58STA/STX

Electrical data

58STA/STX UNIT SIZE	VOLTS-HERTZ-PHASE	OPERATING VOLTAGE RANGE		MAXIMUM UNIT AMPS	MAXIMUM WIRE LENGTH (FT)‡	MAXIMUM FUSE OR CKT BKR AMPS†	MINIMUM WIRE GAGE
		Maximum*	Minimum*				
045-08	115-60-1	127	104	5.4	49	15	14
045-12	115-60-1	127	104	7.0	39	15	14
070-08	115-60-1	127	104	5.0	52	15	14
070-12	115-60-1	127	104	6.8	40	15	14
070-16	115-60-1	127	104	9.5	29	15	14
090-14	115-60-1	127	104	8.2	34	15	14
090-16	115-60-1	127	104	10.0	28	15	14
090-20	115-60-1	127	104	13.6	32	20	12
110-12	115-60-1	127	104	8.2	34	15	14
110-16	115-60-1	127	104	10.1	28	15	14
110-22	115-60-1	127	104	14.8	30	20	12
135-16	115-60-1	127	104	10.2	27	15	14
135-22	115-60-1	127	104	14.4	30	20	12
155-20	115-60-1	127	104	15.0	29	20	12

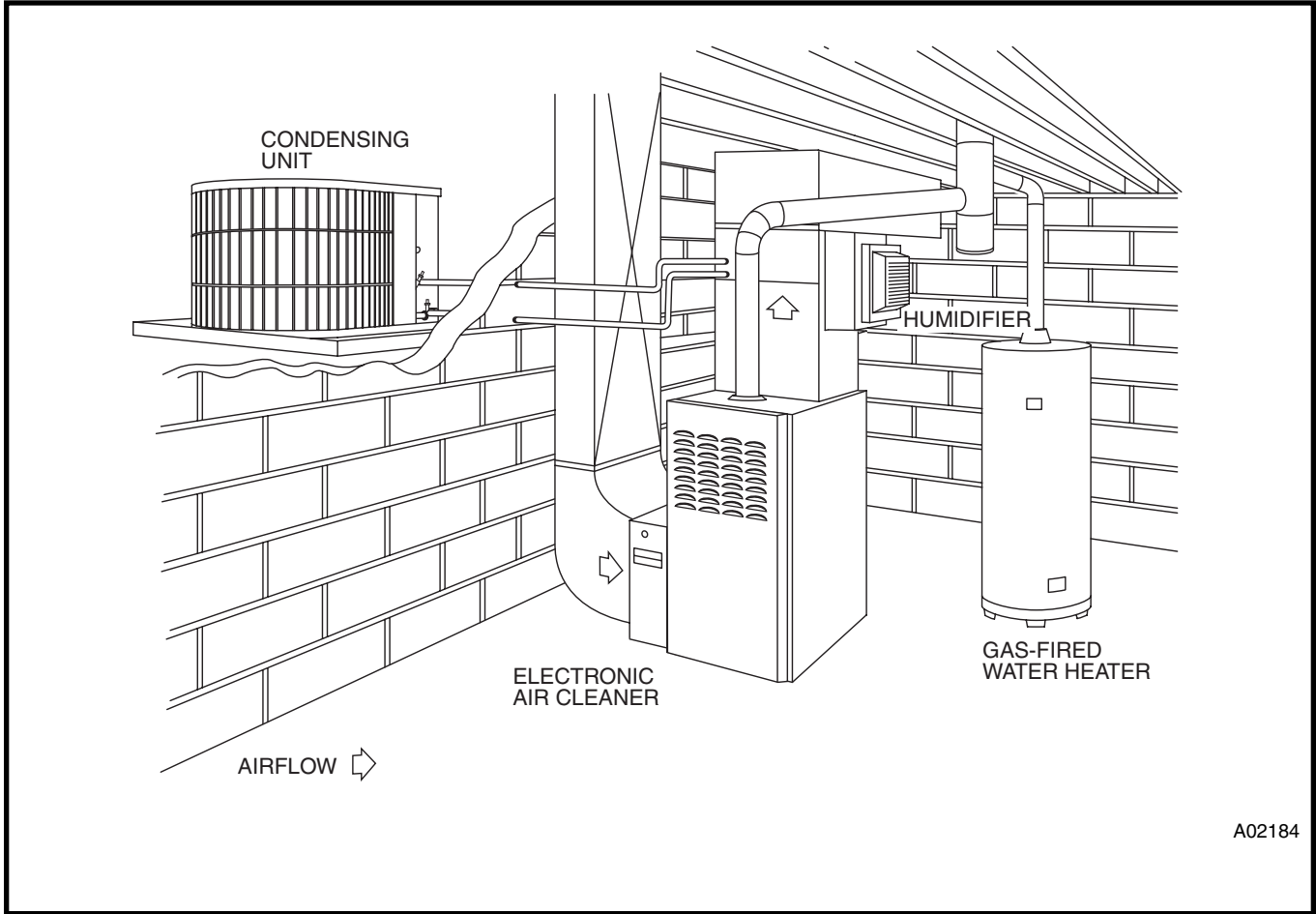
* Permissible limits of the voltage range at which unit operates satisfactorily.

† Time-delay type is recommended.

‡ Length shown is as measured one way along wire path between unit and service panel for maximum 2 percent voltage drop.

Typical installation

58ST/STX



A02184

Guide Specifications

Gas Furnace

58STA/STX

General

SYSTEM DESCRIPTION

Furnish a _____ fixed capacity gas-fired furnace for use with natural gas or propane (factory authorized conversion kit required for propane); furnish cold air return plenum; furnish side (external) filter rack.

QUALITY ASSURANCE

Unit will be designed, tested and constructed to the current ANSI Z 21.47/CSA 2.3 design standard for gas-fired central furnaces.

Unit will be 3rd party certified by CSA to the current ANSI Z 21.47/CSA 2.3 design standard for gas-fired central furnaces.

Unit will carry the CSA Blue Star® and Blue Flame® labels.

Unit efficiency testing will be performed per the current DOE test procedure as listed in the Federal Register.

Unit will be certified for capacity and efficiency and listed in the latest GAMA Consumer's Directory of Certified Efficiency Ratings.

Unit will carry the current Federal Trade Commission Energy Guide efficiency label.

DELIVERY, STORAGE, AND HANDLING

Unit shall be shipped as single package only and is stored and handled per unit manufacturer's recommendations.

WARRANTY (for inclusion by specifying engineer)

U.S. and Canada only. Warranty certificate available upon request.

Products

EQUIPMENT

Components shall include: slow-opening gas valve to reduce ignition noise, regulate gas flow, with electric switch gas shut-off; flame proving sensor, hot surface igniter, pressure switch assembly; flame rollout switch, blower and inducer assembly, 40va transformer; low-voltage (heating) (heating/cooling) thermostat.

Blower Wheel and Blower Motor

Galvanized blower wheel shall be centrifugal type, statically and dynamically balanced. Blower motor of PSC type shall be permanently lubricated with sealed bearings, of _____hp, and shall be multiple-speed direct drive. Blower motor shall be soft mounted to the blower scroll to reduce vibration transmission.

Filters

Furnace shall have reusable-type filters. Filter shall be _____ in (x) _____ in.

Casing

Casing shall be of .030 in. thickness minimum, pre-painted galvanized steel.

Inducer Motor

Inducer motor shall be soft mounted to reduce vibration transmission.

Draft Safeguard Switch

Draft Safeguard Switch (blocked vent safeguard) shall be factory installed to reduce the possibility of vent gas infiltration due to a blocked or restricted vent pipe.

Heat Exchangers

Heat exchangers shall be a 4-Pass 20 gage aluminized steel of fold-and-crimp sectional design when applied operating under negative pressure.

Controls

Control shall include a micro-processor based integrated electronic control board with at least 11 service troubleshooting codes displayed via diagnostic flashing LED light on the control, a self-test feature that checks all major functions of the furnace within one minute, and a replaceable automotive-type circuit protection fuse. Multiple operational settings available including, separate blower speeds for low heat, high heat, low cooling, high cooling and continuous fan. Continuous fan speed may be adjusted from the thermostat. Cooling airflow will be selectable between 350 or 400 CFM per ton of air conditioning. Features will also include temporary reduced airflow in the cooling mode for improved dehumidification when an Infinity Control or Thermidistat® is selected as the thermostat.

OPERATING CHARACTERISTICS

Heating Capacity shall be _____ Btuh input; _____ Btuh output capacity.

Fuel Gas Efficiency shall be 80% AFUE.

Air delivery shall be _____ cfm minimum at 0.50 in. wg external static pressure.

Dimensions shall be: depth _____ in.; width _____ in; height _____ in. (casing only). Height shall be _____ in. with A/C coil and _____ in. overall with plenum.

ELECTRICAL REQUIREMENTS

Electrical supply shall be 115 volts, 60 Hz, single-phase (nominal). Minimum wire size shall be _____AWG; maximum fuse size or HACR-type designated circuit breaker shall be _____Amps.

SPECIAL FEATURES

Refer to section of the product data sheet identifying accessories and descriptions for specific features and available enhancements.