


Installation and Start-Up Instructions

NOTE: Read the entire instruction manual before starting the installation.

SAFETY CONSIDERATIONS

Improper installation, adjustment, alteration, service, maintenance, or use can cause explosion, fire, electrical shock, or other conditions which may cause death, personal injury, or property damage. Consult a qualified installer, service agency, or your distributor or branch for information or assistance. The qualified installer or agency must use factory-authorized kits or accessories when modifying this product. Refer to the individual instructions packaged with the kits or accessories when installing.

Follow all safety codes. Wear safety glasses, protective clothing, and work gloves. Use quenching cloth for brazing operations. Have fire extinguisher available. Read these instructions thoroughly and follow all warnings or cautions included in literature and attached to the unit. Consult local building codes and national electric codes for special requirements.

Recognize safety information. This is the safety-alert symbol . When you see this symbol on the unit and in instructions or manuals, be alert to the potential for personal injury.

Understand the signal word DANGER, WARNING, or CAUTION. These words are used with the safety-alert symbol. DANGER identifies the most serious hazards which **will** result in severe personal injury or death. WARNING signifies hazards which **could** result in personal injury or death. CAUTION is used to identify unsafe practices which **would** result in minor personal injury or product and property damage.

WARNING

Before installing, modifying, or servicing system, main electrical disconnect switch must be in the OFF position. There may be more than 1 disconnect switch. Lock out and tag switch with a suitable warning label. Electrical shock can cause personal injury or death.

INSTALLATION

Step 1—Check Equipment and Jobsite

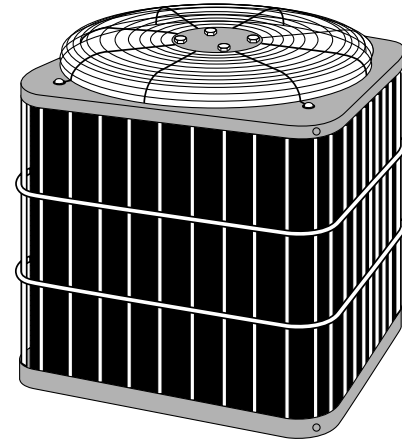
UNPACK UNIT — Move to final location. Remove carton taking care not to damage unit.

INSPECT EQUIPMENT — File claim with shipping company prior to installation if shipment is damaged or incomplete. Locate unit rating label on unit service panel. (See Fig. 2.) It contains information needed to properly install unit. Check rating label to be sure unit matches job specifications.

Step 2—Install on a Solid, Level Mounting Pad

If conditions or local codes require the unit be attached to pad, tiedown bolts should be used and fastened through knockouts provided in unit base pan. Refer to unit mounting pattern in Fig. 2 to determine base pan size and knockout hole location.

When installing, allow sufficient space for airflow clearance, wiring, refrigerant piping, and service. Allow 30-in. (762mm) clearance to service end of unit and 48 in. (1219mm) above unit.



A94356

Fig. 1—Model 38CKB

For proper airflow, a 6-in. (152mm) clearance on 1 side of unit and 12 in. (305mm) on all remaining sides must be maintained. Maintain a distance of 24 in. (610mm) between air conditioners. Position so water, snow, or ice from roof or eaves cannot fall directly on unit.

On rooftop applications, locate unit 6 in. (152mm) above roof surface. Where possible, place unit above a load-bearing wall.

Arrange supporting members to adequately support unit and minimize transmission of vibration to building. Consult local codes governing rooftop applications.

Step 3—Replace Indoor AccuRater® Piston, if Required

Check indoor coil piston to see if it matches the required piston shown on unit rating label. If it does not match, replace indoor coil piston with piston shipped with this unit. The piston shipped with outdoor unit is correct for any approved indoor coil combination.

CAUTION

Remove indoor coil piston if unit is to be installed on system with a TXV metering device.

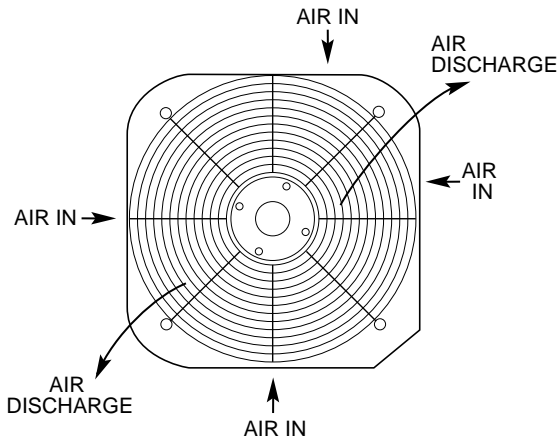
Step 4—Make Piping Connections

Outdoor units may be connected to indoor sections using accessory tubing package or field-supplied refrigerant grade tubing of correct size and condition. For tubing requirements beyond 50 ft (15.24m), consult Long-Line Application Guideline which is available at your local distributor.

NOTE: In some cases, noise in the living area has been traced to gas pulsations from improper installation of equipment.

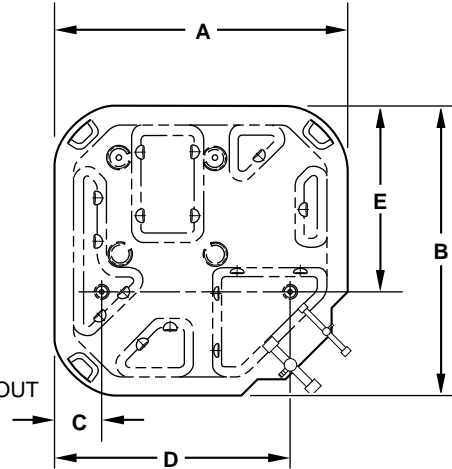
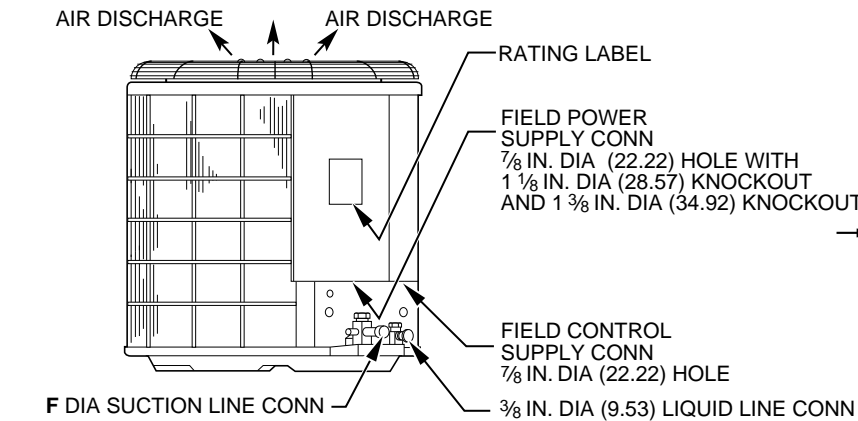
INSTALLATION RECOMMENDATIONS

1. Locate the unit away from windows.
2. Ensure that vapor and liquid tube diameters are appropriate to the capacity of the unit. (See Table 1.)



NOTES:

1. Allow 30 in. (762) clearance to service sides of unit, 48 in. (1219.2) above unit, 6 in. (152.4) on one side, 12 in. (304.8) on remaining side, and 24 in. (609.6) between units for proper airflow.
2. Minimum outdoor operating ambient in cooling mode is 55 F (12.8 C), max 115 F (46.1 C).
3. Dimensions in parenthesis are in millimeters.
4. Series designation is the 13th position of the unit model number.



A91173

UNIT SIZE	A/B		C		D		E		F	
	In.	mm	In.	mm	In.	mm	In.	mm	In.	mm
018	18	457.2	3	76.2	15	381.0	10-3/16	258.8	5/8	15.9
024	22-1/2	571.5	3-11/16	93.6	18-1/8	460.4	14-3/8	365.1	5/8	15.9
036	22-1/2	571.5	3-11/16	93.6	18-1/8	460.4	14-3/8	365.1	3/4	19.1
048, 060	30	762.0	6-1/2	165.1	23-1/2	596.9	20	508.0	7/8	22.2

Fig. 2—Unit Reference Drawing

3. Run refrigerant tubes as directly as possible by avoiding unnecessary turns and bends.
4. Leave some slack between the structure and the unit to absorb vibration.
5. When passing refrigerant tubes through the wall, seal the opening with RTV or other pliable silicon-based caulk. (See Fig. 3.)
6. Avoid direct lineset contact with water pipes, ductwork, floor joists, wall studs, floors, and walls.
7. Do not suspend refrigerant tubing from joists and studs with a rigid wire or strap which comes in direct contact with the tubing. (See Fig. 3.)
8. Ensure that tubing insulation is pliable and completely surrounds the vapor tube.
9. When necessary, use hangar straps which are 1 in. (25mm) wide and conform to the shape of the tubing insulation. (See Fig. 3.)
10. Isolate the hangar straps from the insulation by using metal sleeves bent to conform to the shape of the insulation.

If refrigerant tubes or indoor coil is exposed to atmospheric conditions for longer than 5 minutes, it must be evacuated to 500 microns to eliminate contamination and moisture in the system.

⚠ CAUTION

To prevent compressor damage DO NOT bury more than 36 in. (914mm) of refrigerant tubing. If ANY tubing is buried, provide 6 in. (152mm) vertical rise at service valve.

OUTDOOR UNITS CONNECTED TO FACTORY-APPROVED INDOOR UNITS — Outdoor unit contains correct system refrigerant charge for operation with indoor unit of the same size when connected by 15 ft (4.55m) of field-supplied or factory-accessory tubing. Check refrigerant charge for maximum efficiency.

REFRIGERANT TUBING — Connect tubing to fittings on outdoor unit vapor and liquid service valves. (See Fig. 2.)

⚠ WARNING

Relieve pressure and recover all refrigerant before system repair or final unit disposal to avoid personal injury or death. Use all service ports and open all flow-control devices, including solenoid valves.

Table 1—Refrigerant Connections and Recommended Liquid and Vapor Tube Diameters

UNIT SIZE	LIQUID				VAPOR			
	Connection Dia.		Tube Dia.		Connection Dia.		Tube Dia.	
	In.	mm	In.	mm	In.	mm	In.	mm
018, 024	3/8	9.53	3/8	9.53	5/8	15.88	5/8	15.88
036	3/8	9.53	3/8	9.53	3/4	19.05	3/4	19.05
048	3/8	9.53	3/8	9.53	7/8	22.23	7/8	22.23
060	3/8	9.53	3/8	9.53	7/8	22.23	1-1/8	28.58

1. Tube diameters are for lengths up to 50 ft (15.24m). For tube sets over 50 ft (15.24m), consult Long-Line Application Guideline.
 2. Do not apply capillary tube indoor coils to these units.

⚠ CAUTION

To prevent damage to unit or service valves observe the following:

- Use a brazing shield.
- Wrap service valves with wet cloth or use a heat sink material.

SWEAT CONNECTION — Use refrigerant grade tubing. Service valves are closed from factory and ready for brazing. After wrapping the service valve with a wet cloth, the tubing set can be brazed to the service valve using either silver bearing or non-silver bearing brazing material. Consult local code requirements. Refrigerant tubing and indoor coil are now ready for leak testing. This check should include all field and factory joints.

NOTE: Avoid contact between tubing and structure.

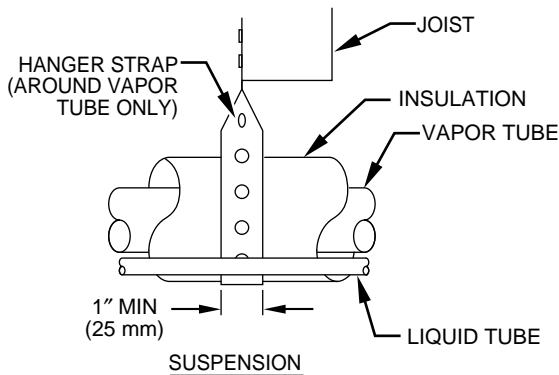
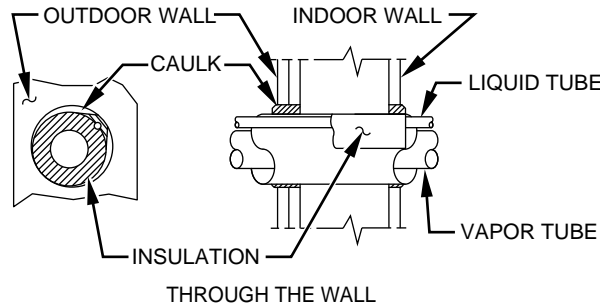


Fig. 3—Piping Installation

A94330

Step 5—Make Electrical Connections

Be sure field wiring complies with local and national fire, safety, and electrical codes, and voltage to system is within limits shown on unit rating label. Contact local power company for correction of improper voltage. See unit rating label for recommended circuit protection device.

NOTE: Operation of unit on improper line voltage constitutes abuse and could affect unit reliability. See unit rating label. Do not install unit in system where voltage or phase imbalance may fluctuate above or below permissible limits.

NOTE: Use copper wire only between disconnect switch and unit.

NOTE: Install branch circuit disconnect per local codes of adequate size to handle unit starting current. Locate disconnect within sight from and readily accessible from unit per local codes.

⚠ WARNING

To avoid personal injury or death, do not supply power to unit with compressor terminal box cover removed.

⚠ WARNING

The unit cabinet must have an uninterrupted or unbroken ground to minimize personal injury if an electrical fault should occur. The ground may consist of electrical wire or metal conduit when installed in accordance with existing electrical codes. Failure to follow this warning can result in an electric shock, fire, or death.

ROUTE GROUND AND POWER WIRES — Remove access panel and control box cover to gain access to unit wiring. Extend wires from disconnect through power wiring hole provided and into unit control box. (See Fig. 2.) Size wires per local codes, but not smaller than minimum wire size shown on unit rating label.

CONNECT GROUND AND POWER WIRES — Connect ground wire to ground connection in control box for safety. Connect power wiring to contactor as shown in Fig. 4.

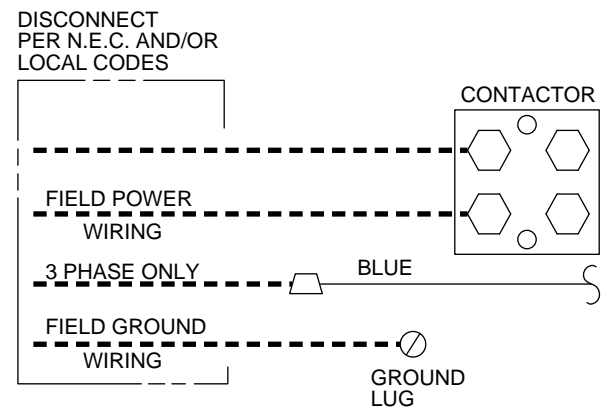


Fig. 4—Line Power Connections

A94025

NOTE: Use No. 18 AWG (American Wire Gage) color-coded, insulated (35° C minimum) wire. If thermostat is located more than 100 ft (30.5m) from unit as measured along the control voltage wires, use No. 16 AWG color-coded wires to avoid excessive voltage drop.

CONNECT CONTROL WIRING—Route 24-v control wires through control wiring grommet and connect to brown and blue pigtails supplied in unit splice box. (See Fig. 5.)

Use furnace transformer, fan-coil transformer, or accessory transformer for control power, 24-v/40va minimum.

NOTE: Use of available 24-v accessories may exceed the minimum 40-va power requirement. Determine total transformer loading and increase the transformer capacity or split the load with an accessory transformer as required.

Step 6—Compressor Crankcase Heat

When equipped with a crankcase heater, energize heater a minimum of 24 hrs before starting unit. To energize heater only, set thermostat to OFF position and close electrical disconnect to outdoor unit.

A crankcase heater is required if the refrigerant tubing is longer than 50 ft (15.24m).

Step 7—Install Electrical Accessories, If Any

Refer to the individual instructions packaged with the kit or accessory when installing.

Step 8—Start-Up and Check Charge

⚠ CAUTION

To prevent compressor damage or personal injury, observe the following:

- Do not overcharge system with refrigerant.
- Do not operate unit in a vacuum or at negative pressure.
- Do not disable low-pressure switch.

In scroll compressor applications:

- Dome temperatures may be hot.
- In 3 phase application, incorrect phasing will cause reverse rotation, resulting in elevated noise levels, equalized pressures and reduced current draw. Correct by reversing power connection L1 and L2 on contactor.

⚠ CAUTION

To prevent personal injury wear safety glasses, protective clothing, and gloves when handling refrigerant and observe the following:

- Back seating service valves are not equipped with Schrader valves. Fully back seat (counter clockwise) valve stem before removing gage port cap.
- Front seating service valves are equipped with Schrader valves.

⚠ CAUTION

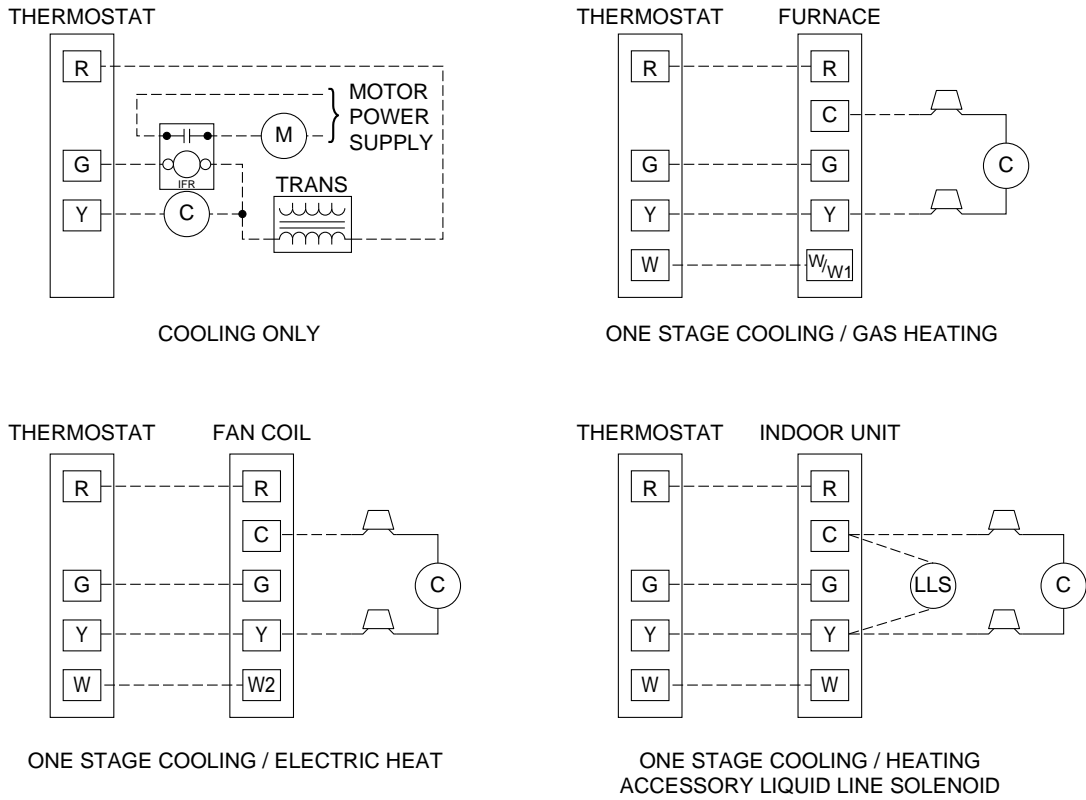
Do not vent refrigerant to atmosphere. Recover during system repair or final unit disposal.

1. Fully back seat (open) liquid and vapor tube service valves.
2. Unit is shipped with valve stem(s) front seated and caps installed. Replace stem caps after system is opened to refrigerant flow (back seated). Replace caps finger-tight and tighten additional 1/6 turn with wrench.
3. Close electrical disconnects to energize system.
4. Set room thermostat at desired temperature. Be sure set point is below indoor ambient temperature.
5. Set room thermostat at COOL and fan switch at FAN or AUTO, as desired. Operate unit for 15 minutes. Check system refrigerant charge.
6. Factory charge is shown on unit rating label. Adjust charge by following procedure shown on charging tables located on unit.

Step 9—Leave User's Manual with Owner

For continued high performance and to minimize possible equipment failure, periodic maintenance **MUST** be performed on this equipment.

Leave User's Manual with owner. Explain system operation and periodic maintenance requirements outlined in manual. Frequency of maintenance may vary depending on geographic areas, such as coastal applications which require more frequent maintenance.



NOTES:

1. Wiring must conform to local codes.
2. LLS required on some units. See specific unit instructions.
3. Transformer required is 24-v, 40-va minimum. A 60-va or external power source may be necessary when installing accessories.
4. When installing electronic thermostat, connect transformer common to thermostat C.

LEGEND:

- | | |
|------------------------------|------------------------|
| (C) – COMPRESSOR CONTACTOR | (M) – INDOOR FAN MOTOR |
| (LLS) – LIQUID LINE SOLENOID | TRANS – TRANSFORMER |
| | IFR – INDOOR FAN RELAY |

Fig. 5—24-v Control Circuit Connections

A94331

Manufacturer reserves the right to discontinue, or change at any time, specifications or designs without notice and without incurring obligations.