



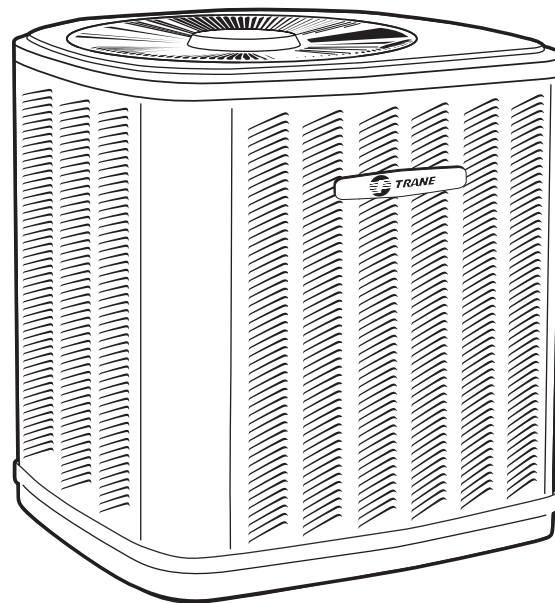
TRANE®

SSP-PRC017-EN

Split System Heat Pump Product & Performance Data

**Three Phase
2TWA3030-060A3/4**

2½ – 5 Tons



PUB. NO. 22-1775-01-1205 (EN)



Features and Benefits

- **Climatuff**[®] compressor
- All aluminum **Spine Fin**[™] coil
- **DuraTuff**[™] base, fast complete drain, weatherproof
- **WeatherGuard**[™] fasteners
- Polyslate gray cabinet
- **Quick-Sess**[™] cabinet, easy service access and refrigerant connections with full coil protection
- Demand Defrost Control with Diagnostics
- Corrosion resistant finish
- Internal compressor high/low pressure and temperature protection
- Low pressure switch
- Liquid line filter-drier
- **Comfort "R"**[™] mode approved
- Crankcase heat provided
- Easy single side service
- Multi-use service valves
- Easy top & fan removal
- Full length control
- R-22 refrigerant
- **5 Year limited warranty on compressor, coil and parts (Residential Use Only)**
- **5 Year limited warranty on compressor, coil and 1 year on parts (Commercial Use Only)**
- **Extended warranties available**
- S.E.E.T. design testing
- 100% line run test
- Low ambient cooling to 55°F as shipped
- Low ambient cooling to 30°F with EDC accessory AY28X079 and TXV
- Low ambient cooling to 0°F with TXV and BAYLOAM103

Contents

Features and Benefits	2
General Data	4
Product Specifications	4
A-weighted Sound Power Level [dB(A)]	4
Accessory Description and Usage	5
ARI Standard Capacity Rating Conditions	5
Model Nomenclature	7
System Ratings	8
2TWA3030A3/4	8
2TWA3036A3/4	11
2TWA3042A3/4	14
2TWA3048A3/4	17
2TWA3060A3/4	20
Performance Data Cooling	21
2TWA3030A3/4	21
2TWA3036A3/4	25
2TWA3042A3/4	29
2TWA3048A3/4	33
2TWA3060A3/4	36
Performance Data Heating	38
2TWA3030A3/4	38
2TWA3036A3/4	42
2TWA3042A3/4	46
2TWA3048A3/4	50
2TWA3060A3/4	53
Electrical Data	55
Dimensions	58
Mechanical Specification Options	59



General Data

Product Specifications

Model No. ①	2TWA3030A3	2TWA3030A4	2TWA3036A3	2TWA3036A4
Electrical Data V/Ph/Hz ②	200/230/3/60	460/3/60	200/230/3/60	460/3/60
Min Cir Ampacity	9	5	11	6
Max Fuse Size (Amps)	15	15	15	15
Compressor	CLIMATUFF®	CLIMATUFF®	CLIMATUFF®	CLIMATUFF®
RL Amps - LR Amps	6.8 - 54.9	3.4 - 28	7.8 - 75	3.9 - 37.6
Outdoor Fan FL Amps	0.9	0.4	1.3	0.7
Fan HP	1/8	1/8	1/6	1/6
Fan Dia (inches)	23.0	23.0	27.6	27.6
Coil	Spine Fin™	Spine Fin™	Spine Fin™	Spine Fin™
Refrigerant R-22	6/07-LB/OZ	6/07-LB/OZ	7/06-LB/OZ	7/06-LB/OZ
Line Size - (in.) O.D. Gas ③	3/4	3/4	7/8	7/8
Line Size - (in.) O.D. Liquid ③	5/16	5/16	3/8	3/8
Dimensions H x W x D (Crated)	42 x 30.1 x 33	42 x 30.1 x 33	42.4 x 35.1 x 38.7	42.4 x 35.1 x 38.7
Weight - Shipping	239	239	285	286
Weight - Net	211	211	251	252
Start Components	NO	NO	NO	NO
Sound Enclosure	NO	NO	NO	NO
Compressor Sump Heat	YES	YES	YES	YES
Optional Accessories: ④				
Anti-short Cycle Timer	TAYASCT501A	TAYASCT501A	TAYASCT501A	TAYASCT501A
Evaporator Defrost Control A/C	AY28X084	AY28X084	AY28X084	AY28X084
Electronic Head Pressure Control	BAYLOAM103	BAYLOAM103	BAYLOAM103	BAYLOAM103
Rubber Isolator Kit	BAYISLT101	BAYISLT101	BAYISLT101	BAYISLT101
Snow Leg - Base & Cap 4" High	BAYLEGS002	BAYLEGS002	BAYLEGS002	BAYLEGS002
Snow Leg - 4" Extension	BAYLEGS003	BAYLEGS003	BAYLEGS003	BAYLEGS003
Extreme Condition Mounting Kit	BAYECMT001	BAYECMT001	BAYECMT001	BAYECMT001
Seacoast Kit	BAYSEAC001	BAYSEAC001	BAYSEAC001	BAYSEAC001
Refrigerant Lineset ⑤	TAYREFLN2*	TAYREFLN2*	TAYREFLN3*	TAYREFLN3*

① Certified in accordance with the Air-Source Unitary Heat Pump equipment certification program which is based on ARI Standard 210/240.

② Calculated in accordance with N.E.C. Use only HACR circuit breakers or fuses.

③ Standard line lengths - 60', Standard lift - 60' Suction and Liquid line.

For Greater lengths and lifts refer to refrigerant piping software Pub# 32-3312-01. (*denotes latest revision)

④ For accessory description and usage, see page 5.

⑤ * = 15, 20, 25, 30, 40 and 50 foot lineset available.

A-weighted Sound Power Level [dB(A)]

MODEL	SOUND POWER LEVEL [dB(A)]	A-WEIGHTED FULL OCTAVE SOUND POWER LEVEL dB - [dB(A)]							
		63	125	250	500	1000	2000	4000	8000
2TWA3030A	77	44.8	59.6	62.8	69.3	70.7	68.7	57.6	51.8
2TWA3036A	79	48.9	62.6	67.1	72.6	72.4	71.0	60.7	49.1
2TWA3042A	80	46.1	55.2	70.5	73.4	73.9	71.3	60.9	49.7
2TWA3048A	78	46.7	56.8	67.7	71.7	73.4	70.3	62.1	50.3
2TWA3060A	73	41.6	43.7	56.2	65.0	66.3	66.5	60.5	51.6

Note: Tested in accordance with ARI Standard 270.95. (Not listed with ARI)

General Data

Product Specifications

Model No. ①	2TWA3042A3	2TWA3042A4	2TWA3048A3	2TWA3048A4
Electrical Data V/Ph/Hz ②	200/230/3/60	460/3/60	200/230/3/60	460/3/60
Min Cir Ampacity	13	7	16	9
Max Fuse Size (Amps)	20	15	25	15
Compressor	CLIMATUFF®	CLIMATUFF®	CLIMATUFF®	CLIMATUFF®
RL Amps - LR Amps	9.5 - 86.6	5.1 - 43.1	11.7 - 100.1	6.4 - 49.8
Outdoor Fan FL Amps	1.3	0.7	1.3	0.7
Fan HP	1/6	1/6	1/5	1/5
Fan Dia (inches)	27.6	27.6	27.6	27.6
Coil	Spine Fin™	Spine Fin™	Spine Fin™	Spine Fin™
Refrigerant R-22	9/09-LB/OZ	9/09-LB/OZ	9/09-LB/OZ	9/09-LB/OZ
Line Size - (in.) O.D. Gas ③	7/8	7/8	1-1/8	1-1/8
Line Size - (in.) O.D. Liquid ③	3/8	3/8	3/8	3/8
Dimensions H x W x D (Crated)	46.4 x 35.1 x 38.7	46.4 x 35.1 x 38.7	46.4 x 35.1 x 38.7	46.4 x 35.1 x 38.7
Weight - Shipping	304	305	309	310
Weight - Net	269	269	274	275
Start Components	NO	NO	NO	NO
Sound Enclosure	NO	NO	NO	NO
Compressor Sump Heat	YES	YES	YES	YES
Optional Accessories: ④				
Anti-short Cycle Timer	TAYASCT501A	TAYASCT501A	TAYASCT501A	TAYASCT501A
Evaporator Defrost Control A/C	AY28X084	AY28X084	AY28X084	AY28X084
Electronic Head Pressure Control	BAYLOAM103	BAYLOAM103	BAYLOAM103	BAYLOAM103
Rubber Isolator Kit	BAYISLT101	BAYISLT101	BAYISLT101	BAYISLT101
Snow Leg - Base & Cap 4" High	BAYLEGS002	BAYLEGS002	BAYLEGS002	BAYLEGS002
Snow Leg - 4" Extension	BAYLEGS003	BAYLEGS003	BAYLEGS003	BAYLEGS003
Extreme Condition Mounting Kit	BAYECMT001	BAYECMT001	BAYECMT001	BAYECMT001
Seacoast Kit	BAYSEAC001	BAYSEAC001	BAYSEAC001	BAYSEAC001
Refrigerant Lineset ⑤	TAYREFLN3*	TAYREFLN3*	TAYREFLN4*	TAYREFLN4*

Accessory Description and Usage

Anti-Short Cycle Timer — Solid state timing device that prevents compressor recycling until 5 minutes have elapsed after satisfying call or power interruptions. Use in area with questionable power delivery, commercial applications, long lineset, etc.

Evaporator Defrost Control — SPST Temperature actuated switch that cycles the condenser off as indoor coil reaches freeze-up conditions. Used for low ambient cooling to 30°F with TXV.

Rubber Isolators — 5 large rubber donuts to isolate condensing unit from transmitting energy into mounting frame or pad. Use on any application where sound transmission needs to be minimized.

Hard Start kit — Start capacitor and relay to assist compressor motor startup. Use in areas with marginal power supply, on long linesets, low ambient conditions, etc.

Extreme Condition Mount Kit — Bracket kits to securely mount condensing unit to a frame or pad without removing any panels. Use in areas with high winds, or on commercial roof tops, etc.

ARI Standard Capacity Rating Conditions

ARI STANDARD 210/240 RATING CONDITIONS —

- (A) Cooling 80°F DB, 67°F WB air entering indoor coil, 95°F DB air entering outdoor coil.
- (B) High Temperature Heating 47°F DB, 43°F WB air entering outdoor coil, 70°F DB air entering indoor coil.
- (C) Low Temperature Heating 17°F DB, 15°F WB air entering outdoor coil, 70°F DB air entering indoor coil.
- (D) Rated indoor airflow for heating is the same as for cooling.

ARI STANDARD 270 RATING CONDITIONS — (Noise rating numbers are determined with the unit in cooling operation.) Standard Noise Rating number is at 95°F outdoor air.



SPLIT SYSTEM





General Data

Product Specifications

Model No. ①	2TWA3060A3	2TWA3060A4
Electrical Data V/Ph/Hz ②	200/230/3/60	460/3/60
Min Cir Ampacity	23	11
Max Fuse Size (Amps)	40	15
Compressor	CLIMATUFF® - SCROLL	CLIMATUFF® - SCROLL
RL Amps - LR Amps	17.3 - 123	7.9 - 49.5
Outdoor Fan FL Amps	1.2	0.6
Fan HP	1/5	1/5
Fan Dia (inches)	27.6	27.6
Coil	Spine Fin™	Spine Fin™
Refrigerant R-22	9/08-LB/OZ	9/08-LB/OZ
Line Size - (in.) O.D. Gas ③	1-1/8	1-1/8
Line Size - (in.) O.D. Liquid ③	3/8	3/8
Dimensions H x W x D (Crated)	46.4 x 35.1 x 38.7	46.4 x 35.1 x 38.7
Weight - Shipping	303	304
Weight - Net	268	268
Start Components	NO	NO
Sound Enclosure	NO	NO
Compressor Sump Heat	YES	YES
Optional Accessories: ④		
Anti-short Cycle Timer	TAYASCT501A	TAYASCT501A
Evaporator Defrost Control A/C	AY28X084	AY28X084
Electronic Head Pressure Control	BAYLOAM103	BAYLOAM103
Rubber Isolator Kit	BAYISLT101	BAYISLT101
Snow Leg - Base & Cap 4" High	BAYLEGS002	BAYLEGS002
Snow Leg - 4" Extension	BAYLEGS003	BAYLEGS003
Extreme Condition Mounting Kit	BAYECMT001	BAYECMT001
Seacoast Kit	BAYSEAC001	BAYSEAC001
Refrigerant Lineset ⑤	TAYREFLN4*	TAYREFLN4*

① Certified in accordance with the Air-Source Unitary Heat Pump equipment certification program which is based on ARI Standard 210/240.

② Calculated in accordance with N.E.C. Use only HACR circuit breakers or fuses.

③ Standard line lengths - 60', Standard lift - 60' Suction and Liquid line.

For Greater lengths and lifts refer to refrigerant piping software Pub# 32-3312-01. (*denotes latest revision)

④ For accessory description and usage, see page 5.

⑤ * = 15, 20, 25, 30, 40 and 50 foot lineset available.



Model Nomenclature

Outdoor Units

2 T W A 3 0 3 6 A 3 0 0 0 A A

- Refrigerant Type
 - 2 = R-22
 - 4 = R-410A
- TRANE
- Product Type
 - W = Split Heat Pump
 - T = Split Cooling
- Product Family
 - Z = Leadership – Two Stage
 - X = Leadership
 - R = Replacement/Retail
 - B = Basic
 - A = Light Commercial
- Family SEER
 - 0 = 10 3 = 13 6 = 16
 - 1 = 11 4 = 14 8 = 18
 - 2 = 12 5 = 15 9 = 19
- Split System Connections 1-6 Tons
 - 0 = Brazed
- Nominal Capacity in 000s of BTUs
- Major Design Modifications
- Power Supply
 - 1 = 200-230/1/60 or 208-230/1/60
 - 3 = 200-230/3/60
 - 4 = 460/3/60
- Secondary Function
- Minor Design Modifications
- Unit Parts Identifier

High Efficiency Furnaces

T U D 1 B 0 8 0 A 9 H 3 1 A A

- Furnace Configuration
 - TU = Upflow / Horizontal
 - TD = Downflow / Horizontal
- Type
 - D = 80% Premium
 - X = 90% Premium
- Number of Heating Stages
 - 1 = Single Stage
 - 2 = Two Stage
 - 3 = Three Stage
- Cabinet Width
 - A = 14.5" Cabinet Width
 - B = 17.5" Cabinet Width
 - C = 21.0" Cabinet Width
 - D = 24.5" Cabinet Width
- Heating Input
 - 080 = 80,000 BTUH
- Major Design Change
- Power Supply / Fuel
 - 9 = 115 Volts / Natural Gas
 - F = 115 Volts / Natural Gas with Integrated iFD Filter
- Airflow Capacity for Cooling
 - 36 = 3 Ton Standard PSC Motor
 - H3 = 3 Ton High Efficiency Motor
 - V3 = 3 Ton Variable Speed Motor
- Draft Inducer Speeds
 - 1 = Single Speed
 - 2 = Two Speed
 - V = Variable Speed
- Minor Design Change
- Service Digit – Not Orderable

Air Handlers – Residential

4 T E E 3 F 3 6 A 1 0 0 0 A A

- Refrigerant Type
 - 4 = R-410A
 - 2 = R-22
- Application
 - TE = Fully Convertible
 - TG = Semi Convertible
 - TF = Front Return
 - TV = Vertical
- Product Family
 - E = Leadership – Variable Speed
 - P = Leadership
 - C = Replacement/Retail
 - B = Basic
- Flow Control
 - 3 = Nonbleed TXV
 - 4 = FCCV*
- Feature Identifier
 - 0 = Standard Unit
 - F = Air-Tite™
- Nominal Capacity in 000s of BTUs
- Major Design Modifications
- Power Supply
 - 1 = Single Phase
- Electrical Connection
 - 0 = Pig Tails
 - B = Circuit Breaker
 - D = Pull Disconnect
- Future Option – Factory Installed Heater Nominal KW Value
- Minor Design Modifications
- Unit Parts Identifier

Heat Pump / Cooling Coils

2 T X C B 0 3 6 A C 3 H C A A

- Refrigerant Type
 - 2 = R-22
 - 4 = R-410A
- Product Family
 - T = Premium (Heat Pump or Convertible Coil)
 - C = Standard (Cooling Only)
- Coil Design
 - X = Direct Expansion Evaporator Coil
- Product Family
 - C = Cased A Coil
 - A = Uncased A Coil
 - F = Cased Horizontal Flat Coil
- Coil Width (Cased / Uncased)
 - A = 14.5" / 13.3" C = 21.0" / 19.8" H = 10.5"
 - B = 17.5" / 16.3" D = 24.5" / 23.3"
- Refrigerant Line Coupling
 - 0 = Brazed
- Nominal Capacity in 000s of BTUs
- Major Design Change
- Efficiency
 - C = Standard
 - S = Hi Efficiency
- Refrigerant Control
 - 3 = TXV – Non-Bleed
- Coil Circuitry
 - H = Heat Pump
 - C = Cooling Only
- Airflow Configuration
 - A = Upflow Only
 - U = Upflow / Downflow
 - H = Horizontal Only
 - C = Convertible – Upflow, Downflow, Left Airflow
 - M = Convertible – Upflow, Downflow, Left or Right Airflow
- Minor Design Change
- Unit Parts Identifier

NOTE: There will be a phase-in of new model numbers for new air handlers over next 2 years.

*Shipped with R-22 FCCV



System Ratings

2TWA3030A3/4

OUTDOOR UNIT WITH HEAT PUMP COILS

COIL	CFM	COOLING CAPACITY	SENSIBLE CAPACITY	KW	SEER	EER	HEATING CAPACITY	KW	HSPF	COP
2TXCB031AC3	1000	27800	21200	2.46	13.00	11.3	25400	2.19	7.7	3.4
2TXCB031AS3	1000	28400	21600	2.47	13.25	11.5	25600	2.21	7.6	3.4
2TXCB036AC3	1000	28000	20600	2.48	13.00	11.3	25600	2.21	7.7	3.4
2TXCB036AS3	1000	29000	22000	2.48	13.50	11.7	25800	2.22	7.6	3.4
2TXCB042AC3	1000	28400	21400	2.47	13.25	11.5	26000	2.21	7.8	3.5
2TXCC037AC3	1000	28600	21600	2.49	13.25	11.5	26000	2.21	7.8	3.5
2TXCC037AS3	1000	29200	22400	2.47	13.50	11.8	26000	2.24	7.7	3.4
2TXFH033AS3	1000	27400	21200	2.45	12.75	11.2	25200	2.17	7.7	3.4
2TXFH041AS3	1000	28600	21600	2.49	13.25	11.5	26000	2.21	7.8	3.5
TXA030C4+TAYTXVH-3	1000	27200	20400	2.45	12.50	11.1	25000	2.19	7.6	3.4
TXA031C4+TAYTXVH-3	1000	27600	21000	2.44	12.75	11.3	25400	2.19	7.7	3.4
TXA035C4+TAYTXVH-3	1000	27200	20400	2.45	12.50	11.1	25000	2.19	7.6	3.4
TXA036C4+TAYTXVH-3	1000	28200	21400	2.45	13.00	11.5	25800	2.22	7.7	3.4
TXC030C4+TAYTXVH-3	1000	27200	20400	2.45	12.50	11.1	25000	2.19	7.6	3.4
TXC030D4+TAYTXVH-3	1000	27200	20400	2.45	12.50	11.1	25000	2.19	7.6	3.4
TXC031C4+TAYTXVH-3	1000	27600	21000	2.44	12.75	11.3	25400	2.19	7.7	3.4
TXC031D4+TAYTXVH-3	1000	27400	20600	2.45	12.75	11.2	25200	2.17	7.7	3.4
TXC031S3	1000	28400	21600	2.47	13.25	11.5	26000	2.21	7.7	3.5
TXC035C4+TAYTXVH-3	1000	27200	20400	2.45	12.50	11.1	25000	2.19	7.6	3.4
TXC035D4+TAYTXVH-3	1000	27200	20400	2.45	12.50	11.1	25000	2.19	7.6	3.4
TXC036C4+TAYTXVH-3	1000	28200	21400	2.45	13.00	11.5	25800	2.22	7.7	3.4
TXC036D4+TAYTXVH-3	1000	27800	20800	2.46	13.00	11.3	25600	2.21	7.7	3.4
TXC036S3	1000	29000	22000	2.48	13.50	11.7	26200	2.23	7.8	3.5
TXC037S3	1000	29200	22400	2.47	13.50	11.8	26400	2.24	7.8	3.5
TXH033A4+TAYTXVH-3	1000	27400	21200	2.45	12.75	11.2	25200	2.17	7.7	3.4
TXH041A4+TAYTXVH-3	1000	28600	21600	2.49	13.25	11.5	26000	2.21	7.8	3.5

OUTDOOR UNIT WITH AIR HANDLERS

COIL	CFM	COOLING CAPACITY	SENSIBLE CAPACITY	KW	SEER	EER	HEATING CAPACITY	KW	HSPF	COP
2TEC3F30A1[T]	950	28000	20400	2.41	13.25	11.6	26000	2.21	7.9	3.5
2TEC3F36A1	1000	28400	22000	2.43	13.50	11.7	25800	2.19	7.8	3.5
2TFB3F30B1	1000	28000	21800	2.46	13.00	11.4	25600	2.21	7.7	3.4
2TFE3F25B1	820	28400	20600	2.27	14.25	12.5	25000	2.01	8.4	3.7
2TGB3F30A1	1000	28400	22200	2.47	13.00	11.5	25800	2.22	7.7	3.4
2TGB3F36A1	1000	28400	22200	2.47	13.25	11.5	25800	2.19	7.7	3.5
2TGB3F42A1	1000	28800	22600	2.59	12.75	11.1	26800	2.34	7.6	3.4
TWE024P13	1000	28200	21800	2.45	13.25	11.5	25600	2.17	7.8	3.5
TWE030C14+TAYTXVH-3	1000	27000	20400	2.45	12.50	11.0	25000	2.19	7.6	3.4
TWE030P13	945	27600	20600	2.40	13.25	11.5	25000	2.12	7.8	3.5
TWE031E13	1020	28200	21600	2.33	14.00	12.1	25000	2.06	7.9	3.6
TWE036C14+TAYTXVH-3	1000	28200	22000	2.47	13.00	11.4	25800	2.22	7.7	3.4
TWE036P13	1000	27800	21000	2.46	12.75	11.3	25600	2.21	7.7	3.4
TWE037E13	990	28800	21800	2.30	14.50	12.5	25000	2.01	8.1	3.7
TWE040E13	1000	30200	23200	2.42	14.50	12.5	26000	2.06	8.2	3.7
TWG036A14+TAYTXVH-3	1000	27400	20800	2.45	12.75	11.2	25200	2.17	7.7	3.4

OUTDOOR UNIT WITH FURNACE AND HEAT PUMP COILS

COIL	CFM	COOLING CAPACITY	SENSIBLE CAPACITY	KW	SEER	EER	HEATING CAPACITY	KW	HSPF	COP
2TXCB031AC3+*DD060R9V3	1000	28200	21400	2.29	14.25	12.3	24800	2.02	8.0	3.6
2TXCB031AC3+*DD080R9V3	950	28200	21200	2.29	14.25	12.3	24600	2.00	8.0	3.6



System Ratings

2TWA3030A3/4

OUTDOOR UNIT WITH FURNACE AND HEAT PUMP COILS

COIL	CFM	COOLING CAPACITY	SENSIBLE CAPACITY	KW	SEER	EER	HEATING CAPACITY	KW	HSPF	COP
2TXCB031AC3+*DY060R9V3	870	27800	20200	2.26	14.25	12.3	24400	1.99	8.0	3.6
2TXCB031AC3+*DY080R9V3	890	27800	20400	2.30	14.00	12.1	24400	2.01	8.0	3.6
2TXCB031AC3+*UD060R9V3	1040	28200	21800	2.35	13.75	12.0	25200	2.08	7.9	3.6
2TXCB031AC3+*UD080R9V3	1000	28200	21400	2.31	14.00	12.2	25000	2.06	8.0	3.6
2TXCB031AC3+*UD080R9V4	1000	28400	21600	2.27	14.50	12.5	24800	2.02	8.1	3.6
2TXCB031AC3+*UD100R9V3	1040	28200	21800	2.35	13.75	12.0	25200	2.08	7.9	3.6
2TXCB031AC3+*UY060R9V3	880	27800	20200	2.26	14.00	12.3	24400	1.99	8.0	3.6
2TXCB031AC3+*UY080R9V3	860	27800	20200	2.24	14.25	12.4	24200	1.97	8.1	3.6
2TXCB031AS3+*DD060R9V3	1000	29000	22200	2.32	14.50	12.5	25000	2.06	7.9	3.6
2TXCB031AS3+*DD080R9V3	950	28800	21600	2.30	14.50	12.5	24800	2.02	7.9	3.6
2TXCB031AS3+*DY060R9V3	870	28400	20800	2.27	14.50	12.5	24400	1.99	7.9	3.6
2TXCB031AS3+*DY080R9V3	890	28400	20800	2.31	14.25	12.3	24600	2.03	7.9	3.6
2TXCB031AS3+*UD060R9V3	1040	29000	22400	2.38	14.00	12.2	25400	2.13	7.8	3.5
2TXCB031AS3+*UD080R9V3	1000	29000	22200	2.34	14.25	12.4	25000	2.06	7.9	3.6
2TXCB031AS3+*UD080R9V4	1000	29000	22200	2.32	14.50	12.5	25000	2.03	8.0	3.6
2TXCB031AS3+*UD100R9V3	1050	29000	22600	2.38	14.00	12.2	25400	2.13	7.8	3.5
2TXCB031AS3+*UY060R9V3	880	28400	20800	2.27	14.25	12.5	24600	2.03	7.9	3.6
2TXCB031AS3+*UY080R9V3	860	28400	20600	2.27	14.50	12.5	24400	1.99	8.0	3.6
2TXCB036AC3+*DD060R9V3	1000	28400	21000	2.29	14.25	12.4	25000	2.03	8.0	3.6
2TXCB036AC3+*DD080R9V3	950	28400	20600	2.27	14.25	12.5	24800	2.02	8.1	3.6
2TXCB036AC3+*DY060R9V3	870	28000	19800	2.26	14.25	12.4	24400	1.99	8.1	3.6
2TXCB036AC3+*DY080R9V3	890	28000	20000	2.30	14.00	12.2	24600	2.03	8.0	3.6
2TXCB036AC3+*UD060R9V3	1040	28400	21200	2.35	14.00	12.1	25400	2.10	7.9	3.6
2TXCB036AC3+*UD080R9V3	1000	28400	21000	2.31	14.25	12.3	25000	2.03	8.0	3.6
2TXCB036AC3+*UD080R9V4	1000	28600	21200	2.29	14.50	12.5	25000	2.01	8.1	3.7
2TXCB036AC3+*UD100R9V3	1040	28600	21400	2.36	14.00	12.1	25400	2.10	7.9	3.6
2TXCB036AC3+*UY060R9V3	880	28000	19900	2.28	14.25	12.3	24400	1.99	8.0	3.6
2TXCB036AC3+*UY080R9V3	860	28000	19800	2.24	14.25	12.5	24200	1.94	8.1	3.7
2TXCB036AS3+*DD060R9V3	1000	29400	22400	2.35	14.50	12.5	25400	2.07	8.0	3.6
2TXCB036AS3+*DD080R9V3	950	29200	21800	2.34	14.50	12.5	25000	2.03	8.0	3.6
2TXCB036AS3+*DY060R9V3	870	28800	20800	2.30	14.50	12.5	24600	2.00	8.0	3.6
2TXCB036AS3+*DY080R9V3	890	28800	21000	2.30	14.50	12.5	24800	2.05	7.9	3.6
2TXCB036AS3+*UD060R9V3	1030	29400	22600	2.37	14.25	12.4	25600	2.11	7.9	3.6
2TXCB036AS3+*UD080R9V3	1000	29400	22400	2.35	14.50	12.5	25400	2.07	8.0	3.6
2TXCB036AS3+*UD080R9V4	1000	29600	22400	2.37	14.50	12.5	25200	2.02	8.0	3.7
2TXCB036AS3+*UD100R9V3	1030	29400	22600	2.35	14.50	12.5	25600	2.11	7.9	3.6
2TXCB036AS3+*UY060R9V3	880	29000	21000	2.32	14.50	12.5	24800	2.02	8.0	3.6
2TXCB036AS3+*UY080R9V3	860	28800	20800	2.30	14.50	12.5	24600	2.00	8.0	3.6
2TXCB042AC3+*DD060R9V3	1000	29000	21800	2.32	14.50	12.5	25400	2.07	8.1	3.6
2TXCB042AC3+*DD080R9V3	950	28800	21400	2.30	14.50	12.5	25200	2.05	8.1	3.6
2TXCB042AC3+*DY060R9V3	870	28400	20400	2.27	14.50	12.5	24800	2.02	8.1	3.6
2TXCB042AC3+*DY080R9V3	890	28400	20600	2.31	14.25	12.3	25000	2.03	8.0	3.6
2TXCB042AC3+*UD060R9V3	1040	29000	22200	2.38	14.00	12.2	25600	2.11	8.0	3.6
2TXCB042AC3+*UD080R9V3	1000	29000	21800	2.32	14.25	12.5	25400	2.07	8.0	3.6
2TXCB042AC3+*UD080R9V4	1000	29000	21800	2.32	14.50	12.5	25400	2.04	8.1	3.7
2TXCB042AC3+*UD100R9V3	1040	29000	22200	2.38	14.00	12.2	25600	2.11	8.0	3.6
2TXCB042AC3+*UY060R9V3	880	28400	20600	2.29	14.25	12.4	24800	2.02	8.0	3.6
2TXCB042AC3+*UY080R9V3	860	28400	20400	2.27	14.50	12.5	24600	1.97	8.1	3.7
2TXCC037AC3+*DY100R9V4	1060	29200	22600	2.35	14.25	12.4	25800	2.10	8.0	3.6
2TXCC037AC3+*UY100R9V4	1050	29200	22400	2.34	14.50	12.5	25600	2.05	8.1	3.7



System Ratings

2TWA3030A3/4

OUTDOOR UNIT WITH FURNACE AND HEAT PUMP COILS

COIL	CFM	COOLING CAPACITY	SENSIBLE CAPACITY	KW	SEER	EER	HEATING CAPACITY	KW	HSPF	COP
2TXCC037AS3+*DY100R9V4	1060	30000	23600	2.40	14.50	12.5	25800	2.10	7.9	3.6
2TXCC037AS3+*UY100R9V4	1050	30000	23400	2.40	14.50	12.5	25800	2.10	8.0	3.6
2TXFH033AS3+*DD060R9V3	990	28000	21600	2.28	14.25	12.3	24600	2.00	8.0	3.6
2TXFH033AS3+*DD080R9V3	960	28000	21400	2.26	14.25	12.4	24400	1.99	8.0	3.6
2TXFH033AS3+*DY060R9V3	860	27600	20200	2.24	14.25	12.3	24000	1.95	8.0	3.6
2TXFH033AS3+*DY080R9V3	880	27600	20400	2.26	14.00	12.2	24200	2.00	8.0	3.6
2TXFH033AS3+*UD060R9V3	1020	28000	21800	2.31	14.00	12.1	24800	2.05	7.9	3.6
2TXFH033AS3+*UD080R9V3	1010	28000	21800	2.28	14.00	12.3	24600	2.00	8.0	3.6
2TXFH033AS3+*UD080R9V4	1000	28200	21800	2.26	14.50	12.5	24600	1.97	8.1	3.7
2TXFH033AS3+*UD100R9V3	1020	28000	21800	2.31	14.00	12.1	24800	2.05	8.0	3.6
2TXFH033AS3+*UY060R9V3	870	27600	20400	2.24	14.00	12.3	24200	1.97	8.0	3.6
2TXFH033AS3+*UY080R9V3	850	27600	20200	2.23	14.25	12.4	24000	1.95	8.1	3.6
2TXFH033AS3+*UY100R9V4	1050	28200	22200	2.29	14.00	12.3	24800	2.02	8.0	3.6
2TXFH041AS3+*DD060R9V3	990	29000	21800	2.32	14.50	12.5	25400	2.04	8.1	3.7
2TXFH041AS3+*DD080R9V3	960	29000	21600	2.32	14.50	12.5	25200	2.02	8.1	3.7
2TXFH041AS3+*DY060R9V3	870	28600	20600	2.29	14.50	12.5	24800	1.99	8.1	3.7
2TXFH041AS3+*DY080R9V3	890	28600	20800	2.29	14.25	12.5	25000	2.03	8.1	3.6
2TXFH041AS3+*DY100R9V4	1060	29200	22600	2.35	14.25	12.4	25800	2.10	8.0	3.6
2TXFH041AS3+*UD060R9V3	1020	29000	22000	2.34	14.25	12.4	25600	2.08	8.0	3.6
2TXFH041AS3+*UD080R9V3	1010	29200	22200	2.34	14.50	12.5	25400	2.04	8.1	3.7
2TXFH041AS3+*UD080R9V4	1000	29200	22200	2.34	14.50	12.5	25200	2.00	8.2	3.7
2TXFH041AS3+*UD100R9V3	1020	29000	22000	2.32	14.25	12.5	25600	2.08	8.0	3.6
2TXFH041AS3+*UY060R9V3	870	28600	20600	2.29	14.50	12.5	24800	1.99	8.1	3.7
2TXFH041AS3+*UY080R9V3	850	28400	20400	2.27	14.50	12.5	24600	1.97	8.1	3.7
2TXFH041AS3+*UY100R9V4	1050	29200	22400	2.34	14.50	12.5	25600	2.05	8.1	3.7
TXC031S3+*DD060R9V3	1000	29000	22200	2.32	14.50	12.5	25400	2.07	8.1	3.6
TXC031S3+*DD080R9V3	950	28800	21600	2.30	14.50	12.5	25200	2.02	8.1	3.7
TXC031S3+*DY060R9V3	870	28400	20800	2.27	14.50	12.5	24800	1.99	8.1	3.7
TXC031S3+*DY080R9V3	890	28400	20800	2.31	14.25	12.3	25000	2.03	8.0	3.6
TXC031S3+*UD060R9V3	1040	29000	22400	2.38	14.00	12.2	25800	2.13	8.0	3.6
TXC031S3+*UD080R9V3	1000	29000	22200	2.34	14.25	12.4	25400	2.07	8.0	3.6
TXC031S3+*UD080R9V4	1000	29000	22200	2.32	14.50	12.5	25400	2.04	8.1	3.7
TXC031S3+*UD100R9V3	1050	29000	22600	2.38	14.00	12.2	25800	2.13	8.0	3.6
TXC031S3+*UY060R9V3	880	28400	20800	2.27	14.25	12.5	24800	2.02	8.1	3.6
TXC031S3+*UY080R9V3	860	28400	20600	2.27	14.50	12.5	24800	1.99	8.1	3.7
TXC036S3+*DD060R9V3	1000	29400	22400	2.35	14.50	12.5	25600	2.05	8.1	3.7
TXC036S3+*DD080R9V3	950	29200	21800	2.34	14.50	12.5	25400	2.04	8.1	3.7
TXC036S3+*DY060R9V3	870	28800	20800	2.30	14.50	12.5	25000	2.01	8.1	3.7
TXC036S3+*DY080R9V3	890	28800	21000	2.30	14.50	12.5	25200	2.05	8.1	3.6
TXC036S3+*UD060R9V3	1030	29400	22600	2.37	14.25	12.4	26000	2.12	8.0	3.6
TXC036S3+*UD080R9V3	1000	29400	22400	2.35	14.50	12.5	25800	2.07	8.1	3.7
TXC036S3+*UD080R9V4	1000	29600	22400	2.37	14.50	12.5	25600	2.03	8.2	3.7
TXC036S3+*UD100R9V3	1030	29400	22600	2.35	14.50	12.5	26000	2.12	8.0	3.6
TXC036S3+*UY060R9V3	880	29000	21000	2.32	14.50	12.5	25200	2.02	8.1	3.7
TXC036S3+*UY080R9V3	860	28800	20800	2.30	14.50	12.5	25000	1.98	8.2	3.7
TXC037S3+*DY100R9V4	1060	30000	23600	2.40	14.50	12.5	26200	2.10	8.1	3.7
TXC037S3+*UY100R9V4	1050	30000	23400	2.40	14.50	12.5	26000	2.09	8.2	3.7
TXH033A4+TAYTXVH-3+*DD060R9V3	990	28000	21600	2.26	14.25	12.4	24600	2.00	8.0	3.6
TXH033A4+TAYTXVH-3+*DD080R9V3	960	28000	21400	2.26	14.25	12.4	24400	1.99	8.0	3.6
TXH033A4+TAYTXVH-3+*DY060R9V3	860	27600	20200	2.24	14.25	12.3	24000	1.95	8.0	3.6



System Ratings

2TWA3030A3/4

OUTDOOR UNIT WITH FURNACE AND HEAT PUMP COILS

COIL	CFM	COOLING CAPACITY	SENSIBLE CAPACITY	KW	SEER	EER	HEATING CAPACITY	KW	HSPF	COP
TXH033A4+TAYTXVH-3+*UD060R9V3	1020	28000	21800	2.31	14.00	12.1	24800	2.05	7.9	3.6
TXH033A4+TAYTXVH-3+*UD080R9V3	1010	28000	21800	2.28	14.00	12.3	24800	2.02	8.0	3.6
TXH033A4+TAYTXVH-3+*UD080R9V4	1000	28200	21800	2.26	14.50	12.5	24600	1.97	8.1	3.7
TXH033A4+TAYTXVH-3+*UD100R9V3	1020	28000	21800	2.31	14.00	12.1	24800	2.05	8.0	3.6
TXH033A4+TAYTXVH-3+*UY060R9V3	870	27600	20400	2.24	14.00	12.3	24200	1.97	8.0	3.6
TXH041A4+TAYTXVH-3+*DD060R9V3	990	29200	22000	2.34	14.50	12.5	25400	2.04	8.1	3.7
TXH041A4+TAYTXVH-3+*DD080R9V3	960	29000	21600	2.32	14.50	12.5	25200	2.02	8.1	3.7
TXH041A4+TAYTXVH-3+*DY060R9V3	870	28600	20600	2.29	14.50	12.5	24800	1.99	8.1	3.7
TXH041A4+TAYTXVH-3+*DY080R9V3	890	28600	20800	2.29	14.25	12.5	25000	2.03	8.1	3.6
TXH041A4+TAYTXVH-3+*UD060R9V3	1020	29000	22200	2.34	14.25	12.4	25600	2.08	8.0	3.6
TXH041A4+TAYTXVH-3+*UD080R9V3	1010	29200	22200	2.34	14.50	12.5	25400	2.04	8.1	3.7
TXH041A4+TAYTXVH-3+*UD080R9V4	1000	29200	22200	2.34	14.50	12.5	25200	2.00	8.2	3.7
TXH041A4+TAYTXVH-3+*UD100R9V3	1020	29000	22200	2.32	14.25	12.5	25600	2.08	8.0	3.6
TXH041A4+TAYTXVH-3+*UY060R9V3	870	28600	20600	2.29	14.50	12.5	24800	1.99	8.1	3.7
TXH041A4+TAYTXVH-3+*UY080R9V3	850	28600	20600	2.29	14.50	12.5	24600	1.97	8.1	3.7

2TWA3036A3/4

OUTDOOR UNIT WITH HEAT PUMP COILS

COIL	CFM	COOLING CAPACITY	SENSIBLE CAPACITY	KW	SEER	EER	HEATING CAPACITY	KW	HSPF	COP
2TXCB036AC3	1200	33400	24600	2.96	13.00	11.3	30800	2.65	7.8	3.4
2TXCB036AS3	1200	34800	26400	2.97	13.50	11.7	31200	2.65	7.8	3.5
2TXCB042AC3	1200	34000	25600	2.96	13.25	11.5	31200	2.65	7.9	3.5
2TXCB048AC3	1200	34600	26200	2.96	13.50	11.7	31600	2.65	7.9	3.5
2TXCC037AC3	1200	34200	25800	2.95	13.50	11.6	31400	2.67	7.9	3.5
2TXCC037AS3	1200	35200	27000	2.98	13.75	11.8	31400	2.67	7.9	3.5
2TXCC043AC3	1200	34200	25800	2.97	13.25	11.5	31200	2.65	7.9	3.5
2TXCC054AS3	1200	34400	25600	2.97	13.50	11.6	31000	2.67	7.8	3.4
2TXFH033AS3	1200	32400	25200	2.95	12.75	11.0	30000	2.62	7.7	3.4
2TXFH041AS3	1200	34200	25800	2.95	13.50	11.6	31400	2.67	7.9	3.5
TXA036C4+TAYTXVH-3	1200	33800	25600	2.96	13.25	11.4	31000	2.63	7.8	3.5
TXA037C4+TAYTXVH-3	1200	33200	24800	2.94	13.00	11.3	30600	2.64	7.8	3.4
TXA042C4+TAYTXVH-3	1200	33600	25000	2.95	13.25	11.4	31000	2.63	7.8	3.5
TXA043C4+TAYTXVH-3	1200	33400	24800	2.96	13.00	11.3	30800	2.65	7.8	3.4
TXC031C4+TAYTXVH-3	1100	32400	23800	2.89	12.75	11.2	30000	2.59	7.8	3.4
TXC031D4+TAYTXVH-3	1100	32200	23600	2.90	12.75	11.1	29600	2.55	7.7	3.4
TXC036C4+TAYTXVH-3	1200	33800	25600	2.96	13.25	11.4	31000	2.63	7.8	3.5
TXC036D4+TAYTXVH-3	1200	33200	24800	2.94	13.00	11.3	30600	2.64	7.8	3.4
TXC036S3	1200	34800	26400	2.97	13.50	11.7	31600	2.65	7.9	3.5
TXC037C4+TAYTXVH-3	1200	33200	24800	2.94	13.00	11.3	30600	2.64	7.8	3.4
TXC037S3	1200	35200	27000	2.98	13.75	11.8	32000	2.68	8.0	3.5
TXC042C4+TAYTXVH-3	1200	33600	25000	2.95	13.25	11.4	31000	2.63	7.8	3.5
TXC043C4+TAYTXVH-3	1200	33400	24800	2.96	13.00	11.3	30800	2.65	7.8	3.4
TXC054S3	1200	34400	25600	2.97	13.50	11.6	31400	2.67	7.9	3.5
TXH033A4+TAYTXVH-3	1200	32400	25200	2.95	12.75	11.0	30000	2.62	7.7	3.4
TXH041A4+TAYTXVH-3	1200	34200	25800	2.95	13.50	11.6	31400	2.67	7.9	3.5



System Ratings

2TWA3036A3/4

OUTDOOR UNIT WITH AIR HANDLERS

COIL	CFM	COOLING CAPACITY	SENSIBLE CAPACITY	KW	SEER	EER	HEATING CAPACITY	KW	HSPF	COP
2TEC3F36A1[T]	1200	34000	24800	2.91	13.25	11.7	32200	2.70	7.9	3.5
2TEC3F42A1	1200	35200	27400	3.01	13.75	11.7	32000	2.68	7.9	3.5
2TEC3F48A1	1200	35400	27200	2.97	14.00	11.9	32200	2.70	8.0	3.5
2TFE3F25B1	1030	34200	25200	2.80	13.50	12.2	30600	2.53	8.4	3.6
2TGB3F36A1	1200	33800	26600	2.99	13.25	11.3	31000	2.63	7.8	3.5
2TGB3F42A1	1200	35000	27400	3.02	13.50	11.6	32200	2.73	7.9	3.5
2TGB3F48A1	1200	35200	27000	3.03	13.50	11.6	32400	2.75	7.9	3.5
TWE031E13	1220	33200	25400	2.89	13.25	11.5	30400	2.58	7.9	3.5
TWE036C14+TAYTXVH-3	1200	33600	26000	2.95	13.00	11.4	31000	2.63	7.8	3.5
TWE036P13	1200	33200	25000	2.96	12.75	11.2	30800	2.65	7.8	3.4
TWE037E13	1160	34000	25400	2.76	14.25	12.3	30200	2.46	8.1	3.6
TWE040E13	1200	36200	27800	2.90	14.50	12.5	31600	2.50	8.3	3.7
TWE042C14+TAYTXVH-3	1200	34200	26200	3.00	13.25	11.4	31400	2.67	7.8	3.5
TWE042P13	1200	34000	25400	2.98	13.25	11.4	31400	2.67	7.8	3.5
TWE049E13	1200	36200	27000	2.90	14.50	12.5	31400	2.45	8.4	3.8
TWG042A14+TAYTXVH-3	1200	32200	23800	2.93	12.50	11.0	29800	2.61	7.7	3.4

OUTDOOR UNIT WITH FURNACE AND HEAT PUMP COILS

COIL	CFM	COOLING CAPACITY	SENSIBLE CAPACITY	KW	SEER	EER	HEATING CAPACITY	KW	HSPF	COP
2TXCB036AC3+*DD060R9V3	1220	33800	25000	2.86	13.75	11.8	30600	2.56	8.0	3.5
2TXCB036AC3+*DD080R9V3	1130	33600	24400	2.80	13.75	12.0	30000	2.48	8.0	3.6
2TXCB036AC3+*DY060R9V3	1090	33400	24000	2.81	13.75	11.9	29800	2.46	8.0	3.6
2TXCB036AC3+*DY080R9V3	1100	33200	23800	2.84	13.50	11.7	30000	2.51	7.9	3.5
2TXCB036AC3+*UD060R9V3	1200	33600	24800	2.90	13.50	11.6	30600	2.56	7.9	3.5
2TXCB036AC3+*UD080R9V3	1200	33800	25000	2.89	13.50	11.7	30600	2.56	7.9	3.5
2TXCB036AC3+*UD080R9V4	1180	34000	25000	2.79	14.25	12.2	30200	2.46	8.1	3.6
2TXCB036AC3+*UD100R9V3	1250	33800	25200	2.96	13.25	11.4	31000	2.63	7.8	3.5
2TXCB036AC3+*UY060R9V3	1080	33400	23800	2.83	13.75	11.8	30000	2.48	8.0	3.6
2TXCB036AC3+*UY080R9V3	1030	33200	23400	2.77	14.00	12.0	29600	2.44	8.1	3.6
2TXCB036AS3+*DD060R9V3	1220	35200	26800	2.86	14.25	12.3	31000	2.56	8.0	3.6
2TXCB036AS3+*DD080R9V3	1130	34800	25800	2.83	14.50	12.3	30400	2.51	8.0	3.6
2TXCB036AS3+*DY060R9V3	1090	34600	25400	2.81	14.25	12.3	30200	2.49	8.0	3.6
2TXCB036AS3+*DY080R9V3	1100	34400	25200	2.87	14.00	12.0	30400	2.54	7.9	3.5
2TXCB036AS3+*UD060R9V3	1200	35000	26400	2.92	14.00	12.0	31000	2.60	7.9	3.5
2TXCB036AS3+*UD080R9V3	1200	35000	26400	2.89	14.00	12.1	31000	2.60	8.0	3.5
2TXCB036AS3+*UD080R9V4	1180	35200	26400	2.82	14.50	12.5	30600	2.49	8.1	3.6
2TXCB036AS3+*UD100R9V3	1250	35000	26800	2.97	13.75	11.8	31400	2.67	7.9	3.5
2TXCB036AS3+*UY060R9V3	1080	34600	25200	2.84	14.25	12.2	30200	2.49	8.0	3.6
2TXCB036AS3+*UY080R9V3	1030	34400	24800	2.77	14.50	12.4	29800	2.46	8.1	3.6
2TXCB042AC3+*DD060R9V3	1220	34600	26200	2.88	14.00	12.0	31000	2.56	8.0	3.6
2TXCB042AC3+*DD080R9V3	1130	34200	25200	2.80	14.25	12.2	30400	2.47	8.1	3.6
2TXCB042AC3+*DY060R9V3	1090	34000	24800	2.81	14.00	12.1	30400	2.51	8.1	3.6
2TXCB042AC3+*DY080R9V3	1100	33800	24800	2.84	13.75	11.9	30600	2.56	8.0	3.5
2TXCB042AC3+*UD060R9V3	1200	34200	25800	2.90	13.75	11.8	31000	2.60	8.0	3.5
2TXCB042AC3+*UD080R9V3	1200	34400	26000	2.89	13.75	11.9	31000	2.56	8.0	3.6
2TXCB042AC3+*UD080R9V4	1180	34600	26000	2.79	14.50	12.4	30600	2.49	8.2	3.6
2TXCB042AC3+*UD100R9V3	1250	34400	26200	2.97	13.50	11.6	31400	2.67	7.9	3.5
2TXCB042AC3+*UY060R9V3	1080	34000	24800	2.83	14.00	12.0	30400	2.51	8.0	3.6
2TXCB042AC3+*UY080R9V3	1030	33800	24200	2.77	14.25	12.2	30000	2.44	8.1	3.6
2TXCB048AC3+*DD060R9V3	1190	35200	26600	2.82	14.50	12.5	31000	2.49	8.2	3.7



System Ratings

2TWA3036A3/4

OUTDOOR UNIT WITH FURNACE AND HEAT PUMP COILS

COIL	CFM	COOLING CAPACITY	SENSIBLE CAPACITY	KW	SEER	EER	HEATING CAPACITY	KW	HSPF	COP
2TXCB048AC3+*DD080R9V3	1150	35000	26000	2.80	14.50	12.5	30800	2.47	8.2	3.7
2TXCB048AC3+*DY060R9V3	1050	34600	25000	2.77	14.50	12.5	30200	2.42	8.2	3.7
2TXCB048AC3+*DY080R9V3	1090	34600	25400	2.79	14.50	12.4	30600	2.49	8.1	3.6
2TXCB048AC3+*UD060R9V3	1200	35200	26600	2.82	14.50	12.5	31200	2.54	8.2	3.6
2TXCB048AC3+*UD080R9V3	1200	35200	26600	2.82	14.50	12.5	31000	2.49	8.2	3.7
2TXCB048AC3+*UD080R9V4	1170	35400	26600	2.83	14.50	12.5	30600	2.39	8.3	3.8
2TXCB048AC3+*UD100R9V3	1200	35200	26600	2.84	14.50	12.4	31200	2.54	8.1	3.6
2TXCB048AC3+*UY060R9V3	1040	34400	24800	2.75	14.50	12.5	30200	2.42	8.2	3.7
2TXCB048AC3+*UY080R9V3	1020	34400	24600	2.75	14.50	12.5	30000	2.38	8.3	3.7
2TXCC037AC3+*DY100R9V4	1050	34000	24600	2.76	14.25	12.3	30000	2.44	8.1	3.6
2TXCC037AC3+*UY100R9V4	1050	34200	24800	2.74	14.50	12.5	30000	2.41	8.2	3.7
2TXCC037AS3+*DY100R9V4	1050	34800	25400	2.78	14.50	12.5	30200	2.46	8.1	3.6
2TXCC037AS3+*UY100R9V4	1050	35000	25600	2.80	14.50	12.5	30200	2.46	8.2	3.6
2TXCC043AC3+*DY100R9V4	1050	34000	24600	2.76	14.25	12.3	30000	2.44	8.1	3.6
2TXCC043AC3+*UY100R9V4	1050	34000	24600	2.74	14.50	12.4	30000	2.41	8.2	3.7
2TXCC054AS3+*DY100R9V4	1050	34200	24400	2.78	14.25	12.3	29800	2.46	8.0	3.6
2TXCC054AS3+*UY100R9V4	1050	34200	24400	2.74	14.50	12.5	29600	2.41	8.1	3.6
2TXFH033AS3+*DD060R9V3	1210	32800	25600	2.80	13.50	11.7	29600	2.48	7.9	3.5
2TXFH033AS3+*DD080R9V3	1130	32600	24800	2.79	13.50	11.7	29200	2.44	8.0	3.5
2TXFH033AS3+*DY060R9V3	1070	32400	24200	2.77	13.50	11.7	29000	2.43	8.0	3.5
2TXFH033AS3+*DY080R9V3	1110	32400	24400	2.82	13.25	11.5	29400	2.50	7.9	3.5
2TXFH033AS3+*DY100R9V4	1050	32200	23800	2.75	13.50	11.7	28800	2.41	8.0	3.5
2TXFH033AS3+*UD060R9V3	1210	32600	25400	2.86	13.25	11.4	29800	2.53	7.9	3.5
2TXFH033AS3+*UD080R9V3	1200	32800	25400	2.85	13.25	11.5	29600	2.51	7.9	3.5
2TXFH033AS3+*UD080R9V4	1180	33000	25400	2.75	14.00	12.0	29200	2.41	8.1	3.6
2TXFH033AS3+*UY060R9V3	1070	32200	24000	2.78	13.50	11.6	29000	2.43	7.9	3.5
2TXFH033AS3+*UY080R9V3	1030	32200	23800	2.73	13.75	11.8	28800	2.38	8.0	3.6
2TXFH033AS3+*UY100R9V4	1050	32400	24000	2.72	13.75	11.9	28800	2.38	8.0	3.6
2TXFH041AS3+*DD060R9V3	1210	34800	26400	2.83	14.25	12.3	30800	2.51	8.1	3.6
2TXFH041AS3+*DD080R9V3	1140	34600	25600	2.79	14.50	12.4	30600	2.49	8.2	3.6
2TXFH041AS3+*DY060R9V3	1070	34200	24800	2.78	14.25	12.3	30200	2.46	8.1	3.6
2TXFH041AS3+*DY080R9V3	1110	34200	25200	2.83	14.00	12.1	30600	2.53	8.1	3.6
2TXFH041AS3+*DY100R9V4	1060	34200	24800	2.78	14.25	12.3	30200	2.46	8.2	3.6
2TXFH041AS3+*UD060R9V3	1210	34600	26200	2.86	14.00	12.1	31000	2.56	8.1	3.6
2TXFH041AS3+*UD080R9V3	1200	34600	26000	2.84	14.25	12.2	31000	2.52	8.1	3.6
2TXFH041AS3+*UD080R9V4	1180	34800	26000	2.78	14.50	12.5	30600	2.46	8.2	3.7
2TXFH041AS3+*UD100R9V3	1230	34600	26200	2.91	13.75	11.9	31200	2.58	8.0	3.6
2TXFH041AS3+*UY060R9V3	1060	34000	24600	2.79	14.25	12.2	30200	2.46	8.1	3.6
2TXFH041AS3+*UY080R9V3	1030	34000	24400	2.74	14.50	12.4	30000	2.41	8.2	3.7
2TXFH041AS3+*UY100R9V4	1050	34200	24600	2.74	14.50	12.5	30000	2.41	8.2	3.7
TXC036S3+*DD060R9V3	1220	35200	26800	2.86	14.25	12.3	31400	2.56	8.1	3.6
TXC036S3+*DD080R9V3	1130	34800	25800	2.83	14.50	12.3	31000	2.52	8.1	3.6
TXC036S3+*DY060R9V3	1090	34600	25400	2.81	14.25	12.3	30800	2.51	8.1	3.6
TXC036S3+*DY080R9V3	1100	34400	25200	2.87	14.00	12.0	31000	2.56	8.0	3.6
TXC036S3+*UD060R9V3	1200	35000	26400	2.92	14.00	12.0	31400	2.59	8.0	3.6
TXC036S3+*UD080R9V3	1200	35000	26400	2.89	14.00	12.1	31400	2.59	8.1	3.6
TXC036S3+*UD080R9V4	1180	35200	26400	2.82	14.50	12.5	31000	2.49	8.2	3.7
TXC036S3+*UD100R9V3	1250	35000	26800	2.97	13.75	11.8	31800	2.66	8.0	3.5
TXC036S3+*UY060R9V3	1080	34600	25200	2.84	14.25	12.2	30800	2.51	8.1	3.6
TXC036S3+*UY080R9V3	1030	34400	24800	2.77	14.50	12.4	30400	2.47	8.2	3.6
TXC037S3+*DY100R9V4	1050	34800	25400	2.78	14.50	12.5	30800	2.47	8.2	3.7



System Ratings

2TWA3036A3/4

OUTDOOR UNIT WITH FURNACE AND HEAT PUMP COILS

COIL	CFM	COOLING CAPACITY	SENSIBLE CAPACITY	KW	SEER	EER	HEATING CAPACITY	KW	HSPF	COP
TXC037S3+*UY100R9V4	1050	35000	25600	2.80	14.50	12.5	30600	2.42	8.3	3.7
TXC054S3+*DY100R9V4	1050	34200	24400	2.78	14.25	12.3	30200	2.46	8.1	3.6
TXC054S3+*UY100R9V4	1050	34200	24400	2.74	14.50	12.5	30000	2.41	8.2	3.7
TXH033A4+TAYTXVH-3+*DD060R9V3	1210	32800	25600	2.80	13.50	11.7	29600	2.48	7.9	3.5
TXH033A4+TAYTXVH-3+*DD080R9V3	1130	32600	24800	2.79	13.50	11.7	29200	2.44	8.0	3.5
TXH033A4+TAYTXVH-3+*DD100R9V5	1180	33000	25400	2.73	14.00	12.1	29200	2.41	8.1	3.6
TXH033A4+TAYTXVH-3+*DY060R9V3	1070	32400	24200	2.77	13.50	11.7	29000	2.43	8.0	3.5
TXH033A4+TAYTXVH-3+*DY080R9V3	1110	32400	24400	2.82	13.25	11.5	29400	2.50	7.9	3.5
TXH033A4+TAYTXVH-3+*DY100R9V4	1050	32400	24000	2.75	13.50	11.8	28800	2.41	8.0	3.5
TXH033A4+TAYTXVH-3+*UD060R9V3	1210	32800	25600	2.88	13.25	11.4	29800	2.53	7.9	3.5
TXH033A4+TAYTXVH-3+*UD080R9V3	1200	32800	25400	2.83	13.25	11.6	29600	2.48	7.9	3.5
TXH033A4+TAYTXVH-3+*UD080R9V4	1180	33000	25400	2.75	14.00	12.0	29400	2.43	8.1	3.6
TXH033A4+TAYTXVH-3+*UD100R9V5	1210	33000	25800	2.75	14.00	12.0	29400	2.43	8.0	3.6
TXH033A4+TAYTXVH-3+*UY060R9V3	1070	32400	24200	2.79	13.50	11.6	29000	2.43	7.9	3.5
TXH033A4+TAYTXVH-3+*UY080R9V3	1030	32200	23800	2.73	13.75	11.8	28800	2.38	8.0	3.6
TXH033A4+TAYTXVH-3+*UY100R9V4	1050	32400	24000	2.72	13.75	11.9	28800	2.38	8.0	3.6
TXH041A4+TAYTXVH-3+*DD060R9V3	1210	34800	26400	2.83	14.25	12.3	30800	2.51	8.1	3.6
TXH041A4+TAYTXVH-3+*DD080R9V3	1140	34600	25600	2.79	14.50	12.4	30600	2.49	8.2	3.6
TXH041A4+TAYTXVH-3+*DD100R9V5	1180	35000	26200	2.80	14.50	12.5	30600	2.42	8.3	3.7
TXH041A4+TAYTXVH-3+*DY060R9V3	1070	34200	24800	2.78	14.25	12.3	30200	2.46	8.2	3.6
TXH041A4+TAYTXVH-3+*DY080R9V3	1110	34200	25200	2.83	14.00	12.1	30600	2.53	8.1	3.6
TXH041A4+TAYTXVH-3+*DY100R9V4	1060	34200	24800	2.76	14.25	12.4	30200	2.46	8.2	3.6
TXH041A4+TAYTXVH-3+*UD060R9V3	1210	34600	26200	2.86	14.00	12.1	31000	2.56	8.1	3.6
TXH041A4+TAYTXVH-3+*UD080R9V3	1200	34600	26000	2.84	14.25	12.2	31000	2.52	8.1	3.6
TXH041A4+TAYTXVH-3+*UD080R9V4	1180	34800	26200	2.78	14.50	12.5	30600	2.46	8.3	3.7
TXH041A4+TAYTXVH-3+*UD100R9V3	1230	34600	26200	2.91	13.75	11.9	31200	2.58	8.0	3.6
TXH041A4+TAYTXVH-3+*UD100R9V5	1210	35000	26400	2.80	14.50	12.5	30600	2.46	8.2	3.7
TXH041A4+TAYTXVH-3+*UY060R9V3	1060	34000	24600	2.76	14.25	12.3	30200	2.46	8.1	3.6
TXH041A4+TAYTXVH-3+*UY080R9V3	1030	34000	24400	2.74	14.50	12.4	30000	2.41	8.2	3.7
TXH041A4+TAYTXVH-3+*UY100R9V4	1050	34200	24600	2.74	14.50	12.5	30000	2.41	8.2	3.7

2TWA3042A3/4

OUTDOOR UNIT WITH HEAT PUMP COILS

COIL	CFM	COOLING CAPACITY	SENSIBLE CAPACITY	KW	SEER	EER	HEATING CAPACITY	KW	HSPF	COP
2TXCB036AS3	1280	39000	29000	3.48	13.00	11.2	35200	3.03	7.9	3.4
2TXCB042AC3	1250	38000	27800	3.42	12.75	11.1	35200	3.03	7.9	3.4
2TXCB048AC3	1400	39000	29800	3.48	13.00	11.2	36400	3.09	8.0	3.5
2TXCC037AS3	1400	39500	30600	3.50	13.25	11.3	36200	3.12	7.9	3.4
2TXCC043AC3	1400	38500	29400	3.47	12.75	11.1	36000	3.10	7.9	3.4
2TXCC049AC3	1400	39000	29600	3.51	13.00	11.1	36200	3.12	7.9	3.4
2TXCC054AS3	1400	39000	29400	3.51	13.00	11.1	35600	3.11	7.8	3.4
2TXCC060AC3	1400	40000	30200	3.54	13.25	11.3	36800	3.13	8.0	3.5
2TXCD050AC3	1400	39000	29800	3.48	13.00	11.2	36400	3.09	8.0	3.5
2TXCD065AS3	1400	39500	29600	3.53	13.00	11.2	36000	3.10	7.9	3.4
2TXFH041AS3	1400	38500	29200	3.47	12.75	11.1	36000	3.10	7.9	3.4
2TXFH054AS3	1400	40000	30800	3.51	13.25	11.4	37000	3.14	8.0	3.5



System Ratings

2TWA3042A3/4

OUTDOOR UNIT WITH HEAT PUMP COILS

COIL	CFM	COOLING CAPACITY	SENSIBLE CAPACITY	KW	SEER	EER	HEATING CAPACITY	KW	HSPF	COP
2TXFH063AS3	1400	41500	32000	3.55	13.75	11.7	37800	3.16	8.1	3.5
TXA042C4+TAYTXVH-3	1260	38000	28600	3.49	12.50	10.9	35400	3.05	7.9	3.4
TXA048C4+TAYTXVH-3	1350	38500	29000	3.47	12.75	11.1	36000	3.10	7.9	3.4
TXC036S3	1280	39000	29000	3.48	13.00	11.2	35800	3.04	8.0	3.5
TXC037S3	1400	39500	30600	3.50	13.25	11.3	36800	3.13	8.0	3.5
TXC042C4+TAYTXVH-3	1260	37400	27200	3.40	12.75	11.0	34800	3.00	7.9	3.4
TXC048C4+TAYTXVH-3	1350	38500	28800	3.47	12.75	11.1	35600	3.07	7.9	3.4
TXC054S3	1400	39000	29400	3.51	13.00	11.1	36000	3.10	7.9	3.4
TXC065S3	1400	39500	29600	3.53	13.00	11.2	36400	3.09	8.0	3.5
TXH041A4+TAYTXVH-3	1400	38500	29200	3.47	12.75	11.1	36000	3.10	7.9	3.4
TXH054A4+TAYTXVH-3	1400	40000	30800	3.51	13.25	11.4	37000	3.14	8.0	3.5
TXH063P3	1400	41500	32000	3.55	13.75	11.7	37800	3.16	8.1	3.5

OUTDOOR UNIT WITH AIR HANDLERS

COIL	CFM	COOLING CAPACITY	SENSIBLE CAPACITY	KW	SEER	EER	HEATING CAPACITY	KW	HSPF	COP
2TEC3F42A1[T]	1400	40000	29200	3.48	13.25	11.5	36800	3.08	8.2	3.5
2TEC3F48A1	1400	40000	31000	3.48	13.50	11.5	37000	3.10	8.1	3.5
2TEP3F48B1	1400	40000	31000	3.48	13.50	11.5	37000	3.10	8.1	3.5
2TGB3F42A1	1400	39500	31200	3.53	13.00	11.2	37000	3.19	8.0	3.4
2TGB3F48A1	1400	40000	31000	3.60	13.00	11.1	37200	3.21	7.9	3.4
TWE037E13	1360	38500	29000	3.38	13.25	11.4	35000	2.93	8.0	3.5
TWE040E13	1400	40500	31600	3.38	14.00	12.0	36600	2.98	8.2	3.6
TWE042P13	1400	38500	29200	3.50	12.75	11.0	36000	3.10	7.9	3.4
TWE048P13	1400	41000	31600	3.47	13.75	11.8	37600	3.15	8.1	3.5
TWE049E13	1410	40500	30600	3.32	14.25	12.2	36400	2.96	8.3	3.6
TWE060P13	1400	41000	31600	3.50	13.75	11.7	37600	3.15	8.1	3.5
TWG048A14+TAYTXVH-3	1400	38500	29400	3.47	13.00	11.1	35800	3.09	7.9	3.4

OUTDOOR UNIT WITH FURNACE AND HEAT PUMP COILS

COIL	CFM	COOLING CAPACITY	SENSIBLE CAPACITY	KW	SEER	EER	HEATING CAPACITY	KW	HSPF	COP
2TXCB036AS3+*UD080R9V4	1400	39500	30200	3.38	13.50	11.7	35400	3.01	8.0	3.5
2TXCB042AC3+*UD080R9V4	1400	39000	29600	3.39	13.25	11.5	35600	2.98	8.1	3.5
2TXCB048AC3+*UD080R9V4	1390	40000	30600	3.28	14.25	12.2	35600	2.86	8.3	3.7
2TXCC037AS3+*DD100R9V5	1410	40500	31600	3.38	14.00	12.0	35800	3.00	8.1	3.5
2TXCC037AS3+*DY100R9V4	1230	39500	29200	3.35	13.75	11.8	35000	2.93	8.1	3.5
2TXCC037AS3+*UY100R9V4	1220	39500	29200	3.29	14.00	12.0	34800	2.87	8.1	3.6
2TXCC043AC3+*DY100R9V4	1230	38500	28200	3.35	13.25	11.5	34800	2.91	8.1	3.5
2TXCC043AC3+*UY100R9V4	1220	38500	28000	3.29	13.50	11.7	34600	2.86	8.1	3.6
2TXCC049AC3+*DY100R9V4	1230	38500	28000	3.29	13.50	11.7	35000	2.93	8.1	3.5
2TXCC049AC3+*UY100R9V4	1220	39000	28400	3.31	13.75	11.8	34800	2.87	8.2	3.6
2TXCC054AS3+*DD100R9V5	1420	39500	30000	3.38	13.75	11.7	35200	2.95	8.0	3.5
2TXCC054AS3+*DY100R9V4	1230	38500	27800	3.32	13.50	11.6	34400	2.92	8.0	3.5
2TXCC054AS3+*UD100R9V5	1470	39500	30200	3.41	13.50	11.6	35400	3.01	8.0	3.5
2TXCC054AS3+*UY100R9V4	1230	38500	27800	3.29	13.75	11.7	34400	2.88	8.0	3.5
2TXCC060AC3+*DY100R9V4	1230	39500	28600	3.35	13.75	11.8	35600	2.94	8.1	3.6
2TXCC060AC3+*UY100R9V4	1230	39500	28600	3.29	14.00	12.0	35400	2.92	8.2	3.6
2TXCD050AC3+*DD120R9V5	1410	40000	30600	3.28	14.25	12.2	35600	2.90	8.3	3.6
2TXCD050AC3+*DY120R9V5	1220	39000	28400	3.28	14.00	11.9	35000	2.89	8.2	3.6
2TXCD050AC3+*UD120R9V5	1390	40000	30600	3.31	14.25	12.1	35600	2.90	8.3	3.6
2TXCD050AC3+*UD140R9V5	1380	40000	30400	3.31	14.25	12.1	35600	2.90	8.3	3.6



System Ratings

2TWA3042A3/4

OUTDOOR UNIT WITH FURNACE AND HEAT PUMP COILS

COIL	CFM	COOLING CAPACITY	SENSIBLE CAPACITY	KW	SEER	EER	HEATING CAPACITY	KW	HSPF	COP
2TXCD050AC3+*UY120R9V5	1210	39000	28400	3.25	14.00	12.0	34800	2.83	8.2	3.6
2TXCD065AS3+*DD120R9V5	1420	40000	30000	3.31	14.25	12.1	35400	2.92	8.2	3.6
2TXCD065AS3+*DY120R9V5	1210	39000	27800	3.28	13.75	11.9	34600	2.90	8.1	3.5
2TXCD065AS3+*UD120R9V5	1400	40000	29800	3.31	14.00	12.1	35400	2.92	8.2	3.6
2TXCD065AS3+*UD140R9V5	1390	40000	29800	3.31	14.00	12.1	35200	2.91	8.2	3.6
2TXCD065AS3+*UY120R9V5	1210	39000	27800	3.25	14.00	12.0	34400	2.84	8.1	3.6
2TXFH041AS3+*DD100R9V5	1410	39500	30000	3.35	13.75	11.8	35400	2.92	8.2	3.6
2TXFH041AS3+*DD120R9V5	1410	39500	30000	3.29	14.00	12.0	35200	2.86	8.2	3.6
2TXFH041AS3+*DY100R9V4	1230	38500	28000	3.32	13.50	11.6	34800	2.91	8.1	3.5
2TXFH041AS3+*DY120R9V5	1220	38500	28000	3.26	13.75	11.8	34600	2.86	8.2	3.6
2TXFH041AS3+*UD080R9V4	1400	39500	30000	3.35	13.75	11.8	35400	2.92	8.2	3.6
2TXFH041AS3+*UD100R9V5	1460	39500	30400	3.35	13.75	11.8	35600	2.94	8.1	3.6
2TXFH041AS3+*UD120R9V5	1390	39500	30000	3.29	14.00	12.0	35200	2.86	8.2	3.6
2TXFH041AS3+*UD140R9V5	1380	39500	30000	3.29	14.00	12.0	35200	2.86	8.2	3.6
2TXFH041AS3+*UY100R9V4	1220	38500	28000	3.26	13.75	11.8	34600	2.86	8.2	3.6
2TXFH041AS3+*UY120R9V5	1210	38500	28000	3.24	13.75	11.9	34400	2.84	8.2	3.6
2TXFH054AS3+*DD100R9V5	1420	40500	31400	3.38	14.00	12.0	36600	2.98	8.2	3.6
2TXFH054AS3+*DD120R9V5	1430	41000	31800	3.36	14.25	12.2	36600	2.98	8.3	3.6
2TXFH054AS3+*DY100R9V4	1230	40000	29400	3.39	13.75	11.8	36000	2.97	8.2	3.6
2TXFH054AS3+*DY120R9V5	1210	40000	29200	3.33	14.00	12.0	35600	2.90	8.2	3.6
2TXFH054AS3+*UD080R9V4	1400	40500	31200	3.38	14.00	12.0	36600	2.98	8.2	3.6
2TXFH054AS3+*UD100R9V5	1470	41000	32200	3.45	14.00	11.9	37000	3.05	8.2	3.6
2TXFH054AS3+*UD120R9V5	1410	41000	31600	3.36	14.25	12.2	36600	2.98	8.3	3.6
2TXFH054AS3+*UD140R9V5	1390	40500	31000	3.32	14.25	12.2	36400	2.96	8.3	3.6
2TXFH054AS3+*UY100R9V4	1230	40000	29400	3.33	14.00	12.0	35800	2.91	8.2	3.6
2TXFH054AS3+*UY120R9V5	1210	40000	29200	3.31	14.25	12.1	35600	2.90	8.3	3.6
2TXFH063AS3+*DD100R9V5	1410	42000	32600	3.39	14.50	12.4	37400	3.00	8.4	3.7
2TXFH063AS3+*DD120R9V5	1410	42000	32600	3.36	14.50	12.5	37200	2.95	8.4	3.7
2TXFH063AS3+*DY100R9V4	1230	41000	30200	3.36	14.25	12.2	36600	2.98	8.3	3.6
2TXFH063AS3+*DY120R9V5	1220	41000	30200	3.31	14.50	12.4	36400	2.92	8.3	3.7
2TXFH063AS3+*UD080R9V4	1400	42000	32400	3.36	14.50	12.5	37200	2.99	8.4	3.7
2TXFH063AS3+*UD100R9V5	1460	42000	33000	3.39	14.50	12.4	37600	3.02	8.3	3.7
2TXFH063AS3+*UD120R9V5	1400	42000	32400	3.36	14.50	12.5	37200	2.95	8.4	3.7
2TXFH063AS3+*UD140R9V5	1380	42000	32200	3.36	14.50	12.5	37200	2.95	8.4	3.7
2TXFH063AS3+*UY100R9V4	1220	41000	30200	3.31	14.50	12.4	36400	2.92	8.4	3.7
2TXFH063AS3+*UY120R9V5	1210	41000	30000	3.28	14.50	12.5	36400	2.92	8.4	3.7
TXC036S3+*UD080R9V4	1400	39500	30200	3.38	13.50	11.7	36000	3.01	8.1	3.5
TXC037S3+*DD100R9V5	1410	40500	31600	3.38	14.00	12.0	36200	2.99	8.2	3.6
TXC037S3+*DY100R9V4	1230	39500	29200	3.35	13.75	11.8	35600	2.94	8.2	3.6
TXC037S3+*UY100R9V4	1220	39500	29200	3.29	14.00	12.0	35400	2.88	8.2	3.6
TXC054S3+*DD100R9V5	1420	39500	30000	3.38	13.75	11.7	35800	2.95	8.1	3.6
TXC054S3+*DY100R9V4	1230	38500	27800	3.32	13.50	11.6	35000	2.93	8.1	3.5
TXC054S3+*UD100R9V5	1470	39500	30200	3.41	13.50	11.6	36000	3.01	8.1	3.5
TXC054S3+*UY100R9V4	1230	38500	27800	3.29	13.75	11.7	34800	2.87	8.1	3.6
TXC065S3+*DD120R9V5	1420	40000	30000	3.31	14.25	12.1	35800	2.91	8.3	3.6
TXC065S3+*DY120R9V5	1210	39000	27800	3.28	13.75	11.9	35000	2.89	8.2	3.6
TXC065S3+*UD120R9V5	1400	40000	29800	3.31	14.00	12.1	35800	2.91	8.3	3.6
TXC065S3+*UD140R9V5	1390	40000	29800	3.31	14.00	12.1	35800	2.91	8.3	3.6
TXC065S3+*UY120R9V5	1210	39000	27800	3.25	14.00	12.0	35000	2.85	8.2	3.6
TXH041A4+TAYTXVH-3+*DD080R9V3	1340	39000	29200	3.39	13.25	11.5	35400	2.96	8.1	3.5



System Ratings

2TWA3042A3/4

OUTDOOR UNIT WITH FURNACE AND HEAT PUMP COILS

COIL	CFM	COOLING CAPACITY	SENSIBLE CAPACITY	KW	SEER	EER	HEATING CAPACITY	KW	HSPF	COP
TXH041A4+TAYTXVH-3+*DD100R9V5	1410	39500	30200	3.35	13.75	11.8	35400	2.92	8.2	3.6
TXH041A4+TAYTXVH-3+*DD120R9V5	1410	39500	30200	3.29	14.00	12.0	35400	2.88	8.2	3.6
TXH041A4+TAYTXVH-3+*DY120R9V5	1220	38500	28000	3.26	13.75	11.8	34600	2.86	8.2	3.6
TXH041A4+TAYTXVH-3+*UD080R9V3	1420	39000	29800	3.48	13.00	11.2	36000	3.06	8.0	3.5
TXH041A4+TAYTXVH-3+*UD080R9V4	1400	39500	30000	3.32	13.75	11.9	35400	2.92	8.2	3.6
TXH041A4+TAYTXVH-3+*UD100R9V5	1460	39500	30400	3.35	13.75	11.8	35800	2.95	8.2	3.6
TXH041A4+TAYTXVH-3+*UD120R9V5	1390	39500	30000	3.29	14.00	12.0	35200	2.86	8.2	3.6
TXH041A4+TAYTXVH-3+*UD140R9V5	1380	39500	30000	3.29	14.00	12.0	35200	2.86	8.2	3.6
TXH041A4+TAYTXVH-3+*UY080R9V3	1200	38500	27800	3.29	13.50	11.7	34600	2.90	8.1	3.5
TXH041A4+TAYTXVH-3+*UY100R9V4	1220	38500	28000	3.26	13.75	11.8	34600	2.86	8.2	3.6
TXH041A4+TAYTXVH-3+*UY120R9V5	1210	38500	28000	3.24	13.75	11.9	34400	2.84	8.2	3.6
TXH054A4+TAYTXVH-3+*DD080R9V3	1340	40000	30400	3.42	13.75	11.7	36600	3.02	8.1	3.6
TXH054A4+TAYTXVH-3+*DD100R9V5	1420	40500	31400	3.38	14.00	12.0	36800	3.00	8.2	3.6
TXH054A4+TAYTXVH-3+*DD120R9V5	1430	41000	31800	3.36	14.25	12.2	36600	2.98	8.3	3.6
TXH054A4+TAYTXVH-3+*DY120R9V5	1210	40000	29200	3.33	14.00	12.0	35800	2.91	8.2	3.6
TXH054A4+TAYTXVH-3+*UD080R9V3	1420	40500	31400	3.55	13.25	11.4	37200	3.16	8.0	3.5
TXH054A4+TAYTXVH-3+*UD080R9V4	1400	40500	31200	3.38	14.00	12.0	36600	2.98	8.2	3.6
TXH054A4+TAYTXVH-3+*UD100R9V5	1470	41000	32200	3.45	14.00	11.9	37000	3.05	8.2	3.6
TXH054A4+TAYTXVH-3+*UD120R9V5	1410	41000	31600	3.36	14.25	12.2	36600	2.98	8.3	3.6
TXH054A4+TAYTXVH-3+*UD140R9V5	1390	40500	31200	3.32	14.25	12.2	36400	2.96	8.3	3.6
TXH054A4+TAYTXVH-3+*UY080R9V3	1220	40000	29400	3.36	13.75	11.9	35800	2.95	8.2	3.6
TXH054A4+TAYTXVH-3+*UY100R9V4	1230	40000	29400	3.33	14.00	12.0	35800	2.91	8.2	3.6
TXH054A4+TAYTXVH-3+*UY120R9V5	1210	40000	29200	3.31	14.25	12.1	35600	2.90	8.3	3.6
TXH063P3+*DD080R9V3	1340	41500	31600	3.43	14.25	12.1	37400	3.04	8.3	3.6
TXH063P3+*DD100R9V5	1410	42000	32600	3.39	14.50	12.4	37400	3.00	8.4	3.7
TXH063P3+*DD120R9V5	1410	42000	32600	3.36	14.50	12.5	37200	2.95	8.4	3.7
TXH063P3+*DY100R9V4	1230	41000	30200	3.36	14.25	12.2	36600	2.98	8.3	3.6
TXH063P3+*DY120R9V5	1220	41000	30200	3.31	14.50	12.4	36400	2.92	8.4	3.7
TXH063P3+*UD080R9V3	1420	41500	32200	3.52	13.75	11.8	38000	3.14	8.1	3.6
TXH063P3+*UD100R9V5	1460	42000	33000	3.39	14.50	12.4	37600	3.02	8.3	3.7
TXH063P3+*UD120R9V5	1400	42000	32400	3.36	14.50	12.5	37200	2.95	8.4	3.7
TXH063P3+*UD140R9V5	1380	42000	32200	3.36	14.50	12.5	37200	2.95	8.4	3.7
TXH063P3+*UY080R9V3	1210	41000	30000	3.33	14.25	12.3	36600	2.98	8.3	3.6
TXH063P3+*UY100R9V4	1220	41000	30200	3.31	14.50	12.4	36400	2.92	8.4	3.7
TXH063P3+*UY120R9V5	1210	41000	30000	3.28	14.50	12.5	36400	2.92	8.4	3.7

2TWA3048A3/4

OUTDOOR UNIT WITH HEAT PUMP COILS

COIL	CFM	COOLING CAPACITY	SENSIBLE CAPACITY	KW	SEER	EER	HEATING CAPACITY	KW	HSPF	COP
2TXCB048AC3	1600	45000	34400	4.09	13.00	11.0	42000	3.57	8.1	3.5
2TXCC049AC3	1600	44500	33800	4.05	12.75	11.0	41500	3.58	8.1	3.4
2TXCC054AS3	1600	44500	33600	4.08	12.75	10.9	41000	3.59	8.0	3.4
2TXCC060AC3	1600	45500	34200	4.06	13.00	11.2	42500	3.61	8.1	3.5
2TXCD050AC3	1600	45000	34400	4.09	13.00	11.0	42000	3.57	8.1	3.5
2TXCD061AC3	1600	45500	34200	4.06	13.00	11.2	42500	3.61	8.1	3.5
2TXCD065AS3	1600	45500	33800	4.10	13.00	11.1	41500	3.58	8.0	3.4



System Ratings

2TWA3048A3/4

OUTDOOR UNIT WITH HEAT PUMP COILS

COIL	CFM	COOLING CAPACITY	SENSIBLE CAPACITY	KW	SEER	EER	HEATING CAPACITY	KW	HSPF	COP
2TXFH054AS3	1600	46000	35200	4.07	13.25	11.3	43000	3.65	8.2	3.5
2TXFH063AS3	1600	47500	36600	4.09	13.50	11.6	44000	3.68	8.3	3.5
TXA049C4+TAYTXVH-3	1600	43500	32400	4.03	12.50	10.8	41000	3.53	8.0	3.4
TXA050C4+TAYTXVH-3	1600	44000	33000	4.04	12.75	10.9	41500	3.58	8.0	3.4
TXC049C4+TAYTXVH-3	1600	43500	32400	4.03	12.50	10.8	41000	3.53	8.0	3.4
TXC050C4+TAYTXVH-3	1600	44000	33000	4.04	12.75	10.9	41500	3.58	8.0	3.4
TXC054S3	1600	44500	33600	4.08	12.75	10.9	41500	3.58	8.1	3.4
TXC065S3	1600	45500	33800	4.10	13.00	11.1	42500	3.61	8.1	3.5
TXH054A4+TAYTXVH-3	1600	46000	35200	4.07	13.25	11.3	43000	3.65	8.2	3.5

OUTDOOR UNIT WITH AIR HANDLERS

COIL	CFM	COOLING CAPACITY	SENSIBLE CAPACITY	KW	SEER	EER	HEATING CAPACITY	KW	HSPF	COP
2TEC3F48A1[T]	1600	46000	33200	4.04	13.00	11.4	42500	3.56	8.8	3.5
2TEP3F48B1	1600	46000	35400	4.07	13.25	11.3	43000	3.60	8.2	3.5
2TEP3F63B1	1600	45500	34400	4.14	13.00	11.0	42500	3.61	8.1	3.5
2TGB3F48A1	1600	46000	35400	4.14	13.00	11.1	43000	3.65	8.1	3.5
TWE042P13	1600	44000	33200	4.15	12.25	10.6	41500	3.63	7.9	3.4
TWE048C14+TAYTXVH-3	1600	44500	34000	4.12	12.75	10.8	42000	3.62	8.0	3.4
TWE048P13	1600	47000	36200	4.16	13.25	11.3	43500	3.69	8.2	3.5
TWE049E13	1600	46500	34800	4.01	13.75	11.6	42500	3.51	8.3	3.6
TWE060P13	1600	47000	36200	4.16	13.25	11.3	43500	3.69	8.2	3.5
TWE065E13	1385	45500	32400	3.79	14.00	12.0	40000	3.32	8.4	3.5
TWG048A14+TAYTXVH-3	1600	44000	33400	4.11	12.50	10.7	41500	3.63	8.0	3.4

OUTDOOR UNIT WITH FURNACE AND HEAT PUMP COILS

COIL	CFM	COOLING CAPACITY	SENSIBLE CAPACITY	KW	SEER	EER	HEATING CAPACITY	KW	HSPF	COP
2TXCB048AC3+*UD080R9V4	1590	45500	34600	3.89	13.75	11.7	41500	3.43	8.3	3.6
2TXCC049AC3+*DY100R9V4	1450	44000	32400	3.96	13.00	11.1	41000	3.48	8.1	3.5
2TXCC049AC3+*UY100R9V4	1430	44000	32200	3.93	13.25	11.2	40500	3.44	8.2	3.5
2TXCC054AS3+*DD100R9V5	1620	44500	33600	3.97	13.00	11.2	41000	3.53	8.0	3.4
2TXCC054AS3+*DY100R9V4	1450	44000	32000	4.00	12.75	11.0	40000	3.45	8.0	3.4
2TXCC054AS3+*UD100R9V5	1670	45000	34400	4.05	13.00	11.1	41000	3.53	8.0	3.4
2TXCC054AS3+*UY100R9V4	1430	44000	32000	3.93	13.00	11.2	40000	3.45	8.0	3.4
2TXCC060AC3+*DY100R9V4	1450	45000	32800	3.98	13.25	11.3	41500	3.52	8.2	3.5
2TXCC060AC3+*UY100R9V4	1430	45000	32600	3.95	13.25	11.4	41500	3.47	8.2	3.5
2TXCD050AC3+*DD120R9V5	1630	45500	35000	3.92	13.75	11.6	41500	3.43	8.3	3.6
2TXCD050AC3+*DY120R9V5	1430	44500	32800	3.90	13.25	11.4	41000	3.43	8.2	3.5
2TXCD050AC3+*UD120R9V5	1630	45500	35000	3.96	13.50	11.5	41500	3.47	8.3	3.5
2TXCD050AC3+*UD140R9V5	1590	45500	34600	3.96	13.50	11.5	41500	3.43	8.3	3.6
2TXCD050AC3+*UY120R9V5	1420	44500	32600	3.87	13.50	11.5	40500	3.39	8.2	3.5
2TXCD061AC3+*DD120R9V5	1630	46500	35200	3.94	13.75	11.8	42000	3.47	8.4	3.6
2TXCD061AC3+*DY120R9V5	1430	45000	32600	3.88	13.50	11.6	41500	3.43	8.3	3.6
2TXCD061AC3+*UD120R9V5	1630	46000	34800	3.93	13.75	11.7	42000	3.47	8.3	3.6
2TXCD061AC3+*UD140R9V5	1590	46000	34600	3.93	13.75	11.7	42000	3.47	8.3	3.6
2TXCD061AC3+*UY120R9V5	1420	45500	32800	3.89	13.75	11.7	41000	3.38	8.3	3.6
2TXCD065AS3+*DD120R9V5	1630	46000	34400	3.93	13.75	11.7	41000	3.43	8.2	3.5
2TXCD065AS3+*DY120R9V5	1430	45000	32200	3.91	13.50	11.5	40500	3.44	8.2	3.5
2TXCD065AS3+*UD120R9V5	1630	46000	34400	3.97	13.50	11.6	41500	3.47	8.2	3.5
2TXCD065AS3+*UD140R9V5	1590	45500	33800	3.92	13.75	11.6	41000	3.43	8.2	3.5
2TXCD065AS3+*UY120R9V5	1420	45000	32200	3.88	13.50	11.6	40500	3.39	8.2	3.5



System Ratings

2TWA3048A3/4

OUTDOOR UNIT WITH FURNACE AND HEAT PUMP COILS

COIL	CFM	COOLING CAPACITY	SENSIBLE CAPACITY	KW	SEER	EER	HEATING CAPACITY	KW	HSPF	COP
2TXFH054AS3+*DD100R9V5	1620	46500	35800	4.04	13.50	11.5	43000	3.60	8.3	3.5
2TXFH054AS3+*DD120R9V5	1630	46500	35800	3.94	13.75	11.8	42500	3.51	8.3	3.6
2TXFH054AS3+*DY100R9V4	1450	45500	33800	3.99	13.25	11.4	42000	3.52	8.2	3.5
2TXFH054AS3+*DY120R9V5	1430	45500	33600	3.92	13.50	11.6	42000	3.47	8.3	3.6
2TXFH054AS3+*UD080R9V4	1590	46500	35600	4.04	13.50	11.5	42500	3.56	8.3	3.5
2TXFH054AS3+*UD100R9V5	1670	46500	36200	4.08	13.50	11.4	43000	3.60	8.2	3.5
2TXFH054AS3+*UD120R9V5	1630	46500	35800	3.97	13.75	11.7	42500	3.51	8.3	3.6
2TXFH054AS3+*UD140R9V5	1590	46500	35600	3.97	13.75	11.7	42500	3.51	8.3	3.6
2TXFH054AS3+*UY100R9V4	1430	45500	33600	3.96	13.50	11.5	42000	3.52	8.3	3.5
2TXFH054AS3+*UY120R9V5	1430	46000	34000	3.93	13.75	11.7	41500	3.43	8.3	3.6
2TXFH063AS3+*DD100R9V5	1620	48000	37200	4.03	14.00	11.9	43500	3.54	8.4	3.6
2TXFH063AS3+*DD120R9V5	1630	48000	37200	3.93	14.50	12.2	43500	3.49	8.5	3.7
2TXFH063AS3+*DY100R9V4	1450	47000	35000	4.02	13.75	11.7	43000	3.55	8.3	3.6
2TXFH063AS3+*DY120R9V5	1420	47000	34600	3.92	14.00	12.0	42500	3.46	8.4	3.6
2TXFH063AS3+*UD080R9V4	1590	48000	37000	4.00	14.00	12.0	43500	3.54	8.4	3.6
2TXFH063AS3+*UD100R9V5	1670	48000	37600	4.07	14.00	11.8	44000	3.63	8.4	3.6
2TXFH063AS3+*UD120R9V5	1620	48000	37200	3.97	14.25	12.1	43500	3.54	8.5	3.6
2TXFH063AS3+*UD140R9V5	1590	48000	37000	3.97	14.25	12.1	43500	3.54	8.5	3.6
2TXFH063AS3+*UY100R9V4	1420	47000	34600	3.95	14.00	11.9	42500	3.46	8.4	3.6
2TXFH063AS3+*UY120R9V5	1420	47000	34600	3.88	14.25	12.1	42500	3.46	8.5	3.6
TXC054S3+*DD100R9V5	1620	44500	33600	3.97	13.00	11.2	41500	3.52	8.1	3.5
TXC054S3+*DY100R9V4	1450	44000	32000	4.00	12.75	11.0	41000	3.48	8.1	3.5
TXC054S3+*UD100R9V5	1670	45000	34400	4.05	13.00	11.1	42000	3.57	8.1	3.5
TXC054S3+*UY100R9V4	1430	44000	32000	3.93	13.00	11.2	40500	3.44	8.1	3.5
TXC065S3+*DD120R9V5	1630	46000	34400	3.93	13.75	11.7	42000	3.47	8.3	3.6
TXC065S3+*DY120R9V5	1430	45000	32200	3.91	13.50	11.5	41000	3.43	8.3	3.5
TXC065S3+*UD120R9V5	1630	46000	34400	3.97	13.50	11.6	42000	3.47	8.3	3.6
TXC065S3+*UD140R9V5	1590	45500	33800	3.92	13.75	11.6	41500	3.43	8.3	3.6
TXC065S3+*UY120R9V5	1420	45000	32200	3.88	13.50	11.6	41000	3.38	8.3	3.6
TXH054A4+TAYTXVH-3+*DD100R9V5	1620	46500	35800	4.04	13.50	11.5	43000	3.60	8.3	3.5
TXH054A4+TAYTXVH-3+*DD120R9V5	1630	46500	36000	3.94	13.75	11.8	42500	3.51	8.4	3.6
TXH054A4+TAYTXVH-3+*DY100R9V4	1450	45500	33800	3.99	13.25	11.4	42000	3.52	8.2	3.5
TXH054A4+TAYTXVH-3+*DY120R9V5	1430	46000	34000	3.97	13.50	11.6	42000	3.47	8.3	3.6
TXH054A4+TAYTXVH-3+*UD080R9V4	1590	46500	35600	4.04	13.50	11.5	42500	3.56	8.3	3.5
TXH054A4+TAYTXVH-3+*UD100R9V5	1670	46500	36200	4.08	13.50	11.4	43000	3.60	8.2	3.5
TXH054A4+TAYTXVH-3+*UD120R9V5	1630	46500	36000	3.97	13.75	11.7	42500	3.51	8.3	3.6
TXH054A4+TAYTXVH-3+*UD140R9V5	1590	46500	35600	3.97	13.75	11.7	42500	3.51	8.3	3.6
TXH054A4+TAYTXVH-3+*UY100R9V4	1430	45500	33600	3.96	13.50	11.5	42000	3.52	8.3	3.5
TXH054A4+TAYTXVH-3+*UY120R9V5	1430	46000	34000	3.93	13.75	11.7	42000	3.47	8.3	3.6
TXH063P3+*DD100R9V5	1620	48000	37200	4.03	14.00	11.9	43500	3.54	8.4	3.6
TXH063P3+*DD120R9V5	1630	48000	37200	3.93	14.50	12.2	43500	3.49	8.5	3.7
TXH063P3+*DY100R9V4	1450	47000	35000	4.02	13.75	11.7	43000	3.55	8.3	3.6
TXH063P3+*DY120R9V5	1420	47000	34800	3.92	14.00	12.0	42500	3.46	8.4	3.6
TXH063P3+*UD100R9V5	1670	48000	37600	4.07	14.00	11.8	44000	3.63	8.4	3.6
TXH063P3+*UD120R9V5	1620	48000	37200	3.97	14.25	12.1	43500	3.54	8.5	3.6
TXH063P3+*UD140R9V5	1590	48000	37000	3.97	14.25	12.1	43500	3.54	8.5	3.6
TXH063P3+*UY100R9V4	1420	47000	34800	3.95	14.00	11.9	42500	3.46	8.4	3.6
TXH063P3+*UY120R9V5	1420	47000	34800	3.88	14.25	12.1	42500	3.46	8.5	3.6



System Ratings

2TWA3060A3/4

OUTDOOR UNIT WITH HEAT PUMP COILS

COIL	CFM	COOLING CAPACITY	SENSIBLE CAPACITY	KW	SEER	EER	HEATING CAPACITY	KW	HSPF	COP
2TXCC060AC3	1670	56000	39500	5.14	12.75	10.9	54000	4.52	8.7	3.5
2TXCD061AC3	1850	57000	41500	5.23	12.75	10.9	55000	4.60	8.6	3.5
2TXCD065AS3	1900	57500	41500	5.18	13.00	11.1	54500	4.56	8.5	3.5
2TXFH054AS3	1660	57000	41000	5.14	13.00	11.1	54500	4.50	8.8	3.6
2TXFH063AS3	2000	59500	46000	5.27	13.25	11.3	57500	4.75	8.8	3.6
TXC065S3	1900	57500	41500	5.18	13.00	11.1	55500	4.58	8.7	3.6
TXH063P3	2000	59500	46000	5.27	13.25	11.3	57500	4.75	8.8	3.6

OUTDOOR UNIT WITH AIR HANDLERS

COIL	CFM	COOLING CAPACITY	SENSIBLE CAPACITY	KW	SEER	EER	HEATING CAPACITY	KW	HSPF	COP
2TEC3F60A1[T]	1865	56000	40000	5.05	13.00	11.1	53000	4.50	8.5	3.5
2TEP3F48B1	1750	57000	41500	5.18	12.75	11.0	55000	4.60	8.6	3.5
2TEP3F63B1	2000	56500	42500	5.43	12.25	10.4	56000	4.83	8.4	3.4
TWE049E13	1815	58000	42000	5.04	13.50	11.5	55000	4.48	8.9	3.6
TWE060P13	1750	58000	42500	5.23	13.00	11.1	56000	4.62	8.7	3.6
TWE063P13	2000	57500	43500	5.58	12.00	10.3	57500	4.96	8.4	3.4
TWE065E13	1815	57500	41500	5.04	13.50	11.4	54500	4.44	9.0	3.6

OUTDOOR UNIT WITH FURNACE AND HEAT PUMP COILS

COIL	CFM	COOLING CAPACITY	SENSIBLE CAPACITY	KW	SEER	EER	HEATING CAPACITY	KW	HSPF	COP
2TXCD061AC3+*DD120R9V5	2020	57500	43000	5.32	12.75	10.8	56000	4.76	8.6	3.5
2TXCD061AC3+*DY120R9V5	1730	56000	40000	5.23	12.50	10.7	54500	4.63	8.6	3.5
2TXCD061AC3+*UD120R9V5	1960	57000	42500	5.33	12.50	10.7	55500	4.71	8.5	3.5
2TXCD061AC3+*UD140R9V5	1960	57000	42500	5.33	12.50	10.7	55500	4.71	8.6	3.5
2TXCD061AC3+*UY120R9V5	1790	56500	40500	5.23	12.75	10.8	54500	4.63	8.7	3.5
2TXCD065AS3+*DD120R9V5	2020	57000	42000	5.28	12.75	10.8	55000	4.74	8.4	3.4
2TXCD065AS3+*DY120R9V5	1730	56000	39500	5.23	12.50	10.7	53500	4.61	8.4	3.4
2TXCD065AS3+*UD120R9V5	1970	57000	41500	5.33	12.50	10.7	55000	4.74	8.3	3.4
2TXCD065AS3+*UD140R9V5	1960	57000	41500	5.33	12.50	10.7	54500	4.70	8.3	3.4
2TXCD065AS3+*UY120R9V5	1790	56000	40000	5.19	12.75	10.8	54000	4.65	8.4	3.4
2TXFH054AS3+*DD100R9V5	1870	57500	43000	5.32	12.75	10.8	56000	4.69	8.6	3.5
2TXFH054AS3+*DD120R9V5	2000	58000	44000	5.32	12.75	10.9	56500	4.73	8.6	3.5
2TXFH054AS3+*DY120R9V5	1690	56500	40500	5.23	12.75	10.8	55000	4.60	8.7	3.5
2TXFH054AS3+*UD100R9V5	1890	57000	42500	5.43	12.25	10.5	56500	4.87	8.5	3.4
2TXFH054AS3+*UD120R9V5	1910	57500	43000	5.32	12.75	10.8	56000	4.76	8.6	3.5
2TXFH054AS3+*UD140R9V5	1920	57500	43000	5.32	12.75	10.8	56500	4.80	8.6	3.5
2TXFH054AS3+*UY120R9V5	1760	57000	41500	5.23	12.75	10.9	55500	4.65	8.6	3.5
2TXFH063AS3+*DD100R9V5	1920	59000	44500	5.32	13.00	11.1	57500	4.75	8.7	3.6
2TXFH063AS3+*DD120R9V5	2030	59500	46000	5.31	13.25	11.2	57500	4.75	8.8	3.6
2TXFH063AS3+*DY120R9V5	1740	58500	43000	5.27	13.00	11.1	56500	4.66	8.7	3.6
2TXFH063AS3+*UD100R9V5	1970	59000	45000	5.46	12.50	10.8	58000	4.93	8.6	3.5
2TXFH063AS3+*UD120R9V5	1980	59500	45500	5.36	13.00	11.1	57500	4.81	8.7	3.5
2TXFH063AS3+*UD140R9V5	1970	59500	45500	5.36	13.00	11.1	57500	4.75	8.7	3.6
2TXFH063AS3+*UY120R9V5	1800	59000	43500	5.27	13.25	11.2	56500	4.66	8.8	3.6
TXC065S3+*DD120R9V5	2020	57000	42000	5.28	12.75	10.8	55500	4.71	8.6	3.5
TXC065S3+*DY120R9V5	1730	56000	39500	5.23	12.50	10.7	54500	4.63	8.6	3.5
TXC065S3+*UD120R9V5	1970	57000	41500	5.33	12.50	10.7	55500	4.71	8.5	3.5
TXC065S3+*UD140R9V5	1960	57000	41500	5.33	12.50	10.7	55500	4.71	8.5	3.5
TXC065S3+*UY120R9V5	1790	56000	40000	5.19	12.75	10.8	54500	4.63	8.6	3.5



Performance Data Cooling

2TWA3030A3/4

2TWA3030A3/4 WITH 2TEC3F30A1 AT 950 CFM

O.D. D.B.	I.D. W.B.	TOT. CAP.	SENS. CAP. AT ENTERING D.B. TEMP.				TOTAL KW
			72	75	78	80	
85	59	26.2	17.4	20.9	24.3	26.2	2.19
	63	27.4	15.9	19.2	22.3	24.4	2.2
	67	29.5	13.7	16.5	19.3	21.1	2.24
	71	31.8	11.4	13.7	16.0	17.5	2.26
95	59	24.9	16.8	20.2	23.6	24.9	2.36
	63	25.9	15.4	18.5	21.6	23.6	2.37
	67	28.0	13.3	16.0	18.7	20.4	2.41
	71	30.2	11.0	13.3	15.5	16.9	2.44
105	59	23.5	16.2	19.5	22.7	23.5	2.53
	63	24.5	14.9	17.9	20.9	22.8	2.55
	67	26.4	12.8	15.4	18.0	19.7	2.59
	71	28.5	10.6	12.8	14.9	16.3	2.61
115	59	22.1	15.6	18.8	21.9	22.1	2.71
	63	23.1	14.3	17.2	20.1	21.9	2.72
	67	24.9	12.3	14.8	17.3	18.9	2.77
	71	26.9	10.2	12.3	14.4	15.7	2.79

CORRECTION FACTORS FOR OTHER AIRFLOWS (MULTIPLY DATA BY FACTOR)

	AIRFLOW	TOTAL CAPACITY	SENSIBLE CAPACITY
LOW	831	0.98	0.98
HIGH	1069	1.02	1.02

NOTE: ALL TABLES ABOVE ARE AT ARI RATING CONDITIONS RATED WITH 25 FEET OF REFRIGERANT LINES.
* DRY COIL CONDITION (TOTAL CAPACITY = SENSIBLE CAPACITY)
TOTAL CAPACITY, COMP. KW AND APP. DEW PT. ARE VALID ONLY FOR WET COIL. ALL TEMPERATURES IN DEGREES F.

CORRECTION FACTORS FOR OTHER COMBINATIONS (MULTIPLY DATA BY FACTOR)

INDOOR MODEL		CFM	MBTUH TOT	MBTUH SEN	SYST KW
2TEC3F36A1	NOMINAL	950	1.00	1.00	1.00
	LOW	875	0.98	0.98	0.99
	HIGH	1125	1.02	1.02	1.01
2TFB3F30B1	NOMINAL	950	1.00	1.00	1.00
	LOW	875	0.98	0.98	0.99
	HIGH	1125	1.02	1.02	1.01
2TFB3F36B1	NOMINAL	950	1.00	1.00	1.00
	LOW	875	0.98	0.98	0.99
	HIGH	1125	1.02	1.02	1.01
2TFE3F25B1	NOMINAL	950	1.00	1.00	1.00
	LOW	718	0.98	0.98	0.99
	HIGH	923	1.02	1.02	1.01
2TGB3F30A1	NOMINAL	950	1.00	1.00	1.00
	LOW	875	0.98	0.98	0.99
	HIGH	1125	1.02	1.02	1.01
2TGB3F36A1	NOMINAL	950	1.00	1.00	1.00
	LOW	875	0.98	0.98	0.99
	HIGH	1125	1.02	1.02	1.01
2TGB3F42A1	NOMINAL	950	1.00	1.00	1.00
	LOW	875	0.98	0.98	0.99
	HIGH	1125	1.02	1.02	1.01
2TXCB031AC3	NOMINAL	950	1.00	1.00	1.00
	LOW	875	0.98	0.98	0.99
	HIGH	1125	1.02	1.02	1.01
2TXCB031AC3+*DD060R9V3	NOMINAL	950	1.00	1.00	1.00
	LOW	875	0.98	0.98	0.99
	HIGH	1125	1.02	1.02	1.01
2TXCB031AC3+*DD080R9V3	NOMINAL	950	1.00	1.00	1.00
	LOW	831	0.98	0.98	0.99
	HIGH	1069	1.02	1.02	1.01
2TXCB031AC3+*DY060R9V3	NOMINAL	950	1.00	1.00	1.00
	LOW	761	0.98	0.98	0.99
	HIGH	979	1.02	1.02	1.01
2TXCB031AC3+*DY080R9V3	NOMINAL	950	1.00	1.00	1.00
	LOW	779	0.98	0.98	0.99
	HIGH	1001	1.02	1.02	1.01

CORRECTION FACTORS FOR OTHER COMBINATIONS (MULTIPLY DATA BY FACTOR)

INDOOR MODEL		CFM	MBTUH TOT	MBTUH SEN	SYST KW
2TXCB031AC3+*UD060R9V3	NOMINAL	950	1.00	1.00	1.00
	LOW	910	0.98	0.98	0.99
	HIGH	1170	1.02	1.02	1.01
2TXCB031AC3+*UD080R9V3	NOMINAL	950	1.00	1.00	1.00
	LOW	875	0.98	0.98	0.99
	HIGH	1125	1.02	1.02	1.01
2TXCB031AC3+*UD080R9V4	NOMINAL	950	1.00	1.00	1.00
	LOW	875	0.98	0.98	0.99
	HIGH	1125	1.02	1.02	1.01
2TXCB031AC3+*UD100R9V3	NOMINAL	950	1.00	1.00	1.00
	LOW	910	0.98	0.98	0.99
	HIGH	1170	1.02	1.02	1.01
2TXCB031AC3+*UY060R9V3	NOMINAL	950	1.00	1.00	1.00
	LOW	770	0.98	0.98	0.99
	HIGH	990	1.02	1.02	1.01
2TXCB031AC3+*UY080R9V3	NOMINAL	950	1.00	1.00	1.00
	LOW	753	0.98	0.98	0.99
	HIGH	968	1.02	1.02	1.01
2TXCB031AS3	NOMINAL	950	1.00	1.00	1.00
	LOW	875	0.98	0.98	0.99
	HIGH	1125	1.02	1.02	1.01
2TXCB031AS3+*DD060R9V3	NOMINAL	950	1.00	1.00	1.00
	LOW	875	0.98	0.98	0.99
	HIGH	1125	1.02	1.02	1.01
2TXCB031AS3+*DD080R9V3	NOMINAL	950	1.00	1.00	1.00
	LOW	831	0.98	0.98	0.99
	HIGH	1069	1.02	1.02	1.01
2TXCB031AS3+*DY060R9V3	NOMINAL	950	1.00	1.00	1.00
	LOW	761	0.98	0.98	0.99
	HIGH	979	1.02	1.02	1.01
2TXCB031AS3+*DY080R9V3	NOMINAL	950	1.00	1.00	1.00
	LOW	779	0.98	0.98	0.99
	HIGH	1001	1.02	1.02	1.01
2TXCB031AS3+*UD060R9V3	NOMINAL	950	1.00	1.00	1.00
	LOW	910	0.98	0.98	0.99
	HIGH	1170	1.02	1.02	1.01
2TXCB031AS3+*UD080R9V3	NOMINAL	950	1.00	1.00	1.00
	LOW	875	0.98	0.98	0.99
	HIGH	1125	1.02	1.02	1.01
2TXCB031AS3+*UD080R9V4	NOMINAL	950	1.00	1.00	1.00
	LOW	875	0.98	0.98	0.99
	HIGH	1125	1.02	1.02	1.01
2TXCB031AS3+*UD100R9V3	NOMINAL	950	1.00	1.00	1.00
	LOW	919	0.98	0.98	0.99
	HIGH	1181	1.02	1.02	1.01
2TXCB031AS3+*UY060R9V3	NOMINAL	950	1.00	1.00	1.00
	LOW	770	0.98	0.98	0.99
	HIGH	990	1.02	1.02	1.01
2TXCB031AS3+*UY080R9V3	NOMINAL	950	1.00	1.00	1.00
	LOW	753	0.98	0.98	0.99
	HIGH	968	1.02	1.02	1.01
2TXCB036AC3	NOMINAL	950	1.00	1.00	1.00
	LOW	875	0.98	0.98	0.99
	HIGH	1125	1.02	1.02	1.01
2TXCB036AC3+*DD060R9V3	NOMINAL	950	1.00	1.00	1.00
	LOW	875	0.98	0.98	0.99
	HIGH	1125	1.02	1.02	1.01
2TXCB036AC3+*DD080R9V3	NOMINAL	950	1.00	1.00	1.00
	LOW	831	0.98	0.98	0.99
	HIGH	1069	1.02	1.02	1.01
2TXCB036AC3+*DY060R9V3	NOMINAL	950	1.00	1.00	1.00
	LOW	761	0.98	0.98	0.99
	HIGH	979	1.02	1.02	1.01



Performance Data Cooling

2TWA3030A3/4

CORRECTION FACTORS FOR OTHER COMBINATIONS (MULTIPLY DATA BY FACTOR)

INDOOR MODEL		CFM	MBTUH TOT	MBTUH SEN	SYST KW
2TXCB036AC3+*DY080R9V3	NOMINAL	950	1.00	1.00	1.00
	LOW	779	0.98	0.98	0.99
	HIGH	1001	1.02	1.02	1.01
2TXCB036AC3+*UD060R9V3	NOMINAL	950	1.00	1.00	1.00
	LOW	910	0.98	0.98	0.99
	HIGH	1170	1.02	1.02	1.01
2TXCB036AC3+*UD080R9V3	NOMINAL	950	1.00	1.00	1.00
	LOW	875	0.98	0.98	0.99
	HIGH	1125	1.02	1.02	1.01
2TXCB036AC3+*UD080R9V4	NOMINAL	950	1.00	1.00	1.00
	LOW	875	0.98	0.98	0.99
	HIGH	1125	1.02	1.02	1.01
2TXCB036AC3+*UD100R9V3	NOMINAL	950	1.00	1.00	1.00
	LOW	910	0.98	0.98	0.99
	HIGH	1170	1.02	1.02	1.01
2TXCB036AC3+*UY060R9V3	NOMINAL	950	1.00	1.00	1.00
	LOW	770	0.98	0.98	0.99
	HIGH	990	1.02	1.02	1.01
2TXCB036AC3+*UY080R9V3	NOMINAL	950	1.00	1.00	1.00
	LOW	753	0.98	0.98	0.99
	HIGH	968	1.02	1.02	1.01
2TXCB036AS3	NOMINAL	950	1.00	1.00	1.00
	LOW	875	0.98	0.98	0.99
	HIGH	1125	1.02	1.02	1.01
2TXCB036AS3+*DD060R9V3	NOMINAL	950	1.00	1.00	1.00
	LOW	875	0.98	0.98	0.99
	HIGH	1125	1.02	1.02	1.01
2TXCB036AS3+*DD080R9V3	NOMINAL	950	1.00	1.00	1.00
	LOW	831	0.98	0.98	0.99
	HIGH	1069	1.02	1.02	1.01
2TXCB036AS3+*DY060R9V3	NOMINAL	950	1.00	1.00	1.00
	LOW	761	0.98	0.98	0.99
	HIGH	979	1.02	1.02	1.01
2TXCB036AS3+*DY080R9V3	NOMINAL	950	1.00	1.00	1.00
	LOW	779	0.98	0.98	0.99
	HIGH	1001	1.02	1.02	1.01
2TXCB036AS3+*UD060R9V3	NOMINAL	950	1.00	1.00	1.00
	LOW	901	0.98	0.98	0.99
	HIGH	1159	1.02	1.02	1.01
2TXCB036AS3+*UD080R9V3	NOMINAL	950	1.00	1.00	1.00
	LOW	875	0.98	0.98	0.99
	HIGH	1125	1.02	1.02	1.01
2TXCB036AS3+*UD080R9V4	NOMINAL	950	1.00	1.00	1.00
	LOW	875	0.98	0.98	0.99
	HIGH	1125	1.02	1.02	1.01
2TXCB036AS3+*UD100R9V3	NOMINAL	950	1.00	1.00	1.00
	LOW	901	0.98	0.98	0.99
	HIGH	1159	1.02	1.02	1.01
2TXCB036AS3+*UY060R9V3	NOMINAL	950	1.00	1.00	1.00
	LOW	770	0.98	0.98	0.99
	HIGH	990	1.02	1.02	1.01
2TXCB036AS3+*UY080R9V3	NOMINAL	950	1.00	1.00	1.00
	LOW	753	0.98	0.98	0.99
	HIGH	968	1.02	1.02	1.01
2TXCB042AC3	NOMINAL	950	1.00	1.00	1.00
	LOW	875	0.98	0.98	0.99
	HIGH	1125	1.02	1.02	1.01
2TXCB042AC3+*DD060R9V3	NOMINAL	950	1.00	1.00	1.00
	LOW	875	0.98	0.98	0.99
	HIGH	1125	1.02	1.02	1.01
2TXCB042AC3+*DD080R9V3	NOMINAL	950	1.00	1.00	1.00
	LOW	831	0.98	0.98	0.99
	HIGH	1069	1.02	1.02	1.01

CORRECTION FACTORS FOR OTHER COMBINATIONS (MULTIPLY DATA BY FACTOR)

INDOOR MODEL		CFM	MBTUH TOT	MBTUH SEN	SYST KW
2TXCB042AC3+*DY060R9V3	NOMINAL	950	1.00	1.00	1.00
	LOW	761	0.98	0.98	0.99
	HIGH	979	1.02	1.02	1.01
2TXCB042AC3+*DY080R9V3	NOMINAL	950	1.00	1.00	1.00
	LOW	779	0.98	0.98	0.99
	HIGH	1001	1.02	1.02	1.01
2TXCB042AC3+*UD060R9V3	NOMINAL	950	1.00	1.00	1.00
	LOW	910	0.98	0.98	0.99
	HIGH	1170	1.02	1.02	1.01
2TXCB042AC3+*UD080R9V3	NOMINAL	950	1.00	1.00	1.00
	LOW	875	0.98	0.98	0.99
	HIGH	1125	1.02	1.02	1.01
2TXCB042AC3+*UD080R9V4	NOMINAL	950	1.00	1.00	1.00
	LOW	875	0.98	0.98	0.99
	HIGH	1125	1.02	1.02	1.01
2TXCB042AC3+*UD100R9V3	NOMINAL	950	1.00	1.00	1.00
	LOW	910	0.98	0.98	0.99
	HIGH	1170	1.02	1.02	1.01
2TXCB042AC3+*UY060R9V3	NOMINAL	950	1.00	1.00	1.00
	LOW	770	0.98	0.98	0.99
	HIGH	990	1.02	1.02	1.01
2TXCB042AC3+*UY080R9V3	NOMINAL	950	1.00	1.00	1.00
	LOW	753	0.98	0.98	0.99
	HIGH	968	1.02	1.02	1.01
2TXCC037AC3	NOMINAL	950	1.00	1.00	1.00
	LOW	875	0.98	0.98	0.99
	HIGH	1125	1.02	1.02	1.01
2TXCC037AC3+*DY100R9V4	NOMINAL	950	1.00	1.00	1.00
	LOW	928	0.98	0.98	0.99
	HIGH	1193	1.02	1.02	1.01
2TXCC037AC3+*UY100R9V4	NOMINAL	950	1.00	1.00	1.00
	LOW	919	0.98	0.98	0.99
	HIGH	1181	1.02	1.02	1.01
2TXCC037AS3	NOMINAL	950	1.00	1.00	1.00
	LOW	875	0.98	0.98	0.99
	HIGH	1125	1.02	1.02	1.01
2TXCC037AS3+*DY100R9V4	NOMINAL	950	1.00	1.00	1.00
	LOW	928	0.98	0.98	0.99
	HIGH	1193	1.02	1.02	1.01
2TXCC037AS3+*UY100R9V4	NOMINAL	950	1.00	1.00	1.00
	LOW	919	0.98	0.98	0.99
	HIGH	1181	1.02	1.02	1.01
2TXFH033AS3	NOMINAL	950	1.00	1.00	1.00
	LOW	875	0.98	0.98	0.99
	HIGH	1125	1.02	1.02	1.01
2TXFH033AS3+*DD060R9V3	NOMINAL	950	1.00	1.00	1.00
	LOW	866	0.98	0.98	0.99
	HIGH	1114	1.02	1.02	1.01
2TXFH033AS3+*DD080R9V3	NOMINAL	950	1.00	1.00	1.00
	LOW	840	0.98	0.98	0.99
	HIGH	1080	1.02	1.02	1.01
2TXFH033AS3+*DY060R9V3	NOMINAL	950	1.00	1.00	1.00
	LOW	753	0.98	0.98	0.99
	HIGH	968	1.02	1.02	1.01
2TXFH033AS3+*DY080R9V3	NOMINAL	950	1.00	1.00	1.00
	LOW	770	0.98	0.98	0.99
	HIGH	990	1.02	1.02	1.01
2TXFH033AS3+*UD060R9V3	NOMINAL	950	1.00	1.00	1.00
	LOW	893	0.98	0.98	0.99
	HIGH	1148	1.02	1.02	1.01
2TXFH033AS3+*UD080R9V3	NOMINAL	950	1.00	1.00	1.00
	LOW	884	0.98	0.98	0.99
	HIGH	1136	1.02	1.02	1.01



Performance Data Cooling

2TWA3030A3/4

CORRECTION FACTORS FOR OTHER COMBINATIONS (MULTIPLY DATA BY FACTOR)

INDOOR MODEL		CFM	MBTUH TOT	MBTUH SEN	SYST KW
2TXFH033AS3+*UD080R9V4	NOMINAL	950	1.00	1.00	1.00
	LOW	875	0.98	0.98	0.99
	HIGH	1125	1.02	1.02	1.01
2TXFH033AS3+*UD100R9V3	NOMINAL	950	1.00	1.00	1.00
	LOW	893	0.98	0.98	0.99
	HIGH	1148	1.02	1.02	1.01
2TXFH033AS3+*UY060R9V3	NOMINAL	950	1.00	1.00	1.00
	LOW	761	0.98	0.98	0.99
	HIGH	979	1.02	1.02	1.01
2TXFH033AS3+*UY080R9V3	NOMINAL	950	1.00	1.00	1.00
	LOW	744	0.98	0.98	0.99
	HIGH	956	1.02	1.02	1.01
2TXFH033AS3+*UY100R9V4	NOMINAL	950	1.00	1.00	1.00
	LOW	919	0.98	0.98	0.99
	HIGH	1181	1.02	1.02	1.01
2TXFH041AS3	NOMINAL	950	1.00	1.00	1.00
	LOW	875	0.98	0.98	0.99
	HIGH	1125	1.02	1.02	1.01
2TXFH041AS3+*DD060R9V3	NOMINAL	950	1.00	1.00	1.00
	LOW	866	0.98	0.98	0.99
	HIGH	1114	1.02	1.02	1.01
2TXFH041AS3+*DD080R9V3	NOMINAL	950	1.00	1.00	1.00
	LOW	840	0.98	0.98	0.99
	HIGH	1080	1.02	1.02	1.01
2TXFH041AS3+*DY060R9V3	NOMINAL	950	1.00	1.00	1.00
	LOW	761	0.98	0.98	0.99
	HIGH	979	1.02	1.02	1.01
2TXFH041AS3+*DY080R9V3	NOMINAL	950	1.00	1.00	1.00
	LOW	779	0.98	0.98	0.99
	HIGH	1001	1.02	1.02	1.01
2TXFH041AS3+*DY100R9V4	NOMINAL	950	1.00	1.00	1.00
	LOW	928	0.98	0.98	0.99
	HIGH	1193	1.02	1.02	1.01
2TXFH041AS3+*UD060R9V3	NOMINAL	950	1.00	1.00	1.00
	LOW	893	0.98	0.98	0.99
	HIGH	1148	1.02	1.02	1.01
2TXFH041AS3+*UD080R9V3	NOMINAL	950	1.00	1.00	1.00
	LOW	884	0.98	0.98	0.99
	HIGH	1136	1.02	1.02	1.01
2TXFH041AS3+*UD080R9V4	NOMINAL	950	1.00	1.00	1.00
	LOW	875	0.98	0.98	0.99
	HIGH	1125	1.02	1.02	1.01
2TXFH041AS3+*UD100R9V3	NOMINAL	950	1.00	1.00	1.00
	LOW	893	0.98	0.98	0.99
	HIGH	1148	1.02	1.02	1.01
2TXFH041AS3+*UY060R9V3	NOMINAL	950	1.00	1.00	1.00
	LOW	761	0.98	0.98	0.99
	HIGH	979	1.02	1.02	1.01
2TXFH041AS3+*UY080R9V3	NOMINAL	950	1.00	1.00	1.00
	LOW	744	0.98	0.98	0.99
	HIGH	956	1.02	1.02	1.01
2TXFH041AS3+*UY100R9V4	NOMINAL	950	1.00	1.00	1.00
	LOW	919	0.98	0.98	0.99
	HIGH	1181	1.02	1.02	1.01
TWE024P13	NOMINAL	950	1.00	1.00	1.00
	LOW	875	0.98	0.98	0.99
	HIGH	1125	1.02	1.02	1.01
TWE030C14+TAYTXVH-3	NOMINAL	950	1.00	1.00	1.00
	LOW	875	0.98	0.98	0.99
	HIGH	1125	1.02	1.02	1.01
TWE030P13	NOMINAL	950	1.00	1.00	1.00
	LOW	827	0.98	0.98	0.99
	HIGH	1063	1.02	1.02	1.01

CORRECTION FACTORS FOR OTHER COMBINATIONS (MULTIPLY DATA BY FACTOR)

INDOOR MODEL		CFM	MBTUH TOT	MBTUH SEN	SYST KW
TWE031E13	NOMINAL	950	1.00	1.00	1.00
	LOW	893	0.98	0.98	0.99
	HIGH	1148	1.02	1.02	1.01
TWE036C14+TAYTXVH-3	NOMINAL	950	1.00	1.00	1.00
	LOW	875	0.98	0.98	0.99
	HIGH	1125	1.02	1.02	1.01
TWE036P13	NOMINAL	950	1.00	1.00	1.00
	LOW	875	0.98	0.98	0.99
	HIGH	1125	1.02	1.02	1.01
TWE037E13	NOMINAL	950	1.00	1.00	1.00
	LOW	866	0.98	0.98	0.99
	HIGH	1114	1.02	1.02	1.01
TWE040E13	NOMINAL	950	1.00	1.00	1.00
	LOW	875	0.98	0.98	0.99
	HIGH	1125	1.02	1.02	1.01
TWG036A14+TAYTXVH-3	NOMINAL	950	1.00	1.00	1.00
	LOW	875	0.98	0.98	0.99
	HIGH	1125	1.02	1.02	1.01
TXA030C4+TAYTXVH-3	NOMINAL	950	1.00	1.00	1.00
	LOW	875	0.98	0.98	0.99
	HIGH	1125	1.02	1.02	1.01
TXA031C4+TAYTXVH-3	NOMINAL	950	1.00	1.00	1.00
	LOW	875	0.98	0.98	0.99
	HIGH	1125	1.02	1.02	1.01
TXA035C4+TAYTXVH-3	NOMINAL	950	1.00	1.00	1.00
	LOW	875	0.98	0.98	0.99
	HIGH	1125	1.02	1.02	1.01
TXA036C4+TAYTXVH-3	NOMINAL	950	1.00	1.00	1.00
	LOW	875	0.98	0.98	0.99
	HIGH	1125	1.02	1.02	1.01
TXC030C4+TAYTXVH-3	NOMINAL	950	1.00	1.00	1.00
	LOW	875	0.98	0.98	0.99
	HIGH	1125	1.02	1.02	1.01
TXC030D4+TAYTXVH-3	NOMINAL	950	1.00	1.00	1.00
	LOW	875	0.98	0.98	0.99
	HIGH	1125	1.02	1.02	1.01
TXC031C4+TAYTXVH-3	NOMINAL	950	1.00	1.00	1.00
	LOW	875	0.98	0.98	0.99
	HIGH	1125	1.02	1.02	1.01
TXC031D4+TAYTXVH-3	NOMINAL	950	1.00	1.00	1.00
	LOW	875	0.98	0.98	0.99
	HIGH	1125	1.02	1.02	1.01
TXC031S3	NOMINAL	950	1.00	1.00	1.00
	LOW	875	0.98	0.98	0.99
	HIGH	1125	1.02	1.02	1.01
TXC031S3+*DD060R9V3	NOMINAL	950	1.00	1.00	1.00
	LOW	875	0.98	0.98	0.99
	HIGH	1125	1.02	1.02	1.01
TXC031S3+*DD080R9V3	NOMINAL	950	1.00	1.00	1.00
	LOW	831	0.98	0.98	0.99
	HIGH	1069	1.02	1.02	1.01
TXC031S3+*DY060R9V3	NOMINAL	950	1.00	1.00	1.00
	LOW	761	0.98	0.98	0.99
	HIGH	979	1.02	1.02	1.01
TXC031S3+*DY080R9V3	NOMINAL	950	1.00	1.00	1.00
	LOW	779	0.98	0.98	0.99
	HIGH	1001	1.02	1.02	1.01
TXC031S3+*UD060R9V3	NOMINAL	950	1.00	1.00	1.00
	LOW	910	0.98	0.98	0.99
	HIGH	1170	1.02	1.02	1.01
TXC031S3+*UD080R9V3	NOMINAL	950	1.00	1.00	1.00
	LOW	875	0.98	0.98	0.99
	HIGH	1125	1.02	1.02	1.01



Performance Data Cooling

2TWA3030A3/4

CORRECTION FACTORS FOR OTHER COMBINATIONS (MULTIPLY DATA BY FACTOR)

INDOOR MODEL		CFM	MBTUH TOT	MBTUH SEN	SYST KW
TXC031S3+*UD080R9V4	NOMINAL	950	1.00	1.00	1.00
	LOW	875	0.98	0.98	0.99
	HIGH	1125	1.02	1.02	1.01
TXC031S3+*UD100R9V3	NOMINAL	950	1.00	1.00	1.00
	LOW	919	0.98	0.98	0.99
	HIGH	1181	1.02	1.02	1.01
TXC031S3+*UY060R9V3	NOMINAL	950	1.00	1.00	1.00
	LOW	770	0.98	0.98	0.99
	HIGH	990	1.02	1.02	1.01
TXC031S3+*UY080R9V3	NOMINAL	950	1.00	1.00	1.00
	LOW	753	0.98	0.98	0.99
	HIGH	968	1.02	1.02	1.01
TXC035C4+TAYTXVH-3	NOMINAL	950	1.00	1.00	1.00
	LOW	875	0.98	0.98	0.99
	HIGH	1125	1.02	1.02	1.01
TXC035D4+TAYTXVH-3	NOMINAL	950	1.00	1.00	1.00
	LOW	875	0.98	0.98	0.99
	HIGH	1125	1.02	1.02	1.01
TXC036C4+TAYTXVH-3	NOMINAL	950	1.00	1.00	1.00
	LOW	875	0.98	0.98	0.99
	HIGH	1125	1.02	1.02	1.01
TXC036D4+TAYTXVH-3	NOMINAL	950	1.00	1.00	1.00
	LOW	875	0.98	0.98	0.99
	HIGH	1125	1.02	1.02	1.01
TXC036S3	NOMINAL	950	1.00	1.00	1.00
	LOW	875	0.98	0.98	0.99
	HIGH	1125	1.02	1.02	1.01
TXC036S3+*DD060R9V3	NOMINAL	950	1.00	1.00	1.00
	LOW	875	0.98	0.98	0.99
	HIGH	1125	1.02	1.02	1.01
TXC036S3+*DD080R9V3	NOMINAL	950	1.00	1.00	1.00
	LOW	831	0.98	0.98	0.99
	HIGH	1069	1.02	1.02	1.01
TXC036S3+*DY060R9V3	NOMINAL	950	1.00	1.00	1.00
	LOW	761	0.98	0.98	0.99
	HIGH	979	1.02	1.02	1.01
TXC036S3+*DY080R9V3	NOMINAL	950	1.00	1.00	1.00
	LOW	779	0.98	0.98	0.99
	HIGH	1001	1.02	1.02	1.01
TXC036S3+*UD060R9V3	NOMINAL	950	1.00	1.00	1.00
	LOW	901	0.98	0.98	0.99
	HIGH	1159	1.02	1.02	1.01
TXC036S3+*UD080R9V3	NOMINAL	950	1.00	1.00	1.00
	LOW	875	0.98	0.98	0.99
	HIGH	1125	1.02	1.02	1.01
TXC036S3+*UD080R9V4	NOMINAL	950	1.00	1.00	1.00
	LOW	875	0.98	0.98	0.99
	HIGH	1125	1.02	1.02	1.01
TXC036S3+*UD100R9V3	NOMINAL	950	1.00	1.00	1.00
	LOW	901	0.98	0.98	0.99
	HIGH	1159	1.02	1.02	1.01
TXC036S3+*UY060R9V3	NOMINAL	950	1.00	1.00	1.00
	LOW	770	0.98	0.98	0.99
	HIGH	990	1.02	1.02	1.01
TXC036S3+*UY080R9V3	NOMINAL	950	1.00	1.00	1.00
	LOW	753	0.98	0.98	0.99
	HIGH	968	1.02	1.02	1.01
TXC037S3	NOMINAL	950	1.00	1.00	1.00
	LOW	875	0.98	0.98	0.99
	HIGH	1125	1.02	1.02	1.01
TXC037S3+*DY100R9V4	NOMINAL	950	1.00	1.00	1.00
	LOW	928	0.98	0.98	0.99
	HIGH	1193	1.02	1.02	1.01

CORRECTION FACTORS FOR OTHER COMBINATIONS (MULTIPLY DATA BY FACTOR)

INDOOR MODEL		CFM	MBTUH TOT	MBTUH SEN	SYST KW
TXC037S3+*UY100R9V4	NOMINAL	950	1.00	1.00	1.00
	LOW	919	0.98	0.98	0.99
	HIGH	1181	1.02	1.02	1.01
TXH033A4+TAYTXVH-3	NOMINAL	950	1.00	1.00	1.00
	LOW	875	0.98	0.98	0.99
	HIGH	1125	1.02	1.02	1.01
TXH033A4+TAYTXVH-3+*DD060R9V3	NOMINAL	950	1.00	1.00	1.00
	LOW	866	0.98	0.98	0.99
	HIGH	1114	1.02	1.02	1.01
TXH033A4+TAYTXVH-3+*DD080R9V3	NOMINAL	950	1.00	1.00	1.00
	LOW	840	0.98	0.98	0.99
	HIGH	1080	1.02	1.02	1.01
TXH033A4+TAYTXVH-3+*DY060R9V3	NOMINAL	950	1.00	1.00	1.00
	LOW	753	0.98	0.98	0.99
	HIGH	968	1.02	1.02	1.01
TXH033A4+TAYTXVH-3+*UD060R9V3	NOMINAL	950	1.00	1.00	1.00
	LOW	893	0.98	0.98	0.99
	HIGH	1148	1.02	1.02	1.01
TXH033A4+TAYTXVH-3+*UD080R9V3	NOMINAL	950	1.00	1.00	1.00
	LOW	884	0.98	0.98	0.99
	HIGH	1136	1.02	1.02	1.01
TXH033A4+TAYTXVH-3+*UD080R9V4	NOMINAL	950	1.00	1.00	1.00
	LOW	875	0.98	0.98	0.99
	HIGH	1125	1.02	1.02	1.01
TXH033A4+TAYTXVH-3+*UD100R9V3	NOMINAL	950	1.00	1.00	1.00
	LOW	893	0.98	0.98	0.99
	HIGH	1148	1.02	1.02	1.01
TXH033A4+TAYTXVH-3+*UY060R9V3	NOMINAL	950	1.00	1.00	1.00
	LOW	761	0.98	0.98	0.99
	HIGH	979	1.02	1.02	1.01
TXH041A4+TAYTXVH-3	NOMINAL	950	1.00	1.00	1.00
	LOW	875	0.98	0.98	0.99
	HIGH	1125	1.02	1.02	1.01
TXH041A4+TAYTXVH-3+*DD060R9V3	NOMINAL	950	1.00	1.00	1.00
	LOW	866	0.98	0.98	0.99
	HIGH	1114	1.02	1.02	1.01
TXH041A4+TAYTXVH-3+*DD080R9V3	NOMINAL	950	1.00	1.00	1.00
	LOW	840	0.98	0.98	0.99
	HIGH	1080	1.02	1.02	1.01
TXH041A4+TAYTXVH-3+*DY060R9V3	NOMINAL	950	1.00	1.00	1.00
	LOW	761	0.98	0.98	0.99
	HIGH	979	1.02	1.02	1.01
TXH041A4+TAYTXVH-3+*DY080R9V3	NOMINAL	950	1.00	1.00	1.00
	LOW	779	0.98	0.98	0.99
	HIGH	1001	1.02	1.02	1.01
TXH041A4+TAYTXVH-3+*UD060R9V3	NOMINAL	950	1.00	1.00	1.00
	LOW	893	0.98	0.98	0.99
	HIGH	1148	1.02	1.02	1.01
TXH041A4+TAYTXVH-3+*UD080R9V3	NOMINAL	950	1.00	1.00	1.00
	LOW	884	0.98	0.98	0.99
	HIGH	1136	1.02	1.02	1.01
TXH041A4+TAYTXVH-3+*UD080R9V4	NOMINAL	950	1.00	1.00	1.00
	LOW	875	0.98	0.98	0.99
	HIGH	1125	1.02	1.02	1.01
TXH041A4+TAYTXVH-3+*UD100R9V3	NOMINAL	950	1.00	1.00	1.00
	LOW	893	0.98	0.98	0.99
	HIGH	1148	1.02	1.02	1.01
TXH041A4+TAYTXVH-3+*UY060R9V3	NOMINAL	950	1.00	1.00	1.00
	LOW	761	0.98	0.98	0.99
	HIGH	979	1.02	1.02	1.01
TXH041A4+TAYTXVH-3+*UY080R9V3	NOMINAL	950	1.00	1.00	1.00
	LOW	744	0.98	0.98	0.99
	HIGH	956	1.02	1.02	1.01



Performance Data Cooling

2TWA3036A3/4

2TWA3036A3/4 WITH 2TEC3F36A1 AT 1200 CFM

O.D. D.B.	I.D. W.B.	TOT. CAP.	SENS. CAP. AT ENTERING D.B. TEMP.				TOTAL KW
			72	75	78	80	
85	59	31.9	21.1	25.4	29.6	31.9	2.64
	63	33.3	19.4	23.3	27.2	29.7	2.66
	67	35.9	16.7	20.1	23.5	25.6	2.71
	71	38.8	13.9	16.7	19.5	21.3	2.73
95	59	30.2	20.4	24.6	28.6	30.2	2.84
	63	31.5	18.7	22.5	26.3	28.7	2.86
	67	34.0	16.2	19.4	22.7	24.8	2.91
	71	36.7	13.4	16.1	18.8	20.5	2.93
105	59	28.5	19.7	23.6	27.6	28.5	3.04
	63	29.7	18.0	21.7	25.3	27.6	3.06
	67	32.0	15.6	18.7	21.8	23.9	3.11
	71	34.6	12.9	15.5	18.1	19.8	3.14
115	59	26.8	18.9	22.7	26.4	26.8	3.23
	63	27.9	17.3	20.8	24.3	26.5	3.25
	67	30.1	14.9	17.9	20.9	22.9	3.31
	71	32.5	12.4	14.9	17.4	19.0	3.34

CORRECTION FACTORS FOR OTHER AIRFLOWS (MULTIPLY DATA BY FACTOR)

AIRFLOW	TOTAL CAPACITY	SENSIBLE CAPACITY
LOW	1050	0.98
HIGH	1350	1.02

NOTE: ALL TABLES ABOVE ARE AT ARI RATING CONDITIONS RATED WITH 25 FEET OF REFRIGERANT LINES.
* DRY COIL CONDITION (TOTAL CAPACITY = SENSIBLE CAPACITY)
TOTAL CAPACITY, COMP. KW AND APP. DEW PT. ARE VALID ONLY FOR WET COIL. ALL TEMPERATURES IN DEGREES F.

CORRECTION FACTORS FOR OTHER COMBINATIONS (MULTIPLY DATA BY FACTOR)

INDOOR MODEL	CFM	MBTUH TOT	MBTUH SEN	SYST KW
2TEC3F42A1	NOMINAL	1200	1.00	1.00
	LOW	1050	0.98	0.98
	HIGH	1350	1.02	1.01
2TEC3F48A1	NOMINAL	1200	1.00	1.00
	LOW	1050	0.98	0.98
	HIGH	1350	1.02	1.01
2TFB3F36B1	NOMINAL	1200	1.00	1.00
	LOW	1050	0.98	0.98
	HIGH	1350	1.02	1.01
2TFE3F25B1	NOMINAL	1200	1.00	1.00
	LOW	901	0.98	0.98
	HIGH	1159	1.02	1.01
2TGB3F36A1	NOMINAL	1200	1.00	1.00
	LOW	1050	0.98	0.98
	HIGH	1350	1.02	1.01
2TGB3F42A1	NOMINAL	1200	1.00	1.00
	LOW	1050	0.98	0.98
	HIGH	1350	1.02	1.01
2TGB3F48A1	NOMINAL	1200	1.00	1.00
	LOW	1050	0.98	0.98
	HIGH	1350	1.02	1.01
2TXCB036AC3	NOMINAL	1200	1.00	1.00
	LOW	1050	0.98	0.98
	HIGH	1350	1.02	1.01
2TXCB036AC3+*DD060R9V3	NOMINAL	1200	1.00	1.00
	LOW	1068	0.98	0.98
	HIGH	1373	1.02	1.01
2TXCB036AC3+*DD080R9V3	NOMINAL	1200	1.00	1.00
	LOW	989	0.98	0.98
	HIGH	1271	1.02	1.01
2TXCB036AC3+*DY060R9V3	NOMINAL	1200	1.00	1.00
	LOW	954	0.98	0.98
	HIGH	1226	1.02	1.01

CORRECTION FACTORS FOR OTHER COMBINATIONS (MULTIPLY DATA BY FACTOR)

INDOOR MODEL	CFM	MBTUH TOT	MBTUH SEN	SYST KW
2TXCB036AC3+*DY080R9V3	NOMINAL	1200	1.00	1.00
	LOW	963	0.98	0.98
	HIGH	1238	1.02	1.01
2TXCB036AC3+*UD060R9V3	NOMINAL	1200	1.00	1.00
	LOW	1050	0.98	0.98
	HIGH	1350	1.02	1.01
2TXCB036AC3+*UD080R9V3	NOMINAL	1200	1.00	1.00
	LOW	1050	0.98	0.98
	HIGH	1350	1.02	1.01
2TXCB036AC3+*UD080R9V4	NOMINAL	1200	1.00	1.00
	LOW	1033	0.98	0.98
	HIGH	1328	1.02	1.01
2TXCB036AC3+*UD100R9V3	NOMINAL	1200	1.00	1.00
	LOW	1094	0.98	0.98
	HIGH	1406	1.02	1.01
2TXCB036AC3+*UY060R9V3	NOMINAL	1200	1.00	1.00
	LOW	945	0.98	0.98
	HIGH	1215	1.02	1.01
2TXCB036AC3+*UY080R9V3	NOMINAL	1200	1.00	1.00
	LOW	901	0.98	0.98
	HIGH	1159	1.02	1.01
2TXCB036AS3	NOMINAL	1200	1.00	1.00
	LOW	1050	0.98	0.98
	HIGH	1350	1.02	1.01
2TXCB036AS3+*DD060R9V3	NOMINAL	1200	1.00	1.00
	LOW	1068	0.98	0.98
	HIGH	1373	1.02	1.01
2TXCB036AS3+*DD080R9V3	NOMINAL	1200	1.00	1.00
	LOW	989	0.98	0.98
	HIGH	1271	1.02	1.01
2TXCB036AS3+*DY060R9V3	NOMINAL	1200	1.00	1.00
	LOW	954	0.98	0.98
	HIGH	1226	1.02	1.01
2TXCB036AS3+*DY080R9V3	NOMINAL	1200	1.00	1.00
	LOW	963	0.98	0.98
	HIGH	1238	1.02	1.01
2TXCB036AS3+*UD060R9V3	NOMINAL	1200	1.00	1.00
	LOW	1050	0.98	0.98
	HIGH	1350	1.02	1.01
2TXCB036AS3+*UD080R9V3	NOMINAL	1200	1.00	1.00
	LOW	1050	0.98	0.98
	HIGH	1350	1.02	1.01
2TXCB036AS3+*UD080R9V4	NOMINAL	1200	1.00	1.00
	LOW	1033	0.98	0.98
	HIGH	1328	1.02	1.01
2TXCB036AS3+*UD100R9V3	NOMINAL	1200	1.00	1.00
	LOW	1094	0.98	0.98
	HIGH	1406	1.02	1.01
2TXCB036AS3+*UY060R9V3	NOMINAL	1200	1.00	1.00
	LOW	945	0.98	0.98
	HIGH	1215	1.02	1.01
2TXCB036AS3+*UY080R9V3	NOMINAL	1200	1.00	1.00
	LOW	901	0.98	0.98
	HIGH	1159	1.02	1.01
2TXCB042AC3	NOMINAL	1200	1.00	1.00
	LOW	1050	0.98	0.98
	HIGH	1350	1.02	1.01
2TXCB042AC3+*DD060R9V3	NOMINAL	1200	1.00	1.00
	LOW	1068	0.98	0.98
	HIGH	1373	1.02	1.01
2TXCB042AC3+*DD080R9V3	NOMINAL	1200	1.00	1.00
	LOW	989	0.98	0.98
	HIGH	1271	1.02	1.01



Performance Data Cooling

2TWA3036A3/4

CORRECTION FACTORS FOR OTHER COMBINATIONS (MULTIPLY DATA BY FACTOR)

INDOOR MODEL		CFM	MBTUH TOT	MBTUH SEN	SYST KW
2TXCB042AC3+*DY060R9V3	NOMINAL	1200	1.00	1.00	1.00
	LOW	954	0.98	0.98	0.99
	HIGH	1226	1.02	1.02	1.01
2TXCB042AC3+*DY080R9V3	NOMINAL	1200	1.00	1.00	1.00
	LOW	963	0.98	0.98	0.99
	HIGH	1238	1.02	1.02	1.01
2TXCB042AC3+*UD060R9V3	NOMINAL	1200	1.00	1.00	1.00
	LOW	1050	0.98	0.98	0.99
	HIGH	1350	1.02	1.02	1.01
2TXCB042AC3+*UD080R9V3	NOMINAL	1200	1.00	1.00	1.00
	LOW	1050	0.98	0.98	0.99
	HIGH	1350	1.02	1.02	1.01
2TXCB042AC3+*UD080R9V4	NOMINAL	1200	1.00	1.00	1.00
	LOW	1033	0.98	0.98	0.99
	HIGH	1328	1.02	1.02	1.01
2TXCB042AC3+*UD100R9V3	NOMINAL	1200	1.00	1.00	1.00
	LOW	1094	0.98	0.98	0.99
	HIGH	1406	1.02	1.02	1.01
2TXCB042AC3+*UY060R9V3	NOMINAL	1200	1.00	1.00	1.00
	LOW	945	0.98	0.98	0.99
	HIGH	1215	1.02	1.02	1.01
2TXCB042AC3+*UY080R9V3	NOMINAL	1200	1.00	1.00	1.00
	LOW	901	0.98	0.98	0.99
	HIGH	1159	1.02	1.02	1.01
2TXCB048AC3	NOMINAL	1200	1.00	1.00	1.00
	LOW	1050	0.98	0.98	0.99
	HIGH	1350	1.02	1.02	1.01
2TXCB048AC3+*DD060R9V3	NOMINAL	1200	1.00	1.00	1.00
	LOW	1041	0.98	0.98	0.99
	HIGH	1339	1.02	1.02	1.01
2TXCB048AC3+*DD080R9V3	NOMINAL	1200	1.00	1.00	1.00
	LOW	1006	0.98	0.98	0.99
	HIGH	1294	1.02	1.02	1.01
2TXCB048AC3+*DY060R9V3	NOMINAL	1200	1.00	1.00	1.00
	LOW	919	0.98	0.98	0.99
	HIGH	1181	1.02	1.02	1.01
2TXCB048AC3+*DY080R9V3	NOMINAL	1200	1.00	1.00	1.00
	LOW	954	0.98	0.98	0.99
	HIGH	1226	1.02	1.02	1.01
2TXCB048AC3+*UD060R9V3	NOMINAL	1200	1.00	1.00	1.00
	LOW	1050	0.98	0.98	0.99
	HIGH	1350	1.02	1.02	1.01
2TXCB048AC3+*UD080R9V3	NOMINAL	1200	1.00	1.00	1.00
	LOW	1050	0.98	0.98	0.99
	HIGH	1350	1.02	1.02	1.01
2TXCB048AC3+*UD080R9V4	NOMINAL	1200	1.00	1.00	1.00
	LOW	1024	0.98	0.98	0.99
	HIGH	1316	1.02	1.02	1.01
2TXCB048AC3+*UD100R9V3	NOMINAL	1200	1.00	1.00	1.00
	LOW	1050	0.98	0.98	0.99
	HIGH	1350	1.02	1.02	1.01
2TXCB048AC3+*UY060R9V3	NOMINAL	1200	1.00	1.00	1.00
	LOW	910	0.98	0.98	0.99
	HIGH	1170	1.02	1.02	1.01
2TXCB048AC3+*UY080R9V3	NOMINAL	1200	1.00	1.00	1.00
	LOW	893	0.98	0.98	0.99
	HIGH	1148	1.02	1.02	1.01
2TXCC037AC3	NOMINAL	1200	1.00	1.00	1.00
	LOW	1050	0.98	0.98	0.99
	HIGH	1350	1.02	1.02	1.01
2TXCC037AC3+*DY100R9V4	NOMINAL	1200	1.00	1.00	1.00
	LOW	919	0.98	0.98	0.99
	HIGH	1181	1.02	1.02	1.01

CORRECTION FACTORS FOR OTHER COMBINATIONS (MULTIPLY DATA BY FACTOR)

INDOOR MODEL		CFM	MBTUH TOT	MBTUH SEN	SYST KW
2TXCC037AC3+*UY100R9V4	NOMINAL	1200	1.00	1.00	1.00
	LOW	919	0.98	0.98	0.99
	HIGH	1181	1.02	1.02	1.01
2TXCC037AS3	NOMINAL	1200	1.00	1.00	1.00
	LOW	1050	0.98	0.98	0.99
	HIGH	1350	1.02	1.02	1.01
2TXCC037AS3+*DY100R9V4	NOMINAL	1200	1.00	1.00	1.00
	LOW	919	0.98	0.98	0.99
	HIGH	1181	1.02	1.02	1.01
2TXCC037AS3+*UY100R9V4	NOMINAL	1200	1.00	1.00	1.00
	LOW	919	0.98	0.98	0.99
	HIGH	1181	1.02	1.02	1.01
2TXCC043AC3	NOMINAL	1200	1.00	1.00	1.00
	LOW	1050	0.98	0.98	0.99
	HIGH	1350	1.02	1.02	1.01
2TXCC043AC3+*DY100R9V4	NOMINAL	1200	1.00	1.00	1.00
	LOW	919	0.98	0.98	0.99
	HIGH	1181	1.02	1.02	1.01
2TXCC043AC3+*UY100R9V4	NOMINAL	1200	1.00	1.00	1.00
	LOW	919	0.98	0.98	0.99
	HIGH	1181	1.02	1.02	1.01
2TXCC054AS3	NOMINAL	1200	1.00	1.00	1.00
	LOW	1050	0.98	0.98	0.99
	HIGH	1350	1.02	1.02	1.01
2TXCC054AS3+*DY100R9V4	NOMINAL	1200	1.00	1.00	1.00
	LOW	919	0.98	0.98	0.99
	HIGH	1181	1.02	1.02	1.01
2TXCC054AS3+*UY100R9V4	NOMINAL	1200	1.00	1.00	1.00
	LOW	919	0.98	0.98	0.99
	HIGH	1181	1.02	1.02	1.01
2TXFH033AS3	NOMINAL	1200	1.00	1.00	1.00
	LOW	1050	0.98	0.98	0.99
	HIGH	1350	1.02	1.02	1.01
2TXFH033AS3+*DD060R9V3	NOMINAL	1200	1.00	1.00	1.00
	LOW	1059	0.98	0.98	0.99
	HIGH	1361	1.02	1.02	1.01
2TXFH033AS3+*DD080R9V3	NOMINAL	1200	1.00	1.00	1.00
	LOW	989	0.98	0.98	0.99
	HIGH	1271	1.02	1.02	1.01
2TXFH033AS3+*DY060R9V3	NOMINAL	1200	1.00	1.00	1.00
	LOW	936	0.98	0.98	0.99
	HIGH	1204	1.02	1.02	1.01
2TXFH033AS3+*DY080R9V3	NOMINAL	1200	1.00	1.00	1.00
	LOW	971	0.98	0.98	0.99
	HIGH	1249	1.02	1.02	1.01
2TXFH033AS3+*DY100R9V4	NOMINAL	1200	1.00	1.00	1.00
	LOW	919	0.98	0.98	0.99
	HIGH	1181	1.02	1.02	1.01
2TXFH033AS3+*UD060R9V3	NOMINAL	1200	1.00	1.00	1.00
	LOW	1059	0.98	0.98	0.99
	HIGH	1361	1.02	1.02	1.01
2TXFH033AS3+*UD080R9V3	NOMINAL	1200	1.00	1.00	1.00
	LOW	1050	0.98	0.98	0.99
	HIGH	1350	1.02	1.02	1.01
2TXFH033AS3+*UD080R9V4	NOMINAL	1200	1.00	1.00	1.00
	LOW	1033	0.98	0.98	0.99
	HIGH	1328	1.02	1.02	1.01
2TXFH033AS3+*UY060R9V3	NOMINAL	1200	1.00	1.00	1.00
	LOW	936	0.98	0.98	0.99
	HIGH	1204	1.02	1.02	1.01
2TXFH033AS3+*UY080R9V3	NOMINAL	1200	1.00	1.00	1.00
	LOW	901	0.98	0.98	0.99
	HIGH	1159	1.02	1.02	1.01



Performance Data Cooling

2TWA3036A3/4

CORRECTION FACTORS FOR OTHER COMBINATIONS (MULTIPLY DATA BY FACTOR)

INDOOR MODEL		CFM	MBTUH TOT	MBTUH SEN	SYST KW
2TXFH033AS3+*UY100R9V4	NOMINAL	1200	1.00	1.00	1.00
	LOW	919	0.98	0.98	0.99
	HIGH	1181	1.02	1.02	1.01
2TXFH041AS3	NOMINAL	1200	1.00	1.00	1.00
	LOW	1050	0.98	0.98	0.99
	HIGH	1350	1.02	1.02	1.01
2TXFH041AS3+*DD060R9V3	NOMINAL	1200	1.00	1.00	1.00
	LOW	1059	0.98	0.98	0.99
	HIGH	1361	1.02	1.02	1.01
2TXFH041AS3+*DD080R9V3	NOMINAL	1200	1.00	1.00	1.00
	LOW	998	0.98	0.98	0.99
	HIGH	1283	1.02	1.02	1.01
2TXFH041AS3+*DY060R9V3	NOMINAL	1200	1.00	1.00	1.00
	LOW	936	0.98	0.98	0.99
	HIGH	1204	1.02	1.02	1.01
2TXFH041AS3+*DY080R9V3	NOMINAL	1200	1.00	1.00	1.00
	LOW	971	0.98	0.98	0.99
	HIGH	1249	1.02	1.02	1.01
2TXFH041AS3+*DY100R9V4	NOMINAL	1200	1.00	1.00	1.00
	LOW	928	0.98	0.98	0.99
	HIGH	1193	1.02	1.02	1.01
2TXFH041AS3+*UD060R9V3	NOMINAL	1200	1.00	1.00	1.00
	LOW	1059	0.98	0.98	0.99
	HIGH	1361	1.02	1.02	1.01
2TXFH041AS3+*UD080R9V3	NOMINAL	1200	1.00	1.00	1.00
	LOW	1050	0.98	0.98	0.99
	HIGH	1350	1.02	1.02	1.01
2TXFH041AS3+*UD080R9V4	NOMINAL	1200	1.00	1.00	1.00
	LOW	1033	0.98	0.98	0.99
	HIGH	1328	1.02	1.02	1.01
2TXFH041AS3+*UD100R9V3	NOMINAL	1200	1.00	1.00	1.00
	LOW	1076	0.98	0.98	0.99
	HIGH	1384	1.02	1.02	1.01
2TXFH041AS3+*UY060R9V3	NOMINAL	1200	1.00	1.00	1.00
	LOW	928	0.98	0.98	0.99
	HIGH	1193	1.02	1.02	1.01
2TXFH041AS3+*UY080R9V3	NOMINAL	1200	1.00	1.00	1.00
	LOW	901	0.98	0.98	0.99
	HIGH	1159	1.02	1.02	1.01
2TXFH041AS3+*UY100R9V4	NOMINAL	1200	1.00	1.00	1.00
	LOW	919	0.98	0.98	0.99
	HIGH	1181	1.02	1.02	1.01
TWE031E13	NOMINAL	1200	1.00	1.00	1.00
	LOW	1068	0.98	0.98	0.99
	HIGH	1373	1.02	1.02	1.01
TWE036C14+TAYTXVH-3	NOMINAL	1200	1.00	1.00	1.00
	LOW	1050	0.98	0.98	0.99
	HIGH	1350	1.02	1.02	1.01
TWE036P13	NOMINAL	1200	1.00	1.00	1.00
	LOW	1050	0.98	0.98	0.99
	HIGH	1350	1.02	1.02	1.01
TWE037E13	NOMINAL	1200	1.00	1.00	1.00
	LOW	1015	0.98	0.98	0.99
	HIGH	1305	1.02	1.02	1.01
TWE040E13	NOMINAL	1200	1.00	1.00	1.00
	LOW	1050	0.98	0.98	0.99
	HIGH	1350	1.02	1.02	1.01
TWE042C14+TAYTXVH-3	NOMINAL	1200	1.00	1.00	1.00
	LOW	1050	0.98	0.98	0.99
	HIGH	1350	1.02	1.02	1.01
TWE042P13	NOMINAL	1200	1.00	1.00	1.00
	LOW	1050	0.98	0.98	0.99
	HIGH	1350	1.02	1.02	1.01

CORRECTION FACTORS FOR OTHER COMBINATIONS (MULTIPLY DATA BY FACTOR)

INDOOR MODEL		CFM	MBTUH TOT	MBTUH SEN	SYST KW
TWE049E13	NOMINAL	1200	1.00	1.00	1.00
	LOW	1050	0.98	0.98	0.99
	HIGH	1350	1.02	1.02	1.01
TWG042A14+TAYTXVH-3	NOMINAL	1200	1.00	1.00	1.00
	LOW	1050	0.98	0.98	0.99
	HIGH	1350	1.02	1.02	1.01
TXA036C4+TAYTXVH-3	NOMINAL	1200	1.00	1.00	1.00
	LOW	1050	0.98	0.98	0.99
	HIGH	1350	1.02	1.02	1.01
TXA037C4+TAYTXVH-3	NOMINAL	1200	1.00	1.00	1.00
	LOW	1050	0.98	0.98	0.99
	HIGH	1350	1.02	1.02	1.01
TXA042C4+TAYTXVH-3	NOMINAL	1200	1.00	1.00	1.00
	LOW	1050	0.98	0.98	0.99
	HIGH	1350	1.02	1.02	1.01
TXA043C4+TAYTXVH-3	NOMINAL	1200	1.00	1.00	1.00
	LOW	1050	0.98	0.98	0.99
	HIGH	1350	1.02	1.02	1.01
TXC031C4+TAYTXVH-3	NOMINAL	1200	1.00	1.00	1.00
	LOW	963	0.98	0.98	0.99
	HIGH	1238	1.02	1.02	1.01
TXC031D4+TAYTXVH-3	NOMINAL	1200	1.00	1.00	1.00
	LOW	963	0.98	0.98	0.99
	HIGH	1238	1.02	1.02	1.01
TXC036C4+TAYTXVH-3	NOMINAL	1200	1.00	1.00	1.00
	LOW	1050	0.98	0.98	0.99
	HIGH	1350	1.02	1.02	1.01
TXC036D4+TAYTXVH-3	NOMINAL	1200	1.00	1.00	1.00
	LOW	1050	0.98	0.98	0.99
	HIGH	1350	1.02	1.02	1.01
TXC036S3	NOMINAL	1200	1.00	1.00	1.00
	LOW	1050	0.98	0.98	0.99
	HIGH	1350	1.02	1.02	1.01
TXC036S3+*DD060R9V3	NOMINAL	1200	1.00	1.00	1.00
	LOW	1068	0.98	0.98	0.99
	HIGH	1373	1.02	1.02	1.01
TXC036S3+*DD080R9V3	NOMINAL	1200	1.00	1.00	1.00
	LOW	989	0.98	0.98	0.99
	HIGH	1271	1.02	1.02	1.01
TXC036S3+*DY060R9V3	NOMINAL	1200	1.00	1.00	1.00
	LOW	954	0.98	0.98	0.99
	HIGH	1226	1.02	1.02	1.01
TXC036S3+*DY080R9V3	NOMINAL	1200	1.00	1.00	1.00
	LOW	963	0.98	0.98	0.99
	HIGH	1238	1.02	1.02	1.01
TXC036S3+*UD060R9V3	NOMINAL	1200	1.00	1.00	1.00
	LOW	1050	0.98	0.98	0.99
	HIGH	1350	1.02	1.02	1.01
TXC036S3+*UD080R9V3	NOMINAL	1200	1.00	1.00	1.00
	LOW	1050	0.98	0.98	0.99
	HIGH	1350	1.02	1.02	1.01
TXC036S3+*UD080R9V4	NOMINAL	1200	1.00	1.00	1.00
	LOW	1033	0.98	0.98	0.99
	HIGH	1328	1.02	1.02	1.01
TXC036S3+*UD100R9V3	NOMINAL	1200	1.00	1.00	1.00
	LOW	1094	0.98	0.98	0.99
	HIGH	1406	1.02	1.02	1.01
TXC036S3+*UY060R9V3	NOMINAL	1200	1.00	1.00	1.00
	LOW	945	0.98	0.98	0.99
	HIGH	1215	1.02	1.02	1.01
TXC036S3+*UY080R9V3	NOMINAL	1200	1.00	1.00	1.00
	LOW	901	0.98	0.98	0.99
	HIGH	1159	1.02	1.02	1.01



Performance Data Cooling

2TWA3036A3/4

CORRECTION FACTORS FOR OTHER COMBINATIONS (MULTIPLY DATA BY FACTOR)

INDOOR MODEL		CFM	MBTUH TOT	MBTUH SEN	SYST KW
TXC037C4+TAYTXVH-3	NOMINAL	1200	1.00	1.00	1.00
	LOW	1050	0.98	0.98	0.99
	HIGH	1350	1.02	1.02	1.01
TXC037S3	NOMINAL	1200	1.00	1.00	1.00
	LOW	1050	0.98	0.98	0.99
	HIGH	1350	1.02	1.02	1.01
TXC037S3+*DY100R9V4	NOMINAL	1200	1.00	1.00	1.00
	LOW	919	0.98	0.98	0.99
	HIGH	1181	1.02	1.02	1.01
TXC037S3+*UY100R9V4	NOMINAL	1200	1.00	1.00	1.00
	LOW	919	0.98	0.98	0.99
	HIGH	1181	1.02	1.02	1.01
TXC042C4+TAYTXVH-3	NOMINAL	1200	1.00	1.00	1.00
	LOW	1050	0.98	0.98	0.99
	HIGH	1350	1.02	1.02	1.01
TXC043C4+TAYTXVH-3	NOMINAL	1200	1.00	1.00	1.00
	LOW	1050	0.98	0.98	0.99
	HIGH	1350	1.02	1.02	1.01
TXC054S3	NOMINAL	1200	1.00	1.00	1.00
	LOW	1050	0.98	0.98	0.99
	HIGH	1350	1.02	1.02	1.01
TXC054S3+*DY100R9V4	NOMINAL	1200	1.00	1.00	1.00
	LOW	919	0.98	0.98	0.99
	HIGH	1181	1.02	1.02	1.01
TXC054S3+*UY100R9V4	NOMINAL	1200	1.00	1.00	1.00
	LOW	919	0.98	0.98	0.99
	HIGH	1181	1.02	1.02	1.01
TXH033A4+TAYTXVH-3	NOMINAL	1200	1.00	1.00	1.00
	LOW	1050	0.98	0.98	0.99
	HIGH	1350	1.02	1.02	1.01
TXH033A4+TAYTXVH-3+*DD060R9V3	NOMINAL	1200	1.00	1.00	1.00
	LOW	1059	0.98	0.98	0.99
	HIGH	1361	1.02	1.02	1.01
TXH033A4+TAYTXVH-3+*DD080R9V3	NOMINAL	1200	1.00	1.00	1.00
	LOW	989	0.98	0.98	0.99
	HIGH	1271	1.02	1.02	1.01
TXH033A4+TAYTXVH-3+*DD100R9V5	NOMINAL	1200	1.00	1.00	1.00
	LOW	1033	0.98	0.98	0.99
	HIGH	1328	1.02	1.02	1.01
TXH033A4+TAYTXVH-3+*DY060R9V3	NOMINAL	1200	1.00	1.00	1.00
	LOW	936	0.98	0.98	0.99
	HIGH	1204	1.02	1.02	1.01
TXH033A4+TAYTXVH-3+*DY080R9V3	NOMINAL	1200	1.00	1.00	1.00
	LOW	971	0.98	0.98	0.99
	HIGH	1249	1.02	1.02	1.01
TXH033A4+TAYTXVH-3+*DY100R9V4	NOMINAL	1200	1.00	1.00	1.00
	LOW	919	0.98	0.98	0.99
	HIGH	1181	1.02	1.02	1.01
TXH033A4+TAYTXVH-3+*UD060R9V3	NOMINAL	1200	1.00	1.00	1.00
	LOW	1059	0.98	0.98	0.99
	HIGH	1361	1.02	1.02	1.01
TXH033A4+TAYTXVH-3+*UD080R9V3	NOMINAL	1200	1.00	1.00	1.00
	LOW	1050	0.98	0.98	0.99
	HIGH	1350	1.02	1.02	1.01
TXH033A4+TAYTXVH-3+*UD080R9V4	NOMINAL	1200	1.00	1.00	1.00
	LOW	1033	0.98	0.98	0.99
	HIGH	1328	1.02	1.02	1.01

CORRECTION FACTORS FOR OTHER COMBINATIONS (MULTIPLY DATA BY FACTOR)

INDOOR MODEL		CFM	MBTUH TOT	MBTUH SEN	SYST KW
TXH033A4+TAYTXVH-3+*UD100R9V5	NOMINAL	1200	1.00	1.00	1.00
	LOW	1059	0.98	0.98	0.99
	HIGH	1361	1.02	1.02	1.01
TXH033A4+TAYTXVH-3+*UY060R9V3	NOMINAL	1200	1.00	1.00	1.00
	LOW	936	0.98	0.98	0.99
	HIGH	1204	1.02	1.02	1.01
TXH033A4+TAYTXVH-3+*UY080R9V3	NOMINAL	1200	1.00	1.00	1.00
	LOW	901	0.98	0.98	0.99
	HIGH	1159	1.02	1.02	1.01
TXH033A4+TAYTXVH-3+*UY100R9V4	NOMINAL	1200	1.00	1.00	1.00
	LOW	919	0.98	0.98	0.99
	HIGH	1181	1.02	1.02	1.01
TXH041A4+TAYTXVH-3	NOMINAL	1200	1.00	1.00	1.00
	LOW	1050	0.98	0.98	0.99
	HIGH	1350	1.02	1.02	1.01
TXH041A4+TAYTXVH-3+*DD060R9V3	NOMINAL	1200	1.00	1.00	1.00
	LOW	1059	0.98	0.98	0.99
	HIGH	1361	1.02	1.02	1.01
TXH041A4+TAYTXVH-3+*DD080R9V3	NOMINAL	1200	1.00	1.00	1.00
	LOW	998	0.98	0.98	0.99
	HIGH	1283	1.02	1.02	1.01
TXH041A4+TAYTXVH-3+*DD100R9V5	NOMINAL	1200	1.00	1.00	1.00
	LOW	1033	0.98	0.98	0.99
	HIGH	1328	1.02	1.02	1.01
TXH041A4+TAYTXVH-3+*DY060R9V3	NOMINAL	1200	1.00	1.00	1.00
	LOW	936	0.98	0.98	0.99
	HIGH	1204	1.02	1.02	1.01
TXH041A4+TAYTXVH-3+*DY080R9V3	NOMINAL	1200	1.00	1.00	1.00
	LOW	971	0.98	0.98	0.99
	HIGH	1249	1.02	1.02	1.01
TXH041A4+TAYTXVH-3+*DY100R9V4	NOMINAL	1200	1.00	1.00	1.00
	LOW	928	0.98	0.98	0.99
	HIGH	1193	1.02	1.02	1.01
TXH041A4+TAYTXVH-3+*UD060R9V3	NOMINAL	1200	1.00	1.00	1.00
	LOW	1059	0.98	0.98	0.99
	HIGH	1361	1.02	1.02	1.01
TXH041A4+TAYTXVH-3+*UD080R9V3	NOMINAL	1200	1.00	1.00	1.00
	LOW	1050	0.98	0.98	0.99
	HIGH	1350	1.02	1.02	1.01
TXH041A4+TAYTXVH-3+*UD080R9V4	NOMINAL	1200	1.00	1.00	1.00
	LOW	1033	0.98	0.98	0.99
	HIGH	1328	1.02	1.02	1.01
TXH041A4+TAYTXVH-3+*UD100R9V3	NOMINAL	1200	1.00	1.00	1.00
	LOW	1076	0.98	0.98	0.99
	HIGH	1384	1.02	1.02	1.01
TXH041A4+TAYTXVH-3+*UD100R9V5	NOMINAL	1200	1.00	1.00	1.00
	LOW	1059	0.98	0.98	0.99
	HIGH	1361	1.02	1.02	1.01
TXH041A4+TAYTXVH-3+*UY060R9V3	NOMINAL	1200	1.00	1.00	1.00
	LOW	928	0.98	0.98	0.99
	HIGH	1193	1.02	1.02	1.01
TXH041A4+TAYTXVH-3+*UY080R9V3	NOMINAL	1200	1.00	1.00	1.00
	LOW	901	0.98	0.98	0.99
	HIGH	1159	1.02	1.02	1.01
TXH041A4+TAYTXVH-3+*UY100R9V4	NOMINAL	1200	1.00	1.00	1.00
	LOW	919	0.98	0.98	0.99
	HIGH	1181	1.02	1.02	1.01



Performance Data Cooling

2TWA3042A3/4

2TWA3042A3/4 WITH 2TEC3F42A1 AT 1400 CFM

O.D. D.B.	I.D. W.B.	TOT. CAP.	SENS. CAP. AT ENTERING D.B. TEMP.				TOTAL KW
			72	75	78	80	
85	59	37.9	25.1	30.1	35.1	37.9	3.16
	63	39.5	23.0	27.6	32.2	35.2	3.18
	67	42.6	19.8	23.9	27.8	30.4	3.23
	71	46.0	16.5	19.8	23.1	25.2	3.26
95	59	35.6	24.0	28.9	33.7	35.6	3.40
	63	37.1	22.1	26.5	30.9	33.8	3.42
	67	40.0	19.0	22.9	26.7	29.2	3.48
	71	43.1	15.8	19.0	22.1	24.2	3.51
105	59	33.2	22.9	27.6	32.2	33.2	3.64
	63	34.7	21.0	25.3	29.5	32.3	3.67
	67	37.4	18.2	21.8	25.5	27.8	3.73
	71	40.3	15.1	18.1	21.1	23.1	3.76
115	59	30.9	21.8	26.2	30.5	30.9	3.89
	63	32.2	20.0	24.0	28.0	30.6	3.91
	67	34.7	17.2	20.7	24.2	26.4	3.98
	71	37.5	14.3	17.2	20.0	21.9	4.02

CORRECTION FACTORS FOR OTHER AIRFLOWS (MULTIPLY DATA BY FACTOR)

AIRFLOW	TOTAL CAPACITY	SENSIBLE CAPACITY
LOW	1225	0.98
HIGH	1575	1.02

NOTE: ALL TABLES ABOVE ARE AT ARI RATING CONDITIONS RATED WITH 25 FEET OF REFRIGERANT LINES.
* DRY COIL CONDITION (TOTAL CAPACITY = SENSIBLE CAPACITY)
TOTAL CAPACITY, COMP. KW AND APP. DEW PT. ARE VALID ONLY FOR WET COIL. ALL TEMPERATURES IN DEGREES F.

CORRECTION FACTORS FOR OTHER COMBINATIONS (MULTIPLY DATA BY FACTOR)

INDOOR MODEL	CFM	MBTUH TOT	MBTUH SEN	SYST KW
2TEC3F48A1	NOMINAL	1400	1.00	1.00
	LOW	1225	0.98	0.98
	HIGH	1575	1.02	1.01
2TEP3F48B1	NOMINAL	1400	1.00	1.00
	LOW	1225	0.98	0.98
	HIGH	1575	1.02	1.01
2TGB3F42A1	NOMINAL	1400	1.00	1.00
	LOW	1225	0.98	0.98
	HIGH	1575	1.02	1.01
2TGB3F48A1	NOMINAL	1400	1.00	1.00
	LOW	1225	0.98	0.98
	HIGH	1575	1.02	1.01
2TXCB036AS3	NOMINAL	1400	1.00	1.00
	LOW	1120	0.98	0.98
	HIGH	1440	1.02	1.01
2TXCB036AS3+*UD080R9V4	NOMINAL	1400	1.00	1.00
	LOW	1225	0.98	0.98
	HIGH	1575	1.02	1.01
2TXCB042AC3	NOMINAL	1400	1.00	1.00
	LOW	1094	0.98	0.98
	HIGH	1406	1.02	1.01
2TXCB042AC3+*UD080R9V4	NOMINAL	1400	1.00	1.00
	LOW	1225	0.98	0.98
	HIGH	1575	1.02	1.01
2TXCB048AC3	NOMINAL	1400	1.00	1.00
	LOW	1225	0.98	0.98
	HIGH	1575	1.02	1.01
2TXCB048AC3+*UD080R9V4	NOMINAL	1400	1.00	1.00
	LOW	1216	0.98	0.98
	HIGH	1564	1.02	1.01
2TXCC037AS3	NOMINAL	1400	1.00	1.00
	LOW	1225	0.98	0.98
	HIGH	1575	1.02	1.01

CORRECTION FACTORS FOR OTHER COMBINATIONS (MULTIPLY DATA BY FACTOR)

INDOOR MODEL	CFM	MBTUH TOT	MBTUH SEN	SYST KW
2TXCC037AS3+*DD100R9V5	NOMINAL	1400	1.00	1.00
	LOW	1234	0.98	0.98
	HIGH	1586	1.02	1.01
2TXCC037AS3+*DY100R9V4	NOMINAL	1400	1.00	1.00
	LOW	1076	0.98	0.98
	HIGH	1384	1.02	1.01
2TXCC037AS3+*UY100R9V4	NOMINAL	1400	1.00	1.00
	LOW	1068	0.98	0.98
	HIGH	1373	1.02	1.01
2TXCC043AC3	NOMINAL	1400	1.00	1.00
	LOW	1225	0.98	0.98
	HIGH	1575	1.02	1.01
2TXCC043AC3+*DY100R9V4	NOMINAL	1400	1.00	1.00
	LOW	1076	0.98	0.98
	HIGH	1384	1.02	1.01
2TXCC043AC3+*UY100R9V4	NOMINAL	1400	1.00	1.00
	LOW	1068	0.98	0.98
	HIGH	1373	1.02	1.01
2TXCC049AC3	NOMINAL	1400	1.00	1.00
	LOW	1225	0.98	0.98
	HIGH	1575	1.02	1.01
2TXCC049AC3+*DY100R9V4	NOMINAL	1400	1.00	1.00
	LOW	1076	0.98	0.98
	HIGH	1384	1.02	1.01
2TXCC049AC3+*UY100R9V4	NOMINAL	1400	1.00	1.00
	LOW	1068	0.98	0.98
	HIGH	1373	1.02	1.01
2TXCC054AS3	NOMINAL	1400	1.00	1.00
	LOW	1225	0.98	0.98
	HIGH	1575	1.02	1.01
2TXCC054AS3+*DD100R9V5	NOMINAL	1400	1.00	1.00
	LOW	1243	0.98	0.98
	HIGH	1598	1.02	1.01
2TXCC054AS3+*DY100R9V4	NOMINAL	1400	1.00	1.00
	LOW	1076	0.98	0.98
	HIGH	1384	1.02	1.01
2TXCC054AS3+*UD100R9V5	NOMINAL	1400	1.00	1.00
	LOW	1286	0.98	0.98
	HIGH	1654	1.02	1.01
2TXCC054AS3+*UY100R9V4	NOMINAL	1400	1.00	1.00
	LOW	1076	0.98	0.98
	HIGH	1384	1.02	1.01
2TXCC060AC3	NOMINAL	1400	1.00	1.00
	LOW	1225	0.98	0.98
	HIGH	1575	1.02	1.01
2TXCC060AC3+*DY100R9V4	NOMINAL	1400	1.00	1.00
	LOW	1076	0.98	0.98
	HIGH	1384	1.02	1.01
2TXCC060AC3+*UY100R9V4	NOMINAL	1400	1.00	1.00
	LOW	1076	0.98	0.98
	HIGH	1384	1.02	1.01
2TXCD050AC3	NOMINAL	1400	1.00	1.00
	LOW	1225	0.98	0.98
	HIGH	1575	1.02	1.01
2TXCD050AC3+*DD120R9V5	NOMINAL	1400	1.00	1.00
	LOW	1234	0.98	0.98
	HIGH	1586	1.02	1.01
2TXCD050AC3+*DY120R9V5	NOMINAL	1400	1.00	1.00
	LOW	1068	0.98	0.98
	HIGH	1373	1.02	1.01
2TXCD050AC3+*UD120R9V5	NOMINAL	1400	1.00	1.00
	LOW	1216	0.98	0.98
	HIGH	1564	1.02	1.01



Performance Data Cooling

2TWA3042A3/4

CORRECTION FACTORS FOR OTHER COMBINATIONS (MULTIPLY DATA BY FACTOR)

INDOOR MODEL		CFM	MBTUH TOT	MBTUH SEN	SYST KW
2TXCD050AC3+*UD140R9V5	NOMINAL	1400	1.00	1.00	1.00
	LOW	1208	0.98	0.98	0.99
	HIGH	1553	1.02	1.02	1.01
2TXCD050AC3+*UY120R9V5	NOMINAL	1400	1.00	1.00	1.00
	LOW	1059	0.98	0.98	0.99
	HIGH	1361	1.02	1.02	1.01
2TXCD065AS3	NOMINAL	1400	1.00	1.00	1.00
	LOW	1225	0.98	0.98	0.99
	HIGH	1575	1.02	1.02	1.01
2TXCD065AS3+*DD120R9V5	NOMINAL	1400	1.00	1.00	1.00
	LOW	1243	0.98	0.98	0.99
	HIGH	1598	1.02	1.02	1.01
2TXCD065AS3+*DY120R9V5	NOMINAL	1400	1.00	1.00	1.00
	LOW	1059	0.98	0.98	0.99
	HIGH	1361	1.02	1.02	1.01
2TXCD065AS3+*UD120R9V5	NOMINAL	1400	1.00	1.00	1.00
	LOW	1225	0.98	0.98	0.99
	HIGH	1575	1.02	1.02	1.01
2TXCD065AS3+*UD140R9V5	NOMINAL	1400	1.00	1.00	1.00
	LOW	1216	0.98	0.98	0.99
	HIGH	1564	1.02	1.02	1.01
2TXCD065AS3+*UY120R9V5	NOMINAL	1400	1.00	1.00	1.00
	LOW	1059	0.98	0.98	0.99
	HIGH	1361	1.02	1.02	1.01
2TXFH041AS3	NOMINAL	1400	1.00	1.00	1.00
	LOW	1225	0.98	0.98	0.99
	HIGH	1575	1.02	1.02	1.01
2TXFH041AS3+*DD100R9V5	NOMINAL	1400	1.00	1.00	1.00
	LOW	1234	0.98	0.98	0.99
	HIGH	1586	1.02	1.02	1.01
2TXFH041AS3+*DD120R9V5	NOMINAL	1400	1.00	1.00	1.00
	LOW	1234	0.98	0.98	0.99
	HIGH	1586	1.02	1.02	1.01
2TXFH041AS3+*DY100R9V4	NOMINAL	1400	1.00	1.00	1.00
	LOW	1076	0.98	0.98	0.99
	HIGH	1384	1.02	1.02	1.01
2TXFH041AS3+*DY120R9V5	NOMINAL	1400	1.00	1.00	1.00
	LOW	1068	0.98	0.98	0.99
	HIGH	1373	1.02	1.02	1.01
2TXFH041AS3+*UD080R9V4	NOMINAL	1400	1.00	1.00	1.00
	LOW	1225	0.98	0.98	0.99
	HIGH	1575	1.02	1.02	1.01
2TXFH041AS3+*UD100R9V5	NOMINAL	1400	1.00	1.00	1.00
	LOW	1278	0.98	0.98	0.99
	HIGH	1643	1.02	1.02	1.01
2TXFH041AS3+*UD120R9V5	NOMINAL	1400	1.00	1.00	1.00
	LOW	1216	0.98	0.98	0.99
	HIGH	1564	1.02	1.02	1.01
2TXFH041AS3+*UD140R9V5	NOMINAL	1400	1.00	1.00	1.00
	LOW	1208	0.98	0.98	0.99
	HIGH	1553	1.02	1.02	1.01
2TXFH041AS3+*UY100R9V4	NOMINAL	1400	1.00	1.00	1.00
	LOW	1068	0.98	0.98	0.99
	HIGH	1373	1.02	1.02	1.01
2TXFH041AS3+*UY120R9V5	NOMINAL	1400	1.00	1.00	1.00
	LOW	1059	0.98	0.98	0.99
	HIGH	1361	1.02	1.02	1.01
2TXFH054AS3	NOMINAL	1400	1.00	1.00	1.00
	LOW	1225	0.98	0.98	0.99
	HIGH	1575	1.02	1.02	1.01
2TXFH054AS3+*DD100R9V5	NOMINAL	1400	1.00	1.00	1.00
	LOW	1243	0.98	0.98	0.99
	HIGH	1598	1.02	1.02	1.01

CORRECTION FACTORS FOR OTHER COMBINATIONS (MULTIPLY DATA BY FACTOR)

INDOOR MODEL		CFM	MBTUH TOT	MBTUH SEN	SYST KW
2TXFH054AS3+*DD120R9V5	NOMINAL	1400	1.00	1.00	1.00
	LOW	1251	0.98	0.98	0.99
	HIGH	1609	1.02	1.02	1.01
2TXFH054AS3+*DY100R9V4	NOMINAL	1400	1.00	1.00	1.00
	LOW	1076	0.98	0.98	0.99
	HIGH	1384	1.02	1.02	1.01
2TXFH054AS3+*DY120R9V5	NOMINAL	1400	1.00	1.00	1.00
	LOW	1059	0.98	0.98	0.99
	HIGH	1361	1.02	1.02	1.01
2TXFH054AS3+*UD080R9V4	NOMINAL	1400	1.00	1.00	1.00
	LOW	1225	0.98	0.98	0.99
	HIGH	1575	1.02	1.02	1.01
2TXFH054AS3+*UD100R9V5	NOMINAL	1400	1.00	1.00	1.00
	LOW	1286	0.98	0.98	0.99
	HIGH	1654	1.02	1.02	1.01
2TXFH054AS3+*UD120R9V5	NOMINAL	1400	1.00	1.00	1.00
	LOW	1234	0.98	0.98	0.99
	HIGH	1586	1.02	1.02	1.01
2TXFH054AS3+*UD140R9V5	NOMINAL	1400	1.00	1.00	1.00
	LOW	1216	0.98	0.98	0.99
	HIGH	1564	1.02	1.02	1.01
2TXFH054AS3+*UY100R9V4	NOMINAL	1400	1.00	1.00	1.00
	LOW	1076	0.98	0.98	0.99
	HIGH	1384	1.02	1.02	1.01
2TXFH054AS3+*UY120R9V5	NOMINAL	1400	1.00	1.00	1.00
	LOW	1059	0.98	0.98	0.99
	HIGH	1361	1.02	1.02	1.01
2TXFH063AS3	NOMINAL	1400	1.00	1.00	1.00
	LOW	1225	0.98	0.98	0.99
	HIGH	1575	1.02	1.02	1.01
2TXFH063AS3+*DD100R9V5	NOMINAL	1400	1.00	1.00	1.00
	LOW	1234	0.98	0.98	0.99
	HIGH	1586	1.02	1.02	1.01
2TXFH063AS3+*DD120R9V5	NOMINAL	1400	1.00	1.00	1.00
	LOW	1234	0.98	0.98	0.99
	HIGH	1586	1.02	1.02	1.01
2TXFH063AS3+*DY100R9V4	NOMINAL	1400	1.00	1.00	1.00
	LOW	1076	0.98	0.98	0.99
	HIGH	1384	1.02	1.02	1.01
2TXFH063AS3+*DY120R9V5	NOMINAL	1400	1.00	1.00	1.00
	LOW	1068	0.98	0.98	0.99
	HIGH	1373	1.02	1.02	1.01
2TXFH063AS3+*UD080R9V4	NOMINAL	1400	1.00	1.00	1.00
	LOW	1225	0.98	0.98	0.99
	HIGH	1575	1.02	1.02	1.01
2TXFH063AS3+*UD100R9V5	NOMINAL	1400	1.00	1.00	1.00
	LOW	1278	0.98	0.98	0.99
	HIGH	1643	1.02	1.02	1.01
2TXFH063AS3+*UD120R9V5	NOMINAL	1400	1.00	1.00	1.00
	LOW	1225	0.98	0.98	0.99
	HIGH	1575	1.02	1.02	1.01
2TXFH063AS3+*UD140R9V5	NOMINAL	1400	1.00	1.00	1.00
	LOW	1208	0.98	0.98	0.99
	HIGH	1553	1.02	1.02	1.01
2TXFH063AS3+*UY100R9V4	NOMINAL	1400	1.00	1.00	1.00
	LOW	1068	0.98	0.98	0.99
	HIGH	1373	1.02	1.02	1.01
2TXFH063AS3+*UY120R9V5	NOMINAL	1400	1.00	1.00	1.00
	LOW	1059	0.98	0.98	0.99
	HIGH	1361	1.02	1.02	1.01
TWE037E13	NOMINAL	1400	1.00	1.00	1.00
	LOW	1190	0.98	0.98	0.99
	HIGH	1530	1.02	1.02	1.01



Performance Data Cooling

2TWA3042A3/4

CORRECTION FACTORS FOR OTHER COMBINATIONS (MULTIPLY DATA BY FACTOR)

INDOOR MODEL		CFM	MBTUH TOT	MBTUH SEN	SYST KW
TWE040E13	NOMINAL	1400	1.00	1.00	1.00
	LOW	1225	0.98	0.98	0.99
	HIGH	1575	1.02	1.02	1.01
TWE042P13	NOMINAL	1400	1.00	1.00	1.00
	LOW	1225	0.98	0.98	0.99
	HIGH	1575	1.02	1.02	1.01
TWE048P13	NOMINAL	1400	1.00	1.00	1.00
	LOW	1225	0.98	0.98	0.99
	HIGH	1575	1.02	1.02	1.01
TWE049E13	NOMINAL	1400	1.00	1.00	1.00
	LOW	1234	0.98	0.98	0.99
	HIGH	1586	1.02	1.02	1.01
TWE060P13	NOMINAL	1400	1.00	1.00	1.00
	LOW	1225	0.98	0.98	0.99
	HIGH	1575	1.02	1.02	1.01
TWG048A14+TAYTXVH-3	NOMINAL	1400	1.00	1.00	1.00
	LOW	1225	0.98	0.98	0.99
	HIGH	1575	1.02	1.02	1.01
TXA042C4+TAYTXVH-3	NOMINAL	1400	1.00	1.00	1.00
	LOW	1103	0.98	0.98	0.99
	HIGH	1418	1.02	1.02	1.01
TXA048C4+TAYTXVH-3	NOMINAL	1400	1.00	1.00	1.00
	LOW	1181	0.98	0.98	0.99
	HIGH	1519	1.02	1.02	1.01
TXC036S3	NOMINAL	1400	1.00	1.00	1.00
	LOW	1120	0.98	0.98	0.99
	HIGH	1440	1.02	1.02	1.01
TXC036S3+*UD080R9V4	NOMINAL	1400	1.00	1.00	1.00
	LOW	1225	0.98	0.98	0.99
	HIGH	1575	1.02	1.02	1.01
TXC037S3	NOMINAL	1400	1.00	1.00	1.00
	LOW	1225	0.98	0.98	0.99
	HIGH	1575	1.02	1.02	1.01
TXC037S3+*DD100R9V5	NOMINAL	1400	1.00	1.00	1.00
	LOW	1234	0.98	0.98	0.99
	HIGH	1586	1.02	1.02	1.01
TXC037S3+*DY100R9V4	NOMINAL	1400	1.00	1.00	1.00
	LOW	1076	0.98	0.98	0.99
	HIGH	1384	1.02	1.02	1.01
TXC037S3+*UY100R9V4	NOMINAL	1400	1.00	1.00	1.00
	LOW	1068	0.98	0.98	0.99
	HIGH	1373	1.02	1.02	1.01
TXC042C4+TAYTXVH-3	NOMINAL	1400	1.00	1.00	1.00
	LOW	1103	0.98	0.98	0.99
	HIGH	1418	1.02	1.02	1.01
TXC048C4+TAYTXVH-3	NOMINAL	1400	1.00	1.00	1.00
	LOW	1181	0.98	0.98	0.99
	HIGH	1519	1.02	1.02	1.01
TXC054S3	NOMINAL	1400	1.00	1.00	1.00
	LOW	1225	0.98	0.98	0.99
	HIGH	1575	1.02	1.02	1.01
TXC054S3+*DD100R9V5	NOMINAL	1400	1.00	1.00	1.00
	LOW	1243	0.98	0.98	0.99
	HIGH	1598	1.02	1.02	1.01
TXC054S3+*DY100R9V4	NOMINAL	1400	1.00	1.00	1.00
	LOW	1076	0.98	0.98	0.99
	HIGH	1384	1.02	1.02	1.01
TXC054S3+*UD100R9V5	NOMINAL	1400	1.00	1.00	1.00
	LOW	1286	0.98	0.98	0.99
	HIGH	1654	1.02	1.02	1.01
TXC054S3+*UY100R9V4	NOMINAL	1400	1.00	1.00	1.00
	LOW	1076	0.98	0.98	0.99
	HIGH	1384	1.02	1.02	1.01

CORRECTION FACTORS FOR OTHER COMBINATIONS (MULTIPLY DATA BY FACTOR)

INDOOR MODEL		CFM	MBTUH TOT	MBTUH SEN	SYST KW
TXC065S3	NOMINAL	1400	1.00	1.00	1.00
	LOW	1225	0.98	0.98	0.99
	HIGH	1575	1.02	1.02	1.01
TXC065S3+*DD120R9V5	NOMINAL	1400	1.00	1.00	1.00
	LOW	1243	0.98	0.98	0.99
	HIGH	1598	1.02	1.02	1.01
TXC065S3+*DY120R9V5	NOMINAL	1400	1.00	1.00	1.00
	LOW	1059	0.98	0.98	0.99
	HIGH	1361	1.02	1.02	1.01
TXC065S3+*UD120R9V5	NOMINAL	1400	1.00	1.00	1.00
	LOW	1225	0.98	0.98	0.99
	HIGH	1575	1.02	1.02	1.01
TXC065S3+*UD140R9V5	NOMINAL	1400	1.00	1.00	1.00
	LOW	1216	0.98	0.98	0.99
	HIGH	1564	1.02	1.02	1.01
TXC065S3+*UY120R9V5	NOMINAL	1400	1.00	1.00	1.00
	LOW	1059	0.98	0.98	0.99
	HIGH	1361	1.02	1.02	1.01
TXH041A4+TAYTXVH-3	NOMINAL	1400	1.00	1.00	1.00
	LOW	1225	0.98	0.98	0.99
	HIGH	1575	1.02	1.02	1.01
TXH041A4+TAYTXVH-3+*DD080R9V3	NOMINAL	1400	1.00	1.00	1.00
	LOW	1173	0.98	0.98	0.99
	HIGH	1508	1.02	1.02	1.01
TXH041A4+TAYTXVH-3+*DD100R9V5	NOMINAL	1400	1.00	1.00	1.00
	LOW	1234	0.98	0.98	0.99
	HIGH	1586	1.02	1.02	1.01
TXH041A4+TAYTXVH-3+*DD120R9V5	NOMINAL	1400	1.00	1.00	1.00
	LOW	1234	0.98	0.98	0.99
	HIGH	1586	1.02	1.02	1.01
TXH041A4+TAYTXVH-3+*DY120R9V5	NOMINAL	1400	1.00	1.00	1.00
	LOW	1068	0.98	0.98	0.99
	HIGH	1373	1.02	1.02	1.01
TXH041A4+TAYTXVH-3+*UD080R9V3	NOMINAL	1400	1.00	1.00	1.00
	LOW	1243	0.98	0.98	0.99
	HIGH	1598	1.02	1.02	1.01
TXH041A4+TAYTXVH-3+*UD080R9V4	NOMINAL	1400	1.00	1.00	1.00
	LOW	1225	0.98	0.98	0.99
	HIGH	1575	1.02	1.02	1.01
TXH041A4+TAYTXVH-3+*UD100R9V5	NOMINAL	1400	1.00	1.00	1.00
	LOW	1278	0.98	0.98	0.99
	HIGH	1643	1.02	1.02	1.01
TXH041A4+TAYTXVH-3+*UD120R9V5	NOMINAL	1400	1.00	1.00	1.00
	LOW	1216	0.98	0.98	0.99
	HIGH	1564	1.02	1.02	1.01
TXH041A4+TAYTXVH-3+*UD140R9V5	NOMINAL	1400	1.00	1.00	1.00
	LOW	1208	0.98	0.98	0.99
	HIGH	1553	1.02	1.02	1.01
TXH041A4+TAYTXVH-3+*UY080R9V3	NOMINAL	1400	1.00	1.00	1.00
	LOW	1050	0.98	0.98	0.99
	HIGH	1350	1.02	1.02	1.01
TXH041A4+TAYTXVH-3+*UY100R9V4	NOMINAL	1400	1.00	1.00	1.00
	LOW	1068	0.98	0.98	0.99
	HIGH	1373	1.02	1.02	1.01
TXH041A4+TAYTXVH-3+*UY120R9V5	NOMINAL	1400	1.00	1.00	1.00
	LOW	1059	0.98	0.98	0.99
	HIGH	1361	1.02	1.02	1.01
TXH054A4+TAYTXVH-3	NOMINAL	1400	1.00	1.00	1.00
	LOW	1225	0.98	0.98	0.99
	HIGH	1575	1.02	1.02	1.01
TXH054A4+TAYTXVH-3+*DD080R9V3	NOMINAL	1400	1.00	1.00	1.00
	LOW	1173	0.98	0.98	0.99
	HIGH	1508	1.02	1.02	1.01



Performance Data Cooling

2TWA3042A3/4

CORRECTION FACTORS FOR OTHER COMBINATIONS (MULTIPLY DATA BY FACTOR)

INDOOR MODEL		CFM	MBTUH TOT	MBTUH SEN	SYST KW
TXH054A4+TAYTXVH-3+*DD100R9V5	NOMINAL	1400	1.00	1.00	1.00
	LOW	1243	0.98	0.98	0.99
	HIGH	1598	1.02	1.02	1.01
TXH054A4+TAYTXVH-3+*DD120R9V5	NOMINAL	1400	1.00	1.00	1.00
	LOW	1251	0.98	0.98	0.99
	HIGH	1609	1.02	1.02	1.01
TXH054A4+TAYTXVH-3+*DY120R9V5	NOMINAL	1400	1.00	1.00	1.00
	LOW	1059	0.98	0.98	0.99
	HIGH	1361	1.02	1.02	1.01
TXH054A4+TAYTXVH-3+*UD080R9V3	NOMINAL	1400	1.00	1.00	1.00
	LOW	1243	0.98	0.98	0.99
	HIGH	1598	1.02	1.02	1.01
TXH054A4+TAYTXVH-3+*UD080R9V4	NOMINAL	1400	1.00	1.00	1.00
	LOW	1225	0.98	0.98	0.99
	HIGH	1575	1.02	1.02	1.01
TXH054A4+TAYTXVH-3+*UD100R9V5	NOMINAL	1400	1.00	1.00	1.00
	LOW	1286	0.98	0.98	0.99
	HIGH	1654	1.02	1.02	1.01
TXH054A4+TAYTXVH-3+*UD120R9V5	NOMINAL	1400	1.00	1.00	1.00
	LOW	1234	0.98	0.98	0.99
	HIGH	1586	1.02	1.02	1.01
TXH054A4+TAYTXVH-3+*UD140R9V5	NOMINAL	1400	1.00	1.00	1.00
	LOW	1216	0.98	0.98	0.99
	HIGH	1564	1.02	1.02	1.01
TXH054A4+TAYTXVH-3+*UY080R9V3	NOMINAL	1400	1.00	1.00	1.00
	LOW	1068	0.98	0.98	0.99
	HIGH	1373	1.02	1.02	1.01
TXH054A4+TAYTXVH-3+*UY100R9V4	NOMINAL	1400	1.00	1.00	1.00
	LOW	1076	0.98	0.98	0.99
	HIGH	1384	1.02	1.02	1.01
TXH054A4+TAYTXVH-3+*UY120R9V5	NOMINAL	1400	1.00	1.00	1.00
	LOW	1059	0.98	0.98	0.99
	HIGH	1361	1.02	1.02	1.01
TXH063P3	NOMINAL	1400	1.00	1.00	1.00
	LOW	1225	0.98	0.98	0.99
	HIGH	1575	1.02	1.02	1.01

CORRECTION FACTORS FOR OTHER COMBINATIONS (MULTIPLY DATA BY FACTOR)

INDOOR MODEL		CFM	MBTUH TOT	MBTUH SEN	SYST KW
TXH063P3+*DD080R9V3	NOMINAL	1400	1.00	1.00	1.00
	LOW	1173	0.98	0.98	0.99
	HIGH	1508	1.02	1.02	1.01
TXH063P3+*DD100R9V5	NOMINAL	1400	1.00	1.00	1.00
	LOW	1234	0.98	0.98	0.99
	HIGH	1586	1.02	1.02	1.01
TXH063P3+*DD120R9V5	NOMINAL	1400	1.00	1.00	1.00
	LOW	1234	0.98	0.98	0.99
	HIGH	1586	1.02	1.02	1.01
TXH063P3+*DY100R9V4	NOMINAL	1400	1.00	1.00	1.00
	LOW	1076	0.98	0.98	0.99
	HIGH	1384	1.02	1.02	1.01
TXH063P3+*DY120R9V5	NOMINAL	1400	1.00	1.00	1.00
	LOW	1068	0.98	0.98	0.99
	HIGH	1373	1.02	1.02	1.01
TXH063P3+*UD080R9V3	NOMINAL	1400	1.00	1.00	1.00
	LOW	1243	0.98	0.98	0.99
	HIGH	1598	1.02	1.02	1.01
TXH063P3+*UD100R9V5	NOMINAL	1400	1.00	1.00	1.00
	LOW	1278	0.98	0.98	0.99
	HIGH	1643	1.02	1.02	1.01
TXH063P3+*UD120R9V5	NOMINAL	1400	1.00	1.00	1.00
	LOW	1225	0.98	0.98	0.99
	HIGH	1575	1.02	1.02	1.01
TXH063P3+*UD140R9V5	NOMINAL	1400	1.00	1.00	1.00
	LOW	1208	0.98	0.98	0.99
	HIGH	1553	1.02	1.02	1.01
TXH063P3+*UY080R9V3	NOMINAL	1400	1.00	1.00	1.00
	LOW	1059	0.98	0.98	0.99
	HIGH	1361	1.02	1.02	1.01
TXH063P3+*UY100R9V4	NOMINAL	1400	1.00	1.00	1.00
	LOW	1068	0.98	0.98	0.99
	HIGH	1373	1.02	1.02	1.01
TXH063P3+*UY120R9V5	NOMINAL	1400	1.00	1.00	1.00
	LOW	1059	0.98	0.98	0.99
	HIGH	1361	1.02	1.02	1.01



Performance Data Cooling

2TWA3048A3/4

2TWA3048A3/4 WITH 2TEC3F48A1 AT 1600 CFM

O.D. D.B.	I.D. W.B.	TOT. CAP.	SENS. CAP. AT ENTERING D.B. TEMP.				TOTAL KW
			72	75	78	80	
85	59	43.5	28.4	34.1	39.8	43.5	3.65
	63	45.3	26.0	31.3	36.5	39.9	3.67
	67	48.9	22.5	27.0	31.5	34.4	3.73
	71	52.8	18.6	22.4	26.1	28.6	3.77
95	59	40.9	27.3	32.8	38.2	40.9	3.94
	63	42.6	25.0	30.1	35.1	38.3	3.97
	67	46.0	21.6	26.0	30.3	33.1	4.04
	71	49.6	17.9	21.5	25.1	27.4	4.07
105	59	38.3	26.1	31.4	36.6	38.3	4.24
	63	39.9	23.9	28.8	33.5	36.7	4.27
	67	43.0	20.6	24.8	28.9	31.6	4.34
	71	46.5	17.1	20.6	24.0	26.2	4.38
115	59	35.7	24.8	29.9	34.8	35.7	4.53
	63	37.2	22.8	27.4	31.9	34.9	4.56
	67	40.1	19.7	23.6	27.6	30.1	4.64
	71	43.3	16.3	19.6	22.9	25.0	4.68

CORRECTION FACTORS FOR OTHER AIRFLOWS (MULTIPLY DATA BY FACTOR)

AIRFLOW	TOTAL CAPACITY	SENSIBLE CAPACITY
LOW	1400	0.98
HIGH	1800	1.02

NOTE: ALL TABLES ABOVE ARE AT ARI RATING CONDITIONS RATED WITH 25 FEET OF REFRIGERANT LINES.
* DRY COIL CONDITION (TOTAL CAPACITY = SENSIBLE CAPACITY)
TOTAL CAPACITY, COMP. KW AND APP. DEW PT. ARE VALID ONLY FOR WET COIL. ALL TEMPERATURES IN DEGREES F.

CORRECTION FACTORS FOR OTHER COMBINATIONS (MULTIPLY DATA BY FACTOR)

INDOOR MODEL	CFM	MBTUH TOT	MBTUH SEN	SYST KW
2TEP3F48B1	NOMINAL	1600	1.00	1.00
	LOW	1400	0.98	0.98
	HIGH	1800	1.02	1.01
2TEP3F63B1	NOMINAL	1600	1.00	1.00
	LOW	1400	0.98	0.98
	HIGH	1800	1.02	1.01
2TGB3F48A1	NOMINAL	1600	1.00	1.00
	LOW	1400	0.98	0.98
	HIGH	1800	1.02	1.01
2TXCB048AC3	NOMINAL	1600	1.00	1.00
	LOW	1400	0.98	0.98
	HIGH	1800	1.02	1.01
2TXCB048AC3+*UD080R9V4	NOMINAL	1600	1.00	1.00
	LOW	1391	0.98	0.98
	HIGH	1789	1.02	1.01
2TXCC049AC3	NOMINAL	1600	1.00	1.00
	LOW	1400	0.98	0.98
	HIGH	1800	1.02	1.01
2TXCC049AC3+*DY100R9V4	NOMINAL	1600	1.00	1.00
	LOW	1269	0.98	0.98
	HIGH	1631	1.02	1.01
2TXCC049AC3+*UY100R9V4	NOMINAL	1600	1.00	1.00
	LOW	1251	0.98	0.98
	HIGH	1609	1.02	1.01
2TXCC054AS3	NOMINAL	1600	1.00	1.00
	LOW	1400	0.98	0.98
	HIGH	1800	1.02	1.01
2TXCC054AS3+*DD100R9V5	NOMINAL	1600	1.00	1.00
	LOW	1418	0.98	0.98
	HIGH	1823	1.02	1.01
2TXCC054AS3+*DY100R9V4	NOMINAL	1600	1.00	1.00
	LOW	1269	0.98	0.98
	HIGH	1631	1.02	1.01

CORRECTION FACTORS FOR OTHER COMBINATIONS (MULTIPLY DATA BY FACTOR)

INDOOR MODEL	CFM	MBTUH TOT	MBTUH SEN	SYST KW
2TXCC054AS3+*UD100R9V5	NOMINAL	1600	1.00	1.00
	LOW	1461	0.98	0.98
	HIGH	1879	1.02	1.01
2TXCC054AS3+*UY100R9V4	NOMINAL	1600	1.00	1.00
	LOW	1251	0.98	0.98
	HIGH	1609	1.02	1.01
2TXCC060AC3	NOMINAL	1600	1.00	1.00
	LOW	1400	0.98	0.98
	HIGH	1800	1.02	1.01
2TXCC060AC3+*DY100R9V4	NOMINAL	1600	1.00	1.00
	LOW	1269	0.98	0.98
	HIGH	1631	1.02	1.01
2TXCC060AC3+*UY100R9V4	NOMINAL	1600	1.00	1.00
	LOW	1251	0.98	0.98
	HIGH	1609	1.02	1.01
2TXCD050AC3	NOMINAL	1600	1.00	1.00
	LOW	1400	0.98	0.98
	HIGH	1800	1.02	1.01
2TXCD050AC3+*DD120R9V5	NOMINAL	1600	1.00	1.00
	LOW	1426	0.98	0.98
	HIGH	1834	1.02	1.01
2TXCD050AC3+*DY120R9V5	NOMINAL	1600	1.00	1.00
	LOW	1251	0.98	0.98
	HIGH	1609	1.02	1.01
2TXCD050AC3+*UD120R9V5	NOMINAL	1600	1.00	1.00
	LOW	1426	0.98	0.98
	HIGH	1834	1.02	1.01
2TXCD050AC3+*UD140R9V5	NOMINAL	1600	1.00	1.00
	LOW	1391	0.98	0.98
	HIGH	1789	1.02	1.01
2TXCD050AC3+*UY120R9V5	NOMINAL	1600	1.00	1.00
	LOW	1243	0.98	0.98
	HIGH	1598	1.02	1.01
2TXCD061AC3	NOMINAL	1600	1.00	1.00
	LOW	1400	0.98	0.98
	HIGH	1800	1.02	1.01
2TXCD061AC3+*DD120R9V5	NOMINAL	1600	1.00	1.00
	LOW	1426	0.98	0.98
	HIGH	1834	1.02	1.01
2TXCD061AC3+*DY120R9V5	NOMINAL	1600	1.00	1.00
	LOW	1251	0.98	0.98
	HIGH	1609	1.02	1.01
2TXCD061AC3+*UD120R9V5	NOMINAL	1600	1.00	1.00
	LOW	1426	0.98	0.98
	HIGH	1834	1.02	1.01
2TXCD061AC3+*UD140R9V5	NOMINAL	1600	1.00	1.00
	LOW	1391	0.98	0.98
	HIGH	1789	1.02	1.01
2TXCD061AC3+*UY120R9V5	NOMINAL	1600	1.00	1.00
	LOW	1243	0.98	0.98
	HIGH	1598	1.02	1.01
2TXCD065AS3	NOMINAL	1600	1.00	1.00
	LOW	1400	0.98	0.98
	HIGH	1800	1.02	1.01
2TXCD065AS3+*DD120R9V5	NOMINAL	1600	1.00	1.00
	LOW	1426	0.98	0.98
	HIGH	1834	1.02	1.01
2TXCD065AS3+*DY120R9V5	NOMINAL	1600	1.00	1.00
	LOW	1251	0.98	0.98
	HIGH	1609	1.02	1.01
2TXCD065AS3+*UD120R9V5	NOMINAL	1600	1.00	1.00
	LOW	1426	0.98	0.98
	HIGH	1834	1.02	1.01



Performance Data Cooling

2TWA3048A3/4

CORRECTION FACTORS FOR OTHER COMBINATIONS (MULTIPLY DATA BY FACTOR)

INDOOR MODEL		CFM	MBTUH TOT	MBTUH SEN	SYST KW
2TXCD065AS3+*UD140R9V5	NOMINAL	1600	1.00	1.00	1.00
	LOW	1391	0.98	0.98	0.99
	HIGH	1789	1.02	1.02	1.01
2TXCD065AS3+*UY120R9V5	NOMINAL	1600	1.00	1.00	1.00
	LOW	1243	0.98	0.98	0.99
	HIGH	1598	1.02	1.02	1.01
2TXFH054AS3	NOMINAL	1600	1.00	1.00	1.00
	LOW	1400	0.98	0.98	0.99
	HIGH	1800	1.02	1.02	1.01
2TXFH054AS3+*DD100R9V5	NOMINAL	1600	1.00	1.00	1.00
	LOW	1418	0.98	0.98	0.99
	HIGH	1823	1.02	1.02	1.01
2TXFH054AS3+*DD120R9V5	NOMINAL	1600	1.00	1.00	1.00
	LOW	1426	0.98	0.98	0.99
	HIGH	1834	1.02	1.02	1.01
2TXFH054AS3+*DY100R9V4	NOMINAL	1600	1.00	1.00	1.00
	LOW	1269	0.98	0.98	0.99
	HIGH	1631	1.02	1.02	1.01
2TXFH054AS3+*DY120R9V5	NOMINAL	1600	1.00	1.00	1.00
	LOW	1251	0.98	0.98	0.99
	HIGH	1609	1.02	1.02	1.01
2TXFH054AS3+*UD080R9V4	NOMINAL	1600	1.00	1.00	1.00
	LOW	1391	0.98	0.98	0.99
	HIGH	1789	1.02	1.02	1.01
2TXFH054AS3+*UD100R9V5	NOMINAL	1600	1.00	1.00	1.00
	LOW	1461	0.98	0.98	0.99
	HIGH	1879	1.02	1.02	1.01
2TXFH054AS3+*UD120R9V5	NOMINAL	1600	1.00	1.00	1.00
	LOW	1426	0.98	0.98	0.99
	HIGH	1834	1.02	1.02	1.01
2TXFH054AS3+*UD140R9V5	NOMINAL	1600	1.00	1.00	1.00
	LOW	1391	0.98	0.98	0.99
	HIGH	1789	1.02	1.02	1.01
2TXFH054AS3+*UY100R9V4	NOMINAL	1600	1.00	1.00	1.00
	LOW	1251	0.98	0.98	0.99
	HIGH	1609	1.02	1.02	1.01
2TXFH054AS3+*UY120R9V5	NOMINAL	1600	1.00	1.00	1.00
	LOW	1251	0.98	0.98	0.99
	HIGH	1609	1.02	1.02	1.01
2TXFH063AS3	NOMINAL	1600	1.00	1.00	1.00
	LOW	1400	0.98	0.98	0.99
	HIGH	1800	1.02	1.02	1.01
2TXFH063AS3+*DD100R9V5	NOMINAL	1600	1.00	1.00	1.00
	LOW	1418	0.98	0.98	0.99
	HIGH	1823	1.02	1.02	1.01
2TXFH063AS3+*DD120R9V5	NOMINAL	1600	1.00	1.00	1.00
	LOW	1426	0.98	0.98	0.99
	HIGH	1834	1.02	1.02	1.01
2TXFH063AS3+*DY100R9V4	NOMINAL	1600	1.00	1.00	1.00
	LOW	1269	0.98	0.98	0.99
	HIGH	1631	1.02	1.02	1.01
2TXFH063AS3+*DY120R9V5	NOMINAL	1600	1.00	1.00	1.00
	LOW	1243	0.98	0.98	0.99
	HIGH	1598	1.02	1.02	1.01
2TXFH063AS3+*UD080R9V4	NOMINAL	1600	1.00	1.00	1.00
	LOW	1391	0.98	0.98	0.99
	HIGH	1789	1.02	1.02	1.01
2TXFH063AS3+*UD100R9V5	NOMINAL	1600	1.00	1.00	1.00
	LOW	1461	0.98	0.98	0.99
	HIGH	1879	1.02	1.02	1.01
2TXFH063AS3+*UD120R9V5	NOMINAL	1600	1.00	1.00	1.00
	LOW	1418	0.98	0.98	0.99
	HIGH	1823	1.02	1.02	1.01

CORRECTION FACTORS FOR OTHER COMBINATIONS (MULTIPLY DATA BY FACTOR)

INDOOR MODEL		CFM	MBTUH TOT	MBTUH SEN	SYST KW
2TXFH063AS3+*UD140R9V5	NOMINAL	1600	1.00	1.00	1.00
	LOW	1391	0.98	0.98	0.99
	HIGH	1789	1.02	1.02	1.01
2TXFH063AS3+*UY100R9V4	NOMINAL	1600	1.00	1.00	1.00
	LOW	1243	0.98	0.98	0.99
	HIGH	1598	1.02	1.02	1.01
2TXFH063AS3+*UY120R9V5	NOMINAL	1600	1.00	1.00	1.00
	LOW	1243	0.98	0.98	0.99
	HIGH	1598	1.02	1.02	1.01
TWE042P13	NOMINAL	1600	1.00	1.00	1.00
	LOW	1400	0.98	0.98	0.99
	HIGH	1800	1.02	1.02	1.01
TWE048C14+TAYTXVH-3	NOMINAL	1600	1.00	1.00	1.00
	LOW	1400	0.98	0.98	0.99
	HIGH	1800	1.02	1.02	1.01
TWE048P13	NOMINAL	1600	1.00	1.00	1.00
	LOW	1400	0.98	0.98	0.99
	HIGH	1800	1.02	1.02	1.01
TWE049E13	NOMINAL	1600	1.00	1.00	1.00
	LOW	1400	0.98	0.98	0.99
	HIGH	1800	1.02	1.02	1.01
TWE060P13	NOMINAL	1600	1.00	1.00	1.00
	LOW	1400	0.98	0.98	0.99
	HIGH	1800	1.02	1.02	1.01
TWE065E13	NOMINAL	1600	1.00	1.00	1.00
	LOW	1213	0.98	0.98	0.99
	HIGH	1559	1.02	1.02	1.01
TWG048A14+TAYTXVH-3	NOMINAL	1600	1.00	1.00	1.00
	LOW	1400	0.98	0.98	0.99
	HIGH	1800	1.02	1.02	1.01
TXA049C4+TAYTXVH-3	NOMINAL	1600	1.00	1.00	1.00
	LOW	1400	0.98	0.98	0.99
	HIGH	1800	1.02	1.02	1.01
TXA050C4+TAYTXVH-3	NOMINAL	1600	1.00	1.00	1.00
	LOW	1400	0.98	0.98	0.99
	HIGH	1800	1.02	1.02	1.01
TXC049C4+TAYTXVH-3	NOMINAL	1600	1.00	1.00	1.00
	LOW	1400	0.98	0.98	0.99
	HIGH	1800	1.02	1.02	1.01
TXC050C4+TAYTXVH-3	NOMINAL	1600	1.00	1.00	1.00
	LOW	1400	0.98	0.98	0.99
	HIGH	1800	1.02	1.02	1.01
TXC054S3	NOMINAL	1600	1.00	1.00	1.00
	LOW	1400	0.98	0.98	0.99
	HIGH	1800	1.02	1.02	1.01
TXC054S3+*DD100R9V5	NOMINAL	1600	1.00	1.00	1.00
	LOW	1418	0.98	0.98	0.99
	HIGH	1823	1.02	1.02	1.01
TXC054S3+*DY100R9V4	NOMINAL	1600	1.00	1.00	1.00
	LOW	1269	0.98	0.98	0.99
	HIGH	1631	1.02	1.02	1.01
TXC054S3+*UD100R9V5	NOMINAL	1600	1.00	1.00	1.00
	LOW	1461	0.98	0.98	0.99
	HIGH	1879	1.02	1.02	1.01
TXC054S3+*UY100R9V4	NOMINAL	1600	1.00	1.00	1.00
	LOW	1251	0.98	0.98	0.99
	HIGH	1609	1.02	1.02	1.01
TXC065S3	NOMINAL	1600	1.00	1.00	1.00
	LOW	1400	0.98	0.98	0.99
	HIGH	1800	1.02	1.02	1.01
TXC065S3+*DD120R9V5	NOMINAL	1600	1.00	1.00	1.00
	LOW	1426	0.98	0.98	0.99
	HIGH	1834	1.02	1.02	1.01



Performance Data Cooling

2TWA3048A3/4

CORRECTION FACTORS FOR OTHER COMBINATIONS (MULTIPLY DATA BY FACTOR)

INDOOR MODEL		CFM	MBTUH TOT	MBTUH SEN	SYST KW
TXC065S3+*DY120R9V5	NOMINAL	1600	1.00	1.00	1.00
	LOW	1251	0.98	0.98	0.99
	HIGH	1609	1.02	1.02	1.01
TXC065S3+*UD120R9V5	NOMINAL	1600	1.00	1.00	1.00
	LOW	1426	0.98	0.98	0.99
	HIGH	1834	1.02	1.02	1.01
TXC065S3+*UD140R9V5	NOMINAL	1600	1.00	1.00	1.00
	LOW	1391	0.98	0.98	0.99
	HIGH	1789	1.02	1.02	1.01
TXC065S3+*UY120R9V5	NOMINAL	1600	1.00	1.00	1.00
	LOW	1243	0.98	0.98	0.99
	HIGH	1598	1.02	1.02	1.01
TXH054A4+TAYTXVH-3	NOMINAL	1600	1.00	1.00	1.00
	LOW	1400	0.98	0.98	0.99
	HIGH	1800	1.02	1.02	1.01
TXH054A4+TAYTXVH-3+*DD100R9V5	NOMINAL	1600	1.00	1.00	1.00
	LOW	1418	0.98	0.98	0.99
	HIGH	1823	1.02	1.02	1.01
TXH054A4+TAYTXVH-3+*DD120R9V5	NOMINAL	1600	1.00	1.00	1.00
	LOW	1426	0.98	0.98	0.99
	HIGH	1834	1.02	1.02	1.01
TXH054A4+TAYTXVH-3+*DY100R9V4	NOMINAL	1600	1.00	1.00	1.00
	LOW	1269	0.98	0.98	0.99
	HIGH	1631	1.02	1.02	1.01
TXH054A4+TAYTXVH-3+*DY120R9V5	NOMINAL	1600	1.00	1.00	1.00
	LOW	1251	0.98	0.98	0.99
	HIGH	1609	1.02	1.02	1.01
TXH054A4+TAYTXVH-3+*UD080R9V4	NOMINAL	1600	1.00	1.00	1.00
	LOW	1391	0.98	0.98	0.99
	HIGH	1789	1.02	1.02	1.01
TXH054A4+TAYTXVH-3+*UD100R9V5	NOMINAL	1600	1.00	1.00	1.00
	LOW	1461	0.98	0.98	0.99
	HIGH	1879	1.02	1.02	1.01
TXH054A4+TAYTXVH-3+*UD120R9V5	NOMINAL	1600	1.00	1.00	1.00
	LOW	1426	0.98	0.98	0.99
	HIGH	1834	1.02	1.02	1.01

CORRECTION FACTORS FOR OTHER COMBINATIONS (MULTIPLY DATA BY FACTOR)

INDOOR MODEL		CFM	MBTUH TOT	MBTUH SEN	SYST KW
TXH054A4+TAYTXVH-3+*UD140R9V5	NOMINAL	1600	1.00	1.00	1.00
	LOW	1391	0.98	0.98	0.99
	HIGH	1789	1.02	1.02	1.01
TXH054A4+TAYTXVH-3+*UY100R9V4	NOMINAL	1600	1.00	1.00	1.00
	LOW	1251	0.98	0.98	0.99
	HIGH	1609	1.02	1.02	1.01
TXH054A4+TAYTXVH-3+*UY120R9V5	NOMINAL	1600	1.00	1.00	1.00
	LOW	1251	0.98	0.98	0.99
	HIGH	1609	1.02	1.02	1.01
TXH063P3+*DD100R9V5	NOMINAL	1600	1.00	1.00	1.00
	LOW	1418	0.98	0.98	0.99
	HIGH	1823	1.02	1.02	1.01
TXH063P3+*DD120R9V5	NOMINAL	1600	1.00	1.00	1.00
	LOW	1426	0.98	0.98	0.99
	HIGH	1834	1.02	1.02	1.01
TXH063P3+*DY100R9V4	NOMINAL	1600	1.00	1.00	1.00
	LOW	1269	0.98	0.98	0.99
	HIGH	1631	1.02	1.02	1.01
TXH063P3+*DY120R9V5	NOMINAL	1600	1.00	1.00	1.00
	LOW	1243	0.98	0.98	0.99
	HIGH	1598	1.02	1.02	1.01
TXH063P3+*UD100R9V5	NOMINAL	1600	1.00	1.00	1.00
	LOW	1461	0.98	0.98	0.99
	HIGH	1879	1.02	1.02	1.01
TXH063P3+*UD120R9V5	NOMINAL	1600	1.00	1.00	1.00
	LOW	1418	0.98	0.98	0.99
	HIGH	1823	1.02	1.02	1.01
TXH063P3+*UD140R9V5	NOMINAL	1600	1.00	1.00	1.00
	LOW	1391	0.98	0.98	0.99
	HIGH	1789	1.02	1.02	1.01
TXH063P3+*UY100R9V4	NOMINAL	1600	1.00	1.00	1.00
	LOW	1243	0.98	0.98	0.99
	HIGH	1598	1.02	1.02	1.01
TXH063P3+*UY120R9V5	NOMINAL	1600	1.00	1.00	1.00
	LOW	1243	0.98	0.98	0.99
	HIGH	1598	1.02	1.02	1.01



Performance Data Cooling

2TWA3060A3/4

2TWA3060A3/4 WITH 2TEC3F60A1 AT 1866 CFM

O.D. D.B.	I.D. W.B.	TOT. CAP.	SENS. CAP. AT ENTERING D.B. TEMP.				TOTAL KW
			72	75	78	80	
85	59	52.1	33.5	40.3	46.9	51.3	4.47
	63	54.3	30.7	37.0	43.1	47.1	4.50
	67	58.5	26.5	31.9	37.2	40.6	4.57
	71	63.2	22.0	26.4	30.8	33.7	4.62
95	59	49.8	32.7	39.4	45.9	49.8	4.93
	63	51.9	30.0	36.1	42.1	46.0	4.96
	67	56.0	25.9	31.2	36.3	39.7	5.05
	71	60.4	21.5	25.9	30.1	32.9	5.09
105	59	47.5	31.9	38.4	44.7	47.5	5.39
	63	49.6	29.3	35.2	41.1	44.9	5.43
	67	53.4	25.3	30.4	35.4	38.7	5.52
	71	57.7	21.0	25.2	29.4	32.1	5.57
115	59	45.3	31.0	37.3	43.5	45.3	5.85
	63	47.2	28.5	34.2	39.9	43.6	5.89
	67	50.8	24.6	29.5	34.4	37.7	5.99
	71	54.9	20.4	24.5	28.6	31.2	6.04

CORRECTION FACTORS FOR OTHER AIRFLOWS (MULTIPLY DATA BY FACTOR)

	AIRFLOW	TOTAL CAPACITY	SENSIBLE CAPACITY
LOW	1633	0.98	0.98
HIGH	2099	1.02	1.02

NOTE: ALL TABLES ABOVE ARE AT ARI RATING CONDITIONS RATED WITH 25 FEET OF REFRIGERANT LINES.
 * DRY COIL CONDITION (TOTAL CAPACITY = SENSIBLE CAPACITY)
 TOTAL CAPACITY, COMP. KW AND APP. DEW PT. ARE VALID ONLY FOR WET COIL. ALL TEMPERATURES IN DEGREES F.

CORRECTION FACTORS FOR OTHER COMBINATIONS (MULTIPLY DATA BY FACTOR)

INDOOR MODEL		CFM	MBTUH TOT	MBTUH SEN	SYST KW
2TEP3F48B1	NOMINAL	1866	1.00	1.00	1.00
	LOW	1531	0.98	0.98	0.99
	HIGH	1969	1.02	1.02	1.01
2TEP3F63B1	NOMINAL	1866	1.00	1.00	1.00
	LOW	1750	0.98	0.98	0.99
	HIGH	2250	1.02	1.02	1.01
2TXCC060AC3	NOMINAL	1866	1.00	1.00	1.00
	LOW	1461	0.98	0.98	0.99
	HIGH	1879	1.02	1.02	1.01
2TXCD061AC3	NOMINAL	1866	1.00	1.00	1.00
	LOW	1619	0.98	0.98	0.99
	HIGH	2081	1.02	1.02	1.01
2TXCD061AC3+*DD120R9V5	NOMINAL	1866	1.00	1.00	1.00
	LOW	1768	0.98	0.98	0.99
	HIGH	2273	1.02	1.02	1.01
2TXCD061AC3+*DY120R9V5	NOMINAL	1866	1.00	1.00	1.00
	LOW	1514	0.98	0.98	0.99
	HIGH	1946	1.02	1.02	1.01
2TXCD061AC3+*UD120R9V5	NOMINAL	1866	1.00	1.00	1.00
	LOW	1715	0.98	0.98	0.99
	HIGH	2205	1.02	1.02	1.01
2TXCD061AC3+*UD140R9V5	NOMINAL	1866	1.00	1.00	1.00
	LOW	1715	0.98	0.98	0.99
	HIGH	2205	1.02	1.02	1.01
2TXCD061AC3+*UY120R9V5	NOMINAL	1866	1.00	1.00	1.00
	LOW	1566	0.98	0.98	0.99
	HIGH	2014	1.02	1.02	1.01
2TXCD065AS3	NOMINAL	1866	1.00	1.00	1.00
	LOW	1663	0.98	0.98	0.99
	HIGH	2138	1.02	1.02	1.01
2TXCD065AS3+*DD120R9V5	NOMINAL	1866	1.00	1.00	1.00
	LOW	1768	0.98	0.98	0.99
	HIGH	2273	1.02	1.02	1.01

CORRECTION FACTORS FOR OTHER COMBINATIONS (MULTIPLY DATA BY FACTOR)

INDOOR MODEL		CFM	MBTUH TOT	MBTUH SEN	SYST KW
2TXCD065AS3+*DY120R9V5	NOMINAL	1866	1.00	1.00	1.00
	LOW	1514	0.98	0.98	0.99
	HIGH	1946	1.02	1.02	1.01
2TXCD065AS3+*UD120R9V5	NOMINAL	1866	1.00	1.00	1.00
	LOW	1724	0.98	0.98	0.99
	HIGH	2216	1.02	1.02	1.01
2TXCD065AS3+*UD140R9V5	NOMINAL	1866	1.00	1.00	1.00
	LOW	1715	0.98	0.98	0.99
	HIGH	2205	1.02	1.02	1.01
2TXCD065AS3+*UY120R9V5	NOMINAL	1866	1.00	1.00	1.00
	LOW	1566	0.98	0.98	0.99
	HIGH	2014	1.02	1.02	1.01
2TXFH054AS3	NOMINAL	1866	1.00	1.00	1.00
	LOW	1453	0.98	0.98	0.99
	HIGH	1868	1.02	1.02	1.01
2TXFH054AS3+*DD100R9V5	NOMINAL	1866	1.00	1.00	1.00
	LOW	1636	0.98	0.98	0.99
	HIGH	2104	1.02	1.02	1.01
2TXFH054AS3+*DD120R9V5	NOMINAL	1866	1.00	1.00	1.00
	LOW	1750	0.98	0.98	0.99
	HIGH	2250	1.02	1.02	1.01
2TXFH054AS3+*DY120R9V5	NOMINAL	1866	1.00	1.00	1.00
	LOW	1479	0.98	0.98	0.99
	HIGH	1901	1.02	1.02	1.01
2TXFH054AS3+*UD100R9V5	NOMINAL	1866	1.00	1.00	1.00
	LOW	1654	0.98	0.98	0.99
	HIGH	2126	1.02	1.02	1.01
2TXFH054AS3+*UD120R9V5	NOMINAL	1866	1.00	1.00	1.00
	LOW	1671	0.98	0.98	0.99
	HIGH	2149	1.02	1.02	1.01
2TXFH054AS3+*UD140R9V5	NOMINAL	1866	1.00	1.00	1.00
	LOW	1680	0.98	0.98	0.99
	HIGH	2160	1.02	1.02	1.01
2TXFH054AS3+*UY120R9V5	NOMINAL	1866	1.00	1.00	1.00
	LOW	1540	0.98	0.98	0.99
	HIGH	1980	1.02	1.02	1.01
2TXFH063AS3	NOMINAL	1866	1.00	1.00	1.00
	LOW	1750	0.98	0.98	0.99
	HIGH	2250	1.02	1.02	1.01
2TXFH063AS3+*DD100R9V5	NOMINAL	1866	1.00	1.00	1.00
	LOW	1680	0.98	0.98	0.99
	HIGH	2160	1.02	1.02	1.01
2TXFH063AS3+*DD120R9V5	NOMINAL	1866	1.00	1.00	1.00
	LOW	1776	0.98	0.98	0.99
	HIGH	2284	1.02	1.02	1.01
2TXFH063AS3+*DY120R9V5	NOMINAL	1866	1.00	1.00	1.00
	LOW	1523	0.98	0.98	0.99
	HIGH	1958	1.02	1.02	1.01
2TXFH063AS3+*UD100R9V5	NOMINAL	1866	1.00	1.00	1.00
	LOW	1724	0.98	0.98	0.99
	HIGH	2216	1.02	1.02	1.01
2TXFH063AS3+*UD120R9V5	NOMINAL	1866	1.00	1.00	1.00
	LOW	1733	0.98	0.98	0.99
	HIGH	2228	1.02	1.02	1.01
2TXFH063AS3+*UD140R9V5	NOMINAL	1866	1.00	1.00	1.00
	LOW	1724	0.98	0.98	0.99
	HIGH	2216	1.02	1.02	1.01
2TXFH063AS3+*UY120R9V5	NOMINAL	1866	1.00	1.00	1.00
	LOW	1575	0.98	0.98	0.99
	HIGH	2025	1.02	1.02	1.01
TWE049E13	NOMINAL	1866	1.00	1.00	1.00
	LOW	1588	0.98	0.98	0.99
	HIGH	2042	1.02	1.02	1.01



Performance Data Cooling

2TWA3060A3/4

CORRECTION FACTORS FOR OTHER COMBINATIONS (MULTIPLY DATA BY FACTOR)

INDOOR MODEL		CFM	MBTUH TOT	MBTUH SEN	SYST KW
TWE060P13	NOMINAL	1866	1.00	1.00	1.00
	LOW	1531	0.98	0.98	0.99
	HIGH	1969	1.02	1.02	1.01
TWE063P13	NOMINAL	1866	1.00	1.00	1.00
	LOW	1750	0.98	0.98	0.99
	HIGH	2250	1.02	1.02	1.01
TWE065E13	NOMINAL	1866	1.00	1.00	1.00
	LOW	1588	0.98	0.98	0.99
	HIGH	2042	1.02	1.02	1.01
TXC065S3	NOMINAL	1866	1.00	1.00	1.00
	LOW	1663	0.98	0.98	0.99
	HIGH	2138	1.02	1.02	1.01
TXC065S3+*DD120R9V5	NOMINAL	1866	1.00	1.00	1.00
	LOW	1768	0.98	0.98	0.99
	HIGH	2273	1.02	1.02	1.01

CORRECTION FACTORS FOR OTHER COMBINATIONS (MULTIPLY DATA BY FACTOR)

INDOOR MODEL		CFM	MBTUH TOT	MBTUH SEN	SYST KW
TXC065S3+*DY120R9V5	NOMINAL	1866	1.00	1.00	1.00
	LOW	1514	0.98	0.98	0.99
	HIGH	1946	1.02	1.02	1.01
TXC065S3+*UD120R9V5	NOMINAL	1866	1.00	1.00	1.00
	LOW	1724	0.98	0.98	0.99
	HIGH	2216	1.02	1.02	1.01
TXC065S3+*UD140R9V5	NOMINAL	1866	1.00	1.00	1.00
	LOW	1715	0.98	0.98	0.99
	HIGH	2205	1.02	1.02	1.01
TXC065S3+*UY120R9V5	NOMINAL	1866	1.00	1.00	1.00
	LOW	1566	0.98	0.98	0.99
	HIGH	2014	1.02	1.02	1.01
TXH063P3	NOMINAL	1866	1.00	1.00	1.00
	LOW	1750	0.98	0.98	0.99
	HIGH	2250	1.02	1.02	1.01



Performance Data Heating

2TWA3030A3/4

2TWA3030A3/4 WITH 2TEC3F30A1 AT 1000 CFM

O.D. TEMP. F.	HEATING CAPACITY MBH AT INDOOR DRY BULB TEMP.			TOTAL POWER IN KILOWATTS AT INDOOR DRY BULB TEMP.		
	70	75	80	70	75	80
	2	10.25	10.14	10.05	2.02	2.08
7	12.00	11.88	11.77	2.07	2.14	2.20
12	13.75	13.61	13.48	2.13	2.20	2.26
17	15.50	15.34	15.20	2.19	2.26	2.32
22	16.37	16.21	16.06	2.24	2.31	2.38
27	17.25	17.08	16.92	2.30	2.37	2.43
32	18.13	17.95	17.78	2.35	2.42	2.49
37	19.88	19.68	19.50	2.41	2.48	2.55
42	22.94	22.71	22.50	2.48	2.55	2.62
47	26.00	25.74	25.50	2.55	2.62	2.70
52	27.75	27.47	27.22	2.61	2.68	2.76
57	29.50	29.20	28.94	2.66	2.74	2.82
62	31.25	30.93	30.65	2.72	2.80	2.89
67	33.00	32.67	32.37	2.78	2.87	2.95
72	34.75	34.40	34.09	2.84	2.93	3.01

CORRECTION FACTORS FOR OTHER AIRFLOWS (MULTIPLY DATA BY FACTOR)

AIRFLOW	TOTAL CAPACITY	SENSIBLE CAPACITY
LOW	0.98	0.97
HIGH	1.01	1.02

NOTE: ALL TABLES ABOVE ARE AT ARI RATING CONDITIONS RATED WITH 25 FEET OF REFRIGERANT LINES.

CORRECTION FACTORS FOR OTHER COMBINATIONS (MULTIPLY DATA BY FACTOR)

INDOOR MODEL	CFM	MBTUH TOT	SYST KW
2TEC3F36A1	NOMINAL	1000	0.99
	LOW	875	0.97
	HIGH	1125	0.99
2TFB3F30B1	NOMINAL	1000	0.98
	LOW	875	0.96
	HIGH	1125	0.98
2TFE3F25B1	NOMINAL	1000	0.96
	LOW	875	0.94
	HIGH	1125	0.96
2TGB3F30A1	NOMINAL	1000	0.99
	LOW	875	0.97
	HIGH	1125	0.99
2TGB3F36A1	NOMINAL	1000	0.99
	LOW	875	0.97
	HIGH	1125	0.99
2TGB3F42A1	NOMINAL	1000	1.03
	LOW	875	1.00
	HIGH	1125	1.04
2TXCB031AC3	NOMINAL	1000	0.97
	LOW	875	0.95
	HIGH	1125	0.97
2TXCB031AC3+*DD060R9V3	NOMINAL	1000	0.95
	LOW	875	0.93
	HIGH	1125	0.95
2TXCB031AC3+*DD080R9V3	NOMINAL	1000	0.94
	LOW	875	0.92
	HIGH	1125	0.94
2TXCB031AC3+*DY060R9V3	NOMINAL	1000	0.93
	LOW	875	0.91
	HIGH	1125	0.93
2TXCB031AC3+*DY080R9V3	NOMINAL	1000	0.93
	LOW	875	0.91
	HIGH	1125	0.93
2TXCB031AC3+*UD060R9V3	NOMINAL	1000	0.96
	LOW	875	0.94
	HIGH	1125	0.96

CORRECTION FACTORS FOR OTHER COMBINATIONS (MULTIPLY DATA BY FACTOR)

INDOOR MODEL	CFM	MBTUH TOT	SYST KW
2TXCB031AC3+*UD080R9V3	NOMINAL	1000	0.96
	LOW	875	0.94
	HIGH	1125	0.96
2TXCB031AC3+*UD080R9V4	NOMINAL	1000	0.95
	LOW	875	0.93
	HIGH	1125	0.95
2TXCB031AC3+*UD100R9V3	NOMINAL	1000	0.96
	LOW	875	0.94
	HIGH	1125	0.96
2TXCB031AC3+*UY060R9V3	NOMINAL	1000	0.93
	LOW	875	0.91
	HIGH	1125	0.93
2TXCB031AC3+*UY080R9V3	NOMINAL	1000	0.93
	LOW	875	0.91
	HIGH	1125	0.93
2TXCB031AS3	NOMINAL	1000	0.98
	LOW	875	0.96
	HIGH	1125	0.98
2TXCB031AS3+*DD060R9V3	NOMINAL	1000	0.96
	LOW	875	0.94
	HIGH	1125	0.96
2TXCB031AS3+*DD080R9V3	NOMINAL	1000	0.95
	LOW	875	0.93
	HIGH	1125	0.95
2TXCB031AS3+*DY060R9V3	NOMINAL	1000	0.93
	LOW	875	0.91
	HIGH	1125	0.93
2TXCB031AS3+*DY080R9V3	NOMINAL	1000	0.94
	LOW	875	0.92
	HIGH	1125	0.94
2TXCB031AS3+*UD060R9V3	NOMINAL	1000	0.97
	LOW	875	0.95
	HIGH	1125	0.97
2TXCB031AS3+*UD080R9V3	NOMINAL	1000	0.96
	LOW	875	0.94
	HIGH	1125	0.96
2TXCB031AS3+*UD080R9V4	NOMINAL	1000	0.96
	LOW	875	0.94
	HIGH	1125	0.96
2TXCB031AS3+*UD100R9V3	NOMINAL	1000	0.97
	LOW	875	0.95
	HIGH	1125	0.97
2TXCB031AS3+*UY060R9V3	NOMINAL	1000	0.94
	LOW	875	0.92
	HIGH	1125	0.94
2TXCB031AS3+*UY080R9V3	NOMINAL	1000	0.93
	LOW	875	0.91
	HIGH	1125	0.93
2TXCB036AC3	NOMINAL	1000	0.98
	LOW	875	0.96
	HIGH	1125	0.98
2TXCB036AC3+*DD060R9V3	NOMINAL	1000	0.96
	LOW	875	0.94
	HIGH	1125	0.96
2TXCB036AC3+*DD080R9V3	NOMINAL	1000	0.95
	LOW	875	0.93
	HIGH	1125	0.95
2TXCB036AC3+*DY060R9V3	NOMINAL	1000	0.93
	LOW	875	0.91
	HIGH	1125	0.93
2TXCB036AC3+*DY080R9V3	NOMINAL	1000	0.94
	LOW	875	0.92
	HIGH	1125	0.94



Performance Data Heating

2TWA3030A3/4

CORRECTION FACTORS FOR OTHER COMBINATIONS (MULTIPLY DATA BY FACTOR)

INDOOR MODEL		CFM	MBTUH TOT	SYST KW
2TXCB036AC3+*UD060R9V3	NOMINAL	1000	0.97	0.91
	LOW	875	0.95	0.88
	HIGH	1125	0.97	0.92
2TXCB036AC3+*UD080R9V3	NOMINAL	1000	0.96	0.88
	LOW	875	0.94	0.85
	HIGH	1125	0.96	0.89
2TXCB036AC3+*UD080R9V4	NOMINAL	1000	0.96	0.85
	LOW	875	0.94	0.82
	HIGH	1125	0.96	0.86
2TXCB036AC3+*UD100R9V3	NOMINAL	1000	0.97	0.91
	LOW	875	0.95	0.88
	HIGH	1125	0.97	0.92
2TXCB036AC3+*UY060R9V3	NOMINAL	1000	0.93	0.85
	LOW	875	0.91	0.82
	HIGH	1125	0.93	0.86
2TXCB036AC3+*UY080R9V3	NOMINAL	1000	0.93	0.83
	LOW	875	0.91	0.80
	HIGH	1125	0.93	0.84
2TXCB036AS3	NOMINAL	1000	0.99	1.01
	LOW	875	0.97	0.97
	HIGH	1125	0.99	1.03
2TXCB036AS3+*DD060R9V3	NOMINAL	1000	0.97	0.88
	LOW	875	0.95	0.85
	HIGH	1125	0.97	0.89
2TXCB036AS3+*DD080R9V3	NOMINAL	1000	0.96	0.87
	LOW	875	0.94	0.84
	HIGH	1125	0.96	0.88
2TXCB036AS3+*DY060R9V3	NOMINAL	1000	0.94	0.85
	LOW	875	0.92	0.82
	HIGH	1125	0.94	0.86
2TXCB036AS3+*DY080R9V3	NOMINAL	1000	0.95	0.89
	LOW	875	0.93	0.86
	HIGH	1125	0.95	0.90
2TXCB036AS3+*UD060R9V3	NOMINAL	1000	0.98	0.92
	LOW	875	0.96	0.89
	HIGH	1125	0.98	0.93
2TXCB036AS3+*UD080R9V3	NOMINAL	1000	0.97	0.89
	LOW	875	0.95	0.86
	HIGH	1125	0.97	0.90
2TXCB036AS3+*UD080R9V4	NOMINAL	1000	0.96	0.86
	LOW	875	0.94	0.83
	HIGH	1125	0.96	0.87
2TXCB036AS3+*UD100R9V3	NOMINAL	1000	0.98	0.92
	LOW	875	0.96	0.89
	HIGH	1125	0.98	0.93
2TXCB036AS3+*UY060R9V3	NOMINAL	1000	0.95	0.87
	LOW	875	0.93	0.84
	HIGH	1125	0.95	0.88
2TXCB036AS3+*UY080R9V3	NOMINAL	1000	0.94	0.85
	LOW	875	0.92	0.82
	HIGH	1125	0.94	0.86
2TXCB042AC3	NOMINAL	1000	1.00	1.00
	LOW	875	0.98	0.97
	HIGH	1125	1.01	1.02
2TXCB042AC3+*DD060R9V3	NOMINAL	1000	0.97	0.89
	LOW	875	0.95	0.86
	HIGH	1125	0.97	0.90
2TXCB042AC3+*DD080R9V3	NOMINAL	1000	0.96	0.88
	LOW	875	0.94	0.85
	HIGH	1125	0.96	0.89
2TXCB042AC3+*DY060R9V3	NOMINAL	1000	0.95	0.87
	LOW	875	0.93	0.84
	HIGH	1125	0.95	0.88

CORRECTION FACTORS FOR OTHER COMBINATIONS (MULTIPLY DATA BY FACTOR)

INDOOR MODEL		CFM	MBTUH TOT	SYST KW
2TXCB042AC3+*DY080R9V3	NOMINAL	1000	0.96	0.89
	LOW	875	0.94	0.86
	HIGH	1125	0.96	0.90
2TXCB042AC3+*UD060R9V3	NOMINAL	1000	0.98	0.93
	LOW	875	0.96	0.90
	HIGH	1125	0.98	0.94
2TXCB042AC3+*UD080R9V3	NOMINAL	1000	0.97	0.89
	LOW	875	0.95	0.86
	HIGH	1125	0.97	0.90
2TXCB042AC3+*UD080R9V4	NOMINAL	1000	0.97	0.87
	LOW	875	0.95	0.84
	HIGH	1125	0.97	0.88
2TXCB042AC3+*UD100R9V3	NOMINAL	1000	0.98	0.92
	LOW	875	0.96	0.89
	HIGH	1125	0.98	0.93
2TXCB042AC3+*UY060R9V3	NOMINAL	1000	0.95	0.87
	LOW	875	0.93	0.84
	HIGH	1125	0.95	0.88
2TXCB042AC3+*UY080R9V3	NOMINAL	1000	0.94	0.84
	LOW	875	0.92	0.81
	HIGH	1125	0.94	0.85
2TXCC037AC3	NOMINAL	1000	1.00	1.00
	LOW	875	0.98	0.97
	HIGH	1125	1.01	1.02
2TXCC037AC3+*DY100R9V4	NOMINAL	1000	0.99	0.91
	LOW	875	0.97	0.88
	HIGH	1125	0.99	0.92
2TXCC037AC3+*UY100R9V4	NOMINAL	1000	0.98	0.88
	LOW	875	0.96	0.85
	HIGH	1125	0.98	0.89
2TXCC037AS3	NOMINAL	1000	1.00	1.02
	LOW	875	0.98	0.98
	HIGH	1125	1.01	1.04
2TXCC037AS3+*DY100R9V4	NOMINAL	1000	0.99	0.91
	LOW	875	0.97	0.88
	HIGH	1125	0.99	0.92
2TXCC037AS3+*UY100R9V4	NOMINAL	1000	0.99	0.90
	LOW	875	0.97	0.87
	HIGH	1125	0.99	0.91
2TXFH033AS3	NOMINAL	1000	0.96	0.99
	LOW	875	0.94	0.96
	HIGH	1125	0.96	1.00
2TXFH033AS3+*DD060R9V3	NOMINAL	1000	0.94	0.85
	LOW	875	0.92	0.82
	HIGH	1125	0.94	0.86
2TXFH033AS3+*DD080R9V3	NOMINAL	1000	0.93	0.84
	LOW	875	0.91	0.81
	HIGH	1125	0.93	0.85
2TXFH033AS3+*DY060R9V3	NOMINAL	1000	0.92	0.83
	LOW	875	0.90	0.80
	HIGH	1125	0.92	0.84
2TXFH033AS3+*DY080R9V3	NOMINAL	1000	0.93	0.86
	LOW	875	0.91	0.83
	HIGH	1125	0.93	0.87
2TXFH033AS3+*UD060R9V3	NOMINAL	1000	0.95	0.89
	LOW	875	0.93	0.86
	HIGH	1125	0.95	0.90
2TXFH033AS3+*UD080R9V3	NOMINAL	1000	0.94	0.86
	LOW	875	0.92	0.83
	HIGH	1125	0.94	0.87
2TXFH033AS3+*UD080R9V4	NOMINAL	1000	0.94	0.83
	LOW	875	0.92	0.80
	HIGH	1125	0.94	0.84



Performance Data Heating

2TWA3030A3/4

CORRECTION FACTORS FOR OTHER COMBINATIONS (MULTIPLY DATA BY FACTOR)

INDOOR MODEL		CFM	MBTUH TOT	SYST KW
2TXFH033AS3+*UD100R9V3	NOMINAL	1000	0.95	0.88
	LOW	875	0.93	0.85
	HIGH	1125	0.95	0.89
2TXFH033AS3+*UY060R9V3	NOMINAL	1000	0.93	0.84
	LOW	875	0.91	0.81
	HIGH	1125	0.93	0.85
2TXFH033AS3+*UY080R9V3	NOMINAL	1000	0.92	0.83
	LOW	875	0.90	0.80
	HIGH	1125	0.92	0.84
2TXFH033AS3+*UY100R9V4	NOMINAL	1000	0.95	0.86
	LOW	875	0.93	0.83
	HIGH	1125	0.95	0.87
2TXFH041AS3	NOMINAL	1000	1.00	1.00
	LOW	875	0.98	0.97
	HIGH	1125	1.01	1.02
2TXFH041AS3+*DD060R9V3	NOMINAL	1000	0.97	0.87
	LOW	875	0.95	0.84
	HIGH	1125	0.97	0.88
2TXFH041AS3+*DD080R9V3	NOMINAL	1000	0.96	0.86
	LOW	875	0.94	0.83
	HIGH	1125	0.96	0.87
2TXFH041AS3+*DY060R9V3	NOMINAL	1000	0.95	0.85
	LOW	875	0.93	0.82
	HIGH	1125	0.95	0.86
2TXFH041AS3+*DY080R9V3	NOMINAL	1000	0.96	0.88
	LOW	875	0.94	0.85
	HIGH	1125	0.96	0.89
2TXFH041AS3+*DY100R9V4	NOMINAL	1000	0.99	0.91
	LOW	875	0.97	0.88
	HIGH	1125	0.99	0.92
2TXFH041AS3+*UD060R9V3	NOMINAL	1000	0.98	0.90
	LOW	875	0.96	0.87
	HIGH	1125	0.98	0.91
2TXFH041AS3+*UD080R9V3	NOMINAL	1000	0.97	0.87
	LOW	875	0.95	0.84
	HIGH	1125	0.97	0.88
2TXFH041AS3+*UD080R9V4	NOMINAL	1000	0.96	0.84
	LOW	875	0.94	0.81
	HIGH	1125	0.96	0.85
2TXFH041AS3+*UD100R9V3	NOMINAL	1000	0.98	0.90
	LOW	875	0.96	0.87
	HIGH	1125	0.98	0.91
2TXFH041AS3+*UY060R9V3	NOMINAL	1000	0.95	0.85
	LOW	875	0.93	0.82
	HIGH	1125	0.95	0.86
2TXFH041AS3+*UY080R9V3	NOMINAL	1000	0.94	0.84
	LOW	875	0.92	0.81
	HIGH	1125	0.94	0.85
2TXFH041AS3+*UY100R9V4	NOMINAL	1000	0.98	0.88
	LOW	875	0.96	0.85
	HIGH	1125	0.98	0.89
TWE024P13	NOMINAL	1000	0.98	0.98
	LOW	875	0.96	0.95
	HIGH	1125	0.98	0.99
TWE030C14+TAYTXVH-3	NOMINAL	1000	0.96	1.00
	LOW	875	0.94	0.97
	HIGH	1125	0.96	1.02
TWE030P13	NOMINAL	1000	0.96	0.95
	LOW	875	0.94	0.92
	HIGH	1125	0.96	0.96
TWE031E13	NOMINAL	1000	0.96	0.89
	LOW	875	0.94	0.86
	HIGH	1125	0.96	0.90

CORRECTION FACTORS FOR OTHER COMBINATIONS (MULTIPLY DATA BY FACTOR)

INDOOR MODEL		CFM	MBTUH TOT	SYST KW
TWE036C14+TAYTXVH-3	NOMINAL	1000	0.99	1.01
	LOW	875	0.97	0.97
	HIGH	1125	0.99	1.03
TWE036P13	NOMINAL	1000	0.98	1.01
	LOW	875	0.96	0.97
	HIGH	1125	0.98	1.03
TWE037E13	NOMINAL	1000	0.96	0.85
	LOW	875	0.94	0.82
	HIGH	1125	0.96	0.86
TWE040E13	NOMINAL	1000	1.00	0.87
	LOW	875	0.98	0.84
	HIGH	1125	1.01	0.88
TWG036A14+TAYTXVH-3	NOMINAL	1000	0.96	0.98
	LOW	875	0.94	0.95
	HIGH	1125	0.96	0.99
TXA030C4+TAYTXVH-3	NOMINAL	1000	0.96	1.00
	LOW	875	0.94	0.97
	HIGH	1125	0.96	1.02
TXA031C4+TAYTXVH-3	NOMINAL	1000	0.97	1.00
	LOW	875	0.95	0.97
	HIGH	1125	0.97	1.02
TXA035C4+TAYTXVH-3	NOMINAL	1000	0.96	1.00
	LOW	875	0.94	0.97
	HIGH	1125	0.96	1.02
TXA036C4+TAYTXVH-3	NOMINAL	1000	0.99	1.01
	LOW	875	0.97	0.97
	HIGH	1125	0.99	1.03
TXC030C4+TAYTXVH-3	NOMINAL	1000	0.96	1.00
	LOW	875	0.94	0.97
	HIGH	1125	0.96	1.02
TXC030D4+TAYTXVH-3	NOMINAL	1000	0.96	1.00
	LOW	875	0.94	0.97
	HIGH	1125	0.96	1.02
TXC031C4+TAYTXVH-3	NOMINAL	1000	0.97	1.00
	LOW	875	0.95	0.97
	HIGH	1125	0.97	1.02
TXC031D4+TAYTXVH-3	NOMINAL	1000	0.96	0.99
	LOW	875	0.94	0.96
	HIGH	1125	0.96	1.00
TXC031S3	NOMINAL	1000	1.00	1.00
	LOW	875	0.98	0.97
	HIGH	1125	1.01	1.02
TXC031S3+*DD060R9V3	NOMINAL	1000	0.97	0.89
	LOW	875	0.95	0.86
	HIGH	1125	0.97	0.90
TXC031S3+*DD080R9V3	NOMINAL	1000	0.96	0.87
	LOW	875	0.94	0.84
	HIGH	1125	0.96	0.88
TXC031S3+*DY060R9V3	NOMINAL	1000	0.95	0.85
	LOW	875	0.93	0.82
	HIGH	1125	0.95	0.86
TXC031S3+*DY080R9V3	NOMINAL	1000	0.96	0.89
	LOW	875	0.94	0.86
	HIGH	1125	0.96	0.90
TXC031S3+*UD060R9V3	NOMINAL	1000	0.99	0.93
	LOW	875	0.97	0.90
	HIGH	1125	0.99	0.94
TXC031S3+*UD080R9V3	NOMINAL	1000	0.97	0.89
	LOW	875	0.95	0.86
	HIGH	1125	0.97	0.90
TXC031S3+*UD080R9V4	NOMINAL	1000	0.97	0.87
	LOW	875	0.95	0.84
	HIGH	1125	0.97	0.88



Performance Data Heating

2TWA3030A3/4

CORRECTION FACTORS FOR OTHER COMBINATIONS (MULTIPLY DATA BY FACTOR)

INDOOR MODEL		CFM	MBTUH TOT	SYST KW
TXC031S3+*UD100R9V3	NOMINAL	1000	0.99	0.93
	LOW	875	0.97	0.90
	HIGH	1125	0.99	0.94
TXC031S3+*UY060R9V3	NOMINAL	1000	0.95	0.87
	LOW	875	0.93	0.84
	HIGH	1125	0.95	0.88
TXC031S3+*UY080R9V3	NOMINAL	1000	0.95	0.85
	LOW	875	0.93	0.82
	HIGH	1125	0.95	0.86
TXC035C4+TAYTXVH-3	NOMINAL	1000	0.96	1.00
	LOW	875	0.94	0.97
	HIGH	1125	0.96	1.02
TXC035D4+TAYTXVH-3	NOMINAL	1000	0.96	1.00
	LOW	875	0.94	0.97
	HIGH	1125	0.96	1.02
TXC036C4+TAYTXVH-3	NOMINAL	1000	0.99	1.01
	LOW	875	0.97	0.97
	HIGH	1125	0.99	1.03
TXC036D4+TAYTXVH-3	NOMINAL	1000	0.98	1.00
	LOW	875	0.96	0.97
	HIGH	1125	0.98	1.02
TXC036S3	NOMINAL	1000	1.00	1.01
	LOW	875	0.98	0.97
	HIGH	1125	1.01	1.03
TXC036S3+*DD060R9V3	NOMINAL	1000	0.98	0.88
	LOW	875	0.96	0.85
	HIGH	1125	0.98	0.89
TXC036S3+*DD080R9V3	NOMINAL	1000	0.97	0.87
	LOW	875	0.95	0.84
	HIGH	1125	0.97	0.88
TXC036S3+*DY060R9V3	NOMINAL	1000	0.96	0.86
	LOW	875	0.94	0.83
	HIGH	1125	0.96	0.87
TXC036S3+*DY080R9V3	NOMINAL	1000	0.96	0.89
	LOW	875	0.94	0.86
	HIGH	1125	0.96	0.90
TXC036S3+*UD060R9V3	NOMINAL	1000	1.00	0.92
	LOW	875	0.98	0.89
	HIGH	1125	1.01	0.93
TXC036S3+*UD080R9V3	NOMINAL	1000	0.99	0.89
	LOW	875	0.97	0.86
	HIGH	1125	0.99	0.90
TXC036S3+*UD080R9V4	NOMINAL	1000	0.98	0.86
	LOW	875	0.96	0.83
	HIGH	1125	0.98	0.87
TXC036S3+*UD100R9V3	NOMINAL	1000	1.00	0.92
	LOW	875	0.98	0.89
	HIGH	1125	1.01	0.93
TXC036S3+*UY060R9V3	NOMINAL	1000	0.96	0.87
	LOW	875	0.94	0.84
	HIGH	1125	0.96	0.88
TXC036S3+*UY080R9V3	NOMINAL	1000	0.96	0.84
	LOW	875	0.94	0.81
	HIGH	1125	0.96	0.85
TXC037S3	NOMINAL	1000	1.01	1.02
	LOW	875	0.98	0.98
	HIGH	1125	1.02	1.04
TXC037S3+*DY100R9V4	NOMINAL	1000	1.00	0.91
	LOW	875	0.98	0.88
	HIGH	1125	1.01	0.92
TXC037S3+*UY100R9V4	NOMINAL	1000	1.00	0.89
	LOW	875	0.98	0.86
	HIGH	1125	1.01	0.90

CORRECTION FACTORS FOR OTHER COMBINATIONS (MULTIPLY DATA BY FACTOR)

INDOOR MODEL		CFM	MBTUH TOT	SYST KW
TXH033A4+TAYTXVH-3	NOMINAL	1000	0.96	0.99
	LOW	875	0.94	0.96
	HIGH	1125	0.96	1.00
TXH033A4+TAYTXVH-3+*DD060R9V3	NOMINAL	1000	0.94	0.85
	LOW	875	0.92	0.82
	HIGH	1125	0.94	0.86
TXH033A4+TAYTXVH-3+*DD080R9V3	NOMINAL	1000	0.93	0.84
	LOW	875	0.91	0.81
	HIGH	1125	0.93	0.85
TXH033A4+TAYTXVH-3+*DY060R9V3	NOMINAL	1000	0.92	0.83
	LOW	875	0.90	0.80
	HIGH	1125	0.92	0.84
TXH033A4+TAYTXVH-3+*UD060R9V3	NOMINAL	1000	0.95	0.89
	LOW	875	0.93	0.86
	HIGH	1125	0.95	0.90
TXH033A4+TAYTXVH-3+*UD080R9V3	NOMINAL	1000	0.95	0.86
	LOW	875	0.93	0.83
	HIGH	1125	0.95	0.87
TXH033A4+TAYTXVH-3+*UD080R9V4	NOMINAL	1000	0.94	0.83
	LOW	875	0.92	0.80
	HIGH	1125	0.94	0.84
TXH033A4+TAYTXVH-3+*UD100R9V3	NOMINAL	1000	0.95	0.88
	LOW	875	0.93	0.85
	HIGH	1125	0.95	0.89
TXH033A4+TAYTXVH-3+*UY060R9V3	NOMINAL	1000	0.93	0.84
	LOW	875	0.91	0.81
	HIGH	1125	0.93	0.85
TXH041A4+TAYTXVH-3	NOMINAL	1000	1.00	1.00
	LOW	875	0.98	0.97
	HIGH	1125	1.01	1.02
TXH041A4+TAYTXVH-3+*DD060R9V3	NOMINAL	1000	0.97	0.87
	LOW	875	0.95	0.84
	HIGH	1125	0.97	0.88
TXH041A4+TAYTXVH-3+*DD080R9V3	NOMINAL	1000	0.96	0.86
	LOW	875	0.94	0.83
	HIGH	1125	0.96	0.87
TXH041A4+TAYTXVH-3+*DY060R9V3	NOMINAL	1000	0.95	0.85
	LOW	875	0.93	0.82
	HIGH	1125	0.95	0.86
TXH041A4+TAYTXVH-3+*DY080R9V3	NOMINAL	1000	0.96	0.88
	LOW	875	0.94	0.85
	HIGH	1125	0.96	0.89
TXH041A4+TAYTXVH-3+*UD060R9V3	NOMINAL	1000	0.98	0.90
	LOW	875	0.96	0.87
	HIGH	1125	0.98	0.91
TXH041A4+TAYTXVH-3+*UD080R9V3	NOMINAL	1000	0.97	0.87
	LOW	875	0.95	0.84
	HIGH	1125	0.97	0.88
TXH041A4+TAYTXVH-3+*UD080R9V4	NOMINAL	1000	0.96	0.84
	LOW	875	0.94	0.81
	HIGH	1125	0.96	0.85
TXH041A4+TAYTXVH-3+*UD100R9V3	NOMINAL	1000	0.98	0.90
	LOW	875	0.96	0.87
	HIGH	1125	0.98	0.91
TXH041A4+TAYTXVH-3+*UY060R9V3	NOMINAL	1000	0.95	0.85
	LOW	875	0.93	0.82
	HIGH	1125	0.95	0.86
TXH041A4+TAYTXVH-3+*UY080R9V3	NOMINAL	1000	0.94	0.84
	LOW	875	0.92	0.81
	HIGH	1125	0.94	0.85



Performance Data Heating

2TWA3036A3/4

2TWA3036A3/4 WITH 2TEC3F36A1 AT 1200 CFM

O.D. TEMP. F.	HEATING CAPACITY MBH AT INDOOR DRY BULB TEMP.			TOTAL POWER IN KILOWATTS AT INDOOR DRY BULB TEMP.		
	70	75	80	70	75	80
2	10.30	10.19	10.10	2.42	2.49	2.56
7	12.73	12.60	12.49	2.49	2.57	2.64
12	15.16	15.01	14.87	2.57	2.64	2.72
17	17.60	17.42	17.26	2.64	2.72	2.80
22	19.16	18.97	18.80	2.71	2.79	2.87
27	20.73	20.53	20.34	2.78	2.86	2.94
32	22.30	22.08	21.88	2.85	2.93	3.02
37	24.74	24.49	24.26	2.92	3.01	3.10
42	28.47	28.18	27.92	3.01	3.10	3.19
47	32.20	31.87	31.58	3.10	3.19	3.28
52	34.63	34.28	33.97	3.17	3.27	3.36
57	37.06	36.69	36.36	3.25	3.35	3.44
62	39.50	39.10	38.74	3.32	3.42	3.52
67	41.93	41.51	41.13	3.40	3.50	3.60
72	44.36	43.92	43.52	3.48	3.58	3.68

CORRECTION FACTORS FOR OTHER AIRFLOWS (MULTIPLY DATA BY FACTOR)

AIRFLOW	TOTAL CAPACITY	SENSIBLE CAPACITY
LOW	1050	0.98
HIGH	1350	1.01

NOTE: ALL TABLES ABOVE ARE AT ARI RATING CONDITIONS RATED WITH 25 FEET OF REFRIGERANT LINES.

CORRECTION FACTORS FOR OTHER COMBINATIONS (MULTIPLY DATA BY FACTOR)

INDOOR MODEL	CFM	MBTUH TOT	SYST KW
2TEC3F42A1	NOMINAL	1200	0.99
	LOW	1050	0.97
	HIGH	1350	0.99
2TEC3F48A1	NOMINAL	1200	1.00
	LOW	1050	0.98
	HIGH	1350	1.01
2TFE3F25B1	NOMINAL	1200	0.95
	LOW	1050	0.93
	HIGH	1350	0.95
2TGB3F36A1	NOMINAL	1200	0.96
	LOW	1050	0.94
	HIGH	1350	0.96
2TGB3F42A1	NOMINAL	1200	1.00
	LOW	1050	0.98
	HIGH	1350	1.01
2TGB3F48A1	NOMINAL	1200	1.00
	LOW	1050	0.98
	HIGH	1350	1.01
2TXCB036AC3	NOMINAL	1200	0.95
	LOW	1050	0.93
	HIGH	1350	0.95
2TXCB036AC3+*DD060R9V3	NOMINAL	1200	0.95
	LOW	1050	0.93
	HIGH	1350	0.95
2TXCB036AC3+*DD080R9V3	NOMINAL	1200	0.93
	LOW	1050	0.91
	HIGH	1350	0.93
2TXCB036AC3+*DY060R9V3	NOMINAL	1200	0.92
	LOW	1050	0.90
	HIGH	1350	0.92
2TXCB036AC3+*DY080R9V3	NOMINAL	1200	0.93
	LOW	1050	0.91
	HIGH	1350	0.93
2TXCB036AC3+*UD060R9V3	NOMINAL	1200	0.95
	LOW	1050	0.93
	HIGH	1350	0.95

CORRECTION FACTORS FOR OTHER COMBINATIONS (MULTIPLY DATA BY FACTOR)

INDOOR MODEL	CFM	MBTUH TOT	SYST KW
2TXCB036AC3+*UD080R9V3	NOMINAL	1200	0.95
	LOW	1050	0.93
	HIGH	1350	0.95
2TXCB036AC3+*UD080R9V4	NOMINAL	1200	0.93
	LOW	1050	0.91
	HIGH	1350	0.93
2TXCB036AC3+*UD100R9V3	NOMINAL	1200	0.96
	LOW	1050	0.94
	HIGH	1350	0.96
2TXCB036AC3+*UY060R9V3	NOMINAL	1200	0.93
	LOW	1050	0.91
	HIGH	1350	0.93
2TXCB036AC3+*UY080R9V3	NOMINAL	1200	0.91
	LOW	1050	0.89
	HIGH	1350	0.91
2TXCB036AS3	NOMINAL	1200	0.96
	LOW	1050	0.94
	HIGH	1350	0.96
2TXCB036AS3+*DD060R9V3	NOMINAL	1200	0.96
	LOW	1050	0.94
	HIGH	1350	0.96
2TXCB036AS3+*DD080R9V3	NOMINAL	1200	0.94
	LOW	1050	0.92
	HIGH	1350	0.94
2TXCB036AS3+*DY060R9V3	NOMINAL	1200	0.93
	LOW	1050	0.91
	HIGH	1350	0.93
2TXCB036AS3+*DY080R9V3	NOMINAL	1200	0.94
	LOW	1050	0.92
	HIGH	1350	0.94
2TXCB036AS3+*UD060R9V3	NOMINAL	1200	0.96
	LOW	1050	0.94
	HIGH	1350	0.96
2TXCB036AS3+*UD080R9V3	NOMINAL	1200	0.96
	LOW	1050	0.94
	HIGH	1350	0.96
2TXCB036AS3+*UD080R9V4	NOMINAL	1200	0.95
	LOW	1050	0.93
	HIGH	1350	0.95
2TXCB036AS3+*UD100R9V3	NOMINAL	1200	0.97
	LOW	1050	0.95
	HIGH	1350	0.97
2TXCB036AS3+*UY060R9V3	NOMINAL	1200	0.93
	LOW	1050	0.91
	HIGH	1350	0.93
2TXCB036AS3+*UY080R9V3	NOMINAL	1200	0.92
	LOW	1050	0.90
	HIGH	1350	0.92
2TXCB042AC3	NOMINAL	1200	0.96
	LOW	1050	0.94
	HIGH	1350	0.96
2TXCB042AC3+*DD060R9V3	NOMINAL	1200	0.96
	LOW	1050	0.94
	HIGH	1350	0.96
2TXCB042AC3+*DD080R9V3	NOMINAL	1200	0.94
	LOW	1050	0.92
	HIGH	1350	0.94
2TXCB042AC3+*DY060R9V3	NOMINAL	1200	0.94
	LOW	1050	0.92
	HIGH	1350	0.94
2TXCB042AC3+*DY080R9V3	NOMINAL	1200	0.95
	LOW	1050	0.93
	HIGH	1350	0.95



Performance Data Heating

2TWA3036A3/4

CORRECTION FACTORS FOR OTHER COMBINATIONS (MULTIPLY DATA BY FACTOR)

INDOOR MODEL		CFM	MBTUH TOT	SYST KW
2TXCB042AC3+*UD060R9V3	NOMINAL	1200	0.96	0.95
	LOW	1050	0.94	0.92
	HIGH	1350	0.96	0.96
2TXCB042AC3+*UD080R9V3	NOMINAL	1200	0.96	0.94
	LOW	1050	0.94	0.91
	HIGH	1350	0.96	0.95
2TXCB042AC3+*UD080R9V4	NOMINAL	1200	0.95	0.89
	LOW	1050	0.93	0.86
	HIGH	1350	0.95	0.90
2TXCB042AC3+*UD100R9V3	NOMINAL	1200	0.97	0.99
	LOW	1050	0.95	0.96
	HIGH	1350	0.97	1.00
2TXCB042AC3+*UY060R9V3	NOMINAL	1200	0.94	0.91
	LOW	1050	0.92	0.88
	HIGH	1350	0.94	0.92
2TXCB042AC3+*UY080R9V3	NOMINAL	1200	0.93	0.88
	LOW	1050	0.91	0.85
	HIGH	1350	0.93	0.89
2TXCB048AC3	NOMINAL	1200	0.98	0.99
	LOW	1050	0.96	0.96
	HIGH	1350	0.98	1.00
2TXCB048AC3+*DD060R9V3	NOMINAL	1200	0.96	0.88
	LOW	1050	0.94	0.85
	HIGH	1350	0.96	0.89
2TXCB048AC3+*DD080R9V3	NOMINAL	1200	0.95	0.87
	LOW	1050	0.93	0.84
	HIGH	1350	0.95	0.88
2TXCB048AC3+*DY060R9V3	NOMINAL	1200	0.93	0.86
	LOW	1050	0.91	0.83
	HIGH	1350	0.93	0.87
2TXCB048AC3+*DY080R9V3	NOMINAL	1200	0.95	0.90
	LOW	1050	0.93	0.87
	HIGH	1350	0.95	0.91
2TXCB048AC3+*UD060R9V3	NOMINAL	1200	0.96	0.91
	LOW	1050	0.94	0.88
	HIGH	1350	0.96	0.92
2TXCB048AC3+*UD080R9V3	NOMINAL	1200	0.96	0.89
	LOW	1050	0.94	0.86
	HIGH	1350	0.96	0.90
2TXCB048AC3+*UD080R9V4	NOMINAL	1200	0.95	0.83
	LOW	1050	0.93	0.80
	HIGH	1350	0.95	0.84
2TXCB048AC3+*UD100R9V3	NOMINAL	1200	0.96	0.91
	LOW	1050	0.94	0.88
	HIGH	1350	0.96	0.92
2TXCB048AC3+*UY060R9V3	NOMINAL	1200	0.93	0.86
	LOW	1050	0.91	0.83
	HIGH	1350	0.93	0.87
2TXCB048AC3+*UY080R9V3	NOMINAL	1200	0.93	0.84
	LOW	1050	0.91	0.81
	HIGH	1350	0.93	0.85
2TXCC037AC3	NOMINAL	1200	0.97	1.00
	LOW	1050	0.95	0.97
	HIGH	1350	0.97	1.02
2TXCC037AC3+*DY100R9V4	NOMINAL	1200	0.93	0.88
	LOW	1050	0.91	0.85
	HIGH	1350	0.93	0.89
2TXCC037AC3+*UY100R9V4	NOMINAL	1200	0.93	0.85
	LOW	1050	0.91	0.82
	HIGH	1350	0.93	0.86
2TXCC037AS3	NOMINAL	1200	0.97	1.00
	LOW	1050	0.95	0.97
	HIGH	1350	0.97	1.02

CORRECTION FACTORS FOR OTHER COMBINATIONS (MULTIPLY DATA BY FACTOR)

INDOOR MODEL		CFM	MBTUH TOT	SYST KW
2TXCC037AS3+*DY100R9V4	NOMINAL	1200	0.93	0.88
	LOW	1050	0.91	0.85
	HIGH	1350	0.93	0.89
2TXCC037AS3+*UY100R9V4	NOMINAL	1200	0.93	0.87
	LOW	1050	0.91	0.84
	HIGH	1350	0.93	0.88
2TXCC043AC3	NOMINAL	1200	0.96	0.99
	LOW	1050	0.94	0.96
	HIGH	1350	0.96	1.00
2TXCC043AC3+*DY100R9V4	NOMINAL	1200	0.93	0.88
	LOW	1050	0.91	0.85
	HIGH	1350	0.93	0.89
2TXCC043AC3+*UY100R9V4	NOMINAL	1200	0.93	0.85
	LOW	1050	0.91	0.82
	HIGH	1350	0.93	0.86
2TXCC054AS3	NOMINAL	1200	0.96	1.00
	LOW	1050	0.94	0.97
	HIGH	1350	0.96	1.02
2TXCC054AS3+*DY100R9V4	NOMINAL	1200	0.92	0.88
	LOW	1050	0.90	0.85
	HIGH	1350	0.92	0.89
2TXCC054AS3+*UY100R9V4	NOMINAL	1200	0.91	0.85
	LOW	1050	0.89	0.82
	HIGH	1350	0.91	0.86
2TXFH033AS3	NOMINAL	1200	0.93	0.98
	LOW	1050	0.91	0.95
	HIGH	1350	0.93	0.99
2TXFH033AS3+*DD060R9V3	NOMINAL	1200	0.91	0.89
	LOW	1050	0.89	0.86
	HIGH	1350	0.91	0.90
2TXFH033AS3+*DD080R9V3	NOMINAL	1200	0.90	0.88
	LOW	1050	0.88	0.85
	HIGH	1350	0.90	0.89
2TXFH033AS3+*DY060R9V3	NOMINAL	1200	0.90	0.87
	LOW	1050	0.88	0.84
	HIGH	1350	0.90	0.88
2TXFH033AS3+*DY080R9V3	NOMINAL	1200	0.91	0.91
	LOW	1050	0.89	0.88
	HIGH	1350	0.91	0.92
2TXFH033AS3+*DY100R9V4	NOMINAL	1200	0.89	0.86
	LOW	1050	0.87	0.83
	HIGH	1350	0.89	0.87
2TXFH033AS3+*UD060R9V3	NOMINAL	1200	0.92	0.93
	LOW	1050	0.90	0.90
	HIGH	1350	0.92	0.94
2TXFH033AS3+*UD080R9V3	NOMINAL	1200	0.91	0.91
	LOW	1050	0.89	0.88
	HIGH	1350	0.91	0.92
2TXFH033AS3+*UD080R9V4	NOMINAL	1200	0.90	0.85
	LOW	1050	0.88	0.82
	HIGH	1350	0.90	0.86
2TXFH033AS3+*UY060R9V3	NOMINAL	1200	0.90	0.88
	LOW	1050	0.88	0.85
	HIGH	1350	0.90	0.89
2TXFH033AS3+*UY080R9V3	NOMINAL	1200	0.89	0.85
	LOW	1050	0.87	0.82
	HIGH	1350	0.89	0.86
2TXFH033AS3+*UY100R9V4	NOMINAL	1200	0.89	0.84
	LOW	1050	0.87	0.81
	HIGH	1350	0.89	0.85
2TXFH041AS3	NOMINAL	1200	0.97	1.00
	LOW	1050	0.95	0.97
	HIGH	1350	0.97	1.02



Performance Data Heating

2TWA3036A3/4

CORRECTION FACTORS FOR OTHER COMBINATIONS (MULTIPLY DATA BY FACTOR)

INDOOR MODEL		CFM	MBTUH TOT	SYST KW
2TXFH041AS3+*DD060R9V3	NOMINAL	1200	0.95	0.90
	LOW	1050	0.93	0.87
	HIGH	1350	0.95	0.91
2TXFH041AS3+*DD080R9V3	NOMINAL	1200	0.95	0.89
	LOW	1050	0.93	0.86
	HIGH	1350	0.95	0.90
2TXFH041AS3+*DY060R9V3	NOMINAL	1200	0.93	0.88
	LOW	1050	0.91	0.85
	HIGH	1350	0.93	0.89
2TXFH041AS3+*DY080R9V3	NOMINAL	1200	0.95	0.92
	LOW	1050	0.93	0.89
	HIGH	1350	0.95	0.93
2TXFH041AS3+*DY100R9V4	NOMINAL	1200	0.93	0.88
	LOW	1050	0.91	0.85
	HIGH	1350	0.93	0.89
2TXFH041AS3+*UD060R9V3	NOMINAL	1200	0.96	0.93
	LOW	1050	0.94	0.90
	HIGH	1350	0.96	0.94
2TXFH041AS3+*UD080R9V3	NOMINAL	1200	0.96	0.91
	LOW	1050	0.94	0.88
	HIGH	1350	0.96	0.92
2TXFH041AS3+*UD080R9V4	NOMINAL	1200	0.95	0.86
	LOW	1050	0.93	0.83
	HIGH	1350	0.95	0.87
2TXFH041AS3+*UD100R9V3	NOMINAL	1200	0.96	0.94
	LOW	1050	0.94	0.91
	HIGH	1350	0.96	0.95
2TXFH041AS3+*UY060R9V3	NOMINAL	1200	0.93	0.88
	LOW	1050	0.91	0.85
	HIGH	1350	0.93	0.89
2TXFH041AS3+*UY080R9V3	NOMINAL	1200	0.93	0.86
	LOW	1050	0.91	0.83
	HIGH	1350	0.93	0.87
2TXFH041AS3+*UY100R9V4	NOMINAL	1200	0.93	0.85
	LOW	1050	0.91	0.82
	HIGH	1350	0.93	0.86
TWE031E13	NOMINAL	1200	0.94	0.95
	LOW	1050	0.92	0.92
	HIGH	1350	0.94	0.96
TWE036C14+TAYTXVH-3	NOMINAL	1200	0.96	0.99
	LOW	1050	0.94	0.96
	HIGH	1350	0.96	1.00
TWE036P13	NOMINAL	1200	0.95	1.00
	LOW	1050	0.93	0.97
	HIGH	1350	0.95	1.02
TWE037E13	NOMINAL	1200	0.93	0.87
	LOW	1050	0.91	0.84
	HIGH	1350	0.93	0.88
TWE040E13	NOMINAL	1200	0.98	0.88
	LOW	1050	0.96	0.85
	HIGH	1350	0.98	0.89
TWE042C14+TAYTXVH-3	NOMINAL	1200	0.97	1.00
	LOW	1050	0.95	0.97
	HIGH	1350	0.97	1.02
TWE042P13	NOMINAL	1200	0.97	1.01
	LOW	1050	0.95	0.97
	HIGH	1350	0.97	1.03
TWE049E13	NOMINAL	1200	0.97	0.86
	LOW	1050	0.95	0.83
	HIGH	1350	0.97	0.87
TWG042A14+TAYTXVH-3	NOMINAL	1200	0.92	0.97
	LOW	1050	0.90	0.94
	HIGH	1350	0.92	0.98

CORRECTION FACTORS FOR OTHER COMBINATIONS (MULTIPLY DATA BY FACTOR)

INDOOR MODEL		CFM	MBTUH TOT	SYST KW
TXA036C4+TAYTXVH-3	NOMINAL	1200	0.96	0.99
	LOW	1050	0.94	0.96
	HIGH	1350	0.96	1.00
TXA037C4+TAYTXVH-3	NOMINAL	1200	0.95	0.99
	LOW	1050	0.93	0.96
	HIGH	1350	0.95	1.00
TXA042C4+TAYTXVH-3	NOMINAL	1200	0.96	0.99
	LOW	1050	0.94	0.96
	HIGH	1350	0.96	1.00
TXA043C4+TAYTXVH-3	NOMINAL	1200	0.95	0.99
	LOW	1050	0.93	0.96
	HIGH	1350	0.95	1.00
TXC031C4+TAYTXVH-3	NOMINAL	1200	0.93	0.97
	LOW	1050	0.91	0.94
	HIGH	1350	0.93	0.98
TXC031D4+TAYTXVH-3	NOMINAL	1200	0.91	0.96
	LOW	1050	0.89	0.93
	HIGH	1350	0.91	0.97
TXC036C4+TAYTXVH-3	NOMINAL	1200	0.96	0.99
	LOW	1050	0.94	0.96
	HIGH	1350	0.96	1.00
TXC036D4+TAYTXVH-3	NOMINAL	1200	0.95	0.99
	LOW	1050	0.93	0.96
	HIGH	1350	0.95	1.00
TXC036S3	NOMINAL	1200	0.98	0.99
	LOW	1050	0.96	0.96
	HIGH	1350	0.98	1.00
TXC036S3+*DD060R9V3	NOMINAL	1200	0.97	0.93
	LOW	1050	0.95	0.90
	HIGH	1350	0.97	0.94
TXC036S3+*DD080R9V3	NOMINAL	1200	0.96	0.91
	LOW	1050	0.94	0.88
	HIGH	1350	0.96	0.92
TXC036S3+*DY060R9V3	NOMINAL	1200	0.95	0.91
	LOW	1050	0.93	0.88
	HIGH	1350	0.95	0.92
TXC036S3+*DY080R9V3	NOMINAL	1200	0.96	0.94
	LOW	1050	0.94	0.91
	HIGH	1350	0.96	0.95
TXC036S3+*UD060R9V3	NOMINAL	1200	0.97	0.95
	LOW	1050	0.95	0.92
	HIGH	1350	0.97	0.96
TXC036S3+*UD080R9V3	NOMINAL	1200	0.97	0.95
	LOW	1050	0.95	0.92
	HIGH	1350	0.97	0.96
TXC036S3+*UD080R9V4	NOMINAL	1200	0.96	0.89
	LOW	1050	0.94	0.86
	HIGH	1350	0.96	0.90
TXC036S3+*UD100R9V3	NOMINAL	1200	0.98	0.99
	LOW	1050	0.96	0.96
	HIGH	1350	0.98	1.00
TXC036S3+*UY060R9V3	NOMINAL	1200	0.95	0.91
	LOW	1050	0.93	0.88
	HIGH	1350	0.95	0.92
TXC036S3+*UY080R9V3	NOMINAL	1200	0.94	0.89
	LOW	1050	0.92	0.86
	HIGH	1350	0.94	0.90
TXC037C4+TAYTXVH-3	NOMINAL	1200	0.95	0.99
	LOW	1050	0.93	0.96
	HIGH	1350	0.95	1.00
TXC037S3	NOMINAL	1200	0.99	1.00
	LOW	1050	0.97	0.97
	HIGH	1350	0.99	1.02



Performance Data Heating

2TWA3036A3/4

CORRECTION FACTORS FOR OTHER COMBINATIONS (MULTIPLY DATA BY FACTOR)

INDOOR MODEL		CFM	MBTUH TOT	SYST KW
TXC037S3+*DY100R9V4	NOMINAL	1200	0.95	0.89
	LOW	1050	0.93	0.86
	HIGH	1350	0.95	0.90
TXC037S3+*UY100R9V4	NOMINAL	1200	0.95	0.86
	LOW	1050	0.93	0.83
	HIGH	1350	0.95	0.87
TXC042C4+TAYTXVH-3	NOMINAL	1200	0.96	0.99
	LOW	1050	0.94	0.96
	HIGH	1350	0.96	1.00
TXC043C4+TAYTXVH-3	NOMINAL	1200	0.95	0.99
	LOW	1050	0.93	0.96
	HIGH	1350	0.95	1.00
TXC054S3	NOMINAL	1200	0.97	1.00
	LOW	1050	0.95	0.97
	HIGH	1350	0.97	1.02
TXC054S3+*DY100R9V4	NOMINAL	1200	0.93	0.88
	LOW	1050	0.91	0.85
	HIGH	1350	0.93	0.89
TXC054S3+*UY100R9V4	NOMINAL	1200	0.93	0.85
	LOW	1050	0.91	0.82
	HIGH	1350	0.93	0.86
TXH033A4+TAYTXVH-3	NOMINAL	1200	0.93	0.98
	LOW	1050	0.91	0.95
	HIGH	1350	0.93	0.99
TXH033A4+TAYTXVH-3+*DD060R9V3	NOMINAL	1200	0.91	0.89
	LOW	1050	0.89	0.86
	HIGH	1350	0.91	0.90
TXH033A4+TAYTXVH-3+*DD080R9V3	NOMINAL	1200	0.90	0.88
	LOW	1050	0.88	0.85
	HIGH	1350	0.90	0.89
TXH033A4+TAYTXVH-3+*DD100R9V5	NOMINAL	1200	0.90	0.85
	LOW	1050	0.88	0.82
	HIGH	1350	0.90	0.86
TXH033A4+TAYTXVH-3+*DY060R9V3	NOMINAL	1200	0.90	0.87
	LOW	1050	0.88	0.84
	HIGH	1350	0.90	0.88
TXH033A4+TAYTXVH-3+*DY080R9V3	NOMINAL	1200	0.91	0.91
	LOW	1050	0.89	0.88
	HIGH	1350	0.91	0.92
TXH033A4+TAYTXVH-3+*DY100R9V4	NOMINAL	1200	0.89	0.86
	LOW	1050	0.87	0.83
	HIGH	1350	0.89	0.87
TXH033A4+TAYTXVH-3+*UD060R9V3	NOMINAL	1200	0.92	0.93
	LOW	1050	0.90	0.9
	HIGH	1350	0.92	0.94
TXH033A4+TAYTXVH-3+*UD080R9V3	NOMINAL	1200	0.91	0.90
	LOW	1050	0.89	0.87
	HIGH	1350	0.91	0.91
TXH033A4+TAYTXVH-3+*UD080R9V4	NOMINAL	1200	0.91	0.86
	LOW	1050	0.89	0.83
	HIGH	1350	0.91	0.87
TXH033A4+TAYTXVH-3+*UD100R9V5	NOMINAL	1200	0.91	0.86
	LOW	1050	0.89	0.83
	HIGH	1350	0.91	0.87

CORRECTION FACTORS FOR OTHER COMBINATIONS (MULTIPLY DATA BY FACTOR)

INDOOR MODEL		CFM	MBTUH TOT	SYST KW
TXH033A4+TAYTXVH-3+*UY060R9V3	NOMINAL	1200	0.90	0.88
	LOW	1050	0.88	0.85
	HIGH	1350	0.90	0.89
TXH033A4+TAYTXVH-3+*UY080R9V3	NOMINAL	1200	0.89	0.85
	LOW	1050	0.87	0.82
	HIGH	1350	0.89	0.86
TXH033A4+TAYTXVH-3+*UY100R9V4	NOMINAL	1200	0.89	0.84
	LOW	1050	0.87	0.81
	HIGH	1350	0.89	0.85
TXH041A4+TAYTXVH-3	NOMINAL	1200	0.97	1.00
	LOW	1050	0.95	0.97
	HIGH	1350	0.97	1.02
TXH041A4+TAYTXVH-3+*DD060R9V3	NOMINAL	1200	0.95	0.90
	LOW	1050	0.93	0.87
	HIGH	1350	0.95	0.91
TXH041A4+TAYTXVH-3+*DD080R9V3	NOMINAL	1200	0.95	0.89
	LOW	1050	0.93	0.86
	HIGH	1350	0.95	0.90
TXH041A4+TAYTXVH-3+*DD100R9V5	NOMINAL	1200	0.95	0.85
	LOW	1050	0.93	0.82
	HIGH	1350	0.95	0.86
TXH041A4+TAYTXVH-3+*DY060R9V3	NOMINAL	1200	0.93	0.88
	LOW	1050	0.91	0.85
	HIGH	1350	0.93	0.89
TXH041A4+TAYTXVH-3+*DY080R9V3	NOMINAL	1200	0.95	0.92
	LOW	1050	0.93	0.89
	HIGH	1350	0.95	0.93
TXH041A4+TAYTXVH-3+*DY100R9V4	NOMINAL	1200	0.93	0.88
	LOW	1050	0.91	0.85
	HIGH	1350	0.93	0.89
TXH041A4+TAYTXVH-3+*UD060R9V3	NOMINAL	1200	0.96	0.93
	LOW	1050	0.94	0.90
	HIGH	1350	0.96	0.94
TXH041A4+TAYTXVH-3+*UD080R9V3	NOMINAL	1200	0.96	0.91
	LOW	1050	0.94	0.88
	HIGH	1350	0.96	0.92
TXH041A4+TAYTXVH-3+*UD080R9V4	NOMINAL	1200	0.95	0.86
	LOW	1050	0.93	0.83
	HIGH	1350	0.95	0.87
TXH041A4+TAYTXVH-3+*UD100R9V3	NOMINAL	1200	0.96	0.94
	LOW	1050	0.94	0.91
	HIGH	1350	0.96	0.95
TXH041A4+TAYTXVH-3+*UD100R9V5	NOMINAL	1200	0.95	0.86
	LOW	1050	0.93	0.83
	HIGH	1350	0.95	0.87
TXH041A4+TAYTXVH-3+*UY060R9V3	NOMINAL	1200	0.93	0.88
	LOW	1050	0.91	0.85
	HIGH	1350	0.93	0.89
TXH041A4+TAYTXVH-3+*UY080R9V3	NOMINAL	1200	0.93	0.86
	LOW	1050	0.91	0.83
	HIGH	1350	0.93	0.87
TXH041A4+TAYTXVH-3+*UY100R9V4	NOMINAL	1200	0.93	0.85
	LOW	1050	0.91	0.82
	HIGH	1350	0.93	0.86



Performance Data Heating

2TWA3042A3/4

2TWA3042A3/4 WITH 2TEC3F42A1 AT 1400 CFM

O.D. TEMP. F.	HEATING CAPACITY MBH AT INDOOR DRY BULB TEMP.			TOTAL POWER IN KILOWATTS AT INDOOR DRY BULB TEMP.		
	70	75	80	70	75	80
2	14.00	13.86	13.73	2.83	2.91	3.00
7	16.53	16.36	16.21	2.91	3.00	3.08
12	19.06	18.87	18.70	2.99	3.08	3.17
17	21.60	21.38	21.18	3.08	3.17	3.26
22	23.37	23.13	22.92	3.16	3.26	3.35
27	25.14	24.89	24.66	3.25	3.35	3.44
32	26.92	26.65	26.40	3.34	3.44	3.54
37	29.45	29.15	28.89	3.42	3.52	3.62
42	33.12	32.79	32.49	3.50	3.60	3.71
47	36.80	36.43	36.10	3.57	3.68	3.79
52	39.33	38.93	38.58	3.66	3.77	3.88
57	41.86	41.44	41.07	3.74	3.85	3.96
62	44.40	43.95	43.55	3.82	3.94	4.05
67	46.93	46.46	46.04	3.91	4.02	4.14
72	49.46	48.97	48.52	3.99	4.11	4.23

CORRECTION FACTORS FOR OTHER AIRFLOWS (MULTIPLY DATA BY FACTOR)

AIRFLOW	TOTAL CAPACITY	SENSIBLE CAPACITY
LOW	1.225	0.98
HIGH	1.575	1.01

NOTE: ALL TABLES ABOVE ARE AT ARI RATING CONDITIONS RATED WITH 25 FEET OF REFRIGERANT LINES.

CORRECTION FACTORS FOR OTHER COMBINATIONS (MULTIPLY DATA BY FACTOR)

INDOOR MODEL		CFM	MBTUH TOT	SYST KW
2TEC3F48A1	NOMINAL	1400	1.00	1.00
	LOW	1225	0.98	0.97
	HIGH	1575	1.01	1.02
2TEP3F48B1	NOMINAL	1400	1.00	1.00
	LOW	1225	0.98	0.97
	HIGH	1575	1.01	1.02
2TGB3F42A1	NOMINAL	1400	1.00	1.04
	LOW	1225	0.98	1.00
	HIGH	1575	1.01	1.06
2TGB3F48A1	NOMINAL	1400	1.01	1.06
	LOW	1225	0.98	1.02
	HIGH	1575	1.02	1.08
2TXCB036AS3	NOMINAL	1400	0.95	0.99
	LOW	1225	0.93	0.96
	HIGH	1575	0.95	1.00
2TXCB036AS3+*UD080R9V4	NOMINAL	1400	0.96	0.95
	LOW	1225	0.94	0.92
	HIGH	1575	0.96	0.96
2TXCB042AC3	NOMINAL	1400	0.95	0.99
	LOW	1225	0.93	0.96
	HIGH	1575	0.95	1.00
2TXCB042AC3+*UD080R9V4	NOMINAL	1400	0.96	0.94
	LOW	1225	0.94	0.91
	HIGH	1575	0.96	0.95
2TXCB048AC3	NOMINAL	1400	0.98	1.00
	LOW	1225	0.96	0.97
	HIGH	1575	0.98	1.02
2TXCB048AC3+*UD080R9V4	NOMINAL	1400	0.96	0.87
	LOW	1225	0.94	0.84
	HIGH	1575	0.96	0.88
2TXCC037AS3	NOMINAL	1400	0.98	1.01
	LOW	1225	0.96	0.97
	HIGH	1575	0.98	1.03
2TXCC037AS3+*DD100R9V5	NOMINAL	1400	0.97	0.94
	LOW	1225	0.95	0.91
	HIGH	1575	0.97	0.95

CORRECTION FACTORS FOR OTHER COMBINATIONS (MULTIPLY DATA BY FACTOR)

INDOOR MODEL		CFM	MBTUH TOT	SYST KW
2TXCC037AS3+*DY100R9V4	NOMINAL	1400	0.95	0.93
	LOW	1225	0.93	0.90
	HIGH	1575	0.95	0.94
2TXCC037AS3+*UY100R9V4	NOMINAL	1400	0.94	0.90
	LOW	1225	0.92	0.87
	HIGH	1575	0.94	0.91
2TXCC043AC3	NOMINAL	1400	0.97	1.01
	LOW	1225	0.95	0.97
	HIGH	1575	0.97	1.03
2TXCC043AC3+*DY100R9V4	NOMINAL	1400	0.94	0.92
	LOW	1225	0.92	0.89
	HIGH	1575	0.94	0.93
2TXCC043AC3+*UY100R9V4	NOMINAL	1400	0.94	0.90
	LOW	1225	0.92	0.87
	HIGH	1575	0.94	0.91
2TXCC049AC3	NOMINAL	1400	0.98	1.01
	LOW	1225	0.96	0.97
	HIGH	1575	0.98	1.03
2TXCC049AC3+*DY100R9V4	NOMINAL	1400	0.95	0.93
	LOW	1225	0.93	0.90
	HIGH	1575	0.95	0.94
2TXCC049AC3+*UY100R9V4	NOMINAL	1400	0.94	0.90
	LOW	1225	0.92	0.87
	HIGH	1575	0.94	0.91
2TXCC054AS3	NOMINAL	1400	0.96	1.01
	LOW	1225	0.94	0.97
	HIGH	1575	0.96	1.03
2TXCC054AS3+*DD100R9V5	NOMINAL	1400	0.95	0.93
	LOW	1225	0.93	0.90
	HIGH	1575	0.95	0.94
2TXCC054AS3+*DY100R9V4	NOMINAL	1400	0.93	0.93
	LOW	1225	0.91	0.90
	HIGH	1575	0.93	0.94
2TXCC054AS3+*UD100R9V5	NOMINAL	1400	0.96	0.95
	LOW	1225	0.94	0.92
	HIGH	1575	0.96	0.96
2TXCC054AS3+*UY100R9V4	NOMINAL	1400	0.93	0.90
	LOW	1225	0.91	0.87
	HIGH	1575	0.93	0.91
2TXCC060AC3	NOMINAL	1400	1.00	1.01
	LOW	1225	0.98	0.97
	HIGH	1575	1.01	1.03
2TXCC060AC3+*DY100R9V4	NOMINAL	1400	0.96	0.93
	LOW	1225	0.94	0.90
	HIGH	1575	0.96	0.94
2TXCC060AC3+*UY100R9V4	NOMINAL	1400	0.96	0.92
	LOW	1225	0.94	0.89
	HIGH	1575	0.96	0.93
2TXCD050AC3	NOMINAL	1400	0.98	1.00
	LOW	1225	0.96	0.97
	HIGH	1575	0.98	1.02
2TXCD050AC3+*DD120R9V5	NOMINAL	1400	0.96	0.89
	LOW	1225	0.94	0.86
	HIGH	1575	0.96	0.90
2TXCD050AC3+*DY120R9V5	NOMINAL	1400	0.95	0.90
	LOW	1225	0.93	0.87
	HIGH	1575	0.95	0.91
2TXCD050AC3+*UD120R9V5	NOMINAL	1400	0.96	0.89
	LOW	1225	0.94	0.86
	HIGH	1575	0.96	0.90
2TXCD050AC3+*UD140R9V5	NOMINAL	1400	0.96	0.89
	LOW	1225	0.94	0.86
	HIGH	1575	0.96	0.90



Performance Data Heating

2TWA3042A3/4

CORRECTION FACTORS FOR OTHER COMBINATIONS (MULTIPLY DATA BY FACTOR)

INDOOR MODEL		CFM	MBTUH TOT	SYST KW
2TXCD050AC3+*UY120R9V5	NOMINAL	1400	0.94	0.88
	LOW	1225	0.92	0.85
	HIGH	1575	0.94	0.89
2TXCD065AS3	NOMINAL	1400	0.97	1.01
	LOW	1225	0.95	0.97
	HIGH	1575	0.97	1.03
2TXCD065AS3+*DD120R9V5	NOMINAL	1400	0.96	0.90
	LOW	1225	0.94	0.87
	HIGH	1575	0.96	0.91
2TXCD065AS3+*DY120R9V5	NOMINAL	1400	0.94	0.91
	LOW	1225	0.92	0.88
	HIGH	1575	0.94	0.92
2TXCD065AS3+*UD120R9V5	NOMINAL	1400	0.96	0.90
	LOW	1225	0.94	0.87
	HIGH	1575	0.96	0.91
2TXCD065AS3+*UD140R9V5	NOMINAL	1400	0.95	0.90
	LOW	1225	0.93	0.87
	HIGH	1575	0.95	0.91
2TXCD065AS3+*UY120R9V5	NOMINAL	1400	0.93	0.88
	LOW	1225	0.91	0.85
	HIGH	1575	0.93	0.89
2TXFH041AS3	NOMINAL	1400	0.97	1.01
	LOW	1225	0.95	0.97
	HIGH	1575	0.97	1.03
2TXFH041AS3+*DD100R9V5	NOMINAL	1400	0.96	0.91
	LOW	1225	0.94	0.88
	HIGH	1575	0.96	0.92
2TXFH041AS3+*DD120R9V5	NOMINAL	1400	0.95	0.88
	LOW	1225	0.93	0.85
	HIGH	1575	0.95	0.89
2TXFH041AS3+*DY100R9V4	NOMINAL	1400	0.94	0.92
	LOW	1225	0.92	0.89
	HIGH	1575	0.94	0.93
2TXFH041AS3+*DY120R9V5	NOMINAL	1400	0.94	0.89
	LOW	1225	0.92	0.86
	HIGH	1575	0.94	0.90
2TXFH041AS3+*UD080R9V4	NOMINAL	1400	0.96	0.91
	LOW	1225	0.94	0.88
	HIGH	1575	0.96	0.92
2TXFH041AS3+*UD100R9V5	NOMINAL	1400	0.96	0.92
	LOW	1225	0.94	0.89
	HIGH	1575	0.96	0.93
2TXFH041AS3+*UD120R9V5	NOMINAL	1400	0.95	0.88
	LOW	1225	0.93	0.85
	HIGH	1575	0.95	0.89
2TXFH041AS3+*UD140R9V5	NOMINAL	1400	0.95	0.88
	LOW	1225	0.93	0.85
	HIGH	1575	0.95	0.89
2TXFH041AS3+*UY100R9V4	NOMINAL	1400	0.94	0.89
	LOW	1225	0.92	0.86
	HIGH	1575	0.94	0.90
2TXFH041AS3+*UY120R9V5	NOMINAL	1400	0.93	0.88
	LOW	1225	0.91	0.85
	HIGH	1575	0.93	0.89
2TXFH054AS3	NOMINAL	1400	1.00	1.02
	LOW	1225	0.98	0.98
	HIGH	1575	1.01	1.04
2TXFH054AS3+*DD100R9V5	NOMINAL	1400	0.99	0.94
	LOW	1225	0.97	0.91
	HIGH	1575	0.99	0.95
2TXFH054AS3+*DD120R9V5	NOMINAL	1400	0.99	0.92
	LOW	1225	0.97	0.89
	HIGH	1575	0.99	0.93

CORRECTION FACTORS FOR OTHER COMBINATIONS (MULTIPLY DATA BY FACTOR)

INDOOR MODEL		CFM	MBTUH TOT	SYST KW
2TXFH054AS3+*DY100R9V4	NOMINAL	1400	0.97	0.94
	LOW	1225	0.95	0.91
	HIGH	1575	0.97	0.95
2TXFH054AS3+*DY120R9V5	NOMINAL	1400	0.96	0.91
	LOW	1225	0.94	0.88
	HIGH	1575	0.96	0.92
2TXFH054AS3+*UD080R9V4	NOMINAL	1400	0.99	0.93
	LOW	1225	0.97	0.90
	HIGH	1575	0.99	0.94
2TXFH054AS3+*UD100R9V5	NOMINAL	1400	1.00	0.96
	LOW	1225	0.98	0.93
	HIGH	1575	1.01	0.97
2TXFH054AS3+*UD120R9V5	NOMINAL	1400	0.99	0.93
	LOW	1225	0.97	0.90
	HIGH	1575	0.99	0.94
2TXFH054AS3+*UD140R9V5	NOMINAL	1400	0.98	0.92
	LOW	1225	0.96	0.89
	HIGH	1575	0.98	0.93
2TXFH054AS3+*UY100R9V4	NOMINAL	1400	0.97	0.92
	LOW	1225	0.95	0.89
	HIGH	1575	0.97	0.93
2TXFH054AS3+*UY120R9V5	NOMINAL	1400	0.96	0.90
	LOW	1225	0.94	0.87
	HIGH	1575	0.96	0.91
2TXFH063AS3	NOMINAL	1400	1.02	1.02
	LOW	1225	0.99	0.98
	HIGH	1575	1.03	1.04
2TXFH063AS3+*DD100R9V5	NOMINAL	1400	1.01	0.93
	LOW	1225	0.98	0.90
	HIGH	1575	1.02	0.94
2TXFH063AS3+*DD120R9V5	NOMINAL	1400	1.01	0.91
	LOW	1225	0.98	0.88
	HIGH	1575	1.02	0.92
2TXFH063AS3+*DY100R9V4	NOMINAL	1400	0.99	0.94
	LOW	1225	0.97	0.91
	HIGH	1575	0.99	0.95
2TXFH063AS3+*DY120R9V5	NOMINAL	1400	0.98	0.91
	LOW	1225	0.96	0.88
	HIGH	1575	0.98	0.92
2TXFH063AS3+*UD080R9V4	NOMINAL	1400	1.01	0.93
	LOW	1225	0.98	0.90
	HIGH	1575	1.02	0.94
2TXFH063AS3+*UD100R9V5	NOMINAL	1400	1.02	0.94
	LOW	1225	0.99	0.91
	HIGH	1575	1.03	0.95
2TXFH063AS3+*UD120R9V5	NOMINAL	1400	1.01	0.91
	LOW	1225	0.98	0.88
	HIGH	1575	1.02	0.92
2TXFH063AS3+*UD140R9V5	NOMINAL	1400	1.01	0.91
	LOW	1225	0.98	0.88
	HIGH	1575	1.02	0.92
2TXFH063AS3+*UY100R9V4	NOMINAL	1400	0.98	0.91
	LOW	1225	0.96	0.88
	HIGH	1575	0.98	0.92
2TXFH063AS3+*UY120R9V5	NOMINAL	1400	0.98	0.90
	LOW	1225	0.96	0.87
	HIGH	1575	0.98	0.91
TWE037E13	NOMINAL	1400	0.95	0.93
	LOW	1225	0.93	0.90
	HIGH	1575	0.95	0.94
TWE040E13	NOMINAL	1400	0.99	0.93
	LOW	1225	0.97	0.90
	HIGH	1575	0.99	0.94



Performance Data Heating

2TWA3042A3/4

CORRECTION FACTORS FOR OTHER COMBINATIONS (MULTIPLY DATA BY FACTOR)

INDOOR MODEL		CFM	MBTUH TOT	SYST KW
TWE042P13	NOMINAL	1400	0.97	1.01
	LOW	1225	0.95	0.97
	HIGH	1575	0.97	1.03
TWE048P13	NOMINAL	1400	1.02	1.01
	LOW	1225	0.99	0.97
	HIGH	1575	1.03	1.03
TWE049E13	NOMINAL	1400	0.98	0.92
	LOW	1225	0.96	0.89
	HIGH	1575	0.98	0.93
TWE060P13	NOMINAL	1400	1.02	1.02
	LOW	1225	0.99	0.98
	HIGH	1575	1.03	1.04
TWG048A14+TAYTXVH-3	NOMINAL	1400	0.97	1.00
	LOW	1225	0.95	0.97
	HIGH	1575	0.97	1.02
TXA042C4+TAYTXVH-3	NOMINAL	1400	0.96	0.99
	LOW	1225	0.94	0.96
	HIGH	1575	0.96	1.00
TXA048C4+TAYTXVH-3	NOMINAL	1400	0.97	1.01
	LOW	1225	0.95	0.97
	HIGH	1575	0.97	1.03
TXC036S3	NOMINAL	1400	0.97	0.99
	LOW	1225	0.95	0.96
	HIGH	1575	0.97	1.00
TXC036S3+*UD080R9V4	NOMINAL	1400	0.97	0.95
	LOW	1225	0.95	0.92
	HIGH	1575	0.97	0.96
TXC037S3	NOMINAL	1400	1.00	1.01
	LOW	1225	0.98	0.97
	HIGH	1575	1.01	1.03
TXC037S3+*DD100R9V5	NOMINAL	1400	0.98	0.94
	LOW	1225	0.96	0.91
	HIGH	1575	0.98	0.95
TXC037S3+*DY100R9V4	NOMINAL	1400	0.96	0.93
	LOW	1225	0.94	0.90
	HIGH	1575	0.96	0.94
TXC037S3+*UY100R9V4	NOMINAL	1400	0.96	0.90
	LOW	1225	0.94	0.87
	HIGH	1575	0.96	0.91
TXC042C4+TAYTXVH-3	NOMINAL	1400	0.94	0.98
	LOW	1225	0.92	0.95
	HIGH	1575	0.94	0.99
TXC048C4+TAYTXVH-3	NOMINAL	1400	0.96	1.00
	LOW	1225	0.94	0.97
	HIGH	1575	0.96	1.02
TXC054S3	NOMINAL	1400	0.97	1.01
	LOW	1225	0.95	0.97
	HIGH	1575	0.97	1.03
TXC054S3+*DD100R9V5	NOMINAL	1400	0.97	0.93
	LOW	1225	0.95	0.90
	HIGH	1575	0.97	0.94
TXC054S3+*DY100R9V4	NOMINAL	1400	0.95	0.93
	LOW	1225	0.93	0.90
	HIGH	1575	0.95	0.94
TXC054S3+*UD100R9V5	NOMINAL	1400	0.97	0.95
	LOW	1225	0.95	0.92
	HIGH	1575	0.97	0.96
TXC054S3+*UY100R9V4	NOMINAL	1400	0.94	0.90
	LOW	1225	0.92	0.87
	HIGH	1575	0.94	0.91
TXC065S3	NOMINAL	1400	0.98	1.00
	LOW	1225	0.96	0.97
	HIGH	1575	0.98	1.02

CORRECTION FACTORS FOR OTHER COMBINATIONS (MULTIPLY DATA BY FACTOR)

INDOOR MODEL		CFM	MBTUH TOT	SYST KW
TXC065S3+*DD120R9V5	NOMINAL	1400	0.97	0.90
	LOW	1225	0.95	0.87
	HIGH	1575	0.97	0.91
TXC065S3+*DY120R9V5	NOMINAL	1400	0.95	0.91
	LOW	1225	0.93	0.88
	HIGH	1575	0.95	0.92
TXC065S3+*UD120R9V5	NOMINAL	1400	0.97	0.90
	LOW	1225	0.95	0.87
	HIGH	1575	0.97	0.91
TXC065S3+*UD140R9V5	NOMINAL	1400	0.97	0.90
	LOW	1225	0.95	0.87
	HIGH	1575	0.97	0.91
TXC065S3+*UY120R9V5	NOMINAL	1400	0.95	0.89
	LOW	1225	0.93	0.86
	HIGH	1575	0.95	0.90
TXH041A4+TAYTXVH-3	NOMINAL	1400	0.97	1.01
	LOW	1225	0.95	0.97
	HIGH	1575	0.97	1.03
TXH041A4+TAYTXVH-3+*DD080R9V3	NOMINAL	1400	0.96	0.94
	LOW	1225	0.94	0.91
	HIGH	1575	0.96	0.95
TXH041A4+TAYTXVH-3+*DD100R9V5	NOMINAL	1400	0.96	0.91
	LOW	1225	0.94	0.88
	HIGH	1575	0.96	0.92
TXH041A4+TAYTXVH-3+*DD120R9V5	NOMINAL	1400	0.96	0.89
	LOW	1225	0.94	0.86
	HIGH	1575	0.96	0.90
TXH041A4+TAYTXVH-3+*DY120R9V5	NOMINAL	1400	0.94	0.89
	LOW	1225	0.92	0.86
	HIGH	1575	0.94	0.90
TXH041A4+TAYTXVH-3+*UD080R9V3	NOMINAL	1400	0.97	0.99
	LOW	1225	0.95	0.96
	HIGH	1575	0.97	1.00
TXH041A4+TAYTXVH-3+*UD080R9V4	NOMINAL	1400	0.96	0.91
	LOW	1225	0.94	0.88
	HIGH	1575	0.96	0.92
TXH041A4+TAYTXVH-3+*UD100R9V5	NOMINAL	1400	0.97	0.92
	LOW	1225	0.95	0.89
	HIGH	1575	0.97	0.93
TXH041A4+TAYTXVH-3+*UD120R9V5	NOMINAL	1400	0.95	0.88
	LOW	1225	0.93	0.85
	HIGH	1575	0.95	0.89
TXH041A4+TAYTXVH-3+*UD140R9V5	NOMINAL	1400	0.95	0.88
	LOW	1225	0.93	0.85
	HIGH	1575	0.95	0.89
TXH041A4+TAYTXVH-3+*UY080R9V3	NOMINAL	1400	0.94	0.91
	LOW	1225	0.92	0.88
	HIGH	1575	0.94	0.92
TXH041A4+TAYTXVH-3+*UY100R9V4	NOMINAL	1400	0.94	0.89
	LOW	1225	0.92	0.86
	HIGH	1575	0.94	0.90
TXH041A4+TAYTXVH-3+*UY120R9V5	NOMINAL	1400	0.93	0.88
	LOW	1225	0.91	0.85
	HIGH	1575	0.93	0.89
TXH054A4+TAYTXVH-3	NOMINAL	1400	1.00	1.02
	LOW	1225	0.98	0.98
	HIGH	1575	1.01	1.04
TXH054A4+TAYTXVH-3+*DD080R9V3	NOMINAL	1400	0.99	0.97
	LOW	1225	0.97	0.94
	HIGH	1575	0.99	0.98
TXH054A4+TAYTXVH-3+*DD100R9V5	NOMINAL	1400	1.00	0.94
	LOW	1225	0.98	0.91
	HIGH	1575	1.01	0.95



Performance Data Heating

2TWA3042A3/4

CORRECTION FACTORS FOR OTHER COMBINATIONS (MULTIPLY DATA BY FACTOR)

INDOOR MODEL		CFM	MBTUH TOT	SYST KW
TXH054A4+TAYTXVH-3+*DD120R9V5	NOMINAL	1400	0.99	0.92
	LOW	1225	0.97	0.89
	HIGH	1575	0.99	0.93
TXH054A4+TAYTXVH-3+*DY120R9V5	NOMINAL	1400	0.97	0.92
	LOW	1225	0.95	0.89
	HIGH	1575	0.97	0.93
TXH054A4+TAYTXVH-3+*UD080R9V3	NOMINAL	1400	1.01	1.02
	LOW	1225	0.98	0.98
	HIGH	1575	1.02	1.04
TXH054A4+TAYTXVH-3+*UD080R9V4	NOMINAL	1400	0.99	0.93
	LOW	1225	0.97	0.90
	HIGH	1575	0.99	0.94
TXH054A4+TAYTXVH-3+*UD100R9V5	NOMINAL	1400	1.00	0.96
	LOW	1225	0.98	0.93
	HIGH	1575	1.01	0.97
TXH054A4+TAYTXVH-3+*UD120R9V5	NOMINAL	1400	0.99	0.93
	LOW	1225	0.97	0.90
	HIGH	1575	0.99	0.94
TXH054A4+TAYTXVH-3+*UD140R9V5	NOMINAL	1400	0.98	0.92
	LOW	1225	0.96	0.89
	HIGH	1575	0.98	0.93
TXH054A4+TAYTXVH-3+*UY080R9V3	NOMINAL	1400	0.97	0.94
	LOW	1225	0.95	0.91
	HIGH	1575	0.97	0.95
TXH054A4+TAYTXVH-3+*UY100R9V4	NOMINAL	1400	0.97	0.92
	LOW	1225	0.95	0.89
	HIGH	1575	0.97	0.93
TXH054A4+TAYTXVH-3+*UY120R9V5	NOMINAL	1400	0.96	0.90
	LOW	1225	0.94	0.87
	HIGH	1575	0.96	0.91
TXH063P3	NOMINAL	1400	1.02	1.02
	LOW	1225	0.99	0.98
	HIGH	1575	1.03	1.04
TXH063P3+*DD080R9V3	NOMINAL	1400	1.01	0.97
	LOW	1225	0.98	0.94
	HIGH	1575	1.02	0.98

CORRECTION FACTORS FOR OTHER COMBINATIONS (MULTIPLY DATA BY FACTOR)

INDOOR MODEL		CFM	MBTUH TOT	SYST KW
TXH063P3+*DD100R9V5	NOMINAL	1400	1.01	0.93
	LOW	1225	0.98	0.90
	HIGH	1575	1.02	0.94
TXH063P3+*DD120R9V5	NOMINAL	1400	1.01	0.91
	LOW	1225	0.98	0.88
	HIGH	1575	1.02	0.92
TXH063P3+*DY100R9V4	NOMINAL	1400	0.99	0.94
	LOW	1225	0.97	0.91
	HIGH	1575	0.99	0.95
TXH063P3+*DY120R9V5	NOMINAL	1400	0.98	0.91
	LOW	1225	0.96	0.88
	HIGH	1575	0.98	0.92
TXH063P3+*UD080R9V3	NOMINAL	1400	1.03	1.01
	LOW	1225	1.00	0.97
	HIGH	1575	1.04	1.03
TXH063P3+*UD100R9V5	NOMINAL	1400	1.02	0.94
	LOW	1225	0.99	0.91
	HIGH	1575	1.03	0.95
TXH063P3+*UD120R9V5	NOMINAL	1400	1.01	0.91
	LOW	1225	0.98	0.88
	HIGH	1575	1.02	0.92
TXH063P3+*UD140R9V5	NOMINAL	1400	1.01	0.91
	LOW	1225	0.98	0.88
	HIGH	1575	1.02	0.92
TXH063P3+*UY080R9V3	NOMINAL	1400	0.99	0.94
	LOW	1225	0.97	0.91
	HIGH	1575	0.99	0.95
TXH063P3+*UY100R9V4	NOMINAL	1400	0.98	0.91
	LOW	1225	0.96	0.88
	HIGH	1575	0.98	0.92
TXH063P3+*UY120R9V5	NOMINAL	1400	0.98	0.90
	LOW	1225	0.96	0.87
	HIGH	1575	0.98	0.91



Performance Data Heating

2TWA3048A3/4

2TWA3048A3/4 WITH 2TEC3F48A1 AT 1600 CFM

O.D. TEMP. F.	HEATING CAPACITY MBH AT INDOOR DRY BULB TEMP.			TOTAL POWER IN KILOWATTS AT INDOOR DRY BULB TEMP.		
	70	75	80	70	75	80
2	15.95	15.79	15.64	3.07	3.17	3.26
7	18.90	18.71	18.54	3.19	3.29	3.38
12	21.85	21.63	21.43	3.31	3.41	3.51
17	24.80	24.55	24.32	3.43	3.53	3.63
22	26.90	26.63	26.39	3.53	3.64	3.74
27	29.00	28.71	28.45	3.63	3.74	3.85
32	31.11	30.79	30.51	3.73	3.84	3.96
37	34.06	33.71	33.41	3.85	3.97	4.08
42	38.28	37.89	37.55	3.99	4.11	4.23
47	42.50	42.07	41.69	4.14	4.26	4.38
52	45.45	44.99	44.58	4.25	4.38	4.51
57	48.40	47.91	47.48	4.37	4.50	4.63
62	51.35	50.83	50.37	4.49	4.62	4.76
67	54.30	53.75	53.26	4.61	4.75	4.88
72	57.25	56.67	56.16	4.73	4.87	5.01

CORRECTION FACTORS FOR OTHER AIRFLOWS (MULTIPLY DATA BY FACTOR)

AIRFLOW	TOTAL CAPACITY	SENSIBLE CAPACITY
LOW	1400	0.98
HIGH	1800	1.01

NOTE: ALL TABLES ABOVE ARE AT ARI RATING CONDITIONS RATED WITH 25 FEET OF REFRIGERANT LINES.

CORRECTION FACTORS FOR OTHER COMBINATIONS (MULTIPLY DATA BY FACTOR)

INDOOR MODEL	CFM	MBTUH TOT	SYST KW
2TEP3F48B1	NOMINAL	1600	1.01
	LOW	1400	0.98
	HIGH	1800	1.02
2TEP3F63B1	NOMINAL	1600	1.00
	LOW	1400	0.98
	HIGH	1800	1.01
2TGB3F48A1	NOMINAL	1600	1.01
	LOW	1400	0.98
	HIGH	1800	1.02
2TXCB048AC3	NOMINAL	1600	0.98
	LOW	1400	0.96
	HIGH	1800	0.98
2TXCB048AC3+*UD080R9V4	NOMINAL	1600	0.97
	LOW	1400	0.95
	HIGH	1800	0.97
2TXCC049AC3	NOMINAL	1600	0.97
	LOW	1400	0.95
	HIGH	1800	0.97
2TXCC049AC3+*DY100R9V4	NOMINAL	1600	0.96
	LOW	1400	0.94
	HIGH	1800	0.96
2TXCC049AC3+*UY100R9V4	NOMINAL	1600	0.95
	LOW	1400	0.93
	HIGH	1800	0.95
2TXCC054AS3	NOMINAL	1600	0.96
	LOW	1400	0.94
	HIGH	1800	0.96
2TXCC054AS3+*DD100R9V5	NOMINAL	1600	0.96
	LOW	1400	0.94
	HIGH	1800	0.96
2TXCC054AS3+*DY100R9V4	NOMINAL	1600	0.94
	LOW	1400	0.92
	HIGH	1800	0.94
2TXCC054AS3+*UD100R9V5	NOMINAL	1600	0.96
	LOW	1400	0.94
	HIGH	1800	0.96

CORRECTION FACTORS FOR OTHER COMBINATIONS (MULTIPLY DATA BY FACTOR)

INDOOR MODEL	CFM	MBTUH TOT	SYST KW
2TXCC054AS3+*UY100R9V4	NOMINAL	1600	0.94
	LOW	1400	0.92
	HIGH	1800	0.94
2TXCC060AC3	NOMINAL	1600	1.00
	LOW	1400	0.98
	HIGH	1800	1.01
2TXCC060AC3+*DY100R9V4	NOMINAL	1600	0.97
	LOW	1400	0.95
	HIGH	1800	0.97
2TXCC060AC3+*UY100R9V4	NOMINAL	1600	0.97
	LOW	1400	0.95
	HIGH	1800	0.97
2TXCD050AC3	NOMINAL	1600	0.98
	LOW	1400	0.96
	HIGH	1800	0.98
2TXCD050AC3+*DD120R9V5	NOMINAL	1600	0.97
	LOW	1400	0.95
	HIGH	1800	0.97
2TXCD050AC3+*DY120R9V5	NOMINAL	1600	0.96
	LOW	1400	0.94
	HIGH	1800	0.96
2TXCD050AC3+*UD120R9V5	NOMINAL	1600	0.97
	LOW	1400	0.95
	HIGH	1800	0.97
2TXCD050AC3+*UD140R9V5	NOMINAL	1600	0.97
	LOW	1400	0.95
	HIGH	1800	0.97
2TXCD050AC3+*UY120R9V5	NOMINAL	1600	0.95
	LOW	1400	0.93
	HIGH	1800	0.95
2TXCD061AC3	NOMINAL	1600	1.00
	LOW	1400	0.98
	HIGH	1800	1.01
2TXCD061AC3+*DD120R9V5	NOMINAL	1600	0.98
	LOW	1400	0.96
	HIGH	1800	0.98
2TXCD061AC3+*DY120R9V5	NOMINAL	1600	0.97
	LOW	1400	0.95
	HIGH	1800	0.97
2TXCD061AC3+*UD120R9V5	NOMINAL	1600	0.98
	LOW	1400	0.96
	HIGH	1800	0.98
2TXCD061AC3+*UD140R9V5	NOMINAL	1600	0.98
	LOW	1400	0.96
	HIGH	1800	0.98
2TXCD061AC3+*UY120R9V5	NOMINAL	1600	0.96
	LOW	1400	0.94
	HIGH	1800	0.96
2TXCD065AS3	NOMINAL	1600	0.97
	LOW	1400	0.95
	HIGH	1800	0.97
2TXCD065AS3+*DD120R9V5	NOMINAL	1600	0.96
	LOW	1400	0.94
	HIGH	1800	0.96
2TXCD065AS3+*DY120R9V5	NOMINAL	1600	0.95
	LOW	1400	0.93
	HIGH	1800	0.95
2TXCD065AS3+*UD120R9V5	NOMINAL	1600	0.97
	LOW	1400	0.95
	HIGH	1800	0.97
2TXCD065AS3+*UD140R9V5	NOMINAL	1600	0.96
	LOW	1400	0.94
	HIGH	1800	0.96



Performance Data Heating

2TWA3048A3/4

CORRECTION FACTORS FOR OTHER COMBINATIONS (MULTIPLY DATA BY FACTOR)

INDOOR MODEL		CFM	MBTUH TOT	SYST KW
2TXCD065AS3+*UY120R9V5	NOMINAL	1600	0.95	0.92
	LOW	1400	0.93	0.89
	HIGH	1800	0.95	0.93
2TXFH054AS3	NOMINAL	1600	1.01	1.02
	LOW	1400	0.98	0.98
	HIGH	1800	1.02	1.04
2TXFH054AS3+*DD100R9V5	NOMINAL	1600	1.01	0.99
	LOW	1400	0.98	0.96
	HIGH	1800	1.02	1.00
2TXFH054AS3+*DD120R9V5	NOMINAL	1600	1.00	0.95
	LOW	1400	0.98	0.92
	HIGH	1800	1.01	0.96
2TXFH054AS3+*DY100R9V4	NOMINAL	1600	0.98	0.98
	LOW	1400	0.96	0.95
	HIGH	1800	0.98	0.99
2TXFH054AS3+*DY120R9V5	NOMINAL	1600	0.98	0.96
	LOW	1400	0.96	0.93
	HIGH	1800	0.98	0.97
2TXFH054AS3+*UD080R9V4	NOMINAL	1600	1.00	0.98
	LOW	1400	0.98	0.95
	HIGH	1800	1.01	0.99
2TXFH054AS3+*UD100R9V5	NOMINAL	1600	1.01	1.00
	LOW	1400	0.98	0.97
	HIGH	1800	1.02	1.02
2TXFH054AS3+*UD120R9V5	NOMINAL	1600	1.00	0.96
	LOW	1400	0.98	0.93
	HIGH	1800	1.01	0.97
2TXFH054AS3+*UD140R9V5	NOMINAL	1600	1.00	0.96
	LOW	1400	0.98	0.93
	HIGH	1800	1.01	0.97
2TXFH054AS3+*UY100R9V4	NOMINAL	1600	0.98	0.97
	LOW	1400	0.96	0.94
	HIGH	1800	0.98	0.98
2TXFH054AS3+*UY120R9V5	NOMINAL	1600	0.97	0.94
	LOW	1400	0.95	0.91
	HIGH	1800	0.97	0.95
2TXFH063AS3	NOMINAL	1600	1.03	1.03
	LOW	1400	1.00	0.99
	HIGH	1800	1.04	1.05
2TXFH063AS3+*DD100R9V5	NOMINAL	1600	1.02	0.97
	LOW	1400	0.99	0.94
	HIGH	1800	1.03	0.98
2TXFH063AS3+*DD120R9V5	NOMINAL	1600	1.02	0.94
	LOW	1400	0.99	0.91
	HIGH	1800	1.03	0.95
2TXFH063AS3+*DY100R9V4	NOMINAL	1600	1.01	0.98
	LOW	1400	0.98	0.95
	HIGH	1800	1.02	0.99
2TXFH063AS3+*DY120R9V5	NOMINAL	1600	1.00	0.95
	LOW	1400	0.98	0.92
	HIGH	1800	1.01	0.96
2TXFH063AS3+*UD080R9V4	NOMINAL	1600	1.02	0.97
	LOW	1400	0.99	0.94
	HIGH	1800	1.03	0.98
2TXFH063AS3+*UD100R9V5	NOMINAL	1600	1.03	0.99
	LOW	1400	1.00	0.96
	HIGH	1800	1.04	1.00
2TXFH063AS3+*UD120R9V5	NOMINAL	1600	1.02	0.96
	LOW	1400	0.99	0.93
	HIGH	1800	1.03	0.97
2TXFH063AS3+*UD140R9V5	NOMINAL	1600	1.02	0.96
	LOW	1400	0.99	0.93
	HIGH	1800	1.03	0.97

CORRECTION FACTORS FOR OTHER COMBINATIONS (MULTIPLY DATA BY FACTOR)

INDOOR MODEL		CFM	MBTUH TOT	SYST KW
2TXFH063AS3+*UY100R9V4	NOMINAL	1600	1.00	0.95
	LOW	1400	0.98	0.92
	HIGH	1800	1.01	0.96
2TXFH063AS3+*UY120R9V5	NOMINAL	1600	1.00	0.94
	LOW	1400	0.98	0.91
	HIGH	1800	1.01	0.95
TWE042P13	NOMINAL	1600	0.97	1.03
	LOW	1400	0.95	0.99
	HIGH	1800	0.97	1.05
TWE048C14+TAYTXVH-3	NOMINAL	1600	0.98	1.02
	LOW	1400	0.96	0.98
	HIGH	1800	0.98	1.04
TWE048P13	NOMINAL	1600	1.02	1.04
	LOW	1400	0.99	1.00
	HIGH	1800	1.03	1.06
TWE049E13	NOMINAL	1600	1.00	0.96
	LOW	1400	0.98	0.93
	HIGH	1800	1.01	0.97
TWE060P13	NOMINAL	1600	1.02	1.04
	LOW	1400	0.99	1.00
	HIGH	1800	1.03	1.06
TWE065E13	NOMINAL	1600	0.94	0.88
	LOW	1400	0.92	0.85
	HIGH	1800	0.94	0.89
TWG048A14+TAYTXVH-3	NOMINAL	1600	0.97	1.02
	LOW	1400	0.95	0.98
	HIGH	1800	0.97	1.04
TXA049C4+TAYTXVH-3	NOMINAL	1600	0.96	0.99
	LOW	1400	0.94	0.96
	HIGH	1800	0.96	1.00
TXA050C4+TAYTXVH-3	NOMINAL	1600	0.97	1.00
	LOW	1400	0.95	0.97
	HIGH	1800	0.97	1.02
TXC049C4+TAYTXVH-3	NOMINAL	1600	0.96	0.99
	LOW	1400	0.94	0.96
	HIGH	1800	0.96	1.00
TXC050C4+TAYTXVH-3	NOMINAL	1600	0.97	1.00
	LOW	1400	0.95	0.97
	HIGH	1800	0.97	1.02
TXC054S3	NOMINAL	1600	0.97	1.00
	LOW	1400	0.95	0.97
	HIGH	1800	0.97	1.02
TXC054S3+*DD100R9V5	NOMINAL	1600	0.97	0.97
	LOW	1400	0.95	0.94
	HIGH	1800	0.97	0.98
TXC054S3+*DY100R9V4	NOMINAL	1600	0.96	0.97
	LOW	1400	0.94	0.94
	HIGH	1800	0.96	0.98
TXC054S3+*UD100R9V5	NOMINAL	1600	0.98	0.99
	LOW	1400	0.96	0.96
	HIGH	1800	0.98	1.00
TXC054S3+*UY100R9V4	NOMINAL	1600	0.95	0.95
	LOW	1400	0.93	0.92
	HIGH	1800	0.95	0.96
TXC065S3	NOMINAL	1600	1.00	1.01
	LOW	1400	0.98	0.97
	HIGH	1800	1.01	1.03
TXC065S3+*DD120R9V5	NOMINAL	1600	0.98	0.94
	LOW	1400	0.96	0.91
	HIGH	1800	0.98	0.95
TXC065S3+*DY120R9V5	NOMINAL	1600	0.96	0.94
	LOW	1400	0.94	0.91
	HIGH	1800	0.96	0.95



Performance Data Heating

2TWA3048A3/4

CORRECTION FACTORS FOR OTHER COMBINATIONS (MULTIPLY DATA BY FACTOR)

INDOOR MODEL		CFM	MBTUH TOT	SYST KW
TXC065S3+*UD120R9V5	NOMINAL	1600	0.98	0.94
	LOW	1400	0.96	0.91
	HIGH	1800	0.98	0.95
TXC065S3+*UD140R9V5	NOMINAL	1600	0.97	0.93
	LOW	1400	0.95	0.90
	HIGH	1800	0.97	0.94
TXC065S3+*UY120R9V5	NOMINAL	1600	0.96	0.92
	LOW	1400	0.94	0.89
	HIGH	1800	0.96	0.93
TXH054A4+TAYTXVH-3	NOMINAL	1600	1.01	1.02
	LOW	1400	0.98	0.98
	HIGH	1800	1.02	1.04
TXH054A4+TAYTXVH-3+*DD100R9V5	NOMINAL	1600	1.01	0.99
	LOW	1400	0.98	0.96
	HIGH	1800	1.02	1.00
TXH054A4+TAYTXVH-3+*DD120R9V5	NOMINAL	1600	1.00	0.95
	LOW	1400	0.98	0.92
	HIGH	1800	1.01	0.96
TXH054A4+TAYTXVH-3+*DY100R9V4	NOMINAL	1600	0.98	0.98
	LOW	1400	0.96	0.95
	HIGH	1800	0.98	0.99
TXH054A4+TAYTXVH-3+*DY120R9V5	NOMINAL	1600	0.98	0.96
	LOW	1400	0.96	0.93
	HIGH	1800	0.98	0.97
TXH054A4+TAYTXVH-3+*UD080R9V4	NOMINAL	1600	1.00	0.98
	LOW	1400	0.98	0.95
	HIGH	1800	1.01	0.99
TXH054A4+TAYTXVH-3+*UD100R9V5	NOMINAL	1600	1.01	1.00
	LOW	1400	0.98	0.97
	HIGH	1800	1.02	1.02
TXH054A4+TAYTXVH-3+*UD120R9V5	NOMINAL	1600	1.00	0.96
	LOW	1400	0.98	0.93
	HIGH	1800	1.01	0.97
TXH054A4+TAYTXVH-3+*UD140R9V5	NOMINAL	1600	1.00	0.96
	LOW	1400	0.98	0.93
	HIGH	1800	1.01	0.97

CORRECTION FACTORS FOR OTHER COMBINATIONS (MULTIPLY DATA BY FACTOR)

INDOOR MODEL		CFM	MBTUH TOT	SYST KW
TXH054A4+TAYTXVH-3+*UY100R9V4	NOMINAL	1600	0.98	0.97
	LOW	1400	0.96	0.94
	HIGH	1800	0.98	0.98
TXH054A4+TAYTXVH-3+*UY120R9V5	NOMINAL	1600	0.98	0.95
	LOW	1400	0.96	0.92
	HIGH	1800	0.98	0.96
TXH063P3+*DD100R9V5	NOMINAL	1600	1.02	0.97
	LOW	1400	0.99	0.94
	HIGH	1800	1.03	0.98
TXH063P3+*DD120R9V5	NOMINAL	1600	1.02	0.94
	LOW	1400	0.99	0.91
	HIGH	1800	1.03	0.95
TXH063P3+*DY100R9V4	NOMINAL	1600	1.01	0.98
	LOW	1400	0.98	0.95
	HIGH	1800	1.02	0.99
TXH063P3+*DY120R9V5	NOMINAL	1600	1.00	0.95
	LOW	1400	0.98	0.92
	HIGH	1800	1.01	0.96
TXH063P3+*UD100R9V5	NOMINAL	1600	1.03	0.99
	LOW	1400	1.00	0.96
	HIGH	1800	1.04	1.00
TXH063P3+*UD120R9V5	NOMINAL	1600	1.02	0.96
	LOW	1400	0.99	0.93
	HIGH	1800	1.03	0.97
TXH063P3+*UD140R9V5	NOMINAL	1600	1.02	0.96
	LOW	1400	0.99	0.93
	HIGH	1800	1.03	0.97
TXH063P3+*UY100R9V4	NOMINAL	1600	1.00	0.95
	LOW	1400	0.98	0.92
	HIGH	1800	1.01	0.96
TXH063P3+*UY120R9V5	NOMINAL	1600	1.00	0.94
	LOW	1400	0.98	0.91
	HIGH	1800	1.01	0.95



Performance Data Heating

2TWA3060A3/4

2TWA3060A3/4 WITH 2TEC3F60A1 AT 2000 CFM

O.D. TEMP. F.	HEATING CAPACITY MBH AT INDOOR DRY BULB TEMP.			TOTAL POWER IN KILOWATTS AT INDOOR DRY BULB TEMP.		
	70	75	80	70	75	80
2	25.10	24.84	24.62	4.47	4.60	4.74
7	28.20	27.91	27.66	4.54	4.67	4.81
12	31.30	30.98	30.70	4.60	4.74	4.88
17	34.40	34.05	33.74	4.66	4.80	4.94
22	35.47	35.12	34.80	4.70	4.84	4.98
27	36.55	36.18	35.86	4.73	4.87	5.01
32	37.63	37.25	36.91	4.76	4.91	5.05
37	40.73	40.32	39.95	4.83	4.97	5.12
42	46.86	46.39	45.97	4.94	5.09	5.24
47	53.00	52.47	51.99	5.05	5.20	5.35
52	56.10	55.54	55.03	5.12	5.27	5.42
57	59.20	58.61	58.07	5.18	5.34	5.49
62	62.30	61.68	61.12	5.24	5.40	5.56
67	65.40	64.74	64.16	5.31	5.47	5.63
72	68.50	67.81	67.20	5.37	5.53	5.70

CORRECTION FACTORS FOR OTHER AIRFLOWS (MULTIPLY DATA BY FACTOR)

AIRFLOW	TOTAL CAPACITY	SENSIBLE CAPACITY
LOW	1750	0.98
HIGH	2250	1.01

NOTE: ALL TABLES ABOVE ARE AT ARI RATING CONDITIONS RATED WITH 25 FEET OF REFRIGERANT LINES.

CORRECTION FACTORS FOR OTHER COMBINATIONS (MULTIPLY DATA BY FACTOR)

INDOOR MODEL	CFM	MBTUH TOT	SYST KW
2TEP3F48B1	NOMINAL	2000	1.03
	LOW	1750	1.00
	HIGH	2250	1.04
2TEP3F63B1	NOMINAL	2000	1.05
	LOW	1750	1.02
	HIGH	2250	1.06
2TXCC060AC3	NOMINAL	2000	1.01
	LOW	1750	0.98
	HIGH	2250	1.02
2TXCD061AC3	NOMINAL	2000	1.03
	LOW	1750	1.00
	HIGH	2250	1.04
2TXCD061AC3+*DD120R9V5	NOMINAL	2000	1.05
	LOW	1750	1.02
	HIGH	2250	1.06
2TXCD061AC3+*DY120R9V5	NOMINAL	2000	1.02
	LOW	1750	0.99
	HIGH	2250	1.03
2TXCD061AC3+*UD120R9V5	NOMINAL	2000	1.04
	LOW	1750	1.01
	HIGH	2250	1.05
2TXCD061AC3+*UD140R9V5	NOMINAL	2000	1.04
	LOW	1750	1.01
	HIGH	2250	1.05
2TXCD061AC3+*UY120R9V5	NOMINAL	2000	1.02
	LOW	1750	0.99
	HIGH	2250	1.03
2TXCD065AS3	NOMINAL	2000	1.02
	LOW	1750	0.99
	HIGH	2250	1.03
2TXCD065AS3+*DD120R9V5	NOMINAL	2000	1.03
	LOW	1750	1.00
	HIGH	2250	1.04
2TXCD065AS3+*DY120R9V5	NOMINAL	2000	1.00
	LOW	1750	0.98
	HIGH	2250	1.01

CORRECTION FACTORS FOR OTHER COMBINATIONS (MULTIPLY DATA BY FACTOR)

INDOOR MODEL	CFM	MBTUH TOT	SYST KW
2TXCD065AS3+*UD120R9V5	NOMINAL	2000	1.03
	LOW	1750	1.00
	HIGH	2250	1.04
2TXCD065AS3+*UD140R9V5	NOMINAL	2000	1.02
	LOW	1750	0.99
	HIGH	2250	1.03
2TXCD065AS3+*UY120R9V5	NOMINAL	2000	1.01
	LOW	1750	0.98
	HIGH	2250	1.02
2TXFH054AS3	NOMINAL	2000	1.02
	LOW	1750	0.99
	HIGH	2250	1.03
2TXFH054AS3+*DD100R9V5	NOMINAL	2000	1.05
	LOW	1750	1.02
	HIGH	2250	1.06
2TXFH054AS3+*DD120R9V5	NOMINAL	2000	1.06
	LOW	1750	1.03
	HIGH	2250	1.07
2TXFH054AS3+*DY120R9V5	NOMINAL	2000	1.03
	LOW	1750	1.00
	HIGH	2250	1.04
2TXFH054AS3+*UD100R9V5	NOMINAL	2000	1.06
	LOW	1750	1.03
	HIGH	2250	1.07
2TXFH054AS3+*UD120R9V5	NOMINAL	2000	1.05
	LOW	1750	1.02
	HIGH	2250	1.06
2TXFH054AS3+*UD140R9V5	NOMINAL	2000	1.06
	LOW	1750	1.03
	HIGH	2250	1.07
2TXFH054AS3+*UY120R9V5	NOMINAL	2000	1.04
	LOW	1750	1.01
	HIGH	2250	1.05
2TXFH063AS3	NOMINAL	2000	1.08
	LOW	1750	1.05
	HIGH	2250	1.09
2TXFH063AS3+*DD100R9V5	NOMINAL	2000	1.08
	LOW	1750	1.05
	HIGH	2250	1.09
2TXFH063AS3+*DD120R9V5	NOMINAL	2000	1.08
	LOW	1750	1.05
	HIGH	2250	1.09
2TXFH063AS3+*DY120R9V5	NOMINAL	2000	1.06
	LOW	1750	1.03
	HIGH	2250	1.07
2TXFH063AS3+*UD100R9V5	NOMINAL	2000	1.09
	LOW	1750	1.06
	HIGH	2250	1.10
2TXFH063AS3+*UD120R9V5	NOMINAL	2000	1.08
	LOW	1750	1.05
	HIGH	2250	1.09
2TXFH063AS3+*UD140R9V5	NOMINAL	2000	1.08
	LOW	1750	1.05
	HIGH	2250	1.09
2TXFH063AS3+*UY120R9V5	NOMINAL	2000	1.06
	LOW	1750	1.03
	HIGH	2250	1.07
TWE049E13	NOMINAL	2000	1.03
	LOW	1750	1.00
	HIGH	2250	1.04
TWE060P13	NOMINAL	2000	1.05
	LOW	1750	1.02
	HIGH	2250	1.06



Performance Data

Heating

2TWA3060A3/4

CORRECTION FACTORS FOR OTHER COMBINATIONS (MULTIPLY DATA BY FACTOR)

INDOOR MODEL		CFM	MBTUH TOT	SYST KW
TWE063P13	NOMINAL	2000	1.08	1.17
	LOW	1750	1.05	1.13
	HIGH	2250	1.09	1.19
TWE065E13	NOMINAL	2000	1.02	1.00
	LOW	1750	0.99	0.97
	HIGH	2250	1.03	1.02
TXC065S3	NOMINAL	2000	1.04	1.05
	LOW	1750	1.01	1.01
	HIGH	2250	1.05	1.07
TXC065S3+*DD120R9V5	NOMINAL	2000	1.04	1.08
	LOW	1750	1.01	1.04
	HIGH	2250	1.05	1.10
TXC065S3+*DY120R9V5	NOMINAL	2000	1.02	1.07
	LOW	1750	0.99	1.03
	HIGH	2250	1.03	1.09

CORRECTION FACTORS FOR OTHER COMBINATIONS (MULTIPLY DATA BY FACTOR)

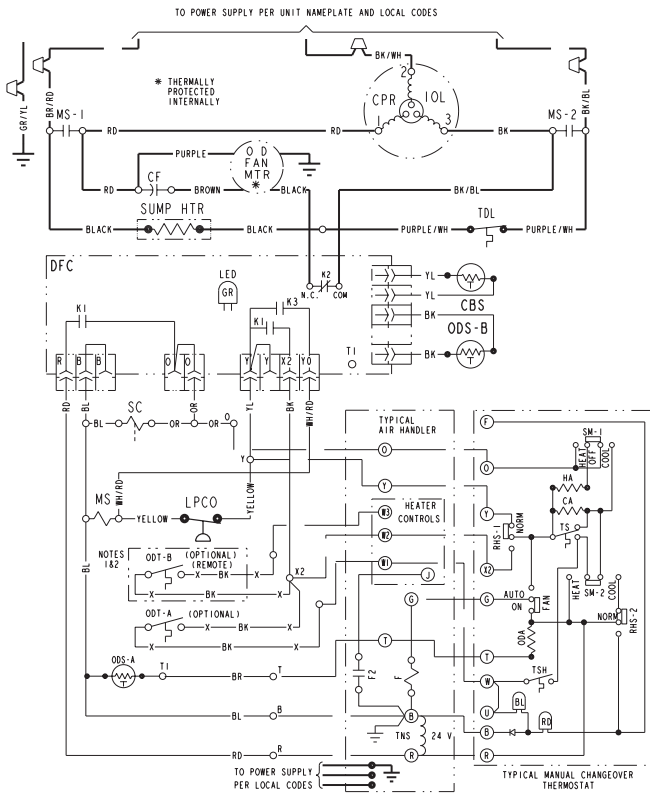
INDOOR MODEL		CFM	MBTUH TOT	SYST KW
TXC065S3+*UD120R9V5	NOMINAL	2000	1.04	1.09
	LOW	1750	1.01	1.05
	HIGH	2250	1.05	1.11
TXC065S3+*UD140R9V5	NOMINAL	2000	1.04	1.08
	LOW	1750	1.01	1.04
	HIGH	2250	1.05	1.10
TXC065S3+*UY120R9V5	NOMINAL	2000	1.02	1.07
	LOW	1750	0.99	1.03
	HIGH	2250	1.03	1.09
TXH063P3	NOMINAL	2000	1.08	1.08
	LOW	1750	1.05	1.04
	HIGH	2250	1.09	1.10

Electrical Data

Schematic Diagrams

(SEE LEGEND)

2TWA3030,036,042,048A3



NOTES:

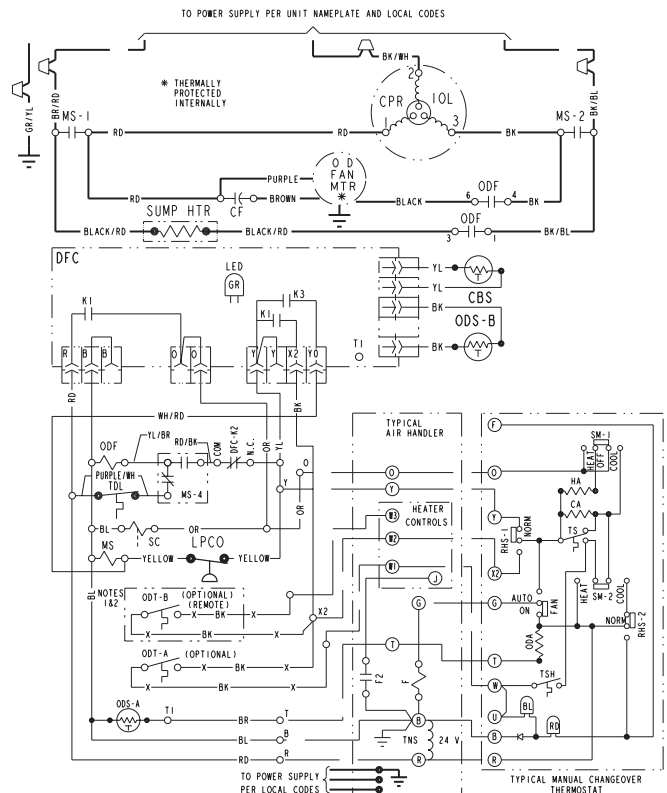
- IF ODT-B IS NOT USED, ADD JUMPER BETWEEN W2 & W3 AT AIR HANDLER. IF USED, ODT-B MUST BE MOUNTED REMOTE OF CONTROL BOX IN AN APPROVED WEATHER PROOF ENCLOSURE.
- IF ODT-A IS NOT USED, ADD JUMPER BETWEEN W1 & W2 AT AIR HANDLER.
- LOW VOLTAGE (24 V.) FIELD WIRING MUST BE 18 AWG MIN.

<p>⚠ WARNING HAZARDOUS VOLTAGE!</p> <p>DISCONNECT ALL ELECTRIC POWER INCLUDING REMOTE DISCONNECTS BEFORE SERVICING.</p> <p>FAILURE TO DISCONNECT POWER BEFORE SERVICING CAN CAUSE SEVERE PERSONAL INJURY OR DEATH!</p>	<p>⚠ CAUTION USE COPPER CONDUCTORS ONLY!</p> <p>UNIT TERMINALS ARE NOT DESIGNED TO ACCEPT OTHER TYPES OF CONDUCTORS.</p> <p>FAILURE TO DO SO MAY CAUSE DAMAGE TO THE EQUIPMENT!</p>
---	--

NOTE

THREE PHASE MOTOR (S) FACTORY SUPPLIED IN THIS EQUIPMENT PROTECTED UNDER PRIMARY SINGLE-PHASE CONDITIONS.

2TWA3030,036,042,048A4



NOTES:

- IF ODT-B IS NOT USED, ADD JUMPER BETWEEN W2 & W3 AT AIR HANDLER. IF USED, ODT-B MUST BE MOUNTED REMOTE OF CONTROL BOX IN AN APPROVED WEATHER PROOF ENCLOSURE.
- IF ODT-A IS NOT USED, ADD JUMPER BETWEEN W1 & W2 AT AIR HANDLER.
- LOW VOLTAGE (24 V.) FIELD WIRING MUST BE 18 AWG MIN.

<p>⚠ WARNING HAZARDOUS VOLTAGE!</p> <p>DISCONNECT ALL ELECTRIC POWER INCLUDING REMOTE DISCONNECTS BEFORE SERVICING.</p> <p>FAILURE TO DISCONNECT POWER BEFORE SERVICING CAN CAUSE SEVERE PERSONAL INJURY OR DEATH!</p>	<p>⚠ CAUTION USE COPPER CONDUCTORS ONLY!</p> <p>UNIT TERMINALS ARE NOT DESIGNED TO ACCEPT OTHER TYPES OF CONDUCTORS.</p> <p>FAILURE TO DO SO MAY CAUSE DAMAGE TO THE EQUIPMENT!</p>
---	--

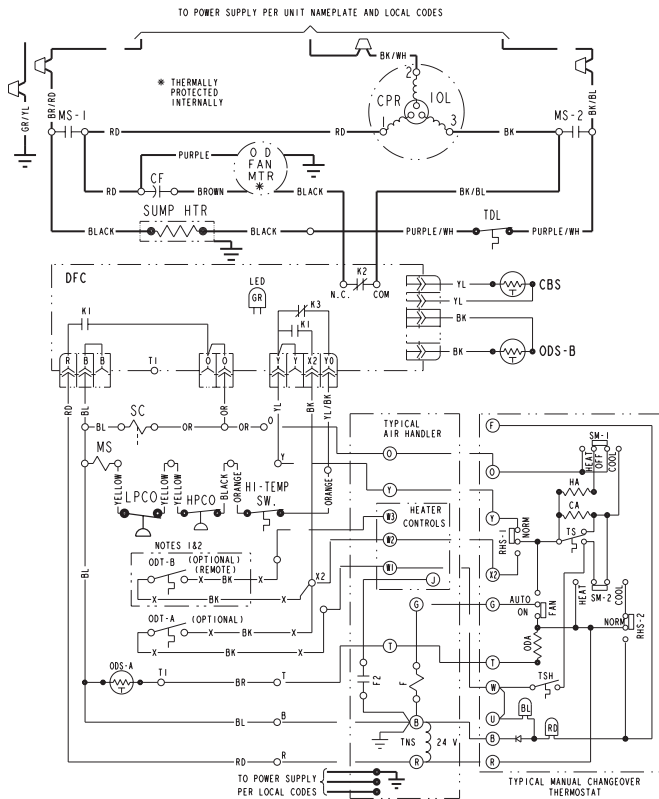
NOTE

THREE PHASE MOTOR (S) FACTORY SUPPLIED IN THIS EQUIPMENT PROTECTED UNDER PRIMARY SINGLE-PHASE CONDITIONS.

Electrical Data

Schematic Diagrams

2TWA3060A3



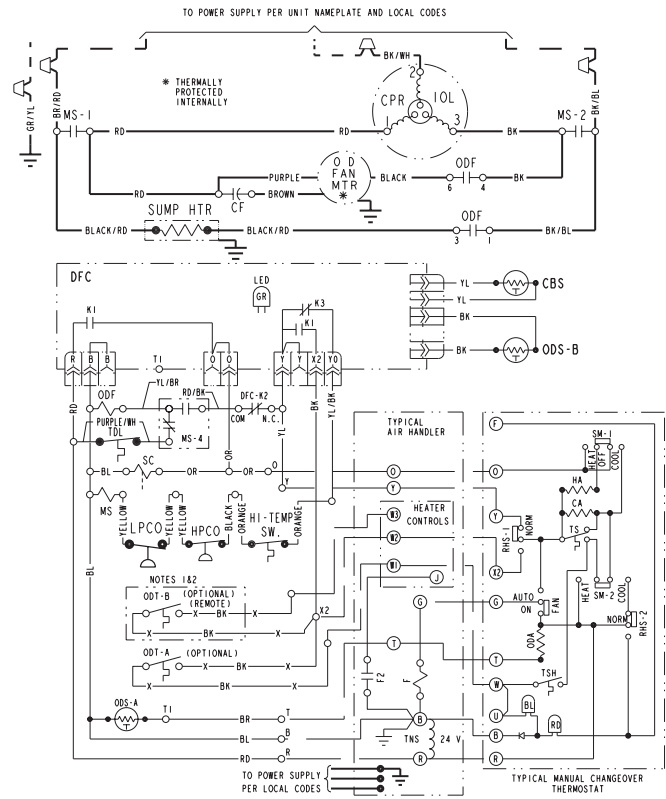
NOTES:

- IF ODT-B IS NOT USED, ADD JUMPER BETWEEN W2 & W3 AT AIR HANDLER. IF USED, ODT-B MUST BE MOUNTED REMOTE OF CONTROL BOX IN AN APPROVED WEATHER PROOF ENCLOSURE.
- IF ODT-A IS NOT USED, ADD JUMPER BETWEEN W1 & W2 AT AIR HANDLER.
- LOW VOLTAGE (24 V.) FIELD WIRING MUST BE 18 AWG MIN.

<p>⚠ WARNING HAZARDOUS VOLTAGE! DISCONNECT ALL ELECTRIC POWER INCLUDING REMOTE DISCONNECTS BEFORE SERVICING. FAILURE TO DISCONNECT POWER BEFORE SERVICING CAN CAUSE SEVERE PERSONAL INJURY OR DEATH!</p>	<p>⚠ CAUTION USE COPPER CONDUCTORS ONLY! UNIT TERMINALS ARE NOT DESIGNED TO ACCEPT OTHER TYPES OF CONDUCTORS. FAILURE TO DO SO MAY CAUSE DAMAGE TO THE EQUIPMENT!</p>
---	--

NOTE
THREE PHASE MOTOR (S) FACTORY SUPPLIED IN THIS EQUIPMENT PROTECTED UNDER PRIMARY SINGLE-PHASE CONDITIONS.

2TWA3060A4



NOTES:

- IF ODT-B IS NOT USED, ADD JUMPER BETWEEN W2 & W3 AT AIR HANDLER. IF USED, ODT-B MUST BE MOUNTED REMOTE OF CONTROL BOX IN AN APPROVED WEATHER PROOF ENCLOSURE.
- IF ODT-A IS NOT USED, ADD JUMPER BETWEEN W1 & W2 AT AIR HANDLER.
- LOW VOLTAGE (24 V.) FIELD WIRING MUST BE 18 AWG MIN.



<p>⚠ WARNING HAZARDOUS VOLTAGE! DISCONNECT ALL ELECTRIC POWER INCLUDING REMOTE DISCONNECTS BEFORE SERVICING. FAILURE TO DISCONNECT POWER BEFORE SERVICING CAN CAUSE SEVERE PERSONAL INJURY OR DEATH!</p>	<p>⚠ CAUTION USE COPPER CONDUCTORS ONLY! UNIT TERMINALS ARE NOT DESIGNED TO ACCEPT OTHER TYPES OF CONDUCTORS. FAILURE TO DO SO MAY CAUSE DAMAGE TO THE EQUIPMENT!</p>
---	--

NOTE
THREE PHASE MOTOR (S) FACTORY SUPPLIED IN THIS EQUIPMENT PROTECTED UNDER PRIMARY SINGLE-PHASE CONDITIONS.





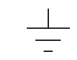

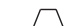


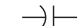
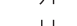
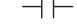
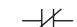





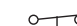

Electrical Data

Schematic Diagrams

LEGEND

	COLOR OF WIRE		
BK/BL	BLACK WIRE WITH BLUE MARKER		
	COLOR OF MARKER		
BK	BLACK	OR	ORANGE
BL	BLUE	RD	RED
BR	BROWN	WH	WHITE
		YL	YELLOW
		GR	GREEN
		PR	PURPLE

SYMBOLS

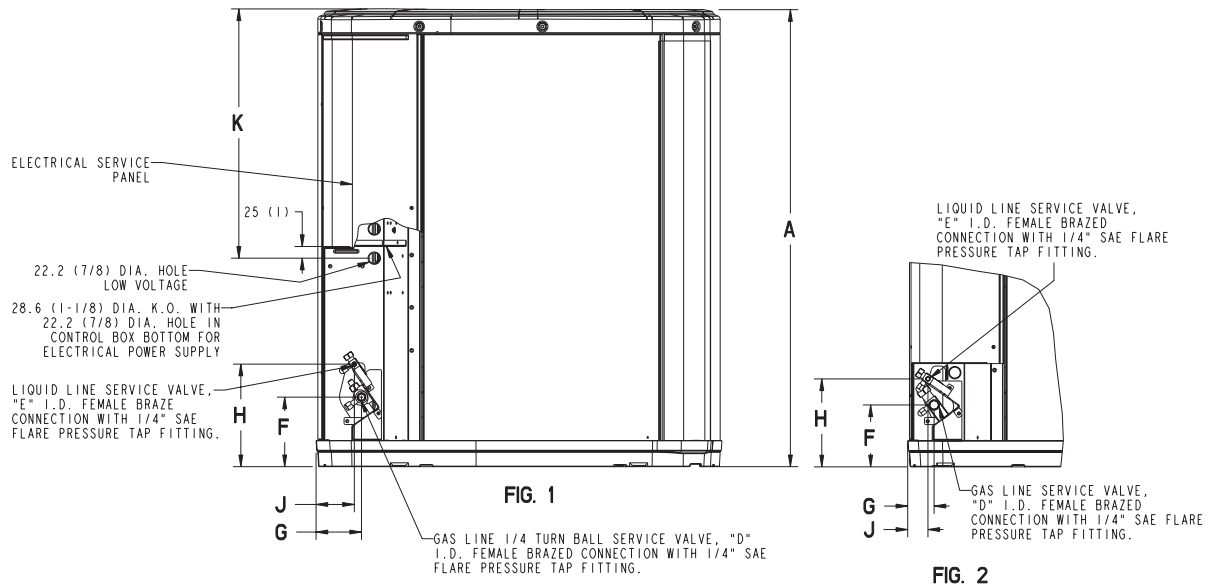
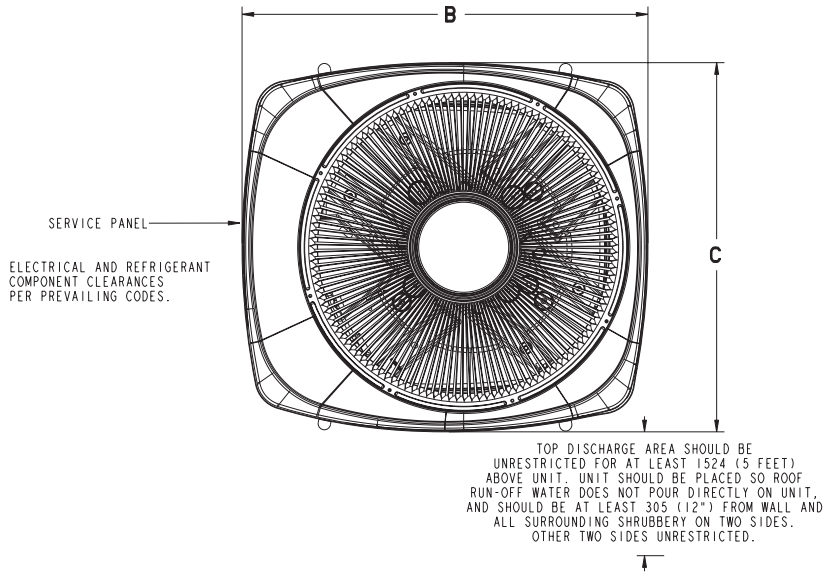
	24 V.	}	FACTORY WIRING
	LINE V.		
	24 V.	}	FIELD WIRING
	LINE V.		
	GROUND		
	JUNCTION		
	WIRE NUT OR CONNECTOR		
	COIL		
	CAPACITOR		
	RELAY CONTACT (N.O.)		
	RELAY CONTACT (N.C.)		
	THERMISTOR		
	INTERNAL OVERLOAD PROTECTOR		
	PRESSURE ACTUATED SWITCH		
	TEMP. ACTUATED SWITCH		
	POL. PLUG FEMALE HOUSING (MALE TERM.)		
	POL. PLUG MALE HOUSING (FEMALE TERM.)		
	RESISTOR OR HEATING ELEMENT		
	MOTOR WINDING		
	TERMINAL		

CA	COOLING ANTICIPATOR	LPCO	LOW PRESSURE CUTOFF SW.
CBS	COIL BOTTOM SENSOR	MS	COMPRESSOR MOTOR CONTACTOR
CF	FAN CAPACITOR	ODA	OUTDOOR ANTICIPATOR
CN	WIRE CONNECTOR	ODF	OUTDOOR FAN RELAY
CPR	COMPRESSOR	OFT	OUTDOOR FAN THERMOSTAT
CR	RUN CAPACITOR	ODS	OUTDOOR TEMPERATURE SENSOR
CS	STARTING CAPACITOR	ODT	OUTDOOR THERMOSTAT
CSR	CAPACITOR SWITCHING RELAY	RHS	RESISTANCE HEAT SWITCH
DFC	DEFROST CONTROL	SC	SWITCHOVER VALVE SOLENOID
F	INDOOR FAN RELAY	SM	SYSTEM "ON-OFF" SWITCH
HA	HEATING ANTICIPATOR	TDL	DISCHARGE LINE THERMOSTAT
HPCO	HIGH PRESSURE CUTOFF SW.	TNS	TRANSFORMER
IOL	INTERNAL OVERLOAD PROTECTOR	TS	HEATING-COOLING THERMOSTAT
		TSH	HEATING THERMOSTAT

Dimensions

2TWA3 Outline Drawing

NOTE: ALL DIMENSIONS ARE IN MM (INCHES)



MODELS	BASE	FIG.	A	B	C	D	E	F	G	H	J	K
2TWA3030A	3	1	933 (36-3/4)	829 (32-5/8)	756 (29-3/4)	3/4	5/16	143 (5-5/8)	92 (3-5/8)	210 (8-1/4)	79 (3-1/8)	508 (20)
2TWA3036A	4	1	943 (37-1/8)	946 (37-1/4)	870 (34-1/4)	7/8	3/8	152 (6)	98 (3-7/8)	219 (8-5/8)	86 (3-3/8)	508 (20)
2TWA3042A	4	1	1045 (41-1/8)	946 (37-1/4)	870 (34-1/4)	7/8	3/8	152 (6)	98 (3-7/8)	219 (8-5/8)	86 (3-3/8)	508 (20)
2TWA3048A	4	1	1045 (41-1/8)	946 (37-1/4)	870 (34-1/4)	1-1/8	3/8	152 (6)	98 (3-7/8)	219 (8-5/8)	86 (3-3/8)	508 (20)
2TWA3060A	4	1	1045 (41-1/8)	946 (37-1/4)	870 (34-1/4)	1-1/8	3/8	152 (6)	98 (3-7/8)	219 (8-5/8)	86 (3-3/8)	508 (20)

From Dwg. 21D153074 Rev. 10

Mechanical Specification Options

General

The 2TWA3 is fully charged from the factory for up to 15 feet of piping. This unit is designed to operate at outdoor ambient temperatures as high as 115°F. Cooling capacities are matched with a wide selection of air handlers and furnace coils that are ARI certified. The unit is UL listed. Exterior is designed for outdoor application.

Casing

Unit casing is constructed of heavy gauge, G90 galvanized steel and painted with a weather-resistant powder paint on all louvers, panels, prepaint on all other panels. Corrosion and weatherproof CMBP-G30 DuraTuff™ base.

Refrigerant Controls

Refrigeration system controls include condenser fan, compressor contactor and low pressure switch. High and low pressure controls are inherent to the compressor. A factory installed liquid line drier is standard.

Compressor

The Climatuff[®] compressor features a 5 year limited warranty, internal over temperature and pressure protection and total dipped hermetic motor. Other features include: roto lock suction and discharge refrigerant connections, centrifugal oil pump and low vibration and noise.

Condenser Coil

The outdoor coil provides low airflow resistance and efficient heat transfer. The coil is protected on all four sides by louvered panels and has a 5 year limited warranty.

Low Ambient Cooling

As manufactured, this unit has a cooling capability to 55°F. The addition of an evaporator defrost control with TXV permits low ambient cooling to 30° F.

Accessories

Thermostats — Cooling only and heat/cooling (manual and automatic changeover). Sub-base to match thermostat and locking thermostat cover.

Evaporator Defrost Control — See Low Ambient Cooling.



Trane
A business of
American Standard Companies
www.trane.com

Literature Order Number	SSP-PRC017-EN
File Number	PL-UN-2TWA-SSP-PRC-EN 12/05
Supersedes	New
Stocking Location	Electronic Only

P.I.

Trane has a policy of continuous product and product data improvement and it reserves the right to change design and specifications without notice.