



RT-PRC021-EN

Package Gas / Electric Units

Convertible Models
YCC018-060

1½ – 5 Ton



Pub. No. 22-1295-05-0303 (EN)



General Features

It's Hard To Stop A Trane.®



T-TOP™

WEATHERGUARD™
corrosion resistant screws

Powder Paint

WATER-SHED Base

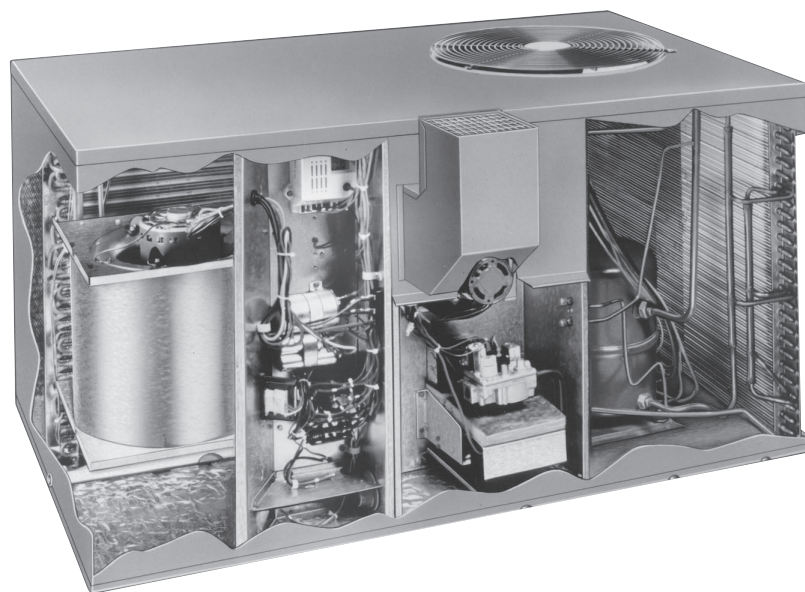
High Efficiency

Climatuff® compressor

DuraTuff™ plate fin coil

Single Stage Gas Furnace

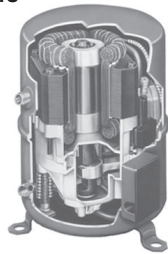
Easy Access



Features and Benefits

Standard Equipment

- **High Efficiency**
IMPACT performance is the highest in the industry at 16 SEER.
- **Climatuff® compressors**
Protection against chemical, electrical, and mechanical stresses are built in for efficiency and a longer life. The compressors are backed by a 5-year limited warranty, with an optional warranty for 5 more years. (single phase residential use only)
- **Powder Paint**
Beautiful high gloss silver gray finish blends with any architectural style. New powder paint covers surfaces uniformly increasing protection from rust and corrosion.
- **WEATHERGUARD™ corrosion resistant screws**
Holds it all together beautifully. Resists rust and corrosion.
- **WATER-SHED Base**
Superior water integrity is accomplished with the **WATER-SHED** base pan having elevated downflow openings and a perimeter channel that prevents water from draining into the ductwork.
- **T-TOP™**
Exclusive one piece, solid unit top for improved water integrity and easy component access.
- **DuraTuff™ plate fin coil**
Refrigeration coils are built with internally enhanced copper tubing for high efficiency with less coil area.



- **Single Stage Gas Furnace**
The furnace features aluminized tubular heat exchangers that have demonstrated their durability in torturous life cycle tests and fire tests at either 20 or 25 MBTUH per tube on natural gas or 24 MBTUH on propane. The heat exchanger is backed by a 10 year limited warranty with an optional warranty available for the 11-15th years. (residential use only)

(continued on page 4)

Contents

General Features

Features and Benefits

- Standard Equipment
- IMPACT Accessories

Selection Procedure

- Model Number Nomenclature

Optional Equipment

General Data

- YCC018
- YCC024
- YCC030
- YCC036
- YCC042
- YCC048
- YCC060

Performance Data

- Cooling
- Temperature Rise
- Indoor Fan
- Pressure Drop

Optional Equipment

Controls

Typical Wiring

Dimensions

Mechanical Specifications Options

2

3

3

4

5

5

6

7

7

7

7

7

9

10

11

12

12

15

16

19

19

20

21

24

31

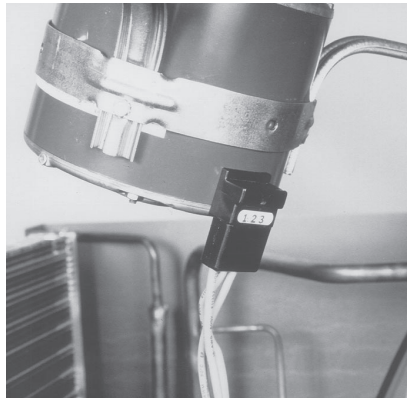


Features and Benefits

Standard Equipment

- **Venting**
Induced draft venting reduces combustion problems associated with high winds and combustion panels that have been improperly replaced.
- **California NOx**
The standard unit meets California NOx requirements eliminating the inventory problems associated with unique models or kits.
- **One for Us... Two for Customer**
Three-try direct spark ignition system eliminates pilot related problems and provides unsurpassed ignition reliability.
- **Commonality**
The common cabinet among the TCC's, WCX's, and YCY's minimizes both the training of sales and service personnel and replacement parts inventory.
- **Easy Access**
Most electrical components can be diagnosed and replaced with the removal of one panel that is attached with two screws.
- **Flexibility**
A single curb fits the entire IMPACK line from 1.5 tons through 5 tons thereby providing great installation flexibility on shopping malls, factories, schools, and other commercial buildings where a mix-match of tonnages and utilities is desired.
- **Shipping**
Unit dimensions were carefully selected to provide an attractive aspect ratio and for shipping and handling considerations.
- **Good Neighbor**
Most units can be installed flush with the residence or building thereby minimizing the ground space required. Blankets of insulation reduce blower noise and energy losses to the outside environments.
- **Rooftop Mounting**
The cabinets are physically smaller than most competitive models. This means less intrusive installations on residential rooftops where aesthetics are critical.

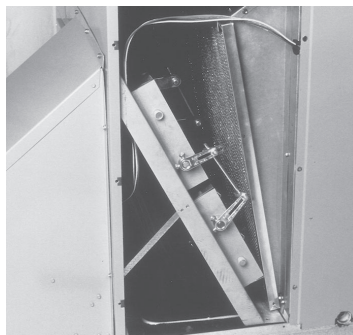
- **Convertibility**
IMPACT units are easily converted from horizontal to down flow with the removal of one screw from each panel. Accordingly, the need to stock both dedicated horizontal and dedicated down flow models has been eliminated.
- **Installation**
The ease of installation and application flexibility exhibited through the design reduce both field time and material.
- **Structure**
The units are lighter weight through the use of high technology components thereby reducing mounting structure requirements and difficulty when manhandling.
- **Handling**
The three-way wooden skid allows for easy loading between the wheel wells on pickup trucks for transporting to job sites.
- **Application**
The low profile horizontal duct take-offs eliminate the need for expensive transition ducts in crawl space applications.
- **Duct Flanges**
Only IMPACK has downflow duct flanges for duct attachments that preserve the built-in water integrity.



- **Service**
All wiring is both numbered and color coded thereby reducing training and servicing costs related to circuit tracing and components replacements.
- **Maintenance**
A plug on the outdoor fan motor allows the top cover to be removed completely without the hassle of cumbersome wires. The unique service orifice ring allows the indoor fan motor/blower to be removed as a unit.
- **Corrosion**
The drain pan is engineered material and eliminates the need for coatings and sealers to prevent sweating and corrosion. The heavy gauge, zinc-coated steel cabinet has a weather resistant enamel finish that stays attractive and protects your investment for years.
- **Low Ambient Control**
Standard cooling operation to 55° F. as shipped, zero degree ambient cooling is accomplished with two kits. One for low cost installations when full tonnage is not needed. The other kit maintains head pressure and full capacity at zero degrees.
- **Quality and Reliability Testing**
We perform a 100% coil leak test at the factory. The evaporator and condenser coils are leak tested at 200 psig and pressure tested to 450 psig respectively. In addition the IMPACK designs were rigorously rain tested at the factory to ensure water integrity. Shipping tests are performed to determine packaging requirements. Factory shake and drop tests are used as part of the package design process to help assure that the unit will arrive at the job site in top condition. Additionally, all components are inspected at the point of final assembly. Substandard parts and components are identified and rejected immediately. Every unit receives a 100% run test before leaving the production line to make sure it lives up to rigorous Trane requirements. We at Trane test our designs at our factory and not on our customers!

IMPACT Accessories

- **Standard Thermostats**
No special thermostats are needed with IMPACK units.
- **Filter Frame Kit**
The IMPACK filter frames accept standard filters and fit inside the unit. The frame kits function in either horizontal or downflow duct configurations.
- **UNI-CURB**
One universal curb fits all the IMPACK models. It ships knocked down. The curb design incorporates the popular locking tabs for quick and easy assembly. Full perimeter curbs are also available for all models.



- **Economizer**
The downflow economizer fits inside the unit with only the rain hood and barometric relief on the outside. Cabling is shipped with the economizer. This cabling is easily routed to the control box where it terminates in low voltage pigtailed. The economizer features a fully modulating low voltage motor eliminating the need for any high voltage wiring. The economizer must be used with the filter frame kit...no return air filter in the economizer kit. A dry bulb sensor is shipped with the economizer. The downflow economizer was not designed for use in horizontal



Optional Equipment

OPTIONAL EQUIPMENT FOR PACKAGED UNITS (check mark [✓] indicates accessories included)

Indoor Thermostats — XT300C Prog. 7 Day, Auto/Manual 1 Htg/1 Clg	TAYSTAT300C []
XT302C Prog. 7 Day, Auto/Manual 2-Stage Htg/Clg w/Econ.	TAYSTAT302C []
Electronic 2 Htg/2 Clg (NonProg)	TAYSTAT375 []
Outdoor Temp. Sensor (TAYSTAT300C,302C,375)	TAYSENS100A []
Prog. Electronic 5/2 Day, Manual 1 Htg/1 Clg	TAYSTAT340 []
Electronic 1 Htg/1 Clg (NonProg)	TAYSTAT370 []
Wallcover Plate (TAYSTAT370)	BAYCOVR100A []
Heat/Cool (Horizontal) Manual 1 Htg/1Clg	AY28X092 []
Heat/Cool (Vertical) Manual 1Htg/1Clg	BAYSTAT305 []
Thermostat 1H/1C Sub-base Required (BAY28X184,187)	BAYSTAT182 []
Thermostat 2H/2C Sub-base Required (BAY28X184,187)	BAYSTAT183 []
Subbase Auto/Manual Changeover	BAYSTAT184 []
Subbase Manual Changeover	BAYSTAT187 []
Thermostat 1H/1C Manual Sub-base	BAYSTAT008 []
Thermostat 2H/2C Auto Sub-base	BAYSTAT010 []
Thermostat 1H/2C Manual Sub-base w/Econ.	BAYSTAT012 []
Locking Thermostat Cover (Thermostats)	BAY28X190 []
Anti-short Cycle Timer (Mech. Stats Only)	BAYASCT001 []
Roof Curb (Flat Roof) Universal ③	BAYCURB030A []
Roof Curb (Flat Roof) Universal ③ Acusti-Curb	BAYCURB038A []
Roof Curb Full Perimeter (YCC036F-H,042,048F-M) ③ Acusti-Curb	BAYCURB033A []
Roof Curb Full Perimeter (YCC048F-H - 060F) ③ Acusti-Curb	BAYCURB034A []
Roof Curb Utility Extension Kit (BAYCURB030,038A)	BAYUTIL030A []
Roof Curb Utility Extension Kit (BAYCURB033A)	BAYUTIL033A []
Roof Curb Utility Extension Kit (BAYCURB034A)	BAYUTIL034A []
0-25% Manual Fresh Air Damper (YCC018-42F,048F-M) ①	BAYDMPR040A []
0-25% Manual Fresh Air Damper (YCC048F-H - 060F) ①	BAYDMPR041A []
0-25% Motorized Fresh Air Damper (YCC048F-H - 060F) ①	BAYDMPR050A []
12" Round Duct Adapter (2 per box) (YCC018-042F)	BAYDUCT004A []
14" Round Duct Adapter (1 per box) (YCC018-042F)	BAYDUCT005A []
0-100% Mod Economizer w/Baro. Relief (YCC018-042F,048F-M) ①②④	BAYECON054B []
0-100% Mod. Economizer w/Baro. Relief (YCC048F-H - 060F) ①②④	BAYECON055B []
0-100% Horizontal Economizer ①②	BAYECON073A []
Enthalpy Control for Economizer (solid state)	BAYENTH001A []
Remote Potentiometer (BAYECON054,055B,073A)	BAYSTAT023 []
Filter Frame (YCC018 - 030F-L) (20 x 20 x 1) ①	BAYFLTR015A []
Filter Frame (YCC030M,036G-L/M) (20 x 25 x 1) ①	BAYFLTR012A []
Filter Frame (YCC036F-H,042,048F-M) (20 x 25 x 1) ①	BAYFLTR013A []
Filter Frame (YCC048F-H - 060F) (3-10 x 25 x 1) ①	BAYFLTR014A []
Filter Frame (YCC030M,036G-L/M) (20 x 25 x 2) ①	BAYFLTR017A []
Filter Frame (YCC036F-H,042,048F-M) (20 x 25 x 2) ①	BAYFLTR018A []
Filter Frame (YCC048F-H - 060F) (2-16 x 25 x 2) ①	BAYFLTR019A []
Low Fire Kit (YCC018/024/030/036F-L)	BAYLOFR001 []
Low Fire Kit (YCC024F-M)	BAYLOFR002 []
Low Fire Kit (YCC030/036F-M)	BAYLOFR0003 []
Low Fire Kit (YCC036F-H - 042,048F-M)	BAYLOFR004 []
Low Fire Kit (YCC048-060F)	BAYLOFR006 []
High Static Motor (YCC030-042F) (230v/460v) (3/4 HP)	BAYHSMT043A []
High Static Motor (YCC030-042F) (208v) (3/4 HP)	BAYHSMT056A []
High Static Motor (YCC048-060F) (230v/460v) (1 HP)	BAYHSMT044A []
High Static Motor (YCC048-060F) (208v) (1 HP)	BAYHSMT045A []
LP Conversion Kit	BAYLPKT022A []
LP Conversion Kit (with 5 stainless steel burners)	BAYLPSS001A []
Lifting Lug Kit	BAYLIFT002A []
Evaporator Defrost Control (Low Ambient Cooling) Kit ⑤	BAYLOAM011A []
Head Pressure Control (Low Ambient Cool) (208/240/460/575v) Kit ⑤⑥	BAYLOAM323A []
Low Ambient Condenser Motor (208/230v) ⑤	BAYMOTR307A []
Low Ambient Condenser Motor (460v) ⑤	BAYMOTR406A []
Quick Start Kit (YCC---F1)	BAYSKT010A []
Crankcase Heater (YCC---F)(230v) ⑥	BAYCCHT003A []
Condenser Coil Guard Kit (YCC018/024/030F-L)	BAYGARD016A []
Condenser Coil Guard Kit (YCC030M/036F-L/M/H)	BAYGARD017A []
Condenser Coil Guard Kit (YCC042/048F-M)	BAYGARD020A []
Condenser Coil Guard Kit (YCC048F-H,060F)	BAYGARD021A []

NOTES:

① Must use filter frame when economizer/fresh air kit is used.

② Dry bulb control standard with economizer.

③ Ships knocked down.

④ Downflow only.

⑤ Use Low Ambient Condenser Motor With This Kit (except on YCC048-060F).

⑥ Low Ambient cooling requires crankcase heater (BAYCCHT---A).



General Data

MODEL	YCC018F1L0B	YCC024F1L0B	YCC030F1L0B	YCC030F1M0AB	YCC036F1L0B
RATED VOLTS/PH/Hz	208-230/1/60	208-230/1/60	208-230/1/60	208-230/1/60	208-230/1/60
RATINGS (COOLING) ①					
BTUH	18000	23400	29200	29800	35200
Indoor Airflow (CFM)	600	800	1000	1000	1200
Power Input (KW)	1.86	2.55	3.17	3.27	4.02
EER/SEER (BTU/Watt-Hr.)	9.35 / 10.00	9.10 / 10.00	9.20 / 10.00	9.10 / 10.00	8.75 / 10.00
Noise Rating No. ①	8.0	8.0	8.0	8.0	8.0
A.G.A. RATINGS (HEATING) ②					
(High) Input BTUH	48000	48000	48000	75000	50000
Capacity BTUH ⑤⑦	37000	37000	37000	60000	40000
AFUE	78%	78%	78%	78%	78%
Temp. Rise °F. (Min./Max.)	35 - 65	35 - 65	35 - 65	35 - 65	15-45
(Low) Input BTUH	40000	40000	40000	60000	40000
Capacity BTUH ⑤⑦	32000	32000	32000	48000	32000
AFUE	80%	80%	80%	80%	80%
Temp. Rise °F. (Min./Max.)	35 - 65	35 - 65	35 - 65	35 - 65	15-45
Type of Gas ③	NATURAL	NATURAL	NATURAL	NATURAL	NATURAL
POWER CONNS. — V/PH/Hz	208-230/1/60	208-230/1/60	208-230/1/60	208-230/1/60	208-230/1/60
Min. Brch. Cir. Ampacity	15.0	17.7	21.5	21.3	26.8
Br. Cir. Max. (Amps)	20	25	30	35	40
Prot. Rtg. Recmd. (Amps)	20	25	30	35	40
COMPRESSOR					
No. Used	1	1	1	1	1
Volts/Ph/Hz	200-230/1/60	200-230/1/60	208-230/1/60	208-230/1/60	208-230/1/60
R.L. Amps — L.R. Amps	8 - 48	10.0 - 67	13.3 - 79	13.5 - 79	18.5 - 97
OUTDOOR COIL — TYPE	PLATE FIN	PLATE FIN	PLATE FIN	PLATE FIN	PLATE FIN
Rows / F.P.I.	2 / 15	2 / 15	2 / 15	2 / 15	2 / 20
Face Area (Sq. Ft.)	4.5	4.5	5.43	5.43	6.34
Tube Size (in.)	3/8 COPPER	3/8 COPPER	3/8 COPPER	3/8 COPPER	3/8 COPPER
INDOOR COIL — TYPE	PLATE FIN	PLATE FIN	PLATE FIN	PLATE FIN	PLATE FIN
Rows / F.P.I.	2 / 15	3 / 15	3 / 15	3 / 15	3 / 15
Face Area (Sq. Ft.)	3.25	3.25	3.25	3.96	3.96
Tube Size (in.)	3/8 COPPER	3/8	3/8 COPPER	3/8 COPPER	3/8
Refrigerant Control	CAPILLARY	CAPILLARY	CAPILLARY	CAPILLARY	CAPILLARY
Drain Conn. Size (in.)	3/4" FEMALE NPT	3/4" FEMALE	3/4" FEMALE NPT	3/4" FEMALE NPT	3/4" FEMALE NPT
Duct Connections	SEE OUTLINE DRAWING	SEE OUTLINE DRAWING	SEE OUTLINE DRAWING	SEE OUTLINE DRAWING	SEE OUTLINE DRAWING
OUTDOOR FAN — TYPE	PROPELLER	PROPELLER	PROPELLER	PROPELLER	PROPELLER
No. Used / Dia. (in.)	1 / 18	1 / 18	1 / 18	1 / 18	1 / 18
Type Drive / No. Speeds	DIRECT / 1	DIRECT / 1	DIRECT / 1	DIRECT / 1	DIRECT / 1
No. Motors — HP	1 - 1/5	1 - 1/5	1 - 1/5	1 - 1/5	1 - 1/5
Motor Speed R.P.M.	1080	1080	1080	1080	1080
Volts/PH/Hz	230/1/60	230/1/60	230/1/60	230/1/60	230/1/60
F.L. Amps — L.R. Amps	1.6 - 3.3	1.6 - 3.3	1.6 - 3.3	1.6 - 3.3	1.6 - 3.3
INDOOR FAN — TYPE	CENTRIFUGAL	CENTRIFUGAL	CENTRIFUGAL	CENTRIFUGAL	CENTRIFUGAL
Dia. x Width (in.)	9 X 9	9 X 9	9 X 9	10 X 9	10 X 9
No. Used	1	1	1	1	1
Drive / Speeds (No.)	DIRECT / 2	DIRECT / 2	DIRECT / 2	DIRECT / 2	DIRECT / 2
No. Motors — HP	1 - 1/4	1 - 1/4	1 - 1/4	1 - 1/3	1 - 1/3
Motor Speed R.P.M.	1080	1080	1080	1080	1080
Volts/PH/Hz	200-230/1/60	200-230/1/60	200-230/1/60	200-230/1/60	200-230/1/60
F.L. Amps	1.6/1.4 - 2.9	1.6/1.4 - 2.9	1.6/1.4 - 2.9	2.8/2.2 - 5.1	2.8/2.2 - 5.1
COMBUSTION FAN — TYPE	CENTRIFUGAL	CENTRIFUGAL	CENTRIFUGAL	CENTRIFUGAL	CENTRIFUGAL
Drive — Speeds (No.)	DIRECT-1	DIRECT - 1	DIRECT - 1	DIRECT- 1	DIRECT - 1
Motor HP — Speed (RPM)	1/35 - 3480	1/35 - 3480	1/35 - 3480	1/35 - 3480	1/35 - 3480
Volts/PH/Hz	240/1/60	208-240/1/60	240/1/60	240/1/60	240/1/60
F.L. Amps	0.6	0.6	0.6	0.6	0.6
FILTER — FURNISHED?	NO	NO	NO	NO	NO
Type Recommended	THROWAWAY	THROWAWAY	THROWAWAY	THROWAWAY	THROWAWAY
Min Face Area-Lo (sq. ft.) ⑥	2.0	2.67	3.33	3.33	4.0
REFRIGERANT					
Charge (lbs. of R-22) ④	3.8 LBS.	4 LBS.	4.4 LBS.	4.5 LBS.	5.3 LBS.
GAS PIPE SIZE (IN.)	1/2"	1/2"	1/2"	1/2"	1/2"
DIMENSIONS					
Crated (in.)	H X W X D 31-1/4 X 38 X 57	H X W X D 31-1/4 X 38 X 57	H X W X D 31-1/4 X 38 X 57	H X W X D 35-1/4 X 38 X 57	H X W X D 35-1/4 X 38 X 57
Uncrated	SEE OUTLINE DRAWING	SEE OUTLINE DRAWING	SEE OUTLINE DRAWING	SEE OUTLINE DRAWING	SEE OUTLINE DRAWING
WEIGHT					
Shipping (lbs.) / Net (lbs.)	341 / 301	350 / 310	398 / 358	398 / 356	426 / 386

*See unit nameplate for proper input adjustment

- ① Rated in accordance with A.R.I. Standard 210/240. Noise tested in accordance with A.R.I. Standard 270. A.R.I. standard rating conditions are: 80 D.B. 67 W.B. entering air to indoor coil. 95 D.B. entering air to outdoor coil.
- ② All models are UL Listed. Ratings shown are for elevations up to 2000 ft. For higher elevations reduce ratings at a rate of 4% per 1000 ft. elevation.
- ③ Convertible to LPG.
- ④ This value is approximate. For more precise value, see Unit Nameplate.
- ⑤ Based on U.S. Government Standard Tests.
- ⑥ Filters must be installed in return air stream. Square footages listed are based on 300 f.p.m. face velocity. If permanent filters are used size per manufacturer's recommendation with a clean resistance of 0.05" W.C.
- ⑦ Unit is shipped on high input, unit is convertible to low input with a Low Fire accessory kit.



General Data

MODEL	YCC036F1MOB	YCC036F1H0B	YCC036F3LOB	YCC036F3M0B
RATED VOLTS/PH/HZ	208-230/1/60	208-230/1/60	208-230/3/60	208-230/3/60
RATINGS (COOLING) ①				
BTUH	35200	35200	35400	35400
Indoor Airflow (CFM)	1200	1200	1200	1200
Power Input (KW)	4.02	4.02	3.73	3.73
EER/SEER (BTU/Watt-Hr.)	8.75 / 10.00	8.75 / 10.00	9.50 / 10.00	9.50 / 10.00
Noise Rating No. ①	8.0	8.0	8.0	8.0
A.G.A. RATINGS (HEATING) ②				
(High) Input BTUH	75000	100000	50000	75000
Capacity BTUH ⑤⑦	60000	80000	40000	60000
AFUE	78%	78%	78%	78%
Temp. Rise °F. (Min./Max.)	30 - 60	45 - 75	15-45	30 - 65
(Low) Input BTUH	60000	80000	40000	60000
Capacity BTUH ⑤⑦	48000	64000	32000	48000
AFUE	80%	80%	80%	80%
Temp. Rise °F. (Min./Max.)	30 - 60	45 - 75	15-45	30 - 65
Type of Gas ③	NATURAL	NATURAL	NATURAL	NATURAL
POWER CONNS. — V/PH/HZ	208-230/1/60	208-230/1/60	208-230/3/60	208-230/3/60
Min. Brch. Cir. Ampacity	26.8	26.8	18	18
Br. Cir. Max. (Amps)	40	40	25	25
Prot. Rtg. Recmd. (Amps)	40	40	25	25
COMPRESSOR				
No. Used	1	1	1	1
Volts/Ph/Hz	208-230/1/60	208-230/1/60	208-230/3/60	208-230/3/60
R.L. Amps — L.R. Amps	16.6 - 97	16.6 - 97	11 - 101.0	11 - 101.0
OUTDOOR COIL — TYPE	PLATE FIN	PLATE FIN	PLATE FIN	PLATE FIN
Rows / F.P.I.	2 / 20	2 / 20	2 / 20	2 / 20
Face Area (Sq. Ft.)	6.34	6.34	6.34	6.34
Tube Size (in.)	3/8 COPPER	3/8 COPPER	3/8 COPPER	3/8 COPPER
INDOOR COIL — TYPE	PLATE FIN	PLATE FIN	PLATE FIN	PLATE FIN
Rows / F.P.I.	3 / 15	3 / 15	3 / 15	3 / 15
Face Area (Sq. Ft.)	3.96	3.96	3.96	3.96
Tube Size (in.)	3/8	3/8	3/8	3/8
Refrigerant Control	CAPILLARY	CAPILLARY	CAPILLARY	CAPILLARY
Drain Conn. Size (in.)	3/4" FEMALE NPT	3/4" FEMALE NPT	3/4" FEMALE NPT	3/4" FEMALE NPT
Duct Connections	SEE OUTLINE DRAWING	SEE OUTLINE DRAWING	SEE OUTLINE DRAWING	SEE OUTLINE DRAWING
OUTDOOR FAN — TYPE	PROPELLER	PROPELLER	PROPELLER	PROPELLER
No. Used / Dia. (in.)	1 / 18	1 / 18	1 / 18	1 / 18
Type Drive / No. Speeds	DIRECT / 1	DIRECT / 1	DIRECT / 1	DIRECT / 1
No. Motors — HP	1 - 1/5	1 - 1/5	1 - 1/5	1 - 1/5
Motor Speed R.P.M.	1080	1080	1080	1080
Volts/PH/HZ	230/1/60	230/1/60	230/1/60	230/1/60
F.L. Amps — L.R. Amps	1.6 - 3.3	1.6 - 3.3	1.6 - 3.3	1.6 - 3.3
INDOOR FAN — TYPE	CENTRIFUGAL	CENTRIFUGAL	CENTRIFUGAL	CENTRIFUGAL
Dia. x Width (in.)	10 X 9	10 X 9	10 X 9	10 X 9
No. Used	1	1	1	1
Drive / Speeds (No.)	DIRECT / 2	DIRECT / 2	DIRECT / 2	DIRECT / 2
No. Motors — HP	1 - 1/3	1 - 1/3	1 - 1/3	1 - 1/3
Motor Speed R.P.M.	1080	1080	1080	1080
Volts/PH/HZ	200-230/1/60	200-230/1/60	200-230/1/60	200-230/1/60
F.L. Amps	2.8/2.2 - 5.1	2.8/2.2 - 5.1	2.8/2.2 - 5.1	2.8/2.2 - 5.1
COMBUSTION FAN — TYPE	CENTRIFUGAL	CENTRIFUGAL	CENTRIFUGAL	CENTRIFUGAL
Drive — Speeds (No.)	DIRECT - 1	DIRECT - 1	DIRECT - 1	DIRECT - 1
Motor HP — Speed (RPM)	1/35 - 3480	1/35 - 3480	1/35 - 3480	1/35 - 3480
Volts/PH/HZ	240/1/60	240/1/60	240/1/60	240/1/60
F.L. Amps	0.6	0.6	0.6	0.6
FILTER — FURNISHED?	NO	NO	NO	NO
Type Recommended	THROWAWAY	THROWAWAY	THROWAWAY	THROWAWAY
Min Face Area-Lo (sq. ft.) ⑥	4.0	4.0	4.0	4.0
REFRIGERANT				
Charge (lbs. of R-22) ④	5.3 LBS.	5.3 LBS.	5.7 LBS.	5.7 LBS.
GAS PIPE SIZE (IN.)	1/2"	1/2"	1/2"	1/2"
DIMENSIONS				
Crated (in.)	H X W X D 35-1/4 X 38 X 57	H X W X D 35-1/4 X 38 X 64-5/8	H X W X D 35-1/4 X 38 X 57	H X W X D 35-1/4 X 38 X 57
Uncrated	SEE OUTLINE DRAWING	SEE OUTLINE DRAWING	SEE OUTLINE DRAWING	SEE OUTLINE DRAWING
WEIGHT				
Shipping (lbs.) / Net (lbs.)	426 / 386	452 / 403	426 / 386	426 / 386

*See unit nameplate for proper input adjustment

- ① Rated in accordance with A.R.I. Standard 210/240. Noise tested in accordance with A.R.I. Standard 270. A.R.I. standard rating conditions are: 80 D.B. 67 W.B. entering air to indoor coil. 95 D.B. entering air to outdoor coil.
- ② All models are UL Listed. Ratings shown are for elevations up to 2000 ft. For higher elevations reduce ratings at a rate of 4% per 1000 ft. elevation.
- ③ Convertible to LPG.
- ④ This value is approximate. For more precise value, see Unit Nameplate.
- ⑤ Based on U.S. Government Standard Tests.
- ⑥ Filters must be installed in return air stream. Square footages listed are based on 300 f.p.m. face velocity. If permanent filters are used size per manufacturer's recommendation with a clean resistance of 0.05" W.C.
- ⑦ Unit is shipped on high input, unit is convertible to low input with a Low Fire accessory kit.



General Data

MODEL	YCC036F3H0B	YCC036F4H0A	YCC042F1M0B	YCC042F3M0B
RATED VOLTS/PH/HZ	208-230/3/60	460/3/60	208-230/1/60	208-230/3/60
RATINGS (COOLING) ①				
BTUH	35400	35400	42000	42000
Indoor Airflow (CFM)	1200	1200	1400	1400
Power Input (KW)	3.73	3.73	4.79	4.79
EER/SEER (BTU/Watt-Hr.)	9.50 / 10.00	9.50 / 10.00	8.85 / 10.00	8.85 / 10.00
Noise Rating No. ①	8.0	8.0	8.0	8.0
A.G.A. RATINGS (HEATING) ②				
(High) Input BTUH	100000	100000	100000	100000
Capacity BTUH ⑤⑦	80000	80000	80000	80000
AFUE	78%	78%	78%	78%
Temp. Rise °F. (Min./Max.)	45 - 75	45 - 75	45 - 75	45 - 75
(Low) Input BTUH	80000	80000	80000	80000
Capacity BTUH ⑤⑦	64000	64000	64000	64000
AFUE	80%	80%	80%	80%
Temp. Rise °F. (Min./Max.)	45 - 75	45 - 75	45 - 75	45 - 75
Type of Gas ③	NATURAL	NATURAL	NATURAL	NATURAL
POWER CONNS. — V/PH/HZ	208-230/3/60	460/3/60	208-230/1/60	208-230/3/60
Min. Brch. Cir. Ampacity	18	8	31.3	22
Br. Cir. Max. (Amps)	25	15	50	35
Prot. Rtg. Recmd. (Amps)	25	15	50	35
COMPRESSOR				
No. Used	1	1	1	1
Volts/Ph/Hz	208-230/3/60	460/3/60	208-230/1/60	208-230/3/60
R.L. Amps — L.R. Amps	11 - 101.0	4 - 51.0	20.6 - 105	14 - 101.0
OUTDOOR COIL — TYPE	PLATE FIN	PLATE FIN	PLATE FIN	PLATE FIN
Rows / F.P.I.	2 / 20	2 / 20	2 / 15	2 / 15
Face Area (Sq. Ft.)	6.34	6.34	8.62	8.62
Tube Size (in.)	3/8 COPPER	3/8 COPPER	3/8	3/8
INDOOR COIL — TYPE	PLATE FIN	PLATE FIN	PLATE FIN	PLATE FIN
Rows / F.P.I.	3 / 15	3 / 15	3 / 15	3 / 15
Face Area (Sq. Ft.)	3.96	3.96	4.28	4.28
Tube Size (in.)	3/8	3/8	3/8	3/8
Refrigerant Control	CAPILLARY	CAPILLARY	CAPILLARY	CAPILLARY
Drain Conn. Size (in.)	3/4" FEMALE NPT	3/4" FEMALE NPT	3/4" FEMALE	3/4" FEMALE
Duct Connections	SEE OUTLINE DRAWING	SEE OUTLINE DRAWING	SEE OUTLINE DRAWING	SEE OUTLINE DRAWING
OUTDOOR FAN — TYPE	PROPELLER	PROPELLER	PROPELLER	PROPELLER
No. Used / Dia. (in.)	1 / 18	1 / 18	1 / 18	1 / 18
Type Drive / No. Speeds	DIRECT / 1	DIRECT / 1	DIRECT / 1	DIRECT / 1
No. Motors — HP	1 - 1/5	1 - 1/2	1 - 1/5	1 - 1/5
Motor Speed R.P.M.	1080	1080	1080	1080
Volts/PH/HZ	230/1/60	460/1/60	230/1/60	230/1/60
F.L. Amps — L.R. Amps	1.6 - 3.3	1.7 - 3.8	1.6 - 3.3	1.6 - 3.3
INDOOR FAN — TYPE	CENTRIFUGAL	CENTRIFUGAL	CENTRIFUGAL	CENTRIFUGAL
Dia. x Width (in.)	10 X 9	10 X 9	10 X 9	10 X 9
No. Used	1	1	1	1
Drive / Speeds (No.)	DIRECT / 2	DIRECT / 2	DIRECT / 2	DIRECT / 2
No. Motors — HP	1 - 1/3	1 - 1/3	1 - 1/3	1 - 1/3
Motor Speed R.P.M.	1080	1080	1080	1080
Volts/PH/HZ	200-230/1/60	460/1/60	200-230/1/60	200-230/1/60
F.L. Amps	2.8/2.2 - 5.1	1.1 - 2.6	2.8/2.2 - 5.1	2.8/2.2 - 5.1
COMBUSTION FAN — TYPE	CENTRIFUGAL	CENTRIFUGAL	CENTRIFUGAL	CENTRIFUGAL
Drive — Speeds (No.)	DIRECT - 1	DIRECT - 1	DIRECT - 1	DIRECT - 1
Motor HP — Speed (RPM)	1/35 - 3480	1/35 - 3480	1/35 - 3480	1/35 - 3480
Volts/PH/HZ	240/1/60	240/1/60	208-240/1/60	208-240/1/60
F.L. Amps	0.6	0.6	0.6	0.6
FILTER — FURNISHED?	NO	NO	NO	NO
Type Recommended	THROWAWAY	THROWAWAY	THROWAWAY	THROWAWAY
Min Face Area-Lo (sq. ft.) ⑥	4.0	4.0	4.67	4.67
REFRIGERANT				
Charge (lbs. of R-22) ④	5 LBS, 15 OZ	5 LBS, 15 OZ	6 LBS, 8OZ	6 LBS, 8OZ
GAS PIPE SIZE (IN.)	1/2"	1/2"	1/2"	1/2"
DIMENSIONS				
H X W X D	H X W X D	H X W X D	H X W X D	H X W X D
Crated (in.)	35-1/4 X 38 X 64-5/8	35-1/4 X 38 X 64-5/8	35-1/4 X 38 X 64-5/8	35-1/4 X 38 X 64-5/8
Uncrated	SEE OUTLINE DRAWING	SEE OUTLINE DRAWING	SEE OUTLINE DRAWING	SEE OUTLINE DRAWING
WEIGHT				
Shipping (lbs.) / Net (lbs.)	452 / 403	440 / 394	461 / 414	461 / 414

*See unit nameplate for proper input adjustment

- ① Rated in accordance with A.R.I. Standard 210/240. Noise tested in accordance with A.R.I. Standard 270. A.R.I. standard rating conditions are: 80 D.B. 67 W.B. entering air to indoor coil. 95 D.B. entering air to outdoor coil.
- ② All models are UL Listed. Ratings shown are for elevations up to 2000 ft. For higher elevations reduce ratings at a rate of 4% per 1000 ft. elevation.
- ③ Convertible to LPG.
- ④ This value is approximate. For more precise value, see Unit Nameplate.
- ⑤ Based on U.S. Government Standard Tests.
- ⑥ Filters must be installed in return air stream. Square footages listed are based on 300 f.p.m. face velocity. If permanent filters are used size per manufacturer's recommendation with a clean resistance of 0.05" W.C.
- ⑦ Unit is shipped on high input, unit is convertible to low input with a Low Fire accessory kit.



General Data

MODEL	YCC048F1MOB	YCC048F3MOB	YCC048F1HOB	YCC048F3HOB
RATED VOLTS/PH/HZ	208-230/1/60	208-230/3/60	208-230/1/60	208-230/3/60
RATINGS (COOLING) ①				
BTUH	46500	46500	48000	48000
Indoor Airflow (CFM)	1600	1600	1600	1600
Power Input (KW)	5.23	5.23	5.19	5.05
EER/SEER (BTU/Watt-Hr.)	8.90 / 10.00	8.90 / 10.00	9.25 / 10.00	9.50 / 10.00
Noise Rating No. ①	8.2	8.2	8.4	8.4
A.G.A. RATINGS (HEATING) ②				
(High) Input BTUH	100000	100000	125000	125000
Capacity BTUH ⑤⑦	80000	80000	100000	100000
AFUE	78%	78%	78%	78%
Temp. Rise °F. (Min./Max.)	30 - 60	30 - 60	45 - 75	45 - 75
(Low) Input BTUH	80000	80000	100000	100000
Capacity BTUH ⑤⑦	64000	64000	80000	80000
AFUE	80%	80%	80%	80%
Temp. Rise °F. (Min./Max.)	30 - 60	30 - 60	45 - 75	45 - 75
Type of Gas ③	NATURAL	NATURAL	NATURAL	NATURAL
POWER CONNS. — V/PH/HZ	208-230/1/60	208-230/3/60	208-230/1/60	208-230/3/60
Min. Brch. Cir. Ampacity	33.0	24.8	36.4	26.8
Br. Cir. Max. (Amps)	50	40	50	40
Prot. Rtg. Recmd. (Amps)	50	40	50	40
COMPRESSOR				
No. Used	1	1	1	1
Volts/Ph/Hz	208-230/1/60	208-230/3/60	208-230/1/60	208-230/3/60
R.L. Amps — L.R. Amps	21.7 - 119	15.1 - 101.0	20.3 - 119.0	14.2 - 101
OUTDOOR COIL — TYPE	PLATE FIN	PLATE FIN	PLATE FIN	PLATE FIN
Rows / F.P.I.	2 / 15	2 / 15	2 / 15	2 / 15
Face Area (Sq. Ft.)	8.62	8.62	9.2	9.2
Tube Size (in.)	3/8	3/8	3/8	3/8
INDOOR COIL — TYPE	PLATE FIN	PLATE FIN	PLATE FIN	PLATE FIN
Rows / F.P.I.	3 / 15	3 / 15	3 / 15	3 / 15
Face Area (Sq. Ft.)	4.28	4.28	5.4	5.4
Tube Size (in.)	3/8	3/8	3/8	3/8
Refrigerant Control	CAPILLARY	CAPILLARY	CAPILLARY	CAPILLARY
Drain Conn. Size (in.)	3/4" FEMALE	3/4" FEMALE	3/4" FEMALE	3/4" FEMALE
Duct Connections	SEE OUTLINE DRAWING	SEE OUTLINE DRAWING	SEE OUTLINE DRAWING	SEE OUTLINE DRAWING
OUTDOOR FAN — TYPE	PROPELLER	PROPELLER	PROPELLER	PROPELLER
No. Used / Dia. (in.)	1 / 18	1 / 18	1 / 22	1 / 22
Type Drive / No. Speeds	DIRECT / 1	DIRECT / 1	DIRECT / 1	DIRECT / 1
No. Motors — HP	1 - 1/5	1 - 1/5	1 - 1/2	1 - 1/2
Motor Speed R.P.M.	1080	1080	1080	1080
Volts/PH/HZ	200-230/1/60	200-230/1/60	200-230/1/60	200-230/1/60
F.L. Amps — L.R. Amps	1.6 - 3.3	1.6 - 3.3	3.3/3.9 - 8.5	3.3/3.9 - 8.5
INDOOR FAN — TYPE	CENTRIFUGAL	CENTRIFUGAL	CENTRIFUGAL	CENTRIFUGAL
Dia. x Width (in.)	10 X 10	10 X 10	11 X 11	11 X 11
No. Used	1	1	1	1
Drive / Speeds (No.)	DIRECT / 1	DIRECT / 1	DIRECT / 2	DIRECT / 2
No. Motors — HP	1 - 3/4	1 - 3/4	1 - 3/4	1 - 3/4
Motor Speed R.P.M.	1145	1145	1080	1080
Volts/PH/HZ	200-230/1/60	200-230/1/60	200-230/1/60	200-230/1/60
F.L. Amps	4.3 - 11.2	4.3 - 11.2	5.0/4.3 - 9.7	5.0/4.3 - 9.7
COMBUSTION FAN — TYPE	CENTRIFUGAL	CENTRIFUGAL	CENTRIFUGAL	CENTRIFUGAL
Drive — Speeds (No.)	DIRECT - 1	DIRECT - 1	DIRECT - 1	DIRECT - 1
Motor HP — Speed (RPM)	1/35 - 3480	1/35 - 3480	1/35 - 3480	1/35 - 3480
Volts/PH/HZ	208-240/1/60	208-240/1/60	208-240/1/60	208-240/1/60
F.L. Amps	0.6	0.6	0.6	0.6
FILTER — FURNISHED?	NO	NO	NO	NO
Type Recommended	THROWAWAY	THROWAWAY	THROWAWAY	THROWAWAY
Min Face Area-Lo (sq. ft.) ⑥	5.33	5.33	5.33	5.33
REFRIGERANT				
Charge (lbs. of R-22) ④	6.42 LBS.	6.42 LBS.	8 LBS	8 LBS
GAS PIPE SIZE (IN.)	1/2"	1/2"	1/2"	1/2"
DIMENSIONS				
Crated (in.)	H X W X D 35-1/4 X 38 X 64-5/8	H X W X D 35-1/4 X 38 X 64-5/8	H X W X D 39-3/8 X 47 X 66-1/4	H X W X D 39-3/8 X 47 X 66-1/4
Uncrated	SEE OUTLINE DRAWING	SEE OUTLINE DRAWING	SEE OUTLINE DRAWING	SEE OUTLINE DRAWING
WEIGHT				
Shipping (lbs.) / Net (lbs.)	461 / 414	461 / 414	592 / 523	587 / 518

*See unit nameplate for proper input adjustment

- ① Rated in accordance with A.R.I. Standard 210/240. Noise tested in accordance with A.R.I. Standard 270. A.R.I. standard rating conditions are: 80 D.B. 67 W.B. entering air to indoor coil. 95 D.B. entering air to outdoor coil.
- ② All models are UL Listed. Ratings shown are for elevations up to 2000 ft. For higher elevations reduce ratings at a rate of 4% per 1000 ft. elevation.
- ③ Convertible to LPG.
- ④ This value is approximate. For more precise value, see Unit Nameplate.
- ⑤ Based on U.S. Government Standard Tests.
- ⑥ Filters must be installed in return air stream. Square footages listed are based on 300 f.p.m. face velocity. If permanent filters are used size per manufacturer's recommendation with a clean resistance of 0.05" W.C.
- ⑦ Unit is shipped on high input, unit is convertible to low input with a Low Fire accessory kit.



General Data

MODEL	YCC048F4H0B	YCC060F1M0B	YCC060F3M0B	YCC060F4M0B
RATED VOLTS/PH/HZ	460/3/60	208-230/1/60	208-230/3/60	460/3/60
RATINGS (COOLING) ①				
BTUH	48000	60000	60000	60000
Indoor Airflow (CFM)	1600	2000	2000	2000
Power Input (KW)	5.05	6.52	6.32	6.32
EER/SEER (BTU/Watt-Hr.)	9.50 / 10.00	9.20 / 10.00	9.50 / 10.00	9.50 / 10.00
Noise Rating No. ①	8.4	8.4	8.4	8.4
A.G.A. RATINGS (HEATING) ②				
(High) Input BTUH	125000	125000	125000	125000
Capacity BTUH ⑤⑦	100000	100000	100000	100000
AFUE	78%	78%	78%	78%
Temp. Rise °F. (Min./Max.)	45 - 75	30 - 75	30 - 75	30 - 75
(Low) Input BTUH	100000	100000	100000	100000
Capacity BTUH ⑤⑦	80000	80000	80000	80000
AFUE	80%	80%	80%	80%
Temp. Rise °F. (Min./Max.)	45 - 75	30 - 75	30 - 75	30 - 75
Type of Gas ③	NATURAL	NATURAL	NATURAL	NATURAL
POWER CONNS. — V/PH/HZ	460/3/60	208-230/1/60	208-230/3/60	460/3/60
Min. Brch. Cir. Ampacity	12.7	43.9	33.4	16.3
Br. Cir. Max. (Amps)	15	70	50	25
Prot. Rtg. Recmd. (Amps)	15	70	50	25
COMPRESSOR				
No. Used	1	1	1	1
Volts/Ph/Hz	460/3/60	208-230/1/60	208-230/3/60	460/3/60
R.L. Amps — L.R. Amps	6.7 - 51	27.9 - 141.0	19.5 - 139	9.4 - 71
OUTDOOR COIL — TYPE	PLATE FIN	PLATE FIN	PLATE FIN	PLATE FIN
Rows / F.P.I.	2 / 15	3 / 15	3 / 15	3 / 15
Face Area (Sq. Ft.)	9.2	9.2	9.2	9.2
Tube Size (in.)	3/8	3/8	3/8	3/8
INDOOR COIL — TYPE	PLATE FIN	PLATE FIN	PLATE FIN	PLATE FIN
Rows / F.P.I.	3 / 15	4 / 15	4 / 15	4 / 15
Face Area (Sq. Ft.)	5.4	5.4	5.4	5.4
Tube Size (in.)	3/8	3/8	3/8	3/8
Refrigerant Control	CAPILLARY	CAPILLARY	CAPILLARY	CAPILLARY
Drain Conn. Size (in.)	3/4" FEMALE	3/4" FEMALE	3/4" FEMALE	3/4" FEMALE
Duct Connections	SEE OUTLINE DRAWING	SEE OUTLINE DRAWING	SEE OUTLINE DRAWING	SEE OUTLINE DRAWING
OUTDOOR FAN — TYPE	PROPELLER	PROPELLER	PROPELLER	PROPELLER
No. Used / Dia. (in.)	1 / 22	1 / 22	1 / 22	1 / 22
Type Drive / No. Speeds	DIRECT / 1	DIRECT / 1	DIRECT / 1	DIRECT / 1
No. Motors — HP	1 - 1/2	1 - 1/2	1 - 1/2	1 - 1/2
Motor Speed R.P.M.	1080	1080	1080	1080
Volts/PH/HZ	460/1/60	200-230/1/60	200-230/1/60	460/1/60
F.L. Amps — L.R. Amps	1.7 - 3.8	3.3/3.9 - 8.5	3.3/3.9 - 8.5	1.7 - 3.8
INDOOR FAN — TYPE	CENTRIFUGAL	CENTRIFUGAL	CENTRIFUGAL	CENTRIFUGAL
Dia. x Width (in.)	11 X 11	11 X 11	11 X 11	11 X 11
No. Used	1	1	1	1
Drive / Speeds (No.)	DIRECT / 2	DIRECT / 2	DIRECT / 2	DIRECT / 2
No. Motors — HP	1 - 3/4	1 - 3/4	1 - 3/4	1 - 3/4
Motor Speed R.P.M.	1080	1080	1080	1080
Volts/PH/HZ	460/1/60	200-230/1/60	200-230/1/60	460/1/60
F.L. Amps	2.1 - 4.8	5.0/4.3 - 9.7	5.0/4.3 - 9.7	2.1 - 4.8
COMBUSTION FAN — TYPE	CENTRIFUGAL	CENTRIFUGAL	CENTRIFUGAL	CENTRIFUGAL
Drive — Speeds (No.)	DIRECT - 1	DIRECT - 1	DIRECT - 1	DIRECT - 1
Motor HP — Speed (RPM)	1/35 - 3480	1/35 - 3480	1/35 - 3480	1/35 - 3480
Volts/PH/HZ	208-240/1/60	208-230/1/60	208-230/1/60	208-230/1/60
F.L. Amps	0.6	0.6	0.6	0.6
FILTER — FURNISHED?	NO	NO	NO	NO
Type Recommended	THROWAWAY	THROWAWAY	THROWAWAY	THROWAWAY
Min Face Area-Lo (sq. ft.) ⑥	5.33	6.67	6.67	6.67
REFRIGERANT				
Charge (lbs. of R-22) ④	8 LBS	11 LBS, 3 OZ	11 LBS, 3 OZ	11 LBS, 3 OZ
GAS PIPE SIZE (IN.)	1/2"	1/2"	1/2"	1/2"
DIMENSIONS				
Crated (in.)	H X W X D 39-3/8 X 47 X 66-1/4	H X W X D 39-3/8 X 47 X 64-1/4	H X W X D 39-3/8 X 47 X 64-1/4	H X W X D 39-3/8 X 47 X 64-1/4
Uncrated	SEE OUTLINE DRAWING	SEE OUTLINE DRAWING	SEE OUTLINE DRAWING	SEE OUTLINE DRAWING
WEIGHT				
Shipping (lbs.) / Net (lbs.)	588 / 519	609 / 558	609 / 558	609 / 558

*See unit nameplate for proper input adjustment

- ① Rated in accordance with A.R.I. Standard 210/240. Noise tested in accordance with A.R.I. Standard 270. A.R.I. standard rating conditions are: 80 D.B. 67 W.B. entering air to indoor coil. 95 D.B. entering air to outdoor coil.
- ② All models are UL Listed. Ratings shown are for elevations up to 2000 ft. For higher elevations reduce ratings at a rate of 4% per 1000 ft. elevation.
- ③ Convertible to LPG.
- ④ This value is approximate. For more precise value, see Unit Nameplate.
- ⑤ Based on U.S. Government Standard Tests.
- ⑥ Filters must be installed in return air stream. Square footages listed are based on 300 f.p.m. face velocity. If permanent filters are used size per manufacturer's recommendation with a clean resistance of 0.05" W.C.
- ⑦ Unit is shipped on high input, unit is convertible to low input with a Low Fire accessory kit.



Performance Data Cooling

YCC018F—B AT 600 CFM (CAPACITIES ARE NET IN BTUH/1000-INDOOR FAN HEAT DEDUCTED)

O.D. D.B.	I.D. W.B.	TOTAL CAP.	SENS. CAP. AT ENTERING D.B. TEMP.					COMPR. KW	APP.DEW PT.	CORRECTION FACTORS - OTHER AIRFLOWS (multiply or add as indicated)		
			72	74	76	78	80					
85	59	15.7	12.4	13.4	14.4	15.4	16.0*	1.28	45.6	AIRFLOW 525 675 TOTAL CAP. X0.98 X1.02 SENS. CAP. X0.94 X1.05 COMPR. KW X0.99 X1.01 A.D.P. -1.6 +1.3	VALUES AT ARI RATING CONDITIONS	
	63	17.0	10.5	11.5	12.5	13.5	14.5	1.30	49.3			
	67	18.4	8.4	9.4	10.4	11.4	12.4	1.33	53.3			
	71	19.8	6.2	7.2	8.2	9.2	10.2	1.35	57.4			
90	59	15.6	12.4	13.4	14.4	15.4	15.9*	1.35	45.7	TOTAL NET CAPACITY = 18000 BTUH AIRFLOW = 600 CFM APP. DEW PT. = 53.7 DEG. F COMPRESSOR POWER = 1450 WATTS I.D. FAN POWER = 220 WATTS O.D. FAN POWER = 260 WATTS S.E.E.R. = 10.00 BTUH/WATT * DRY COIL CONDITION (TOTAL CAPACITY = SENSIBLE CAPACITY) TOTAL CAPACITY, COMP. KW AND APP. DEW PT. ARE VALID ONLY FOR ALL TEMPERATURES IN DEGREES F.	VALUES AT ARI RATING CONDITIONS	
	63	16.9	10.4	11.4	12.4	13.4	14.4	1.37	49.5			
	67	18.2	8.3	9.3	10.3	11.3	12.3	1.39	53.5			
	71	19.6	6.1	7.1	8.1	9.1	10.1	1.41	57.7			
95	59	15.5	12.3	13.3	14.3	15.3	15.8*	1.42	45.8	TOTAL NET CAPACITY = 18000 BTUH AIRFLOW = 600 CFM APP. DEW PT. = 53.7 DEG. F COMPRESSOR POWER = 1450 WATTS I.D. FAN POWER = 220 WATTS O.D. FAN POWER = 260 WATTS S.E.E.R. = 10.00 BTUH/WATT * DRY COIL CONDITION (TOTAL CAPACITY = SENSIBLE CAPACITY) TOTAL CAPACITY, COMP. KW AND APP. DEW PT. ARE VALID ONLY FOR ALL TEMPERATURES IN DEGREES F.	VALUES AT ARI RATING CONDITIONS	
	63	16.7	10.4	11.4	12.4	13.4	14.4	1.43	49.6			
	67	18.0	8.2	9.2	10.2	11.2	12.2	1.45	53.7			
	71	19.3	6.0	7.0	8.0	9.0	10.0	1.47	57.9			
100	59	15.2	12.2	13.2	14.2	15.2*	15.6*	1.49	46.1	TOTAL NET CAPACITY = 18000 BTUH AIRFLOW = 600 CFM APP. DEW PT. = 53.7 DEG. F COMPRESSOR POWER = 1450 WATTS I.D. FAN POWER = 220 WATTS O.D. FAN POWER = 260 WATTS S.E.E.R. = 10.00 BTUH/WATT * DRY COIL CONDITION (TOTAL CAPACITY = SENSIBLE CAPACITY) TOTAL CAPACITY, COMP. KW AND APP. DEW PT. ARE VALID ONLY FOR ALL TEMPERATURES IN DEGREES F.	VALUES AT ARI RATING CONDITIONS	
	63	16.4	10.2	11.2	12.2	13.2	14.2	1.50	49.9			
	67	17.6	8.1	9.1	10.1	11.1	12.1	1.52	54.0			
	71	18.9	5.8	6.8	7.8	8.8	9.8	1.53	58.3			
105	59	14.9	12.1	13.1	14.1	15.0*	15.4*	1.57	46.3	TOTAL NET CAPACITY = 18000 BTUH AIRFLOW = 600 CFM APP. DEW PT. = 53.7 DEG. F COMPRESSOR POWER = 1450 WATTS I.D. FAN POWER = 220 WATTS O.D. FAN POWER = 260 WATTS S.E.E.R. = 10.00 BTUH/WATT * DRY COIL CONDITION (TOTAL CAPACITY = SENSIBLE CAPACITY) TOTAL CAPACITY, COMP. KW AND APP. DEW PT. ARE VALID ONLY FOR ALL TEMPERATURES IN DEGREES F.	VALUES AT ARI RATING CONDITIONS	
	63	16.1	10.1	11.1	12.1	13.1	14.1	1.58	50.2			
	67	17.3	7.9	8.9	9.9	10.9	11.9	1.58	54.4			
	71	18.5	5.7	6.7	7.7	8.7	9.7	1.59	58.6			
115	59	14.4	11.8	12.8	13.8	14.6*	14.9*	1.73	46.9	TOTAL NET CAPACITY = 18000 BTUH AIRFLOW = 600 CFM APP. DEW PT. = 53.7 DEG. F COMPRESSOR POWER = 1450 WATTS I.D. FAN POWER = 220 WATTS O.D. FAN POWER = 260 WATTS S.E.E.R. = 10.00 BTUH/WATT * DRY COIL CONDITION (TOTAL CAPACITY = SENSIBLE CAPACITY) TOTAL CAPACITY, COMP. KW AND APP. DEW PT. ARE VALID ONLY FOR ALL TEMPERATURES IN DEGREES F.	VALUES AT ARI RATING CONDITIONS	
	63	15.4	9.9	10.9	11.9	12.9	13.9	1.72	50.8			
	67	16.5	7.6	8.6	9.6	10.6	11.6	1.72	55.1			
	71	17.7	5.4	6.4	7.4	8.4	9.4	1.72	59.3			

YCC024F—B AT 800 CFM (CAPACITIES ARE NET IN BTUH/1000-INDOOR FAN HEAT DEDUCTED)

O.D. D.B.	I.D. W.B.	TOTAL CAP.	SENS. CAP. AT ENTERING D.B. TEMP.					COMPR. KW	APP.DEW PT.	CORRECTION FACTORS - OTHER AIRFLOWS (multiply or add as indicated)		
			72	74	76	78	80					
85	59	20.7	17.0	18.5	19.9	21.0*	21.5*	1.72	46.8	AIRFLOW 700 900 TOTAL CAP. X0.98 X1.01 SENS. CAP. X0.94 X1.06 COMPR. KW X0.99 X1.01 A.D.P. -1.3 +1.1	VALUES AT ARI RATING CONDITIONS	
	63	22.4	14.3	15.7	17.2	18.6	20.0	1.77	50.6			
	67	24.3	11.2	12.7	14.1	15.5	17.0	1.83	54.7			
	71	26.2	8.1	9.5	11.0	12.4	13.9	1.89	58.8			
90	59	20.3	16.9	18.3	19.8	20.7*	21.2*	1.80	47.0	TOTAL NET CAPACITY = 23400 BTUH AIRFLOW = 800 CFM APP. DEW PT. = 55.2 DEG. F COMPRESSOR POWER = 1990 WATTS I.D. FAN POWER = 300 WATTS O.D. FAN POWER = 260 WATTS S.E.E.R. = 10.00 BTUH/WATT * DRY COIL CONDITION (TOTAL CAPACITY = SENSIBLE CAPACITY) TOTAL CAPACITY, COMP. KW AND APP. DEW PT. ARE VALID ONLY FOR ALL TEMPERATURES IN DEGREES F.	VALUES AT ARI RATING CONDITIONS	
	63	22.0	14.1	15.6	17.0	18.4	19.9	1.85	50.8			
	67	23.8	11.0	12.5	13.9	15.4	16.8	1.91	54.9			
	71	25.7	7.9	9.4	10.8	12.2	13.7	1.97	59.1			
95	59	20.0	16.7	18.2	19.6	20.4*	20.9*	1.87	47.2	TOTAL NET CAPACITY = 23400 BTUH AIRFLOW = 800 CFM APP. DEW PT. = 55.2 DEG. F COMPRESSOR POWER = 1990 WATTS I.D. FAN POWER = 300 WATTS O.D. FAN POWER = 260 WATTS S.E.E.R. = 10.00 BTUH/WATT * DRY COIL CONDITION (TOTAL CAPACITY = SENSIBLE CAPACITY) TOTAL CAPACITY, COMP. KW AND APP. DEW PT. ARE VALID ONLY FOR ALL TEMPERATURES IN DEGREES F.	VALUES AT ARI RATING CONDITIONS	
	63	21.7	14.0	15.4	16.8	18.3	19.7	1.93	51.1			
	67	23.4	10.9	12.3	13.8	15.2	16.6	1.99	55.2			
	71	25.2	7.7	9.2	10.6	12.1	13.5	2.05	59.4			
100	59	19.5	16.5	18.0	19.4	20.0*	20.5*	1.96	47.6	TOTAL NET CAPACITY = 23400 BTUH AIRFLOW = 800 CFM APP. DEW PT. = 55.2 DEG. F COMPRESSOR POWER = 1990 WATTS I.D. FAN POWER = 300 WATTS O.D. FAN POWER = 260 WATTS S.E.E.R. = 10.00 BTUH/WATT * DRY COIL CONDITION (TOTAL CAPACITY = SENSIBLE CAPACITY) TOTAL CAPACITY, COMP. KW AND APP. DEW PT. ARE VALID ONLY FOR ALL TEMPERATURES IN DEGREES F.	VALUES AT ARI RATING CONDITIONS	
	63	21.1	13.7	15.2	16.6	18.0	19.5	2.02	51.4			
	67	22.8	10.6	12.1	13.5	15.0	16.4	2.08	55.6			
	71	24.5	7.5	8.9	10.4	11.8	13.3	2.14	59.8			
105	59	19.0	16.3	17.7	19.1*	19.6*	20.1*	2.05	47.9	TOTAL NET CAPACITY = 23400 BTUH AIRFLOW = 800 CFM APP. DEW PT. = 55.2 DEG. F COMPRESSOR POWER = 1990 WATTS I.D. FAN POWER = 300 WATTS O.D. FAN POWER = 260 WATTS S.E.E.R. = 10.00 BTUH/WATT * DRY COIL CONDITION (TOTAL CAPACITY = SENSIBLE CAPACITY) TOTAL CAPACITY, COMP. KW AND APP. DEW PT. ARE VALID ONLY FOR ALL TEMPERATURES IN DEGREES F.	VALUES AT ARI RATING CONDITIONS	
	63	20.6	13.5	14.9	16.4	17.8	19.3	2.10	51.8			
	67	22.2	10.4	11.9	13.3	14.7	16.2	2.17	55.9			
	71	23.9	7.3	8.7	10.1	11.6	13.0	2.23	60.2			
115	59	18.0	15.9	17.3	18.3*	18.8*	19.2*	2.22	48.5	TOTAL NET CAPACITY = 23400 BTUH AIRFLOW = 800 CFM APP. DEW PT. = 55.2 DEG. F COMPRESSOR POWER = 1990 WATTS I.D. FAN POWER = 300 WATTS O.D. FAN POWER = 260 WATTS S.E.E.R. = 10.00 BTUH/WATT * DRY COIL CONDITION (TOTAL CAPACITY = SENSIBLE CAPACITY) TOTAL CAPACITY, COMP. KW AND APP. DEW PT. ARE VALID ONLY FOR ALL TEMPERATURES IN DEGREES F.	VALUES AT ARI RATING CONDITIONS	
	63	19.4	13.1	14.5	15.9	17.4	18.8	2.28	52.4			
	67	21.0	10.0	11.4	12.8	14.3	15.7	2.34	56.6			
	71	22.5	6.8	8.2	9.7	11.1	12.6	2.41	60.9			

YCC030F1L0B AT 1000 CFM (CAPACITIES ARE NET IN BTUH/1000-INDOOR FAN HEAT DEDUCTED)

O.D. D.B.	I.D. W.B.	TOTAL CAP.	SENS. CAP. AT ENTERING D.B. TEMP.					COMPR. KW	APP.DEW PT.	CORRECTION FACTORS - OTHER AIRFLOWS (multiply or add as indicated)		
			72	74	76	78	80					
85	59	25.9	21.4	23.1	24.9	26.3*	27.0*	2.20	46.7	AIRFLOW 875 1125 TOTAL CAP. X0.98 X1.01 SENS. CAP. X0.94 X1.05 COMPR. KW X0.99 X1.01 A.D.P. -1.4 +1.1	VALUES AT ARI RATING CONDITIONS	
	63	28.1	18.0	19.7	21.5	23.3	25.0	2.28	50.5			
	67	30.4	14.2	16.0	17.7	19.5	21.3	2.37	54.6			
	71	32.7	10.3	12.1	13.9	15.6	17.4	2.45	58.8			
90	59	25.5	21.1	22.9	24.7	25.9*	26.6*	2.31	47.0	TOTAL NET CAPACITY = 29200 BTUH AIRFLOW = 1000 CFM APP. DEW PT. = 55.2 DEG. F COMPRESSOR POWER = 2580 WATTS I.D. FAN POWER = 340 WATTS O.D. FAN POWER = 250 WATTS S.E.E.R. = 10.00 BTUH/WATT * DRY COIL CONDITION (TOTAL CAPACITY = SENSIBLE CAPACITY) TOTAL CAPACITY, COMP. KW AND APP. DEW PT. ARE VALID ONLY FOR ALL TEMPERATURES IN DEGREES F.	VALUES AT ARI RATING CONDITIONS	
	63	27.6	17.7	19.5	21.3	23.0	24.8	2.39	50.8			
	67	29.8	14.0	15.7	17.5	19.3	21.0	2.47	54.9			
	71	32.1	10.1	11.9	13.6	15.4	17.2	2.56	59.1			
95	59	25.0	20.9	22.7	24.5	25.5*	26.2*	2.41	47.3	TOTAL NET CAPACITY = 29200 BTUH AIRFLOW = 1000 CFM APP. DEW PT. = 55.2 DEG. F COMPRESSOR POWER = 2580 WATTS I.D. FAN POWER = 340 WATTS O.D. FAN POWER = 250 WATTS S.E.E.R. = 10.00 BTUH/WATT * DRY COIL CONDITION (TOTAL CAPACITY = SENSIBLE CAPACITY) TOTAL CAPACITY, COMP. KW AND APP. DEW PT. ARE VALID ONLY FOR ALL TEMPERATURES IN DEGREES F.	VALUES AT ARI RATING CONDITIONS	
	63	27.1	17.5	19.3	21.1	22.8	24.6	2.50	51.1			
	67	29.2	13.7	15.5	17.3	19.0	20.8	2.58	55.2			
	71	31.4	9.9	11.6	13.4	15.2	16.9	2.67	59.4			
100	59	24.4	20.7	22.4	24.2	25.0*	25.7*	2.54	47.6	TOTAL NET CAPACITY = 29200 BTUH AIRFLOW = 1000 CFM APP. DEW PT. = 55.2 DEG. F COMPRESSOR POWER = 2580 WATTS I.D. FAN POWER = 340 WATTS O.D. FAN POWER = 250 WATTS S.E.E.R. = 10.00 BTUH/WATT * DRY COIL CONDITION (TOTAL CAPACITY = SENSIBLE CAPACITY) TOTAL CAPACITY, COMP. KW AND APP. DEW PT. ARE VALID ONLY FOR ALL TEMPERATURES IN DEGREES F.	VALUES AT ARI RATING CONDITIONS	
	63	26.4	17.3	19.0	20.8	22.5	24.3	2.62	51.4			
	67	28.5	13.5	15.2	17.0	18.8	20.5	2.71	55.6			
	71	30.6	9.6	11.3	13.1	14.9	16.6	2.80	59.8			
105	59	23.8	20.4	22.2	23.9*	24.5*	25.2*	2.66	47.9	TOTAL NET CAPACITY = 29200 BTUH AIRFLOW = 1000 CFM APP. DEW PT. = 55.2 DEG. F COMPRESSOR POWER = 2580 WATTS I.D. FAN POWER = 340 WATTS O.D. FAN POWER = 250 WATTS S.E.E.R. = 10.00 BTUH/WATT * DRY COIL CONDITION (TOTAL CAPACITY = SENSIBLE CAPACITY) TOTAL CAPACITY, COMP. KW AND APP. DEW PT. ARE VALID ONLY FOR ALL TEMPERATURES IN DEGREES F.	VALUES AT ARI RATING CONDITIONS	
	63	25.8	17.0	18.8	20.5	22.3	24.0	2.75	51.8			
	67	27.8	13.2	14.9	16.7	18.5	20.2	2.83	55.9			
	71	29.8	9.3	11.1	12.8	14.6	16.4	2.92	60.1			
115	59	22.6	19.9	21.7	23.0*	23.6*	24.1*	2.92	48.6	TOTAL NET CAPACITY = 29200 BTUH AIRFLOW = 1000 CFM APP. DEW PT. = 55.2 DEG. F COMPRESSOR POWER = 2580 WATTS I.D. FAN POWER = 340 WATTS O.D. FAN POWER = 250 WATTS S.E.E.R. = 10.00 BTUH/WATT * DRY COIL CONDITION (TOTAL CAPACITY = SENSIBLE CAPACITY) TOTAL CAPACITY, COMP. KW AND APP. DEW PT. ARE VALID ONLY FOR ALL TEMPERATURES IN DEGREES F.	VALUES AT ARI RATING CONDITIONS	
	63	24.4	16.5	18.2	20.0	21.7	23.5	3.01	52.4			
	67	26.3	12.6	14.4	16.2	17.9	19.7	3.09	56.6			
	71	28.3	8.7	10.5	12.3	14.0	15.8	3.17	60.9			



Performance Data Cooling

YCC030F1M0B AT 1000 CFM (CAPACITIES ARE NET IN BTUH/1000-INDOOR FAN HEAT DEDUCTED)

O.D. D.B.	I.D. W.B.	TOTAL CAP.	SENS. CAP. AT ENTERING D.B. TEMP.					COMPR. KW	APP.DEW PT.	CORRECTION FACTORS - OTHER AIRFLOWS (multiply or add as indicated)		
			72	74	76	78	80					
85	59	26.7	21.7	23.5	25.3	26.9*	27.6*	2.26	46.4	AIRFLOW 875 1125 TOTAL CAP. X0.98 X1.01 SENS. CAP. X0.94 X1.05 COMPR. KW X0.99 X1.01 A.D.P. -1.4 +1.1	VALUES AT ARI RATING CONDITIONS	
	63	28.9	18.2	20.0	21.8	23.6	25.4	2.34	50.2			
	67	31.1	14.3	16.1	17.9	19.7	21.5	2.43	54.4			
	71	33.5	10.4	12.2	14.0	15.8	17.6	2.51	58.6			
90	59	26.2	21.5	23.3	25.1	26.5*	27.2*	2.36	46.7	TOTAL NET CAPACITY = 29800 BTUH AIRFLOW = 1000 CFM APP. DEW PT. = 55.0 DEG. F COMPRESSOR POWER = 2640 WATTS I.D. FAN POWER = 380 WATTS O.D. FAN POWER = 250 WATTS S.E.E.R. = 10.00 BTUH/WATT * DRY COIL CONDITION (TOTAL CAPACITY = SENSIBLE CAPACITY) TOTAL CAPACITY, COMP. KW AND APP. DEW PT. ARE VALID ONLY FOR ALL TEMPERATURES IN DEGREES F.	VALUES AT ARI RATING CONDITIONS	
	63	28.3	18.0	19.8	21.6	23.4	25.2	2.45	50.5			
	67	30.5	14.1	15.9	17.7	19.5	21.3	2.53	54.7			
	71	32.7	10.1	11.9	13.7	15.5	17.3	2.62	58.9			
95	59	25.6	21.2	23.0	24.8	26.1*	26.7*	2.47	47.0	TOTAL NET CAPACITY = 29800 BTUH AIRFLOW = 1000 CFM APP. DEW PT. = 55.0 DEG. F COMPRESSOR POWER = 2640 WATTS I.D. FAN POWER = 380 WATTS O.D. FAN POWER = 250 WATTS S.E.E.R. = 10.00 BTUH/WATT * DRY COIL CONDITION (TOTAL CAPACITY = SENSIBLE CAPACITY) TOTAL CAPACITY, COMP. KW AND APP. DEW PT. ARE VALID ONLY FOR ALL TEMPERATURES IN DEGREES F.	VALUES AT ARI RATING CONDITIONS	
	63	27.7	17.7	19.5	21.3	23.1	24.9	2.55	50.8			
	67	29.8	13.8	15.6	17.4	19.2	21.0	2.64	55.0			
	71	32.0	9.9	11.7	13.5	15.3	17.1	2.73	59.3			
100	59	25.0	20.9	22.7	24.5	25.5*	26.1*	2.59	47.3	TOTAL NET CAPACITY = 29800 BTUH AIRFLOW = 1000 CFM APP. DEW PT. = 55.0 DEG. F COMPRESSOR POWER = 2640 WATTS I.D. FAN POWER = 380 WATTS O.D. FAN POWER = 250 WATTS S.E.E.R. = 10.00 BTUH/WATT * DRY COIL CONDITION (TOTAL CAPACITY = SENSIBLE CAPACITY) TOTAL CAPACITY, COMP. KW AND APP. DEW PT. ARE VALID ONLY FOR ALL TEMPERATURES IN DEGREES F.	VALUES AT ARI RATING CONDITIONS	
	63	26.9	17.4	19.2	21.0	22.8	24.6	2.68	51.2			
	67	29.0	13.5	15.3	17.1	18.9	20.7	2.77	55.4			
	71	31.1	9.6	11.4	13.2	15.0	16.8	2.86	59.7			
105	59	24.3	20.6	22.4	24.2	24.9*	25.5*	2.72	47.7	TOTAL NET CAPACITY = 29800 BTUH AIRFLOW = 1000 CFM APP. DEW PT. = 55.0 DEG. F COMPRESSOR POWER = 2640 WATTS I.D. FAN POWER = 380 WATTS O.D. FAN POWER = 250 WATTS S.E.E.R. = 10.00 BTUH/WATT * DRY COIL CONDITION (TOTAL CAPACITY = SENSIBLE CAPACITY) TOTAL CAPACITY, COMP. KW AND APP. DEW PT. ARE VALID ONLY FOR ALL TEMPERATURES IN DEGREES F.	VALUES AT ARI RATING CONDITIONS	
	63	26.2	17.1	18.9	20.7	22.5	24.3	2.80	51.6			
	67	28.2	13.2	15.0	16.8	18.6	20.4	2.89	55.8			
	71	30.2	9.2	11.0	12.8	14.6	16.4	2.98	60.1			
115	59	22.9	20.1	21.9	23.2*	23.8*	24.4*	2.98	48.4	TOTAL NET CAPACITY = 29800 BTUH AIRFLOW = 1000 CFM APP. DEW PT. = 55.0 DEG. F COMPRESSOR POWER = 2640 WATTS I.D. FAN POWER = 380 WATTS O.D. FAN POWER = 250 WATTS S.E.E.R. = 10.00 BTUH/WATT * DRY COIL CONDITION (TOTAL CAPACITY = SENSIBLE CAPACITY) TOTAL CAPACITY, COMP. KW AND APP. DEW PT. ARE VALID ONLY FOR ALL TEMPERATURES IN DEGREES F.	VALUES AT ARI RATING CONDITIONS	
	63	24.7	16.5	18.3	20.1	21.9	23.7	3.06	52.3			
	67	26.5	12.6	14.4	16.2	18.0	19.8	3.14	56.5			
	71	28.4	8.6	10.4	12.2	14.0	15.8	3.23	60.8			

YCC036F—B AT 1200 CFM (CAPACITIES ARE NET IN BTUH/1000-INDOOR FAN HEAT DEDUCTED)

O.D. D.B.	I.D. W.B.	TOTAL CAP.	SENS. CAP. AT ENTERING D.B. TEMP.					COMPR. KW	APP.DEW PT.	CORRECTION FACTORS - OTHER AIRFLOWS (multiply or add as indicated)		
			72	74	76	78	80					
85	59	31.1	25.8	28.0	30.1	31.6*	32.4*	2.79	47.0	AIRFLOW 1050 1350 TOTAL CAP. X0.98 X1.01 SENS. CAP. X0.94 X1.05 COMPR. KW X0.99 X1.01 A.D.P. -1.4 +1.1	VALUES AT ARI RATING CONDITIONS	
	63	33.6	21.7	23.8	26.0	28.1	30.3	2.90	50.8			
	67	36.3	17.0	19.2	21.3	23.5	25.6	3.01	55.0			
	71	38.9	12.3	14.4	16.6	18.7	20.9	3.13	59.2			
90	59	30.7	25.7	27.8	30.0	31.3*	32.1*	2.92	47.2	TOTAL NET CAPACITY = 35200 BTUH AIRFLOW = 1200 CFM APP. DEW PT. = 55.4 DEG. F COMPRESSOR POWER = 3290 WATTS I.D. FAN POWER = 470 WATTS O.D. FAN POWER = 260 WATTS S.E.E.R. = 10.00 BTUH/WATT * DRY COIL CONDITION (TOTAL CAPACITY = SENSIBLE CAPACITY) TOTAL CAPACITY, COMP. KW AND APP. DEW PT. ARE VALID ONLY FOR ALL TEMPERATURES IN DEGREES F.	VALUES AT ARI RATING CONDITIONS	
	63	33.2	21.5	23.6	25.8	27.9	30.1	3.03	51.0			
	67	35.7	16.8	19.0	21.1	23.3	25.4	3.15	55.2			
	71	38.4	12.1	14.2	16.4	18.5	20.7	3.27	59.4			
95	59	30.3	25.5	27.6	29.8	31.0*	31.7*	3.06	47.4	TOTAL NET CAPACITY = 35200 BTUH AIRFLOW = 1200 CFM APP. DEW PT. = 55.4 DEG. F COMPRESSOR POWER = 3290 WATTS I.D. FAN POWER = 470 WATTS O.D. FAN POWER = 260 WATTS S.E.E.R. = 10.00 BTUH/WATT * DRY COIL CONDITION (TOTAL CAPACITY = SENSIBLE CAPACITY) TOTAL CAPACITY, COMP. KW AND APP. DEW PT. ARE VALID ONLY FOR ALL TEMPERATURES IN DEGREES F.	VALUES AT ARI RATING CONDITIONS	
	63	32.7	21.3	23.4	25.6	27.7	29.9	3.17	51.2			
	67	35.2	16.6	18.8	20.9	23.1	25.2	3.29	55.4			
	71	37.8	11.9	14.0	16.2	18.3	20.5	3.41	59.6			
100	59	29.7	25.2	27.3	29.5	30.5*	31.2*	3.22	47.6	TOTAL NET CAPACITY = 35200 BTUH AIRFLOW = 1200 CFM APP. DEW PT. = 55.4 DEG. F COMPRESSOR POWER = 3290 WATTS I.D. FAN POWER = 470 WATTS O.D. FAN POWER = 260 WATTS S.E.E.R. = 10.00 BTUH/WATT * DRY COIL CONDITION (TOTAL CAPACITY = SENSIBLE CAPACITY) TOTAL CAPACITY, COMP. KW AND APP. DEW PT. ARE VALID ONLY FOR ALL TEMPERATURES IN DEGREES F.	VALUES AT ARI RATING CONDITIONS	
	63	32.0	21.0	23.1	25.3	27.4	29.6	3.33	51.5			
	67	34.4	16.3	18.5	20.6	22.8	24.9	3.45	55.7			
	71	36.9	11.6	13.7	15.9	18.0	20.1	3.58	60.0			
105	59	29.1	24.9	27.1	29.1*	29.9*	30.6*	3.38	47.9	TOTAL NET CAPACITY = 35200 BTUH AIRFLOW = 1200 CFM APP. DEW PT. = 55.4 DEG. F COMPRESSOR POWER = 3290 WATTS I.D. FAN POWER = 470 WATTS O.D. FAN POWER = 260 WATTS S.E.E.R. = 10.00 BTUH/WATT * DRY COIL CONDITION (TOTAL CAPACITY = SENSIBLE CAPACITY) TOTAL CAPACITY, COMP. KW AND APP. DEW PT. ARE VALID ONLY FOR ALL TEMPERATURES IN DEGREES F.	VALUES AT ARI RATING CONDITIONS	
	63	31.3	20.7	22.8	25.0	27.1	29.3	3.50	51.8			
	67	33.7	16.0	18.2	20.3	22.5	24.6	3.62	56.0			
	71	36.1	11.3	13.4	15.5	17.7	19.8	3.74	60.3			
115	59	27.8	24.4	26.5	28.1*	28.9*	29.5*	3.71	48.5	TOTAL NET CAPACITY = 35200 BTUH AIRFLOW = 1200 CFM APP. DEW PT. = 55.4 DEG. F COMPRESSOR POWER = 3290 WATTS I.D. FAN POWER = 470 WATTS O.D. FAN POWER = 260 WATTS S.E.E.R. = 10.00 BTUH/WATT * DRY COIL CONDITION (TOTAL CAPACITY = SENSIBLE CAPACITY) TOTAL CAPACITY, COMP. KW AND APP. DEW PT. ARE VALID ONLY FOR ALL TEMPERATURES IN DEGREES F.	VALUES AT ARI RATING CONDITIONS	
	63	29.9	20.1	22.3	24.4	26.6	28.7	3.83	52.4			
	67	32.1	15.4	17.6	19.7	21.9	24.0	3.95	56.7			
	71	34.4	10.7	12.8	15.0	17.1	19.2	4.07	61.0			

YCC042F AT 1400 CFM (CAPACITIES ARE NET IN BTUH/1000-INDOOR FAN HEAT DEDUCTED)

O.D. D.B.	I.D. W.B.	TOTAL CAP.	SENS. CAP. AT ENTERING D.B. TEMP.					COMPR. KW	APP.DEW PT.	CORRECTION FACTORS - OTHER AIRFLOWS (multiply or add as indicated)		
			72	74	76	78	80					
85	59	38.4	30.4	32.8	35.2	37.6	39.2*	3.45	45.4	AIRFLOW 1225 1575 TOTAL CAP. X0.99 X1.01 SENS. CAP. X0.95 X1.05 COMPR. KW X0.98 X1.01 A.D.P. -1.6 +1.2	VALUES AT ARI RATING CONDITIONS	
	63	41.5	25.7	28.1	30.5	33.0	35.4	3.61	49.3			
	67	44.8	20.4	22.9	25.3	27.7	30.2	3.77	53.3			
	71	48.1	15.1	17.5	20.0	22.4	24.8	3.94	57.5			
90	59	37.3	29.9	32.3	34.7	37.2	38.3*	3.58	45.9	TOTAL NET CAPACITY = 42000 BTUH AIRFLOW = 1400 CFM APP. DEW PT. = 54.4 DEG. F COMPRESSOR POWER = 4055 WATTS I.D. FAN POWER = 500 WATTS O.D. FAN POWER = 235 WATTS S.E.E.R. = 10.00 BTUH/WATT * DRY COIL CONDITION (TOTAL CAPACITY = SENSIBLE CAPACITY) TOTAL CAPACITY, COMP. KW AND APP. DEW PT. ARE VALID ONLY FOR ALL TEMPERATURES IN DEGREES F.	VALUES AT ARI RATING CONDITIONS	
	63	40.3	25.2	27.6	30.0	32.4	34.9	3.74	49.8			
	67	43.4	19.9	22.3	24.8	27.2	29.6	3.91	53.9			
	71	46.6	14.5	17.0	19.4	21.8	24.3	4.09	58.1			
95	59	36.2	29.4	31.8	34.2	36.4*	37.4*	3.71	46.4	TOTAL NET CAPACITY = 42000 BTUH AIRFLOW = 1400 CFM APP. DEW PT. = 54.4 DEG. F COMPRESSOR POWER = 4055 WATTS I.D. FAN POWER = 500 WATTS O.D. FAN POWER = 235 WATTS S.E.E.R. = 10.00 BTUH/WATT * DRY COIL CONDITION (TOTAL CAPACITY = SENSIBLE CAPACITY) TOTAL CAPACITY, COMP. KW AND APP. DEW PT. ARE VALID ONLY FOR ALL TEMPERATURES IN DEGREES F.	VALUES AT ARI RATING CONDITIONS	
	63	39.0	24.6	27.1	29.5	31.9	34.4	3.88	50.3			
	67	42.0	19.4	21.8	24.2	26.7	29.1	4.06	54.4			
	71	45.1	14.0	16.4	18.9	21.3	23.7	4.24	58.6			
100	59	35.1	28.9	31.4	33.8	35.6*	36.5*	3.88	46.8	TOTAL NET CAPACITY = 42000 BTUH AIRFLOW = 1400 CFM APP. DEW PT. = 54.4 DEG. F COMPRESSOR POWER = 4055 WATTS I.D. FAN POWER = 500 WATTS O.D. FAN POWER = 235 WATTS S.E.E.R. = 10.00 BTUH/WATT * DRY COIL CONDITION (TOTAL CAPACITY = SENSIBLE CAPACITY) TOTAL CAPACITY, COMP. KW AND APP. DEW PT. ARE VALID ONLY FOR ALL TEMPERATURES IN DEGREES F.	VALUES AT ARI RATING CONDITIONS	
	63	37.9	24.2	26.6	29.0	31.4	33.9	4.05	50.7			
	67	40.7	18.9	21.3	23.7	26.2	28.6	4.23	54.9			
	71	43.6	13.5	15.9	18.3	20.8	23.2	4.42	59.1			
105	59	34.1	28.5	30.9	33.3	34.7*	35.6*	4.04	47.3	TOTAL NET CAPACITY = 42000 BTUH AIRFLOW = 1400 CFM APP. DEW PT. = 54.4 DEG. F COMPRESSOR POWER = 4055 WATTS I.D. FAN POWER = 500 WATTS O.D. FAN POWER = 235 WATTS S.E.E.R. = 10.00 BTUH/WATT * DRY COIL CONDITION (TOTAL CAPACITY = SENSIBLE CAPACITY) TOTAL CAPACITY, COMP. KW AND APP. DEW PT. ARE VALID ONLY FOR ALL TEMPERATURES IN DEGREES F.	VALUES AT ARI RATING CONDITIONS	
	63	36.7	23.7	26.1	28.5	31.0	33.4	4.22	51.2			
	67	39.4	18.4	20.8	23.2	25.7	28.1	4.41	55.4			
	71	42.2	13.0	15.4	17.8	20.2	22.7	4.60	59.6			
115	59	31.9	27.5	29.9	32.0*	32.9*	33.7*	4.36	48.1	TOTAL NET CAPACITY = 42000 BTUH AIRFLOW = 1400 CFM APP. DEW PT. = 54.4 DEG. F COMPRESSOR POWER = 4055 WATTS I.D. FAN POWER = 500 WATTS O.D. FAN POWER = 235 WATTS S.E.E.R. = 10.00 BTUH/WATT * DRY COIL CONDITION (TOTAL CAPACITY = SENSIBLE CAPACITY) TOTAL CAPACITY, COMP. KW AND APP. DEW PT. ARE VALID ONLY FOR ALL TEMPERATURES IN DEGREES F.	VALUES AT ARI RATING CONDITIONS	
	63	34.3	22.7	25.1	27.6	30.0	32.4	4.56	52.1			
	67	36.7	17.4	19.8	22.2	24.7	27.1	4.76	56.3			
	71	39.3	12.0	14.4	16.8	19.2	21.7	4.97	60.6			

**To get gross capacity —
add indoor blower watts × 3.412 to net capacity.



Performance Data Cooling

YCC048F-M0B AT 1600 CFM (CAPACITIES ARE NET IN BTUH/1000-INDOOR FAN HEAT DEDUCTED)

O.D. D.B.	I.D. W.B.	TOTAL CAP.	SENS. CAP. AT ENTERING D.B. TEMP.				COMPR. KW	APP.DEW PT.	CORRECTION FACTORS - OTHER AIRFLOWS (multiply or add as indicated)		
			72	74	76	78					
85	59	41.8	33.8	36.5	39.3	41.9*	43.1*	3.57	46.2	AIRFLOW 1400 1800 TOTAL CAP. X0.98 X1.01 SENS. CAP. X0.95 X1.05 COMPR. KW X0.98 X1.01 A.D.P. -1.4 +1.3	
	63	45.2	28.4	31.2	33.9	36.7	39.4	3.70	50.0		
	67	48.8	22.4	25.2	28.0	30.7	33.5	3.84	54.1		
	71	52.4	16.3	19.1	21.9	24.6	27.4	3.98	58.3		
90	59	40.9	33.3	36.1	38.9	41.2*	42.3*	3.75	46.6	VALUES AT ARI RATING CONDITIONS	
	63	44.2	28.0	30.7	33.5	36.3	39.0	3.88	50.4		
	67	47.6	22.0	24.8	27.5	30.3	33.0	4.02	54.5		
	71	51.2	15.9	18.6	21.4	24.2	26.9	4.17	58.7		
95	59	40.0	32.9	35.7	38.4	40.4*	41.5*	3.92	46.9	TOTAL NET CAPACITY = 46500 BTUH AIRFLOW = 1600 CFM APP. DEW PT. = 54.9 DEG. F COMPRESSOR POWER = 4200 WATTS I.D. FAN POWER = 710 WATTS O.D. FAN POWER = 320 WATTS S.E.E.R. = 10.00 BTUH/WATT * DRY COIL CONDITION (TOTAL CAPACITY = SENSIBLE CAPACITY) TOTAL CAPACITY, COMP. KW AND APP. DEW PT. ARE VALID ONLY FOR ALL TEMPERATURES IN DEGREES F.	
	63	43.2	27.5	30.3	33.1	35.8	38.6	4.06	50.8		
	67	46.5	21.6	24.3	27.1	29.8	32.6	4.20	54.9		
	71	50.0	15.4	18.2	21.0	23.7	26.5	4.35	59.1		
100	59	38.6	32.3	35.1	37.8	39.4*	40.4*	4.09	47.4		
	63	41.7	26.9	29.7	32.4	35.2	38.0	4.23	51.3		
	67	44.9	20.9	23.7	26.4	29.2	32.0	4.37	55.4		
	71	48.2	14.8	17.6	20.3	23.1	25.8	4.52	59.7		
105	59	37.2	31.7	34.5	37.2*	38.3*	39.2*	4.26	47.9		
	63	40.2	26.3	29.1	31.8	34.6	37.3	4.40	51.8		
	67	43.3	20.3	23.1	25.8	28.6	31.3	4.54	56.0		
	71	46.4	14.2	16.9	19.7	22.5	25.2	4.69	60.2		
115	59	34.5	30.5	33.3	35.1*	36.0*	36.8*	4.61	48.9		
	63	37.2	25.1	27.8	30.6	33.4	36.1	4.75	52.8		
	67	40.0	19.1	21.8	24.6	27.3	30.1	4.89	57.0		
	71	42.9	12.9	15.7	18.4	21.2	24.0	5.03	61.3		

YCC048F-H-B AT 1600 CFM (CAPACITIES ARE NET IN BTUH/1000-INDOOR FAN HEAT DEDUCTED)

O.D. D.B.	I.D. W.B.	TOTAL CAP.	SENS. CAP. AT ENTERING D.B. TEMP.				COMPR. KW	APP.DEW PT.	CORRECTION FACTORS - OTHER AIRFLOWS (multiply or add as indicated)		
			72	74	76	78					
85	59	42.9	35.4	38.3	41.2	43.3*	44.5*	3.40	46.8	AIRFLOW 1400 1800 TOTAL CAP. X0.98 X1.01 SENS. CAP. X0.95 X1.05 COMPR. KW X0.99 X1.01 A.D.P. -1.5 +1.2	
	63	46.4	29.8	32.7	35.6	38.5	41.4	3.50	50.6		
	67	50.0	23.5	26.4	29.3	32.2	35.1	3.61	54.7		
	71	53.8	17.2	20.1	23.0	25.9	28.8	3.73	58.9		
90	59	42.0	35.0	37.9	40.8	42.6*	43.8*	3.57	47.1	VALUES AT ARI RATING CONDITIONS	
	63	45.4	29.4	32.3	35.2	38.1	41.0	3.67	51.0		
	67	49.0	23.1	26.0	28.9	31.8	34.7	3.78	55.1		
	71	52.7	16.7	19.6	22.5	25.4	28.3	3.89	59.3		
95	59	41.1	34.6	37.5	40.4	42.0*	43.1*	3.74	47.4	TOTAL NET CAPACITY = 48000 BTUH AIRFLOW = 1600 CFM APP. DEW PT. = 55.4 DEG. F COMPRESSOR POWER = 3950 WATTS I.D. FAN POWER = 690 WATTS O.D. FAN POWER = 550 WATTS S.E.E.R. = 10.00 BTUH/WATT * DRY COIL CONDITION (TOTAL CAPACITY = SENSIBLE CAPACITY) TOTAL CAPACITY, COMP. KW AND APP. DEW PT. ARE VALID ONLY FOR ALL TEMPERATURES IN DEGREES F.	
	63	44.5	29.0	31.9	34.8	37.7	40.6	3.84	51.3		
	67	48.0	22.7	25.6	28.5	31.4	34.3	3.95	55.4		
	71	51.6	16.3	19.2	22.1	25.0	27.9	4.06	59.6		
100	59	40.0	34.1	37.0	39.9	41.1*	42.1*	3.93	47.8		
	63	43.3	28.4	31.4	34.3	37.2	40.1	4.04	51.7		
	67	46.7	22.2	25.1	28.0	30.9	33.8	4.14	55.8		
	71	50.2	15.8	18.7	21.6	24.5	27.4	4.26	60.0		
105	59	38.9	33.6	36.5	39.1*	40.2*	41.2*	4.13	48.2		
	63	42.1	27.9	30.8	33.7	36.6	39.5	4.23	52.1		
	67	45.3	21.7	24.6	27.5	30.4	33.3	4.34	56.2		
	71	48.8	15.3	18.2	21.1	24.0	26.9	4.45	60.5		
115	59	36.6	32.6	35.5	37.2*	38.3*	39.2*	4.54	49.0		
	63	39.6	26.9	29.8	32.7	35.6	38.5	4.63	52.9		
	67	42.7	20.6	23.5	26.4	29.3	32.2	4.73	57.0		
	71	45.9	14.2	17.1	20.0	22.9	25.8	4.83	61.3		

YCC060F-M0B AT 2000 CFM (CAPACITIES ARE NET IN BTUH/1000-INDOOR FAN HEAT DEDUCTED)

O.D. D.B.	I.D. W.B.	TOTAL CAP.	SENS. CAP. AT ENTERING D.B. TEMP.				COMPR. KW	APP.DEW PT.	CORRECTION FACTORS - OTHER AIRFLOWS (multiply or add as indicated)		
			72	74	76	78					
85	59	54.2	43.7	47.4	51.2	54.6*	55.9*	4.40	46.3	AIRFLOW 1750 2250 TOTAL CAP. X0.98 X1.01 SENS. CAP. X0.94 X1.05 COMPR. KW X0.99 X1.01 A.D.P. -1.4 +1.1	
	63	58.3	36.4	40.1	43.8	47.5	51.2	4.52	50.2		
	67	62.6	28.4	32.1	35.8	39.5	43.2	4.64	54.4		
	71	67.1	20.2	23.9	27.6	31.3	35.0	4.77	58.7		
90	59	53.2	43.3	47.0	50.7	53.7*	55.0*	4.63	46.5	VALUES AT ARI RATING CONDITIONS	
	63	57.2	36.0	39.7	43.4	47.1	50.8	4.74	50.5		
	67	61.3	27.9	31.6	35.3	39.0	42.7	4.86	54.7		
	71	65.6	19.7	23.4	27.1	30.8	34.5	4.98	59.0		
95	59	52.2	42.9	46.6	50.3	52.9*	54.1*	4.85	46.8	TOTAL NET CAPACITY = 60000 BTUH AIRFLOW = 2000 CFM APP. DEW PT. = 55.0 DEG. F COMPRESSOR POWER = 5070 WATTS I.D. FAN POWER = 900 WATTS O.D. FAN POWER = 550 WATTS S.E.E.R. = 10.00 BTUH/WATT * DRY COIL CONDITION (TOTAL CAPACITY = SENSIBLE CAPACITY) TOTAL CAPACITY, COMP. KW AND APP. DEW PT. ARE VALID ONLY FOR ALL TEMPERATURES IN DEGREES F.	
	63	56.0	35.5	39.2	42.9	46.6	50.3	4.96	50.7		
	67	60.0	27.4	31.1	34.8	38.5	42.2	5.07	55.0		
	71	64.1	19.2	22.9	26.6	30.3	34.0	5.18	59.3		
100	59	50.7	42.2	45.9	49.6	51.7*	52.8*	5.11	47.1		
	63	54.4	34.8	38.5	42.2	45.9	49.6	5.21	51.1		
	67	58.2	26.7	30.4	34.1	37.8	41.5	5.32	55.4		
	71	62.1	18.5	22.2	25.9	29.6	33.3	5.42	59.8		
105	59	49.2	41.6	45.3	49.0	50.4*	51.5*	5.37	47.5		
	63	52.7	34.2	37.9	41.6	45.3	49.0	5.47	51.5		
	67	56.4	26.0	29.7	33.4	37.1	40.9	5.56	55.8		
	71	60.1	17.8	21.5	25.2	28.9	32.6	5.66	60.2		
115	59	46.1	40.3	44.0	46.7*	47.8*	48.9*	5.91	48.3		
	63	49.4	32.8	36.5	40.2	44.0	47.7	5.98	52.3		
	67	52.7	24.7	28.4	32.1	35.8	39.5	6.05	56.6		
	71	56.1	16.4	20.1	23.8	27.5	31.2	6.13	61.0		

TEMPERATURE RISE °F – 80% S.S. EFFICIENCY 300 – 500 CFM/TON

CFM	YXC018+L 1.5 TONS 600 CFM NOM		YXC024+L 2.0 TONS 800 CFM NOM		YXC024+M 2.0 TONS 800 CFM NOM		YXC030+L 2.5 TONS 1000 CFM NOM		YXC030+M 2.5 TONS 1000 CFM NOM		YXC036+L 3.0 TONS 1200 CFM NOM		YXC036+M 3.0 TONS 1200 CFM NOM		DCX036+H YXC036+H 3.0 TONS 1200 CFM NOM		YXC042+M 3.5 TONS 1400 CFM NOM		YXC048F+H 4.0 TON 1600 CFM NOM		YXC060F+M 5.0 TON 2000 CFM NOM				
	HTG – INPUT		HTG – INPUT		HTG – INPUT		HTG – INPUT		HTG – INPUT		HTG – INPUT		HTG – INPUT		HTG – INPUT		HTG – INPUT		HTG – INPUT		HTG – INPUT				
	40,000	50,000	40,000	50,000	60,000	75,000	40,000	50,000	50,000	75,000	40,000	50,000	60,000	75,000	80,000	100,000	80,000	100,000	80,000	100,000	100,000	125,000	100,000	125,000	
450	66.0	82.0	-	-	-	-	-	-	-	-	-	-	-	-	-	-	-	-	-	-	-	-	-		
500	59.0	74.0	-	-	-	-	-	-	-	-	-	-	-	-	-	-	-	-	-	-	-	-	-		
550	54.0	67.0	-	-	-	-	-	-	-	-	-	-	-	-	-	-	-	-	-	-	-	-	-		
600	49.0	62.0	49.0	62.0	74.0	93.0	-	-	-	-	-	-	-	-	-	-	-	-	-	-	-	-	-		
650	46.0	57.0	46.0	57.0	68.0	85.0	-	-	-	-	-	-	-	-	-	-	-	-	-	-	-	-	-		
700	42.0	53.0	42.0	53.0	63.0	79.0	-	-	-	-	-	-	-	-	-	-	-	-	-	-	-	-	-		
750	40.0	49.0	40.0	49.0	59.0	74.0	40.0	49.0	59.0	74.0	-	-	-	-	-	-	-	-	-	-	-	-	-		
800	-	-	37.0	46.0	56.0	69.0	37.0	46.0	56.0	69.0	-	-	-	-	-	-	-	-	-	-	-	-	-		
850	-	-	35.0	44.0	52.0	65.0	35.0	44.0	52.0	65.0	-	-	-	-	-	-	-	-	-	-	-	-	-		
900	-	-	33.0	41.0	49.0	62.0	33.0	41.0	49.0	62.0	33.0	41.0	49.0	62.0	66.0	82.0	-	-	-	-	-	-	-		
950	-	-	31.0	39.0	47.0	58.0	31.0	39.0	47.0	58.0	31.0	39.0	47.0	58.0	62.0	78.0	-	-	-	-	-	-	-		
1000	-	-	30.0	37.0	44.0	56.0	30.0	37.0	44.0	56.0	30.0	37.0	44.0	56.0	59.0	74.0	-	-	-	-	-	-	-		
1050	-	-	-	-	28.0	35.0	42.0	53.0	28.0	35.0	42.0	53.0	28.0	35.0	44.0	56.0	71.0	-	-	-	-	-	-		
1100	-	-	-	-	27.0	34.0	40.0	51.0	27.0	34.0	40.0	51.0	27.0	34.0	40.0	51.0	54.0	67.0	-	-	-	-	-		
1150	-	-	-	-	26.0	32.0	39.0	48.0	26.0	32.0	39.0	48.0	26.0	32.0	39.0	48.0	52.0	64.0	54.0	67.0	54.0	67.0	54.0	67.0	
1200	-	-	-	-	-	-	25.0	31.0	37.0	46.0	25.0	31.0	37.0	46.0	49.0	62.0	49.0	62.0	49.0	62.0	49.0	62.0	77.0	-	
1250	-	-	-	-	-	-	24.0	30.0	36.0	44.0	24.0	30.0	36.0	44.0	47.0	59.0	47.0	59.0	47.0	59.0	47.0	59.0	74.0	-	
1300	-	-	-	-	-	-	23.0	28.0	34.0	43.0	23.0	28.0	34.0	43.0	46.0	57.0	46.0	57.0	46.0	57.0	46.0	57.0	71.0	-	
1350	-	-	-	-	-	-	-	-	22.0	27.0	33.0	41.0	22.0	27.0	33.0	41.0	44.0	55.0	44.0	55.0	44.0	55.0	69.0	-	
1400	-	-	-	-	-	-	-	-	21.0	26.0	32.0	40.0	21.0	26.0	32.0	40.0	42.0	53.0	42.0	53.0	42.0	53.0	66.0	-	
1450	-	-	-	-	-	-	-	-	20.0	25.0	31.0	38.0	20.0	25.0	31.0	38.0	41.0	51.0	41.0	51.0	41.0	51.0	64.0	51.0	
1500	-	-	-	-	-	-	-	-	-	-	30.0	37.0	-	-	40.0	49.0	-	-	40.0	49.0	40.0	49.0	62.0	49.0	
1550	-	-	-	-	-	-	-	-	-	-	-	-	-	-	38.0	48.0	-	-	38.0	48.0	38.0	48.0	60.0	48.0	
1600	-	-	-	-	-	-	-	-	-	-	-	-	-	-	37.0	46.0	-	-	37.0	46.0	37.0	46.0	58.0	46.0	
1650	-	-	-	-	-	-	-	-	-	-	-	-	-	-	36.0	45.0	-	-	36.0	45.0	36.0	45.0	56.0	45.0	
1700	-	-	-	-	-	-	-	-	-	-	-	-	-	-	35.0	43.0	35.0	44.0	35.0	44.0	35.0	44.0	55.0	44.0	
1750	-	-	-	-	-	-	-	-	-	-	-	-	-	-	34.0	42.0	34.0	42.0	34.0	42.0	34.0	42.0	53.0	43.0	
1800	-	-	-	-	-	-	-	-	-	-	-	-	-	-	-	-	-	-	33.0	41.0	33.0	41.0	51.0	41.0	
1850	-	-	-	-	-	-	-	-	-	-	-	-	-	-	-	-	-	-	32.0	40.0	32.0	40.0	50.0	40.0	
1900	-	-	-	-	-	-	-	-	-	-	-	-	-	-	-	-	-	-	31.0	39.0	31.0	39.0	49.0	39.0	
1950	-	-	-	-	-	-	-	-	-	-	-	-	-	-	-	-	-	-	30.0	38.0	38.0	47.0	38.0	48.0	
2000	-	-	-	-	-	-	-	-	-	-	-	-	-	-	-	-	-	-	30.0	37.0	37.0	46.0	37.0	46.0	
2050	-	-	-	-	-	-	-	-	-	-	-	-	-	-	-	-	-	-	-	-	-	-	36.0	45.0	
2100	-	-	-	-	-	-	-	-	-	-	-	-	-	-	-	-	-	-	-	-	-	-	35.0	44.0	
2150	-	-	-	-	-	-	-	-	-	-	-	-	-	-	-	-	-	-	-	-	-	-	34.0	43.0	
2200	-	-	-	-	-	-	-	-	-	-	-	-	-	-	-	-	-	-	-	-	-	-	-	34.0	42.0
2250	-	-	-	-	-	-	-	-	-	-	-	-	-	-	-	-	-	-	-	-	-	-	-	34.0	41.0
2300	-	-	-	-	-	-	-	-	-	-	-	-	-	-	-	-	-	-	-	-	-	-	-	32.0	40.0
2350	-	-	-	-	-	-	-	-	-	-	-	-	-	-	-	-	-	-	-	-	-	-	-	32.0	40.0
2400	-	-	-	-	-	-	-	-	-	-	-	-	-	-	-	-	-	-	-	-	-	-	-	31.0	39.0
2450	-	-	-	-	-	-	-	-	-	-	-	-	-	-	-	-	-	-	-	-	-	-	-	31.0	38.0
2500	-	-	-	-	-	-	-	-	-	-	-	-	-	-	-	-	-	-	-	-	-	-	-	30.0	37.0

BASED ON TR = $\frac{BTU (1.80)}{1.08 CFM}$

NOTE: TEMPERATURE RISE OUTSIDE OF DARKENED BORDER IS NOT WITHIN RECOMMENDED NAMEPLATE OPERATING SPECIFICATIONS.

Performance Data
Temperature Rise





Performance Data Indoor Fan

External Static Pressure

INDOOR BLOWER PERFORMANCE
YCC060F

AIRFLOW CFM ②	HIGH SPEED			① LOW SPEED		
	PRESS. IN.W.G.	PWR. WATTS	BHP	PRESS. IN.W.G.	PWR. WATTS	BHP
1600	0.92	778	.652	0.70	684	.498
1650	0.87	793	.664	0.64	703	.499
1700	0.83	809	.676	0.57	724	.497
1750	0.78	825	.688	0.49	748	.488
1800	0.73	841	.701	0.39	776	.468
1850	0.68	857	.714	0.30	816	.441
1900	0.63	874	.727	0.22	866	.405
1950	0.57	891	.741			
2000	0.51	909	.756			
2050	0.45	927	.772			
2100	0.38	946	.788			
2150	0.31	966	.806			
③ 2200	0.24	987	.825			

① FACTORY SETTING AT HIGH SPEED
② WET COIL, NO FILTER.
③ WATER BLOW-OFF LIMIT

From Dwg. 21A730904 Rev. 0

INDOOR FAN PERFORMANCE
HI-STATIC MOTOR ACCESSORY
BAYHSMT043A (230V/460V)
BAYHSMT056A (208V)
YCC036F-L

AIRFLOW CFM ②	PRESS IN.W.G.	PWR WATTS	BHP
	900	1.82	724
950	1.73	744	.59
1000	1.64	764	.60
1050	1.54	785	.62
1100	1.43	805	.64
1150	1.33	826	.65
1200	1.21	847	.67
1250	1.09	869	.69
1300	.97	891	.70
① 1350	.83	913	.72
1400	.68	937	.74
1450	.51	961	.76
1500	.32	986	.78

① WATER BLOW-OFF LIMIT
② WET COIL, NO FILTER

From Dwg. 21A730912

INDOOR FAN PERFORMANCE
HI-STATIC MOTOR ACCESSORY
BAYHSMT043A (230V/460V)
BAYHSMT056A (208V)
YCC030F-M, YCC036F-M,H, YCC042F-M

AIRFLOW CFM ②	PRESS IN.W.G.	PWR WATTS	BHP
1000	1.69	815	.64
1050	1.6	836	.66
1100	1.5	857	.68
1150	1.4	878	.70
1200	1.3	901	.71
1250	1.18	924	.73
1300	1.07	947	.75
1350	.93	971	.77
1400	.77	1000	.79
1450	.57	1034	.82
① 1500	.26	1083	.86

① WATER BLOW-OFF LIMIT
② WET COIL, NO FILTER

From Dwg. 21A730915

INDOOR BLOWER PERFORMANCE
HI-STATIC MOTOR ACCESSORY
BAYHSMT044A (230V/460V)
BAYHSMT045A (208V)
YCC048F-M

AIRFLOW CFM ①	PRESS IN.W.G.	PWR WATTS	BHP
1300	1.9	1150	1.10
1350	1.8	1180	1.15
1400	1.7	1230	1.20
1450	1.6	1280	1.25
1500	1.5	1320	1.29
1550	1.4	1360	1.33
1600	1.3	1400	1.37
1650	1.2	1435	1.40
1700	1.1	1470	1.44
1750	1.0	1505	1.47
② 1800	.86	1530	1.49

① WET COIL, NO FILTER
② WATER BLOW-OFF LIMIT

From Dwg. 21A662530

INDOOR BLOWER PERFORMANCE
HI-STATIC MOTOR ACCESSORY
BAYHSMT044A (230V/460V)
BAYHSMT045A (208V)
YCC048F-H, YCC060F-M

AIRFLOW CFM ②	PRESS IN.W.G.	PWR WATTS	BHP
1600	1.89	1620	1.21
1650	1.80	1630	1.22
1700	1.70	1640	1.23
1750	1.61	1650	1.24
1800	1.51	1660	1.25
1850	1.39	1675	1.26
1900	1.29	1685	1.26
1950	1.18	1695	1.27
2000	1.05	1710	1.28
2050	.93	1725	1.29
2100	.80	1735	1.30
2150	.65	1750	1.31
① 2200	.51	1765	1.32

① WATER BLOW-OFF LIMIT
② WET COIL, NO FILTER

From Dwg. 21A730923 Rev. 0

Performance Data Pressure Drop

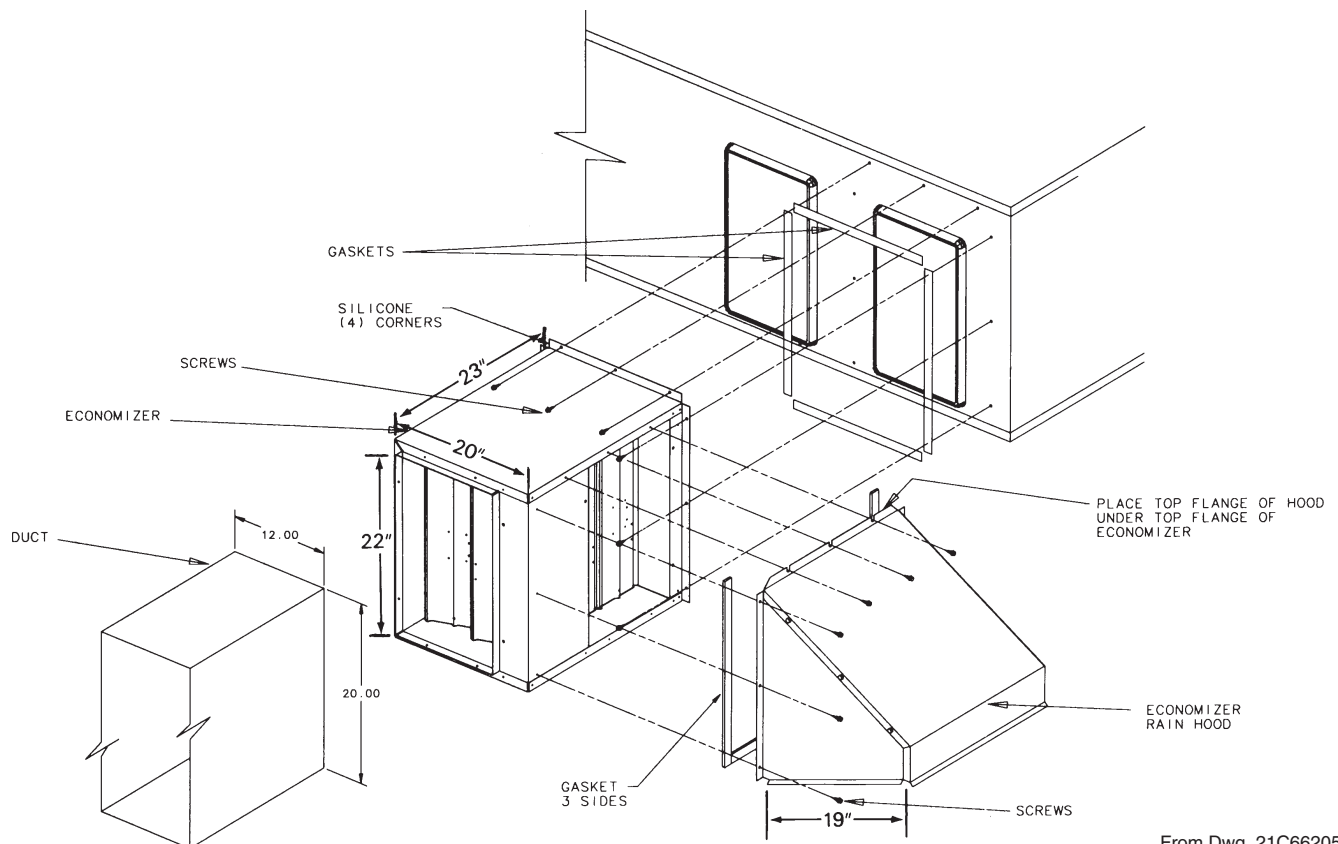
Economizer Pressure Drop — (Return Air Restriction 0% Outdoor Air)

AIRFLOW (CFM)	BAYECON054B (in. H ₂ O)	BAYECON055B in. (H ₂ O)	BAYECON073A (in. H ₂ O)
600	.010		.010
800	.020		.015
1000	.050		.020
1200	.090	.040	.025
1400	.140	.050	.030
1600		.075	.035
1800		.100	.045
2000		.130	.055
2200		.150	.075
2400		.190	.100

From Dwg. 21A730983 Rev. 1

Optional Equipment

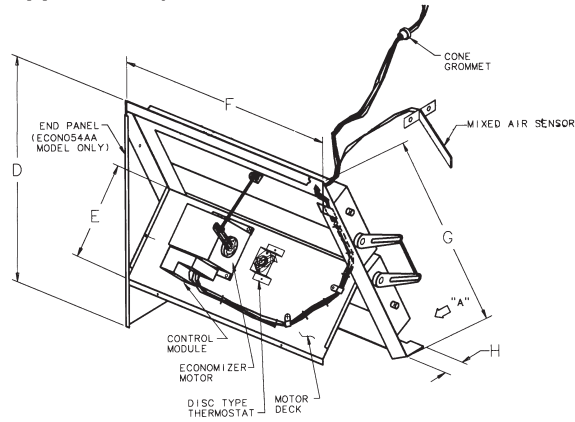
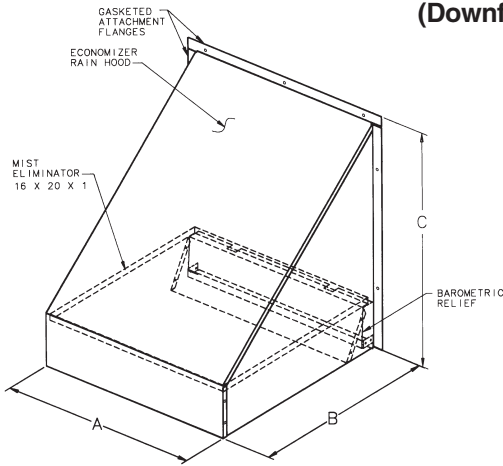
Horizontal Economizer and Rain Hood



From Dwg. 21C662056

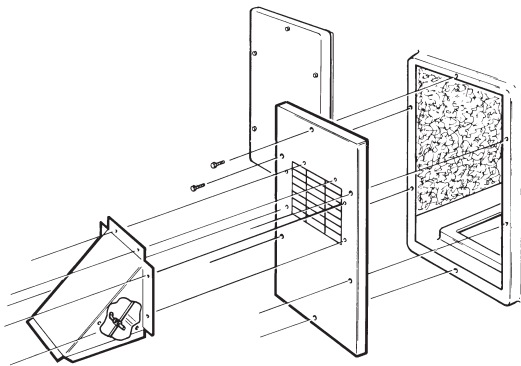
Optional Equipment

Economizer and Rain Hood (Downflow Applications)

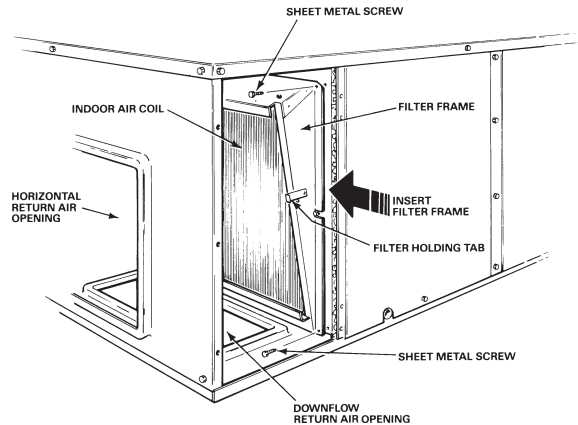


ECONOMIZER MODEL	APPLICATION MODELS	A	B	C	D	E	F	G	H
BAYECON054B	YCC018-048F-M	20	16-5/8	23-1/2	22-9/16	8-5/8	22-1/4	25-1/8	1-1/2
BAYECON055B	YCC048F-H/060F	20	21	26	OMIT	12-1/8	26-1/8	32-1/8	1-3/4

25% Fresh Air Kit



Filter Frame



Controls

Field Installed Control Options

Thermostats

Two stages heating/cooling or one stage heating/cooling thermostats are available in either manual or automatic changeover.

Programmable Electronic Night Setback Thermostat

Heating setback and cooling setup with 7-day, 5-1-1 programming capability. Available in 2 heating/cooling or 1 heating/cooling versions with automatic changeover.

Economizer Controls

The standard equipment offering is a fixed dry bulb changeover control. In addition to the standard offering, there are two other field installed control accessories.

Enthalpy Control

Replaces the dry bulb control with a solid state dry bulb and wet bulb changeover controller which has a fully adjustable set point. Enthalpy control offers a higher level

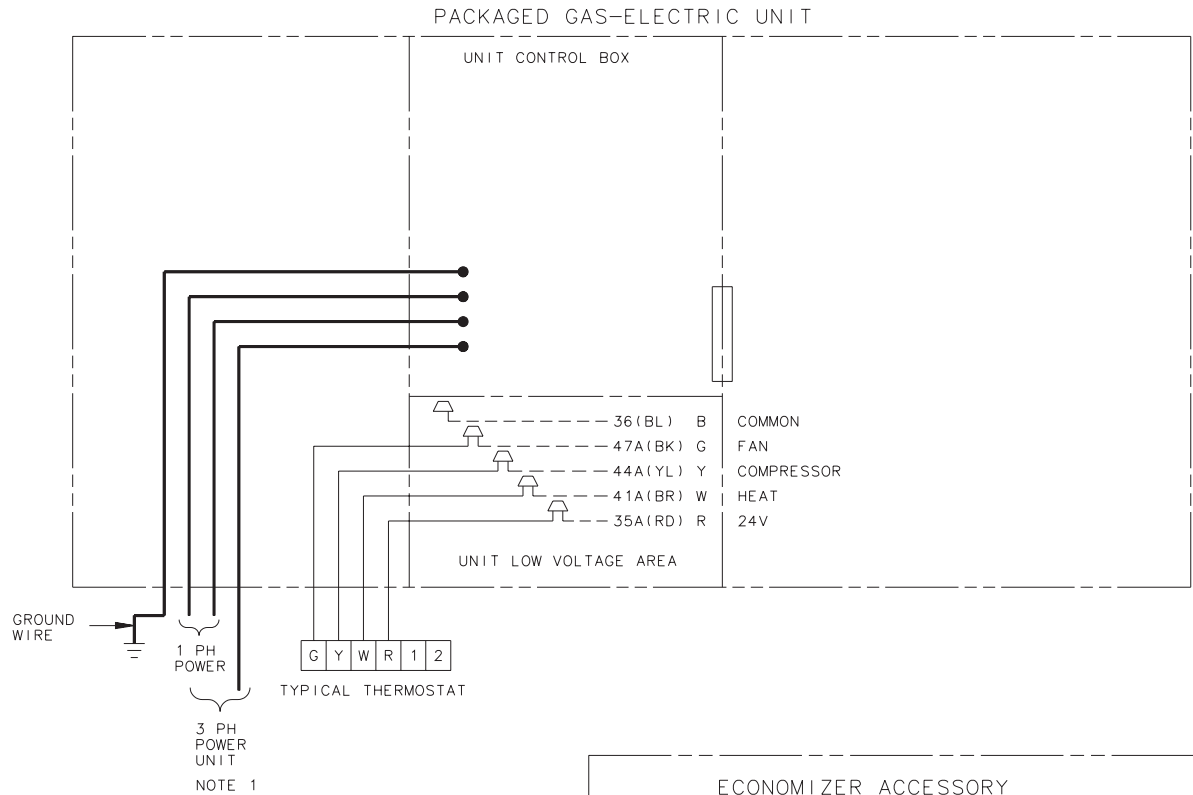
of energy savings potential than the standard dry bulb control due to the additional wet bulb sensing capability.

Differential Enthalpy

Replaces the standard dry bulb control with two enthalpy sensors that compare total heat content of the indoor air and outdoor air to determine the most efficient entering air source. This control option offers the highest level of energy efficiency available.

Typical Wiring

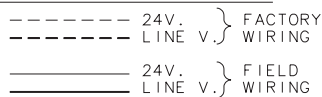
YCC Field Wiring Diagram



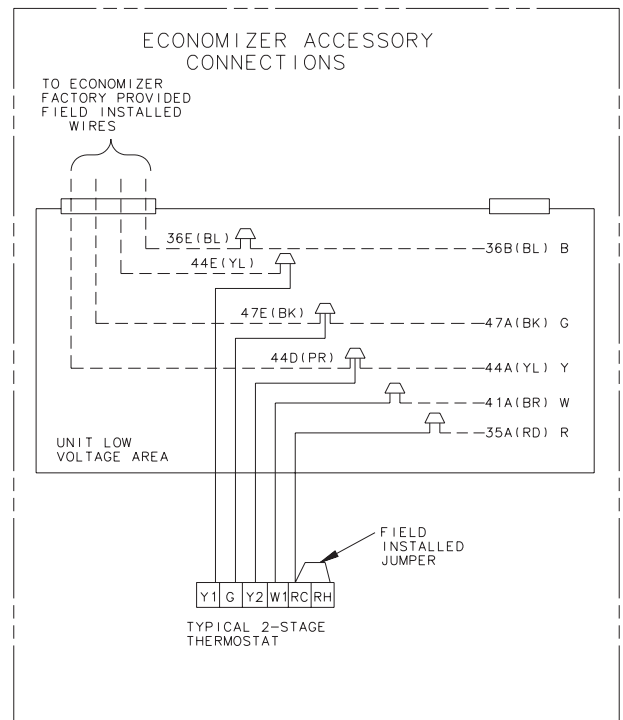
NOTES:

1. FUSED DISCONNECT SIZE, POWER WIRING AND GROUNDING OF EQUIPMENT MUST COMPLY WITH CODES.
2. BE SURE POWER SUPPLY AGREES WITH EQUIPMENT AND HEATER NAMEPLATE.
3. LOW VOLTAGE WIRING TO BE 18 AWG MINIMUM CONDUCTOR.
4. SEE UNIT DIAGRAM FOR ELECTRICAL CONNECTION DETAILS.
5. THE THERMOSTAT ON THE YCC UNIT MUST PROVIDE A "G" SIGNAL IN THE COOLING MODE ONLY. DURING THE HEATING MODE THE FAN WILL BE ENERGIZED BY THE SYSTEM.

INTER-COMPONENT WIRING



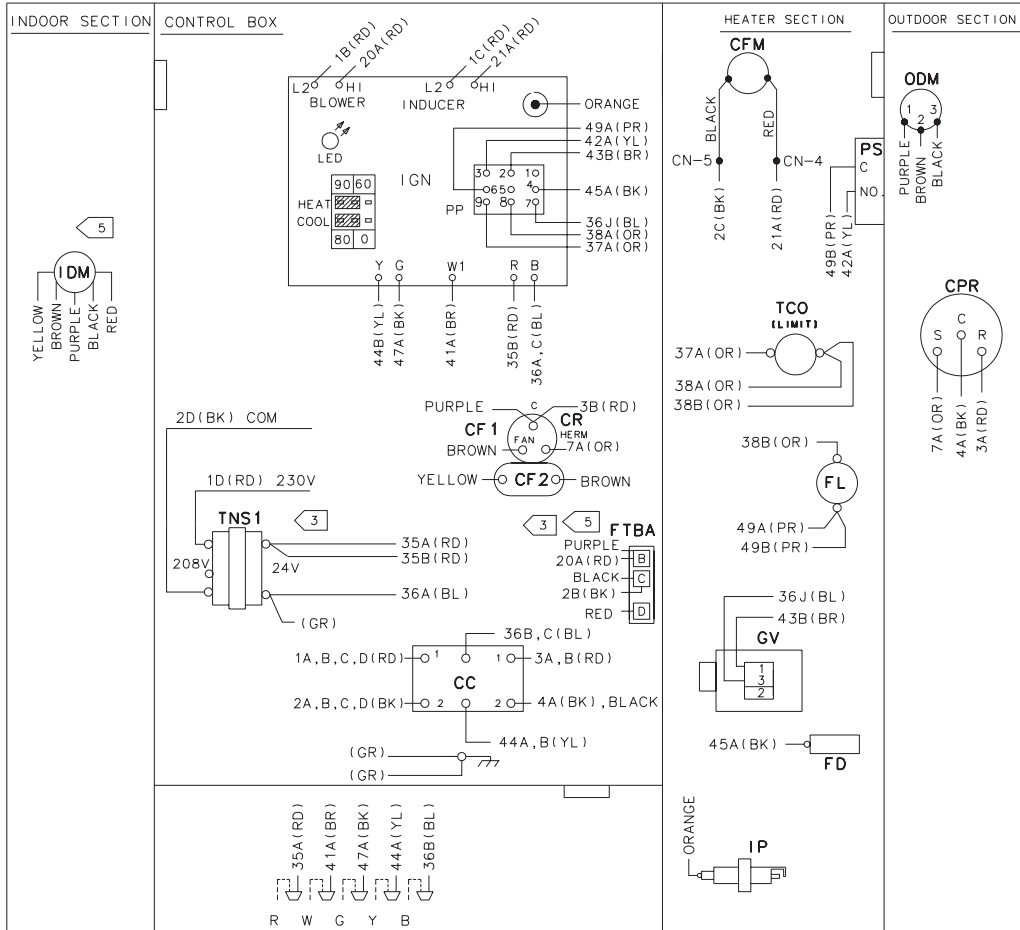
WIRE COLOR DESIGNATION			
ABBR	COLOR	ABBR	COLOR
BK	BLACK	PR	PURPLE
BL	BLUE	RD	RED
BR	BROWN	WH	WHITE
GR	GREEN	YL	YELLOW
OR	ORANGE		



From Dwg. 21D756979 Rev. 0

Typical Wiring

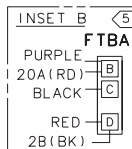
Wiring Diagram for YCC



NOTES:

1. CONNECTIONS SHOWN ARE FOR A TYPICAL THERMOSTAT. SEE SCHEMATIC SUPPLIED WITH THERMOSTAT FOR PROPER CONNECTIONS. LOW VOLTAGE WIRING TO UNIT MAY BE NEC CLASS 2 AND MUST BE A MIN. OF 18 A.W.G. SET THERMOSTAT HEAT ANTICIPATOR TO .3 AMPS. MAXIMUM ADDITIONAL EXTERNAL LOAD (PILOT DUTY) BETWEEN "B" AND "R" OF 0.5 AMPS, 24 VAC IS AVAILABLE IN THE COOLING MODE ONLY.
3. FOR 208 VOLT OPERATION MAKE THE FOLLOWING WIRING CHANGES:
 A: AT TNS1 REMOVE 1D(RD) WIRE AND CONNECT TO 208V TERMINAL ON THE TRANSFORMER.
 B: AT IDM MOVE 20A(RD) LEAD FROM FTBA-B TO YELLOW LEAD AT CF2.
4. IF ANY OF THE ORIGINAL WIRE AS SUPPLIED IN THIS UNIT MUST BE REPLACED, REPLACE IT WITH APPLIANCE WIRING MATERIAL RATED AT 105° C.
5. INDOOR BLOWER MOTOR CONNECTIONS SHOWN ARE FOR THE YC*024F1, -030F1L, -036F1, -042F1 AND -060F1 UNITS. FOR INDOOR BLOWER MOTOR CONNECTIONS FOR THE YC*018F1, -030F1M, AND -048F1H UNIT SEE INSETS A AND B.
6. FOR YCC060F1 SEE INSET "C".

ABBR	COLOR	ABBR	COLOR
BK	BLACK	PR	PURPLE
BL	BLUE	RD	RED
BR	BROWN	WH	WHITE
GR	GREEN	YL	YELLOW
OR	ORANGE		



DEVICE	DESCRIPTION	LINE
CC	COMPRESSOR CONTACTOR COIL	49
CF1	OUTDOOR FAN CAPACITOR	20
CF2	INDOOR MOTOR CAPACITOR	23
CN	CONNECTOR OR WIRE NUT	
CFM	COMBUSTION FAN MOTOR	27
CPR	COMPRESSOR	15
CR	COMPRESSOR RUN CAPACITOR	15
CS	COMPRESSOR START CAPACITOR	11
CSR	COMPRESSOR START RELAY COIL	11
FD	FLAME DETECTOR	44
FL	FUSEABLE LINK	40
GV	GAS VALVE	35
IDM	INDOOR FAN MOTOR	24
IGN	IGNITION CONTROL MODULE	22, 40
IOL	INTERNAL OVERLOAD	
IP	IGNITOR PROBE	45
LED	IGN DIAGNOSTICS INDICATOR	40
ODM	OUTDOOR FAN MOTOR	20
PP	POLARIZED PLUG	36-44
PS	PRESSURE SWITCH	42
TCO	TEMPERATURE LIMIT SWITCH	38
TNS1	CONTROL POWER TRANSFORMER	32

MODELS		
YCC018F1	YCC036F1	
YCC024F1	YCC042F1	YCC060F1
YCC030F1	YCC048F1	

D757239P10

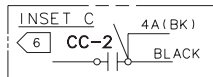
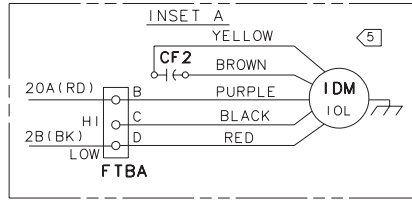
(continued on next page)

Typical Wiring

Wiring Diagram for YCC

CAUTION—NOT SUITABLE FOR USE ON SYSTEMS EXCEEDING 150 VOLTS TO GROUND.
ATTENTION: NE CONVIENT PAS POUR LES INSTALLATIONS DE PLUS DE 150V. A TERRE.

UNIT FACTORY WIRED FOR 230V
SEE WIRING DIAGRAM NOTES FOR REQUIRED WIRING CHANGES WHEN INSTALLED ON A 208V POWER SUPPLY.



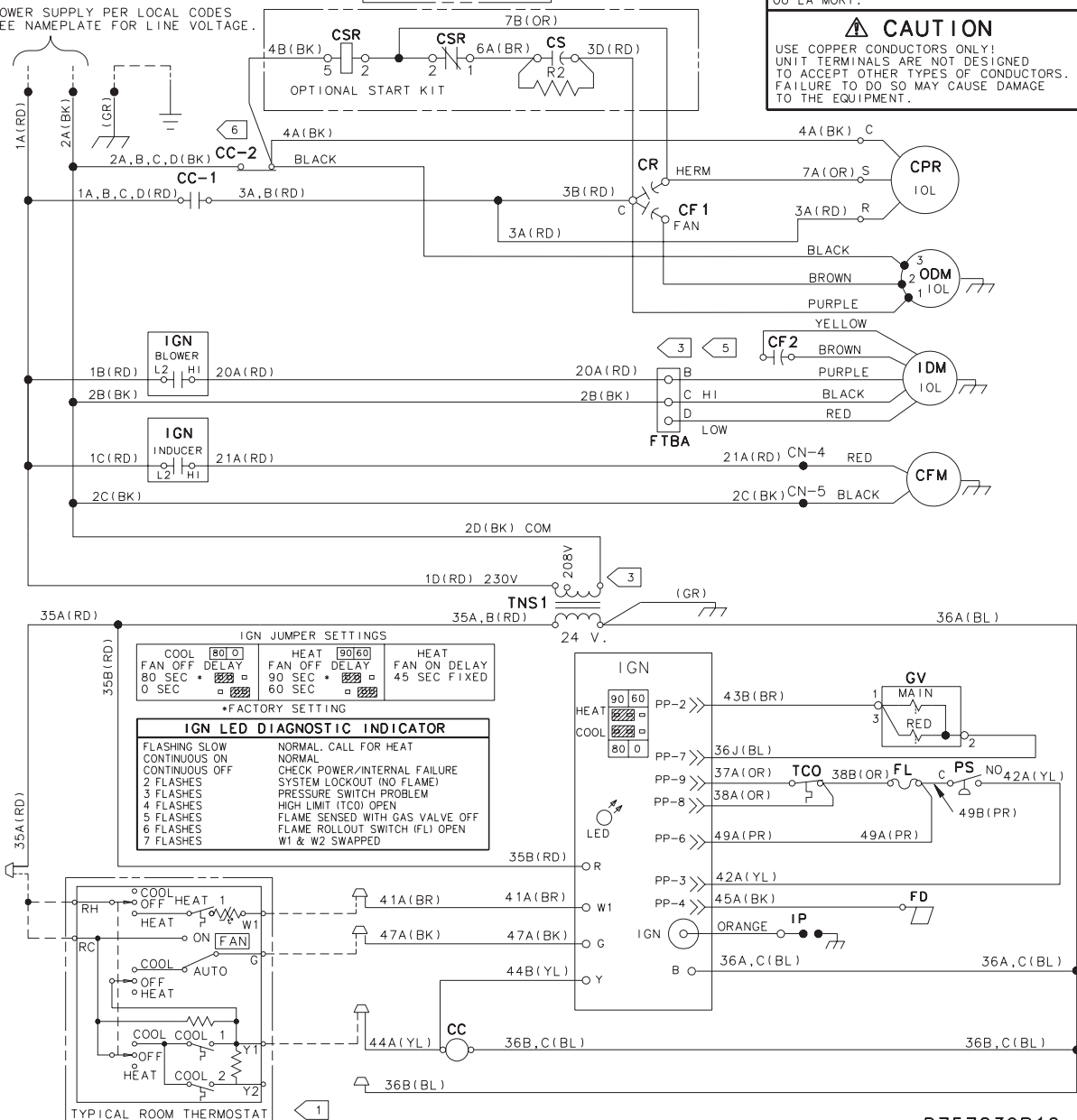
WARNING
HAZARDOUS VOLTAGE!
DISCONNECT ALL ELECTRIC POWER INCLUDING REMOTE DISCONNECTS BEFORE SERVICING.
FAILURE TO DISCONNECT POWER SUPPLY BEFORE SERVICING CAN CAUSE SEVERE PERSONAL INJURY OR DEATH.

AVERTISSEMENT
VOLTAGE HASARDEUX!
DECONNECTEZ TOUTES LES SOURCES ELECTRIQUES INCLUANT LES DISJONCTEURS SITUES A DISTANCE AVANT D'EFFECTUER L'ENTRETIEN. FAUTE DE DECONNECTER LA SOURCE ELECTRIQUE AVANT D'EFFECTUER L'ENTRETIEN PEUT ENTRAINER DES BLESSURES CORPORELLES SEVERES OU LA MORT.

CAUTION
USE COPPER CONDUCTORS ONLY!
UNIT TERMINALS ARE NOT DESIGNED TO ACCEPT OTHER TYPES OF CONDUCTORS. FAILURE TO DO SO MAY CAUSE DAMAGE TO THE EQUIPMENT.

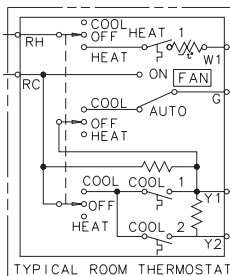
- 1
- 2
- 3
- 4
- 5
- 6
- 7
- 8
- 9
- 10
- 11
- 12
- 13
- 14
- 15
- 16
- 17
- 18
- 19
- 20
- 21
- 22
- 23
- 24
- 25
- 26
- 27
- 28
- 29
- 30
- 31
- 32
- 33
- 34
- 35
- 36
- 37
- 38
- 39
- 40
- 41
- 42
- 43
- 44
- 45
- 46
- 47
- 48
- 49
- 50
- 51

POWER SUPPLY PER LOCAL CODES. SEE NAMEPLATE FOR LINE VOLTAGE.



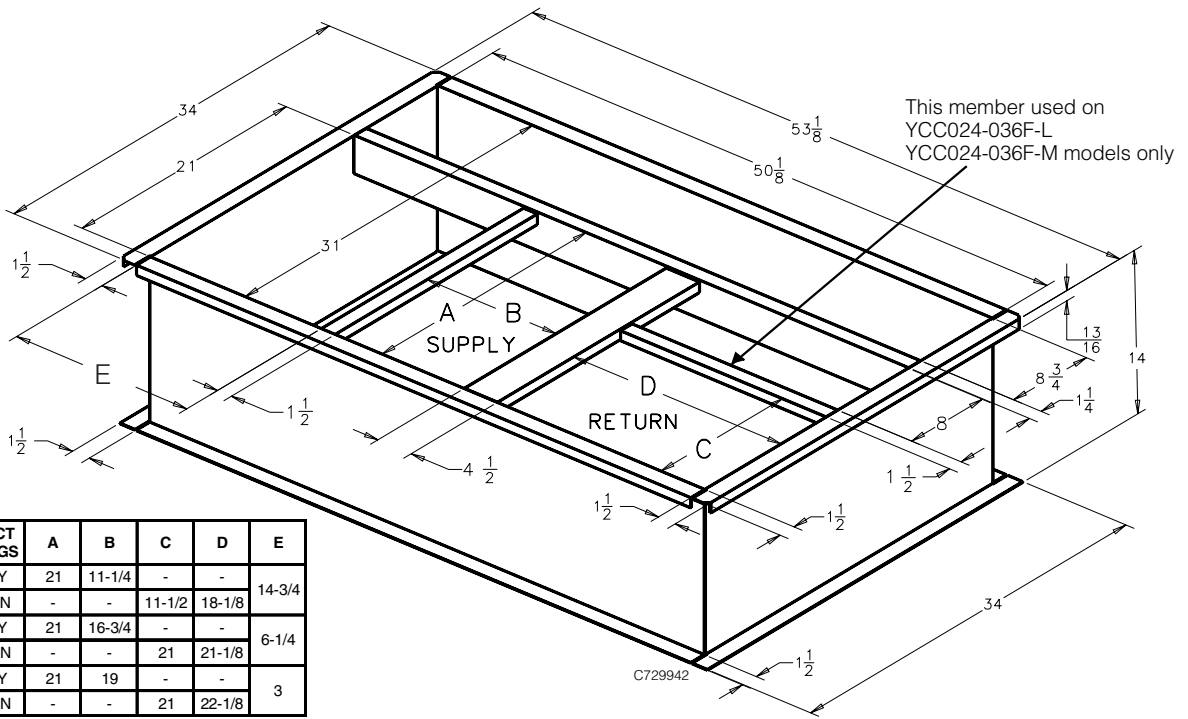
IGN JUMPER SETTINGS		
COOL	HEAT	HEAT
FAN OFF DELAY	FAN OFF DELAY	FAN ON DELAY
80 SEC	90 SEC	45 SEC FIXED
0 SEC	60 SEC	

IGN LED DIAGNOSTIC INDICATOR	
FLASHING SLOW	NORMAL. CALL FOR HEAT
CONTINUOUS ON	NORMAL
2 FLASHES	CHECK POWER/INTERNAL FAILURE
3 FLASHES	SYSTEM LOCKOUT (NO FLAME)
4 FLASHES	PRESSURE SWITCH PROBLEM
5 FLASHES	HIGH LIMIT (TCO) OPEN
6 FLASHES	FLAME SENSED WITH GAS VALVE OFF
7 FLASHES	FLAME ROLLOUT SWITCH (FL) OPEN
	W1 & W2 SWAPPED



Dimensions

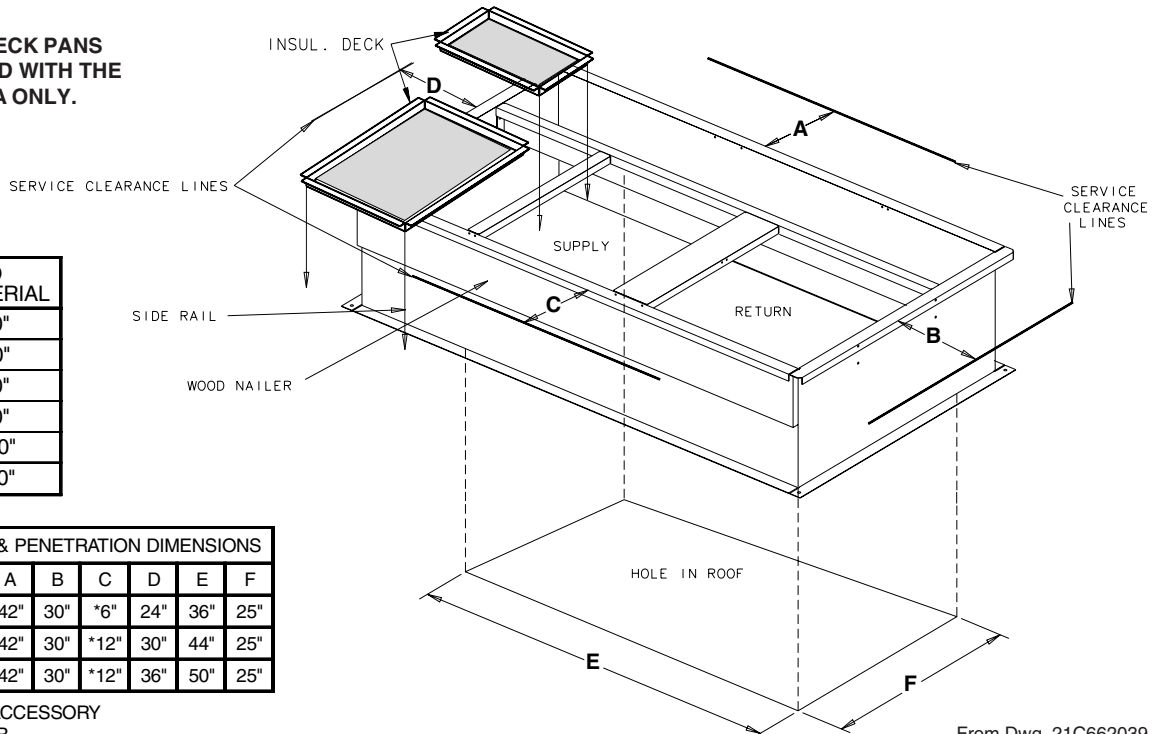
BAYCURB030A,038A Roof Mounting Curb Outline YCC024-060 — Units



MODEL NO.	AIR DUCT OPENINGS	A	B	C	D	E
YCC024-36F-L	SUPPLY	21	11-1/4	-	-	14-3/4
YCC024-36F-M	RETURN	-	-	11-1/2	18-1/8	
YCC036F-H	SUPPLY	21	16-3/4	-	-	6-1/4
YCC042-48F-M	RETURN	-	-	21	21-1/8	
YCC048F-H	SUPPLY	21	19	-	-	3
YCC060F-M	RETURN	-	-	21	22-1/8	

Required Clearance for Unit Installation and Roof Penetration Hole Size Required

INSULATED DECK PANS ARE INCLUDED WITH THE BAYCURB038A ONLY.



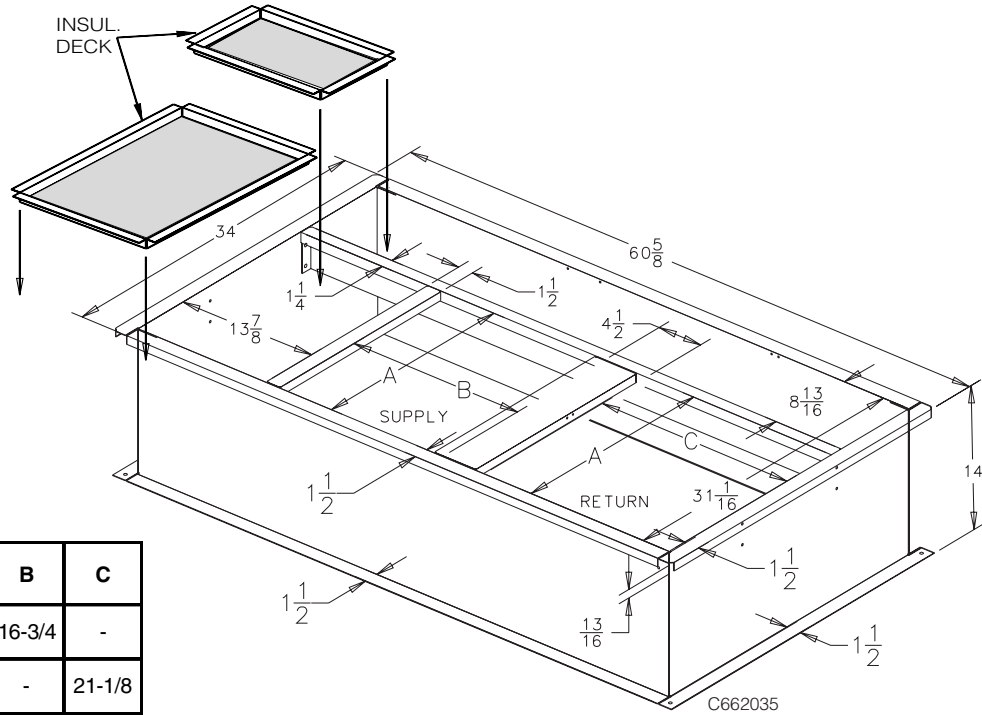
CLEARANCE TO COMBUSTIBLE MATERIAL	
BOTTOM	0.0"
BACK	1.0"
LEFT SIDE	6.0"
RIGHT SIDE	6.0"
FRONT SIDE	12.0"
TOP	36.0"

SERVICE CLEARANCE & PENETRATION DIMENSIONS						
MODEL NO.	A	B	C	D	E	F
YCC018-36F-L,F-M	42"	30"	*6"	24"	36"	25"
YCC036F-H,042-48F-M	42"	30"	*12"	30"	44"	25"
YCC048F-H,-60F	42"	30"	*12"	36"	50"	25"

* 18" WITH FRESH AIR ACCESSORY
* 30" WITH ECONOMIZER

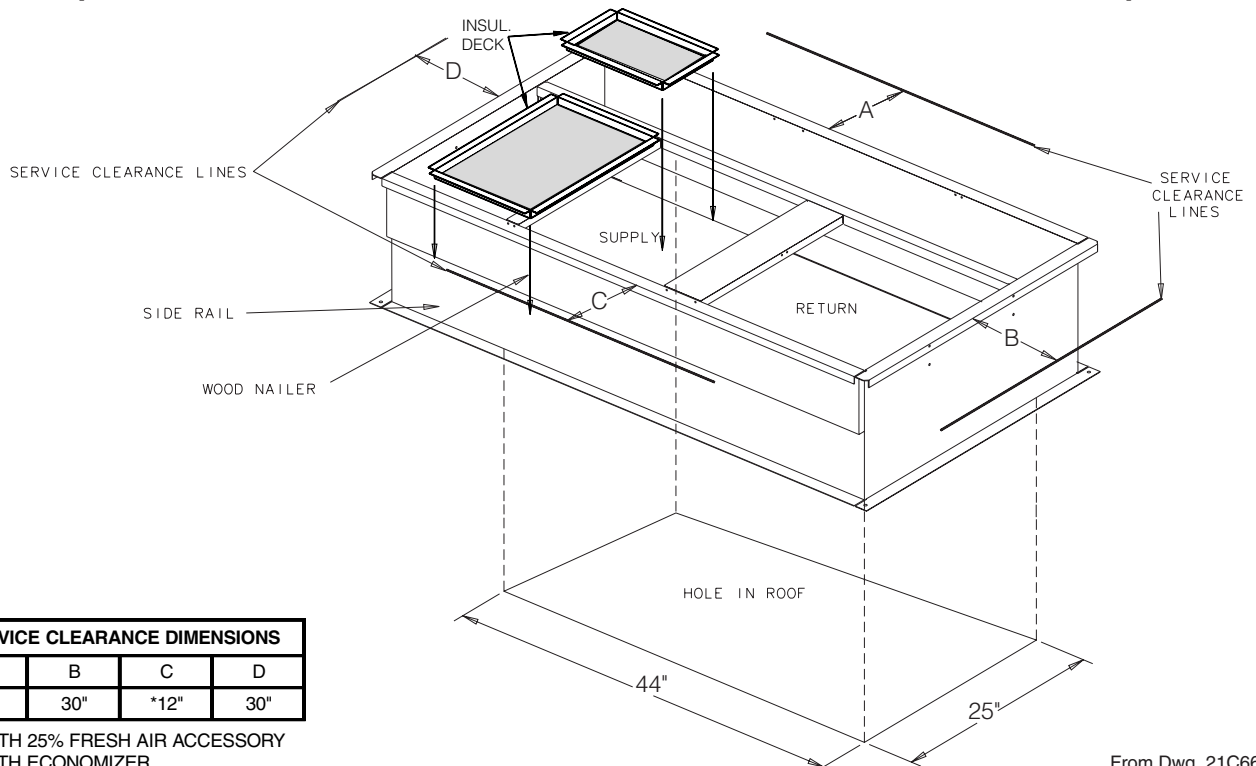
Dimensions

BAYCURB033A Roof Mounting Curb Outline YCC036F-H/042/048F-M — Units



AIR DUCT OPENINGS	A	B	C
SUPPLY DUCT	21	16-3/4	-
RETURN DUCT	21	-	21-1/8

Required Clearance for Unit Installation and Roof Penetration Hole Size Required



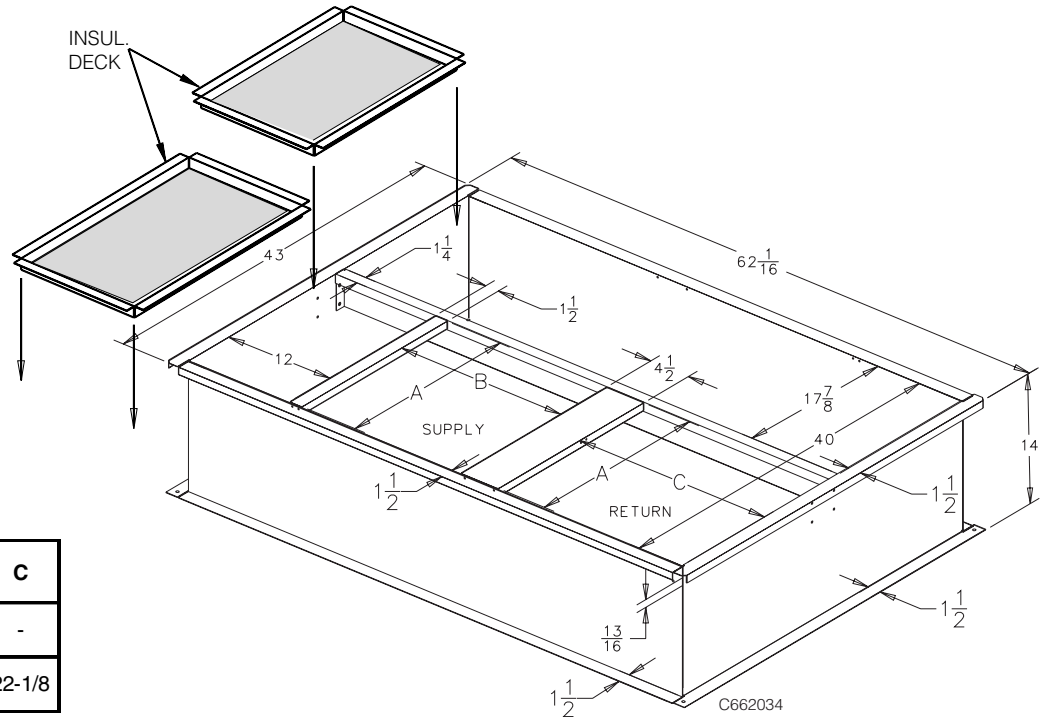
SERVICE CLEARANCE DIMENSIONS			
A	B	C	D
30"	30"	*12"	30"

*18" WITH 25% FRESH AIR ACCESSORY
30" WITH ECONOMIZER

From Dwg. 21C662039

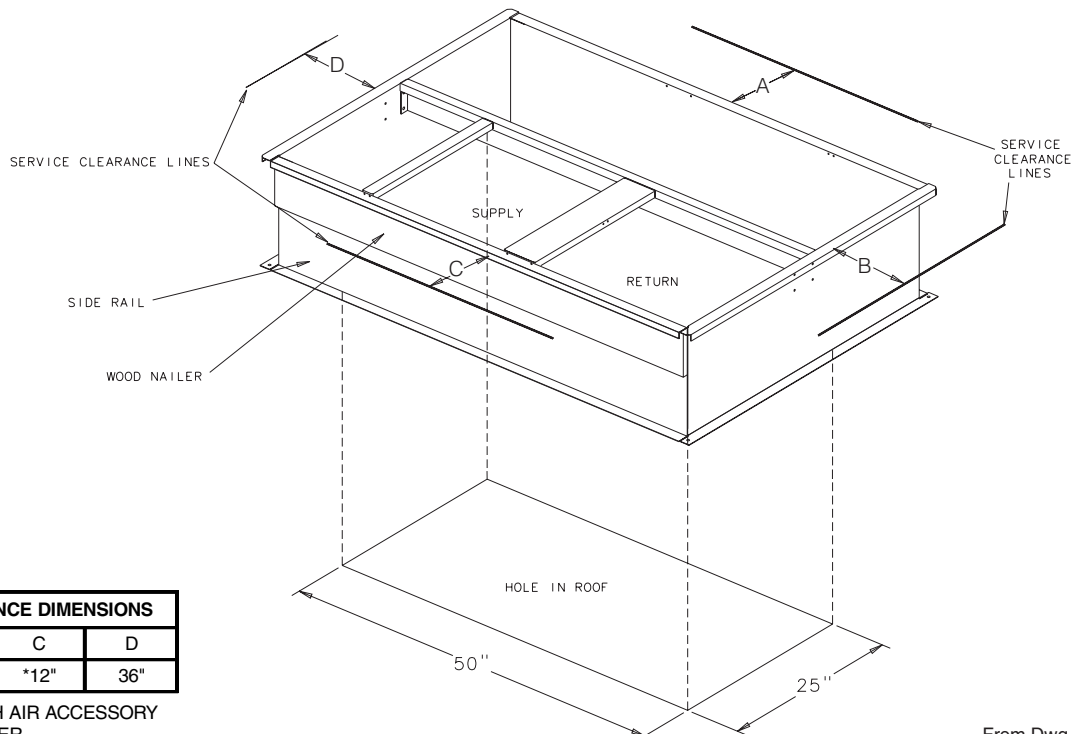
Dimensions

BAYCURB034A Roof Mounting Curb Outline YCC048F-H/060F — Units



AIR DUCT OPENINGS	A	B	C
SUPPLY DUCT	21	19	-
RETURN DUCT	21	-	22-1/8

Required Clearance for Unit Installation and Roof Penetration Hole Size Required



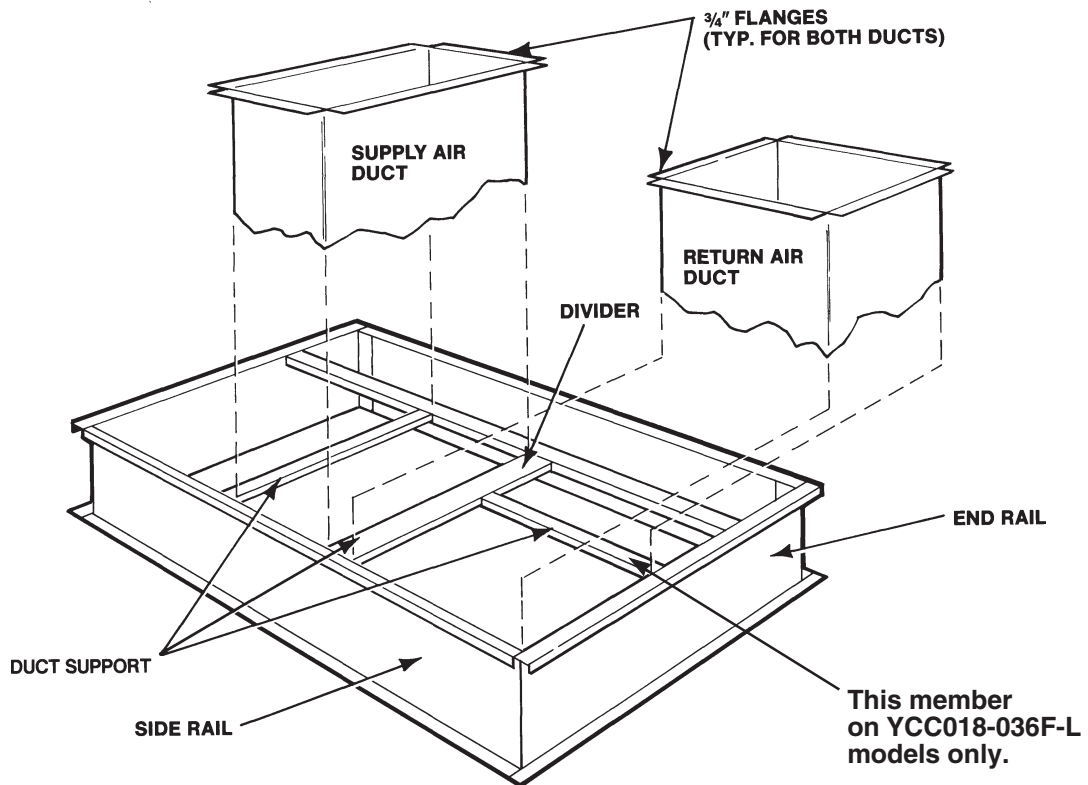
SERVICE CLEARANCE DIMENSIONS			
A	B	C	D
42"	30"	*12"	36"

*18" WITH 25% FRESH AIR ACCESSORY
30" WITH ECONOMIZER

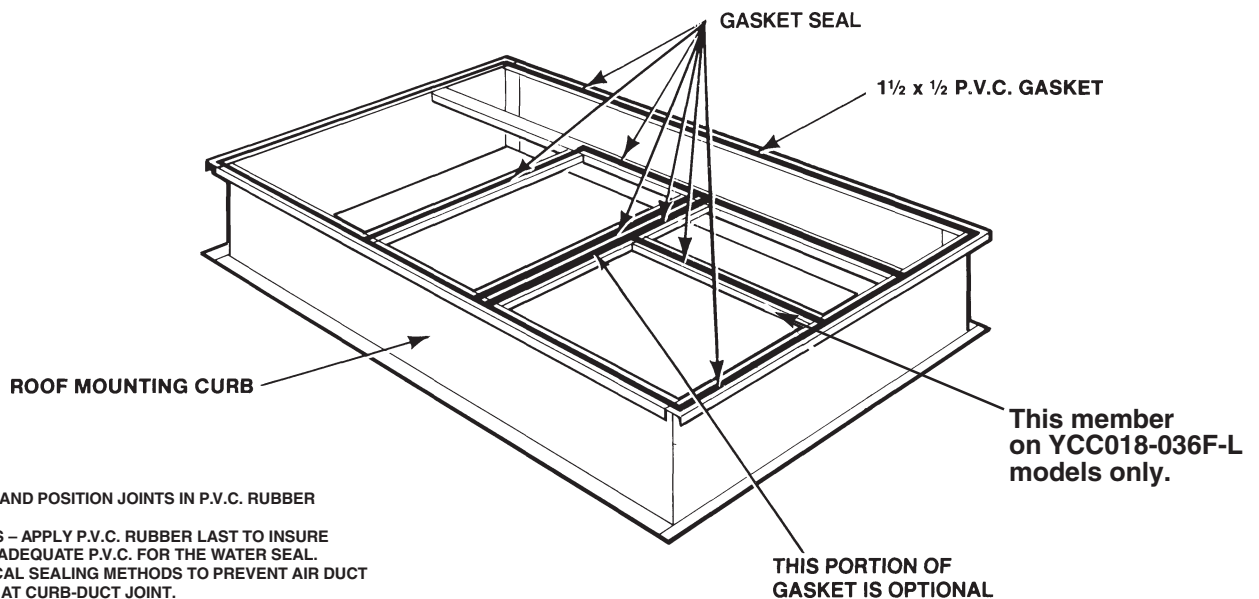
From Dwg. 21C662038

Dimensions

Field Fabricated (Side X Side) Ducts — YCC018-060F Units Installed from Above Mounting Curb



P.V.C. Rubber Gasket Position on BAYCURB030AA for Unit Placement — YCC018-060F Units



NOTES:

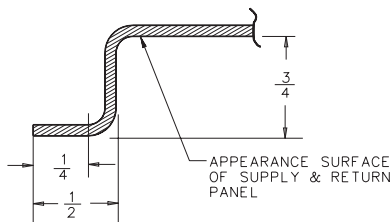
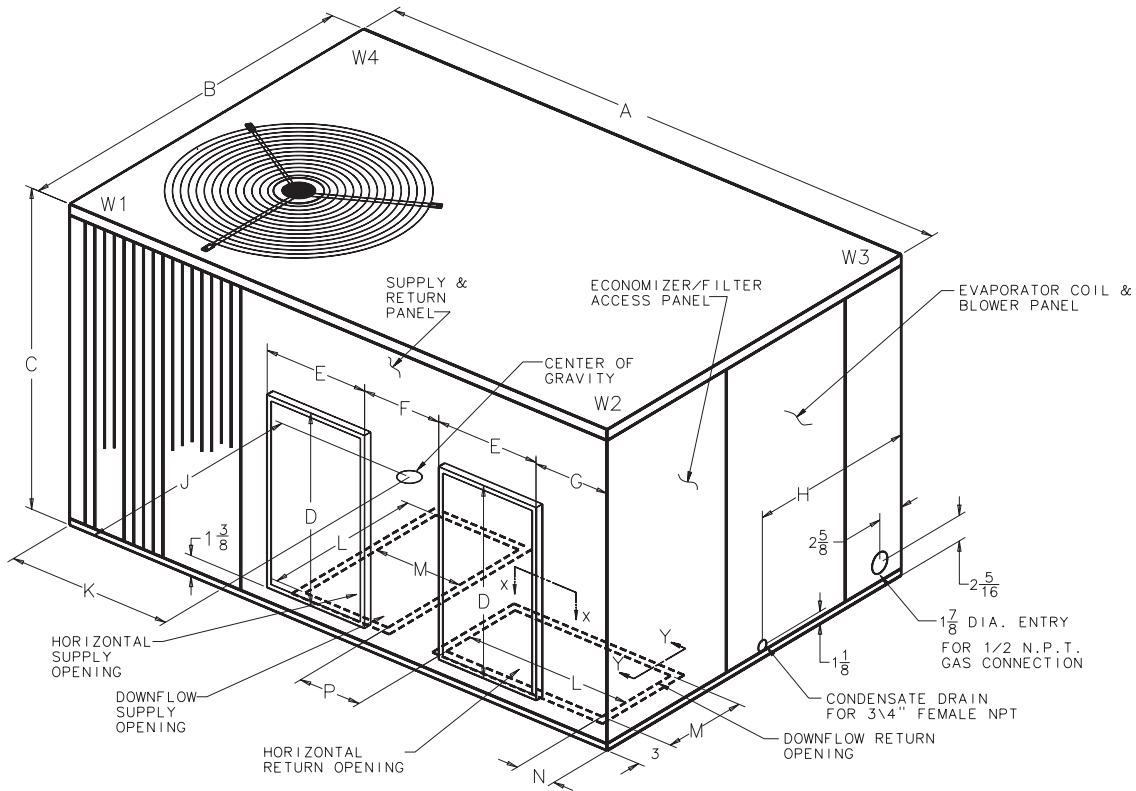
1. OVERLAP AND POSITION JOINTS IN P.V.C. RUBBER GASKET.
2. AIR SEALS – APPLY P.V.C. RUBBER LAST TO INSURE THERE IS ADEQUATE P.V.C. FOR THE WATER SEAL.
3. USE TYPICAL SEALING METHODS TO PREVENT AIR DUCT LEAKAGE AT CURB-DUCT JOINT.



Dimensions

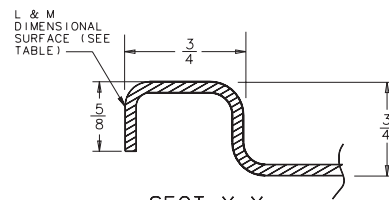
YCC018-060 Outline — Rear

NOTE: ALL DRAWING DIMENSIONS ARE IN INCHES



SECT. X-X

TYPICAL CROSS SECTION OF SUPPLY & RETURN PERIMETER FLANGES



SECT Y-Y

TYPICAL CROSS SECTION OF DOWNFLOW SUPPLY & RETURN PERIMETER FLANGES

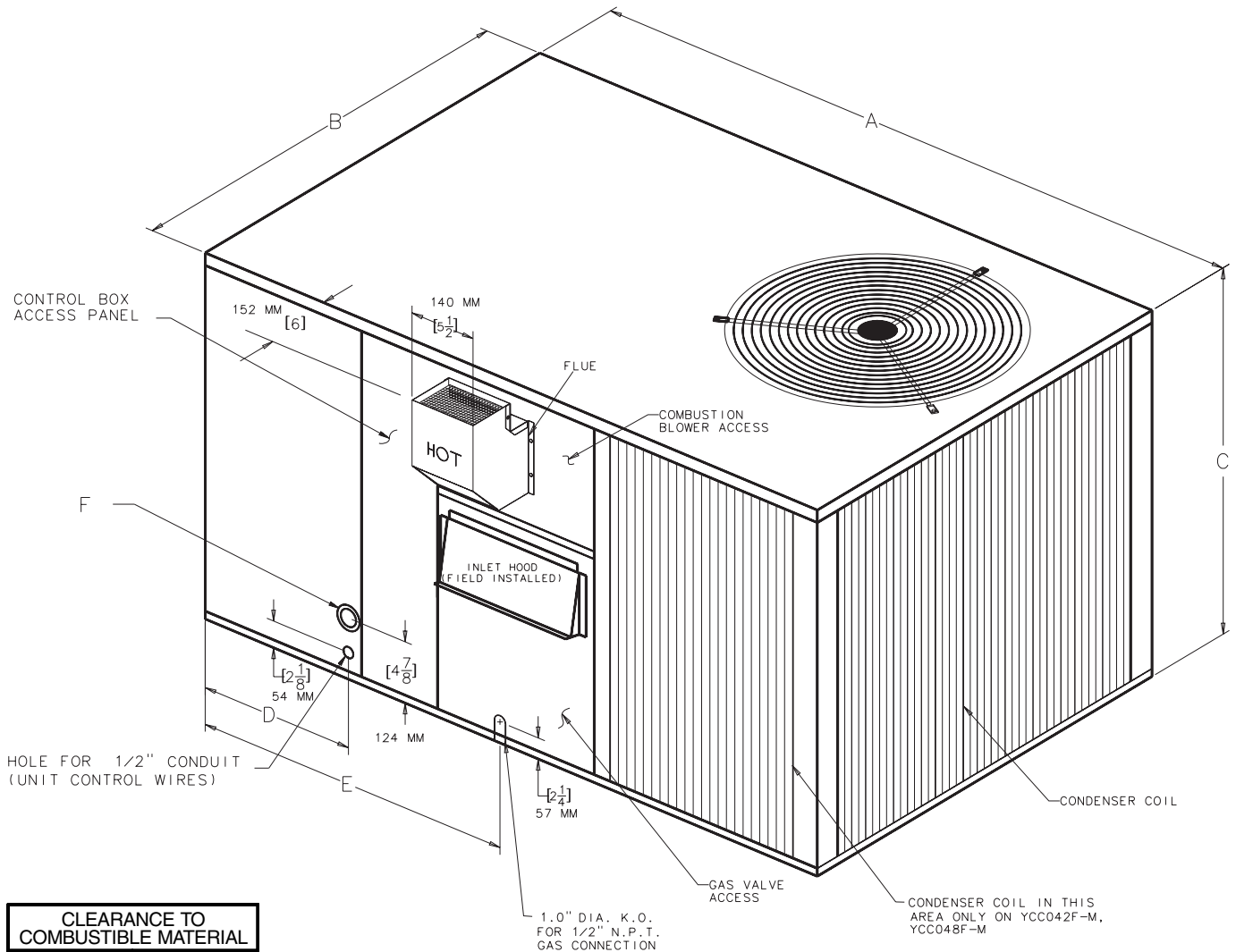
From Dwg. 21D661690

MODEL	CORNER WEIGHT (LBS)				UNIT WEIGHT	A	B	C	D	E	F	G	H	J	K	L	M	N	P	
	W1	W2	W3	W4																
YCC018F-L	68.3	61.7	84	92.9	307															
YCC024F-L	69.4	60.0	85	99.5	314	55-1/4	36	25-3/16	18-9/16	11-1/16	6-9/16	6-13/16	17	21-5/16	25	17-1/2	10	3	4-7/16	
YCC030F-L	70.5	61.4	87	99.8	319															
YCC030F-M	84.06	68.08	92.1	113.7	358									20-3/4	25-13/16					
YCC036F-L	78.3	68.3	95.6	109.7	352	55-1/4	36	29-3/16	18-9/16	11-1/16	6-9/16	6-13/16	17	19-3/4	24-13/16	17-1/2	10	3	4-7/16	
YCC036F-M	86	67.6	93.2	115.13	364															
YCC036F-H	90.3	73.8	101	123.7	399															
YCC042F-M	103.8	88.7	98.6	122.6	412	62-3/4	36	29-3/16	18-9/16	11-1/16	6-9/16	11-1/8	17	19-3/4	28-1/4	17-1/2	10	3	8-3/4	
YCC048F-M	104.6	84.6	102.2	126.4	418															
YCC048F-H	123.8	104.6	132.5	157	518															
YCC060F-M	135.4	109.8	137.3	169.3	552	65-5/16	45	33-3/8	21-1/16	15-1/16	4-15/16	9-1/8	21-15/16	25	29-7/32	20	14	3-1/2	8-5/16	

Dimensions

YCC018-060 Outline — Front

NOTE: ALL DRAWING DIMENSIONS ARE IN MM (INCHES)



CLEARANCE TO COMBUSTIBLE MATERIAL	
BOTTOM	0.0"
BACK	1.0"
LEFT SIDE	6.0"
RIGHT SIDE	6.0"
FRONT SIDE	12.0"
TOP	36.0"

RECOMMENDED SERVICE CLEARANCE	
BACK	* 6.0"
LEFT SIDE	30.0"
RIGHT SIDE	24.0"
FRONT SIDE	30.0"

* 18" WITH FRESH AIR ACCESSORY
* 30" WITH ECONOMIZER

From Dwg. 21D661689

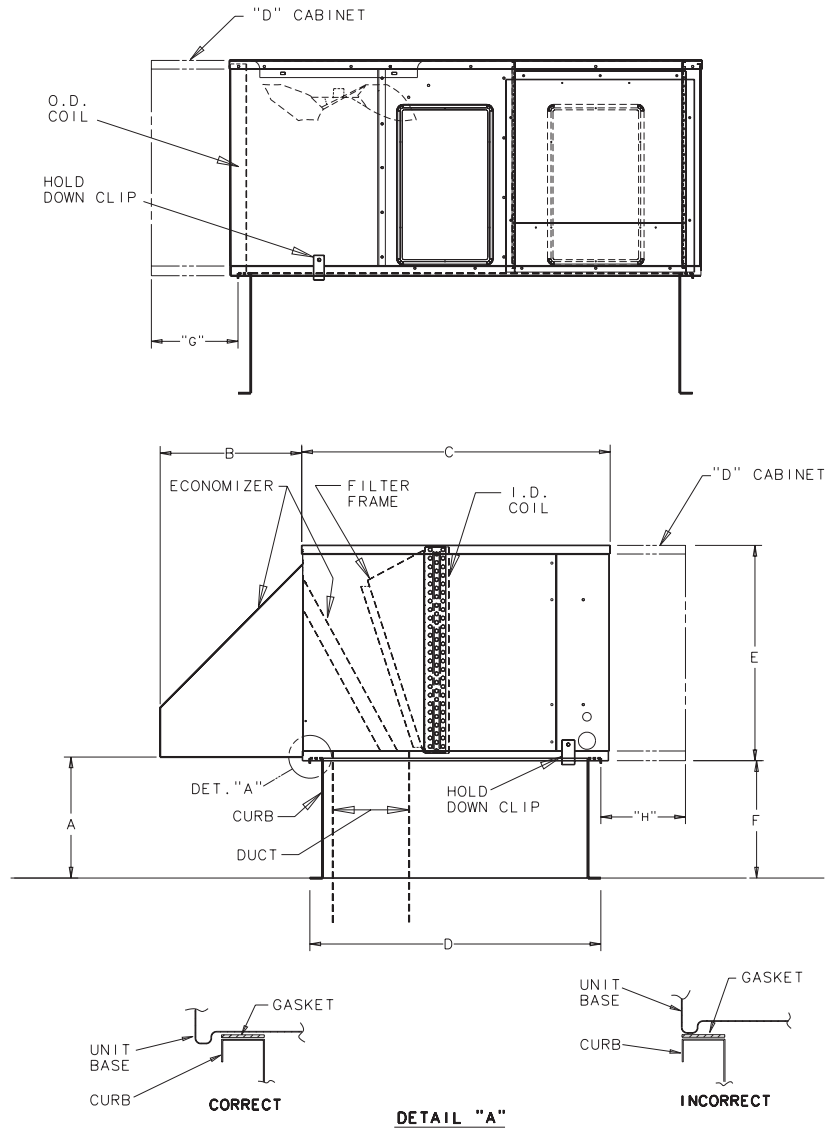
MODEL	A	B	C	D	E	F
YCC018F-L	55-1/4	36	25-3/16	12-15/16	36-3/4	KNOCKOUTS FOR 1/2" AND 1" CONDUIT
YCC024F-L						
YCC030F-L						
YCC030F-M	55-1/4	36	29-3/16	12-15/16	36-3/4	KNOCKOUTS FOR 3/4" AND 1-1/4" CONDUIT
YCC036F-L						
YCC036F-M						
YCC036F-H						
YCC042F-M	62-3/4	36	29-3/16	14-1/2	27-1/2	KNOCKOUTS FOR 3/4" AND 1-1/4" CONDUIT
YCC048F-M						
YCC048F-H	64-5/16	45	33-3/8	14-13/16	27-15/16	KNOCKOUTS FOR 3/4" AND 1-1/2" CONDUIT
YCC060F-M						

NOTE: TABLE IN INCHES ONLY

Dimensions

YCC018-060 Outline — Front with BAYCURB030A Curb

NOTE: ALL DIMENSIONS ARE IN INCHES



CABINET SIZE	MODEL	BAYCURB	"A"	"B"	"C"	"D"	"E"	"F"	"G"	"H"
"A"	YCC018-30F-L	030A	14-1/8	16-5/8	36	34	25-3/16	13-3/4	—	—
"B"	YCC030-36F-M YCC036F-L	030A	14-1/8	16-5/8	36	34	29-3/16	13-3/4	—	—
"C"	YCC036F-H YCC042F-M YCC048F-M	030A	14-1/8	16-5/8	36	34	29-3/16	13-3/4	8-1/8	—
		033A	14-13/16	16-5/8	36	34	29-3/16	13-3/4	—	—
"D"	YCC048F-H YCC060F-M	030A	14-1/8	21	45	34	33-3/8	13-3/4	10-1/8	9-7/8
		034A	14-13/16	21	45	43	33-3/8	13-3/4	—	—

From Dwg. 21D661772

Mechanical Specifications Options

General

All units shall be factory assembled, piped, internally wired and fully charged with R-22. All units shall be designed to operate at outdoor ambient temperatures as high as 115° F. Cooling capacities shall be rated in accordance with A.R.I. standards. The YCC-F heating/cooling unit design is U.L. listed, specifically for outdoor applications using propane or natural gas. All units shall be designed for outdoor rooftop or ground level installation. Exterior surfaces of all units shall be phosphatized, zinc-coated steel with epoxy resin primer and baked enamel finish. Shipped for horizontal application, convertible to downflow.

Casings

All panels shall be 20-gauge steel, gasketed and insulated. Foil-faced glass fiber insulation shall be in the heat exchanger section. Foil-faced insulation shall be in the evaporator section. Base pan and mounting rails shall be 18 gauge. **WEATHERGUARD™** exterior corrosion resistant screws shall be used for added resistance to rust and corrosion.

Controls

Refrigeration cycle controls shall include condenser fan, evaporator fan and compressor contactors. Compressors shall be equipped with a combination internal winding thermostat/current overload. Internal high pressure relief shall also be provided.

Refrigeration System

Compressors — All units shall have hermetically sealed Climatuff® compressors. Compressors shall be equipped with over temperature, over current and high pressure protection. Crankcase heaters shall be standard on all three phase models.

Evaporator Coil — Internally enhanced 3/8-inch OD seamless copper tubing mechanically bonded to aluminum fins, factory pressure and leak tested at 250 to 300 psig.

Condenser Coil — Outdoor coils shall be internally enhanced 3/8-inch OD seamless copper tubing mechanically bonded to aluminum fins. Each coil shall be factory pressure and leak tested at 420 psig.

Indoor Air Fan — Direct-drive, forward-curved, centrifugal type. Motor shall have thermal overload protection. Permanently lubricated motor bearings. Motor/blower assembly isolated from unit with rubber mounts.

Condenser Fan — Direct-drive, draw thru propeller type. Weather-proofed permanent split capacitor fan motor shall have built-in thermal overload and permanently lubricated motor bearings.

Low Ambient — Standard refrigerant system operation down to 55° F. Low ambient accessory required for operation in 0° F. ambient condition.

Heating System

Gas-Fired Heating Section — Models shall provide completely assembled, wired and piped gas fired heating systems within unit. Design certified by U.L., specifically for outdoor application. Threaded gas connection on the unit.

Electronic Ignition System — Main burner is lit each time thermostat calls for heat. Flame sensor proves flame and keeps the main burners on. Should a loss of flame occur, the main valve closes and the spark recurs within 0.8 second. When thermostat is satisfied, main burner is extinguished.

Forced Combustion Blower — Insures flame stability under varying wind conditions. Gives higher combustion efficiency and location flexibility.

Heat Exchanger — Aluminized steel tubes. Free floating design.

Burners — 20-gauge aluminized steel. Multi-port inshot.

Downflow Accessories (U.S. Domestic Models)

Roof Curb — The roof curb shall be designed to mate with the unit and provide support and complete weather-tight installation when properly installed. Curb shall ship knocked down for field assembly, and include wood nailer strips.

Downflow Economizer

Modulating Economizer — This accessory shall be field installed and be composed of the following items: 0-100% fresh air damper, damper drive motor fixed dry bulb enthalpy control, and low voltage polarized plug for electrical connections. Solid state enthalpy or differential enthalpy control is optional. Economizer operations shall be controlled by the preset position of the enthalpy control. A barometric relief damper shall be standard with the economizer and provide a pressure operated damper that shall be gravity closing and prohibit entrance of outside air on equipment "off" cycle.

Manual Fresh Air Hood

Manual outside air provides a fixed outside air quantity from 0 to 25 percent. Includes hood and bird screen.

Low Ambient Control

Control allows cycling of compressor under low ambient cooling conditions. Required for cooling operation to 0° F.

Propane Gas Conversion Kit — For conversion from natural gas to LP gas.



TRANE[®]

Trane
A business of
American Standard Companies
www.trane.com

Literature Order Number	RT-PRC021-EN	P.I.
File Number	PL-UN-RT-PRC021-EN 03/03	
Supersedes	YC-D-9	
Stocking Location	Webb/Mason-Houston	

Trane has a policy of continuous product and product data improvement and it reserves the right to change design and specifications without notice.