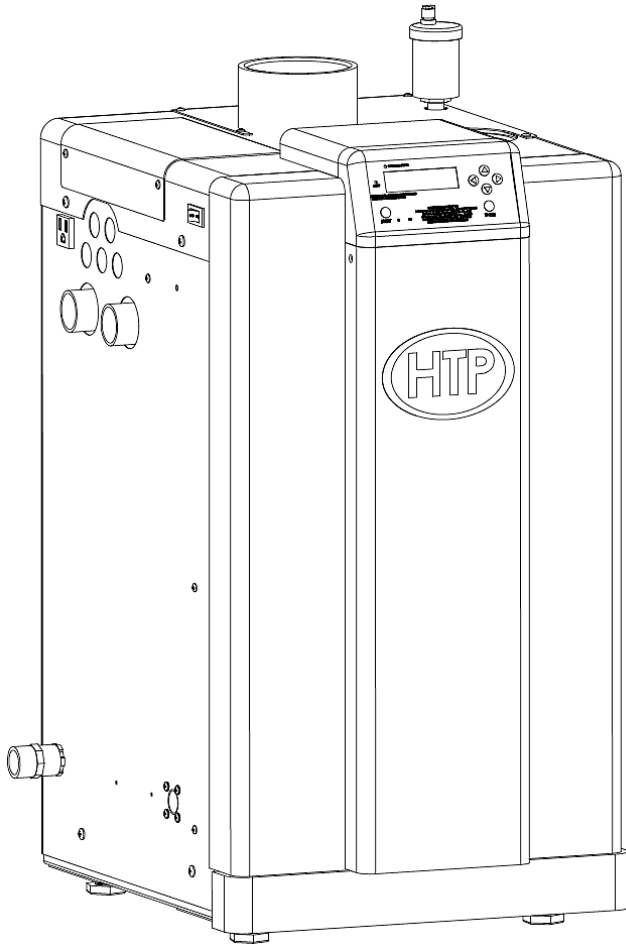




# Elite



**INSTALLATION**

**START-UP**

**MAINTENANCE**

**PARTS**

**Models\***

**EL-80 / 110 / 150 / 220 / 299 / 301 / 399**

\*A suffix of "LP" denotes propane gas

\*A suffix of "N" denotes natural gas



*Heat Exchanger Bears the ASME "H" Stamp*

## **⚠ DANGER**

This manual must only be used by a qualified heating installer/service technician. Read all instructions in this manual before installing. Perform steps in the order given. Failure to comply could result in substantial property damage, severe personal injury, or death.

**NOTICE:** HTP reserves the right to make product changes or updates without notice and will not be held liable for typographical errors in literature.

**NOTE TO CONSUMER: PLEASE KEEP ALL INSTRUCTIONS FOR FUTURE REFERENCE.**

## ⚠ WARNING

**IF THE INFORMATION IN THIS MANUAL IS NOT FOLLOWED EXACTLY, A FIRE OR EXPLOSION MAY RESULT, CAUSING PROPERTY DAMAGE, PERSONAL INJURY, OR LOSS OF LIFE. DO NOT STORE GASOLINE OR OTHER FLAMMABLE VAPORS AND LIQUIDS IN THE VICINITY OF THIS OR ANY OTHER APPLIANCE.**

### WHAT TO DO IF YOU SMELL GAS

- Do not try to light any appliance.
- Do not touch any electrical switch.
- Do not use any phone in your building.
- Immediately call your gas supplier from a neighbor's phone. Follow the gas supplier's instructions.
- If you cannot reach your gas supplier, call the fire department. Installation and service must be provided by a qualified installer, service agency, or the gas supplier.

## FOR YOUR SAFETY READ BEFORE OPERATING

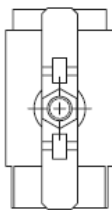
**WARNING: If you do not follow these instructions exactly, a fire or explosion may result, causing property damage, personal injury or loss of life.**

- A.** This appliance does not have a pilot. It is equipped with an ignition device which automatically lights the burner. Do not try to light the burner by hand.
- B.** BEFORE OPERATING smell all around the appliance area for gas. Be sure to smell next to the floor because some gas is heavier than air and will settle on the floor.
- WHAT TO DO IF YOU SMELL GAS**
- Do not try to light any appliance
  - Do not touch any electric switch; do not use any phone in your building
  - Immediately call your gas supplier from a neighbor's phone. Follow the gas suppliers' instructions.
  - If you cannot reach your gas supplier, call the fire department.
- C.** Use only your hand to turn the gas control knob. Never use tools. If the handle will not turn by hand, don't try to repair it, call a qualified service technician. Force or attempted repair may result in a fire or explosion.
- D.** Do not use this appliance if any part has been under water. Immediately call a qualified service technician to inspect the appliance and to replace any part of the control system and any gas control which has been under water.

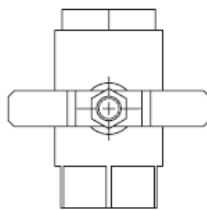
## OPERATING INSTRUCTIONS

1. **STOP!** Read the safety information above.
2. Set the thermostat to lowest setting.
3. Turn off all electric power to the appliance.
4. This appliance is equipped with an ignition device which automatically lights the burner. Do not try to light the burner by hand.
5. Remove front cover.
6. Turn gas shutoff valve to "off". Handle will be across the piping, do not force.
7. Wait five (5) minutes to clear out any gas. If you then smell gas, **STOP!** Follow "B" in the safety information above on this label. If you don't smell gas, go to next step.
8. Turn gas shutoff valve to "on". Handle will be in line with piping.
9. Install Front Cover.
10. Turn on all electric power to appliance.
11. Set thermostat to desired setting.
12. If the appliance will not operate, follow the instructions "To Turn Off Gas To Appliance" and call your service technician or gas supplier.

GAS VALVE  
ON



GAS VALVE  
OFF



## TO TURN OFF GAS TO APPLIANCE

1. Set the thermostat to lowest setting.
2. Turn off all electric power to the appliance if service is to be performed.
3. Remove Front Cover.
4. Turn gas shutoff valve to "off". Handle will be across the piping. Do not force.
5. Install Front Cover.

LP-175 Rev. 4 3-11-08

## SPECIAL ATTENTION BOXES

The following defined terms are used throughout this manual to bring attention to the presence of hazards of various risk levels, or to important product information.

### **DANGER**

**DANGER** indicates an imminently hazardous situation which, if not avoided, will result in death or serious injury.

### **WARNING**

**WARNING** indicates a potentially hazardous situation which, if not avoided, could result in death or serious injury.

### **CAUTION**

**CAUTION** indicates a potentially hazardous situation which, if not avoided, may result in minor or moderate injury.

### **CAUTION**

**CAUTION** used without the safety alert symbol indicates a potentially hazardous situation which, if not avoided, may result in property damage.

## FOREWORD

This manual is intended to be used in conjunction with other literature provided with the boiler. This includes all related control information. It is important that this manual, all other documents included with this system, and additional publications including the National Fuel Gas Code, ANSI Z223.1-2002, be reviewed in their entirety before beginning any work.

Installation should be made in accordance with the regulations of the Authority Having Jurisdiction, local code authorities, and utility companies which pertain to this type of water heating equipment.

**Authority Having Jurisdiction (AHJ)** – The Authority Having Jurisdiction may be a federal, state, local government, or individual such as a fire chief, fire marshal, chief of a fire prevention bureau, labor department or health department, building official or electrical inspector, or *others having statutory authority*. In some circumstances, the property owner or his/her agent assumes the role, and at government installations, the commanding officer or departmental official may be the AHJ.

**NOTE:** HTP, Inc. reserves the right to modify product technical specifications and components without prior notice.

## FOR THE INSTALLER

### **DANGER**

This manual must only be used by a qualified heating installer/service technician. Read all instructions in this manual before installing. Perform steps in the order given. Failure to comply could result in substantial property damage, severe personal injury, or death.

This appliance must be installed by qualified and licensed personnel. The installer should be guided by the instructions furnished with the boiler, and with local codes and utility company requirements. In the absence of local codes, preference should be given to the National Fuel Gas Code, ANSI Z223.1-2002.

#### **INSTALLATIONS MUST COMPLY WITH:**

Local, state, provincial, and national codes, laws, regulations and ordinances.

The latest version of the National Fuel Gas Code, ANSI Z223.1, from American Gas Association Laboratories, 8501 East Pleasant Valley Road, Cleveland, OH 44131.

In Canada – CGA No. B149 (latest version), from Canadian Gas Association Laboratories, 55 Scarsdale Road, Don Mills, Ontario, Canada M3B 2R3. Also, Canadian Electrical Code C 22.1, from Canadian Standards Association, 5060 Spectrum Way, Suite 100, Mississauga, Ontario, Canada L4W 5N6.

Code for the installation of Heat Producing Appliances (latest version), from American Insurance Association, 85 John Street, New York, NY 11038.

The latest version of the National Electrical Code, NFPA No. 70.

**NOTE:** The gas manifold and controls met safe lighting and other performance criteria when the boiler underwent tests specified in ANSI Z21.13 – latest edition.

**⚠ WARNING**

**The hydronic supply and return connections of these products are for installation in closed loop systems ONLY!** Use of this product in any manner other than described in this manual may result in premature product failure, substantial property damage, severe personal injury, or death. Damage or failure of this product (or the system in which it is installed) due to unauthorized use **IS NOT COVERED BY WARRANTY.**

**NOTICE**

**IMPORTANT**

In accordance with Section 325 (f) (3) of the Energy Policy and Conservation Act, HTP, Inc. has provided this boiler with multiple features designed to save energy by reducing the boiler water temperature as heating load decreases.

These features include:

- A modulating combustion system that adjusts firing rate based on heat demand.
- Adjustment of boiler set point based on inferred heat load as determined by an outdoor sensor. The outdoor sensor is supplied by HTP, Inc. with this boiler.
- This boiler does not include a standing pilot.
- This boiler is designed and shipped to assure the highest efficiency operation possible. Such high efficiency is achieved by limiting heating circuit water temperature to 140°F when there is no anticipated heat load, based upon the outdoor sensor and the Outdoor Reset Curve (sensor response curve) in the boiler software.
- This feature may be over-ridden as described below in specific installations:
- The boiler control is equipped with an outdoor sensor override for use with building management systems or in cascaded systems (for systems with total input of 300,000 BTU/hr or greater).  
See statement below for an important notice on the use of the override.

**IMPORTANT**

In accordance with Section 325 (f) (3) of the Energy Policy and Conservation Act, this boiler is equipped with a feature that saves energy by reducing the boiler water temperature as the heating load decreases. This feature is equipped with an override which is provided primarily to permit the use of an external energy management system that serves the same function. **THIS OVERRIDE MUST NOT BE USED UNLESS AT LEAST ONE OF THE FOLLOWING CONDITIONS IS TRUE:**

- An external energy management system is installed that reduces the boiler water temperature as the heating load decreases.
- This boiler is not used for space heating.
- This boiler is part of a modular or multiple boiler system having a total input of 300,000 BTU/hr or greater.
- This boiler is equipped with a tankless coil.

**NOTICE**

The CSD-1 ASME Code, Section CW-400 requires that hot water heating and supply boilers have a) a UL 353 temperature control device, b) at least one (1) temperature-actuated control to shut off the fuel supply when system water reaches a preset operating temperature, c) a high temperature limit control that prevents the water temperature from exceeding the maximum allowable temperature by causing a safety shutdown and lockout, and d) its own sensing element and operating switch.

The temperature control system integrated into the 926 control provided with this heating appliance complies with the requirements of CSD-1 Section CW-400 as a temperature operation control. The control monitors the temperature difference between the inlet and the outlet sensor, which is affected by boiler water flow. If this temperature difference exceeds 55°F (typically because of low water flow or very low heat load), the control will reduce the maximum fan speed. If the temperature difference exceeds 60°F, the control will effectively sense there is little or no water flow or heat load and shut the boiler down. The controller will restart automatically once the temperature difference has dropped below 55°F and the minimum off time (anti-cycle time) has expired. In addition, if the control senses that the outlet water temperature has reached 210°F, the boiler is put into a hard lockout and requires manual reset to restart.

**TABLE OF CONTENTS**

**PART 1 – GENERAL SAFETY INFORMATION.....7**

A. PRECAUTIONS.....7

B. IMPROPER COMBUSTION ..... 8

- C. GAS.....8
- D. WHEN SERVICING THE BOILER.....8
- E. BOILER WATER.....8
- F. BOILER WATER CHEMISTRY\* .....8
- G. FREEZE PROTECTION FLUIDS .....9
- PART 2 – BEFORE YOU START .....9**
- A. WHAT’S IN THE BOX.....9
- B. HOW BOILER OPERATES .....9
- C. OPTIONAL EQUIPMENT .....10
- PART 3 – PREPARE BOILER LOCATION .....11**
- A. BEFORE LOCATING THE BOILER .....11
- B. LEVELING AND DIMENSIONS.....12
- C. CLEARANCES FOR SERVICE ACCESS .....12
- D. RESIDENTIAL GARAGE INSTALLATION .....14
- E. EXHAUST VENT AND INTAKE PIPE.....14
- 1. DIRECT VENT INSTALLATION OF EXHAUST VENT AND INTAKE PIPE .....15**
- 2. INDOOR COMBUSTION AIR INSTALLATION IN CONFINED OR UNCONFINED SPACE .....15**
- F. PREVENT COMBUSTION AIR CONTAMINATION.....15
- G. REMOVING A BOILER FROM A COMMON VENT SYSTEM .....16
- H. UNCRATING THE BOILER.....17
- PART 4 – BOILER PIPING .....17**
- A. GENERAL PIPING INFORMATION .....17
- B. RELIEF VALVE .....17
- C. BACKFLOW PREVENTER .....18
- D. SYSTEM WATER PIPING METHODS.....18
- E. CIRCULATORS .....19
- F. HYDRONIC PIPING WITH CIRCULATORS, ZONE VALVES, AND MULTIPLE BOILERS.....19
- G. PIPING DETAILS\* .....19
- H. PIPING INSTALLATION.....24
- I. CIRCULATOR SIZING .....24
- J. CHECK/CONTROL WATER CHEMISTRY .....26
- K. FILL AND PURGE HEATING SYSTEM.....27
- L. GLYCOL ANTIFREEZE SOLUTIONS.....27
- M. ZONING WITH ZONE VALVES .....27
- N. ZONING WITH CIRCULATORS.....28
- O. MULTIPLE BOILERS .....28
- PART 5 – VENTING, COMBUSTION AIR, AND CONDENSATE REMOVAL.....28**
- A. GENERAL .....28
- B. APPROVED MATERIALS FOR EXHAUST VENT AND INTAKE PIPE .....29
- C. REQUIREMENTS FOR INSTALLATION IN CANADA .....29
- D. EXHAUST VENT AND INTAKE PIPE LOCATION .....30

E. EXHAUST VENT AND INTAKE PIPE SIZING ..... 33

F. LONGER VENT RUNS ..... 33

G. EXHAUST VENT AND INTAKE PIPE INSTALLATION ..... 34

H. VENTING DRAWINGS ..... 35

**1. DIRECT VENT INSTALLATION OF EXHAUST VENT AND INTAKE PIPE ..... 35**

**2. VENTING THROUGH AN EXISTING SYSTEM ..... 39**

**3. INDOOR COMBUSTION AIR INSTALLATION IN CONFINED OR UNCONFINED SPACE ..... 41**

**PART 6 – GAS PIPING ..... 43**

    A. GAS CONNECTION ..... 43

    B. GAS PIPING ..... 43

    C. CHECK INLET GAS PRESSURE ..... 44

    D. BOILER GAS VALVE ..... 45

**PART 7 – FIELD WIRING ..... 46**

    A. INSTALLATION MUST COMPLY WITH: ..... 46

    B. FIELD WIRING TERMINATIONS ..... 46

    C. FIELD WIRING ..... 46

    D. LINE VOLTAGE WIRING FOR STANDARD BOILER ..... 46

    E. ALARM CONNECTIONS ..... 47

    F. LOW VOLTAGE CONNECTIONS FOR STANDARD BOILER ..... 47

    G. THERMOSTAT ..... 47

    H. OUTDOOR SENSOR ..... 47

    I. INDIRECT SENSOR ..... 48

    J. OPTIONAL 0-10 VOLT BUILDING CONTROL SIGNAL ..... 48

    K. OPTIONAL UL353 LOW WATER CUT-OFF INTERFACE KIT ..... 48

    L. WIRING OF CASCADE SYSTEM COMMUNICATION BUS ..... 48

    M. CASCADE MASTER PUMP AND SENSOR WIRING ..... 50

    N. CASCADE FOLLOWER PUMP AND SENSOR WIRING ..... 50

**PART 8 – START-UP PREPARATION ..... 55**

    A. CHECK / CONTROL WATER CHEMISTRY ..... 55

    B. CHECK FOR GAS LEAKS ..... 56

    C. FREEZE PROTECTION (WHEN USED) ..... 56

    D. FILL AND TEST WATER SYSTEM ..... 56

    E. PURGE AIR FROM WATER SYSTEM ..... 56

    F. CHECK THERMOSTAT CIRCUIT(S) ..... 57

    G. CONDENSATE REMOVAL ..... 57

    H. FINAL CHECKS BEFORE STARTING BOILER ..... 58

    I. CASCADE SYSTEM ..... 58

    J. LOCKOUT CONDITION ..... 58

**PART 9 – START-UP PROCEDURE ..... 59**

    A. CONTROL OVERVIEW ..... 59

    B. NAVIGATION OF THE DISPLAY ..... 59

C. OPERATING INSTRUCTIONS ..... 60

D. PROGRAMMING BOILER SETTINGS..... 60

E. PROGRAMMING THE SYSTEM SETTING ..... 61

F. SYSTEM SETTING PROGRAM NAVIGATION ..... 61

G. RESETTING THE MAINTENANCE SCHEDULE ..... 63

**PART 10 – START-UP PROCEDURES FOR THE INSTALLER..... 64**

A. BOILER CONTROL STATUS MENU ..... 64

B. CASCADE MENU..... 66

C. BOILER TEST MODE ACCESS..... 66

**PART 11 – TROUBLESHOOTING ..... 67**

A. BOILER ERROR CODE ..... 67

B. BOILER ERROR ..... 67

C. BOILER FAULT ..... 67

D. USER INTERFACE DISPLAY ..... 68

**PART 12 – MAINTENANCE ..... 73**

A. MAINTENANCE PROCEDURES ..... 73

B. COMBUSTION CHAMBER COIL CLEANING INSTRUCTIONS FOR BOILER ..... 74

C. CLEANING WATER SIDE OF HEAT EXCHANGER..... 75

D. MAINTAINING THE CONDENSATE SYSTEM ..... 75

**BOILER START-UP REPORT ..... 80**

**MAINTENANCE REPORT ..... 80**


**MAINTENANCE NOTES..... 84**

**HTP CUSTOMER INSTALLATION RECORD FORM..... 85**

**PART 1 – GENERAL SAFETY INFORMATION**

**A. PRECAUTIONS**

This appliance is for indoor installations only. Clearance to combustible materials: 0” top, bottom, sides and back. Left side has all boiler mechanical connections. Front must have room for service, 24” recommended. (A combustible door or removable panel is acceptable front clearance.) This appliance has been approved for closet installation. Do not install this appliance directly on carpeting. For installation on combustible flooring. Category IV vent systems only.

|   |
|---|
|  <b>WARNING</b>  |
| <b>INSTALLER</b> – Read all instructions in this manual before installing. Perform steps in the order given.  |
| <b>USER</b> – This manual is for use only by a qualified heating installer/service technician. Have this boiler serviced/inspected by a qualified service technician annually.        |
| <b>FAILURE TO ADHERE TO THE GUIDELINES ON THIS PAGE AND HAVE THIS BOILER SERVICED/INSPECTED ANNUALLY CAN RESULT IN SUBSTANTIAL PROPERTY DAMAGE, SEVERE PERSONAL INJURY, OR DEATH.</b> |

**NOTE:** When inquiring about service or troubleshooting, reference the model and serial numbers from the boiler rating label.

|   |
|---|
| <p><b>NOTE:</b> If the boiler is exposed to the following, do not operate until all corrective steps have been made by a qualified serviceman:</p> <ol style="list-style-type: none"> <li>1. FIRE</li> <li>2. DAMAGE</li> <li>3. WATER</li> </ol> <p>Any claims for damage or shortage in shipment must be filed immediately against the transportation company by the consignee.</p> |
|---|

## ⚠ WARNING

**DO NOT USE THIS APPLIANCE IF ANY PART HAS BEEN SUBMERGED IN WATER.** Immediately call a qualified service technician. The appliance **MUST BE** replaced if it has been submerged. Attempting to operate an appliance that has been submerged could create numerous harmful conditions, such as a potential gas leakage causing a fire and/or explosion, or the release of mold, bacteria, or other harmful particulates into the air. Operating a previously submerged appliance could result in property damage, severe personal injury, or death.

**NOTE:** Appliance damage due to flood or submersion is considered an Act of God, and IS NOT covered under product warranty.

## ⚠ WARNING

Be sure to disconnect electrical power before opening boiler cabinet or performing service. Failure to do so could result in an electrical shock that could result in property damage, serious personal injury, or death.

## CAUTION

Due to the low water content of the boiler, improper sizing of the boiler with regard to heating system load will result in excessive cycling and accelerated component failure. HTP **DOES NOT** warrant failures caused by improperly sized boiler applications. **DO NOT** oversize the boiler to the system. Modular boiler installations greatly reduce the likelihood of boiler oversizing.

### B. IMPROPER COMBUSTION

## ⚠ WARNING

Do not obstruct the flow of combustion and ventilating air. Adequate air must be provided for safe operation. Failure to keep the exhaust vent and intake pipe clear of ice, snow, or other debris could result in property damage, serious personal injury, or death.

### C. GAS

Should overheating or gas supply fail to shut off, do not turn off or disconnect electrical supply to the circulator. Instead, shut off the gas supply at a location external to the appliance.

### D. WHEN SERVICING THE BOILER

- To avoid electric shock, disconnect electrical supply before performing maintenance.
- To avoid severe burns, allow boiler to cool.

### E. BOILER WATER

- If you have an old system with cast iron radiators, thoroughly flush the system (without boiler connected) to remove sediment. The high-efficiency heat exchanger can be damaged by build-up or corrosion due to sediment. HTP recommends a suction strainer in this type of system.
- Do not use petroleum-based cleaning or sealing compounds in boiler system. Gaskets and seals in the system may be damaged, possibly resulting in substantial property damage.
- Do not use "homemade cures" or "boiler patent medicines". Substantial property damage, damage to boiler, and/or serious personal injury may result.
- Continual fresh make-up water will reduce boiler life. Mineral buildup in the heat exchanger reduces heat transfer, overheats the stainless steel heat exchanger, and causes failure. Addition of oxygen from make-up water can cause internal corrosion in system components. Leaks in the boiler or piping must be repaired at once.


**NOTE:** DO NOT add cold make up water to the system when the boiler is hot. Thermal shock can potentially cause cracks in the heat exchanger. Such damage IS NOT covered by warranty.

### F. BOILER WATER CHEMISTRY\*

- Sodium less than 20mGL.
- Water pH between 6.0 and 8.0
  - Maintain water pH between 6.0 and 8.0. Check with litmus paper or have it chemically analyzed by water treatment company.
  - If the pH differs from above, consult local water treatment company for treatment needed.

## ⚠ WARNING

### Breathing Hazard - Carbon Monoxide Gas



- Do not operate heater if flood damaged.
- Install vent system in accordance with local codes and manufacturers installation instructions.
- Do not obstruct heater air intake or exhaust. Support all vent piping per manufacturers installation instructions.
- Do not place chemical vapor emitting products near unit.
- According to NFPA 720, carbon monoxide detectors should be installed outside each sleeping area.
- Never operate the heater unless it is vented to the outdoors.
- Analyze the entire vent system to make sure that condensate will not become trapped in a section of vent pipe and therefore reduce the open cross sectional area of the vent.

Breathing carbon monoxide can cause brain damage or death.  
Always read and understand instruction manual.

LP-304 4/28/09



- Hardness less than 7 grains
  - Consult local water treatment companies for unusually hard water areas (above 7 grains hardness).
- Chlorine concentration less than 100 ppm
  - Using chlorinated fresh water should be acceptable as levels are typically less than 5 ppm.
  - Do not connect the boiler to directly heat swimming pool or spa water.
  - Do not fill boiler or operate with water containing chlorine in excess of 100 ppm.
- **\*NOTE:** It is recommended to clean heat exchanger at least once a year to prevent lime scale buildup. To clean the heat exchanger, follow the maintenance procedure in Part 13, Section B of this manual.

**Hardness:** 7 grains

**Chloride levels:** 100 ppm

**pH levels:** 6-8

**TDS:** 2000 ppm

**Sodium:** 20 mGL

### **G. FREEZE PROTECTION FLUIDS**

#### **CAUTION**

**NEVER** use automotive or standard glycol antifreeze, or ethylene glycol made for hydronic systems, with this boiler. Use only inhibited propylene glycol solutions, which are specifically formulated for hydronic systems. Ethylene glycol is toxic and can attack gaskets and seals used in hydronic systems.

#### **CAUTION**

Consider boiler piping and installation when determining boiler location.

**NOTE:** Damages resulting from incorrect installation or from use of products not approved by HTP, Inc. ARE NOT covered by warranty.

## **PART 2 – BEFORE YOU START**

### **A. WHAT'S IN THE BOX**

Also included with the boiler:

- Temperature and Pressure Gauge (Part #7250P-211)
- Pressure Relief Valve (Part #7250P-080)
- Indirect Sensor
- Outdoor Sensor
- Intake PVC Tee with Screens
- Exhaust PVC Coupling with Screens
- Outlet Combination Fitting (1" - Part #7450P-134 for EL80/110/150/220, 1.25" - #7450-135 for EL299/301, 1.5" - #7450-136 for EL399)
- Installation Manual
- Warranty
- CSD-1 Form
- H-3 Data Sheet
- NAT to LP Conversion Kit (Part #7450P-223) (Included with NAT models)
- LP to NAT Conversion Kit (Part #7450P-224) (Included with LP models)

### **B. HOW BOILER OPERATES**

Elite<sup>®</sup> condensing technology intelligently delivers hydronic heating while maximizing efficiency. Outlined below are the features of the system and how they operate:

**Stainless Steel Heat Exchanger** - The highly efficient stainless steel heat exchanger is designed to extract all available heat from the supply line before it is exhausted.

**Modulating Combustion System** - The combustion system will modulate the output of the burner during operation to match the system demand and achieve the control set point while in operation. The set point can change by internal or external signals which enhance the overall performance of the system.

**Control** – The integrated control system monitors the system and regulates fan speed to control boiler output. This allows the boiler to deliver only the amount of heat energy required and nothing more.

The control can be set up to monitor outdoor temperature through an outdoor sensor to regulate boiler set point. The system can be further enhanced by installing an indirect water heater to provide domestic hot water.

The control can regulate the output of multiple boilers through its cascade system function. The cascade system is capable of connecting up to eight boilers together in such a way that they function as one boiler system. This allows for greater turn down ratios and provides systematic control of the multiple boilers in an installation to minimize downtime and maximize efficiency.

The cascade system works by establishing one boiler as the master and the other connected boilers as followers. The master boiler requires a sensor to provide feedback on set point temperature in order to adjust heating input from the connected boilers. Each cascaded boiler will have its own pump to provide maximum flow and control heat exchanger flow rate.

**Text Display and Operational LED Light Indicators** – The display allows the user to change system parameters and monitor system outputs.

**Gas Valve** – Senses suction from the blower, allowing gas to flow only if powered and combustion air is flowing.

**All Metal Integrated Venturi** – Controls air and gas flow into the burner.

**Burner** – Constructed of high grade stainless steel, the burner uses premixed air and gas fuel and provides a wide range of firing rates.

**Spark Ignition** – The burner is ignited by applying high voltage through the system spark electrode. This causes the spark from the electrode to ignite mixed gas off of the burner.

**Supply Water Temperature Sensor** – This sensor monitors the boiler outlet water temperature (System Supply). The control adjusts the boiler firing rate so the supply temperature will match the boiler set point.

**Return Water Temperature Sensor** – This sensor monitors the boiler return water temperature (System Return).

**Flue Sensor** – Monitors flue temperature and adjusts firing rate.

**Temperature and Pressure Gauge** – Allows the user to monitor system temperature and pressure.

**Electrical field connections with terminal strips** – The electrical cover allows easy access to the line voltage and low voltage terminals strips which are clearly marked to facilitate wiring of the boiler.

**Condensation Collection System** – This boiler is a high efficiency appliance, therefore the boiler will produce condensate. The collection system has a float switch which monitors the condensation level and prevents condensation from backing up into the combustion system. Inside the collection system there is a built in trap which seals the combustion system from the connected drain. This condensate should be neutralized to avoid damage to the drainage system or piping.

**Outdoor Sensor** – Monitors outdoor temperature and adjusts unit set point to provide greater efficiency.

**0-10 Volt Input** – Allows Installer to connect a BMS (Building Management System) to control the boiler.

**Condensate Flue Check System** – The check system prevents exhaust from the heat exchanger from backing up into cabinet.

**Pump Service Mode** – Allows manual operation of pumps to commission system and check pump operation.

**The Vision II System (Optional)** – Allows the user to supply mixed temperatures in up to eight zones. The Vision II system controls the temperature to each zone by employing three way mixing valves. The Vision II also controls the output temperature of the boiler to assure accurate temperature delivery to all connected zones.

### **C. OPTIONAL EQUIPMENT**

Below is a list of optional equipment available from HTP. These additional options may be purchased through your HTP distributor:

- Wall Mount Bracket (Part # 7450P-211)
- System Sensor (Part # 7250P-324)
- Indirect Tank Sensor (Part # 7250P-325)
- 3" PVC Concentric Vent Kit (Part # KGAVT0601CVT)
- 3" Stainless Steel Outside Termination Vent Kit (Part # V1000)
- 4" Stainless Steel Outside Termination Vent Kit (Part # V2000)
- 6" Stainless Steel Outside Termination Vent Kit (Part # V3000)
- 3" Polypro Vent Kit (Part # 8400P-001)
- 3" Polypro Pipe (33' length Part # 8400P-002, 49.5' length Part # 8400P-003)
- U.L. 353 Compliant Low Water Cut-Off Interface Kit with Manual Reset (Part # 7450P-225)
- Manual Reset High Limit (Part # 7450P-217)

- Alarm System (Part # 7350P-602) (to monitor any failure)
- PC Connection Kit (Part # 7250P-320)
- Condensate Neutralizer (Part # 7450P-212 for EL-80/110/150/220/299/301, Part # 7350P-611 for EL-399)
- Flow Switch Kit (Part # 7450P-213 for EL-80/110/150/220, Part # 7450P-214 for EL-299/301, Part # 7450P-215 for EL-399)
- Vision II (Part # 7250P-322)

**NOTE:** When using an optional system sensor, pipe insulation must be wrapped around it to improve temperature measurement accuracy and increase overall system efficiency.

## PART 3 – PREPARE BOILER LOCATION

### CAUTION

Carefully consider installation when determining boiler location. Please read the entire manual before attempting installation. Failure to properly take factors such as boiler venting, piping, condensate removal, and wiring into account before installation could result in wasted time, money, and possible property damage and personal injury.

### A. BEFORE LOCATING THE BOILER

### WARNING

Incorrect ambient conditions can lead to damage to the heating system and put safe operation at risk. Ensure that the boiler installation location adheres to the information included in this manual. Failure to do so could result in property damage, serious personal injury, or death.

### CAUTION

Failure of boiler or components due to incorrect operating conditions IS NOT covered by product warranty.

#### 1. Installation Area (Mechanical Room) Operating Conditions

- Ensure ambient temperatures are higher than 32°F/0°C and lower than 104°F/40°C.
- Prevent the air from becoming contaminated by the products, places, and conditions listed in this manual, Part 3, Section F.
- Avoid continuously high levels of humidity
- Never close existing ventilation openings

### CAUTION

The service life of the boiler's exposed metallic surfaces, such as the casing, as well as internal surfaces, such as the heat exchanger, are directly influenced by proximity to damp and salty marine environments. In such areas, higher concentration levels of chlorides from sea spray coupled with relative humidity can lead to degradation of the heat exchanger and other boiler components. In these environments, boilers must not be installed using direct vent systems which draw outdoor air for combustion. Such boilers must be installed using room air for combustion. Indoor air will have a much lower relative humidity and, hence, potential corrosion will be minimized.

### WARNING

This boiler is certified for indoor installations only. Do not install the boiler outdoors. Failure to install this boiler indoors could result in substantial property damage, severe personal injury, or death.

#### 2. Check for nearby connections to:

- System water piping
- Venting connections
- Gas supply piping
- Electrical power
- Condensate drain

#### 3. Check area around boiler. Remove any combustible materials, gasoline, and other flammable liquids.

### WARNING

Failure to keep boiler area clear and free of combustible materials, liquids, and vapors can result in substantial property damage, severe personal injury, or death.

4. Gas control system components must be protected from dripping water during operation and service.

5. If the boiler is to replace an existing boiler, check for and correct any existing system problems, such as:
- System leaks
  - Location that could cause the system and boiler to freeze and leak.
  - Incorrectly-sized expansion tank

6. Clean and flush system when reinstalling a boiler.

**NOTE:** When installing in a zero clearance location, it may not be possible to read or view some product labeling. It is recommended to make note of the boiler model and serial number.

**⚠ WARNING**

Do not mount the boiler to a hollow wall. Mount to the studs only. Failure to do so will result in substantial property damage, and could result in severe personal injury or death.

**⚠ WARNING**

Use extreme care not to drop the boiler or cause bodily injury while lifting or mounting the boiler onto the optional wall mount bracket. Failure to do so will result in property damage, and could result in severe personal injury or death.

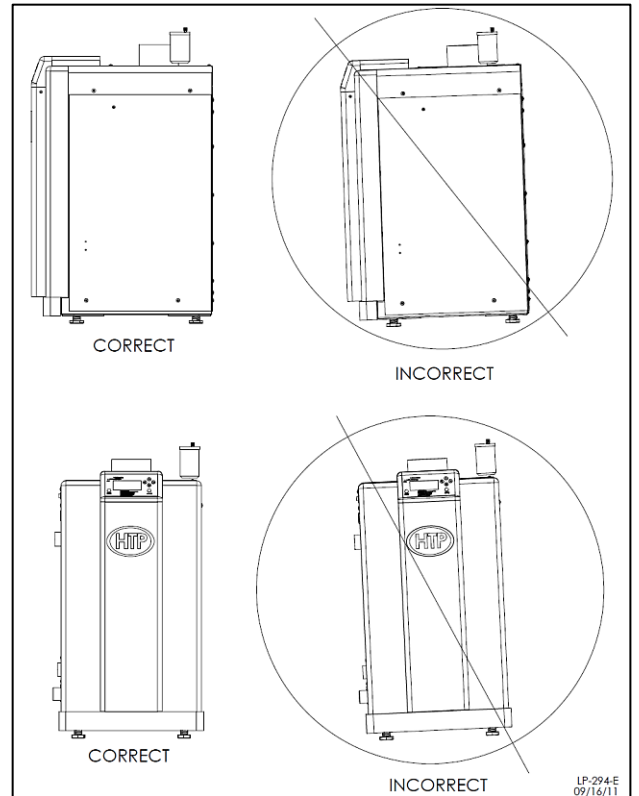


Figure 1 – Leveling

**⚠ WARNING**

Gas conversion should be performed BEFORE the boiler is installed. Carefully follow the gas conversion instructions when performing the conversion. Failure to do so could result in property damage, severe personal injury, or death.

**B. LEVELING AND DIMENSIONS**

**⚠ CAUTION**

In order for the condensate to properly flow out of the collection system, the area where you locate the boiler must be level. The boiler comes equipped with leveling feet. Should you find the floor beneath the boiler is uneven, adjust the leveling feet with a wrench.

**C. CLEARANCES FOR SERVICE ACCESS**

See Figure 2 for recommended service clearances. If these minimum clearances are not provided, it may not be possible to service the boiler without removing it from the space.

**MINIMUM CLEARANCES FROM COMBUSTIBLE MATERIALS**

- Hot water pipes – at least 1” from combustible materials.
- Exhaust vent pipe – at least 1” from combustible materials.

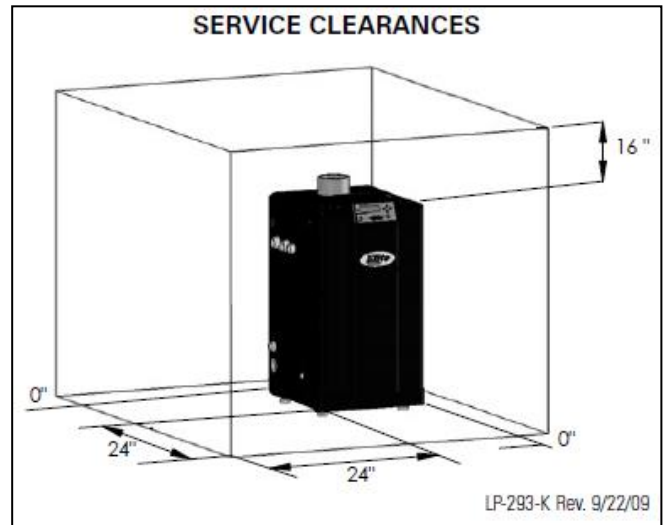


Figure 2 – Recommended Service Clearances

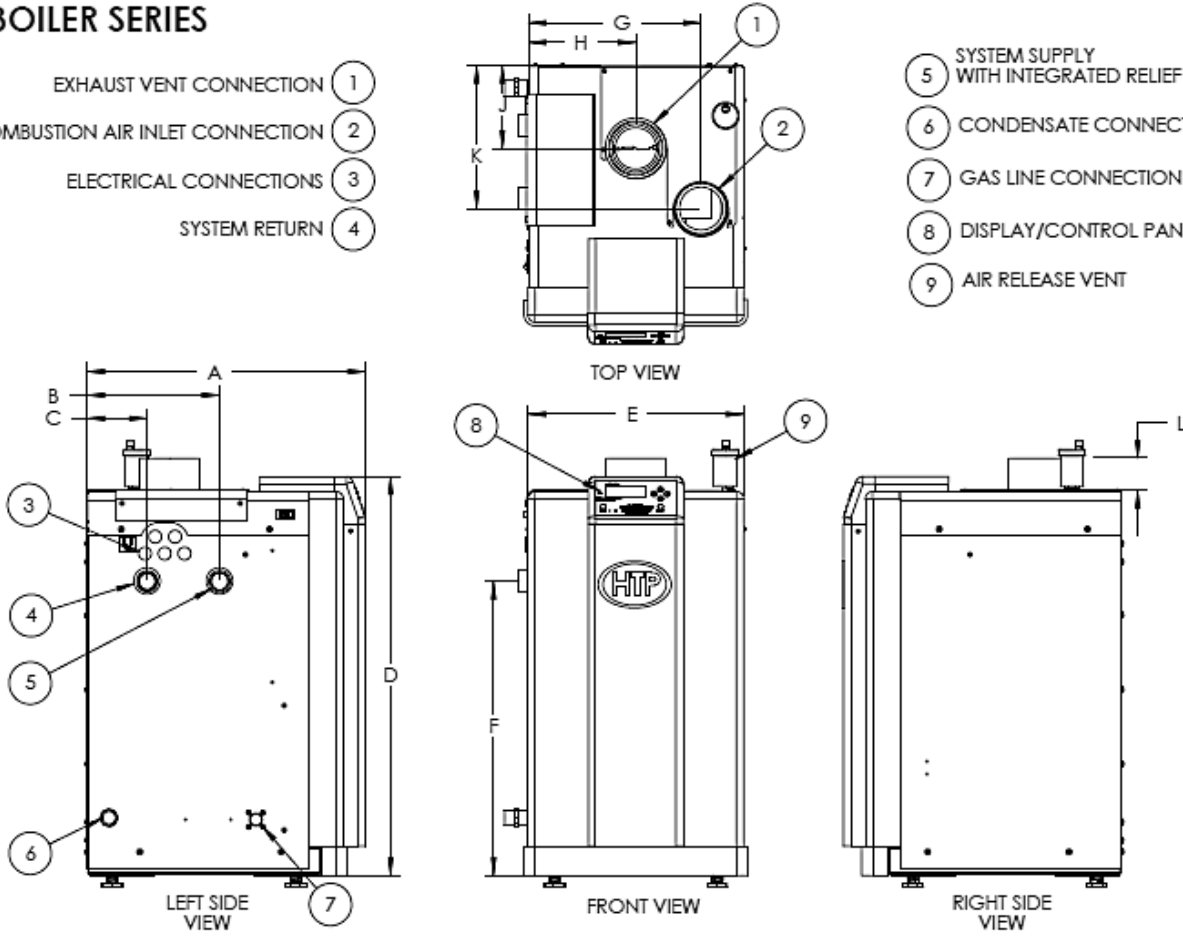
**⚠ WARNING**

Space must be provided with combustion/ventilation air openings correctly sized for all other appliances located in the same space as the boiler. The boiler cover must be securely fastened to prevent it from drawing air from the boiler room. This is particularly important if the boiler is in a room with other appliances. Failure to comply with the above could result in substantial property damage, severe personal injury, or death.

# ELITE BOILER SERIES

- EXHAUST VENT CONNECTION (1)
- COMBUSTION AIR INLET CONNECTION (2)
- ELECTRICAL CONNECTIONS (3)
- SYSTEM RETURN (4)

- (5) SYSTEM SUPPLY WITH INTEGRATED RELIEF VALVE
- (6) CONDENSATE CONNECTION
- (7) GAS LINE CONNECTION
- (8) DISPLAY/CONTROL PANEL
- (9) AIR RELEASE VENT



| MODEL* | A     | B     | C    | D     | E     | F     | G     | H    | J    | K     | L    | SHIPPING WEIGHT |
|--------|-------|-------|------|-------|-------|-------|-------|------|------|-------|------|-----------------|
| EL-80  | 18.50 | 9.00  | 2.50 | 27.25 | 14.50 | 20.00 | 11.75 | 7.38 | 5.75 | 10.00 | 2.18 | 108             |
| EL-110 | 18.50 | 9.00  | 2.50 | 27.25 | 14.50 | 20.00 | 11.75 | 7.38 | 5.75 | 10.00 | 2.18 | 113             |
| EL-150 | 19.50 | 10.50 | 2.50 | 27.25 | 14.50 | 20.00 | 11.75 | 7.38 | 4.25 | 8.50  | 2.18 | 126             |
| EL-220 | 26.50 | 17.50 | 6.00 | 27.25 | 14.50 | 20.00 | 11.75 | 7.38 | 4.25 | 8.50  | 2.18 | 164             |

| MODEL  | MAX MBH | MIN MBH | AFUE | HEATING CAPACITY MBH | SUPPLY/RETURN | EXHAUST/AIR INLET | GAS CONNECTION |
|--------|---------|---------|------|----------------------|---------------|-------------------|----------------|
| EL-80  | 80      | 16      | 95.9 | 74                   | 1"            | 3"                | 3/4"           |
| EL-110 | 110     | 22      | 95.7 | 102                  |               |                   |                |
| EL-150 | 150     | 30      | 95.5 | 139                  |               |                   |                |
| EL-220 | 220     | 44      | 95.2 | 205                  |               |                   | 1"             |

LP-285-B  
02/05/14

\* "N" DENOTES NATURAL GAS "LP" DENOTES PROPANE  
ALL DIMENSIONS ARE APPROXIMATE AND ARE SUBJECT TO CHANGE

Figure 3 - LP-285-B

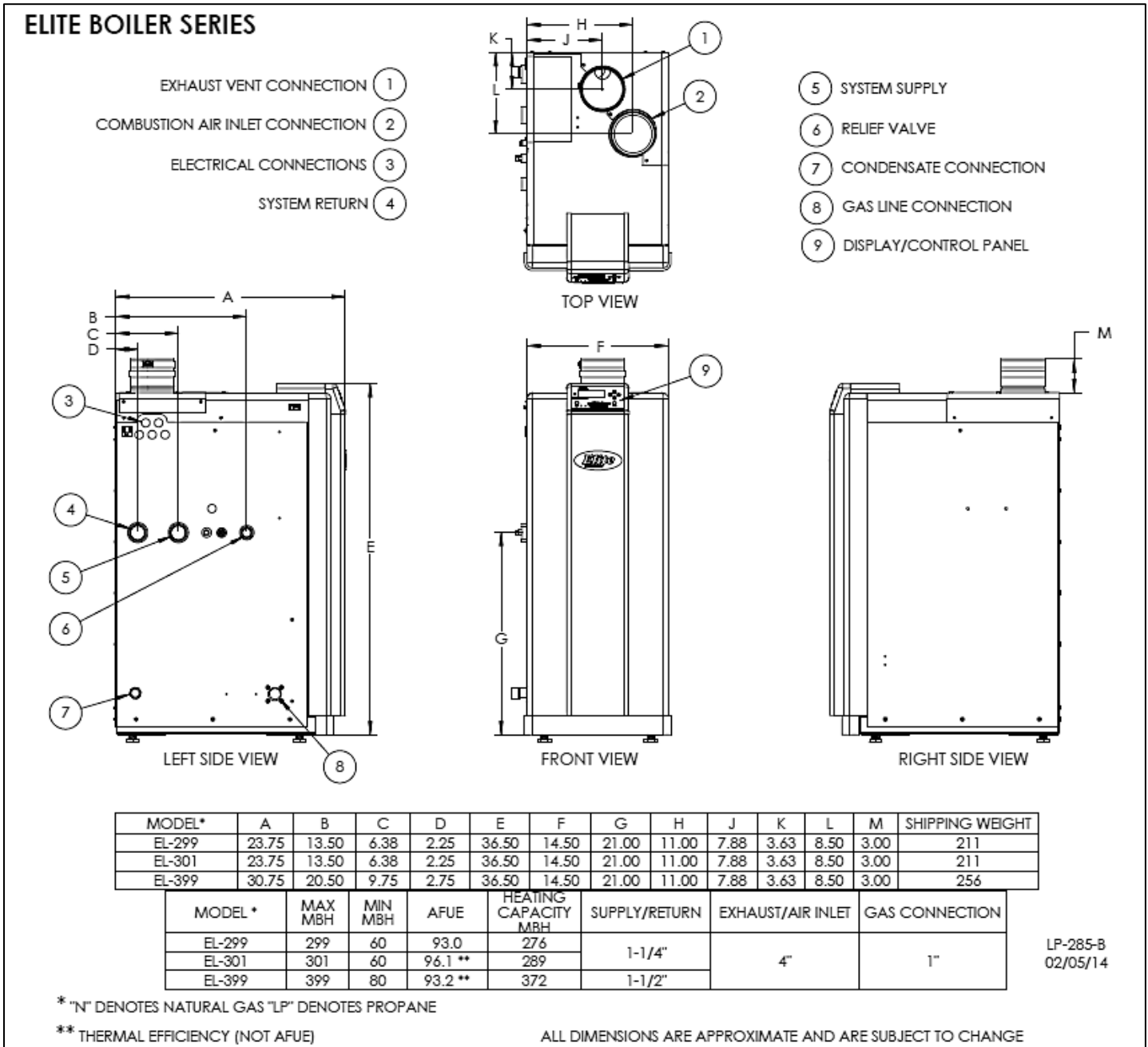


Figure 4

**D. RESIDENTIAL GARAGE INSTALLATION**

**PRECAUTIONS**

If the boiler is located in a residential garage, per ANSI Z223.1:

- Mount the bottom of the boiler a minimum of 18" above the floor of the garage, to ensure the burner and ignition devices are well off the floor.
- Locate or protect the boiler so it cannot be damaged by a moving vehicle.

**E. EXHAUST VENT AND INTAKE PIPE**

The appliance is rated ANSI Z21.13 Category IV (pressurized vent, likely to form condensate in the vent) and requires a special vent system designed for pressurized venting.

**NOTE: The venting options described here (and further detailed in the Venting section of this manual) are the lone venting options approved for this appliance. Failure to vent the appliance in accordance with the provided venting instructions will void the warranty.**

## **DANGER**

Failure to vent the appliance properly will result in serious personal injury or death.

## **WARNING**

Vents must be properly supported. Appliance exhaust and intake connections are not designed to carry heavy weight. Vent support brackets must be within 1' of the appliance and the balance at 4' intervals. Appliance must be readily accessible for visual inspection for the first 3' from the appliance.

### **1. DIRECT VENT INSTALLATION OF EXHAUST VENT AND INTAKE PIPE**

If installing a direct vent option, combustion air must be drawn from the outdoors directly into the appliance intake, and exhaust must terminate outside. There are three basic direct vent options detailed in this manual: 1. Side Wall Venting, 2. Roof Venting, and 3. Unbalanced Venting.

Be sure to locate the appliance such that the exhaust vent and intake piping can be routed through the building and properly terminated. Different vent terminals can be used to simplify and eliminate multiple penetrations in the building structure (see Optional Equipment in Venting Section). The exhaust vent and intake piping lengths, routing and termination methods must all comply with the methods and limits given in the Venting section of this manual.

When installing a combustion air intake from outdoors, care must be taken to utilize uncontaminated combustion air. **NOTE: To prevent combustion air contamination, see Table 1.**

### **2. INDOOR COMBUSTION AIR INSTALLATION IN CONFINED OR UNCONFINED SPACE**

This appliance requires fresh, uncontaminated air for safe operation and must be installed in a mechanical room where there is adequate combustion and ventilating air. **NOTE: To prevent combustion air contamination, see Table 1.**

Combustion air from the indoor space can be used if the space has adequate area or when air is provided through a duct or louver to supply sufficient combustion air based on the appliance input. **Never obstruct the supply of combustion air to the appliance.** If the appliance is installed in areas where indoor air is contaminated (see Table 1) it is imperative that the appliance be installed as direct vent so that all combustion air is taken directly from the outdoors into the appliance intake connection.

**Unconfined space** is space with volume greater than 50 cubic feet per 1,000 Btu/hour (4.8 cubic meters per kW) of the total input rating of all fuel-burning appliances installed in that space. Rooms connected directly to this space, through openings not furnished with doors, are considered part of the space.

**Confined space** is space with volume less than 50 cubic feet per 1,000 Btu/hour (4.8 cubic meters per kW) of the total input rating of all fuel-burning appliances installed in that space. Rooms connected directly to this space, through openings not furnished with doors, are considered part of the space.

When drawing combustion air from inside a conventionally constructed building to a confined space, such space should be provided with two permanent openings: one located 6" (15 cm) below the space ceiling, the other 6" (15cm) above the space floor. Each opening should have a free area of one square inch per 1,000 Btu/hr (22cm<sup>2</sup>/kW) of the total input of all appliances in the space, but not less than 100 square inches (645cm<sup>2</sup>).

If the confined space is within a building of tight construction, air for combustion must be obtained from the outdoors as outlined in the Venting Section of this manual.

## **CAUTION**

When drawing combustion air from the outside into the mechanical room, care must be taken to provide adequate freeze protection.

## **WARNING**

Do not attempt to vent this appliance by any means other than those described in this manual. Doing so will void the warranty, and may result in severe personal injury or death.

## **WARNING**

Failure to provide an adequate fresh combustion air can cause poisonous flue gases to enter living space, which could result in severe personal injury or death. **To prevent combustion air contamination, see Table 1.**

### **F. PREVENT COMBUSTION AIR CONTAMINATION**

Install intake piping for the boiler as described in the Venting section. Do not terminate exhaust in locations that can allow contamination of intake air.

**⚠ WARNING**

Ensure that the intake air will not contain any of the contaminants below. For example, do not pipe intake near a swimming pool. Avoid areas subject to exhaust fumes from laundry facilities. These areas always contain contaminants. Contaminated air will damage the boiler, resulting in possible substantial property damage, severe personal injury, or death.

| PRODUCTS TO AVOID   | AREAS LIKELY TO HAVE CONTAMINANTS              |
|---|--|
| Spray cans containing fluorocarbons                               | Dry cleaning/laundry areas and establishments  |
| Permanent wave solutions  | Swimming pools                                 |
| Chlorinated waxes/cleaners  | Metal fabrication plants                       |
| Chlorine-based swimming pool chemicals                            | Beauty shops                                   |
| Calcium chloride used for thawing                                 | Refrigeration repair shops                     |
| Sodium chloride used for water softening                          | Photo processing plants                        |
| Refrigerant leaks   | Auto body shops                                |
| Paint or varnish removers   | Plastic manufacturing plants                   |
| Hydrochloric or Muriatic acid                                     | Furniture refinishing areas and establishments |
| Cements and glues   | New building construction                      |
| Antistatic fabric softeners used in clothes dryers                | Remodeling areas                               |
| Chlorine-type bleaches, laundry detergents, and cleaning solvents | Garages and workshops                          |
| Adhesives used to fasten building products                        |  |

**Table 1**

**NOTE: DAMAGE TO THE BOILER CAUSED BY EXPOSURE TO CORROSIVE VAPORS IS NOT COVERED BY WARRANTY.**  
(Refer to the limited warranty for complete terms and conditions).

**G. REMOVING A BOILER FROM A COMMON VENT SYSTEM**

**⚠ DANGER**

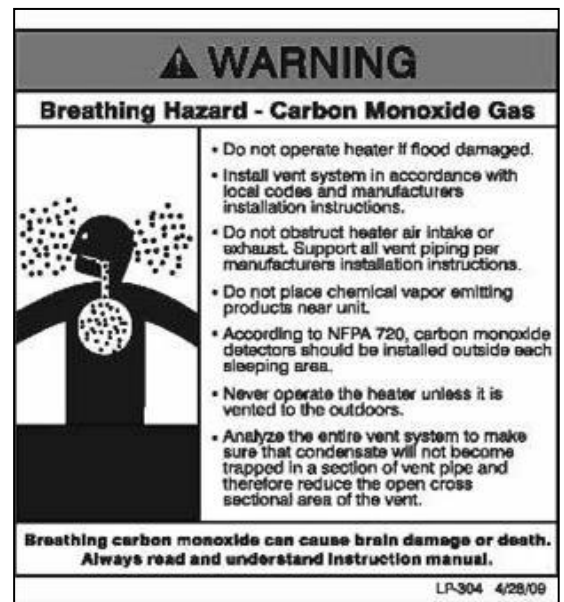
Do not install the boiler into a common vent with any other appliance. This will cause flue gas spillage or appliance malfunction, resulting in possible substantial property damage, severe personal injury, or death.

**⚠ DANGER**

Failure to follow all instructions can result in flue gas spillage and carbon monoxide emissions, causing severe personal injury or death.

When removing an existing boiler, the following steps must be followed.

1. Seal any unused openings in the common venting system.
2. Visually inspect the venting system for proper size and horizontal pitch to determine if there is blockage, leakage, corrosion or other deficiencies that could cause an unsafe condition.
3. If practical, close all building doors, windows and all doors between the common venting system and other spaces in the building. Turn on clothes dryers and any appliances not connected to the common venting system. Turn on any exhaust fans, such as range hoods and bathroom exhausts, at maximum speed. Do not operate a summer exhaust fan. Close all fireplace dampers.
4. Place in operation the appliance being inspected. Follow the lighting instructions. Adjust the thermostat so the appliance will operate continuously.
5. Test for spillage at the draft hood relief opening after 5 minutes of main burner operation. Use the flame of a match or candle or smoke from a cigarette.
6. After it has been determined that each appliance remaining connected to common venting system properly vents when tested as outlined, return doors, windows, exhaust fans, fireplace dampers and any other gas burning appliance to their previous condition of use.
7. Any improper operation of the common venting system should be corrected so the installation conforms to the National Fuel Gas Code, ANSI Z223.1. When resizing any portion of the common venting system, the common venting system should be resized to approach the minimum size as determined using the appropriate tables in Appendix G in the National Fuel Gas Code, ANSI Z 223.1.



**Figure 5 - CO Warning Label**



**H. UNCRATING THE BOILER****⚠ WARNING**

**UNCRATING BOILER** – Any claims for damage or shortage in shipment must be filed immediately against the transportation company by the consignee.

**CAUTION**

Cold weather handling – If boiler has been stored in a very cold location (below 0°F) before installation, handle with care until the plastic components come to room temperature.

Remove all sides of the shipping crate to allow the boiler to be lifted into its installation location. The boiler is also equipped with leveling feet that can be used to level the boiler properly on an uneven location surface. If surface flooring is rough, take care when sliding boiler into position, as you could catch the leveling feet and damage the boiler.

**PART 4 – BOILER PIPING****⚠ WARNING**

Failure to follow the instructions in this section WILL VOID the warranty and may result in property damage, serious injury, or death.

**CAUTION**

Never use dielectric unions or galvanized steel fittings when connecting to a stainless steel storage tank or boiler. Failure to follow this instruction can lead to premature failure of the boiler system. Such failures ARE NOT covered by warranty.

**⚠ WARNING**

The National Standard Plumbing Code, the National Plumbing Code of Canada, and the Uniform Plumbing Code limit heat transfer fluid pressure to less than the minimum working pressure of the potable water system up to 30 PSI maximum. In addition, the heat transfer fluid must be water or another non-toxic fluid having a toxicity of Class 1, as listed in Clinical Toxicology of Commercial Products, 5<sup>th</sup> Edition. Failure to follow this warning could result in property damage, severe personal injury, or death.

Plumbing of this product should only be done by a qualified, licensed plumber in accordance with all local plumbing codes. The boiler may be connected to an indirect water heater to supply domestic hot water. HTP offers indirect water heaters in a wide range of gallon sizes in either stainless steel or glass-lined construction.

**A. GENERAL PIPING INFORMATION****CAUTION**

The building piping system must meet or exceed the piping requirements in this manual.

**CAUTION**

Use two wrenches when tightening water piping at the boiler. Use one wrench to prevent the boiler return or supply line from turning. Failure to prevent piping connections from turning could cause damage to boiler components.

**CAUTION**

The control module uses temperature sensors to provide both high limit protection and modulating temperature control. The control module may also provide low water protection (through the addition of an optional kit) by sensing the water level in the heat exchanger. An optional flow switch may be installed on the supply of the system to activate the boiler when there is enough flow. Some codes/jurisdictions may require additional external controls.

**NOTE:** The addition of a high temperature limiting device is important if the boiler is to be connected to a domestic hot water system.

**B. RELIEF VALVE**

Connect discharge piping to a safe disposal location following the guidelines in the following statement.

**⚠ WARNING**

To avoid water damage or scalding due to relief valve operation:

- Discharge line must be connected to relief valve outlet and run to a safe place of disposal. Terminate the discharge line in a manner that will prevent possibility of severe burns or property damage should the relief valve discharge.
- Discharge line must be as short as possible and the same size as the valve discharge connection throughout its entire length.
- Discharge line must pitch downward from the valve and terminate at least 6" above the floor drain, making discharge clearly visible.
- Discharge line shall terminate plain, not threaded, with a material serviceable for temperatures of 375°F or greater.
- Do not pipe discharge to any location where freezing could occur.
- No shutoff valve may be installed between the relief valve and boiler or in the discharge line. Do not plug or place any obstruction in the discharge line.
- Test the operation of the relief valve after filling and pressurizing the system by lifting the lever. Make sure the valve discharges freely. If the valve fails to operate correctly, replace it with a new relief valve.
- Test relief valve at least once annually to ensure the waterway is clear. If valve does not operate, turn the boiler "off" **and call a plumber immediately.**
- Take care whenever operating relief valve to avoid scalding injury or property damage.
- For boilers installed with only a pressure relief valve, the separate storage vessel must have a temperature and pressure relief valve installed. This relief valve shall comply with *Relief Valves for Hot Water Supply Systems, ANSI Z21.22 CSA4.4.*

**FAILURE TO COMPLY WITH THE ABOVE GUIDELINES COULD RESULT IN FAILURE OF RELIEF VALVE OPERATION, RESULTING IN POSSIBILITY OF SUBSTANTIAL PROPERTY DAMAGE, SEVERE PERSONAL INJURY, OR DEATH.**

**⚠ DANGER**



**Water temperature over 125 degrees F. can cause severe burns instantly, or death from scalds. Children, disabled, and elderly are at highest risk of being scalded. See instruction manual before setting temperature at water heater. Feel water before bathing or showering! Temperature limiting valves are available. See chart below showing temperature burn rate.**



**C. BACKFLOW PREVENTER**

Use a backflow preventer specifically designed for hydronic boiler installations. This valve should be installed on the cold water fill supply line per local codes (see Piping Details, Section J).

**CAUTION**

All piping methods shown in this manual use primary/secondary connection to the boiler loop. This is to avoid the possibility of inadequate flow through the boiler. For other piping methods, consult your HTP representative or refer to separate Piping Details, Section J, in this manual.

**D. SYSTEM WATER PIPING METHODS**

**EXPANSION TANK AND MAKE-UP WATER**

1. Ensure that the expansion tank is designed and sized to correctly handle system water volume and temperature.

**⚠ WARNING**

Expansion tanks must be sized according to total system volume. This includes all length of pipe, all fixtures, boilers, etc. Failure to properly size system expansion could result in wasted time, money, and possible property damage, personal injury, or death.

**EXPANSION TANK SIZING**

|                 |             |
|-----------------|-------------|
| EL-80           | 1.4 Gallons |
| EL-110          | 1.7 Gallons |
| EL-150          | 2.0 Gallons |
| EL-220          | 2.6 Gallons |
| EL-299 / EL-301 | 3.1 Gallons |
| EL-399          | 3.7 Gallons |

Table 2

## CAUTION

Undersized expansion tanks cause system water to be lost from the relief valve, causing make-up water to be added. Eventual boiler failure can result due to excessive make-up water addition. **SUCH FAILURE IS NOT COVERED BY WARRANTY.**

2. The expansion tank must be located as shown in Part 4, Boiler Piping, or following recognized design methods. See expansion tank manufacturer's instructions for details.
3. Connect the expansion tank to the air separator only if the air separator is on the suction side of the circulator. Always install the system fill connection at the same point as the expansion tank connection to the system.
4. Most chilled water systems are piped using a closed type expansion tank.

## ⚠ CAUTION

**DO NOT** install automatic air vents on closed type expansion tank systems. Air must remain in the system and return to the tank to provide an air cushion. An automatic air vent would cause air to leave the system, resulting in improper operation of the expansion tank.

### DIAPHRAGM (OR BLADDER) EXPANSION TANK

Always install an automatic air vent on top of the air separator to remove residual air from the system.

### E. CIRCULATORS

## ⚠ CAUTION

**DO NOT** use the boiler circulator in any location other than the ones shown in this manual. The boiler circulator location is selected to ensure adequate flow through the boiler. Failure to comply with this caution could result in unreliable performance and nuisance shutdowns from insufficient flow.

### Sizing Space Heat System Piping

1. See Piping Details in this manual, Section G. In all diagrams, the space heating system is isolated from the boiler loop by the primary/secondary connection.
2. Size the piping and components in the space heating system using recognized design methods.

### F. HYDRONIC PIPING WITH CIRCULATORS, ZONE VALVES, AND MULTIPLE BOILERS

This boiler is designed to function in a closed loop hydronic system. We have included a temperature and pressure gauge that allows the user to monitor the system pressure and outlet temperature from the boiler. It is important to note that the boiler has a minimal amount of pressure drop that must be calculated when sizing the circulators. Unless the system has a closed type expansion tank, each boiler installation must have an air elimination device that will remove air from the system.

Install the boiler so the gas ignition system components are protected from water (dripping, spraying, etc.) Allow clearance for basic service of boiler circulator, valves and other components.

Observe the minimum 1" clearance around all uninsulated hot water pipes when openings around pipes are not protected by non-combustible materials.

On a boiler installed above radiation level, some states and local codes require a low water cut off device, which is an optional part available through HTP (Part # 7450P-225). Check with local codes for additional requirements. If the boiler supplies hot water to heating coils in air handler units, flow control valves or other devices must be installed to prevent gravity circulation of boiler water in the coils during the cooling cycle.

Chilled water medium must be piped in parallel with the boiler. Freeze protection for new or existing systems must use glycol that is specifically formulated for this purpose. Antifreeze must include inhibitors that will prevent the glycol from attacking the metallic system components. Make certain that the system fluid is checked for the correct glycol concentration and inhibitor level. The system should be tested at least once a year and as recommended by the producer of the glycol solution. Allowance should be made for the expansion of the glycol solution in the system piping. Example: 50% by volume glycol solution expands 4.8% in volume for a temperature increase from 32°F to 180°F, while water expands 3% with the same temperature rise.

### G. PIPING DETAILS\*

**\*NOTE:** Systems shown are primary/secondary piping systems. These recommended systems have a primary (boiler) loop, and secondary circuits for heating. The primary loop and secondary circuits have separate circulators. The use of other near boiler piping configurations could result in improper flow rates, leading to inadvertent boiler high limit shutdowns and poor system performance.

## CAUTION

Mixing valves are required for the protection of low temperature loops.

**NOTE:** In piping applications utilizing a single zone, it is recommended that the installer use flow / check valves with weighted seats at or near the appliance to prevent gravity circulation.

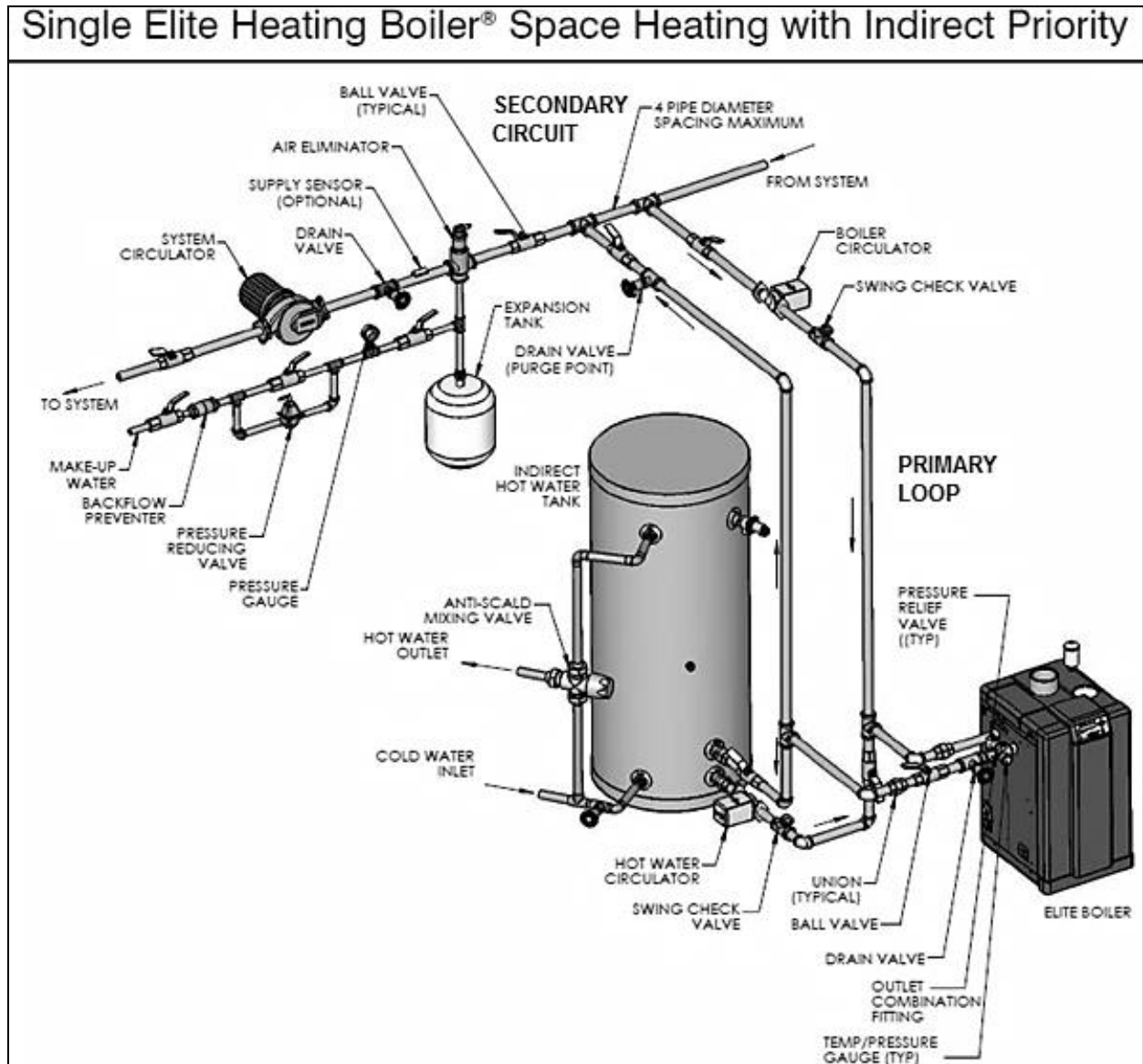


Figure 6 – LP-293-L

### NOTES:

1. This drawing is meant to show system piping concept only.
2. A mixing valve is recommended if the DHW temperature is set above 119°F.
3. Install a minimum of 12 diameters of straight pipe upstream of all circulators.
4. Piping shown is Primary/Secondary.
5. System flow (secondary loop) should be greater than the boiler primary loop flow. In all cases, the boiler primary loop flow rate must be maintained above the minimum flow rates published in this manual.
6. Installations must comply with all local codes.
7. In Massachusetts, a vacuum relief valve must be installed in the cold water line per 248 CMR.

# Cascade Multiple Elite Heating Boiler® with Indirect Priority on One Boiler

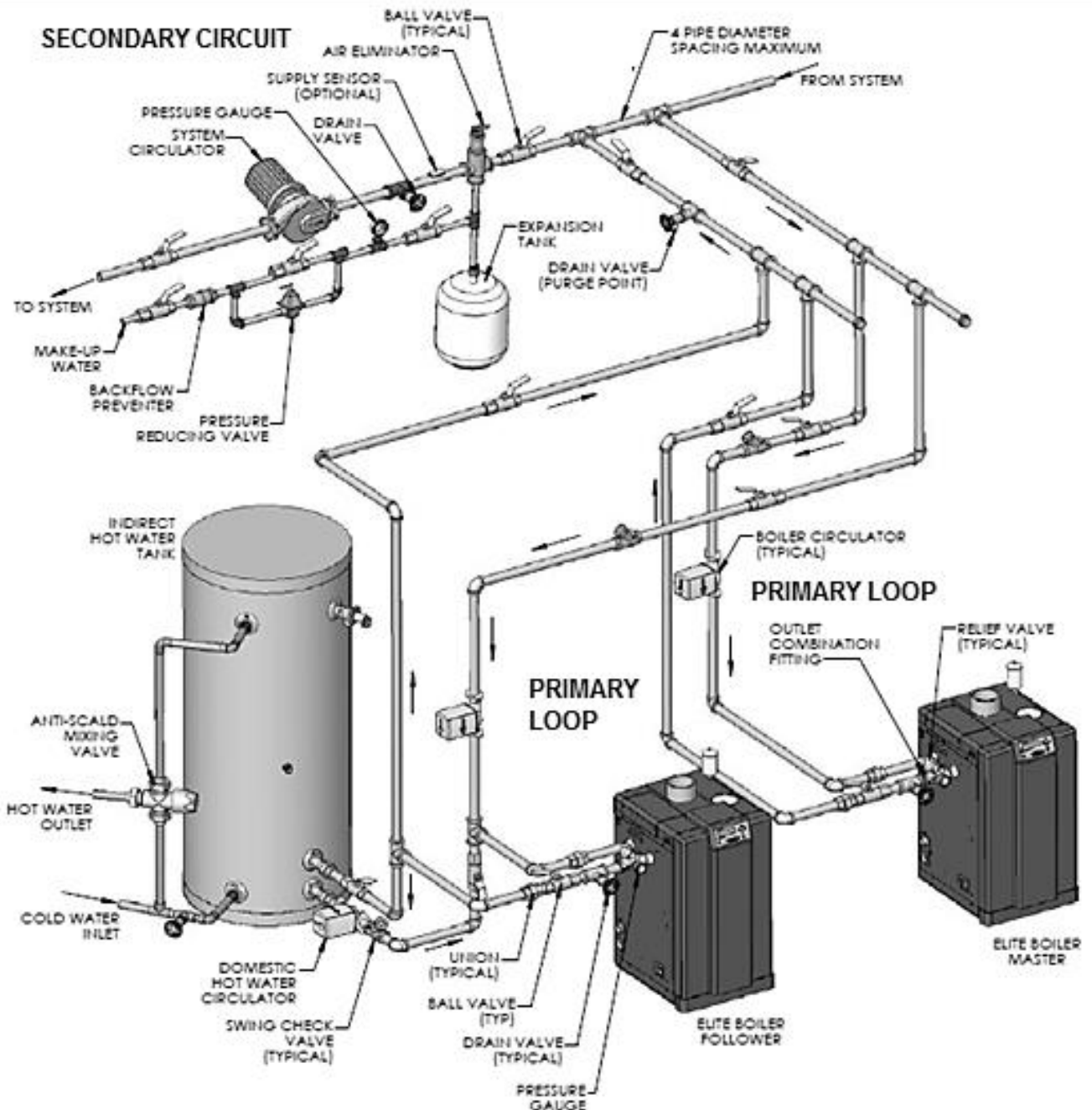


Figure 7 – LP-293-Q

## NOTES:

1. This drawing is meant to show system piping concept only.
2. A mixing valve is recommended if the DHW temperature is set above 119°F.
3. Install a minimum of 12 diameters of straight pipe upstream of all circulators.
4. Piping shown is Primary/Secondary.
5. System flow (secondary loop) should be greater than the boiler primary loop flow. In all cases, the boiler primary loop flow rate must be maintained above the minimum flow rates published in this manual.
6. Installations must comply with all local codes.
7. In Massachusetts, a vacuum relief valve must be installed in the cold water line per 248 CMR.
8. Reference Figure 10 to determine manifold pipe sizing.

# Single Elite Heating Boiler® Space Heating

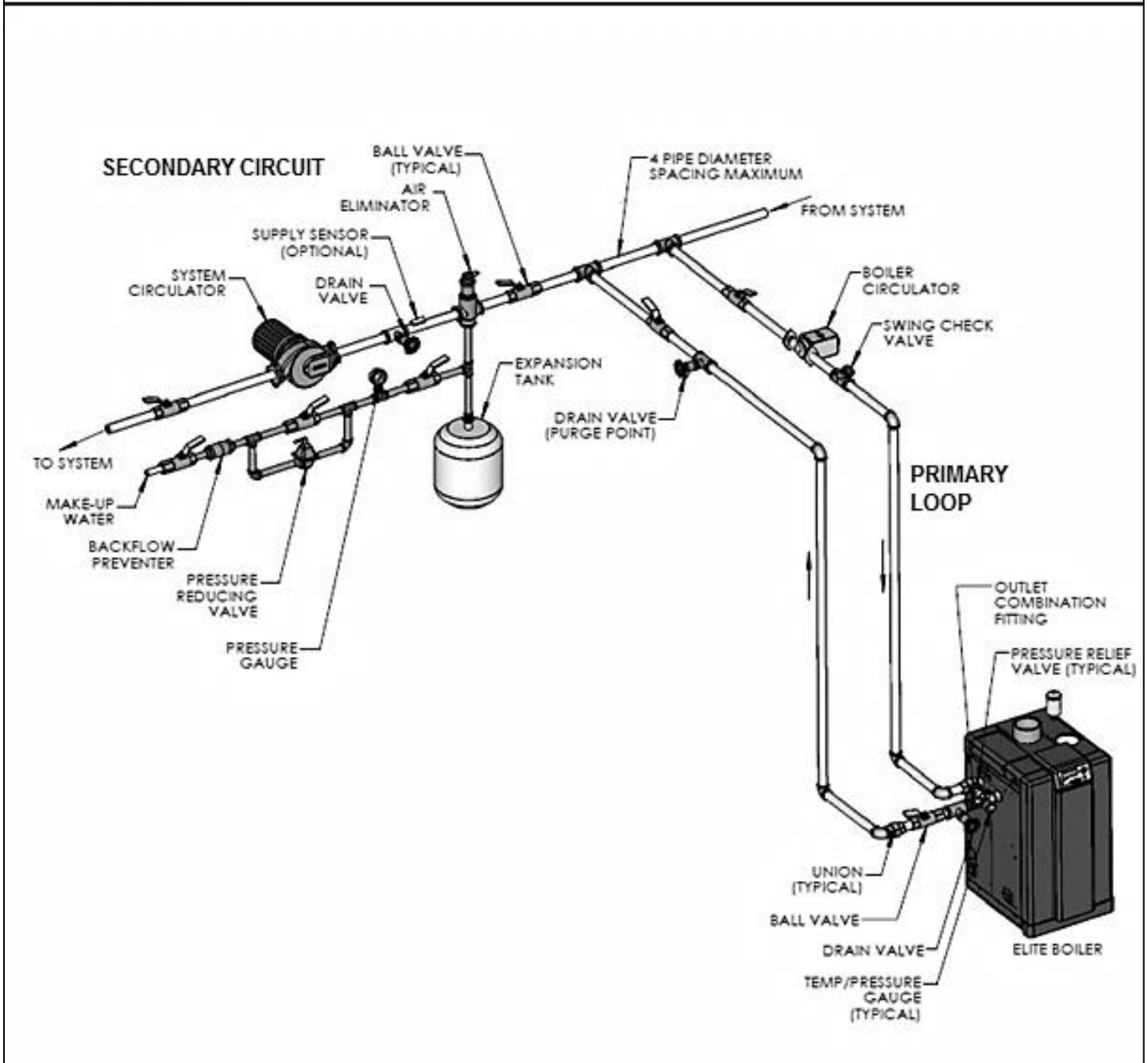


Figure 8 – LP-293-O

## NOTES:

1. This drawing is meant to show system piping concept only.
2. Install a minimum of 12 diameters of straight pipe upstream of all circulators.
3. Piping shown is Primary/Secondary.
4. System flow (secondary loop) should be greater than the boiler primary loop flow. In all cases, the boiler primary loop flow rate must be maintained above the minimum flow rates published in this manual.
5. Installations must comply with all local codes.

# Cascade Elite Heating Boilers® Space Heating Only

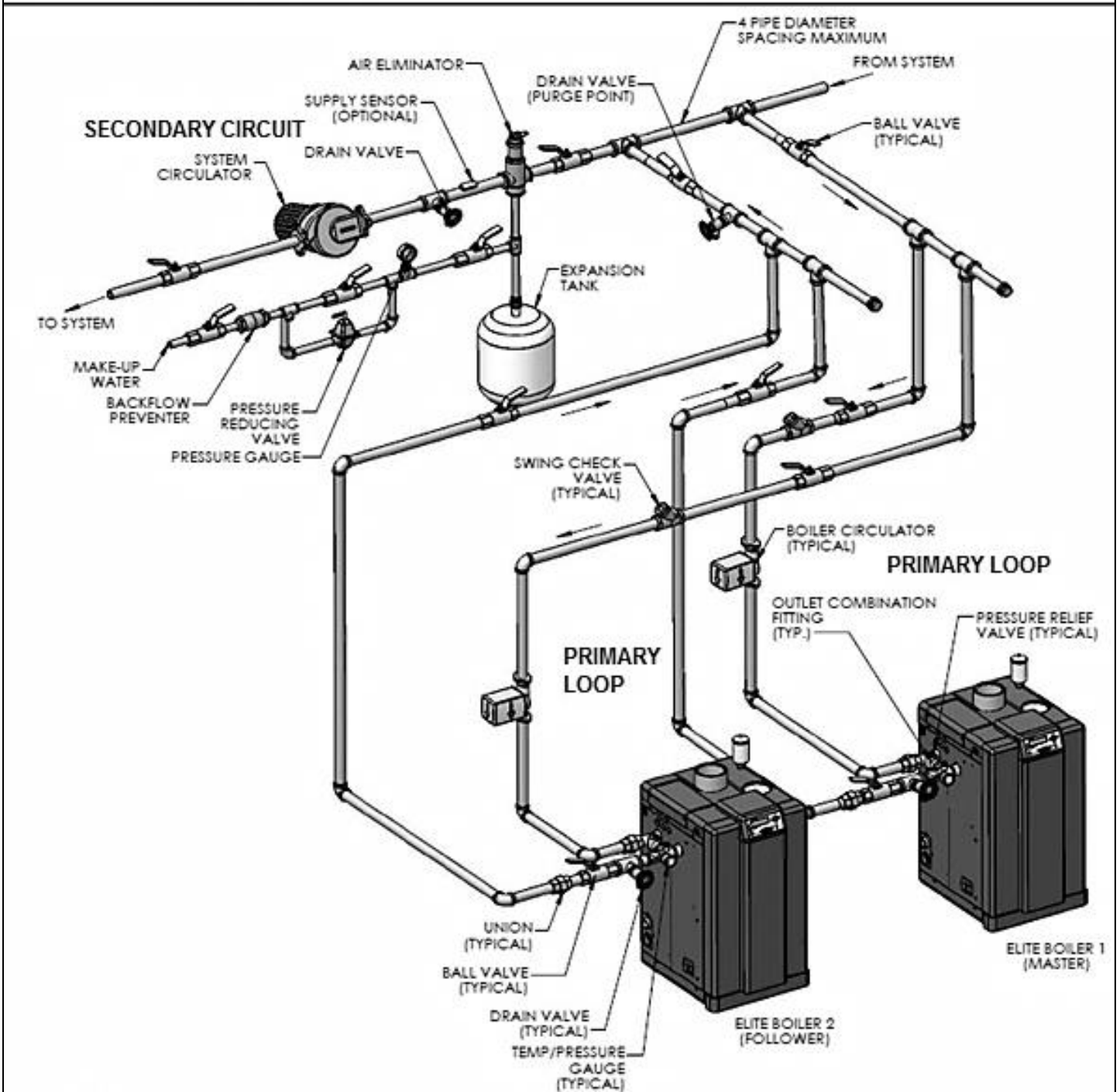


Figure 9 – LP-293-P

## NOTES:

1. This drawing is meant to show system piping concept only.
2. Install a minimum of 12 diameters of straight pipe upstream of all circulators.
3. Piping shown is Primary/Secondary.
4. System flow (secondary loop) should be greater than the boiler primary loop flow. In all cases, the boiler primary loop flow rate must be maintained above the minimum flow rates published in this manual.
5. Installations must comply with all local codes.

**H. PIPING INSTALLATION**

**⚠ CAUTION**

This boiler should not be operated as a potable hot water heater. It should not be used as a direct hot water heating device.

Basic steps are listed below that will guide you through the installation of the boiler.

1. Connect the system return marked “Boiler Return”.
2. Connect the system supply marked “Boiler Supply”.
3. Install a purge and balance valve or shut off valve and drain on the system return to purge air out of each zone.
4. Install a back flow preventer on the cold feed make-up water line.
5. Install a pressure reducing valve on the cold feed make-up water line (15 psi nominal on the system return). This boiler has a maximum working pressure of 160 psi. You may order a higher pressure relief valve kit from the factory. Check temperature and pressure gauge when operating. It should read a minimum pressure of 12 psi.
6. Install a circulator as shown in piping details (this section). Make sure the circulator is properly sized for the system and friction loss.
7. Install an expansion tank on the system supply (see Part 4, Section D for water volume). Consult the expansion tank manufacturer's instructions for specific information relating to expansion tank installation. Size the expansion tank for the required system volume and capacity.
8. Install an air elimination device on the system supply.
9. Install a drain valve at the lowest point of the system. NOTE: The boiler cannot be drained completely of water without purging the unit with an air pressure of 15 psi.
10. The relief valve and temperature and pressure gauge are included in the boiler accessory kit. A pipe discharge line should be installed 6” above the drain in the event of pressure relief. The pipe size must be the same size as the relief valve outlet. **NEVER BLOCK THE OUTLET OF THE SAFETY RELIEF VALVE.**

**I. CIRCULATOR SIZING**

In addition, the heat exchanger has a minimum total water volume that must be taken into account when sizing the circulator. Minimum flow rates are listed in the table below.

| MINIMUM BOILER FLOW RATES |                         |
|---------------------------|-------------------------|
| MODEL                     | MINIMUM FLOW RATE (GPM) |
| EL-80                     | 5.3                     |
| EL-110                    | 7.3                     |
| EL-150                    | 10                      |
| EL-220                    | 14.6                    |
| EL-299 / EL-301           | 20                      |
| EL-399                    | 26                      |

**Table 3 – Minimum Boiler Flow Rates**

The heat exchanger has a pressure drop that must be considered in your system design. Refer to Table 4 for pressure drop through the heat exchanger.

| HEAT EXCHANGER PRESSURE DROP CHART |                |       |       |       |        |        |        |        |        |        |        |        |        |        |        |        |        |
|------------------------------------|----------------|-------|-------|-------|--------|--------|--------|--------|--------|--------|--------|--------|--------|--------|--------|--------|--------|
| Model                              | Flow Rate Δ P' |       |       |       |        |        |        |        |        |        |        |        |        |        |        |        |        |
| Flow Rate                          | 6 GPM          | 7 GPM | 8 GPM | 9 GPM | 10 GPM | 11 GPM | 12 GPM | 13 GPM | 14 GPM | 15 GPM | 16 GPM | 17 GPM | 18 GPM | 19 GPM | 20 GPM | 21 GPM | 22 GPM |
| EL-80                              | 10'            | 14'   | 17'   | 21'   | 26'    | *      | *      | *      | *      | *      | *      | *      | *      | *      | *      | *      | *      |
| EL-110                             | *              | **    | 15'   | 17'   | 22'    | 25'    | 33'    | *      | *      | *      | *      | *      | *      | *      | *      | *      | *      |
| EL-150                             | *              | *     | *     | *     | 12'    | 15'    | 17'    | 19'    | 22'    | 27'    | *      | *      | *      | *      | *      | *      | *      |
| EL-220                             | *              | *     | *     | *     | *      | *      | *      | *      | *      | 8'     | 10'    | 11.5'  | 13'    | 15'    | 16.5'  | 17'    | 19'    |
| EL-299<br>EL-301                   | *              | *     | *     | *     | *      | *      | *      | *      | *      | *      | *      | *      | *      | *      | 13'    | 14'    | 15'    |
| EL-399                             | *              | *     | *     | *     | *      | *      | *      | *      | *      | *      | *      | *      | *      | *      | *      | *      | *      |



| Flow Rate        | 23 GPM | 24 GPM | 25 GPM | 26 GPM | 27 GPM | 28 GPM | 29 GPM | 30 GPM | 31 GPM | 32 GPM | 33 GPM | 34 GPM | 35 GPM | 36 GPM | 37 GPM | 38 GPM | 39 GPM |
|------------------|--------|--------|--------|--------|--------|--------|--------|--------|--------|--------|--------|--------|--------|--------|--------|--------|--------|
| EL-80            | *      | *      | *      | *      | *      | *      | *      | *      | *      | *      | *      | *      | *      | *      | *      | *      | *      |
| EL-110           | *      | *      | *      | *      | *      | *      | *      | *      | *      | *      | *      | *      | *      | *      | *      | *      | *      |
| EL-150           | *      | *      | *      | *      | *      | *      | *      | *      | *      | *      | *      | *      | *      | *      | *      | *      | *      |
| EL-220           | 21'    | 23'    | 24'    | *      | *      | *      | *      | *      | *      | *      | *      | *      | *      | *      | *      | *      | *      |
| EL-299<br>EL-301 | 16.5'  | 18'    | 20'    | 22'    | 24'    | 26'    | 29'    | 33'    | 36'    | *      | *      | *      | *      | *      | *      | *      | *      |
| EL-399           | *      | *      | *      | 12.9'  | 13.6'  | 14'    | 15.7'  | 17'    | 18'    | 19.4'  | 21'    | 22.5'  | 26'    | 28'    | 31'    | 34'    | 39'    |

**Table 4 – NOTE: \*Do not operate boiler at these flow settings as it will damage the heat exchanger or related components.**

The chart below represents the various system design temperature rise through the boiler along with their respective flows and friction loss, which will aid in circulator selection.

| SYSTEM TEMPERATURE RISE CHART |               |           |               |           |               |           |
|-------------------------------|---------------|-----------|---------------|-----------|---------------|-----------|
| Model                         | 20°Δt         |           | 25°Δt         |           | 30°Δt         |           |
|                               | Ft / Friction | Flow Rate | Ft / Friction | Flow Rate | Ft / Friction | Flow Rate |
| EL-80                         | 17'           | 8 GPM     | 10'           | 6.6 GPM   | 7'            | 5.3 GPM   |
| EL-110                        | 25'           | 11 GPM    | 17'           | 9.1 GPM   | 12'           | 7.3 GPM   |
| EL-150                        | 27'           | 15 GPM    | 17'           | 12.5 GPM  | 12'           | 10 GPM    |
| EL-220                        | 19'           | 22 GPM    | 13'           | 18.3 GPM  | 12'           | 14.6 GPM  |
| EL-299<br>EL-301              | 29'           | 29 GPM    | 18'           | 24.5 GPM  | 13'           | 20 GPM    |
| EL-399                        | 39'           | 39 GPM    | 19'           | 32.5 GPM  | 13'           | 26 GPM    |

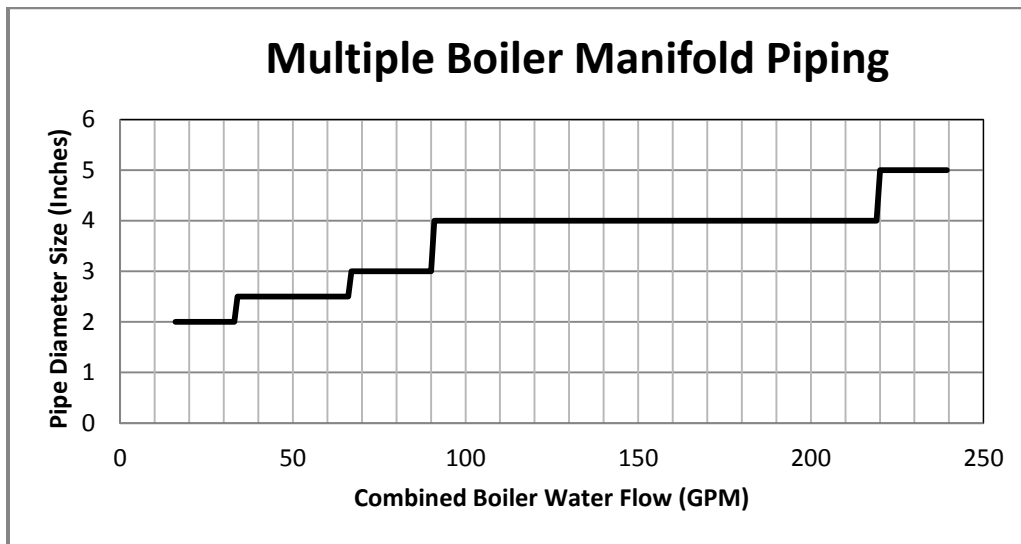
**Table 5**

The chart on the following page represents the combined flow rates and pipe sizes when using multiple boilers to design the manifold system for the primary circuit. To size, simply add up the number of boilers and the required flow rates for the system design temperature.

Example: (5) EL-220 Boilers® with a design of 20°Δt degree temperature rise with each boiler having an individual flow rate of 22 GPM. To correctly size the manifold feeding these (5) boilers you would need a pipe size of 4”.

| MULTIPLE BOILER MANIFOLD PIPING |    |    |    |    |    |    |    |    |    |    |    |    |    |    |    |    |    |    |    |     |     |
|---------------------------------|----|----|----|----|----|----|----|----|----|----|----|----|----|----|----|----|----|----|----|-----|-----|
| Flow Rate (GPM)                 | 16 | 22 | 24 | 30 | 32 | 33 | 40 | 44 | 45 | 48 | 50 | 55 | 60 | 66 | 75 | 80 | 85 | 88 | 90 | 100 | 110 |
| Pipe Dia. (Inches)              | 2  | 2  | 2  | 2  | 2  | 2½ | 2½ | 2½ | 2½ | 2½ | 2½ | 2½ | 2½ | 2½ | 3  | 3  | 3  | 3  | 3  | 3   | 4   |

**Table 6**



**Figure 10**

| MULTIPLE BOILER MANIFOLD PIPING |     |     |     |     |     |     |     |     |     |     |     |     |     |     |     |     |     |     |     |     |  |
|---------------------------------|-----|-----|-----|-----|-----|-----|-----|-----|-----|-----|-----|-----|-----|-----|-----|-----|-----|-----|-----|-----|--|
| Flow Rate (GPM)                 | 120 | 132 | 150 | 160 | 170 | 179 | 200 | 210 | 239 | 240 | 250 | 255 | 300 | 340 | 350 | 400 | 425 | 510 | 595 | 680 |  |
| Pipe Dia. (In.)                 | 4   | 4   | 4   | 4   | 4   | 4   | 4   | 4   | 5   | 5   | 5   | 5   | 5   | 5   | 5   | 5   | 5   | 6   | 6   | 6   |  |

**Table 7**

## **J. CHECK/CONTROL WATER CHEMISTRY**

**NOTE: BOILER FAILURE DUE TO IMPROPER WATER CHEMISTRY IS NOT COVERED BY WARRANTY.**

### **Sodium less than 20 mGL**

#### **Water pH between 6.0 and 8.0**

1. Maintain boiler water pH between 6.0 and 8.0. Check with litmus paper or have chemically analyzed by water treatment company.
2. If pH differs from above, consult local water treatment company for treatment needed.

#### **Hardness less than 7 grains**

Consult local water treatment companies for unusually hard water areas (above 7 grains hardness).

#### **Chlorine concentration less than 100 ppm**

1. Filling with chlorinated fresh water should be acceptable since drinking water chlorine levels are typically less than 5 ppm.
2. Do not use the boiler to directly heat swimming pool or spa water.
3. Do not fill boiler or operate with water containing chlorine in excess of 100 ppm.

**Hardness:** 7 grains

**Chloride levels:** 100 ppm

**pH levels:** 6-8

**TDS:** 2000 ppm

**Sodium:** 20 mGL

#### **Clean system to remove sediment\***

1. You must thoroughly flush the system (without boiler connected) to remove sediment. The high-efficiency heat exchanger can be damaged by buildup or corrosion due to sediment.
2. For zoned systems, flush each zone separately through a purge valve. (If purge valves and isolation valves are not already installed, install them to properly clean the system.)
3. Flush system until water runs clean and you are sure piping is free of sediment.

**\*NOTE:** It is recommended you clean heat exchanger at least once a year to prevent lime scale buildup. Follow the maintenance procedure to clean the heat exchanger in the Maintenance Section (Part 12 of this manual).

#### **Test/replace freeze protection fluid**

1. For systems using freeze protection fluids, follow fluid manufacturer's instructions to verify inhibitor level and that other fluid characteristics are satisfactory.
2. Freeze protection fluid must be replaced periodically due to degradation of inhibitors over time. Follow all fluid manufacturer instructions.

### **Piping components**

#### **Heating system piping:**

Water boiler system piping **MUST** be sized per technical pipe requirements listed in Table 6 and Table 7. Reducing pipe size can restrict flow rate through the water boiler, causing inadvertent short cycling and poor system performance.

#### **Check valves:**

Field supplied. Check valves are recommended for installation as shown in Piping Details.

#### **Water boiler isolation valves:**

Field supplied. Full port ball valves are required. Failure to use full port ball valves could result in a restricted flow rate through the water boiler.

#### **Mixing valve:**

Field supplied. A mixing valve is recommended when storing domestic hot water above 115°F.

#### **Unions:**

Field supplied: Recommended for unit serviceability. **DO NOT USE DIELECTRIC UNIONS!  
ONLY BRASS, COPPER, OR STAINLESS STEEL.**

**Pressure relief valve:**

Factory supplied on Boiler. The pressure relief valve is sized to ASME specifications. Storage tank may require additional relief valves depending on local codes.

| <b>MINIMUM PIPE SIZES</b> |                    |
|---------------------------|--------------------|
| EL 80/110/150/220         | 1" NPT or Copper   |
| EL 299/301                | 1 ¼" NPT or Copper |
| EL 399                    | 1 ½" NPT or Copper |

**Table 8****K. FILL AND PURGE HEATING SYSTEM**

1. Attach the hose to balance and purge hose connector or drain valve and run hose to nearest drain.
2. Close the other side of the balance and purge valve or shut off valve after the drain.
3. Open the first zone balance and purge or drain valve to let water flow out of the hose. If zone valves are used, open the valves one at a time manually. NOTE: You should check zone valve manufacturer's instructions prior to opening valves manually, so as not to damage the zone valve.
4. Manually operate fill valve regulator. When water runs out of the hose, you will see a steady stream without bubbles. Close the balance and purge valve or drain to stop the water from flowing. Disconnect the hose and connect it to next zone to be purged.
5. Repeat this procedure for additional zones (one at a time).

** CAUTION**

For installations that incorporate standing iron radiation and systems with manual vents at the high points, follow the previous section and, starting with the nearest manual air vent, open the vent until water flows out. Then close the vent. Repeat the procedure, working your way toward the furthest air vent. It may be necessary to install a basket strainer in an older system where larger amounts of sediment may be present. Annual cleaning of the strainer may be necessary.

Upon completion, make sure that the fill valve and zone valves are in automatic positions. You must also assure the purge and shut off valves are in open positions.

**L. GLYCOL ANTIFREEZE SOLUTIONS**** WARNING**

Use only inhibited propylene glycol solutions which are specially formulated for hydronic systems. Ethylene glycol is toxic and can attack gaskets and seals used in hydronic systems. Glycol mixtures should not exceed 50%.

- Glycol in hydronic applications should include inhibitors that prevent the glycol from attacking metallic system components. Make certain that the system fluid is checked for the correct glycol concentration and inhibitor level.
- The glycol solution should be tested at least once a year or as recommended by the glycol manufacturer.
- Anti-freeze solutions expand more than water. For example: A 50% by volume solution expands 4.8% in volume for a temperature increase from 32°F to 180°F, while water expands 3% over the same temperature rise. Allowances must be made in system design for expansion.
- A 30% mixture of glycol will result in a BTU output loss of 15% with a 5% increase in head against the system circulator.
- A 50% mixture of glycol will result in a BTU output loss of 30% with a 50% increase in head against the system circulator.

** CAUTION**

It is highly recommended that you carefully follow the glycol manufacturer's recommended concentrations, expansion requirements, and maintenance recommendations (pH additive breakdown, inhibitor reduction, etc.) You must carefully calculate the additional friction loss in the system as well as the reduction in heat transfer coefficients.

**M. ZONING WITH ZONE VALVES**

1. When zoning with zone valves, connect the boiler to the system as shown in Piping Details, Part 4, Section G. The primary/secondary piping shown ensures the boiler loop will have sufficient flow. It also avoids applying the high head of the boiler circulator to the zone valves.
2. Connect DHW (domestic hot water) piping to indirect storage water heater as shown in Piping Details.

**N. ZONING WITH CIRCULATORS**

1. When using circulator zoning, connect the boiler to the system as shown in Piping Details, Part 4, Section G. **NOTE:** The boiler circulator cannot be used for a zone. It must only supply the boiler loop.
2. Install a separate circulator for each zone.
3. Connect DHW (domestic hot water) piping to indirect storage water heater as shown in Piping Details.

**O. MULTIPLE BOILERS**

1. Connect multiple boilers as shown in Piping Details, Part 4, Section G.
2. All piping shown is reverse return to assure balanced flow throughout the connected boilers.
3. Each connected boiler must have its own circulator pump to assure adequate flow.
4. Connect DHW (domestic hot water) piping to indirect storage water heater as shown in Piping Details.
5. The system flow (secondary loop) must be greater than the boiler's primary loop flow.

**PART 5 – VENTING, COMBUSTION AIR, AND CONDENSATE REMOVAL**** DANGER**

The boiler must be vented as detailed in this Venting Section. Ensure exhaust vent and intake piping complies with these instructions regarding vent system. Inspect finished exhaust vent and intake piping thoroughly to ensure all joints are well secured, airtight, and comply with all applicable code requirements, as well as with the instructions provided in this manual. Failure to properly install the vent system will result in property damage, severe personal injury, or death.

**A. GENERAL**** DANGER**

This boiler is certified as a "Category IV" appliance, and requires a special venting system. The vent system will operate with a positive pressure in the pipe. Exhaust gases must be piped directly outdoors using the vent materials and rules outlined in these instructions. Do not connect vent connectors serving appliances vented by natural draft into any portion of mechanical draft systems operating under positive pressure. Follow the venting instructions below carefully. Failure to do so will result in substantial property damage, severe personal injury, or death.

1. Installation should be made in accordance with the regulations of the Authority Having Jurisdiction, local code authorities, and utility companies which pertain to this type of water heating equipment.
2. Install the venting system in accordance with these instructions and with the National Fuel Gas Code, ANSI Z223.1/NFPA 54, CAN/CGA B149, and/or applicable provisions of local building codes.
3. This boiler must be vented with materials, components, and systems listed and approved for Category IV boilers.

** DANGER**

Exhaust vent and intake pipes are to be piped separately. This boiler cannot share a common exhaust or intake with multiple appliances. Failure to follow this instruction will result in substantial property damage, severe personal injury, or death.

**NOTE:** To avoid contamination often contained in indoor air, it is best to pipe all intake combustion air directly to the outdoors.

**NOTE:** If exhaust vent pipe system passes through an unheated space, such as an alcove or attic, the space must be heated or the pipe must be insulated. The insulation must have an R value sufficient to prevent freezing of the condensate.

** WARNING**

Improper seating of vent pipe gaskets can cause eventual gasket failure and exhaust gas leakage. Ensure the exhaust vent pipe is properly beveled and seated before insertion into the flue adapter. Failure to do so could result in property damage, severe personal injury, or death.

**⚠ DANGER**

Due to the extreme flammability of most glues, cements, solvents, and primers used to join plastic exhaust vent and intake pipes, explosive solvent vapors must be cleared from all vent piping before start-up. Avoid using excess cement or primer, as this may pool in the vent pipes. Vent assemblies should be allowed to cure for a period of at least 8 hours before powering a connected appliance. Failure to follow these instructions will result in substantial property damage, severe personal injury, or death. It is the installers' responsibility to understand the hazards associated with explosive solvents and take the necessary precautions to avoid these risks.

**B. APPROVED MATERIALS FOR EXHAUST VENT AND INTAKE PIPE**

| APPROVED EXHAUST VENT AND INTAKE PIPE MATERIAL |                         |   |   |
|--|-------------------------|---|---|
| Item   | Material                | Standards for Installation in:                              |   |
|  |                         | United States   | Canada  |
| Exhaust vent or Intake pipe and fittings       | PVC schedule 40/80      | ANSI/ASTM D1785   | PP, CPVC, and PVC venting must be ULC-S636 Certified. IPEX is an approved manufacturer in Canada, supplying vent material listed to ULC-S636. |
|  | PVC-DWV*                | ANSI/ASTM D2665*  |   |
|  | CPVC schedule 40/80     | ANSI/ASTM F441  |   |
|  | Polypropylene           | ULCS636   | Certified for Category IV and direct vent appliance venting   |
|  | Stainless Steel AL29-4C | Certified for Category IV and direct vent appliance venting |   |
| Pipe cement/primer                             | PVC                     | ANSI/ASTM D2564   | IPEX System 636 Cements & Primers   |
|  | CPVC                    | ANSI/ASTM F493  |   |

**⚠ DANGER**

- The exhaust and intake components installed with this boiler must be used for near boiler piping BEFORE transitioning to the approved materials listed above. DO NOT REMOVE these installed components. Doing so WILL VOID appliance warranty.
- PVC/CPVC pipe and fittings of the same diameter are considered interchangeable.
- Do NOT use Foam Core Pipe in any portion of the exhaust piping from this boiler.
- DO NOT connect PVC/CPVC to PP without an approved vent connector.
- When installing AL29-4C vent piping, install a PVC-to-stainless adapter at the boiler vent connection, and at the termination when using an HTP PVC termination kit. DO NOT mix AL-29-4C piping from different manufacturers unless using adapters specifically designed for the purpose by the manufacturer.
- \*PVC-DWV for air intake applications ONLY.

Failure to follow these directions will result in substantial property damage, severe personal injury, or death.

**Table 9 – Approved Materials for Exhaust Vent and Intake Pipe**

**⚠ WARNING**

Exhaust vent and intake adaptors are not designed as load-bearing devices, and must not be used to support exhaust vent and intake piping. All vent pipes must be glued, properly supported, and the exhaust must be pitched a minimum of 1/4" per foot back to the boiler to allow drainage of condensate. Failure to properly support vent piping and follow the information in this statement could result in product damage, severe personal injury, or death.

**NOTE:** The use of double-wall vent or insulated material for the combustion air inlet pipe is recommended in cold climates to prevent the condensation of airborne moisture in the incoming combustion air.

**CAUTION**

High heat sources (sources generating heat 100°F / 37°C or greater, such as stove pipes, space heaters, etc.) may damage plastic components of the boiler as well as plastic vent pipe materials. Such damages ARE NOT covered by warranty. It is recommended to keep a minimum clearance of 8" from high heat sources. Observe heat source manufacturer instructions, as well as local, state, provincial, and national codes, laws, regulations and ordinances when installing this boiler and related components near high heat sources.


**C. REQUIREMENTS FOR INSTALLATION IN CANADA**

1. Installations must be made with a vent pipe system certified to ULC-S636. IPEX is an approved vent manufacturer in Canada supplying vent material listed to ULC-S636. Additionally you may use AL29-4C stainless steel venting to comply with Canadian requirements.

2. The first three (3) feet of vent pipe from the appliance flue outlet must be readily accessible for visual inspection.

**⚠ WARNING**

**Breathing Hazard - Carbon Monoxide Gas**



- Do not operate heater if flood damaged.
- Install vent system in accordance with local codes and manufacturers installation instructions.
- Do not obstruct heater air intake or exhaust. Support all vent piping per manufacturers installation instructions.
- Do not place chemical vapor emitting products near unit.
- According to NFPA 720, carbon monoxide detectors should be installed outside each sleeping area.
- Never operate the heater unless it is vented to the outdoors.
- Analyze the entire vent system to make sure that condensate will not become trapped in a section of vent pipe and therefore reduce the open cross sectional area of the vent.

**Breathing carbon monoxide can cause brain damage or death. Always read and understand instruction manual.**

LP-304 4/28/09

3. The components of the certified vent system must not be interchanged with other vent systems or unlisted pipe / fittings.

Cellular foam core piping may be used on air inlet piping **only**.

**NOTE:** The use of double-wall vent or insulated material for the air inlet is recommended in cold climates to prevent the condensation of airborne moisture in the incoming combustion air.

## ⚠ DANGER

You must not use "B" vent in an exhaust application. "B" vent is for intake applications **ONLY**. Using "B" vent in an exhaust application will result in serious injury or death.

### D. EXHAUST VENT AND INTAKE PIPE LOCATION

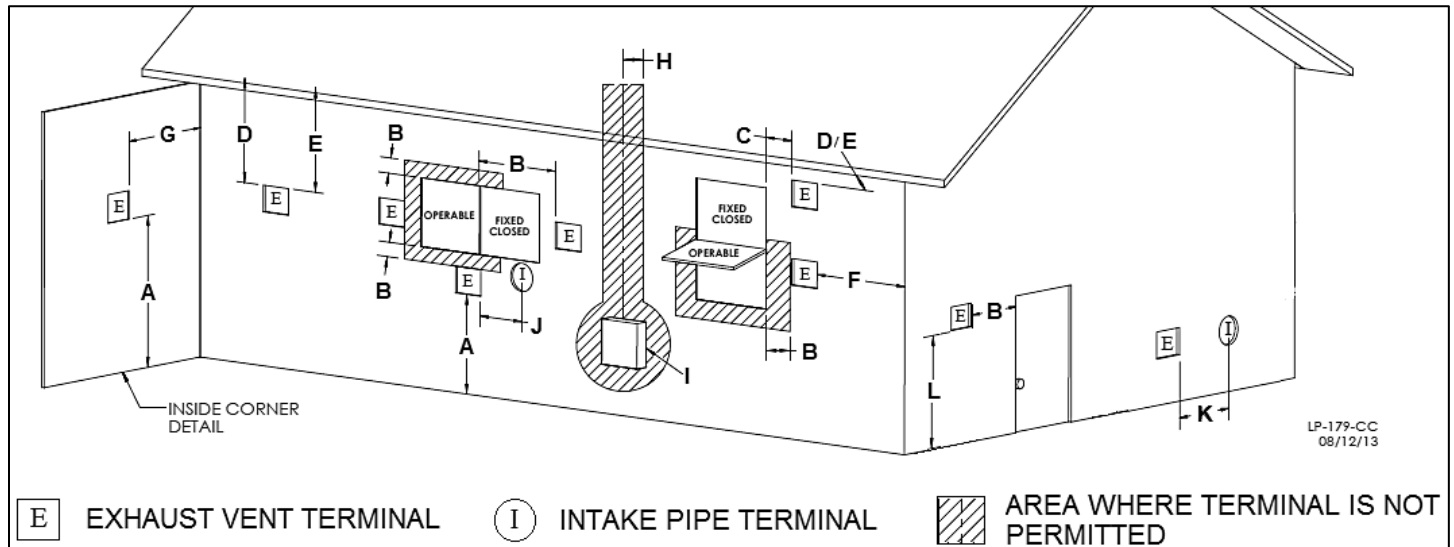


Figure 11 – ANSI Z223.1 / NFPA 54 for US and CAN/CSA B149.1 for Canada – Exit Terminals for Direct-Vent Venting Systems

#### DETERMINE EXHAUST VENT AND INTAKE PIPE LOCATION – FIGURE 11 NOTES:

- A.** Provide a minimum of 1 foot clearance from the bottom of the exhaust vent and intake pipe above the expected snow accumulation level. Snow removal may be necessary to maintain clearance.
- B.** Provide a minimum of 1 foot distance from exhaust vent termination to any door, operable window, or gravity intake into any building.
- C.** Provide a minimum of 1 foot distance from exhaust vent termination to any permanently closed door or window.
- D.** Provide a minimum of 4 feet vertical clearance from the exhaust vent to all roof overhangs.
- E.** Locating exhaust vent termination near roof overhangs will result in the formation of icicles in freezing weather, and could result in blockage of the exhaust vent. To prevent icicles from forming, maintain 4 feet vertical clearance from the exhaust vent to all roof overhangs.
- F.** Provide 4 feet clearance from the outside corner of vertical walls, chimneys, etc., as well as horizontal corners created by roof overhangs.
- G.** Provide 6 feet clearance from the inside corner of vertical walls, chimneys, etc., as well as horizontal corners created by roof overhangs.
- H.** Provide 4 feet clearance from center line within a height of 15 feet above electrical meters, gas meters, gas regulators, relief equipment, exhaust fans and inlets.
- I.** Provide 4 feet horizontal clearance from electrical meters, gas meters, gas regulators, relief equipment, exhaust fans and inlets. In no case shall the exit terminal be above or below the aforementioned equipment unless the 4 foot horizontal distance is maintained.
- J.** This water heater vent system shall terminate at least 3 feet (0.9 m) above any forced air intake located within 10 ft (3 m).
- NOTE:** This does not apply to the combustion air intake of a direct-vent appliance.
- K.** When venting with a two pipe system, maximum distance between exhaust vent and intake pipe is 6 feet (1.8 m). Minimum distance between exhaust vent and intake pipe on single direct vented appliance is 10" (0.255 m) center-to-center. Minimum distance between exhaust vents and intake pipes on multiple water heaters is 10" (0.255 m) center-to-center.
- L.** When adjacent to a public walkway, locate exit terminal at least 7 feet above grade.

In addition:

- Total length of vent piping shall not exceed the limits specified in this manual.
- The vent piping for this direct vented appliance is approved for zero clearance to combustible construction.
- The flue products coming from the exhaust vent will create a large plume when the boiler is in operation. Avoid venting in areas that will affect neighboring buildings or be considered objectionable.
- DO NOT locate exhaust vent or intake pipe in a parking area where machinery may damage the pipe.

- DO NOT locate the exhaust vent or intake pipe terminals under a porch, balcony, or veranda.
- Avoid terminating exhaust vents near shrubs, air conditioners, or other objects that will obstruct the exhaust stream.
- DO NOT vent over a public walkway. Condensate could drip or freeze and create a nuisance or hazard.

**NOTE:** Due to potential moisture build-up, sidewall venting may not be the preferred venting option. Carefully consider venting installation and location to save time and cost.

### **WARNING**

You must insert the provided exhaust and intake screens at your vent termination to prevent blockage caused by debris or birds.

### **WARNING**

The building owner is responsible for keeping the exhaust and intake terminations free of snow, ice, or other potential blockages, as well as scheduling routine maintenance. Failure to keep the vent piping terminations clear and properly maintain the boiler could result in property damage, severe personal injury, or death.

### **WARNING**

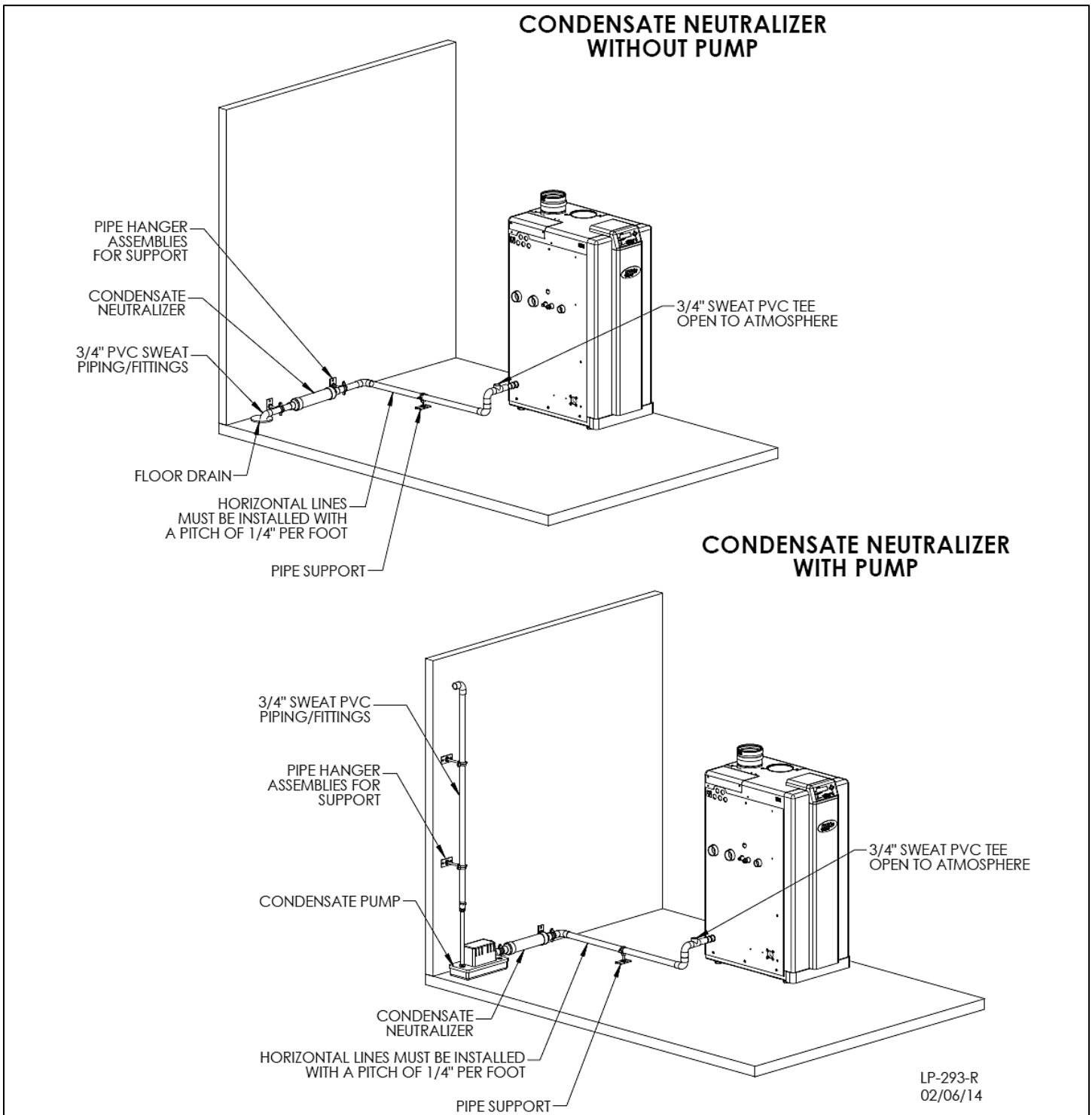
For each floor containing bedroom(s), a carbon monoxide detector and alarm shall be placed in the living area outside the bedrooms, as well as in the room that houses the boiler. Detectors and alarms shall comply with NFPA 720 (latest edition). Failure to comply with requirements for detectors and alarms could result in property damage, severe personal injury, or death.

#### **DETERMINE LOCATION OF CONDENSATE PIPING**

This boiler is a high efficiency appliance, and therefore produces condensate: a by-product of the combustion process. A condensate collection system with an internal float switch monitors the condensate level to prevent it from backing up into the combustion system. There is a 1/2" socket connection provided to connect the outlet of the collection system to a drain or condensate pump.

#### **CONDENSATE NEUTRALIZATION**

Condensate from the boiler is slightly acidic with a pH of 3.2 - 4.5. To avoid long term damage to the drainage system and to meet local code requirements, HTP recommends neutralizing the condensate with a Condensate Neutralizer Kit (Part # 7450P-212 for EL-80/110/150/220/299/301, Part # 7350P-611 for EL-399). The neutralizer kit connects to the drain system and contains limestone chips that neutralize the pH level of the water vapor. The neutralizer kit should be checked annually and the limestone chips replenished if necessary. When replacing the limestone chips, take care to ensure chips are no smaller than 1/2" to avoid blockage in condensate piping (refer to Figure 12 for piping of the condensate neutralizer.)



**Figure 12 – Condensate Piping**

**NOTES:**

1. Condensate line must be pitched at least 1/4" per foot to properly drain. If this cannot be done, or a very long length of condensate hose is used, you must increase the condensate line to a minimum of 1" ID and place a tee in the line after the condensate neutralizer to properly reduce vacuum lock in the drain line.
2. Plastic pipe should be the only material used for the condensate line. Steel, brass, copper, or other materials will be subject to corrosion or deterioration.
3. NEVER install condensate lines outside. It is very important that the condensate line is not exposed to freezing temperatures or any type of blockage. Damages due to frozen or blocked condensate lines ARE NOT covered by warranty.
4. Support of the condensate line may be necessary to avoid blockage of the condensate flow.

**NOTE:** To clean out condensate trap, see Maintenance section.



**⚠ WARNING**

When servicing is complete, you must make sure this cap is replaced securely. Failure to do so will cause venting issues that will result in serious injury or death.

**CAUTION**

When installing a condensate pump, select one approved for use with condensing boilers and furnaces. The pump should have an overflow switch to prevent property damage from condensate spillage.

**CAUTION**

It is very important that the condensate piping be no smaller than 1/2". You must use a tee at the condensate connection with a branch vertically up and open to the atmosphere, so as not to cause a vacuum that could obstruct the flow of condensate from the boiler. To prevent sagging and maintain pitch, condensate piping should be supported with pipe supports.

**CAUTION**

The condensate line must remain unobstructed, allowing free flow of condensate. If condensate freezes in the line, or if line is obstructed in any other manner, condensate can exit from the tee, resulting in potential water damage to property.

**NOTE:** To allow for proper drainage on larger horizontal condensate runs, tubing size may need to increase to 1 inch and a second line vent may be required.

**E. EXHAUST VENT AND INTAKE PIPE SIZING**

1. The exhaust vent and intake pipe are 3" for the Elite EL-80/110/155/220 and 4" for the EL-299/301/399.
2. The total equivalent length of exhaust vent and intake pipe should not exceed 200 feet.
  - a. The equivalent length of friction loss in elbows, tees, and other fittings are listed in Table 10.

| FRICITION LOSS EQUIVALENT FOR STAINLESS OR PLASTIC PIPING AND FITTINGS |    |    |    |    |
|--|----|----|----|----|
| FITTING DESCRIPTION  | 2" | 3" | 4" | 6" |
| 90° elbow short radius   | 5' | 5' | 5' | 3' |
| 90° elbow long radius  | 4' | 4' | 4' | 3' |
| 45° elbow  | 3' | 3' | 3' | 2' |
| Coupling   | 0' | 0' | 0' | 0' |
| Tee (intake only)  | 0' | 0' | 0' | 0' |
| V Series Vent Kit  | 1' | 1' | 1' | 1' |
| AL20 4C Vent Terminal  | 1' | 1' | 1' | 1' |
| Pipe (All Materials)   | 1' | 1' | 1' | 1' |

**Table 10 \*Friction loss for long radius elbow is 1' less. NOTE: Consult Polypropylene venting instructions for friction loss and pressure drop equivalents.**

b. For example: If the exhaust vent is 3" in diameter, and has two short 90° elbows and 10 feet of PVC pipe we will calculate: Exhaust Vent Equivalent Length = (2x5) + 10 = 20 feet.

Further, if the 3" intake pipe has two short 90° elbows, one 45° elbow, and 10 feet of PVC pipe, the following calculation applies: Intake Pipe Equivalent Length = (2x5) + 3 + 10 = 23 feet.

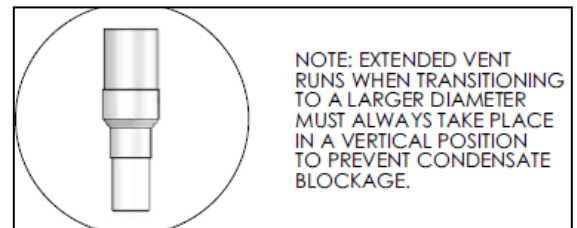
Therefore, the total equivalent length equals 43 feet.

c. The minimum total equivalent length is 16 feet.

d. The size of venting can also be reduced in order to accommodate existing vent sizes. When reducing down to a 2" vent from a 3" vent on Elite EL-80/110/155/220 models, or a 3" vent from a 4" vent on EL-299/301/399, the total equivalent length shall not exceed 100 equivalent feet. Vent reduction must begin at the boiler.

**F. LONGER VENT RUNS**

The maximum total equivalent length can be extended by equally increasing the diameter of both the exhaust vent and intake pipes. However, the transitions should begin a minimum of 16 total equivalent feet from the boiler.



**Figure 13**

The maximum equivalent length for increased diameter vent pipes is 275 ft, which includes the 16 ft from the boiler with a transition total of 259 ft upsized piping for longer vent runs.

| VENT TRANSITION FITTING |                   |                 |
|-------------------------|-------------------|-----------------|
| SIZE                    | REDUCING COUPLING | FINAL VENT SIZE |
| 3" Venting              | 4" x 3"           | 4"              |
| 4" Venting              | 6" x 4"           | 6"              |
| 6" Venting              | 8" x 6"           | 8"              |

**Table 11**

## CAUTION

Do not exceed the maximum lengths for increased diameter vent pipes. Excessive length could result in appliance shutdown and property damage.

### **G. EXHAUST VENT AND INTAKE PIPE INSTALLATION**

## WARNING

All joints of positive pressure vent systems must be sealed completely to prevent leakage of flue products into living space. Failure to do so could result in carbon monoxide leakage, property damage, severe personal injury, or death.

1. Use only solid PVC or CPVC pipe, or a Polypropylene vent system, approved for use with Category IV boilers.  
FOAM CORE PIPING IS NOT APPROVED FOR EXHAUST APPLICATIONS. Foam core piping may be used on air inlet piping **only**.
2. Remove all burrs and debris from joints and fittings.
3. When using PVC or CPVC pipe, all joints must be properly cleaned, primed, and cemented. Use only cement and primer approved for use with the pipe material. Cement must conform to ASTM D2564 for PVC and ASTM F493 for CPVC pipe. **NOTE: DO NOT CEMENT POLYPROPYLENE PIPE.**
4. Ensure the vent is located where it will not be exposed to prevailing winds.
5. In all roof venting applications, exhaust discharge must point away from the pitch of the roof.
6. To prevent water leakage, install adequate roof flashing where the pipe enters the roof.
7. Do not locate vent over public walkways, driveways, or parking lots. Condensate could drip and freeze, resulting in a slip hazard or damage to vehicles and machinery.
8. Due to potential moisture build-up, sidewall venting may not be the preferred venting option. To save time and cost, carefully consider venting installation and location.
9. Horizontal lengths of exhaust vent must slope back towards the appliance not less than ¼" per foot to allow condensate to drain from the vent pipe.
10. The exhaust vent must terminate where vapors cannot make accidental contact with people or pets, or damage shrubs or plants.
11. In vacant chimney applications, install and seal a rain cap over existing chimney openings.
12. All piping must be fully supported. Use pipe hangers at a minimum of 4 foot intervals to prevent sagging of the pipe where condensate may form.
13. Do not use the appliance to support any piping.
14. A screened straight coupling is provided with the appliance for use as an outside exhaust termination.
15. A screened inlet air tee is provided with the appliance to be used as an outside intake termination.

The following information on Table 12 lists optional exhaust/intake terminations available from HTP:

| DESCRIPTION                             | STOCK CODE   |
|---|--------------|
| 3" PVC CONCENTRIC VENT TERMINATION KIT  | KGAVT0601CVT |
| 3" STAINLESS STEEL VENT TERMINATION KIT | V1000        |
| 4" STAINLESS STEEL VENT TERMINATION KIT | V2000        |
| 6" STAINLESS STEEL VENT TERMINATION KIT | V3000        |
| 3" POLYPRO VENT KIT                     | 8400P-001    |

Table 12

**H. VENTING DRAWINGS**

**1. DIRECT VENT INSTALLATION OF EXHAUST VENT AND INTAKE PIPE**

If installing a direct vent option, combustion air must be drawn from the outdoors directly into the appliance intake, and exhaust must terminate outside. There are three basic direct vent options detailed in this manual: 1. Side Wall Venting, 2. Roof Venting, and 3. Unbalanced Venting.

Be sure to locate the appliance such that the exhaust vent and intake piping can be routed through the building and properly terminated. Different vent terminals can be used to simplify and eliminate multiple penetrations in the building structure (see Optional Equipment in Venting Section). The exhaust vent and intake piping lengths, routing and termination methods must all comply with the methods and limits given in the Venting section of this manual.

When installing a combustion air intake from outdoors, care must be taken to utilize uncontaminated combustion air. **NOTE: To prevent combustion air contamination, see Table 1.**

**⚠ WARNING**

Take extra precaution to adequately support the weight of vent pipes terminating through the roof. Failure to properly support roof terminated vent piping could result in property damage, serious personal injury, or death due to flue gas leakage.

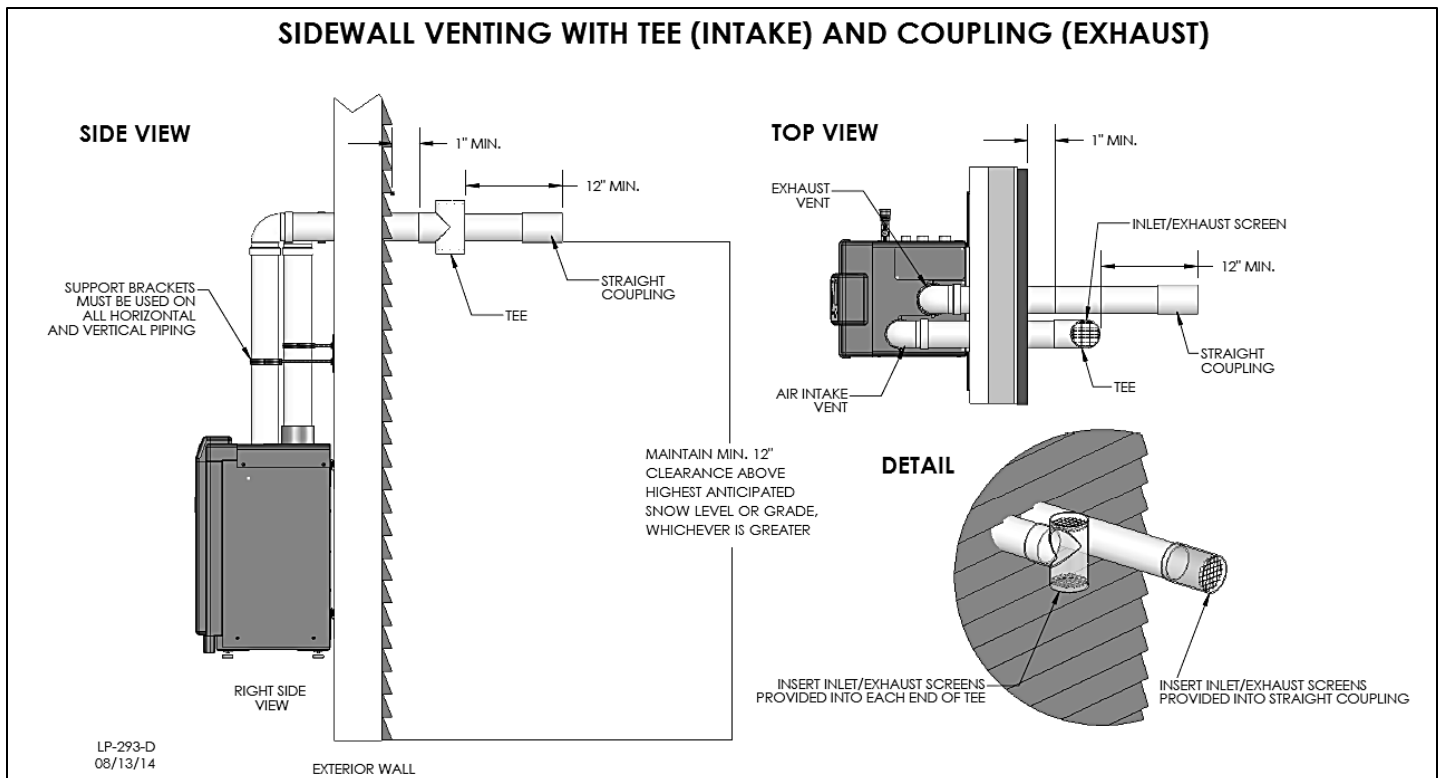


Figure 14 – Sidewall Venting with Tee (Intake) and Coupling (Exhaust) NOTE: Drawing is meant to demonstrate system venting ONLY.

**⚠ WARNING**

All vent pipes must be glued, properly supported, and the exhaust must be pitched a minimum of 1/4" per foot back to the boiler to allow drainage of condensate. When placing support brackets on vent piping, the first bracket must be within 1 foot of the boiler and the balance at 4 foot intervals on the vent pipe. Boiler venting must be readily accessible for visual inspection for the first three feet from the boiler.

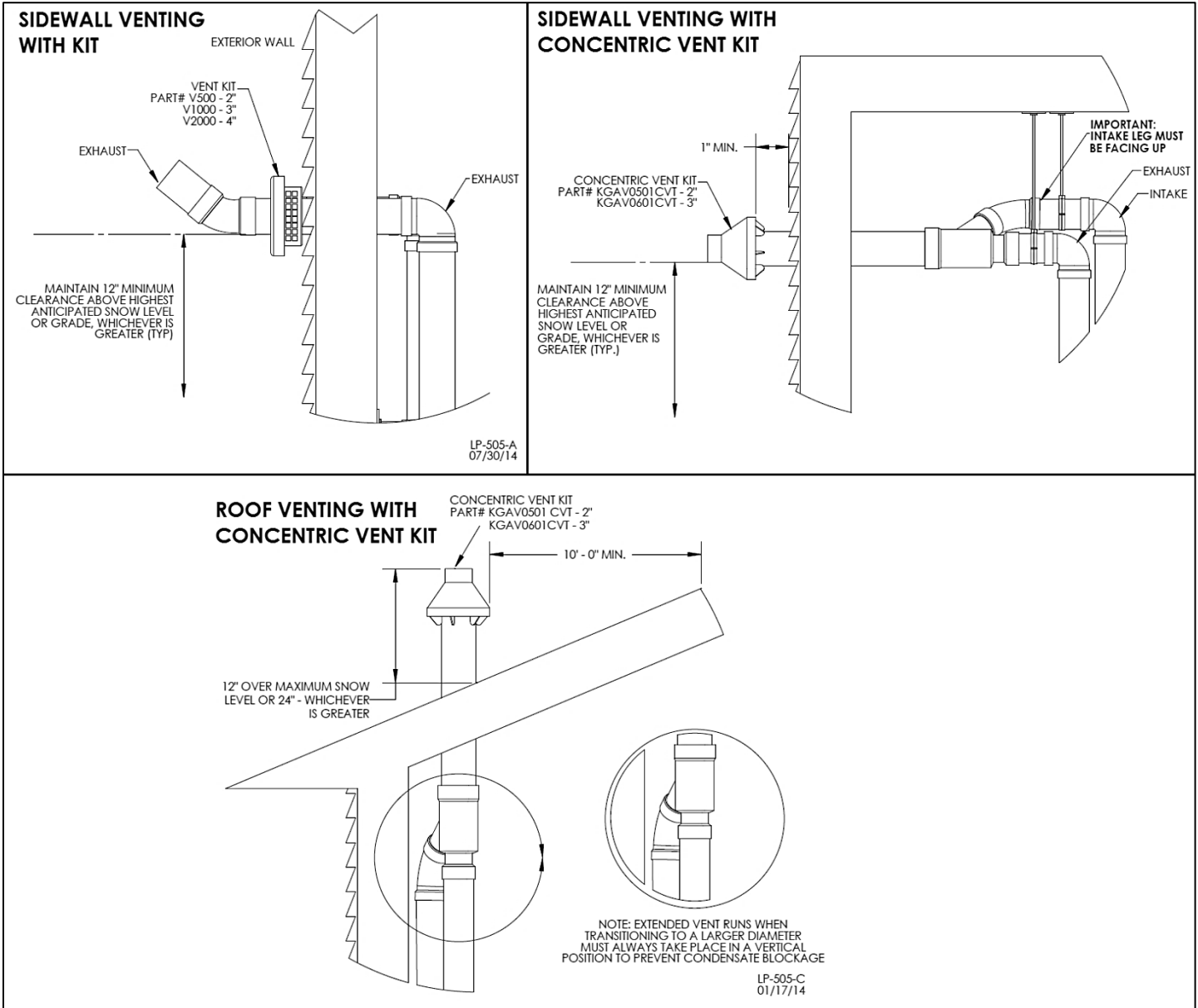
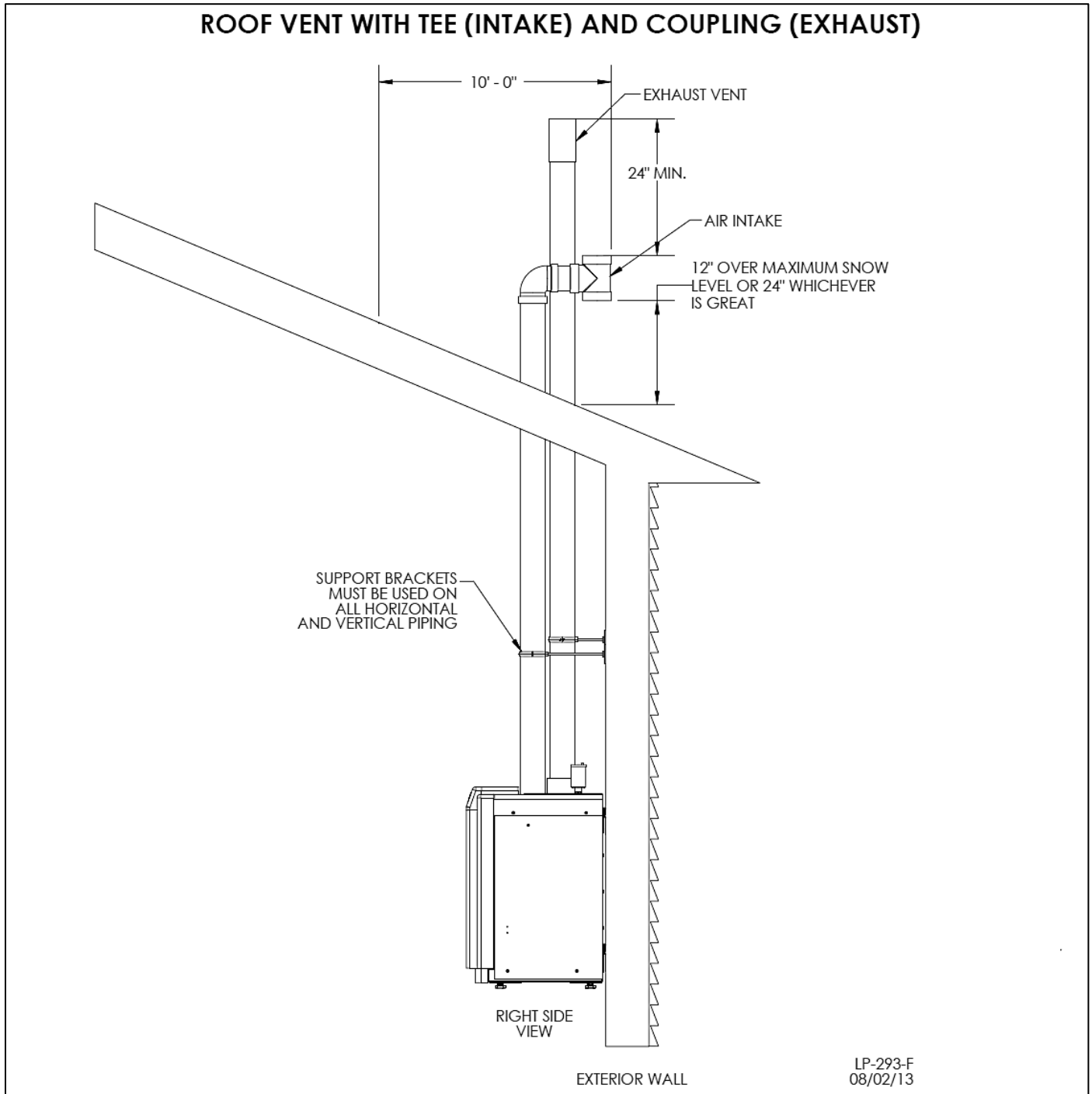


Figure 15 – Venting with Optional Kits (NOT INCLUDED WITH THE WATER HEATER) NOTE: These drawings are meant to demonstrate system venting only. The installer is responsible for all equipment and detailing required by local codes.

**⚠ WARNING**

All vent pipes must be glued, properly supported, and the exhaust must be pitched a minimum of 1/4" per foot back to the heater to allow drainage of condensate. When placing support brackets on vent piping, the first bracket must be within 1 foot of the water heater and the balance at 4 foot intervals on the vent pipe. Heater venting must be readily accessible for visual inspection for the first three feet from the heater.



**Figure 16 – Vertical Venting NOTE: Drawing is meant to demonstrate system venting ONLY.**

### **⚠ WARNING**

All vent pipes must be glued, properly supported, and the exhaust must be pitched a minimum of  $\frac{1}{4}$ " per foot back to the boiler to allow drainage of condensate. When placing support brackets on vent piping, the first bracket must be within 1 foot of the boiler and the balance at 4 foot intervals on the vent pipe. Boiler venting must be readily accessible for visual inspection for the first three feet from the boiler.

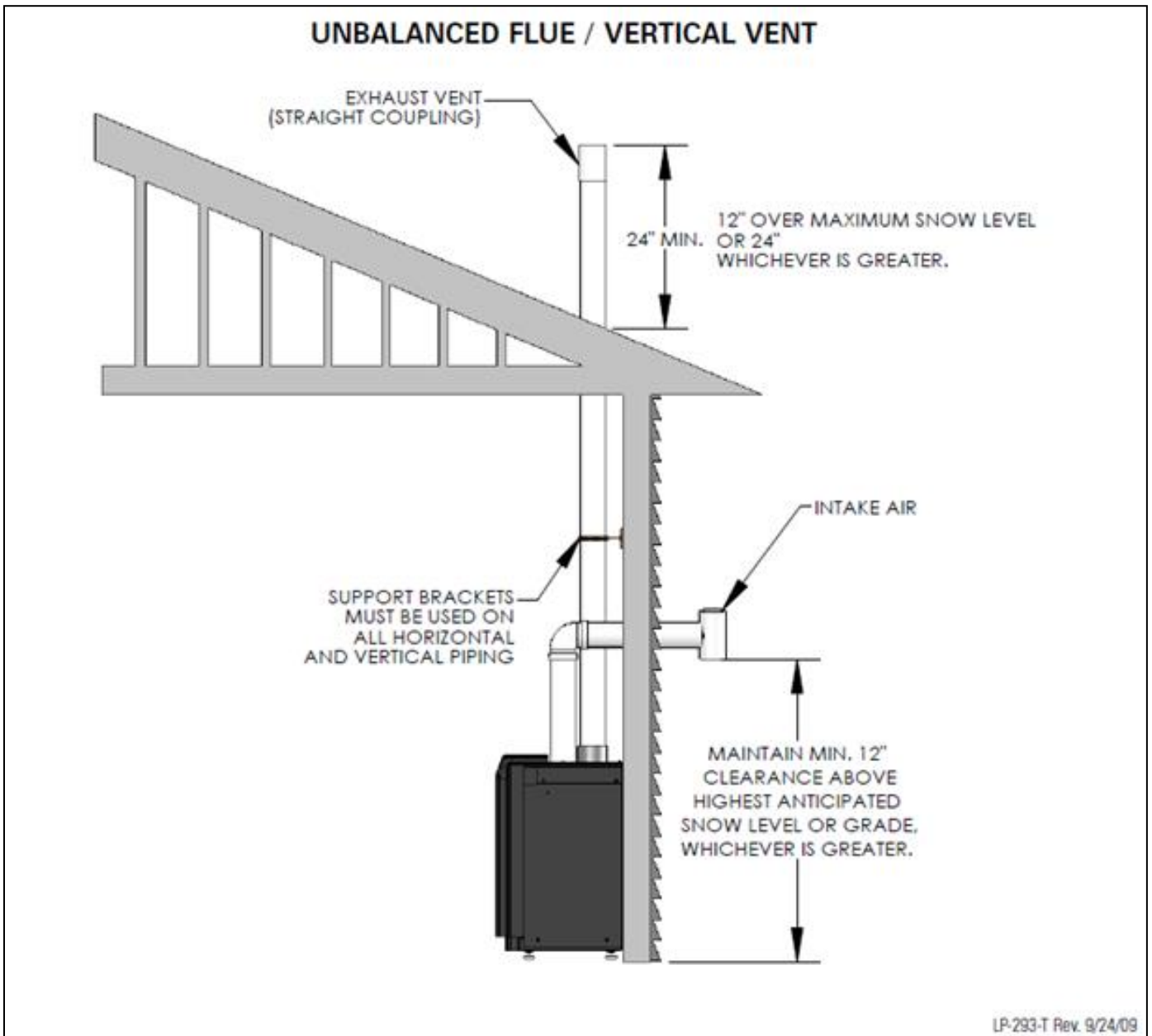


Figure 17 – LP-293-T – Unbalanced Flue/Vertical Vent - NOTE: Drawing is meant to demonstrate system venting ONLY.

**⚠ WARNING**

All vent pipes must be glued, properly supported, and the exhaust must be pitched a minimum of  $\frac{1}{4}$ " per foot back to the boiler to allow drainage of condensate. When placing support brackets on vent piping, the first bracket must be within 1 foot of the boiler and the balance at 4 foot intervals on the vent pipe. Boiler venting must be readily accessible for visual inspection for the first three feet from the boiler.

**⚠ WARNING**

An unbalanced vent system can be installed ONLY when the exhaust is in a vertical position.

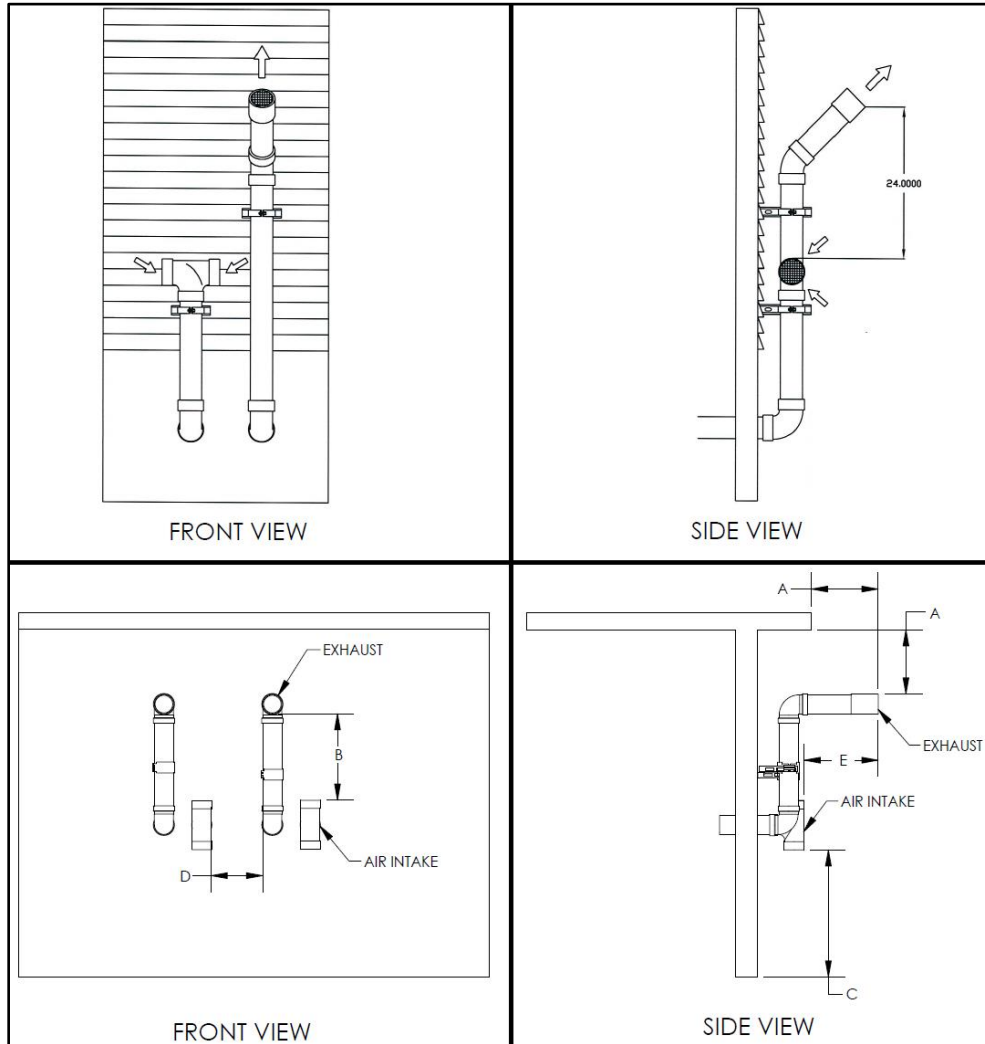


Figure 18 – Horizontal Venting - NOTE: Drawing is meant to demonstrate system venting ONLY.

**NOTES:**

- A. For every 1” of overhang, the exhaust vent must be located 1” vertical below overhang (overhang means top of building structure and not two adjacent walls [corner of building]).
- B. Typical installations require 12” minimum separation between bottom of exhaust outlet and top of air intake.
- C. Maintain 12” minimum clearance above highest anticipated snow level or grade (whichever is greater).
- D. Minimum 12” between vents when installing multiple vents.
- E. 12” minimum beyond air intake.

**⚠ WARNING**

All vent pipes must be glued, properly supported, and the exhaust must be pitched a minimum of 1/4” per foot back to the boiler to allow drainage of condensate. When placing support brackets on vent piping, the first bracket must be within 1 foot of the boiler and the balance at 4 foot intervals on the vent pipe. Boiler venting must be readily accessible for visual inspection for the first three feet from the boiler.

**2. VENTING THROUGH AN EXISTING SYSTEM**

This heater may be vented through an existing unused vent system. The inner diameter of the existing vent system is utilized for the combustion air source. Two methods have been approved for such venting: Concentric Venting Through an Existing System and Venting as a Chase.

| VENT / AIR INLET SIZE | MINIMUM EXISTING VENT / CHASE SIZE |
|-----------------------|------------------------------------|
| 2”                    | 4”                                 |
| 3”                    | 5”                                 |
| 4”                    | 7”                                 |

Table 13 – Minimum Existing Vent / Chase Sizing

**⚠ DANGER**

Do not install the heater into a common existing vent with any other appliance. This will cause flue gas spillage or heater malfunction, resulting in substantial property damage, severe personal injury, or death.

**CAUTION**

Contractors must check state and local codes before installing through an existing vent opening. State and local codes always take precedence over manufacturer's instructions. Failure to check state and local codes before installing through an existing opening could result in property damage and add significantly to installation costs.

**CAUTION**

If an existing venting system is converted for use with this heater, the installer must ensure that the existing venting system is clean and free from particulate contamination that could damage the heater. Failure to do so could result in property damage and heater failure. Such failure IS NOT covered under warranty.

**CONCENTRIC VENTING THROUGH AN EXISTING SYSTEM**

**NOTE:** The following instructions refer only to venting through an existing vent system, and not to venting with HTP's optional concentric vent kits. Refer to Concentric Vent Kit installation manual (LP-166) for further information on venting with the optional concentric vent kits.

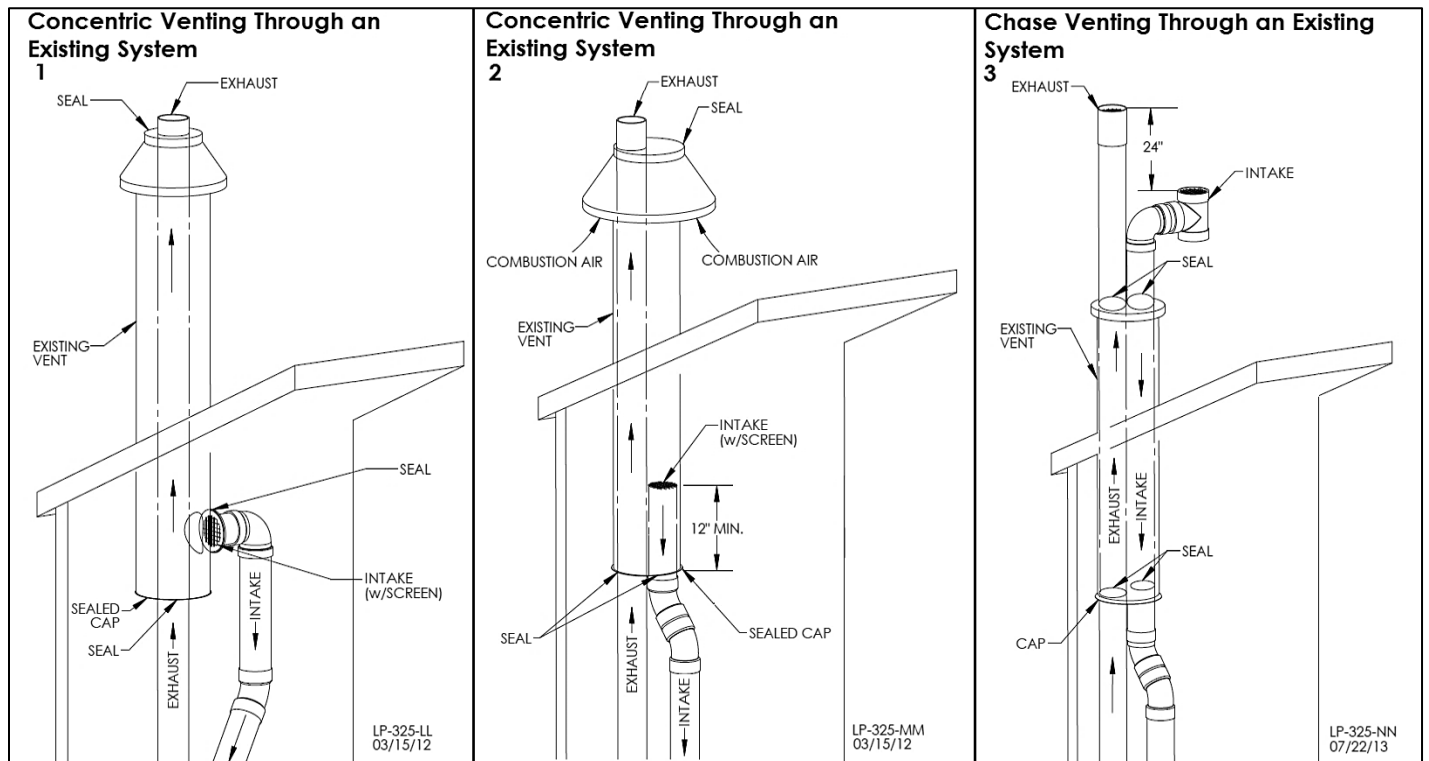
Concentric venting through an existing system must run vertically through the roof. See Table 13 for proper minimum vent sizing. Use only the approved venting materials specified in Table 9 for piping the system. All instructions listed in the Venting section apply. See Figures 19-1 and 19-2 for venting demonstrations.

**⚠ DANGER**

The upper and lower vent terminations as well as all joints in the venting system must be properly sealed to ensure that all combustion air is drawn properly and exhaust does not leak from the system. Failure to properly seal the venting system will result in property damage, severe personal injury, or death.

**CHASE VENTING THROUGH AN EXISTING SYSTEM**

When venting as a chase, follow all instructions included in Venting section of this manual, as well as the previous Concentric Venting section. See Figure 19-3 for chase venting demonstration.



Figures 19 – 1, 19 – 2 Concentric Venting Through an Existing System, 19 – 3 Chase Venting Through an Existing System **NOTE:** This drawing is meant to demonstrate system venting only. The installer is responsible for all equipment and detailing required by local codes.



### 3. INDOOR COMBUSTION AIR INSTALLATION IN CONFINED OR UNCONFINED SPACE

This heater requires fresh, uncontaminated air for safe operation and must be installed in a mechanical room where there is adequate combustion and ventilating air. **NOTE: To prevent combustion air contamination, see Table 1.**

Combustion air from the indoor space can be used if the space has adequate area or when air is provided through a duct or louver to supply sufficient combustion air based on the water heater input. **Never obstruct the supply of combustion air to the water heater.** If the water heater is installed in areas where indoor air is contaminated (see Figure 20) it is imperative that the water heater be installed as direct vent so that all combustion air is taken directly from the outdoors into the water heater intake connection.

**Unconfined space** is space with volume greater than 50 cubic feet per 1,000 Btu/hour (4.8 cubic meters per kW) of the total input rating of all fuel-burning appliances installed in that space. Rooms connected directly to this space, through openings not furnished with doors, are considered part of the space.

**Confined space** is space with volume less than 50 cubic feet per 1,000 Btu/hour (4.8 cubic meters per kW) of the total input rating of all fuel-burning appliances installed in that space. Rooms connected directly to this space, through openings not furnished with doors, are considered part of the space.

When drawing combustion air from inside a conventionally constructed building to a confined space, such space should be provided with two permanent openings: one located 6" (15 cm) below the space ceiling, the other 6" (15cm) above the space floor. Each opening should have a free area of one square inch per 1,000 Btu/hr (22cm<sup>2</sup>/kW) of the total input of all appliances in the space, but not less than 100 square inches (645cm<sup>2</sup>).

If the confined space is within a building of tight construction, air for combustion must be obtained from the outdoors as outlined in the Venting section of this manual. See Figure 2.

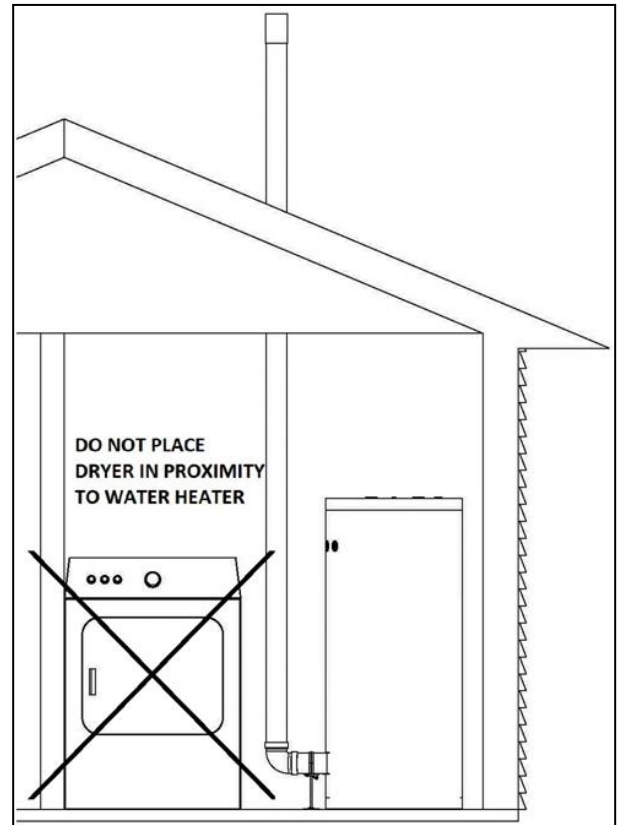
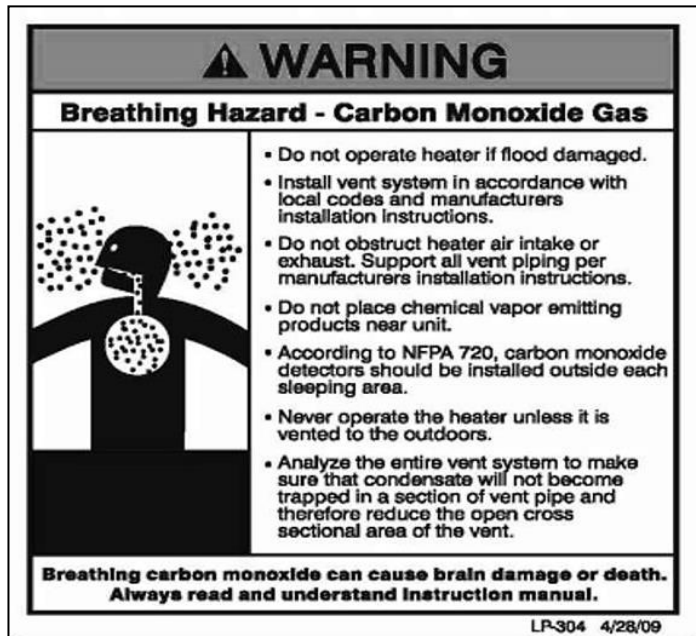


Figure 20 – LP-325-X

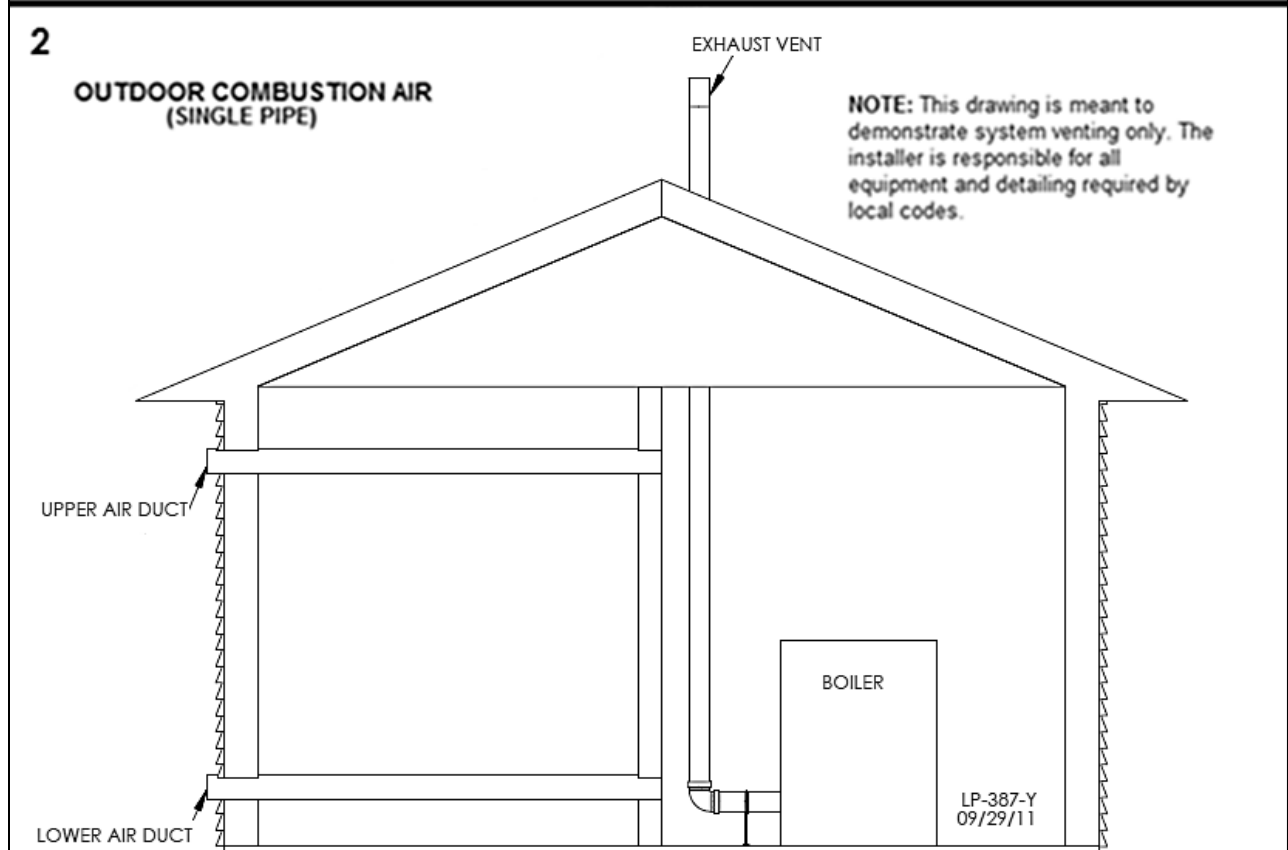
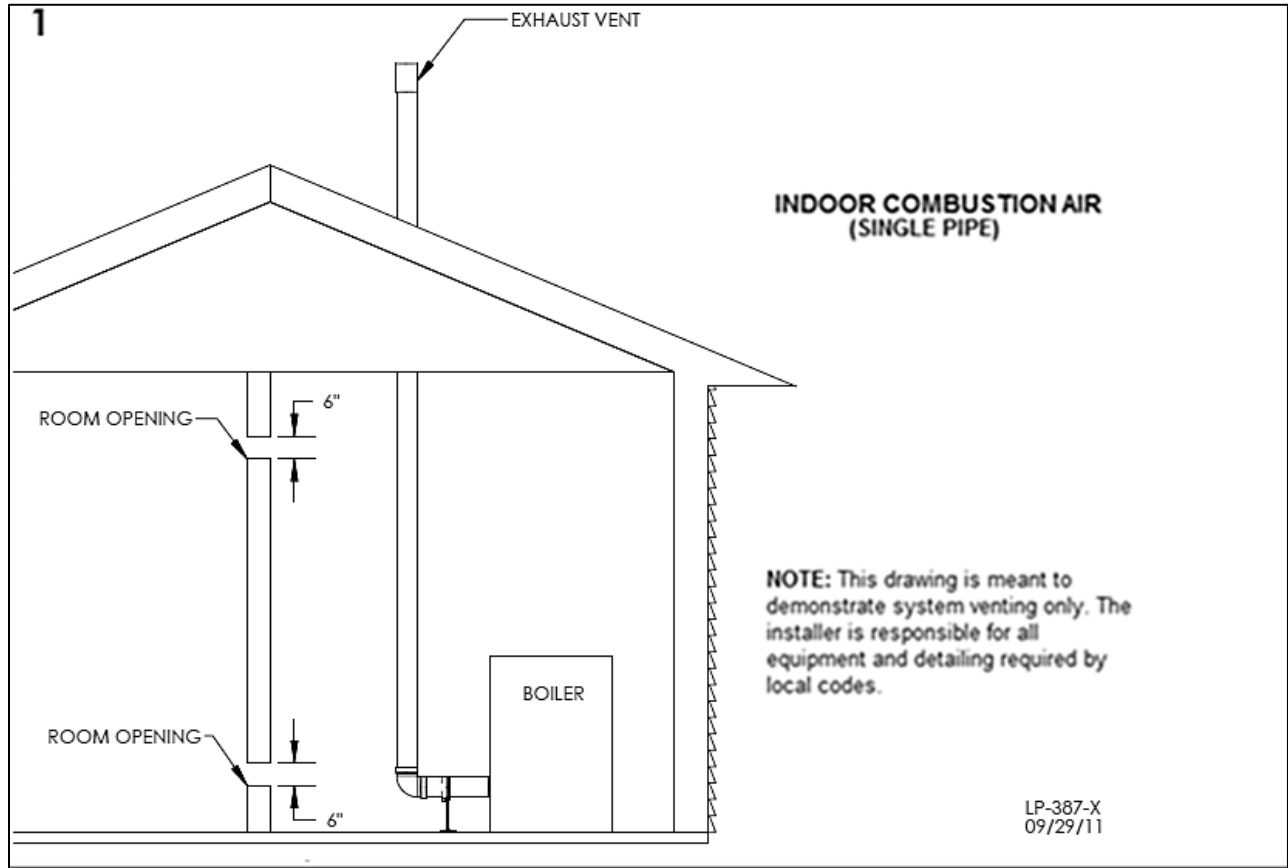


Figure 21 – 1, 21 - 2 **NOTE:** These drawings are meant to demonstrate system venting only. The installer is responsible for all equipment and detailing required by local codes.

**PART 6 – GAS PIPING**

**⚠ WARNING**

**FAILURE TO FOLLOW ALL PRECAUTIONS IN THIS SECTION COULD RESULT IN FIRE, EXPLOSION, OR DEATH!**

**A. GAS CONNECTION**

The gas supply shall have a maximum inlet pressure of less than 14" w.c. (3.5 kPa), and a minimum of 3.5" w.c. (.87 kPa). The entire piping system, gas meter and regulator must be sized properly to prevent pressure drop greater than 0.5" (.12 kPa) as stated in the National Fuel Gas Code. This information is listed on the rating label.

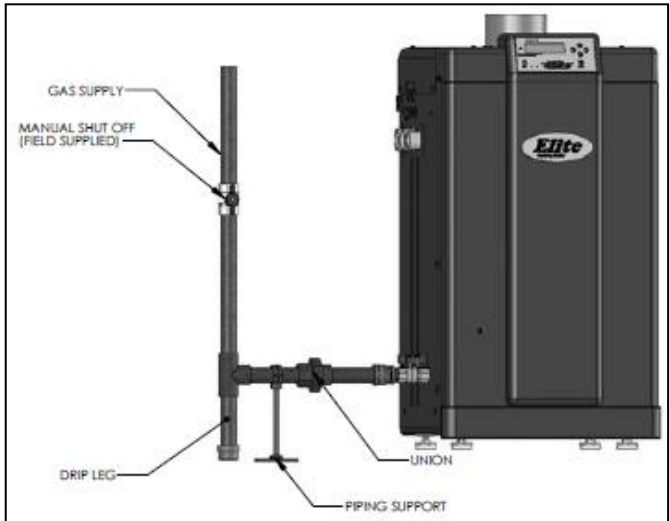


Figure 22

**⚠ DANGER**

It is very important that you are connected to the type of gas noted on the rating plate. "LP" for liquefied petroleum, propane gas, or "NAT" for natural or city gas. You must not do a gas conversion without an approved gas conversion kit. Prior to turning the gas on, all gas connections must be approved by the local gas supplier or utility, in addition to the governing authority.

A gas conversion kit comes with the boiler. Follow the included instructions VERY carefully. Failure to follow gas conversion instructions could result in property damage, serious injury, or death.

**⚠ WARNING**

The gas valve and blower will not support the weight of gas piping. Do not attempt to support the weight of piping with the boiler or its accessories. Failure to follow this warning could result in gas leakage, substantial property damage, severe personal injury, or death.

The gas connection on the boiler is 3/4" for the EL-80/110/150 and 1" for the EL-220/299/301/399. It is mandatory that this fitting is used for connection to a field fabricated drip leg as shown in the illustration above per the National Fuel Gas Code. You must ensure that the entire gas line to the connection at the boiler is no smaller than the unit supplied connection.

Once all inspections have been performed, the piping must be leak tested. If the leak test requirement is a higher test pressure than the maximum inlet pressure, you must isolate the boiler from the gas line. In order to do this, shut the gas off using factory and field-installed gas cocks. This will prevent high pressure. Failure to do so may damage the gas valve. In the event the gas valve is exposed to a pressure greater than 1/2 PSI, 14" w.c., or 3.5 kPa, the gas valve must be replaced. Never use an open flame (match, lighter, etc.) to check gas connections.

**Gas Table**

| (Nominal Iron Pipe Size (inches)) | Internal Diameter (inches) | Length of Pipe (Feet) |       |     |     |     |     |     |   | BTU'S PER HOUR<br>x1,000 |
|-----------------------------------|----------------------------|-----------------------|-------|-----|-----|-----|-----|-----|---|--------------------------|
|                                   |                            | 10                    | 20    | 30  | 40  | 50  | 60  | 70  |   |                          |
| 3/4                               | .824                       | 278                   | 190   | 152 | 130 | 115 | 105 | 96  | } |                          |
| 1                                 | 1.049                      | 520                   | 350   | 285 | 245 | 215 | 195 | 180 |   |                          |
| 1 1/4                             | 1.380                      | 1,050                 | 730   | 590 | 500 | 440 | 400 | 370 |   |                          |
| 1 1/2                             | 1.610                      | 1,600                 | 1,100 | 890 | 760 | 670 | 610 | 560 |   |                          |

| (Nominal Iron Pipe Size (inches)) | Internal Diameter (inches) | Length of Pipe (Feet) |     |     |     |     |     |     |   | BTU'S PER HOUR<br>x1,000 |
|-----------------------------------|----------------------------|-----------------------|-----|-----|-----|-----|-----|-----|---|--------------------------|
|                                   |                            | 80                    | 90  | 100 | 125 | 150 | 175 | 200 |   |                          |
| 3/4                               | .824                       | 90                    | 84  | 79  | 72  | 64  | 59  | 55  | } |                          |
| 1                                 | 1.049                      | 170                   | 160 | 150 | 130 | 120 | 110 | 100 |   |                          |
| 1 1/4                             | 1.380                      | 350                   | 320 | 305 | 275 | 250 | 225 | 210 |   |                          |
| 1 1/2                             | 1.610                      | 530                   | 490 | 460 | 410 | 380 | 350 | 320 |   |                          |

Table 14 – Gas Pipe Sizing / BTU's per Hour

**B. GAS PIPING**

1. Run the gas supply line in accordance with all applicable codes.
2. Locate and install manual shutoff valves in accordance with state and local requirements.
3. In Canada, the Manual Shutoff must be identified by the installing contractor.
4. It is important to support gas piping as the unit is not designed to structurally support a large amount of weight.
5. Purge all gas lines thoroughly to avoid start up issues with air in the lines.
6. Sealing compound must be approved for gas connections. Care must be taken when applying compound to prevent blockage or obstruction of gas flow which may affect the operation of the unit.

## ⚠ WARNING

Failure to apply pipe sealing compound as detailed above could result in substantial property damage, severe personal injury, or death.

## ⚠ WARNING

Never use an open flame (match or lighter) to check for gas leaks. Use a soapy solution to test connection. Failure to use a soapy solution test or check gas connection for leaks can result in substantial property damage, severe personal injury, or death.

## CAUTION

Use two wrenches when tightening gas piping at the boiler: One to prevent the boiler gas line from turning. Failure to prevent the boiler gas connection from turning could result in damage to the gas line components, substantial property damage, severe personal injury, or death.

## CAUTION

CSA / UL listed flexible gas connections can be used when installing the boiler. Flexible gas connections have different capacities and must be sized correctly for the connected boiler firing rates. Consult with the flex line supplier to assure the line size is adequate for the job. Follow local codes for proper installation and service requirements.

### C. CHECK INLET GAS PRESSURE

The gas valve is equipped with an inlet gas pressure tap that can be used to measure the gas pressure to the unit. To check gas pressure, perform the steps listed below:

1. **IMPORTANT!** Before you connect to the inlet pressure, shut off the gas and electrical power to unit.
2. Loosen the pressure tap with a small screwdriver. Refer to Figure 24 for location.
3. Each unit is equipped with a needle valve that will accept a 5/16 ID hose to connect to a digital manometer or liquid gauge designed to measure incoming pressure from 0-35" w.c. See Figure 24.
4. Turn on the gas and power up the unit.
5. Put the unit into manual test mode (details on test mode are in Part 10 Section D). In service mode, monitor pressure to assure it does not drop below 1 inch from its idle reading. If gas pressure is out of range or pressure drop is excessive, contact the gas utility, gas supplier, qualified installer, or service agency to determine correct action that is needed to provide proper gas pressure to the unit. If Gas Pressure is within normal range proceed to Step 6.
6. Exit test mode, then turn power off and shut off gas supply at the manual gas valve before disconnecting the hose from the gas monitoring device. Tighten screw on the pressure tap and turn gas on. Check for leaks with soapy solution. Bubbles will appear on the pipe to indicate a leak is present.

## ⚠ WARNING

Ensure the pressure tap screw is properly tightened to prevent gas leaks. Failure to do so could cause substantial property damage, severe personal injury, or death.

The gas piping must be sized for the proper flow and length of pipe to avoid pressure drop. The gas meter and regulator must be properly sized for the total gas load. If you experience a pressure drop greater than 1" w.c. (.87 kPa), the meter, regulator or gas line may be undersized or in need of service. You can attach a manometer to the incoming gas drip leg after removing the cap. The gas pressure must remain between 3.5" (.87 kPa) and 14" (3.5 kPa) during stand-by (static) mode and while in operating (dynamic) mode.

**If an in-line regulator is used, it must be a minimum of 10 feet from the boiler. It is very important that the gas line is properly purged by the gas supplier or utility. Failure to properly purge the lines, or**

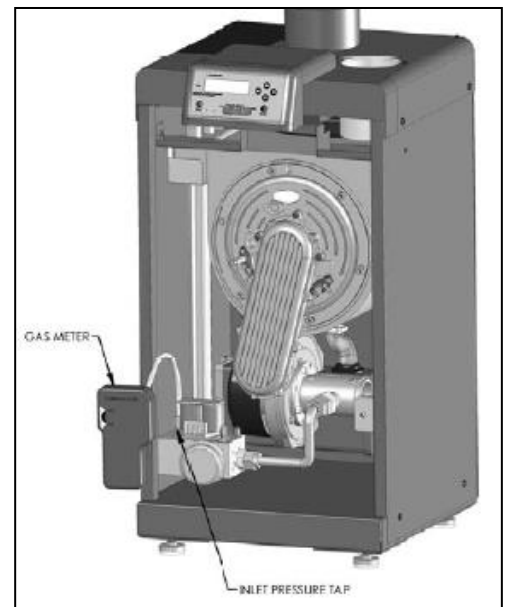


Figure 23 – LP-205-W

## ⚠ WARNING

### Breathing Hazard - Carbon Monoxide Gas



- Do not operate heater if flood damaged.
- Install vent system in accordance with local codes and manufacturers installation instructions.
- Do not obstruct heater air intake or exhaust. Support all vent piping per manufacturers installation instructions.
- Do not place chemical vapor emitting products near unit.
- According to NFPA 720, carbon monoxide detectors should be installed outside each sleeping area.
- Never operate the heater unless it is vented to the outdoors.
- Analyze the entire vent system to make sure that condensate will not become trapped in a section of vent pipe and therefore reduce the open cross sectional area of the vent.

Breathing carbon monoxide can cause brain damage or death.  
Always read and understand instruction manual.

LP-304 4/28/09

**improper line sizing, will result in ignition failure.** This problem is especially noticeable in NEW LP installations and empty tank situations. This situation can also occur when a utility company shuts off service to an area to provide maintenance to their lines. This gas valve must not be replaced with a conventional gas valve under any circumstances.

### **⚠ WARNING**

DO NOT adjust or attempt to measure gas valve outlet pressure. The gas valve is factory-set for the correct outlet pressure and requires no field adjustment. Attempts by the installer to adjust or measure the gas valve outlet pressure could result in damage to the valve and cause substantial property damage, severe personal injury, or death.

### **⚠ WARNING**

Ensure that the high gas pressure regulator is at least 6 – 10 feet upstream of the appliance. Failure to do so could result in substantial property damage, severe personal injury, or death.

#### **D. BOILER GAS VALVE**

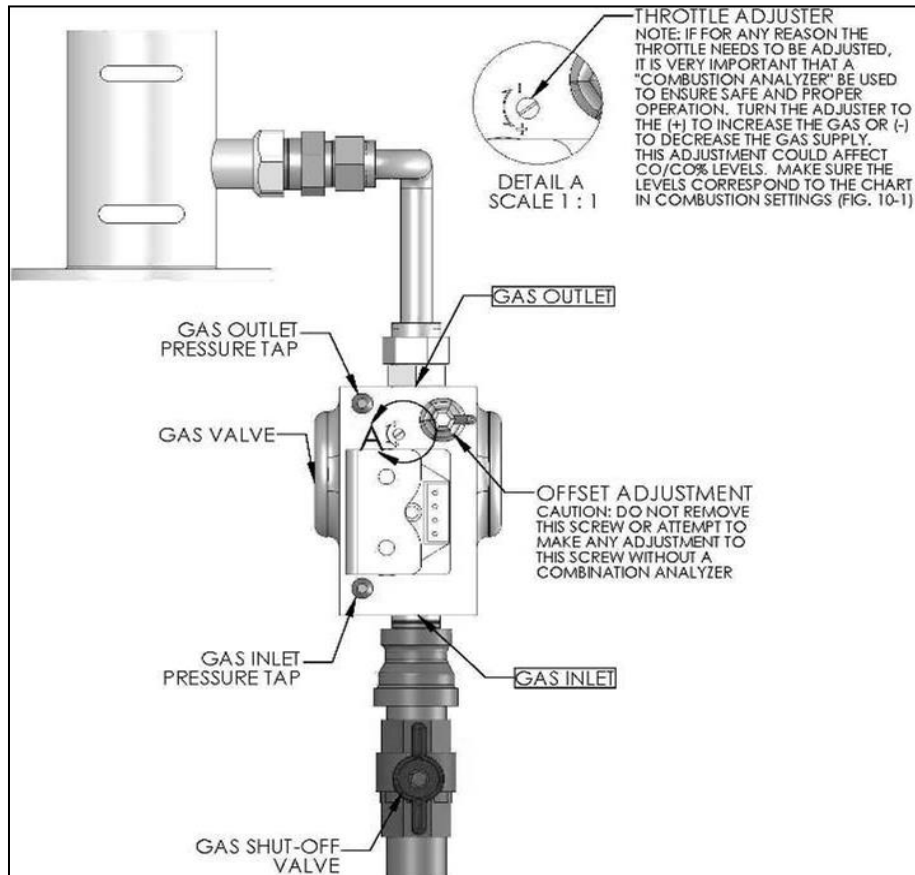


Figure 24 – LP-293-V

### **⚠ DANGER**

Do not do a gas conversion on this boiler without an officially approved conversion kit and instructions supplied by HTP. Failure to use a conversion kit when converting the boiler to fire on Natural or LP gas will result in extremely dangerous burner operation, leading to fire, explosion, severe injury or death.

### **⚠ WARNING**

Strain on the gas valve and fittings may result in vibration, premature component failure and gas leakage, and result in fire, explosion, property damage, severe personal injury, or death.

### **⚠ WARNING**

Adjustments to the throttle screw or offset may only be made by a qualified gas technician using a calibrated combustion analyzer capable of measuring CO<sub>2</sub> and CO. Failure to follow this instruction could result in fire, explosion, property damage, severe personal injury, or death.

## PART 7 – FIELD WIRING

### **⚠ WARNING**

To avoid electrical shock, turn off all power to the appliance prior to opening an electrical box within the unit. Ensure the power remains off while any wiring connections are being made. Failure to follow these instructions could result in component or product failure, serious injury, or death. Such product failure IS NOT covered by warranty.

### **⚠ WARNING**

**ELECTRICAL SHOCK HAZARD** - For your safety, turn off electrical power supply at service entrance panel before making any electrical connections. Failure to do so can result in severe personal injury or death.

### **CAUTION**

Wiring must be N.E.C. Class 1. If original wiring supplied with the boiler must be replaced, use only UL Listed TEW 105° C wire or equivalent. Boiler must be electrically grounded as required by National Electrical Code ANSI/NFPA 70 – Latest Edition.

### **⚠ CAUTION**

To ease future service and maintenance, label all wires. Wiring errors can cause improper and dangerous operation, and result in substantial property damage, severe personal injury, or death.

#### **A. INSTALLATION MUST COMPLY WITH:**

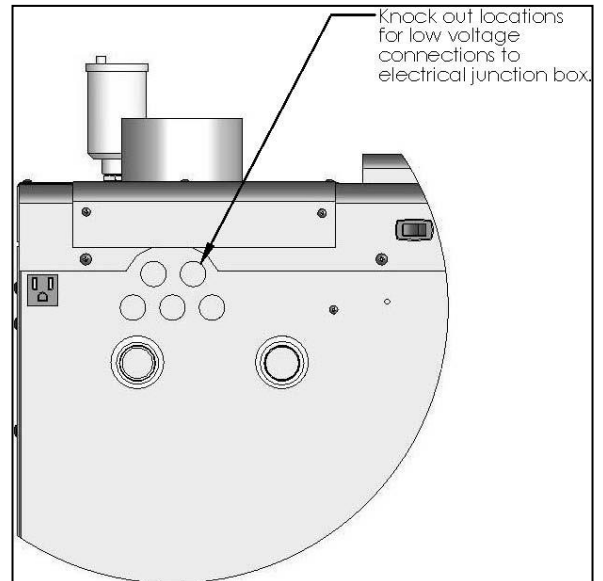
1. National Electrical Code and any other national, state, provincial or local codes or regulations.
2. In Canada, CSA C22.1 Canadian Electrical Code Part 1, and any local codes.

#### **B. FIELD WIRING TERMINATIONS**

All connections made to the boiler in the field are done inside the electrical junction box located on the left side of the unit. Multiple knockout locations are available to route field wires into and out of the electrical junction box.

#### **C. FIELD WIRING**

The control used in the boiler is capable of directly controlling 1 pump in standard mode and 2 pumps when configured as a cascade master boiler. As a standard unit, each pump can provide a maximum of 3 amps at 120 volts. If a pump requires more than this amount of power, an external contactor or motor starter is needed. If the boiler is configured as a cascade master, the system pump output is a dry contact output capable of switching 5 amps at 120 volts, in addition to the boiler pump output sourcing 4 amps each.



**Figure 25 – Knockout Locations**

The electrical junction box has separate, clearly marked terminal strips for line voltage and low voltage wiring. Special jacks are provided for trouble-free cascade system wiring using standard CAT3 or CAT5 patch cables.

#### **D. LINE VOLTAGE WIRING FOR STANDARD BOILER**

**NOTE:** A termination plug is included in the CAT 3 / CAT 5 Bus Connection Point, labeled J3 in Figure 23. DO NOT REMOVE THIS PLUG! Doing so will affect boiler operation and void warranty.

1. Connect 120V / 60Hz / 15 AMP incoming power wiring to the line voltage terminal strip in the electrical junction box at terminals 120V, Neutral, Ground (shown in Figure 26).
2. A line voltage fused disconnect or service switch may be required, externally mounted and connected according to local codes that may apply.

3. Connect the boiler pump as shown in Figure 26 to the terminals marked 1 – (HOT), 2 – (NEUT), and 3 – (GND). The connections shown are suitable for a maximum continuous pump draw of 3 amps at 120 volts. If the pump requires more current or voltage than the 120 volts supplied, an external motor starter or contactor will be required.

**E. ALARM CONNECTIONS**

The control includes a dry contact alarm output. This is an SPDT circuit, rated at 5 amps at 120 volts. This contact can be used to activate an alarm light or bell or notify a building management system if the boiler goes into a lockout condition. The circuit between the ALARM COM and NC terminals is closed during normal operation and the circuit between ALARM COM and NO is open during normal operation. The connections depicted in Figure 26 show two 120 volt lights connected to the alarm terminals. One light will be on when the boiler is in normal mode and the other light will be on when the boiler is in lockout mode.

**F. LOW VOLTAGE CONNECTIONS FOR STANDARD BOILER**

1. All low voltage cables should enter the electrical junction box through the provided knock out holes as shown in Figure 25.
2. Connect all low voltage field devices to the low voltage terminal strip located in the electrical junction box.

**G. THERMOSTAT**

1. Connect the room thermostat to the terminals marked THERMOSTAT in the electrical junction box (see Figure 26). Alternately, any dry contact closure across these terminals will cause the boiler to run. Take caution to ensure neither of the terminals becomes connected to ground.
2. Mount the thermostat on an inside wall as central as possible to the area being heated, but away from drafts or heat producing devices such as television sets that could influence the ability of the thermostat to measure room temperature.
3. If the thermostat is equipped with an anticipator and it is connected directly to the boiler, the anticipator should be set at .1 amps. If the thermostat is connected to other device(s), the anticipator should be set to match the power requirements of the device(s). See the instruction manual of the connected device(s) for further information.

**H. OUTDOOR SENSOR**

There is no connection required if an outdoor sensor is not used in the installation.

1. Use a minimum 22 AWG wire for runs of 100 feet or less and minimum 18 AWG wire for runs of up to 150 feet.
2. Mount the outdoor sensor on an exterior surface of the building, preferably on the north side in an area that will not be affected by direct sunlight and will be exposed to varying weather conditions. NOTE: For correct mounting procedures, follow instructions provided with the sensor.

**NOTE:** For correct mounting procedures, follow instructions provided with the sensor.

**NOTE:** If sensor wires are located in an area with sources of potential electromagnetic interference (EMI), the sensor wires should be shielded, or the wires routed in a grounded metal conduit. If using shielded cable, the shielding should be connected to the common ground of the boiler.

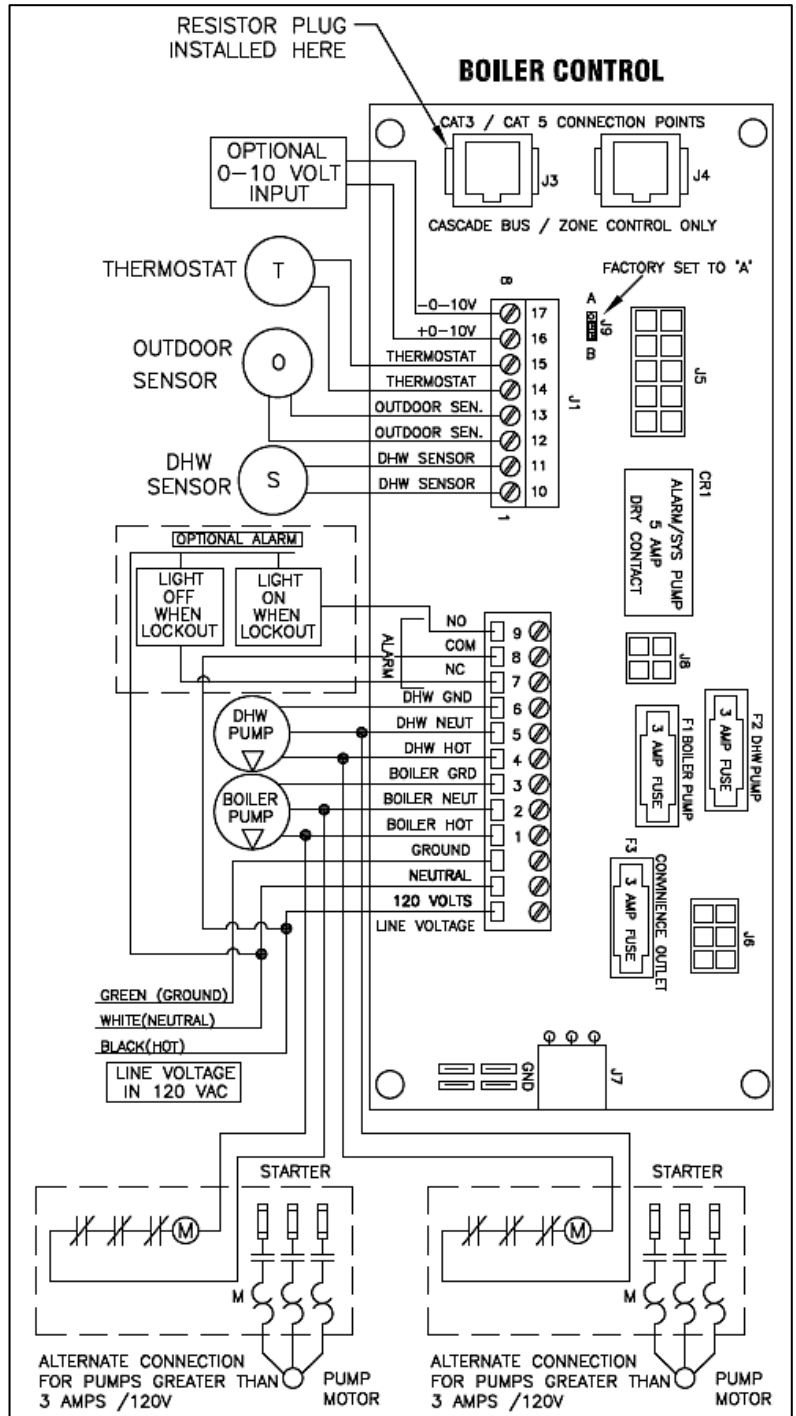


Figure 26 – LP-293-NN Elite Boiler Control

## **I. INDIRECT SENSOR**

There is no connection required if an indirect water heater is not used in the installation.

1. The boiler will operate an indirect fired water heater with either a thermostat type aquastat installed in the indirect tank or an HTP 7250P-325 tank sensor. When a tank sensor is used, the boiler control will automatically detect its presence and a demand for heat from the indirect water heater will be generated when the tank temperature falls below the user set point by more than the user selectable offset. The demand will continue until the sensor measures that the indirect water heater temperature is above the set point.
2. Connect the indirect sensor (7250P-325) to the terminals marked DHW SENSOR (shown in Figure 26) in the electrical junction box.

### **⚠ WARNING**

Failure to use the correct sensor may result in tank temperature being either above or below set point, and could result in decreased performance, substantial property damage, or heightened risk of injuries due to scalds.

### **⚠ DANGER**

#### **⚠ DANGER**



Water temperature over 125 degrees F. can cause severe burns instantly, or death from scalds. Children, disabled, and elderly are at highest risk of being scalded. See instruction manual before setting temperature at water heater. Feel water before bathing or showering! Temperature limiting valves are available. See chart below showing temperature burn rate.

#### **⚠ DANGER**



### **⚠ WARNING**

Caution should be used to ensure neither of these terminals becomes connected to ground.

**NOTE:** If sensor wires are located in an area with sources of potential electromagnetic interference (EMI), the sensor wires should be shielded, or the wires routed in a grounded metal conduit. If using shielded cable, the shielding should be connected to the common ground of the boiler.

## **J. OPTIONAL 0-10 VOLT BUILDING CONTROL SIGNAL**

1. A signal from a building management system may be connected to the boiler to enable remote control. This signal should be a 0-10 volt positive-going DC signal. When this input is enabled using the installer menu, a building control system can be used to control the set point temperature of the boiler. The control interprets the 0-10 volt signal as follows; when the signal is between 0 and 1.5 volts, the boiler will be in standby mode, not firing. When the signal rises above 1.5 volts, the boiler will ignite. As the signal continues to rise towards its maximum of 10 volts, the boiler will increase in set point temperature. See Part 10 for details on the setting of function 16.
2. Connect a building management system or other auxiliary control signal to the terminals marked 16, 0-10 VOLT + and 17, 0-10 VOLT – in the electrical junction box (shown in Figure 26). Caution should be used to ensure that the 0-10 VOLT + connection does not become connected to ground.
3. Move jumper on connection board (shown in Figure 26) from A to B.
4. See Part 9, Section D, Function 17 to program the 0-10 volt signal.

**NOTE:** When a 0-10 volt building management system is installed, the return sensor temperature cannot be monitored through the appliance display.

## **K. OPTIONAL UL353 LOW WATER CUT-OFF INTERFACE KIT**

If an optional UL 353 Low Water Cut-Off (LWCO) Interface Kit is used, the control box of the kit should be mounted to the left side of the boiler cabinet near the low water cut-off probe, which is located on the outlet nipple of the boiler.

Follow the complete instructions included in the kit for proper installation.

## **L. WIRING OF CASCADE SYSTEM COMMUNICATION BUS**

1. A Cascade Bus Termination Plug has been installed on the customer connection board of this boiler. The purpose of this plug is to stabilize communication between multiple boilers and reduce electrical “noise”. See Figures 28 and 29 for Cascade Bus Termination Plug installation detail.
2. Use standard CAT3 or CAT5 computer network patch cables to connect the communication bus between each of the boilers. These cables are readily available at any office supply, computer, electronic, department or discount home supply store in varying lengths. If you possess the skills you can also construct custom length cables.



3. It is recommended to use the shortest length cable that will reach between the boilers and create a neat installation. Do not run unprotected cables across the floor where they may become wet or damaged. Avoid running communication cables parallel and close to or against high voltage (120 volt or greater) wiring. HTP recommends that the maximum length of communication bus cables not exceed 200 feet.

4. Route the communication cables through one of the knockouts in the cabinet.

5. Connect the boilers in a daisy chain configuration as shown below. It is best to wire the boilers using the shortest wire runs rather than trying to wire them in the order that they are addressed. The communication bus jacks on the customer connection panel are interchangeable so you can use either one or both in any order to connect the cable.

If you have connected the boilers to each other properly, there will be no open communication connection ports.

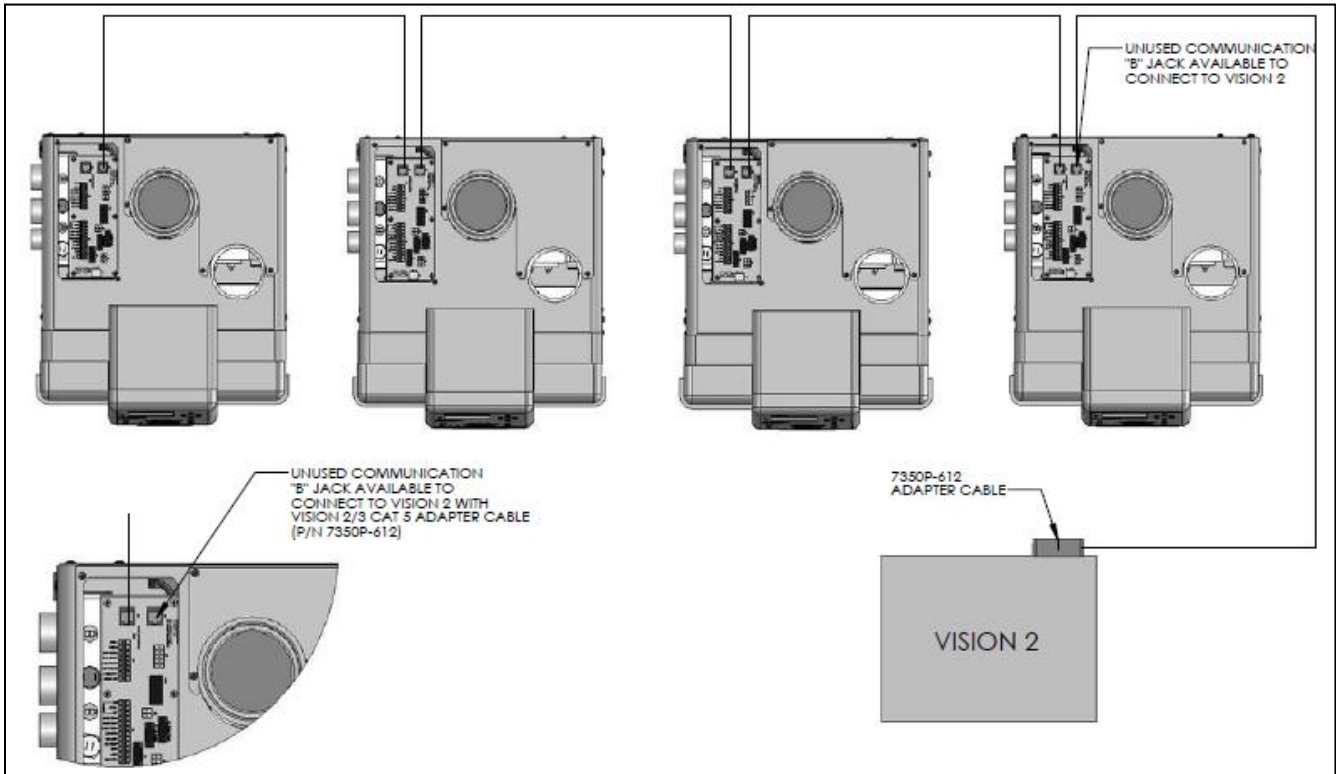


Figure 27 – LP-293-GG

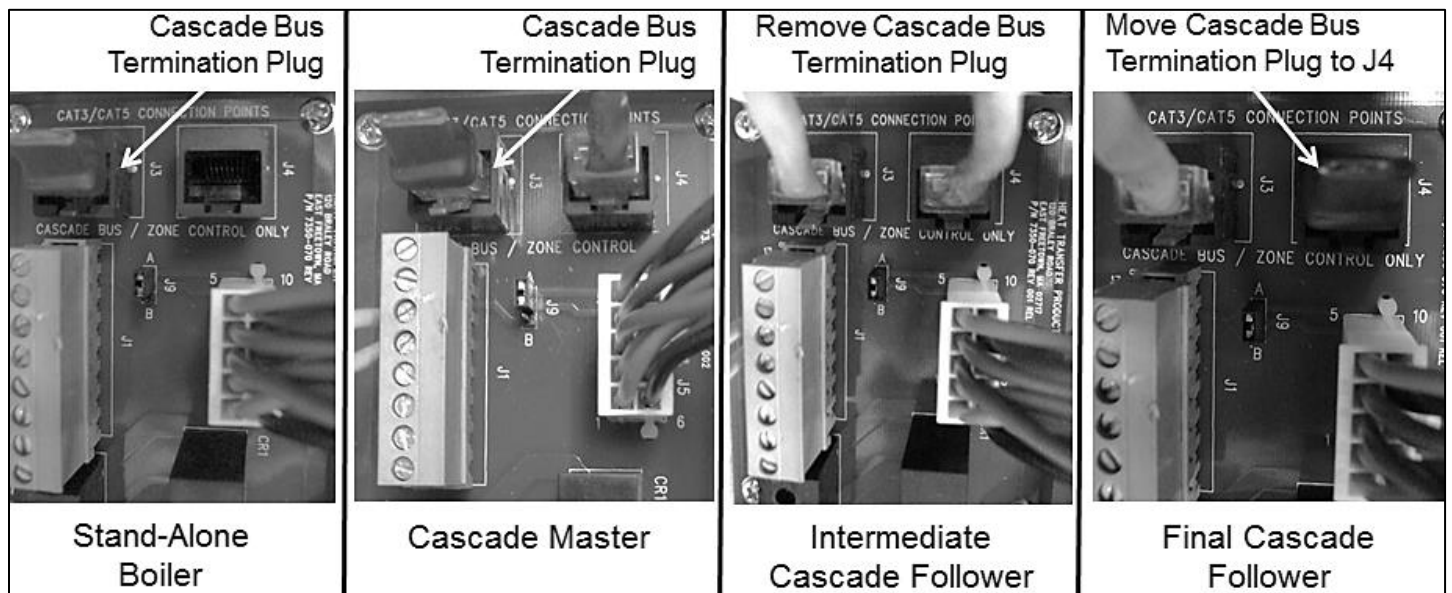


Figure 28 – Cascade Resistor Plug Installation Detail

**M. CASCADE MASTER PUMP AND SENSOR WIRING**

1. Connect the system pump hot wire to the terminal marked 8.
2. Connect the system pump neutral to the 2 terminal and the pump ground wire to the 3 terminal.
3. Connect a jumper wire from the 120 VOLT terminal to the 9 terminal.
4. Connect the boiler pump to the terminals marked 1 (HOT), 2 (NEUT) and 3 (GND).
5. Connect the system pipe sensor to the terminals marked 10 and 11.

**N. CASCADE FOLLOWER PUMP AND SENSOR WIRING**

1. Connect the boiler pump to the terminals labeled 1 (HOT), 2 (NEUT), and 3 (GND).
2. An alarm bell or light can be connected to the alarm contacts of the follower boiler. The normally closed alarm contact may be used to turn a device off if the boiler goes into lockout mode. The alarm contacts are rated 5 amps at 120 VAC.

To connect an alarm device, connect the power for the device to the ALARM COM terminal. Connect the alarm device hot wire to the ALARM NO terminal. Connect the neutral or return of the alarm device to the neutral or return of the power for the alarm device.

To connect a device that should be powered off during a boiler lockout condition, follow the same instructions as above except use the ALARM NC terminal rather than the ALARM NO terminal.

Note that in a cascade system the alarm output of the boiler addressed as #1 will also be active if the master boiler has a lockout condition. The alarm output of boilers addressed as 2-7 will only activate an alarm if a lockout condition occurs on that specific boiler.

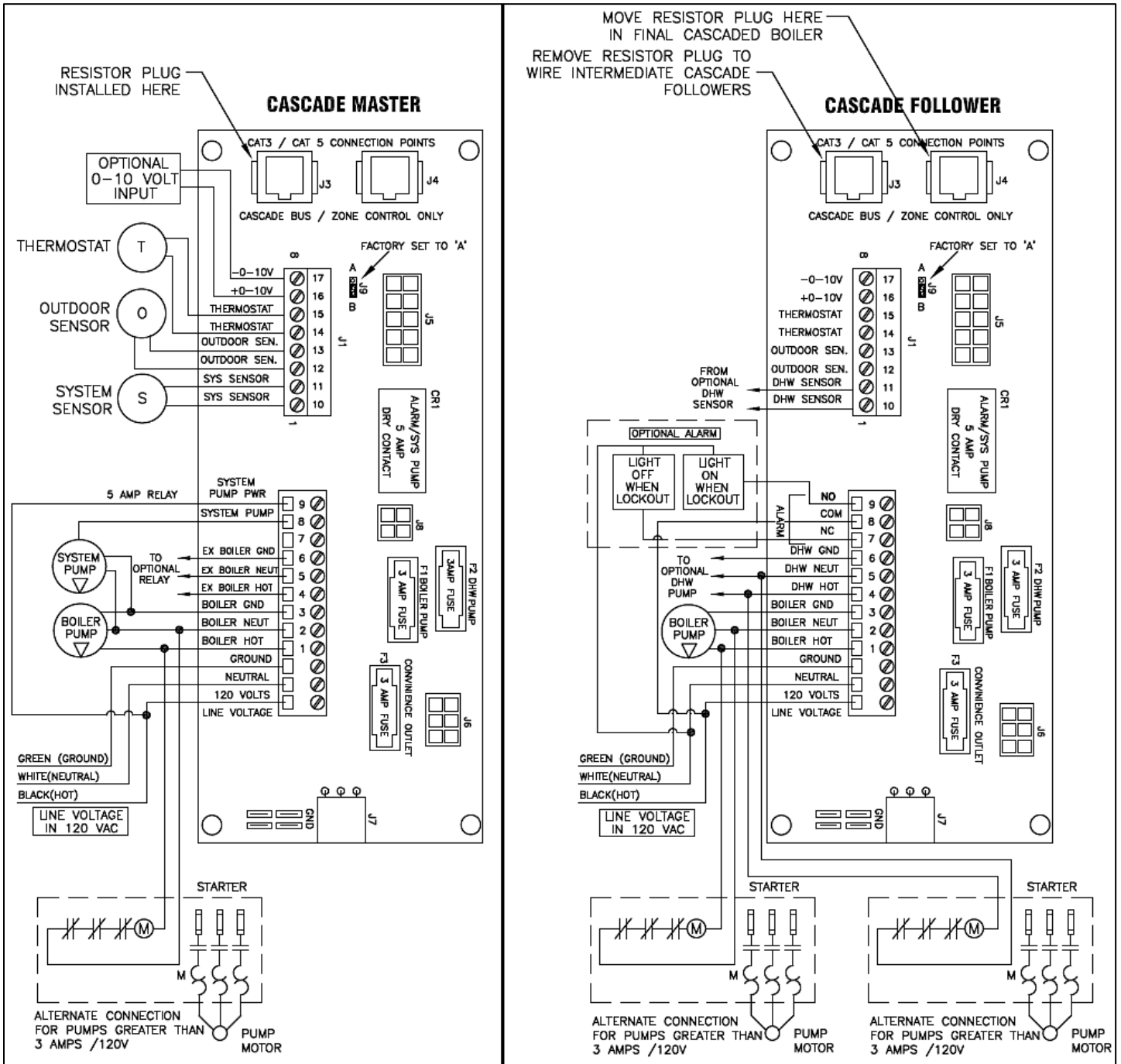
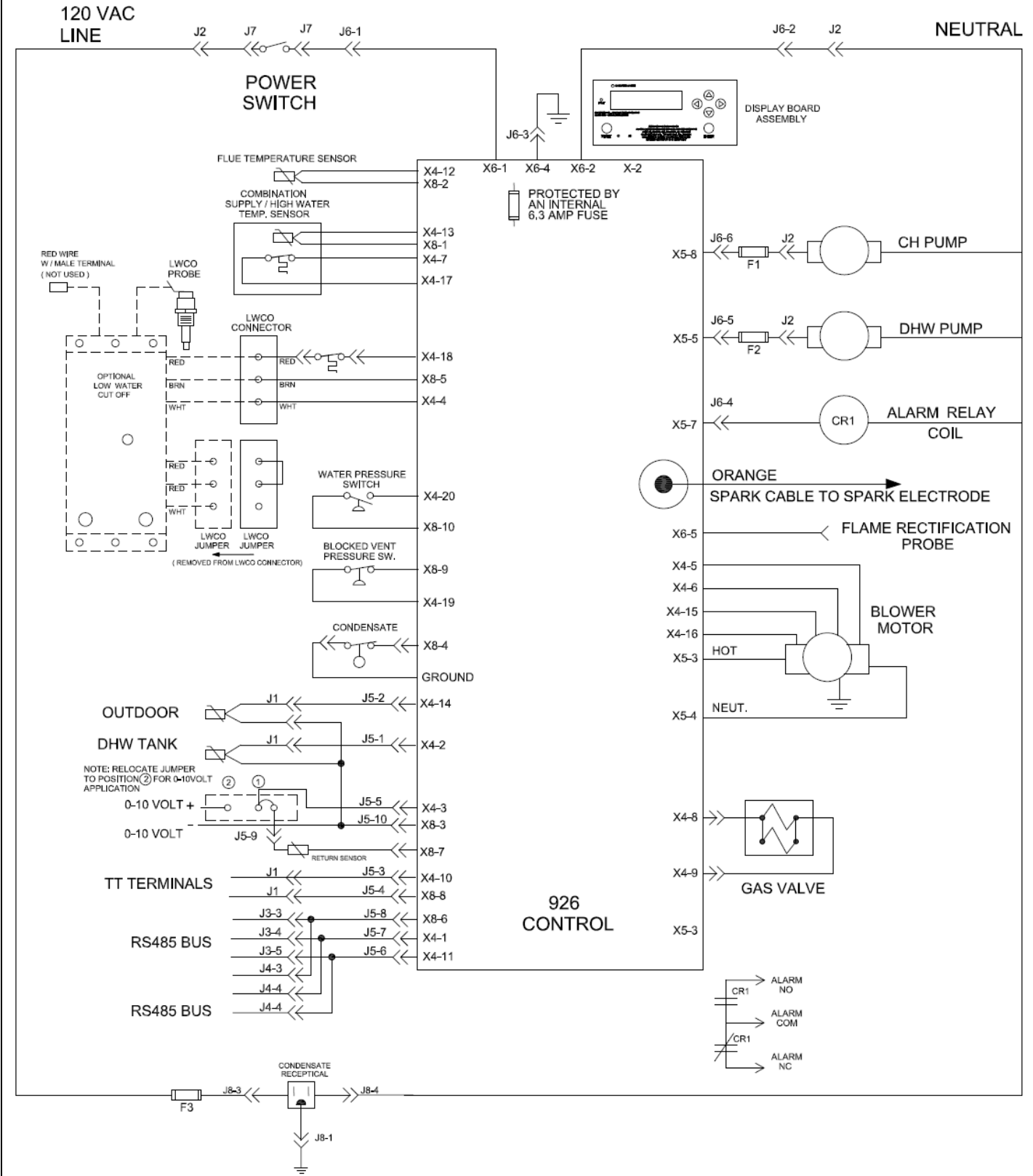


Figure 29 – Cascade Master and Follower

# ELITE 80/ 110 / 150 BOILER INTERNAL CONNECTION DIAGRAM



\* NOTE: "J" REFERENCES FIELD CONNECTION BOARD

LP-293-J  
10/28/11

Figure 30

# ELITE 220 BOILER INTERNAL CONNECTION DIAGRAM

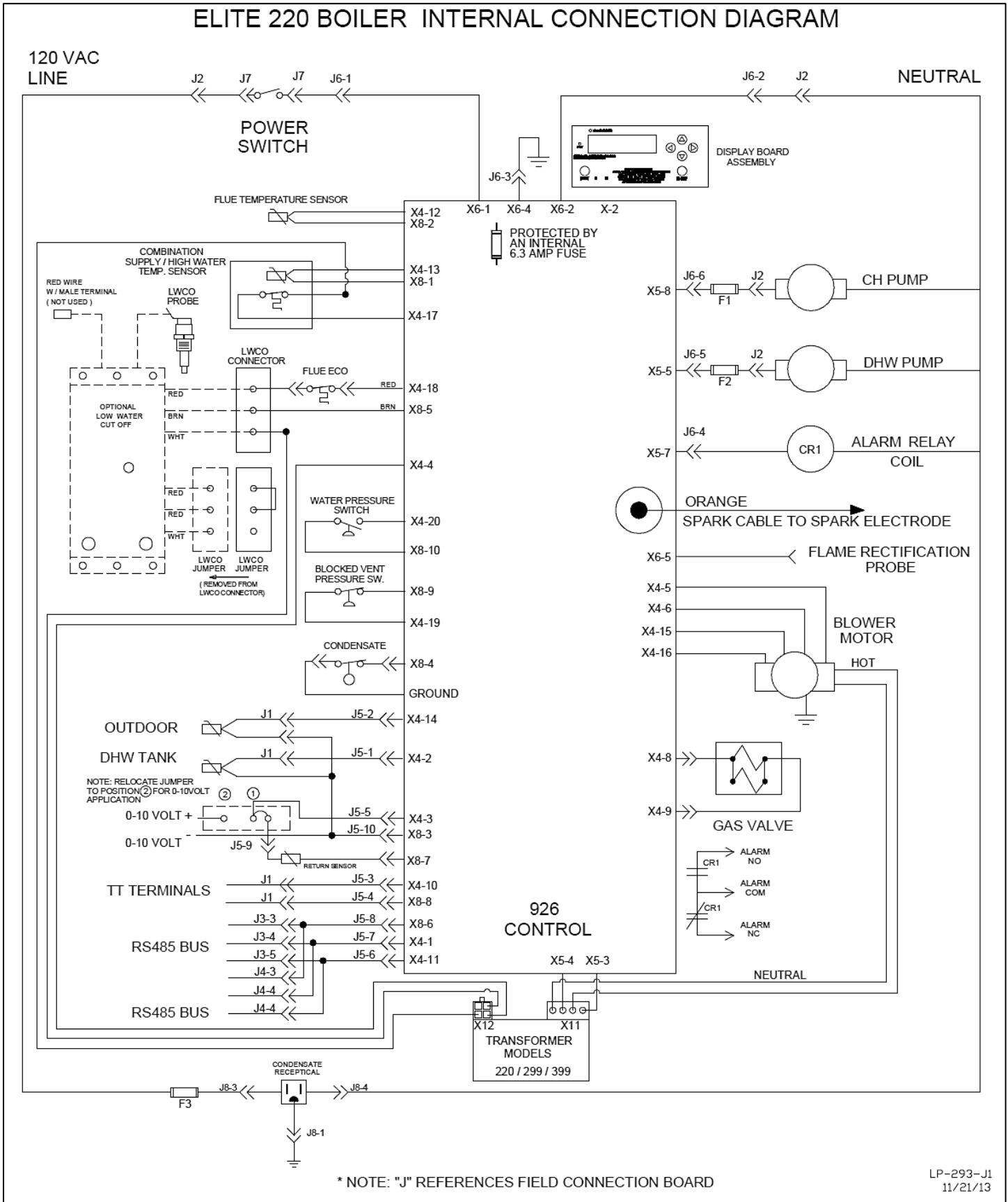


Figure 31

# ELITE 301 / 299 / 399 BOILER INTERNAL CONNECTION DIAGRAM

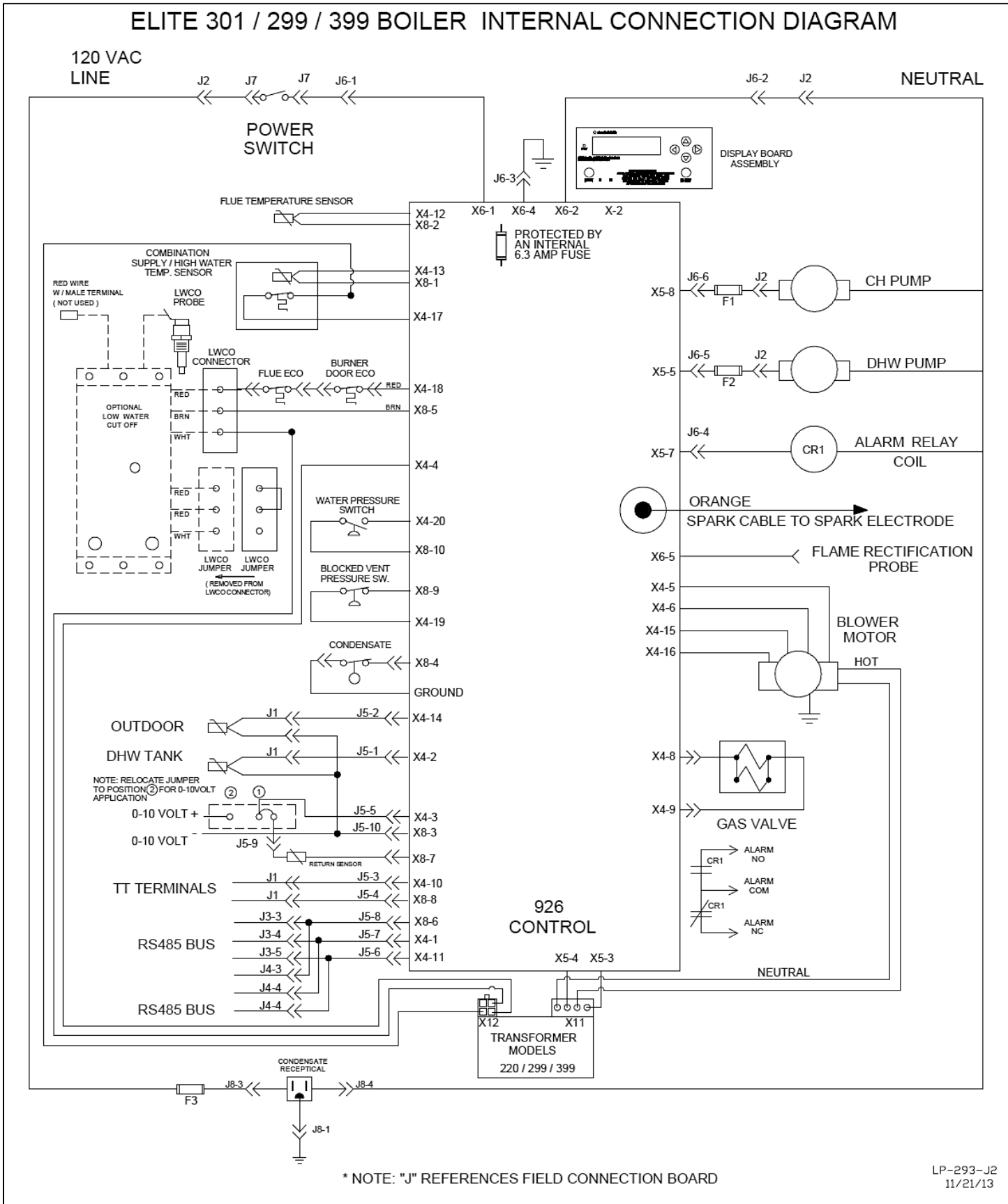


Figure 32

LP-293-J2  
11/21/13

## PART 8 – START-UP PREPARATION

### WARNING

Thoroughly clean and flush any system that has used glycol before installing the boiler. Provide the customer with a material safety data sheet (MSDS) on the fluid used.

#### A. CHECK / CONTROL WATER CHEMISTRY

### CAUTION

Chemical imbalance of your water can cause severe damage to your boiler and associated equipment, and may also affect efficiency. You may have to have your water quality professionally analyzed to determine whether you need to install a water softener. It is important that the water chemistry on both the domestic hot water and central heating sides are checked before installing the boiler, as water quality will affect the reliability of the system. Outlined below are those water quality parameters which need to be met in order for the system to operate efficiently for many years. **Failure of a heat exchanger due to lime scale build-up on the heating surface, low pH or other imbalance IS NOT covered by the warranty.**

To assure good extended service life, it is recommended that you test your water quality prior to installation. Listed below are some guidelines.

### WARNING

Do not use petroleum-based cleaning or sealing compounds in the boiler system. Damage to elastomer seals and gaskets in the system could occur, resulting in substantial property damage.

#### **Sodium less than 20 mGL**

#### **Water pH between 6.0 and 8.0**

1. Maintain boiler water pH between 6.0 and 8.0. Check with litmus paper or have chemically analyzed by water treatment company.
2. If pH differs from above, consult local water treatment company for treatment needed.

#### **Hardness less than 7 grains**

Consult local water treatment companies for unusually hard water areas (above 7 grains hardness).

#### **Chlorine concentration less than 100 ppm**

1. Filling with chlorinated fresh water should be acceptable since drinking water chlorine levels are typically less than 5 ppm.
2. Do not use the boiler to directly heat swimming pool or spa water.
3. Do not fill boiler or operate with water containing chlorine in excess of 100 ppm.

**Hardness:** 7 grains

**Chloride levels:** 100 ppm

**pH levels:** 6-8

**TDS:** 2000 ppm

**Sodium:** 20 mGL

#### **Clean system to remove sediment\***

1. You must thoroughly flush the system (without boiler connected) to remove sediment. The high-efficiency heat exchanger can be damaged by buildup or corrosion due to sediment.
2. For zoned systems, flush each zone separately through a purge valve. (If purge valves and isolation valves are not already installed, install them to properly clean the system.)
3. Flush system until water runs clean and you are sure piping is free of sediment.

**\*NOTE:** It is recommended you clean heat exchanger at least once a year to prevent lime scale buildup. Follow the maintenance procedure to clean the heat exchanger in the Maintenance Section (Part 12 of this manual).

#### **Test/replace freeze protection fluid**

1. For systems using freeze protection fluids, follow fluid manufacturer's instructions to verify inhibitor level and that other fluid characteristics are satisfactory.

2. Freeze protection fluid must be replaced periodically due to degradation of inhibitors over time. Follow all fluid manufacturer instructions.

**NOTE: BOILER FAILURE DUE TO IMPROPER WATER CHEMISTRY IS NOT COVERED BY WARRANTY.**

### **B. CHECK FOR GAS LEAKS**

#### **⚠ WARNING**

Before starting the boiler, and during initial operation, smell near the floor and around the boiler for gas odorant or any unusual odor. Remove boiler front door and smell interior of boiler enclosure. Do not proceed with startup if there is any indication of a gas leak. Repair any leaks at once.

#### **⚠ WARNING**

PROPANE BOILERS ONLY – Your propane supplier mixes an odorant with the propane to make its presence detectable. In some instances, the odorant can fade, and the gas may no longer have an odor. Before startup (and periodically thereafter), have the propane supplier verify the correct odorant level in the gas.

### **C. FREEZE PROTECTION (WHEN USED)**

#### **⚠ WARNING**

NEVER use automotive or standard glycol antifreeze. Do not use ethylene glycol made for hydronic systems. Use only freeze-protection fluids certified by fluid manufacturer as suitable for use with stainless steel boilers, verified in the fluid manufacturer's literature. Thoroughly clean and flush any system that has used glycol before installing the new boiler. Provide the boiler owner with a material safety data sheet (MSDS) on the fluid used.

1. Determine the freeze protection fluid quantity using total system water content following the fluid manufacturer's instructions. Remember to include expansion tank water content.
2. Local codes may require back flow preventer or actual disconnect from city water supply.
3. When using freeze protection fluid with automatic fill, install a water meter to monitor water makeup. Freeze protection fluid may leak before the water begins to leak, causing concentration to drop, reducing the freeze protection level.

### **D. FILL AND TEST WATER SYSTEM**

#### **⚠ WARNING**

Ensure the boiler is full of water before firing the burner. Failure to do so will damage the boiler. Such damage IS NOT covered by warranty, and could result in property damage, severe personal injury, or death.

1. Fill the system only after ensuring water chemistry meets the requirements listed in this manual.
2. Close the manual and automatic air vents and boiler drain valve.
3. Fill to the correct system pressure. Correct pressure will vary with each application.
  - a. Typical cold water fill pressure for a residential system is 12 psi.
  - b. Pressure will rise when boiler is turned on and system water temperature increases. Operating pressure must never exceed the relief valve pressure setting.
4. At initial fill and during boiler startup and testing, check system thoroughly for leaks. Repair all leaks before proceeding further.

#### **⚠ WARNING**

Eliminate all system leaks. Continual fresh make-up water will reduce boiler life. Minerals can build up in the heat exchanger, reducing heat transfer, overheating the heat exchanger and causing heat exchanger failure.

5. The system may have residual substances that could affect water chemistry. After the system has been filled and leak tested, verify that water pH and chlorine concentrations are acceptable by sample testing.

#### **⚠ CAUTION**

It is important to purge the system of air to avoid damage to the boiler.

### **E. PURGE AIR FROM WATER SYSTEM**

1. Purge air from the system:



- a. Connect a hose to the purge valve and route hose to an area where water can drain and be seen.
- b. Close the boiler or system isolation valve between the purge valve and fill connection to the system.
- c. Close zone isolation valves.
- d. Open quick-fill valve on cold water make-up line.
- e. Open purge valve.
- f. Open the isolation valves one zone at a time. Allow water to run through the zone, pushing out the air. Run water until no noticeable air flow is present. Close the zone isolation valves and proceed with the next zone. Follow this procedure until all zones are purged.
- g. Close the quick-fill water valve and purge valve and remove the hose. Open all isolation valves. Watch the system pressure rise to correct cold-fill pressure. It is recommended that you put the pumps into manual operation to assist in purging the circuits.
- h. Disconnect the wires that are connected to the THERMOSTAT terminals of the customer connection board. Apply power to the boiler. The display will show the temperature of the water in the boiler. Press the ▼ and **ENTER** keys simultaneously and hold for 1 second. The display will read:

```
SERVICE PUMP CH
PUMP ON          11:47A
```

The central heating pump will come on. If you then press the ▲ key, the central heating pump will shut off. The display will read:

```
SERVICE PUMP DH
PUMP ON          11:47A
```

The DHW pump will come on. If the boiler is set up as the cascade master and you press the ▲ key again, the DHW pump will shut off. The display will read:

```
SERVICE PUMP SH
PUMP ON          11:47A
```

- The system pump will come on. Use the ▲ and ▼ keys to toggle between running each pump in the system as required to help bleed out all entrapped air. Some good indicators that air is removed include the absence of gurgling noises in the pipes and pump operation becoming very quiet. Pressing ▲ and ▼ together at any time will return the boiler to normal operation.
- i. After the system has operated for five minutes, eliminate any residual air by using the manual air vents located throughout the system.
  - j. If purge valves are not installed in the system, open manual air vents in the system one at a time, beginning with the lowest floor. Close vent when water squirts out. Repeat with remaining vents.
  - k. Refill to correct pressure.

#### **F. CHECK THERMOSTAT CIRCUIT(S)**

1. Disconnect the two external wires connected to the boiler thermostat terminals (low voltage terminal strip).
2. Connect a voltmeter across these two incoming wires with power supplied to the thermostat circuits. Close each thermostat, zone valve and relay in the external circuit one at a time and check the voltmeter reading across the incoming wires.
3. There should NEVER be a voltage reading.
4. If a voltage reading does occur under any condition, check and correct the external wiring. (This is a common problem when using 3-wire zone valves.)
5. Once the external thermostat circuit wiring is checked and corrected if necessary, reconnect the external thermostat circuit wires to the boiler low voltage terminal strip. Allow the boiler to cycle.

#### **G. CONDENSATE REMOVAL**

1. The boiler is a high efficiency condensing boiler. Therefore, the unit has a condensate drain. Condensate fluid is nothing more than water vapor, derived from combustion products, similar to that produced by an automobile when it is initially started.

Condensation is slightly acidic (typically with a pH of 3 to 5) and must be piped with the correct materials. Never pipe the condensate using steel, copper, brass or other materials that will be subject to corrosion. Plastic PVC or CPVC pipe are the only approved materials.

A condensate neutralizer, if required by local authorities, can be made up of lime crystals, limestone or phosphate chips that will neutralize the condensate. This may be done by the installer or you may purchase a condensate neutralizer from HTP (7450-212).

2. The boiler is equipped with a ¾ female socket weld fitting connection that must be piped to a local drain. It is very important that the condensate line is sloped downward away from the boiler to a suitable inside drain. If the condensate outlet on the appliance is lower than the drain, you must use a condensate removal pump, available from HTP (554200). This pump is equipped with two leads that can be connected to an alarm or another type of warning device to alert the user of a condensate overflow, which, if not corrected, could cause property damage.
3. If a long horizontal run is used, it may be necessary to create a vent in the horizontal run to prevent a vacuum lock in the condensate line.
4. Do not expose the condensate to freezing temperatures.
5. It is very important you support the condensation line to assure proper drainage.

#### **H. FINAL CHECKS BEFORE STARTING BOILER**

1. Read Start-Up Procedure, Part 9 in this manual, for proper steps to start boiler. (See Start-Up Report to record steps for future reference.)
2. Verify the boiler and system are full of water and all system components are correctly set for operation.
3. Fill the condensate trap with water.
4. Verify electrical connections are correct and securely attached.
5. Inspect exhaust vent and intake piping for signs of deterioration from corrosion, physical damage, or sagging. Verify exhaust vent and intake piping are intact and correctly installed per Venting Section (Part 5) and local codes.

#### **I. CASCADE SYSTEM**

1. If a single boiler is installed, skip this section.
2. Programming the Master Boiler:
  - a. Make sure there is no demand for heat being supplied to the boiler.
  - b. Apply power to the boiler.
  - c. Enter the system setting program navigation following instructions in Part 10 of this manual.
  - d. Verify that the cascade address function 15 is set to 0. This sets the Master Boiler's address as 0. NOTE: The Master Boiler MUST be addressed as 0.
  - e. Change cascade mode function 23 to 926 Boiler. This makes it a Master Boiler.
  - f. Exit the installer menu.

**NOTE:** In order for the system to operate properly, the temperature set point of the master must match the follower boiler set point.

#### **NOTE: READ THE NOTES BELOW BEFORE PROGRAMMING FOLLOWER BOILERS:**

- The boiler addressed as 1 will share its alarm output with the master boiler.
- If one of the follower boilers has an indirect fired water heater connected to it, the address of this boiler must be 2 or greater.
- It is recommended but not necessary to address boilers in the order that they are wired.
- No two boilers can have the same address.
- It is not required to use all consecutive address numbers. Example: In a 2 boiler system with an indirect connected to the follower, the follower address would be 2 (address 1 is not used).

3. Programming Follower Boilers:
  - a. Make sure there is no demand for heat being supplied to the master boiler.
  - b. Apply power to the follower boiler you are working on.
  - c. Enter the system settings following instructions in Part 10 of this manual.
  - d. Set the Cascade Address parameter 15 to 1 for the first follower, 2 for the second follower, etc., depending on which boiler you are programming.
  - e. Change "CASCADE MODE" parameter to "926 BOILER". This makes the boiler a follower and enables all data to be transferred between boilers as needed for the system to function to full capability.
  - f. Exit the system menu.

**NOTE:** For the system to operate properly, the temperature set point of the follower must match that of the master boiler.

#### **J. LOCKOUT CONDITION**

If any boilers, including the master boiler in the cascade system, are in a lockout condition, the master control will recognize the lockout condition and skip over the boiler in the firing sequence. Each boiler in the cascade system is responsible for its own safety functions. So, if any individual boiler control senses an unsafe condition, it will extinguish the burner and, if necessary, go to a lockout condition. In

this way, every boiler in the system has its individual safety controls intact and operational, even if the firing of the boiler is under control of the master boiler.

## PART 9 – START-UP PROCEDURE

### **WARNING**

#### FOR YOUR OWN SAFETY READ BEFORE OPERATING

1. This boiler does not have pilot. It is equipped with an ignition device which automatically lights the burner. Do not try to light the burner by hand.
2. BEFORE OPERATING: smell all around the boiler area for gas. Be sure to smell next to the floor because some gas is heavier than air and will settle on the floor.

#### WHAT TO DO IF YOU SMELL GAS

- Do not try to light any boiler.
  - Do not touch any electric switch; do not use any phone in your building.
  - Immediately call your gas supplier from a neighbor's phone. Follow the gas suppliers' instructions.
  - If you cannot reach your gas supplier, call the fire department.
  - Turn off gas shutoff valve (located outside of the boiler) so that the handle is crosswise to the gas pipe. If the handle will not turn by hand, don't try to force or repair it, call a qualified service technician. Force or attempted repair may result in a fire or explosion.
4. Do not use this boiler if any part has been under water. Immediately call a qualified service technician to inspect the boiler and to replace any part of the control system and any gas control that has been damaged.
  5. The boiler shall be installed so the gas ignition system components are protected from water (dripping, spraying, rain, etc.) during boiler operation and service (circulator replacement, condensate trap, control replacement, etc.)

Failure to follow these instructions could result in property damage, serious personal injury, or death.

### **WARNING**

If you discover any evidence of a gas leak, shut down the boiler at once. Find the leak source with a bubble test and repair immediately. Do not start the boiler again until the leak is repaired. Failure to comply could result in substantial property damage, severe personal injury, or death.

### **A. CONTROL OVERVIEW**

The control is one of the primary safety devices of the boiler. It monitors the safety sensors of the boiler to assure safe and efficient operation.

The control has many features associated with system design. This section addresses programming features, including Boiler Settings / System Settings / Maintenance Settings and System Diagnostics, to help in customizing your control. It is important to fully understand control capabilities before customization, as its factory defaults may already fit your system design and not require any adjustment at all.

### **B. NAVIGATION OF THE DISPLAY**

The display includes a two-line backlit LCD readout to provide informative messages about the operation of the boiler. Many operating parameters can be viewed and adjusted by using the six buttons on the display. The function of each button is described below.

**RESET** – The RESET button has two functions.

- Resets any lockout error code
- Returns the user to the default display screen.

**ENTER** – The ENTER key is used to enter the parameter programming mode. To enter this mode, hold down the ENTER key for more than 4 seconds. The readout will change to:

|                        |
|------------------------|
| ENTER MENU CODE<br>000 |
|------------------------|

One of the zeroes will be blinking. Use the ▲▼ arrow keys to change the blinking digit to the correct value. Use the ◀▶ arrow keys to select the next digit to change and again use the ▼▲ keys to change the value. Repeat until the correct code is entered. Press the **ENTER** key to accept the code entered. If the code is correct, the readout will change to the appropriate screen. If the programming code is not accepted, the readout will continue to display as shown above.

The **ENTER** key is also used to enable a function for editing. After the user navigates to the desired function, the user would hold down the **ENTER** key for one second. When the **ENTER** key is released, the function value will begin to blink. The function can now be changed using the **▼ ▲ ARROW** keys. After the new value is displayed, the user then presses the **ENTER** key for 1 second to lock the new value of the function in. The value will then stop blinking.

**LEFT AND RIGHT ARROW KEYS** – **◀ ▶** are used to navigate between the default display, status display, analog and cascade displays if they are enabled. The **◀ ▶** keys are also used in programming modes to change between the programmable functions. It is recommended you use the Menu Maps in the back of this manual and the detailed menu instructions printed in this section to help in menu navigation.

**UP AND DOWN ARROW KEYS** – **▼ ▲** are used to navigate between the various functions displayed in the menu. After the function is enabled for editing by pushing the **ENTER** key, the **▼ ▲** keys are used to adjust the function upward or downward to the desired value.

**C. OPERATING INSTRUCTIONS**

Before operating the unit, it is important to remove the cover and verify that the gas line and water lines are connected to boiler and fully purged. If you smell gas, STOP; Follow the safety instructions listed in the first part of this section. If you do not smell gas, follow the next steps.

1. Turn down the thermostats before applying power to the boiler. If 0–10 volt or other inputs are used, make sure that they are set so there is no call for heat while programming.
2. Turn on the power to the boiler or boilers if a cascade system used.
3. Next, check the boiler settings. Adjustment and factory defaults are outlined within this section. If a cascade system is used, it is important that all the boilers have the same boiler settings.
4. Next, check the system settings. Adjustments and factory defaults are outlined within this section. If a cascade system is used, it is important that the Master Boiler is programmed with the correct system settings.
5. Create a demand on the boiler or boilers if a cascade system is used. The user can monitor system functions when the boilers are operational.
6. If the boilers fail to start, refer to the troubleshooting section in the back of this manual.

**D. PROGRAMMING BOILER SETTINGS**

**Boiler Setting Program Access**

**NOTE:** Programming the boiler control is not possible when the boiler is firing. Make sure any input which can create a demand on the boiler, such as the tank thermostat, is turned off, so the boiler will remain idle to allow programming.

| SCREEN                 | DESCRIPTION  |
|------------------------|--|
| ENTER MENU CODE<br>000 | To access the boiler setting program, press and hold the <b>ENTER</b> Key for 4 seconds, until the display shows the screen at left.                                     |
| ENTER MENU CODE<br>600 | Using the arrow keys, log in the <b>Boiler Menu Access Code “600”</b> . To confirm the code, press <b>ENTER</b> to access <b>Boiler Setting Program</b> navigation menu. |

**Table 15 – Programming Screens**

**Boiler Setting Program Navigation**

Once the code is confirmed, the user can now start to set **the Boiler Settings**. Use the arrow keys on the display to navigate through the **Boiler Setting Program**. A blinking setting indicates it can be changed. To change a setting, press the **ENTER** Key. Boiler settings can be increased by pressing the **UP ARROW ▲** and decreased by pressing the **DOWN ARROW ▼** on the display. When done, press **ENTER**. Setting will stop blinking and you can move on to next setting. Press **RESET** to exit programming and store settings. Listed below are the boiler settings that can be programmed into the control.

| SCREEN                    | DESCRIPTION   |
|---------------------------|---|
| CENTRAL HEAT<br>180 °F    | <b>Function:</b> Adjusts the boiler set point. Default: 180°F (Range: 50°F to 190°F).           |
| CENTRAL DIFF SET<br>30 °F | <b>Function:</b> Adjusts the boiler differential set point. Default: 30°F (Range: 5°F to 30°F). |
| DHW SET POINT<br>119 °F   | <b>Function:</b> Adjusts the indirect tank set point. Default: 119°F (Range: 70°F to 185°F).    |

|                            |  |
|----------------------------|--|
| DHW DIFF SET POINT<br>7 °F | <b>Function:</b> Adjusts the indirect tank differential set point. Default: 7°F (Range: 1°F to 30°F).          |
| TEMP DISPLAY C OR F<br>°F  | <b>Function:</b> Adjusts the temperature measurement in F = Fahrenheit to C = Celsius (Default is Fahrenheit). |

**Table 16 – Boiler Setting Screen Descriptions**

**Clock Settings**

(NOTE: The clock will reset if the boiler is powered off for more than a week.)

| SCREEN                                    | DESCRIPTION  |
|---|--|
| CLOCK MODE (12/24)<br>08/28/2009 Fr 9:42A | <b>Function:</b> Changes the clock from 12 hour mode (8:45 PM) to 24 hour mode (20:45). To change to 24 hour mode, press the <b>ENTER</b> key. The letter (A or P) after the time will blink. Press the up or down arrow key once and the letter will disappear. Press the <b>ENTER</b> key to save the new setting. |
| CLOCK HOUR<br>08/28/2009 Fr 10:01A        | <b>Function:</b> Allows the user to adjust the hour setting.   |
| CLOCK MINUTE<br>08/28/2009 Fr 10:01A      | <b>Function:</b> Adjusts the minute setting.   |
| CLOCK DAY OF WEEK<br>08/28/2009 Fr 10:01A | <b>Function:</b> Adjusts the day of week.  |
| CLOCK DATE MODE<br>08/28/2009 Fr 10:01A   | <b>Function:</b> Allows the user to switch to European date format (2009/08/28) from US format (08/28/2009).   |
| CLOCK YEAR<br>08/28/2009 Fr 10:01A        | <b>Function:</b> Adjusts the year setting.   |
| CLOCK MONTH<br>08/28/2009 Fr 10:01A       | <b>Function:</b> Adjusts the month setting.  |
| CLOCK DATE<br>08/28/2009 Fr 10:01A        | The clock is set.  |

**Table 17 – Clock Setting Screens**

**NOTE:** The clock does not automatically adjust for Daylight Savings Time, and requires manual adjustment.

**E. PROGRAMMING THE SYSTEM SETTING**

**System Setting Program Access**

**NOTE:** Programming the boiler control is not possible when the boiler is firing. Make sure any input which can create a demand on the boiler, such as the tank thermostat, is turned off, so the boiler will remain idle to allow programming.

| SCREEN                 | DESCRIPTION   |
|------------------------|---|
| ENTER MENU CODE<br>000 | To access the boiler setting program, press and hold the <b>ENTER</b> Key for 4 seconds, until the display shows the screen at left.  |
| ENTER MENU CODE<br>925 | Using the arrow keys on the display, log in your <b>System Menu Access Code “925”</b> . To confirm code, press <b>ENTER</b> to access system setting program navigation menu. |

**Table 18 – System Setting Access**

**F. SYSTEM SETTING PROGRAM NAVIGATION**

Once the **System Menu Access Code** is confirmed, the user can begin to set the system setting menu. Use the ◀ ▶ arrow keys on the display to navigate through the system setting program. To change a setting, press **ENTER**. System settings can be **increased** by pressing the **UP ARROW** and **decreased** by pressing the **DOWN ARROW** on the display. When done, press **ENTER**. Setting will stop blinking and you can move on to next setting. Press **RESET** to exit programming and store settings. Listed below are the boiler settings that can be programmed into the control.

| SCREEN             | DESCRIPTION   |
|--------------------|---|
| <b>Function 1</b>  | <b>Factory Program Mode</b>   |
| MODE<br>INDIRECT 1 | This screen indicates that the control is configured correctly. Do not change this setting. |

|   |   |
|---|---|
| <b>Function 3</b>                       | <b>DHW Tank Max Temp</b>  |
| DHW TANK MAX TEMP<br>180 °F 3           | This is the maximum temperature that can be selected for the DHW indirect tank set point in the boiler menu. Default: 180°F (Range: 95°F to 180°F).   |
| <b>Function 6</b>                       | <b>DHW Post Pump Time</b>   |
| DHW POST PUMP TIME<br>0 MINUTES 6       | The indirect pump has the ability to post purge energy from the boiler to run the pump after the set point has been achieved. Please note that running the pump for a time greater than 5 minutes may cause tank energy to be released back to the boiler heat exchanger. Default: 0 Minutes (Range: 0 – 10 minutes). |
| <b>Function 7</b>                       | <b>Warm Weather Shutoff</b>   |
| WARM WEATHER OFF<br>68 °F 7             | When used with an outdoor sensor, warm weather shut down will disable the boiler if the programmed outdoor temperature is exceeded. Default: 68°F (Range: 41°F to 122°F).   |
| <b>Function 8</b>                       | <b>Min Outdoor Temp</b>   |
| MIN OUTDOOR TEMP<br>5 °F 8              | Sets the minimum outdoor design temperature for the system. Default: 5°F (Range: -49°F to 32°F).  |
| <b>Function 9</b>                       | <b>Max Supply Temp</b>  |
| MAX SUPPLY TEMP<br>190 °F 9             | Sets the maximum design supply temperature based on the minimum outdoor design temperature. Default: 190°F (Range: 77°F to 190°F).  |
| <b>Function 10</b>                      | <b>Max Outdoor Temp</b>   |
| MAX OUTDOOR TEMP<br>68 °F 10            | Sets the maximum outdoor design temperature for the system design. Default: 68°F (Range 32°F to 190°F).   |
| <b>Function 11</b>                      | <b>Min Supply Temp</b>  |
| MIN SUPPLY TEMP<br>95 °F 11             | Sets the design supply water temperature based on the maximum outdoor design temperature. Default: 95°F (Range: 32°F to 190°F).   |
| <b>Function 12</b>                      | <b>Min Boiler Temp</b>  |
| MIN BOILER TEMP<br>68 °F 12             | Sets the design minimum heat curve temperature for central heat. Default: 68°F (Range: 32°F to 190°F).  |
| <b>Function 13</b>                      | <b>CH Post Pump Time</b>  |
| CH POST PUMP TIME<br>0 MINUTES 13       | Allows the user to set the boiler pump post purge time once the thermostat is satisfied. Default: 0 minutes (Range: 0 – 10 minutes).  |
| <b>Function 14</b>                      | <b>DHW Priority</b>   |
| DHW PRIORITY<br>30 MINUTES 14           | Allows the user to set the maximum run time for the indirect fired water heater and the minimum run time for central heating. Default: 30 minutes (Range: 0 – 60 minutes).  |
| <b>Function 15</b>                      | <b>Cascade Address</b>  |
| CASCADE ADDRESS<br>0 15                 | Bus addressing boilers (maximum boilers allowed 8 in a cascade system). Master Boiler address is 0 and Following Boilers are addressed 1 thru 7. Default: 0 (Range: 0 – 8). NOTE: DO NOT USE ADDRESS 8.   |
| <b>Function 16</b>                      | <b>Optional Inputs</b>  |
| OPTIONAL INPUT<br>RETURN SEN 16         | Allows the user to select from optional inputs to control or monitor the system. Default: RETURN (Range: Off / Booster Board / 0-10 Volt / DHW Sensor / Return Sen).  |
| <b>Function 17</b>                      | <b>0-10 Volt Function</b>   |
| 0-10 VOLT FUNCTION<br>TEMPERATURE 17    | Allows the user to control boiler modulation through temperature control. Default: Temperature (Range: Temperature or Fan Speed).   |
| <b>Function 18</b>                      | <b>Step Modulation Mode</b>   |
| STEP MODULATE MODE<br>ON 18             | Allows the user to turn ON the step modulation, which regulates burner output in six steps at one minute intervals. Step modulation will start at the last modulation rate of the boiler and work up one minute at a time. Default: OFF (Selection: OFF or ON).   |
| <b>Function 19</b>                      | <b>Boiler DHW Temp</b>  |
| BOILER SUPPLY DHW<br>180°F 19           | Allows the user to program the boiler supply water temperature to the indirect heat exchanger during a demand cycle. Default: 180°F (Range: 119°F to 190°F).  |
| <b>Function 20</b>                      | <b>Water Safety Input</b>   |
| WATER SAFETY INPUT<br>WATER PRESSURE 20 | The user can select various water safety inputs used in the boiler system. Default: Flow Switch (Range: None / Low Water Cut off / Flow Switch / Water Pressure).   |
| <b>Function 21</b>                      | <b>Error Outdoor Sensor</b>   |
| ERROR OUTD SENSOR<br>ON 21              | Allows the user to set the control to display an error message if an outdoor sensor is open or shorted. NOTE: This error does not stop the boiler from running. Factory Default: ON (Range: ON / OFF / PHOEN ON).   |
| <b>Function 22</b>                      | <b>Adjust Boiler Output %</b>   |
| ADJ BOILER OUTPUT<br>100% 22            | Allows the user to adjust the boiler output down from 100% to 50%. Factory Default: 100%. (Range: 100% – 50%)   |
| <b>Function 23</b>                      | <b>Cascade Mode</b>   |
| CASCADE MODE<br>VISION 3 23             | Allows the user to select cascade mode. Factory Default: Vision 3 (Range: 926 Boilers / Vision 3).  |
| <b>Function 24</b>                      | <b>Cascade Rotation</b>   |
| CASCADE ROTATION<br>48 HOURS 24         | Sets the amount of hours before the first boiler in the cascade firing rotation will be changed. NOTE: If this parameter is set to 0, the firing order of the boilers will not rotate. Default: 48 hours (Range: 0 – 240 hours).  |
| <b>Function 25</b>                      | <b>Cascade DHW Mode</b>   |
| NOT USED<br>NOT USED 25                 | Not used on this product.   |

|                                    |  |
|------------------------------------|--|
| <b>Function 26</b>                 | <b>System Freeze Protect</b>   |
| SYS FREEZE PROT<br>PROTECT OFF 26  | <b>NOTE:</b> This parameter is only present if the boiler is a cascade master. Allows the user to set the freeze protection when a system pump is used. Factory Default: OFF. Selection of temperature activates freeze protection. (Range: OFF, -40°F – 104°F).   |
| <b>Function 27</b>                 | <b>Error System Sensor</b>   |
| ERROR SYSTEM SENS<br>ON 27         | Allows the user to set the control to display an error message if the system sensor is open or shorted. <b>NOTE:</b> This error does not stop the boiler (or boilers) from running. Factory Default: ON (Range: ON / OFF).   |
| <b>Function 28</b>                 | <b>Freeze Protection</b>   |
| FREEZE PROTECTION<br>ON 28         | Allows the user to set freeze protection on the boiler. Factory Default: ON (Range: ON / OFF).   |
| <b>Function 29</b>                 | <b>DHW Modulation Mode</b>   |
| DHW MODULATE MODE<br>NORMAL MOD 29 | This parameter controls how the boiler modulates for a DHW demand. In NORMAL MOD mode, the boiler will modulate down from high fire when there is a DHW demand. In LOW MOD mode, the boiler will modulate up from low fire when there is a DHW demand. This mode is useful to minimize short cycling when a large boiler and small indirect tank are used together. Factory Default: NORMAL MOD (Range: NORMAL MOD / LOW MOD). |
| <b>Function 30</b>                 | <b>Extra Boiler Mode</b>   |
| EXTRA BOILER MODE<br>OFF 30        | Allows for a non HTP boiler to be controlled when the cascade output has risen above the percent of the cascade firing rate set in this parameter. Factory Default: Off (Range: 50% - 100%).   |
| <b>Function 31</b>                 | <b>System Sensor Mode</b>  |
| SYSTEM SENSOR MODE<br>OFF 31       | Suppresses the 'NO FOLLOWER' message on the display if the boiler is used as a cascade master boiler with no follower boilers connected. Factory Default: OFF (Range: ON / OFF).   |
| <b>Function 32</b>                 | <b>Service Schedule</b>  |
| SERVICE SCHEDULE<br>OFF 32         | Allows the user to select a service date or time based on the boiler run hours to program the boiler maintenance schedule. Factory Default: OFF (Range: Date or Run Hours). <b>NOTE:</b> Without setting this function, Functions 33/34/35/36 will not display.  |

**Table 19 – System Setting Menu Screens**

**NOTE:** For the following functions, you must have your maintenance function turned on.

To change, press **ENTER**. The left most digit will begin to blink. Use the up ▲ or down ▼ arrows to change the digit. Use the ◀▶ arrow keys to switch between digits. When you've made your selection, press **ENTER** again.

| SCREEN                                  | DESCRIPTION   |
|---|---|
| <b>Function 33</b>                      | <b>Year</b>   |
| SERVICE SCHEDULE<br>YEAR 00/00/2000 33  | Allows the user to set the year of the next service reminder.   |
|   | <b>Hours</b>  |
| SERVICE SCHEDULE<br>10000's 000000h 33  | Allows the user to set the left two digits of the amount of run hours before next service reminder.   |
| <b>Function 34</b>                      | <b>Month</b>  |
| SERVICE SCHEDULE<br>MONTH 00/00/2000 34 | If the date function was selected, this function allows the user to program the month. If you selected the run hour function, you will need to program 10,000 hours, if required. |
|   | <b>Hours</b>  |
| SERVICE SCHEDULE<br>10000's 000000 34   | Allows the user to set the two middle digits of the amount of run hours for the next service reminder.  |
| <b>Function 35</b>                      | <b>Day</b>  |
| SERVICE SCHEDULE<br>DAY 00/00/2000 35   | Allows the user to set the day of next service reminder.  |
|   | <b>Hours</b>  |
| SERVICE SCHEDULE<br>10000's 000000 35   | Allows the user to set the 2 right digits of the amount of run hours for the next service reminder.   |
| <b>Function 36</b>                      | <b>Telephone</b>  |
| TELEPHONE #<br>000 000 0000 36          | Allows the user to input a telephone number that will be displayed when maintenance is required.  |

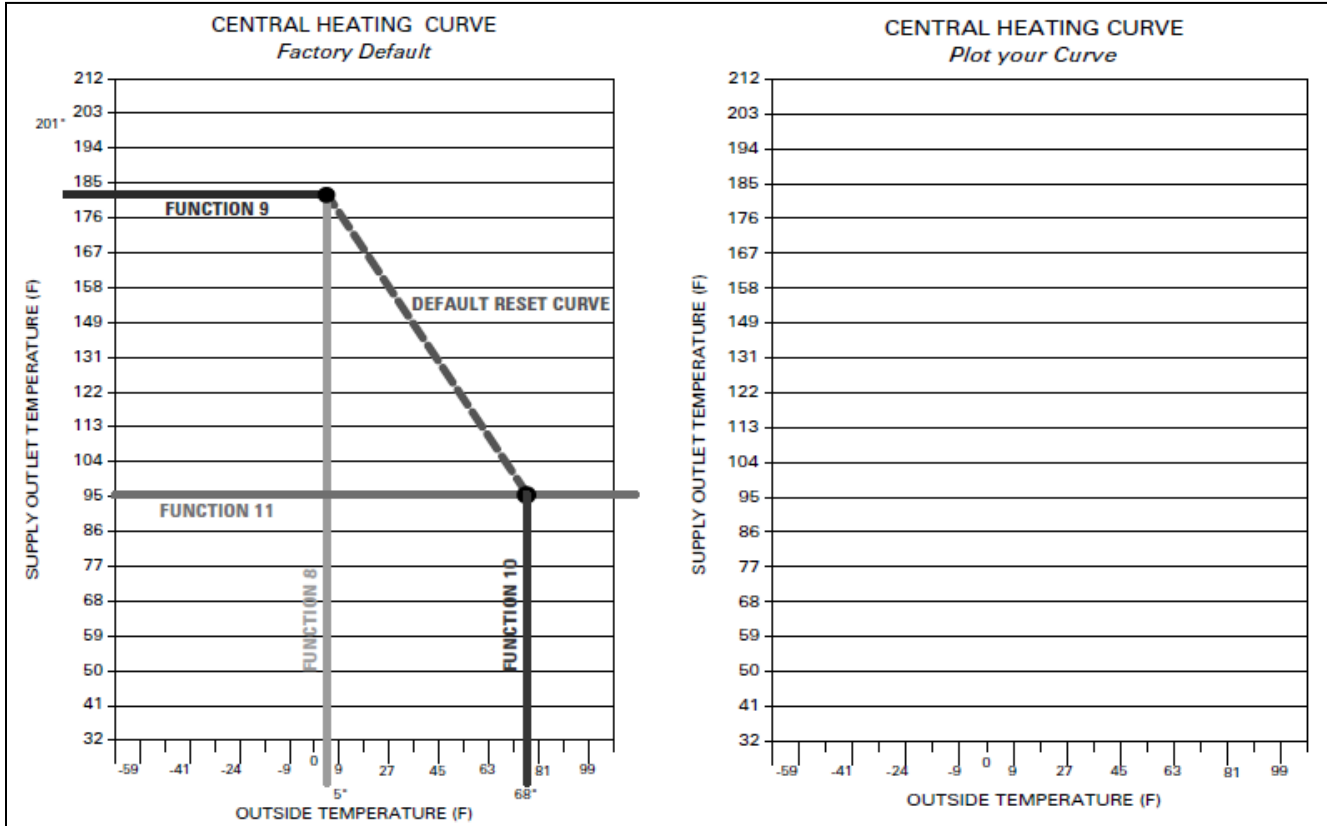
**Table 20 – Maintenance Reminder Function Screens**

### **G. RESETTING THE MAINTENANCE SCHEDULE**

When the system control flashes MAINTENANCE REQUIRED, it is advisable that you call for service. After the service is performed, reset the schedule for the next required service by using the following steps.

Press **ENTER** on the display for 3 seconds. The Menu code will appear as 000. This does not change. Press **ENTER** again. SERVICE SCHEDULE RESET will be displayed. Using the right arrow key ▶ scroll to the selection of year or hours. Select enter to reset the mode you are in. Use the up ▲ or down ▼ arrow key for each adjustment then select **ENTER** when reset is complete.

## PART 10 – START-UP PROCEDURES FOR THE INSTALLER



**Table 21 – NOTE:** It is important to note that the user can adjust the heat curve down by lowering the central heating temperature.

### A. BOILER CONTROL STATUS MENU

The boiler control also has the ability to review the status of the system. To access the status screens, simply press the right arrow ►. Once the first value is displayed, press the up arrow ▲ or down arrow ▼ to access additional information. At any point you may press the RESET button to exit the status screen. Listed below are the status screens.

| SCREEN                               | DESCRIPTION  |
|--------------------------------------|--|
| SUPPLY SEN 180°F<br>RETURN SEN 150°F | This screen is displayed after pressing the ► key as described above. This shows the actual temperature that the supply and return sensors are measuring. NOTE: If the boiler is configured to use a 0 – 10 volt input, the return sensor is disabled and the second line of the display will be blank.  |
| Press the ▼ key once.                |  |
| CH SET 180°F<br>SUPPLY 122°F         | The screen displays the current central heating temperature set point on the top line. NOTE: This temperature set point may vary from what was set in the boiler settings if an outdoor sensor is used. The actual temperature measured by the supply sensor is displayed on the bottom line.  |
| Press the ▼ key once.                |  |
| CH DEMAND OFF<br>BOILER              | This screen displays the central heat demand set for the cascade system.   |
| Press the ▼ key once.                |  |
| 0-10 SIGNAL ON<br>*                  | Shows if 0 – 10 volt is enabled.   |
| Press the ▼ key once.                |  |
| CAS SET 190 °F<br>SYSTEM 112 °F      | <b>NOTE:</b> This screen will appear only when set in Master Boiler mode. This screen displays the cascade set point (maximum 190°F) on the top line. The system sensor value reading is on the second line. The control will cascade the boilers up to this set point depending on demand.  |
| Press the ▼ key once.                |  |
| DHW SET 119 °F<br>DHW 117 °F         | This screen displays the domestic hot water temperature set point on the top line. The actual temperature measured by the tank or return line sensor (HTP 7250P-325) is displayed on the bottom line. If a mechanical aquastat is used in place of the recommended sensor, the second line will display 'OFF' in place of the temperature if the aquastat measures close to its set temperature, or 'ON' in place of the temperature if the aquastat temperature is too low. |
| Press the ▼ key once.                |  |
| OUTDOOR 11 °F<br>FLUE 95 °F          | The current outdoor temperature is displayed on the top line. If there is no outdoor sensor connected to the boiler, this line will display 'OFF' in place of the temperature. If the outdoor sensor is shorted, this line will display 'ON' in place of the temperature. The second line displays the current flue temperature of the boiler.   |



|                                   |   |
|-----------------------------------|---|
| Press the ▼ key once.             |   |
| FLAME 0.0uA<br>FAN SPEED 3497 RPM | This screen displays the boiler flame current on the top line. The second line displays the fan speed in the boiler.  |
| Press the ▼ key once.             |   |
| 0-10 V 0.0 V<br>BOILER            | The top line displays the voltage on the optional input. This voltage is only relevant if an external 0-10 volt signal is being used to control the boiler.   |
| Press the ▼ key once.             |   |
| BUS COMM NO CONN                  | This display shows the status of the communication bus between multiple boilers. If the boiler is in a single boiler configuration, the display will show 'NO CONN'. If the boiler is used in a multiple boiler configuration, is the Master Boiler, and other boilers are connected to the communication bus and powered, this screen will show the address of each boiler connected to the bus. |
| Press the ▼ key once.             |   |
| POWER ON 0H<br>CH ON 0H           | The top line of this display indicates the amount of hours the boiler has had power applied to it over its life. The second line indicates how many hours the burner has been on for central heat demand over its life.   |
| Press the ▼ key once.             |   |
| DHW ON<br>GOOD IGNIT 1X           | The top line of this display indicates the amount of hours the burner has been on for domestic hot water demand in the life of the boiler. The second line indicates how many times the burner has successfully ignited in the life of the boiler.  |
| Press the ▼ key once.             |   |
| SYS CH ON 0h<br>SYS DWH ON 0h     | This screen displays how many hours the boiler has run to meet central heat and DWH demand.   |

**Table 22 – Boiler Control Status Menu Screens**

The following 10 screens display the last ten boiler lockout faults. The faults are displayed from most recent to oldest by pressing the ▼ key.

| SCREEN                                  | DESCRIPTION  |
|---|--|
| Press the ▼ key once.                   |  |
| FAULT HISTORY 1<br>07/27/2009 Mo 5:19A  | This screen displays the last lockout fault the boiler controller had. The top line will alternate between the words 'FAULT HISTORY' and the actual fault encountered. The bottom line displays the date and time the fault occurred.  |
| Press the ▼ key once.                   |  |
| FAULT HISTORY 2<br>08/28/2009 Fr 5:19A  | This screen displays the second oldest lockout fault that occurred in the boiler controller. The top line will alternate between the words 'FAULT HISTORY' and the actual fault encountered. The bottom line will display the date and time that the fault occurred.         |
| Press the ▼ key once.                   |  |
| FAULT HISTORY 3<br>08/28/2009 Fr 5:19A  | This screen displays the third oldest lockout fault that occurred in the boiler controller. The top line will alternate between the words 'FAULT HISTORY' and the actual fault encountered if one has occurred. The bottom line displays the date and time a fault occurred. |
| Press the ▼ key once.                   |  |
| FAULT HISTORY 4<br>08/28/2009 Fr 5:19A  | This screen displays the fourth oldest lockout fault that occurred in the boiler controller. The top line will alternate between the words 'FAULT HISTORY' and the fault encountered. The bottom line displays the date and time the fault occurred.                         |
| Press the ▼ key once.                   |  |
| FAULT HISTORY 5<br>08/28/2009 Fr 5:19A  | This screen displays the fifth oldest lockout fault that occurred in the boiler controller. The top line will alternate between the words 'FAULT HISTORY' and the fault encountered. The bottom line displays the date and time the fault occurred.                          |
| Press the ▼ key once.                   |  |
| FAULT HISTORY 6<br>08/28/2009 Fr 5:19A  | This screen displays the sixth oldest lockout fault that occurred in the boiler controller. The top line will alternate between the words 'FAULT HISTORY' and the fault encountered. The bottom line displays the date and time the fault occurred.                          |
| Press the ▼ key once.                   |  |
| FAULT HISTORY 7<br>08/28/2009 Fr 5:19A  | This screen displays the seventh oldest lockout fault that occurred in the boiler controller. The top line will alternate between the words 'FAULT HISTORY' and the fault encountered. The bottom line displays the date and time the fault occurred.                        |
| Press the ▼ key once.                   |  |
| FAULT HISTORY 8<br>08/28/2009 Fr 5:19A  | This screen displays the eighth oldest lockout fault that occurred in the boiler controller. The top line will alternate between the words 'FAULT HISTORY' and the fault encountered. The bottom line displays the date and time the fault occurred.                         |
| Press the ▼ key once.                   |  |
| FAULT HISTORY 9<br>08/28/2009 Fr 5:19A  | This screen displays the ninth oldest lockout fault that occurred in the boiler controller. The top line will alternate between the words 'FAULT HISTORY' and the fault encountered. The bottom line displays the date and time the fault occurred.                          |
| Press the ▼ key once.                   |  |
| FAULT HISTORY 10<br>08/28/2009 Fr 5:19A | This screen displays the tenth oldest lockout fault that occurred in the boiler controller. The top line will alternate between the words 'FAULT HISTORY' and the fault encountered. The bottom line displays the date and time the fault occurred.                          |

**Table 23 – Fault History Screens**

**B. CASCADE MENU**

This menu is accessed by pressing the ◀ key from the default menu or the ▶ key from the status menu.

| SCREEN                                    | DESCRIPTION  |
|---|--|
| CASCADE MASTER READY<br>SYS PUMP OFF      | This screen tells the user that the boiler is configured as a Cascade Master Boiler and that the cascade system is ready to accept a demand for heat. The second line indicates the status of the system pump output of the cascade system. This screen will alternate with the default screen every 5 seconds or it can be accessed by pressing the ◀ key from the default screen.  |
| CASCADE NO FOLLOWER<br>SYS PUMP OFF       | This screen is displayed when the boiler is configured as a Master Boiler and there are no connected follower boilers, or the follower boilers are not powered. The second line indicates status of the cascade system pump output. This screen will alternate with the default screen every 5 seconds or it can be accessed by pressing the ◀ key from the default screen.  |
| CASCADE NO SENSOR<br>SYS PUMP OFF         | This screen is displayed when the boiler is configured as a Master Boiler and there is no system temperature sensor connected or the system sensor is defective. The cascade system will still function in this situation with reduced efficiency. All boilers will run simultaneously rather than in a staged fashion. The second line indicates the status of the system pump output of the cascade system. This screen will alternate with the default screen every 5 seconds or it can be accessed by pressing the ◀ key from the default screen.  |
| CASCADE TT 0123 567<br>SYS PUMP ON 12:47P | Shows information about cascade status. The TT in the center of the top line shows that the cascade demand is coming from the TT contact being closed. You may also see DHW if the demand is from a DHW sensor, or 0-10 if the demand is from a 0-10 volt input. The following numbers show which boiler addresses are currently communicating to the master. If a boiler address is not used or communicating, the number will not show on the display. In the example above, boiler address #4 is not communicating. When a boiler in the system is firing, its address number will alternate with a '.' to signify it is firing. The bottom line shows the status of system pump output contacts. |
| Press the ▼ key once.                     |  |
| CASCADE PWR 100%<br>PRESENT 01234567      | This screen shows the overall cascade power output. The range of this value is the number of boilers communicating with the Master x 100. For example, if 8 boilers are connected and communicating, the maximum cascade power is 800%. The second line shows which boiler addresses are communicating with the Master.  |
| Press the ▼ key once.                     |  |
| CASCADE SYST 118°F<br>CASCADE SET 190°F   | This screen shows the current system temperature sensor reading on the top line and the cascade system temperature setting on the bottom.  |
| Press the ▼ key once.                     |  |
| BOILER 0 100%<br>BOILER 1 56%             | This screen shows the current cascade power demand output on a per connected boiler basis for boilers addressed as 0 and 1. In the screen above, boiler 0 is being commanded to fire at 100% and boiler 1 at 56%. If this were a 2 boiler system, the 'CASCADE PWR' screen above would read 156%.  |
| Press the ▼ key once.                     |  |
| BOILER 2 0%<br>BOILER 3 0%                | This screen shows the current cascade power demand output on a per connected boiler basis for boilers addressed as 2 and 3.  |
| Press the ▼ key once.                     |  |
| BOILER 4 0%<br>BOILER 5 0%                | This screen shows the current cascade power demand output on a per connected boiler basis for boilers addressed as 4 and 5.  |
| Press the ▼ key once.                     |  |
| BOILER 6 0%<br>BOILER 7 0%                | This screen shows the current cascade power demand output on a per connected boiler basis for boilers addressed as 6 and 7.  |

**Table 24 – Cascade Menu Screens**

**C. BOILER TEST MODE ACCESS**

This function is intended to simplify the gas adjustment. Listed in Table 25 are the recommended combustion settings for the gas type selected to run the boilers. Automatic modulation does not take place when the controller is in test mode. However, the boilers will modulate down if the program set point is reached while running in test mode. It is recommended you have the largest load possible to create a heat demand so the test mode operation will not be interrupted. To enter test mode, press the ▲ and ENTER keys simultaneously. To exit, press ▲ and ▼ simultaneously.

**NOTE:** The boiler will automatically exit test mode after 20 minutes of operation.

|             |          |
|-------------|----------|
| SERVICE RUN | 3400 RPM |
| PUMP ON     | 4:49P    |

| COMBUSTION SETTINGS ON ALL MODELS |             |             |       |             |           |           |
|-----------------------------------|-------------|-------------|-------|-------------|-----------|-----------|
| Fan Speed                         | Natural Gas |             |       | Propane LP  |           |           |
|                                   | Low         | Ignition    | High  | Low         | Ignition  | High      |
| Carbon Monoxide PPM               | 5 – 50      | 60 - 100    | < 150 | 5 – 50      | 60 - 100  | < 150     |
| Carbon Dioxide (CO <sub>2</sub> ) | 8 - 10%     | 8 ½ - 10 ½% |       | 8 ½ - 10 ½% | 9 - 10 ½% | 9 ½ - 11% |

**Table 25**

ELITE FAN SPEEDS

| MODEL   | IGNITION | MIN  | MAX  |
|---------|----------|------|------|
| 80      | 3000     | 1700 | 4600 |
| 110     | 3800     | 1700 | 4950 |
| 150     | 3800     | 1700 | 5200 |
| 220     | 3000     | 1450 | 4900 |
| 299/301 | 3000     | 1450 | 5000 |
| 399     | 3000     | 1600 | 6650 |

Table 26

## PART 11 – TROUBLESHOOTING

### A. BOILER ERROR CODE

If any of the sensors detect an abnormal condition, or an internal component fails during the operation of the boiler, the display may show an error message and error code. This message and code may be the result of a temporary condition, in which case the display will revert to its normal readout when the condition is corrected, or it may be a condition that the controller has evaluated as not safe to restart the boiler. In this case, the boiler control will be locked out, the red FAULT light will be lit, and the message “LOCKOUT” will be displayed on the readout on the lower line.

The Boiler will not start until a qualified technician has repaired the boiler and pressed the RESET button for more than 1 second. If there is an error message displayed on the readout, and the message “LOCKOUT” is not displayed and the FAULT light is not lit, then the message is the result of a temporary condition and will disappear when the problem corrects itself.

**IMPORTANT NOTE:** If you see error messages on your display readout, call a technician immediately, since the message may indicate a more serious problem will occur soon.

### B. BOILER ERROR

When an error condition occurs, the controller will display a description and code on the display readout. These error messages and their recommended corrective actions are described in Section D.

### C. BOILER FAULT

1. When a fault condition occurs, the controller will illuminate the red “FAULT” indication light and display a fault message in the screen. The alarm output will also activate. Most fault conditions cause the CH pump to run in an attempt to cool the boiler.
2. Note the fault message displayed and refer to Section D in this part for an explanation of the message along with several suggestions for corrective actions.
3. Press the reset key to clear the fault and resume operation. Be sure to observe the operation of the unit for a period of time to assure correct operation and no reoccurrence of fault message.

### **WARNING**

When servicing or replacing any components of this boiler, be certain that:

- The gas is off.
- All electrical power is disconnected.

### **DANGER**

When servicing or replacing components that are in direct contact with boiler water, be certain that:

- There is no pressure in the boiler. (Pull the release on the relief valve. Do not depend on the pressure gauge reading.)
- The boiler water is not hot.
- The electrical power is disconnected.

### **WARNING**

**DO NOT USE THIS APPLIANCE IF ANY PART HAS BEEN SUBMERGED IN WATER.** Immediately call a qualified service technician. The appliance **MUST BE** replaced if it has been submerged. Attempting to operate an appliance that has been submerged could create numerous harmful conditions, such as a potential gas leakage causing a fire and/or explosion, or the release of mold, bacteria, or other harmful particulates into the air. Operating a previously submerged appliance could result in property damage, severe personal injury, or death.

**NOTE:** Appliance damage due to flood or submersion is considered an Act of God, and IS NOT covered under product warranty.

## ⚠ CAUTION

This appliance has wire function labels on all internal wiring. Observe the position of each wire before removing it. Wiring errors may cause improper and dangerous operation. Verify proper operation after servicing.

## ⚠ CAUTION

If overheating occurs, or the gas supply fails to shut off, do not turn off electrical power to the circulating pump. This may aggravate the problem and increase the likelihood of boiler damage. Instead, shut off the gas supply to the boiler at the gas service valve.

### D. USER INTERFACE DISPLAY

#### Cascade Control FAULT Codes

| SCREEN  | DESCRIPTION  | POSSIBLE REMEDY  |
|---|--|--|
| <b>Fault Code E03<br/>System Sensor Failure</b>   |  |  |
| SYS SUPPLY SENSOR<br>PUMP OFF           E03   | <p>This screen shows that there is a problem with the system sensor circuit. The circuit could be open or shorted. Possible reasons for this error are:</p> <p>There is no system sensor connected to the Master Boiler.</p> <p>The system sensor is faulty.</p> <p>There is a short circuit in the system sensor wiring; possibly from a staple placed through the wire, or damage to the wire causing both conductors to touch.</p> <p>The system sensor wiring is open due to defect or damage.</p>   | <p>Disconnect the system sensor from the wiring and measure the resistance of it. Compare the measured resistance to the table in this manual to see if it corresponds to the temperature of the sensor. If the resistance does not agree with the sensor, replace the sensor. If the sensor is OK, disconnect the sensor wiring from both the boiler and the sensor and check continuity using an ohmmeter. Repair or replace as necessary.</p> <p>If this error is present, all boilers in the cascaded group will run and ignite simultaneously when there is a heat demand. Each boiler will modulate to maintain set point temperature on its own supply sensor. This code will reset automatically when repair is complete. This code will not display if system setting function ERROR SYSTEM SENS is set to OFF.</p> |
| <b>Fault Code TT<br/>Temperature Blocking TT Demand</b>   |  |  |
| TEMPER BLOCKING<br>PUMP ON           TT   | <p>This screen indicates a temporary hold on the burner. There is a demand on the boiler, the pump is powered on, but the temperature of the water at the supply sensor is too high for the boiler to ignite. This occurs because the water temperature measured by the supply sensor is higher than the boiler temperature – ignition diff setting. This error will clear itself when the water temperature measured by the supply sensor is less than the boiler temperature – ignition diff setting.</p>  |  |
| <b>Fault Code DHW<br/>Temperature Blocking DHW Demand</b>   |  |  |
| TEMPER BLOCKING<br>PUMP ON           DHW  | <p>This display indicates a temporary hold on the burner. There is a demand on the boiler from the DHW circuit for heat, the pump is powered on, but the boiler supply sensor indicates that the water temperature is too high to ignite. This is a temporary hold on the burner only and all other functions will remain functioning properly. This error will clear itself when either the boiler supply temperature drops below the BOILER SUPPLY minus boiler supply differential (5°F) or DHW SETPOINT is satisfied and no longer calls for heat.</p> |  |
| <b>Fault Code PRO</b>   |  |  |
| LOW WATER PRESS<br>PUMP OFF         PRO   | <p>This display indicates that there is low water pressure in the boiler. This code will reset automatically after the water pressure is high enough for the boiler to run safely. The second line indicates the status of the pump. Note that while the water pressure is low, the pump will be off.</p>  | <ol style="list-style-type: none"> <li>1. Assure that the system pressure is above 10 psig.</li> <li>2. Check for leaks in the system piping.</li> </ol>   |
| <b>Fault Code FLU</b>   |  |  |
| HIGH FLUE PRESS FLU<br>PUMP ON  | <p>This display indicates that there is excessive flue pressure. This code resets automatically after the high pressure condition is resolved. The second line indicates the status of the pump.</p>   | <ol style="list-style-type: none"> <li>1. Assure that the flue is not blocked.</li> <li>2. Check the switch wiring by applying a jumper in place of the switch. If the code clears with the jumper in place, REPLACE the flue switch and connect the wires to the new switch BEFORE running boiler.</li> </ol>   |
| <b>WARNING:</b> Do not use jumper to remedy an FLU error. Faulty switch MUST be replaced. Failure to do so could result in serious injury or death. |  |  |

| Fault Code LOU                          |   |   |
|---|---|---|
| <p>24 VOLT LOW LOU<br/>PUMP ON</p>      | <p>This display indicates that the 24 volt power supply on the control is damaged or overloaded. This code resets automatically if it is the result of an overload and that overload condition is removed. The second line indicates the status of the pump. Note that while 24 volt power is low, the pump output will be on.</p>  | <ol style="list-style-type: none"> <li>1. Check line voltage. It must be between 100 and 128 volts.</li> <li>2. If available, connect PC, and using HTP service software check the 24v supply display in the lower left corner of the screen. The number displayed here must be greater than 128 and should be no greater than 250. Use this as a troubleshooting guide as you follow the steps below.</li> <li>3. Remove the 10 pin Molex connector from customer connection board. If the message clears, then the problem is with the external sensor wiring. Examine the external sensor wiring for shorts to the ground, repairing as necessary. If the message is still present and the boiler is so equipped, disconnect the UL 353 low water cut-off to see if the message clears. Replace the faulty part. Check the low voltage wire harness in boiler for shorts to ground.</li> <li>4. If a message only occurs when the burner tries to light, check the gas valve for excessive current draw.</li> <li>5. If a message is present with the low voltage harness disconnected from the 926 control board, replace the 926 control board.</li> </ol>       |
| Fault Code F00                          |   |   |
| <p>WATER HIGH TEMP F00<br/>PUMP ON</p>  | <p>This display indicates if the water in the boiler has overheated. This code indicates a serious safety issue and the boiler will not restart until it cools sufficiently and a technician repairs the cause of overheating and pushes the RESET button on the display. This is a serious situation and is indicated by the red light on the display illuminating and the word LOCKOUT flashing on the display. During this lockout fault, the pump will be on as indicated on the second line in an effort to cool the boiler down.</p>  | <ol style="list-style-type: none"> <li>1. Check circulator pump operation</li> <li>2. If the circulator pump is running, be sure that there is water in the system and that the water is moving through the system as intended. Be sure that all correct ball valves and or zone valves are open or closed as intended.</li> <li>3. Observe the temperature/pressure gauge. If the water is not too hot and this message is displayed, check the wiring to the water ECO sensor and repair if necessary. If the wiring is ok and this code is still present and the water is not excessively hot, replace the ECO sensor.</li> </ol>  |
| Fault Code F01                          |   |   |
| <p>FLUE TEMP/WAT LV F01<br/>PUMP ON</p> | <p>This code indicates that one of the safety interlock switches present in the unit has tripped. There are several interlock switches that could possibly trip and cause this error. The following switches are installed standard equipment in all boilers.</p> <ol style="list-style-type: none"> <li>1. Flue ECO – Trips if the flue temperature is excessive. This switch has to be manually reset.</li> <li>2. Blocked vent pressure switch (BVPS) – This switch trips if there is excessive pressure in the flue and automatically resets.</li> <li>3. <b>(EL-299 / 301 / 399 models ONLY)</b> Boiler module front temperature switch - Trips if there is excessive heat on the front of the heat exchanger.</li> </ol> <p>The UL 353 Low Water Cutoff (LWCO) is optional and may be installed on the boiler. This device trips if the water level in the boiler is low. This switch must be manually reset.</p> | <ol style="list-style-type: none"> <li>1. Check to see if the boiler with the F01 code displayed has an optional UL 353 LWCO installed.</li> <li>2. If so, check to see if the indicator light on shows that the LWCO has tripped.</li> <li>3. If the LWCO has tripped, restore the proper water level. Then manually reset the switch and boiler.</li> <li>4. If there are no optional switches or none of the indicator lights is illuminated on the optional switches then use an ohmmeter to test each of the standard switches one at a time. Turn the power off to the boiler and disconnect the switch to be tested from the boiler to determine which one has tripped. When you find the tripped switch investigate the cause of the fault based on the purpose of the switch. NOTE: The common reasons for the temperature switches to trip are a) low water flow through the boiler, or b) poor heat transfer from the water to the load.</li> <li>5. If no switches are tripped, push RESET on the boiler. If the boiler tries to ignite or ignites and only runs for a short time and the F01 code returns, investigate the flue for blockage.</li> </ol> |
| Fault Code F02                          |   |   |
| <p>SUPPLY SENSOR F02<br/>PUMP ON</p>    | <p>Indicates that the supply temperature sensor of the boiler has failed. This is a serious safety issue and the boiler will not restart until the sensor is replaced by a technician and he pushes the RESET button on the display. This situation is indicated by the red light on the display and the flashing word LOCKOUT. During this lockout fault, the pump will be on as indicated on the second line of the display.</p>  | <ol style="list-style-type: none"> <li>1. Check the electrical connection to the thermistor on the outlet manifold. Verify 5 VDC by checking in Molex connector. If there is no 5 VDC, check the harness. If harness is OK, replace control. NOTE: The boiler will reset automatically. Verify thermistor values by referencing chart in this manual.</li> <li>2. Replace thermistor if necessary.</li> </ol>   |

| Fault Code F03                  |  |  |
|---------------------------------|--|--|
| RETURN SENSOR F03<br>PUMP ON    | This display indicates that the return temperature sensor of the boiler has failed. This code indicates a serious safety issue and the boiler will not restart until the sensor is replaced by a technician and he pushes the RESET button on the display. This situation is indicated by the red light on the display and the word LOCKOUT flashing on the display. During this lockout fault, the pump will be on as indicated on the second line of the display.  | <ol style="list-style-type: none"> <li>1. Check circulator pump operation.</li> <li>2. Assure that there is adequate flow through the boiler by accessing the status menu and assuring that there is less than a 50°F rise from the return thermistor to the supply thermistor.</li> <li>3. Troubleshoot thermistor by following steps in <b>F02</b>.</li> </ol>   |
| Fault Code F04                  |  |  |
| FLUE SENSOR F04<br>PUMP ON      | This display indicates that the flue temperature sensor of the boiler has failed. This is a serious safety issue. The boiler will not restart until the sensor is replaced by a technician and he pushes the RESET button on the display. This situation is indicated by the red light and the flashing word LOCKOUT on the display. During this lockout fault, the pump will be on as indicated on the second line of the display.  | Inspect the flue sensor for physical damage or corrosion and replace it if necessary. Check the electrical connection to the flue sensor and repair as necessary. Measure the resistance of the sensor and refer to the chart in Table 28 of this manual. The temperature on the chart should be close to the same as the temperature in the flue. If not, replace the flue sensor.  |
| Fault Code F05                  |  |  |
| SUPPLY TEMP HIGH F05<br>PUMP ON | This display indicates that the supply temperature of the boiler is excessive. If accompanied by the red FAULT light and LOCKOUT flashing on the display, this code indicates that the temperature on the supply sensor has exceeded 230°F and a serious safety issue exists. The boiler will not restart until the cause of excessive temperature is repaired by a technician and the RESET button is pushed on the display.<br>If the FAULT light is not illuminated and this message is displayed, then the supply temperature of the boiler is at or above 210°F. The message will clear automatically when the temperature drops below 194°F. During the time that this message or lockout fault is displayed, the pump will be on as indicated on the second line. | <ol style="list-style-type: none"> <li>1. Check circulator pump operation.</li> <li>2. Assure that there is adequate flow through the boiler by accessing the status menu and assuring that there is less than a 50°F rise from the return thermistor to the supply thermistor.</li> <li>3. Check the direction of flow off the boiler circulator. (See Piping Details in this manual.)</li> <li>4. Troubleshoot the thermistor by following steps in <b>F02</b>.</li> </ol>                                   |
| Fault Code F06                  |  |  |
| RETURN TEMP HIGH F06<br>PUMP ON | This display indicates that the return temperature of the boiler is excessive. If accompanied by the red FAULT light and LOCKOUT flashing on the display, the return sensor temperature has exceeded 230°F and a serious safety issue exists. The boiler will not restart until the cause of excessive temperature is repaired by a technician and the boiler is RESET.<br>If the red FAULT light is not illuminated, then the return temperature of the boiler is at or above 210°F. The message will clear automatically when the temperature drops below 194° F. During the time that this message or lockout fault is displayed, the pump will be on as indicated on the second line.  | <ol style="list-style-type: none"> <li>1. Check circulator pump operation.</li> <li>2. Assure that there is adequate flow through the boiler by accessing the status menu and assuring that there is less than a 50°F rise from the return thermistor to the supply thermistor.</li> <li>3. Check the direction of flow on boiler circulator. (See Piping Details in this manual.)</li> <li>4. Troubleshoot thermistor by following steps in <b>F02</b>.</li> </ol>  |
| Fault Code F09                  |  |  |
| NO FLAME ON IGN F09<br>PUMP ON  | The boiler tried to ignite four times during one heat call and failed. The red FAULT light and LOCKOUT will flash on the display. This code indicates a serious safety issue. The boiler will not restart until the cause of ignition failure is repaired by a technician and he pushes the RESET button on the display. During this lockout fault, the pump will remain on as indicated on the second line of the display.  | <ol style="list-style-type: none"> <li>1. Watch the igniter through the observation window provided.</li> <li>2. If there is no spark, check the spark electrode for the proper .196" (5.0 mm ± 1mm) gap.</li> <li>3. Remove any corrosion from the spark electrode and flame rectifier probe.</li> <li>4. If there is a spark but no flame, check the gas supply to the boiler.</li> <li>5. If there is a flame, check the flame sensor.</li> <li>6. Check any flue blockage or condensate blocks.</li> </ol> |

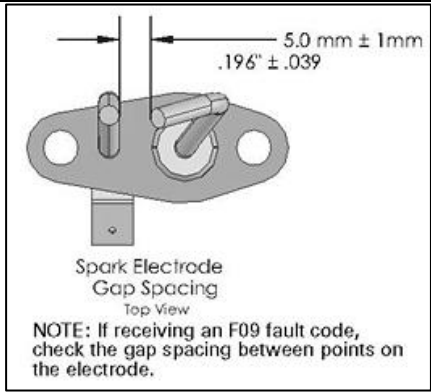


Figure 33

|  |  |   |
|--|--|---|
|  |  | <p>NOTE: If receiving an F09 fault code, check the gap spacing between points on the electrode.</p> |
|--|--|---|

**Fault Code F10**

|                       |   |   |
|-----------------------|---|---|
| <p>FLAME LOSS F10</p> | <p>The flame was lost while the boiler was firing 3 times during 1 demand call. The red light will display and the word LOCKOUT will flash. This code indicates a serious safety issue. The boiler will not restart until the cause of flame loss is determined by a technician and he pushes the RESET button on the display. During this lockout fault, the pump will be on as indicated on the second line of the display.</p> | <ol style="list-style-type: none"> <li>1. Monitor the gas pressure to the boiler while in operation.</li> <li>2. Assure that the flame is stable when lit.</li> <li>3. Check to see if the display readout changes from "GAS VALVE ON" to "RUN" within a few seconds after the boiler ignites.</li> <li>4. Check the FLAME signal on the status display. It should be above 1.0 when the boiler is firing.</li> <li>5. If the signal reads less than 1 microampere, clean the flame rectifier and spark probe.</li> <li>6. If the problem persists and the 'FLAME' signal is still less than 1.0, replace the flame probe and spark igniter probe.</li> <li>7. The flame signal should be steady after the boiler has been firing for 1 minute and is normally at 5.0 to 9.0. If the flame signal is not steady, disassemble the burner door and check the burner and its sealing gaskets.</li> </ol> |
|-----------------------|---|---|

**Fault Code F11**

|  |  |  |
|--|--|--|
| <p>FALSE FLAME SIG F11<br/>PUMP ON</p> | <p>There is flame when the control is not telling the boiler to run. The red light will display and the word LOCKOUT will flash. This code indicates a serious safety issue. The boiler will not restart until the cause is determined by a technician and he pushes the RESET button on the display. During this lockout fault, the pump will be on as indicated on the second line of the display.</p> | <ol style="list-style-type: none"> <li>1. Look into window. If there is flame, turn the gas off to the boiler at the service valve and replace the gas valve.</li> <li>2. If the flame signal on the status menu is greater than 1.0 when the burner is not lit, replace the spark igniter and the flame rectification probe.</li> <li>3. If the flame return sensor is not present after turning off the gas supply, check the gas valve electrical connection.</li> <li>4. Repair condensate system as necessary. If condensate has backed up and partially filled the combustion chamber, the refractory wall may be damaged and should be replaced.</li> <li>5. Turn the gas on at the service valve after corrective action is taken.</li> <li>6. If the refractory wall falls against the rectifier probe, it may conduct the signal to ground, giving a false reading.</li> </ol> |
|--|--|--|

**Fault Code F13**

|  |  |   |
|--|--|---|
| <p>FAN SPEED ERROR F13<br/>PUMP ON</p> | <p>The fan is not running at the speed that the control has commanded it to run at. The fan speed had been more than 30% faster or slower than the commanded speed for more than 10 seconds. The red light will display and the word LOCKOUT will flash. This code indicates a serious safety issue and the boiler will not restart until the cause is determined by a technician and he pushes the RESET button on the display. During this lockout fault, the pump will be on as indicated on the second line.</p> | <ol style="list-style-type: none"> <li>1. Check the combustion air fan wiring.</li> <li>2. Measure the DC voltage from the red fan wire to ground while it is connected to the fan. It should be between 24 to 40 volts. If it is lower than 24 volts, check for excessive external loads connected to the boiler sensor terminals. Disconnect the 5 pin plug from the fan and check the voltage on the red wire again. If it is now between 24-40 volts, replace the fan. If it is still below 24 volts replace the boiler control board.</li> </ol> |
|--|--|---|

| <b>Fault Code F20</b>   |   |  |
|---|---|--|
| CONDENSATE FULL F20<br>PUMP ON  | The condensate trap is full. The red light will display and the word LOCKOUT will flash. This code indicates a serious safety issue. The boiler will not restart until the cause is determined by a technician and he pushes the RESET button on the display. During this lockout fault, the pump will be off as indicated on the second line of the display.   | <ol style="list-style-type: none"> <li>1. Check condensate lines for obstructions.</li> <li>2. Check float switch in condensate reservoir.</li> <li>3. Check wiring from condensate reservoir to 926 control and repair as necessary.</li> </ol>   |
| <b>Fault Code F31</b>   |   |  |
| PROGRAM ERROR F31   | There was an error while programming the control and the memory is corrupt. The boiler control will not function in this state and the pump will be off as indicated on the bottom line. This error only occurs if a technician is programming the control and the programming function fails. The only way to recover from this error is to reprogram the control. If this error occurs at any time other than when a technician is servicing the boiler, the control has failed and must be replaced by a qualified technician. | The control must be re-programmed. If programming does not solve problem, the control must be replaced.  |
| <b>Fault Code PP</b>  |   |  |
| CONTROL PROGRAMED PP  | The control has been programmed by a technician or the factory. After programming, the control is left in a locked out mode. Press the RESET key for at least 1 second to begin use of the control.   |  |
| <b>Fault Code FOU</b>   |   |  |
| OUTDOOR SENSOR FOU<br>PUMP ON 1:45P   | There is an issue with the outdoor sensor. It is shorted, damaged, or disconnected from the boiler.   | <ol style="list-style-type: none"> <li>1. Check outdoor sensor connections and wiring. Ensure the sensor and wiring are intact and that the sensor is connected to the boiler.</li> <li>2. Check the outdoor sensor resistance with an ohmmeter. See Table 28 for correct outdoor sensor resistance.</li> <li>3. Replace the outdoor sensor.</li> </ol>  |
| <b>NOTE:</b> If an outdoor sensor IS NOT used in the installation, enter the System Setting Program Navigation, go to Function 21, and turn the setting from ON to OFF. |   |  |
| <b>The following blocking codes will block operation until the control determines the situation safe for boiler operation.</b>  |   |  |
| <b>Blocking Code E07</b>  |   |  |
| FLUE TEMP HIGH E07<br>PUMP OFF TIME   | This display indicates that the flue sensor temperature is excessive and above 210°F. When this code is displayed, the boiler will not respond to a demand for heat. When the flue temperature decreases below 194°F, the display will return to normal and allow the boiler to respond to a heat demand. The bottom line indicates the status of the pump. The pump will remain off when this error is displayed.  | Check the flue for obstructions or any sign of damage, especially signs of excessive heat. Repair as necessary. Run the boiler and check the flue temperature with an external thermometer. If the flue temperature on the thermometer does not agree with the flue temperature displayed in the status menu, inspect the wiring to the flue temperature sensor in the boiler and repair as necessary. If the wiring is intact, replace the flue sensor. If the flue temperature is excessive on the status menu and the test thermometer reads the same, check and adjust combustion controls on the boiler. If the problem persists, inspect the target wall in the combustion chamber and replace it if cracked or damaged. |
| <b>Blocking Code E19</b>  |   |  |
| LINE VOLTAGE<br>PUMP OFF E19  | This display indicates that the line voltage frequency is out of range. This could happen if the boiler is being powered from a small gasoline powered generator that is not functioning correctly or overloaded.   | Inspect power wiring to boiler and repair as necessary. If connected to line voltage, notify the power company. If connected to an alternate power source such as generator or inverter, make sure the line voltage frequency supplied by the device is 60 Hz.   |

Table 27 – Fault and Blocking Code Screens



| <b>Resistance Tables</b>          |                          |  |                                    |
|-----------------------------------|--------------------------|--|------------------------------------|
| <b>Outdoor Sensor (7250P-319)</b> |                          | <b>Supply Temperature Sensor 7250P-324</b> |                                    |
| <b>Outside Temperature (°F)</b>   | <b>Resistance (ohms)</b> | <b>Boiler Sensor (7250P-667)</b>           | <b>Indirect Sensor (7250P-325)</b> |
|                                   |                          | <b>Water Temperature (°F)</b>              | <b>Resistance (ohms)</b>           |
| -22                               | 171800                   | 32   | 32550                              |
| -13                               | 129800                   | 41   | 25340                              |
| -4                                | 98930                    | 50   | 19870                              |
| 5                                 | 76020                    | 59   | 15700                              |
| 14                                | 58880                    | 68   | 12490                              |
| 23                                | 45950                    | 77   | 10000                              |
| 32                                | 36130                    | 86   | 8059                               |
| 41                                | 28600                    | 95   | 6535                               |
| 50                                | 22800                    | 104  | 5330                               |
| 59                                | 18300                    | 113  | 4372                               |
| 68                                | 14770                    | 122  | 3605                               |
| 77                                | 12000                    | 131  | 2989                               |
| 86                                | 9804                     | 140  | 2490                               |
| 95                                | 8054                     | 149  | 2084                               |
| 104                               | 6652                     | 158  | 1753                               |
| 113                               | 5522                     | 167  | 1481                               |
|                                   |                          | 176  | 1256                               |
|                                   |                          | 185  | 1070                               |
|                                   |                          | 194  | 915                                |
|                                   |                          | 203  | 786                                |
|                                   |                          | 212  | 667                                |

Table 28

## PART 12 – MAINTENANCE

### A. MAINTENANCE PROCEDURES

Periodic maintenance should be performed once a year by a qualified service technician to assure that all the equipment is operating safely and efficiently. The owner should make necessary arrangements with a qualified heating contractor for periodic maintenance of the boiler. The installer must also inform the owner that a lack of proper care and maintenance of the boiler may result in a hazardous condition.

### **WARNING**

BEFORE EACH HEATING SEASON a trained and qualified service technician should perform the inspections as per the boiler inspection and maintenance schedule in the back of the manual. Failure to do so could result in death or serious injury.

## ⚠ WARNING

The combustion chamber insulation in this product contains ceramic fiber material. Ceramic fibers can be converted to cristobalite in very high temperature applications. The International Agency for Research on Cancer (IARC) has concluded, "Crystalline silica inhaled in the form of quartz or cristobalite from occupational sources is carcinogenic to humans (Group 1)."

- Avoid breathing dust and contact with skin and eyes.
- Use NIOSH certified dust respirator (N95). This type of respirator is based on the OSHA requirements for cristobalite at the time this document was written. Other types of respirators may be needed depending on job site conditions. Current NIOSH recommendations can be found on the NIOSH website: <http://www.cdc.gov/niosh/homepage.html>. NIOSH approved respirators, manufacturers, and phone numbers are also listed on this website.
- Wear long-sleeved, loose fitting clothing, gloves, and eye protection.
- Apply enough water to the combustion chamber lining to prevent dust.
- Wash potentially contaminated clothes separately from other clothing. Rinse clothes washer thoroughly.

NIOSH stated First Aid.

- Eye: Irrigate immediately.
- Breathing: Fresh air.

### **B. COMBUSTION CHAMBER COIL CLEANING INSTRUCTIONS FOR BOILER**

\*Before beginning this procedure, you must have on hand the following items:

- a nylon, stainless steel or brass brush (not steel)
- an FDA approved liquid lime scale remover, in a spray bottle
- gloves and eye protection

1. Shut down the Boiler by using the following steps:

- a. Shut down the appliance. Close the gas valve. Wait for the appliance to be cool to the touch.
- b. Disconnect the condensate piping from the outside connection, (not from the Boiler side), so flow from condensate reservoir can be observed.
- c. Remove the front panel of the boiler by firmly pulling the panel toward you until it releases.
- d. Open the control door by turning the hand tightened nut counter-clockwise.
- e. Disconnect electrical connections from the gas valve, spark electrode, flame rectification probe and combustion blower.
- f. Remove the (4) screws on the aluminum  $\frac{3}{4}$ " NPT connector on the right side of the gas valve.
- g. Disconnect the wiring connected to the combustion blower motor.
- h. Remove the (6) 10MM nuts from the burner plate assembly.

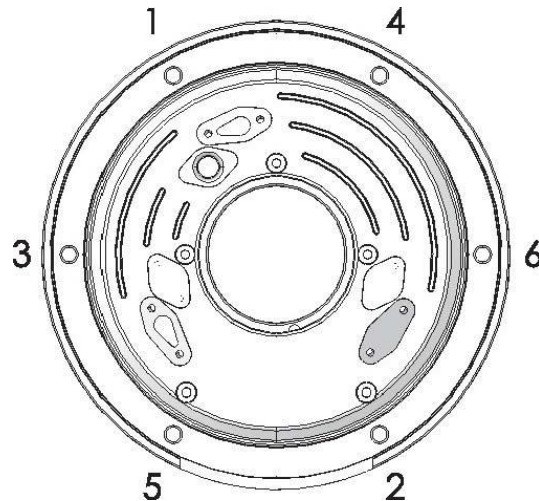


Figure 34

- i. Pull the entire burner plate assembly with blower still attached towards you. Remove or push aside any wiring to allow the removal of the assembly.

2. Using a spray bottle filled with the FDA approved lime scale remover, spray liberally on the coils, making sure the solution penetrates and funnels down through the condensate system. If the condensate system is blocked, let the chemical penetrate for at least 15 minutes or until it drains.

3. Use the nylon, stainless steel or brass brush (do not use steel) and scrub coils to remove any buildup. Then vacuum the debris from the coils.

4. Spray the coils with clear water, making sure to confine the spray to the area being cleaned (Try to avoid getting the back ceramic wall of the appliance wet). Flush the combustion chamber with fresh water until it runs clear from the condensate. At this point, the boiler should be ready to be re-assembled.
  - a. Inspect gaskets.
  - b. Re-install the burner assembly
  - c. Replace and tighten the (6) 10MM nuts to the burner plate using staggered tightening sequence. (See detail)
  - d. Re-connect all wiring connections
  - e. Inspect the gas valve to assure the O-ring is in place.
  - f. Replace the (4) screws on the aluminum connector on the gas valve. Turn the gas back on. (IMPORTANT: CHECK FOR GAS LEAKS!)
  - g. Re-secure the control door.
  - h. Replace the boiler front panel by aligning the four panel pins with the four jacket holes. Push firmly until the panel is secure.
  - i. Turn the Boiler power back on and create a demand on the boiler. When boiler is lit, observe condensate flow from the boiler. Be sure the boiler is operating properly.
  - j. Re-connect the condensate piping to the outside condensate connection.


### **⚠ WARNING**

Do not use solvents to clean any of the burner components. The components could be damaged, resulting in unreliable or unsafe operation. Failure to do so could result in death or serious injury.

#### **C. CLEANING WATER SIDE OF HEAT EXCHANGER**


**⚠ DANGER**

**⚠ DANGER**



**Water temperature over 125 degrees F. can cause severe burns instantly, or death from scalds. Children, disabled, and elderly are at highest risk of being scalded. See instruction manual before setting temperature at water heater. Feel water before bathing or showering! Temperature limiting valves are available. See chart below showing temperature burn rate.**

**⚠ DANGER**



1. Make sure power is turned off to the boiler. Run water through the hot water system to assure it is below room temperature.
2. Close isolation valves on the return and supply connections to the boilers as shown in the piping diagrams within this manual. Slowly open the ball valves and release pressure into a bucket. Once pressure is released, connect a hose to the water line to flush the boiler. Scale removing solution may be used, but must be approved for use with stainless steel and FDA approved for use in a potable water system.
3. Thoroughly flush the heat exchanger before commissioning the unit back in service.

#### **D. MAINTAINING THE CONDENSATE SYSTEM**

### **⚠ DANGER**

The condensate trap assembly **MUST BE PROPERLY INSTALLED** according to these instructions when operating the boiler. Operating the boiler without the condensate trap assembly will cause flue gases to leak and result in serious personal injury or death.

### **⚠ WARNING**

When servicing is complete, make sure the condensate collector cap is replaced securely. Failure to do so will cause venting issues that will result in serious injury or death.

1. Ensure the boiler is powered off and has had time to cool.
2. Remove the hose clamp attaching the condensate trap to the condensate hose from the heat exchanger. Remove the clear plastic hose from the hose barb. Remove the condensate hose clamp to detach the condensate trap from the drain tube. Remove the condensate trap from the boiler.

3. Remove the bottom cap from the condensate trap.
4. Flush trap with fresh water to remove debris from the trap.

**NOTE:** Ensure the float moves freely within the trap. If the float does not move, DO NOT reinstall the trap.

5. When the condensate trap is sufficiently clean, reinstall the bottom cap on the trap.

**NOTE:** Ensure all parts shown in Figure 35, Condensate Detail, are installed with the condensate trap. If any parts are missing, DO NOT reinstall the trap. Replace the entire assembly.

### **⚠ WARNING**

Do not install the condensate assembly if a component is lost or missing. Replace the entire assembly. Failure to follow this warning could result in property damage, serious personal injury, or death.

6. Fill the condensate trap with fresh water prior to reassembly on the boiler.

7. Install the condensate trap on the condensate hose from the heat exchanger. Use the hose clamp to secure the trap. Attach the clear plastic hose onto the hose barb. Reinstall the condensate hose clamp to detach the condensate trap from the drain tube.

### **⚠ WARNING**

Do not operate the boiler without the clear hose attached from the hose barb to the pressure switch. Failure to follow this warning could result in property damage, serious personal injury, or death.

8. If a condensate neutralizer kit is installed with the boiler, check the assembly when cleaning the condensate trap, and replenish the limestone chips if necessary. When replacing the limestone chips, take care to ensure chips are no smaller than 1/2" to avoid blockage in condensate piping (for piping details, refer to condensate neutralizer installation instruction.)

9. Check condensate piping for sagging and/or leakage. Repair any sags or leaks before restoring power to the boiler.

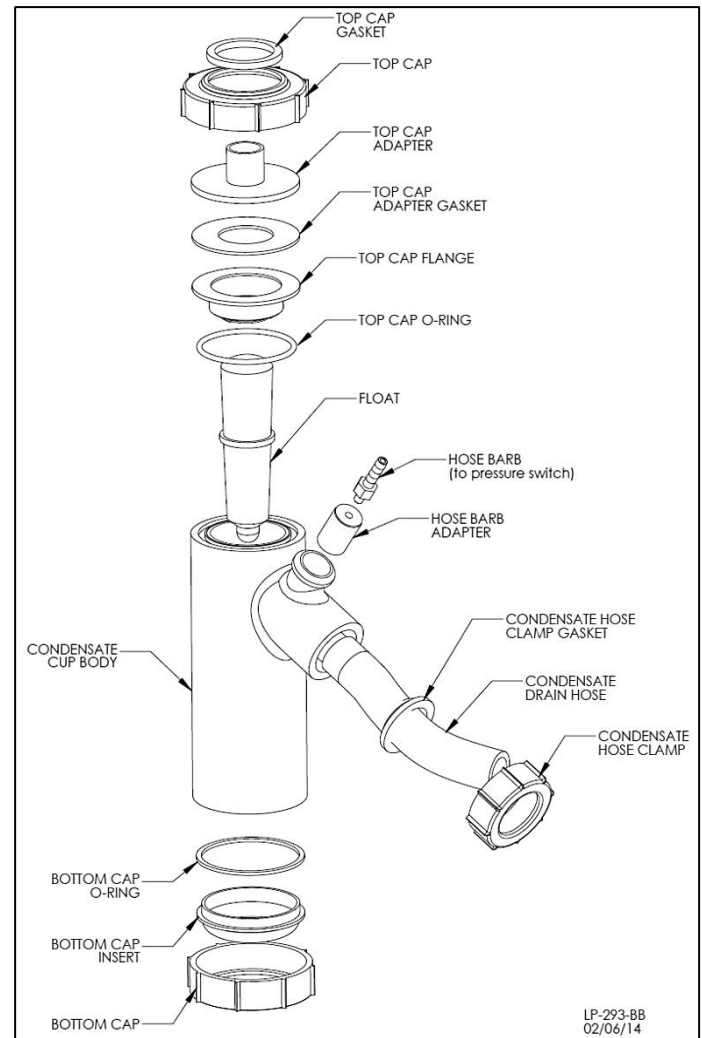
### **CAUTION**

It is very important that the condensate piping be no smaller than 3/4". To prevent sagging and maintain pitch, condensate piping should be supported with pipe supports, and pitched 1/4" per foot to allow for proper drainage.

### **CAUTION**

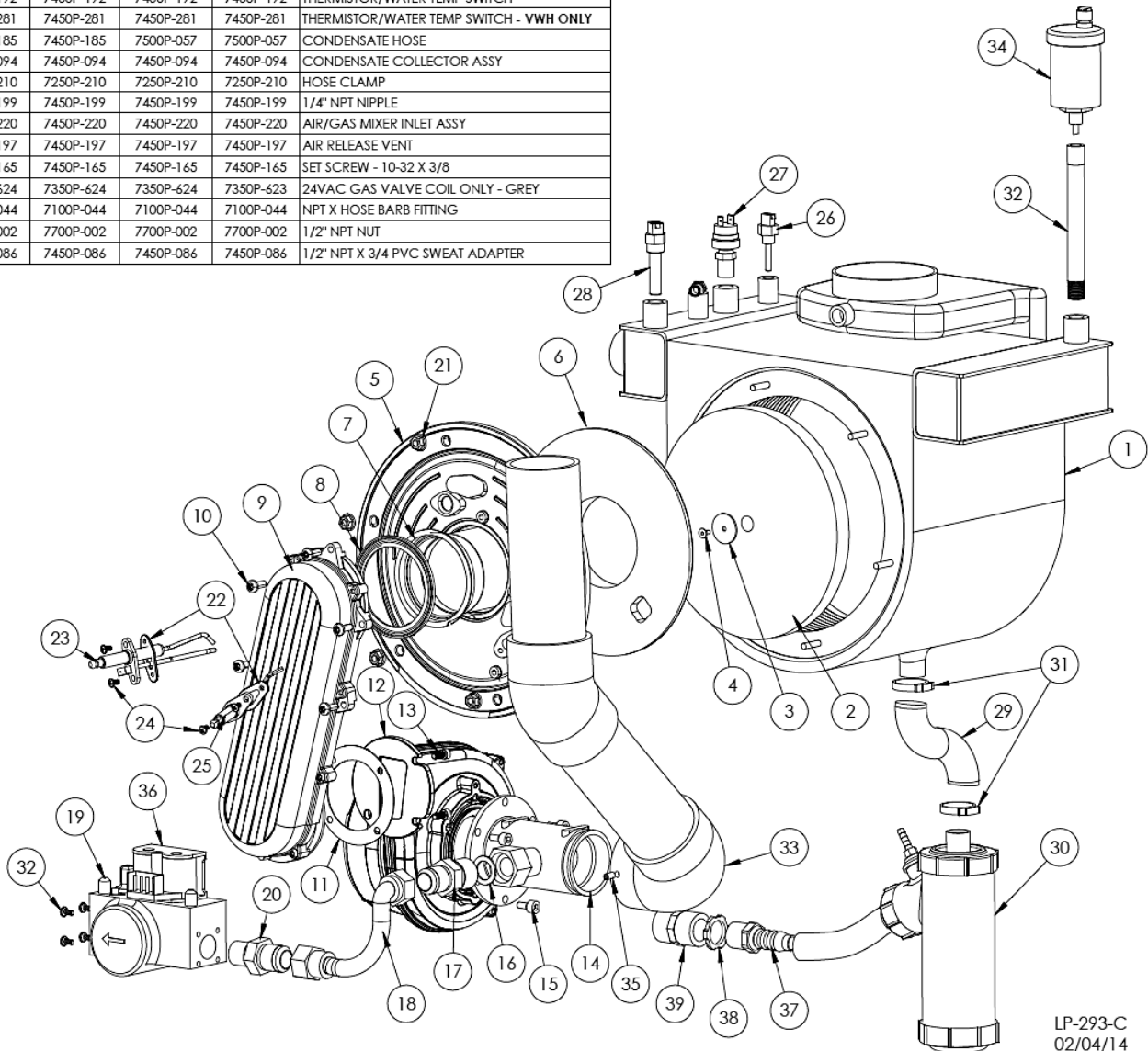
The condensate line must remain unobstructed, allowing free flow of condensate. If condensate freezes in the line, or if line is obstructed in any other manner, condensate can exit from the tee, resulting in potential water damage to property.

10. If the boiler has a condensate pump, ensure the pump operates properly before considering maintenance complete.



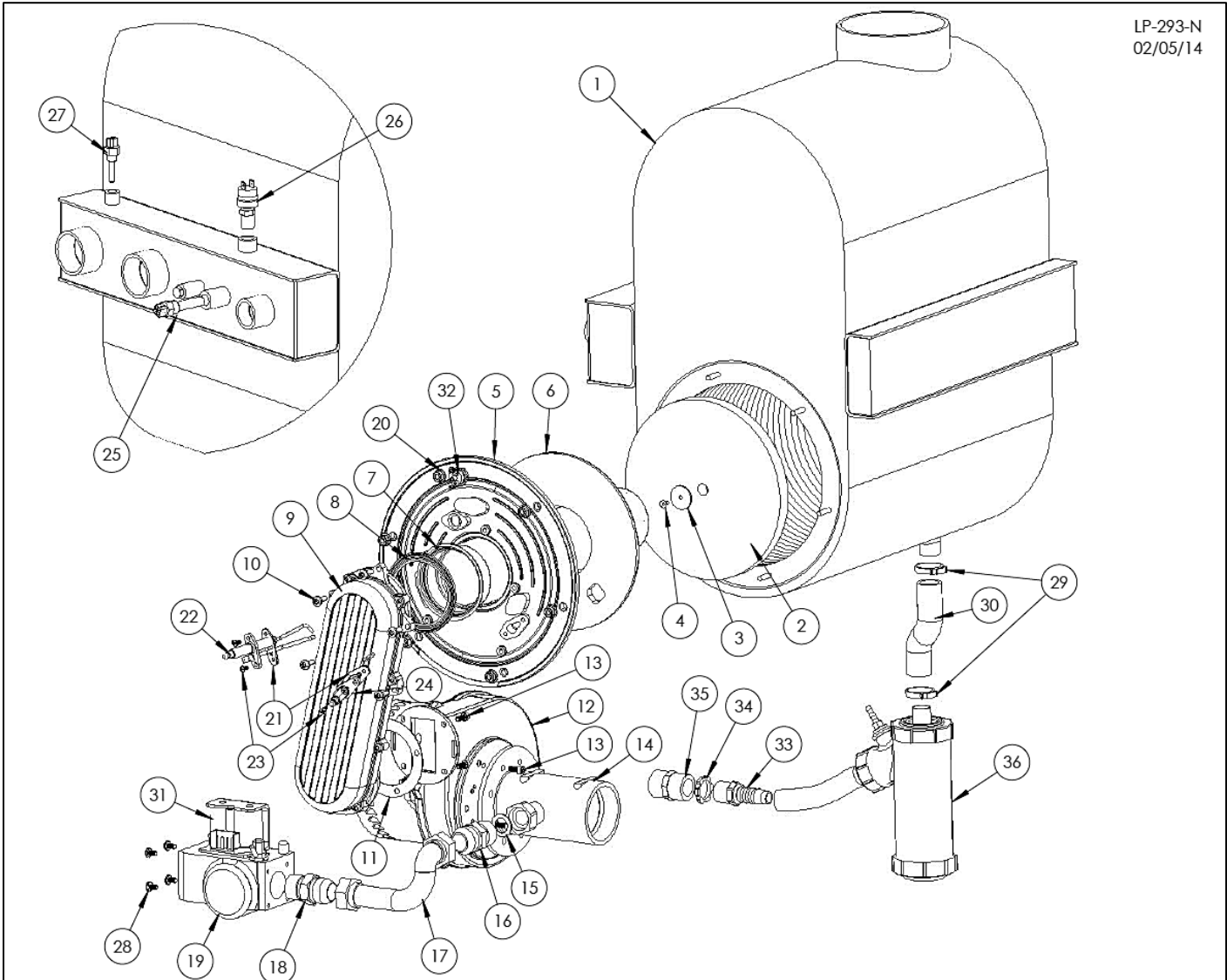
**Figure 35 – Condensate Detail**

| ITEM # | EL-80     | EL-110    | EL-150    | EL-220    | Description                             |
|--------|-----------|-----------|-----------|-----------|---|
| 1      | 7450P-001 | 7450P-002 | 7450P-003 | 7450P-004 | BOILER MODULE                           |
| 2      | 7250P-160 | 7250P-160 | 7250P-160 | 7250P-160 | CERAMIC TARGET WALL                     |
| 3      | 7500P-109 | 7500P-109 | 7500P-109 | 7500P-109 | M4 FLAT WASHER                          |
| 4      | 7250P-704 | 7250P-704 | 7250P-704 | 7250P-704 | M4 X 8 FLAT HEAD SCREW                  |
| 5      | 7450P-300 | 7450P-300 | 7450P-300 | 7450P-300 | BURNER DOOR                             |
| 6      | 7450P-005 | 7450P-005 | 7450P-005 | 7450P-005 | BURNER DOOR INSULATION                  |
| 7      | 7450P-009 | 7450P-010 | 7450P-011 | 7450P-012 | BURNER                                  |
| 8      | 7500P-074 | 7500P-074 | 7500P-074 | 7500P-074 | GASKET - BURNER                         |
| 9      | 7450P-008 | 7450P-008 | 7450P-007 | 7450P-007 | AIR CHANNEL                             |
| 10     | 7250P-206 | 7250P-206 | 7250P-206 | 7250P-206 | M5 X 14MM TORX SCREWS - AIR CHANNEL     |
| 11     | 7500P-075 | 7500P-075 | 7500P-075 | 7500P-075 | GASKET - AIR CHANNEL/BLOWER             |
| 12     | 7500P-031 | 7500P-031 | 7500P-031 | 7350P-159 | COMBUSTION BLOWER                       |
| 13     | 7250P-478 | 7250P-478 | 7250P-478 | 7250P-478 | M5 X 12MM SOCKET CAP SCREW              |
| 14     | 7450P-022 | 7450P-023 | 7450P-024 | 7450P-024 | AIR/GAS MIXER                           |
| 15     | 7450P-141 | 7450P-141 | 7450P-141 | 7500P-099 | SCREWS - AIR/GAS MIXER                  |
| 16     | 7450P-115 | 7450P-115 | 7450P-115 | 7450P-115 | WASHER - AIR/GAS MIXER                  |
| 17     | 7450P-139 | 7450P-139 | 7450P-139 | 7450P-138 | FLARE X BSP FITTING                     |
| 18     | 7100P-140 | 7100P-140 | 7100P-140 | 7450P-140 | FLEXIBLE GAS LINE                       |
| 19     | 7450P-025 | 7450P-025 | 7450P-025 | 7350P-033 | GAS VALVE                               |
| 20     | 7450P-154 | 7450P-154 | 7450P-154 | 7450P-143 | FLARE X NPT FITTING                     |
| 21     | 7500P-067 | 7500P-067 | 7500P-067 | 7500P-067 | M6 NUT - BURNER DOOR                    |
| 22     | 7250P-005 | 7250P-005 | 7250P-005 | 7250P-005 | GASKET - PROBE/ELECTRODE                |
| 23     | 7350P-020 | 7350P-020 | 7350P-020 | 7350P-020 | SPARK ELECTRODE (W/GASKET)              |
| 24     | 7250P-069 | 7250P-069 | 7250P-069 | 7250P-069 | SCREW M4 X 8MM - PROBE/ELECTRODE        |
| 25     | 7350P-022 | 7350P-022 | 7350P-022 | 7350P-022 | FLAME RECTIFICATION PROBE (W/GASKET)    |
| 26     | 7250P-667 | 7250P-667 | 7250P-667 | 7250P-667 | THERMISTOR                              |
|        | 7450P-280 | 7450P-280 | 7450P-280 | 7450P-280 | THERMISTOR - VWH ONLY                   |
| 27     | 7250P-096 | 7250P-096 | 7250P-096 | 7250P-096 | WATER PRESSURE SWITCH - NPT THREAD      |
| 28     | 7450P-192 | 7450P-192 | 7450P-192 | 7450P-192 | THERMISTOR/WATER TEMP SWITCH            |
|        | 7450P-281 | 7450P-281 | 7450P-281 | 7450P-281 | THERMISTOR/WATER TEMP SWITCH - VWH ONLY |
| 29     | 7450P-185 | 7450P-185 | 7500P-057 | 7500P-057 | CONDENSATE HOSE                         |
| 30     | 7450P-094 | 7450P-094 | 7450P-094 | 7450P-094 | CONDENSATE COLLECTOR ASSY               |
| 31     | 7250P-210 | 7250P-210 | 7250P-210 | 7250P-210 | HOSE CLAMP                              |
| 32     | 7450P-199 | 7450P-199 | 7450P-199 | 7450P-199 | 1/4" NPT NIPPLE                         |
| 33     | 7450P-220 | 7450P-220 | 7450P-220 | 7450P-220 | AIR/GAS MIXER INLET ASSY                |
| 34     | 7450P-197 | 7450P-197 | 7450P-197 | 7450P-197 | AIR RELEASE VENT                        |
| 35     | 7450P-165 | 7450P-165 | 7450P-165 | 7450P-165 | SET SCREW - 10-32 X 3/8                 |
| 36     | 7350P-624 | 7350P-624 | 7350P-624 | 7350P-623 | 24VAC GAS VALVE COIL ONLY - GREY        |
| 37     | 7100P-044 | 7100P-044 | 7100P-044 | 7100P-044 | NPT X HOSE BARB FITTING                 |
| 38     | 7700P-002 | 7700P-002 | 7700P-002 | 7700P-002 | 1/2" NPT NUT                            |
| 39     | 7450P-086 | 7450P-086 | 7450P-086 | 7450P-086 | 1/2" NPT X 3/4 PVC SWEAT ADAPTER        |



LP-293-C  
02/04/14

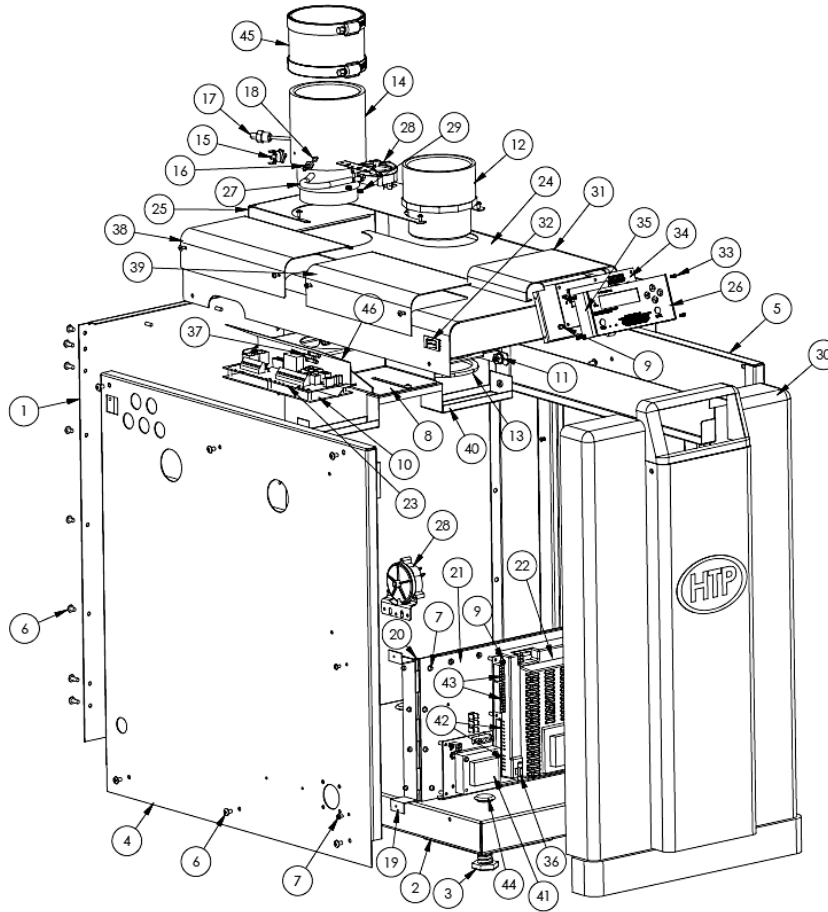
Figure 36



| Item No | EL-299    | EL-301    | EL-399    | Description                          |
|---------|-----------|-----------|-----------|--------------------------------------|
| 1       | 7450P-014 | 7450P-014 | 7450P-015 | BOILER MODULE                        |
| 2       | 7250P-160 | 7250P-160 | 7250P-160 | CERAMIC TARGET WALL                  |
| 3       | 7500P-109 | 7500P-109 | 7500P-109 | M4 FLAT WASHER - TARGET WALL         |
| 4       | 7250P-704 | 7250P-704 | 7250P-704 | M4 X 8 FLAT HEAD SCREW - TARGET WALL |
| 5       | 7450P-300 | 7450P-300 | 7450P-300 | BURNER DOOR                          |
| 6       | 7450P-005 | 7450P-005 | 7450P-005 | BURNER DOOR INSULATION               |
| 7       | 7350P-031 | 7350P-031 | 7350P-031 | BURNER - GCFI                        |
| 8       | 7500P-074 | 7500P-074 | 7500P-074 | GASKET - BURNER                      |
| 9       | 7450P-007 | 7450P-007 | 7450P-007 | AIR CHANNEL                          |
| 10      | 7250P-206 | 7250P-206 | 7250P-206 | M5 X 14MM TORX SCREWS - AIR CHANNEL  |
| 11      | 7500P-075 | 7500P-075 | 7500P-075 | GASKET - AIR CHANNEL/BLOWER          |
| 12      | 7350P-159 | 7350P-159 | 7350P-159 | COMBUSTION BLOWER                    |
| 13      | 7250P-478 | 7250P-478 | 7250P-478 | M5X12 CAP SCREW                      |
| 14      | 7450P-029 | 7450P-029 | 7450P-029 | AIR/GAS MIXER (w/WASHER)             |
| 15      | 7450P-115 | 7450P-115 | 7450P-115 | WASHER - AIR/GAS MIXER               |
| 16      | 7450P-138 | 7450P-138 | 7450P-138 | FLARE X BSP FITTING                  |
| 17      | 7450P-140 | 7450P-140 | 7450P-140 | FLEXIBLE GAS LINE                    |
| 18      | 7450P-143 | 7450P-143 | 7450P-143 | FLARE X NPT FITTING                  |
| 19      | 7350P-033 | 7530P-033 | 7350P-033 | GAS VALVE                            |

| Item No | EL-299    | EL-301    | EL-399    | Description                             |
|---------|-----------|-----------|-----------|---|
| 20      | 7500P-067 | 7500P-067 | 7500P-067 | NUT M6 - BURNER DOOR                    |
| 21      | 7250P-005 | 7250P-005 | 7250P-005 | GASKET - PROBE/ELECTRODE                |
| 22      | 7350P-020 | 7350P-020 | 7350P-020 | SPARK ELECTRODE                         |
| 23      | 7250P-069 | 7250P-069 | 7250P-069 | M4 X 8MM CHEESE HEAD PHILLIPS           |
| 24      | 7350P-022 | 7350P-022 | 7350P-022 | FLAME RECTIFICATION PROBE (w/GASKET)    |
| 25      | 7450P-192 | 7450P-192 | 7450P-192 | THERMISTOR/WATER TEMP SWITCH            |
|         | 7450P-281 | 7450P-281 | 7450P-281 | THERMISTOR/WATER TEMP SWITCH (VWH ONLY) |
| 26      | 7250P-096 | 7250P-096 | 7250P-096 | WATER PRESSURE SWITCH - NPT THREAD      |
| 27      | 7250P-667 | 7250P-667 | 7250P-667 | THERMISTOR                              |
|         | 7450P-280 | 7450P-281 | 7450P-281 | THERMISTOR (VWH ONLY)                   |
| 28      | 7450P-147 | 7450P-147 | 7450P-147 | M5 X 8MM PAN HEAD SCREW - GAS VALVE     |
| 29      | 7250P-210 | 7250P-210 | 7250P-210 | HOSE CLAMP                              |
| 30      | 7500P-057 | 7500P-057 | 7500P-057 | CONDENSATE HOSE                         |
| 31      | 7350P-623 | 7350P-623 | 7350P-623 | 24VAC GAS VALVE COIL ONLY - GREY        |
| 32      | 7450P-085 | 7450P-085 | 7450P-085 | FLUE ECO SWITCH - 160 DEGREES           |
| 33      | 7100P-044 | 7100P-044 | 7100P-044 | HOSE BARB X 1/2" NPT                    |
| 34      | 7700P-002 | 7700P-002 | 7700P-002 | LOCKNUT -1/2"                           |
| 35      | 7450P-086 | 7450P-086 | 7450P-086 | 1/2 NPT X 3/4 SWEAT PVC ADAPTER         |
| 36      | 7450P-094 | 7450P-094 | 7450P-094 | CONDENSATE BODY                         |

Figure 37



| ITEM # | EL-80     | EL-110    | EL-150    | EL-220    | EL-299/EL-301 | EL-399    | DESCRIPTION   |
|--------|-----------|-----------|-----------|-----------|---------------|-----------|---|
| 1      |           | 7450P-039 |           |           |               | 7450P-065 | JACKET - REAR   |
| 2      | 7450P-296 |           | 7450P-299 | 7450P-301 | 7450P-303     | 7450P-305 | JACKET - BOTTOM   |
| 3      |           |           |           | 7450P-121 |               |           | LEVELING FEET   |
| 4      | 7450P-295 | 7450P-297 | 7450P-298 | 7450P-307 | 7450P-302     | 7450P-304 | JACKET - LEFT SIDE                                      |
| 5      | 7450P-058 | 7450P-123 | 7450P-062 | 7450P-037 | 7450P-063     | 7450P-304 | JACKET - RIGHT SIDE                                     |
| 6      |           |           | 7450P-080 |           |               |           | 10-32 X 5/16 PAN HEAD SCREW - JACKET                    |
| 7      |           |           | 7450P-081 |           |               |           | 6-32 X 1/4 PAN HEAD SCREW - ACCESSORIES                 |
| 8      |           | 7450P-074 |           |           | 7450P-075     |           | AIR/EXHAUST SUPPORT PLATE                               |
| 9      |           |           | 7500P-115 |           |               |           | 6-32 X 1/4 PAN HEAD SCREW - ELECTRONIC BOARDS           |
| 10     |           | 7450P-178 |           |           | N/A           | N/A       | FIELD CONNECTION BOARD PLATE                            |
| 11     |           |           | 7450P-088 |           |               |           | 8-32 FLANGED NUT - AIR EXHAUST PLATE                    |
| 12     |           | 7450P-030 |           |           | 7450P-031     |           | AIR INLET ADAPTER                                       |
| 13     |           | 7450P-032 |           |           | 7450P-033     |           | AIR INLET CONNECTOR NUT                                 |
| 14     |           | 7450P-201 |           |           | 7450P-202     |           | EXHAUST ADAPTER   |
| 15     |           |           | 7250P-739 |           |               |           | ECO FLUE SWITCH - 160 DEGREES                           |
| 16     |           |           | 7250P-154 |           |               |           | S.S. BARBED FITTING - 1/4 HOSE X 10-32                  |
| 17     |           |           | 7450P-026 |           |               |           | FLUE THERMISTOR   |
| 18     |           |           | 7250P-152 |           |               |           | SILICONE O-RING 2-007 - BARBED FITTING                  |
| 19     |           |           | 7450P-079 |           |               |           | HINGE BRACKET   |
| 20     |           |           | 7450P-091 |           |               |           | HINGE   |
| 21     |           |           | 7450P-132 |           |               |           | CONTROL BOARD DOOR W/HINGE                              |
| 22     |           |           | 7450P-122 |           |               |           | 926 CONTROL BOARD                                       |
| 23     |           |           | 7350P-070 |           |               |           | FIELD CONNECTION BOARD                                  |
| 24     | 7450P-040 |           | 7450P-041 | 7450P-042 | 7450P-043     | 7450P-044 | JACKET - TOP COVER FRONT                                |
| 25     | 7450P-072 |           | 7450P-099 |           | 7450P-073     |           | JACKET - TOP COVER BACK                                 |
| 26     |           |           | 7450P-021 |           |               |           | MEMBRANE TOUCHPAD                                       |
| 27     |           |           | 7000P-805 |           |               |           | PLASTIC TUBING - 3/16 OD - BLOCKED VENT PRESSURE SWITCH |
| 28     |           |           | 7250P-150 |           |               |           | BLOCKED VENT PRESSURE SWITCH                            |
| 29     |           |           | 7450P-142 |           |               |           | 6-32 FLANGED NUT - BLOCKED VENT PRESSURE SWITCH         |
| 30     |           | 7450P-046 |           |           | 7450P-051     |           | JACKET - FRONT COVER ASSY                               |
| 31     |           |           | 7450P-045 |           |               |           | JACKET - TOP COVER INSERT                               |
| 32     |           |           | 7500P-087 |           |               |           | POWER SWITCH  |
| 33     |           |           | 7450P-092 |           |               |           | 6-32 FLAT HEAD SCREW - ACCESSORIES                      |
| 34     |           |           | 7450P-028 |           |               |           | DISPLAY BOARD   |
| 35     |           |           | 7450P-018 |           |               |           | MEMBRANE SWITCH BRACKET                                 |
| 36     |           |           | 7250P-378 |           |               |           | FUSE - CONTROL BOARD - 6.3 AMPS                         |
| 37     |           |           | 7350P-129 |           |               |           | FUSE - CONNECTION BOARD - 3.15 AMPS                     |
| 38     |           |           | 7450P-160 |           |               |           | FIELD CONNECTION BOARD COVER                            |
| 39     | N/A       | N/A       | N/A       | 7450P-061 | N/A           | N/A       | BOILER ACCESS COVER                                     |
| 40     |           |           | 7450P-076 |           | 7450P-077     |           | MODULE HOLD-DOWN STRAP                                  |
| 41     | N/A       | N/A       | N/A       |           | 7450P-221     |           | TRANSFORMER ASSEMBLY                                    |
| 42     |           | 7450P-204 |           | 7450P-208 | 7450P-209     | 7450P-210 | 120V WIRING HARNESS (NOT SHOWN)                         |
| 43     |           | 7450P-306 |           | 7450P-053 | 7450P-054     | 7450P-052 | LOW VOLTAGE WIRING HARNESS (NOT SHOWN)                  |
| 44     |           |           | 7450P-226 |           |               |           | 7/8 HOLE PLUG   |
| 45     |           | 7450P-282 |           | 7450P-292 | 7450P-157     |           | CLAMP ALL - EXHAUST VENT ADAPTER                        |
| 46     |           |           | 7450P-287 |           |               |           | CUSTOMER CONNECTION BOARD SHIELD                        |

LP-293-A  
02/03/14

Figure 38 – LP-293-A

## BOILER START-UP REPORT

| LIGHT OFF ACTIVITIES         |   | DATE COMPLETED _____    |           |                         |           |
|------------------------------|---|-------------------------|-----------|-------------------------|-----------|
| 1) Fill the heating system   | Check all piping and gas connections, verify all are tight                  |                         |           |                         |           |
|                              | Pressurize system (12 – 15 psi)   | _____ PSI               |           |                         |           |
|                              | Add water to prime condensate cup   |                         |           |                         |           |
|                              | Percentage of glycol in system (0 – 50%)                                    | _____ %                 |           |                         |           |
|                              | Verify near boiler piping is properly supported                             |                         |           |                         |           |
| 2) Check gas pipe            | Leak test using locally approved methods (consult jurisdictional code book) |                         |           |                         |           |
|                              | Check incoming gas pressure (3.5" to 14" W.C.)                              | _____ in w.c.           | Static    |                         |           |
|                              | What is the "drop" on light off (No more than 1" W.C.)?                     | _____ in w.c.           | Dynamic   |                         |           |
| 3) Check combustion          | Check and adjust (if necessary) carbon dioxide content                      | _____ % CO <sub>2</sub> | High Fire | _____ % CO <sub>2</sub> | Low Fire  |
|                              | Check and adjust (if necessary) carbon monoxide content                     | _____ ppm CO            | High Fire | _____ ppm CO            | Low Fire  |
| 4) Verify system operation   | Turn up thermostat to verify wiring connections                             |                         |           |                         |           |
| 5) Record ionization current | Check uA reading at d7 on the status menu (see start-up section)            | _____ uA                | High Fire | _____ uA                | Low Fire  |
| 6) Indirect water heater     | Verify safety and operation of the indirect water heater, record settings   | _____ de                | _____ dh  |                         |           |
| 7) Convert the boiler        | If necessary, convert the boiler to the proper gas type                     |                         |           |                         |           |
|                              | Locate the stickers in the appropriate locations on the boiler              |                         |           |                         |           |
|                              | Verify combustion settings after gas conversion, Carbon Dioxide             | _____ % CO <sub>2</sub> | High Fire | _____ % CO <sub>2</sub> | Low Fire  |
|                              | Verify combustion settings after gas conversion, Carbon Monoxide            | _____ ppm CO            | High Fire | _____ ppm CO            | Low Fire  |
|                              | Mail in the conversion registration   |                         |           |                         |           |
| 8) Record system settings    | Record heating curve, record steps  | _____ *8                | _____ *9  | _____ *10               | _____ *11 |
| Notes:                       |   |                         |           |                         |           |

Table 29

## MAINTENANCE REPORT

### CAUTION

In unusually dirty or dusty conditions, care must be taken to keep boiler cabinet door in place at all times. Failure to do so VOIDS WARRANTY!

### WARNING

Allowing the boiler to operate with a dirty combustion chamber will hurt operation. Failure to clean the heat exchanger as needed by the installation location could result in boiler failure, property damage, personal injury, or death. Such product failures ARE NOT covered under warranty.

The boiler requires minimal periodic maintenance under normal conditions. However, in unusually dirty or dusty conditions, periodic vacuuming of the cover to maintain visibility of the display and indicators is recommended.

Periodic maintenance should be performed once a year by a qualified service technician to assure that all the equipment is operating safely and efficiently. The owner should make necessary arrangements with a qualified heating contractor for periodic maintenance of the boiler. Installer must also inform the owner that the lack of proper care and maintenance of the boiler may result in a hazardous condition.



| INSPECTION ACTIVITIES    |  | DATE LAST COMPLETED  |                      |                      |                       |
|--------------------------|--|----------------------|----------------------|----------------------|-----------------------|
|                          |  | 1 <sup>st</sup> YEAR | 2 <sup>nd</sup> YEAR | 3 <sup>rd</sup> YEAR | 4 <sup>th</sup> YEAR* |
| <b>PIPING</b>            |  |                      |                      |                      |                       |
| Near boiler piping       | Check boiler and system piping for any sign of leakage. Continual fresh make-up water will reduce boiler life. Leaking pipes could cause property damage. Make sure all piping is properly supported.          |                      |                      |                      |                       |
| Vent                     | Check condition of all vent pipes and joints. Ensure all vent piping is properly supported. Check for obstructions exhaust and intake termination points.  |                      |                      |                      |                       |
| Gas                      | Check Gas piping, test for leaks and signs of aging. Make sure all pipes are properly supported.   |                      |                      |                      |                       |
| <b>SYSTEM</b>            |  |                      |                      |                      |                       |
| Visual                   | Do a full visual inspection of all system components.  |                      |                      |                      |                       |
| Functional               | Test all functions of the system (Heat, Safeties)  |                      |                      |                      |                       |
| Temperatures             | Verify safe settings on boiler or Anti-Scald Valve   |                      |                      |                      |                       |
| Temperatures             | Verify programmed temperature settings   |                      |                      |                      |                       |
| <b>ELECTRICAL</b>        |  |                      |                      |                      |                       |
| Connections              | Check wire connections. Make sure they are tight.  |                      |                      |                      |                       |
| Smoke and CO detector    | Verify devices are installed and working properly. Change batteries if necessary.  |                      |                      |                      |                       |
| Circuit Breakers         | Check to see that the circuit breaker is clearly labeled. Exercise circuit breaker.  |                      |                      |                      |                       |
| Switch and Plug          | Verify ON/OFF switch and convenience plug are both functional  |                      |                      |                      |                       |
| <b>CHAMBER/BURNER</b>    |  |                      |                      |                      |                       |
| Combustion Chamber       | Check burner tube and combustion chamber coils. Clean according to maintenance section of manual. Vacuum combustion chamber.   |                      |                      |                      |                       |
| Spark Electrode          | Clean. Set gap at 1/4".  |                      |                      |                      |                       |
| Flame Probe              | Clean. Check ionization in uA (d7 on status menu in Start-up Procedures). Record high fire and low fire.   |                      |                      |                      |                       |
| <b>CONDENSATE</b>        |  |                      |                      |                      |                       |
| Neutralizer              | Check condensate neutralizer. Replace if necessary.  |                      |                      |                      |                       |
| Condensate hose          | Disconnect condensate hose. Clean out dirt. Fill with water to level of outlet and re-install. (NOTE: Verify the flow of condensate, making sure that the hose is properly connected during final inspection.) |                      |                      |                      |                       |
| <b>GAS</b>               |  |                      |                      |                      |                       |
| Pressure                 | Measure incoming gas pressure (3.5" to 14" W.C.)   |                      |                      |                      |                       |
| Pressure Drop            | Measure drop in pressure on light off (no more than 1" W.C.)   |                      |                      |                      |                       |
| Check gas pipe for leaks | Check piping for leaks. Verify that all are properly supported.  |                      |                      |                      |                       |
| <b>COMBUSTION</b>        |  |                      |                      |                      |                       |
| CO/CO2 Levels            | Check CO and CO2 levels in Exhaust (See Start-up Procedures for ranges). Record at high and low fire.  |                      |                      |                      |                       |
| <b>SAFETIES</b>          |  |                      |                      |                      |                       |
| ECO (Energy Cut Out)     | Check continuity on Flue and Water ECO. Replace if corroded.   |                      |                      |                      |                       |
| Thermistors              | Check wiring. Verify through ohms reading.   |                      |                      |                      |                       |
| <b>FINAL INSPECTION</b>  |  |                      |                      |                      |                       |
| Check list               | Verify that you have completed entire check list. WARNING: FAILURE TO DO SO COULD RESULT IN SERIOUS INJURY OR DEATH.   |                      |                      |                      |                       |
| Homeowner                | Review what you have done with the homeowner.  |                      |                      |                      |                       |
| <b>TECH SIGN OFF</b>     |  |                      |                      |                      |                       |

Table 30 - \*Continue annual maintenance beyond the 4<sup>th</sup> year as required.

## ADDITIONAL INSTALLATION REQUIREMENTS FOR THE COMMONWEALTH OF MASSACHUSETTS

In the Commonwealth of Massachusetts, the installer or service agent shall be a plumber or gas fitter licensed by the Commonwealth.

When installed in the Commonwealth of Massachusetts or where applicable state codes may apply; the unit shall be installed with a CO detector per the requirements listed below.

### 5.08: Modifications to NFPA-54, Chapter 10

(1) Revise NFPA-54 section 10.5.4.2 by adding a second exception as follows:

Existing chimneys shall be permitted to have their use continued when a gas conversion burner is installed, and shall be equipped with a manually reset device that will automatically shut off the gas to the burner in the event of a sustained back-draft.

(2) Revise 10.8.3 by adding the following additional requirements:

(a) For all side wall horizontally vented gas fueled equipment installed in every dwelling, building or structure used in whole or in part for residential purposes, including those owned or operated by the Commonwealth and where the side wall exhaust vent termination is less than seven (7) feet above finished grade in the area of the venting, including but not limited to decks and porches, the following requirements shall be satisfied:

1. INSTALLATION OF CARBON MONOXIDE DETECTORS. At the time of installation of the side wall horizontal vented gas fueled equipment, the installing plumber or gasfitter shall observe that a hard wired carbon monoxide detector with an alarm and battery back-up is installed on the floor level where the gas equipment is to be installed. In addition, the installing plumber or gasfitter shall observe that a battery operated or hard wired carbon monoxide detector with an alarm is installed on each additional level of the dwelling, building or structure served by the side wall horizontal vented gas fueled equipment. It shall be the responsibility of the property owner to secure the service of qualified licensed professionals for the installation of hard wired carbon monoxide detectors

a. In the event that the side wall horizontally vented gas fueled equipment is installed in a crawl space or an attic, the hard wired carbon monoxide detector with alarm and battery back-up may be installed on the next adjacent floor level.

b. In the event that the requirements of this subdivision cannot be met at the time of completion of installation, the owner shall have a period of thirty (30) days to comply with the above requirements; provided, however, that during said thirty (30) day period, a battery operated carbon monoxide detector with an alarm shall be installed.

2. APPROVED CARBON MONOXIDE DETECTORS. Each carbon monoxide detector as required in accordance with the above provisions shall comply with NFPA 720 and be ANSI/UL 2034 listed and IAS certified.

3. SIGNAGE. A metal or plastic identification plate shall be permanently mounted to the exterior of the building at a minimum height of eight (8) feet above grade directly in line with the exhaust vent terminal for the horizontally vented gas fueled heating appliance or equipment. The sign shall read, in print size no less than one-half (1/2) inch in size, "GAS VENT DIRECTLY BELOW, KEEP CLEAR OF ALL OBSTRUCTIONS".

4. INSPECTION. The state or local gas inspector of the side wall horizontally vented gas fueled equipment shall not approve the installation unless, upon inspection, the inspector observes carbon monoxide detectors and signage installed in accordance with the provisions of 248 CMR 5.08 (2)(a) 1 through 4.

(b) EXEMPTIONS: the following equipment is exempt from 248 CMR 5.08 (2)(a) 1 through 4:

1. The equipment listed in Chapter 10 entitled "Equipment Not Required to be Vented" in the most current edition of NFPA 54 as adopted by the Board; and
2. Product Approved side wall horizontally vented gas fueled equipment installed in a room or structure separate from the dwelling, building or structure used in whole or in part for residential purposes.

(c) MANUFACTURER REQUIREMENTS – GAS EQUIPMENT VENTING SYSTEM PROVIDED. When the manufacturer of Product Approved side wall horizontally vented gas equipment provides a venting system design or venting system components with the equipment, the instructions provided by the manufacturer for installation of the equipment and the venting system shall include:

1. Detailed instructions for the installation of the venting system design or the venting system components; and
2. A complete parts list for the venting system design or venting system.

(d) MANUFACTURER REQUIREMENTS – GAS EQUIPMENT VENTING SYSTEM NOT PROVIDED. When the manufacturer of a Product Approved side wall horizontally vented gas fueled equipment does not provide the parts for venting the flue gases, but identifies "special venting systems", the following requirements shall be satisfied by the manufacturer:

1. The referenced "special venting system" instructions shall be included with the appliance or equipment installation instructions; and
2. The "special venting systems" shall be Product Approved by the Board, and the instructions for that system shall include a parts list and detailed installation instructions.

(e) A copy of all installation instructions for all Product Approval side wall horizontally vented gas fueled equipment, all venting instructions, all parts lists for venting instructions, and/or all venting design instructions shall remain with the appliance or equipment at the completion of the installation.



**HTP CUSTOMER INSTALLATION RECORD FORM**

The following form should be completed by the installer for you to keep as a record of the installation in case of a warranty claim. After reading the important notes at the bottom of the page, please also sign this document.

|   |  |
|---|--|
| Customer's Name:                            |  |
| Installation Address:                       |  |
| Date of Installation:                       |  |
| Installer's Code/Name:                      |  |
| Product Serial Number(s):                   |  |
| Combustion Setting at Time of Installation: |  |
| Comments:                                   |  |
| Installer's Phone Number:                   |  |
| Signed by Installer:                        |  |
| Signed by Customer:                         |  |

**IMPORTANT NOTES:**

***Customer: Please only sign after the installer has reviewed the installation, safety, proper operation and maintenance of the system. In the case that the system has any problems, please call the installer. If you are unable to make contact, please contact your HTP Sales Representative.***

*Distributor/Dealer: Please insert contact details.*