

ITEM #	EL-80	EL-110	EL-150	EL-220	Description
1	7450P-001	7450P-002	7450P-003	7450P-004	BOILER MODULE
2	7250P-160	7250P-160	7250P-160	7250P-160	CERAMIC TARGET WALL
3	7500P-109	7500P-109	7500P-109	7500P-109	M4 FLAT WASHER
4	7250P-704	7250P-704	7250P-704	7250P-704	M4 X 8 FLAT HEAD SCREW
5	7450P-006	7450P-006	7450P-006	7450P-006	BURNER DOOR
6	7450P-005	7450P-005	7450P-005	7450P-005	BURNER DOOR INSULATION
7	7450P-009	7450P-010	7450P-011	7450P-012	BURNER
8	7500P-074	7500P-074	7500P-074	7500P-074	GASKET - BURNER
9	7450P-008	7450P-008	7450P-007	7450P-007	AIR CHANNEL
10	7250P-206	7250P-206	7250P-206	7250P-206	M5 X 14MM TORX SCREWS - AIR CHANNEL
11	7500P-075	7500P-075	7500P-075	7500P-075	GASKET - AIR CHANNEL/BLOWER
12	7500P-031	7500P-031	7500P-031	7350P-159	COMBUSTION BLOWER
13	7250P-478	7250P-478	7250P-478	7250P-478	M5 X 12MM SOCKET CAP SCREW
14	7450P-022	7450P-023	7450P-024	7450P-024	AIR/GAS MIXER
15	7450P-141	7450P-141	7450P-141	7500P-099	SCREWS - AIR/GAS MIXER
16	7450P-115	7450P-115	7450P-115	7450P-115	WASHER - AIR/GAS MIXER
17	7450P-139	7450P-139	7450P-139	7450P-138	FLARE X BSP FITTING
18	7100P-140	7100P-140	7100P-140	7450P-140	FLEXIBLE GAS LINE
19	7450P-025	7450P-025	7450P-025	7350P-033	GAS VALVE
20	7450P-154	7450P-154	7450P-154	7450P-143	FLARE X NPT FITTING
21	7500P-067	7500P-067	7500P-067	7500P-067	M6 NUT - BURNER DOOR
22	7250P-005	7250P-005	7250P-005	7250P-005	GASKET - PROBE/ELECTRODE
23	7350P-020	7350P-020	7350P-020	7350P-020	SPARK ELECTRODE (W/GASKET)
24	7250P-069	7250P-069	7250P-069	7250P-069	SCREW M4 X 8MM - PROBE/ELECTRODE
25	7350P-022	7350P-022	7350P-022	7350P-022	FLAME RECTIFICATION PROBE (W/GASKET)
26	7250P-667	7250P-667	7250P-667	7250P-667	THERMISTOR
27	7250P-096	7250P-096	7250P-096	7250P-096	WATER PRESSURE SWITCH - NPT THREAD
28	7450P-192	7450P-192	7450P-192	7450P-192	THERMISTOR/WATER TEMP SWITCH
29	7450P-185	7450P-185	7500P-057	7500P-057	CONDENSATE HOSE
30	7450P-200	7450P-200	7450P-200	7450P-200	CONDENSATE COLLECTOR ASSY
31	7250P-210	7250P-210	7250P-210	7250P-210	HOSE CLAMP
32	7450P-144	7450P-144	7450P-144	7450P-147	PAN HEAD SCREW
33	7350P-063	7350P-063	7350P-063	7350P-063	#10 X 1/2" SELF TAPPING SCREW - CONDENSATE
34	7450P-199	7450P-199	7450P-199	7450P-199	1/4" NPT NIPPLE
35	7450P-220	7450P-220	7450P-220	7450P-220	AIR/GAS MIXER INLET ASSY
36	7450P-197	7450P-197	7450P-197	7450P-197	AIR RELEASE VENT
37	7350P-167	7350P-167	7350P-167	7350P-167	CONDENSATE OVERFLOW SWITCH
38	7450P-165	7450P-165	7450P-165	7450P-165	SET SCREW - 10-32 X 3/8
39	7350P-624	7350P-624	7350P-624	7350P-623	24VAC GAS VALVE COIL ONLY - GREY

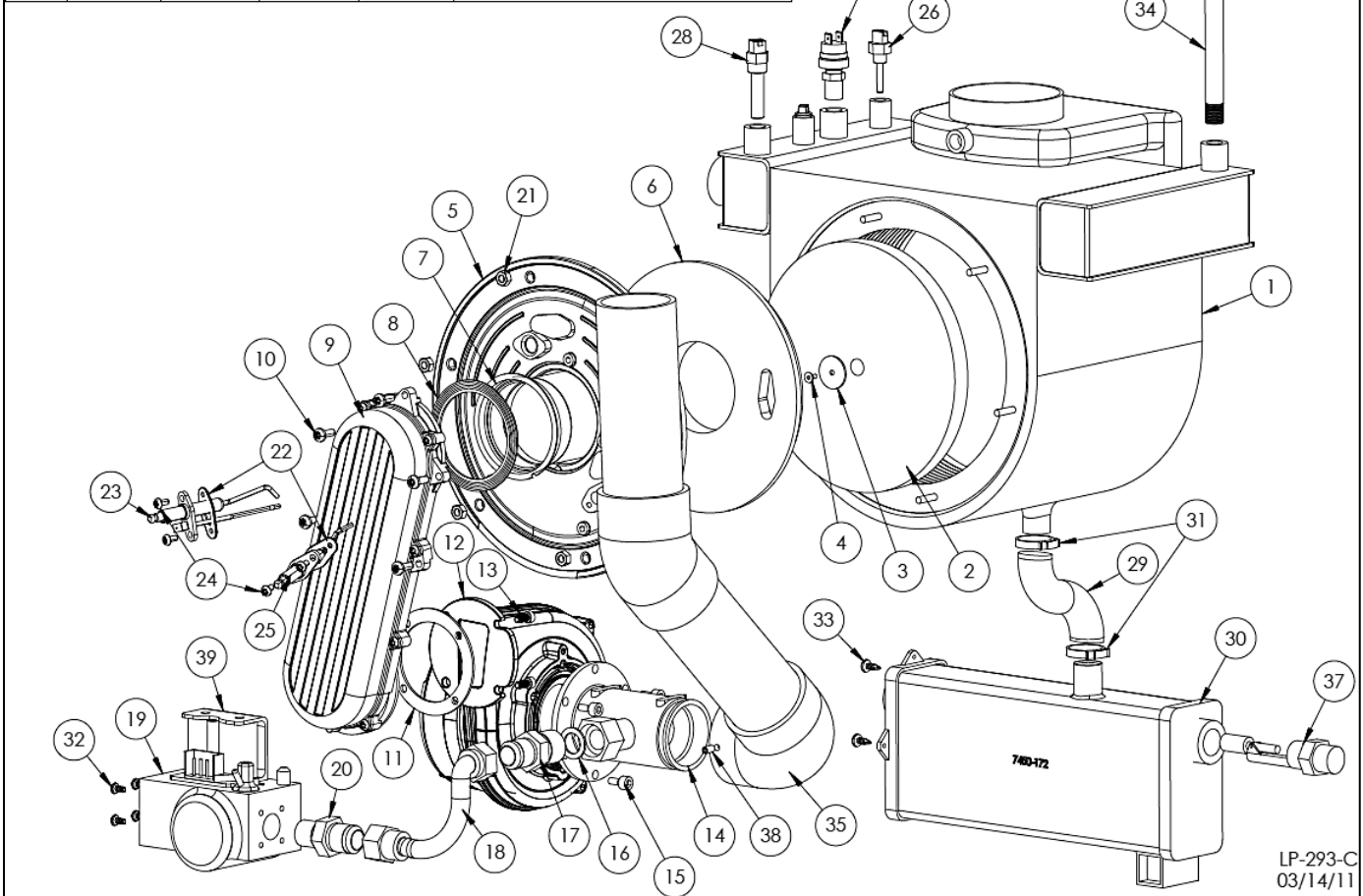
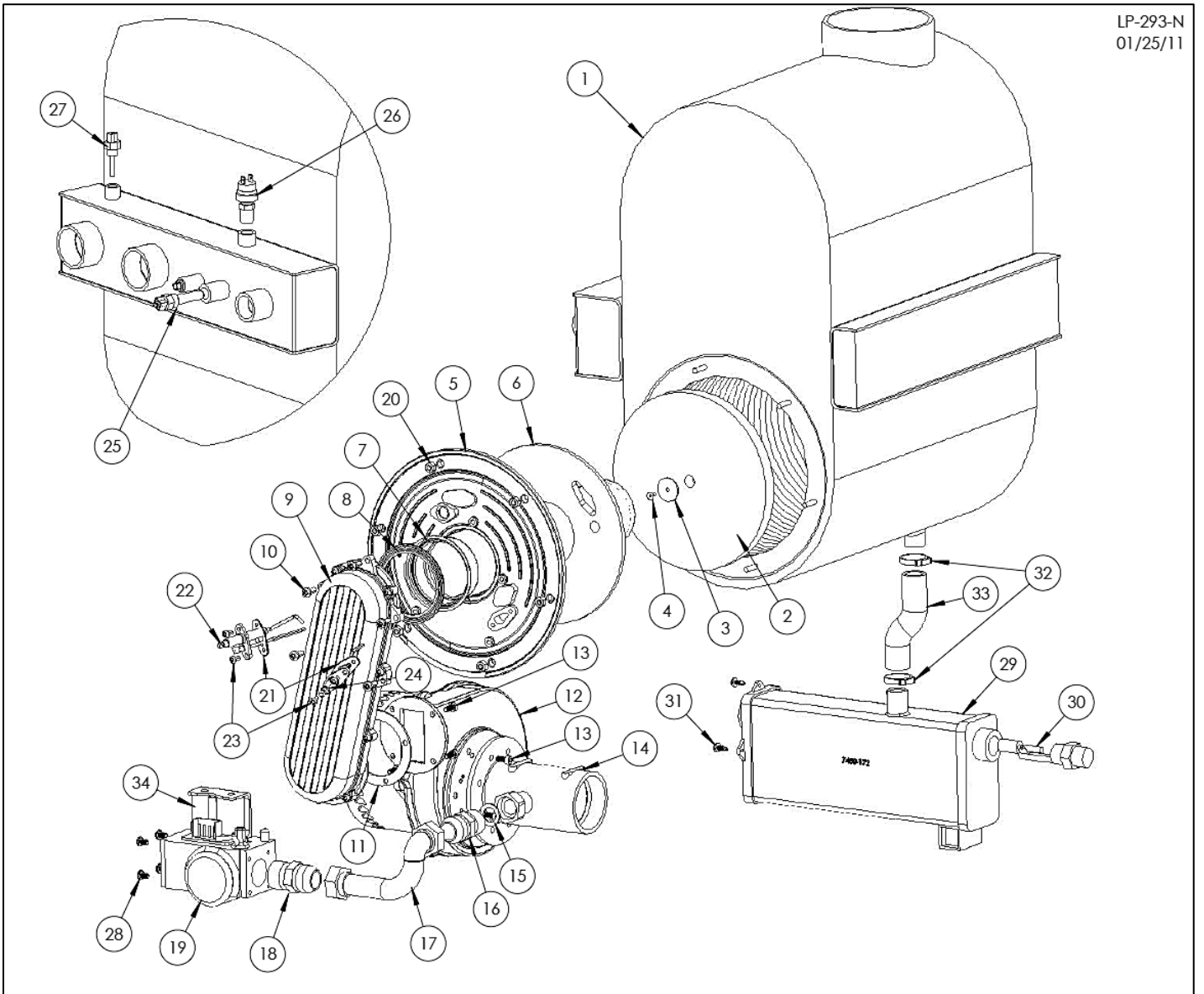


Figure 34

LP-293-C
03/14/11



Item No	EL-299	EL-399	Description	Item No	EL-299	EL-399	Description
1	7450P-014	7450P-015	BOILER MODULE	19	7350P-033	7350P-033	GAS VALVE
2	7250P-160	7250P-160	CERAMIC TARGET WALL	20	7500P-067	7500P-067	M6 NUT - BURNER DOOR
3	7500P-109	7500P-109	M4 FLAT WASHER - TARGET WALL	21	7250P-005	7250P-005	GASKET - PROBE/ELECTRODE
4	7250P-704	7250P-704	M4 X 8 FLAT HEAD SCREW - TARGET WALL	22	7350P-020	7350P-020	SPARK ELECTRODE (w/GASKET)
5	7450P-006	7450P-006	BURNER DOOR	23	7250P-069	7250P-069	SCREW M4 X 8MM - PROBE/ELECTRODE
6	7450P-005	7450P-005	BURNER DOOR INSULATION	24	7350P-022	7350P-022	FLAME RECTIFICATION PROBE (w/GASKET)
7	7350P-031	7350P-031	BURNER - GCFI	25	7450P-192	7450P-192	THERMISTOR/WATER TEMP SWITCH
8	7500P-074	7500P-074	GASKET - BURNER	26	7250P-096	7250P-096	WATER PRESSURE SWITCH - NPT THREAD
9	7450P-007	7450P-007	AIR CHANNEL	27	7250P-667	7250P-667	THERMISTOR
10	7250P-206	7250P-206	M5 X 14MM TORX SCREWS - AIR CHANNEL	28	7450P-147	7450P-147	M5 X 8MM PAN HEAD SCREW - GAS VALVE
11	7500P-075	7500P-075	GASKET - AIR CHANNEL/BLOWER	29	7450P-200	7450P-200	CONDENSATE COLLECTOR ASSY
12	7350P-159	7350P-159	COMBUSTION BLOWER	30	7500P-041	7500P-041	CONDENSATE OVERFLOW SWITCH
13	7250P-478	7450P-478	M5 X 12MM SOCKET CAP SCREW - MIXER/BLOWER	31	7350P-063	7350P-063	#10 x 1/2" SELF TAPPING SCREW - CONDENSATE
14	7450P-029	7450P-029	AIR GAS MIXER	32	7250P-210	7250P-210	HOSE CLAMP
15	7450P-115	7450P-115	WASHER - AIR/GAS MIXER	33	7500P-057	7500P-057	CONDENSATE HOSE
16	7450P-138	7450P-138	FLARE X BSP FITTING	34	7350P-623	7350P-623	24VAC GAS VALVE COIL ONLY - GREY
17	7450P-140	7450P-140	FLEXIBLE GAS LINE				
18	7450P-143	7450P-143	FLARE X NPT FITTING				

Figure 35

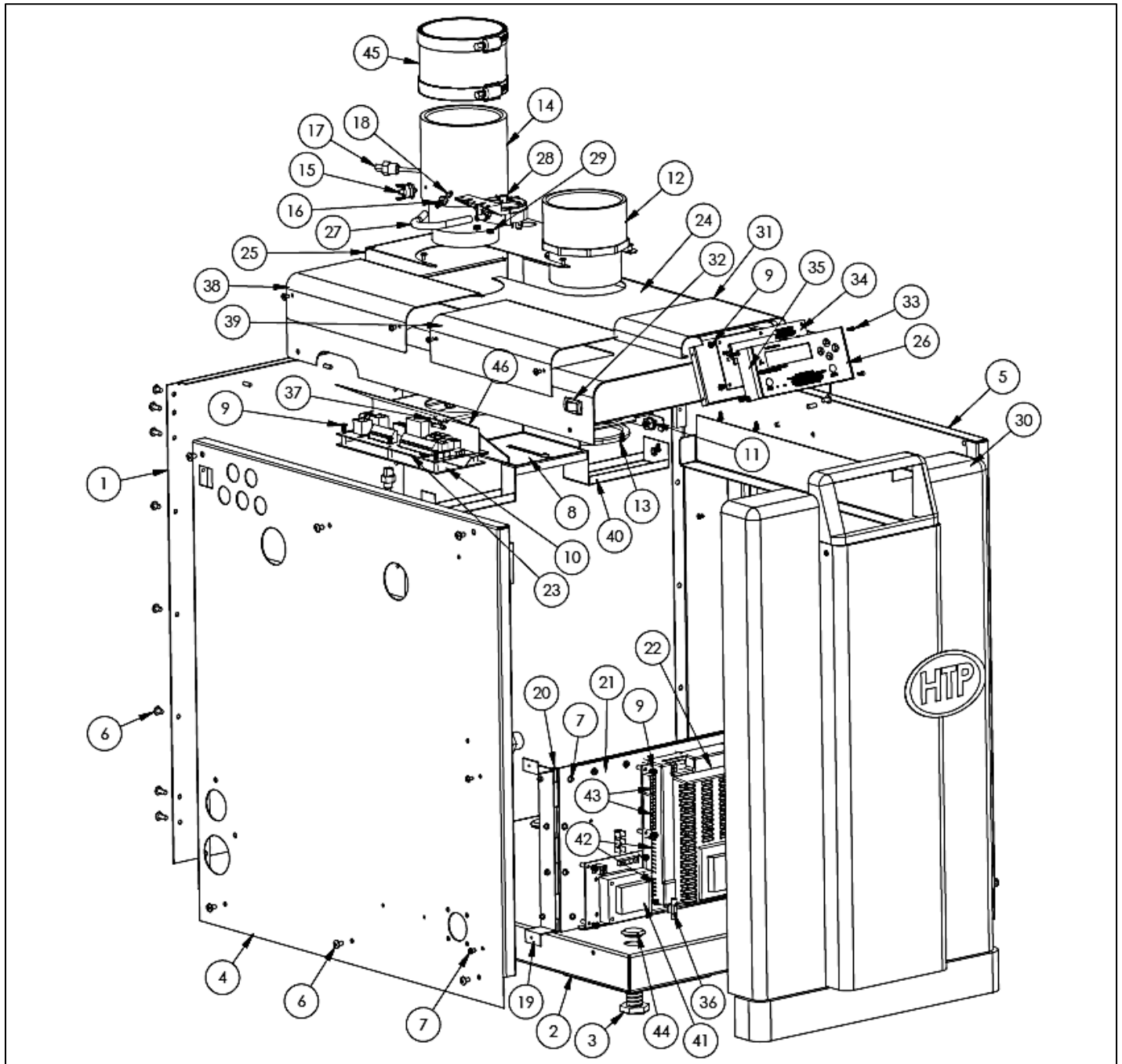


Figure 36 – LP-293-A

NOTE: Parts listed on the following page.

ITEM#	EL-80	EL-110	EL-150	EL-220	EL-299	EL-399	DESCRIPTION
1	7450P-039				7450P-065		JACKET - REAR
2	7450P-055	7450P-056	7450P-038	7450P-064	7450P-068		JACKET - BOTTOM
3	7450P-121						LEVELING FEET
4	7450P-057	7450P-059	7450P-060	7450P-036	7450P-061	7450P-066	JACKET - LEFT SIDE
5	7450P-058	7450P-123	7450P-062	7450P-037	7450P-063	7450P-067	JACKET - RIGHT SIDE
6	7450P-080						10-32 X 5/16 PAN HEAD SCREW - JACKET
7	7450P-081						6-32 X 1/4 PAN HEAD SCREW - ACCESSORIES
8	7450P-074			7450P-075			AIR/EXHAUST SUPPORT PLATE
9	7500P-115						6-32 X 1/4 PAN HEAD SCREW - ELECTRONIC BOARDS
10	7450P-178			N/A			FIELD CONNECTION BOARD PLATE
11	7450P-088						8-32 FLANGED NUT - AIR EXHAUST PLATE
12	7450P-030			7450P-031			AIR INLET ADAPTER

13	7450P-032			7450P-033		AIR INLET CONNECTOR NUT
14	7450P-201			7450P-202		EXHAUST ADAPTER
15	7250P-739					ECO FLUE SWITCH - 160 DEGREES
16	7250P-154					S.S. BARBED FITTING - 1/4 HOSE X 10-32
17	7450P-026					FLUE THERMISTOR
18	7250P-152					SILICONE O-RING 2-007 - BARBED FITTING
19	7450P-079					HINGE BRACKET
20	7450P-091					HINGE
21	7450P-132					CONTROL BOARD DOOR W/HINGE
22	7450P-122					926 CONTROL BOARD
23	7350P-070					FIELD CONNECTION BOARD
24	7450P-040	7450P-041	7450P-042	7450P-043	7450P-044	JACKET - TOP COVER FRONT
25	7450P-072	7450P-099		7450P-073		JACKET - TOP COVER BACK
26	7450P-021					MEMBRANE TOUCHPAD
27	7000P-805					PLASTIC TUBING - 3/16 OD - BLOCKED VENT PRESSURE SWITCH
28	7250P-150					BLOCKED VENT PRESSURE SWITCH
29	7450P-142					6-32 FLANGED NUT - BLOCKED VENT PRESSURE SWITCH
30	7450P-046			7450P-051		JACKET - FRONT COVER ASSY
31	7450P-045					JACKET - TOP COVER INSERT
32	7500P-087					POWER SWITCH
33	7450P-092					6-32 FLAT HEAD SCREW - ACCESSORIES
34	7450P-028					DISPLAY BOARD
35	7450P-018					MEMBRANE SWITCH BRACKET
36	7250P-378					FUSE - CONTROL BOARD - 6.3 AMPS
37	7350P-129					FUSE - CONNECTION BOARD - 3.15 AMPS
38	7450P-160					FIELD CONNECTION BOARD COVER
39	N/A		7450P-161	N/A		BOILER ACCESS COVER
40	7450P-076			7450P-077	7450P-077 (2)	MODULE HOLD-DOWN STRAP
41	N/A		7450P-221			TRANSFORMER ASSEMBLY
42	7450P-204	7450P-208	7450P-209	7450P-210		120V WIRING HARNESS (NOT SHOWN)
43	7450P-203	7450P-205	7450P-206	7450P-207		LOW VOLTAGE WIRING HARNESS (NOT SHOWN)
44	7450P-226					7/8 HOLE PLUG
45	7450P-282			7450P-157		CLAMP ALL - EXHAUST VENT ADAPTER
46	7450P-287					CUSTOMER CONNECTION BOARD SHIELD

BOILER START-UP REPORT

LIGHT OFF ACTIVITIES		DATE COMPLETED			
1) Fill the heating system	Check all piping and gas connections, verify all are tight				
	Pressurize system (12 – 15 psi)	___ PSI			
	Add water to prime condensate cup				
	Percentage of glycol in system (0 – 50%)	___ %			
	Verify near boiler piping is properly supported				
2) Check gas pipe	Leak test using locally approved methods (consult jurisdictional code book)				
	Check incoming gas pressure (3.5" to 14" W.C.)	___ in w.c.	Static		
	What is the "drop" on light off (No more than 1" W.C.)?	___ in w.c.	Dynamic		
3) Check combustion	Check and adjust (if necessary) carbon dioxide content	___% CO2	High Fire	___% CO2	Low Fire
	Check and adjust (if necessary) carbon monoxide content	___ppm CO	High Fire	___ ppm CO	Low Fire
4) Verify system operation	Turn up thermostat to verify wiring connections				
5) Record ionization current	Check uA reading at d7 on the status menu (see start-up section)	___ uA	High Fire	___ uA	Low Fire