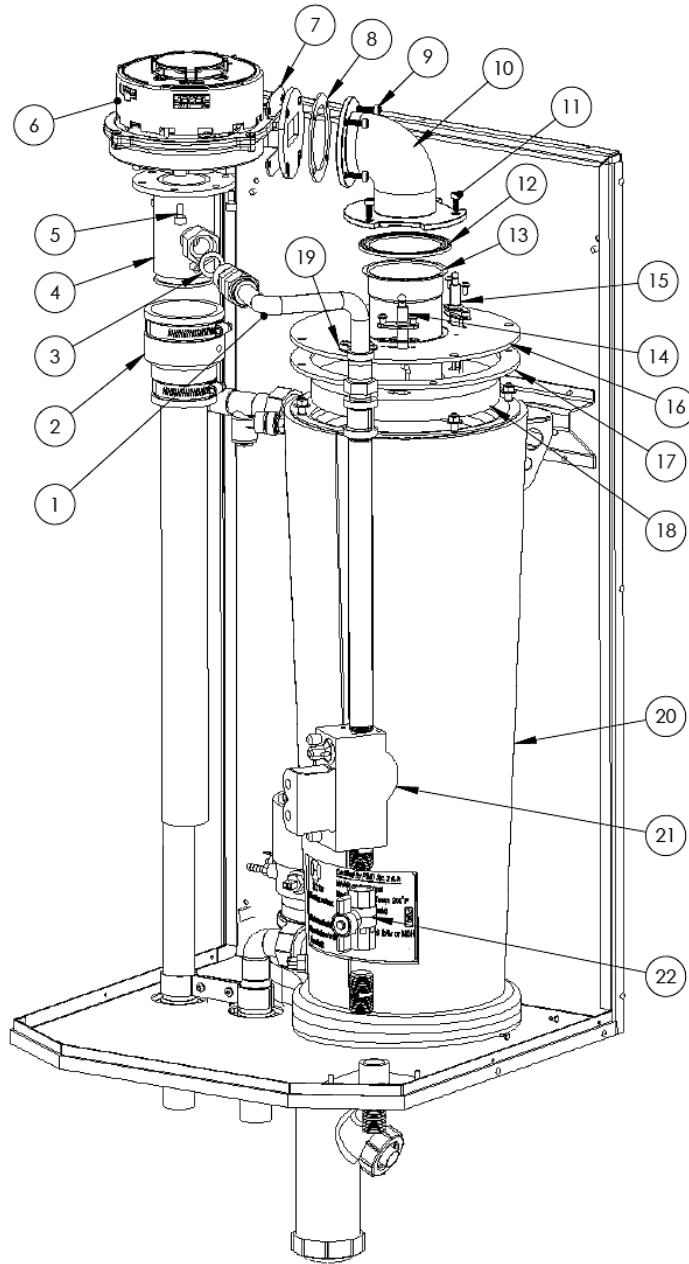


EFT-55 / 80 / 110 PARTS BREAKDOWN



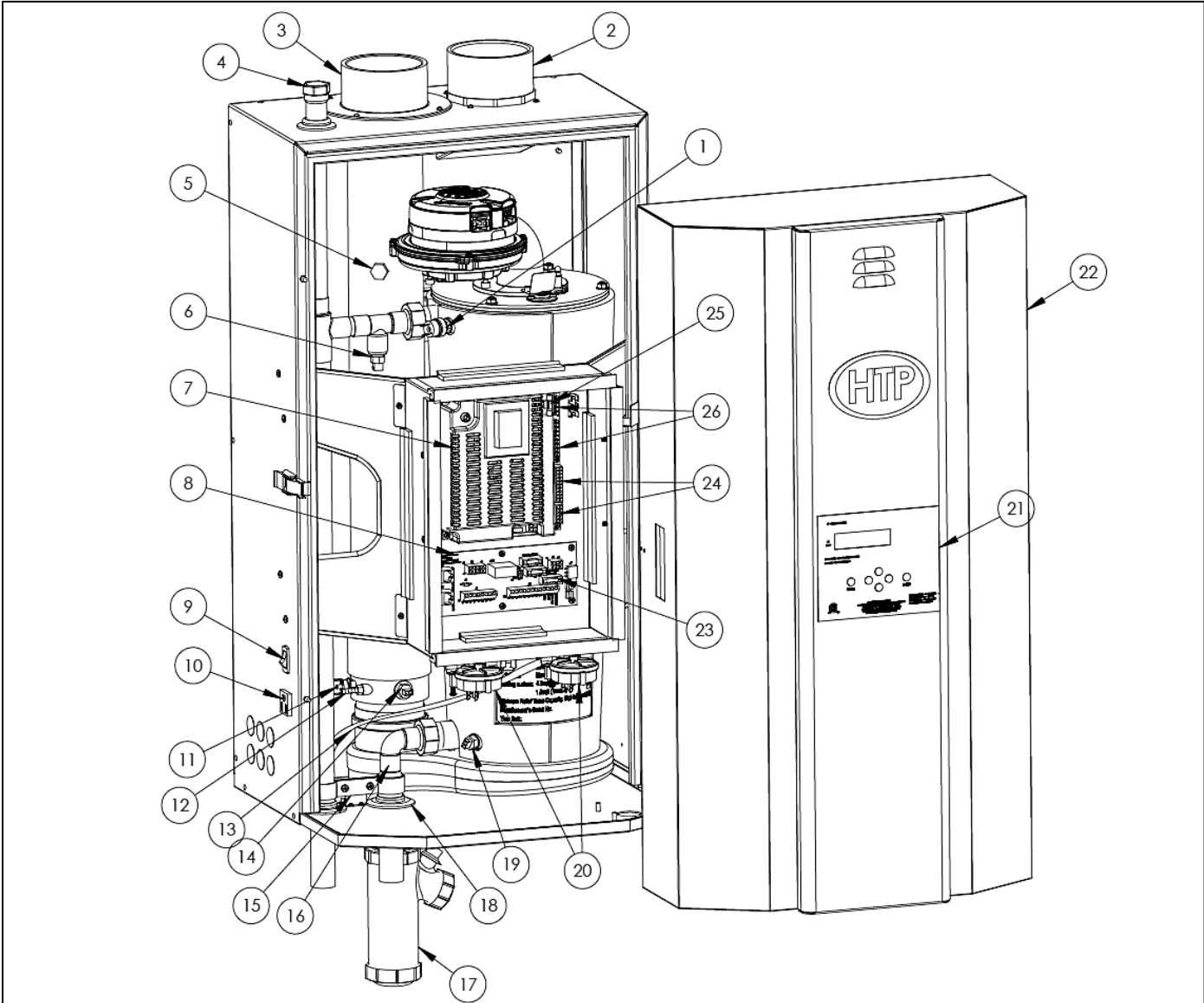
ITEM#	REPLACEMENT PART #	DESCRIPTION
1	7100P-140	FLEXIBLE GAS LINE (w/WASHER)
2	7600P-102	AIR INLET ASSEMBLY
3	7450P-115	FIBER WASHER - FLEXIBLE GAS LINE
4	7450P-022	GAS VENTURI (w/FIBER WASHER)
5	7450P-141	M6 X 12MM SCREWS - VENTURI
6	7500P-195	COMBUSTION BLOWER (w/GASKET)
7	7600P-041	PLATE - COMBUSTION BLOWER M5
8	7500P-075	GASKET - BLOWER TO AIR CHANNEL
9	7250P-477	SCREWS - AIR CHANNEL TO BLOWER
10	7600P-001	AIR CHANNEL (w/SCREWS)
11	7250P-478	SCREWS - AIR CHANNEL TO HEAT EXCHANGER
12	7500P-074	GASKET - BURNER
13	7600P-009	BURNER (w/GASKET) EFT-110

ITEM#	REPLACEMENT PART #	DESCRIPTION
	7600P-010	BURNER (w/GASKET) EFT-55, 80
14	7600P-087	IONIZATION ELECTRODE (w/GASKET, SCREWS)
15	7350P-021	IGNITOR (w/GASKET, SCREWS)
16	7600P-077	BURNER DOOR
17	7600P-071	GASKET - BURNER DOOR
18	7600P-070	REFRACTORY - BURNER DOOR
19	7600P-072	SIGHT GLASS (w/GASKET, SCREWS)
20	7600P-002	HEAT EXCHANGER (EFT-55)
	7600P-003	HEAT EXCHANGER ONLY (EFT-80)
	7600P-004	HEAT EXCHANGER ONLY (EFT-110)
21	7450P-025	GAS VALVE
22	7250P-140	GAS SHUT-OFF VALVE

LP-387-J
05/08/13

Figure 38 - Replacement Parts - LP-387-J

EFT-55 / 80 / 110 PARTS BREAKDOWN



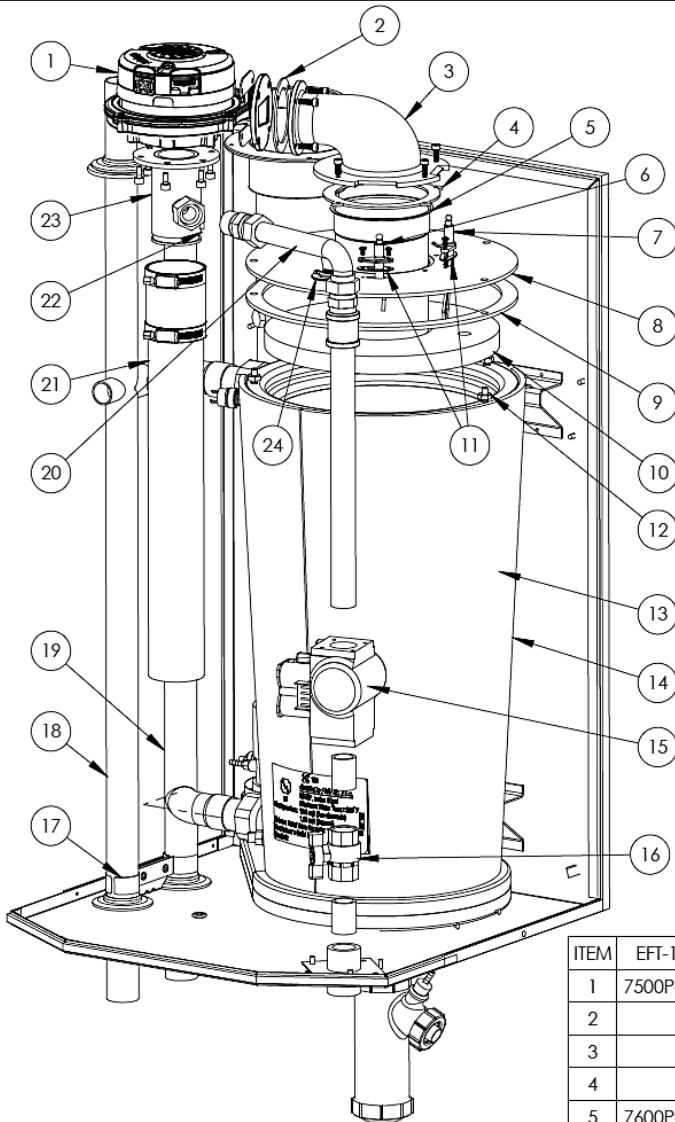
LP-387-N
09-28-12

ITEM #	REPLACEMENT PART #	DESCRIPTION
1	7600P-007	WATER PRESSURE SWITCH
2	7450P-030	3" PVC ADAPTER
3	7600P-060	3" PVC VENT OUTLET ASSEMBLY
4	7600P-501	OUTLET PIPING ASSEMBLY
5	7600P-043	PVC PLUG
6	7600P-045	COMBINATION SUPPLY/ HIGH TEMPERATURE SWITCH
7	7450P-122	926 CONTROL BOARD (w/RIBBON CABLE)
8	7350P-070	FIELD CONNECTION BOARD
9	7500P-087	POWER SWITCH
10	7500P-037	CONDENSATE OUTLET
11	7250P-739	FLUE SWITCH
12	7250P-165	S.S. HOSE BARB (w/O-RING)
13	7000P-805	CLEAR HOSE - PRESSURE SWITCHES
14	7450P-026	FLUE TEMPERATURE SENSOR

ITEM#	REPLACEMENT PART#	DESCRIPTION
15	7600P-036	PIPING BRACKET
16	7600P-500	INLET PIPING ASSEMBLY
17	7600P-006	CONDENSATE ASSEMBLY
18	7600P-057	PIPE GROMMET
19	7250P-059	THERMISTOR (w/O-RING)
20	7600P-502	PRESSURE SWITCH (w/SCREWS)
21	7600P-005	DISPLAY ASSEMBLY
22	7600P-028	FRONT COVER ASSEMBLY
23	7350P-129	FUSE - 3.15A - CUSTOMER CONNECTION BOARD
24	7600P-101	LOW VOLTAGE WIRING HARNESS (location shown)
25	7250P-378	FUSE - 6.3A - CONTROL BOARD
26	7600P-100	120V WIRING HARNESS (location shown)
27	7250P-653	IGNITOR LEAD CABLE (NOT SHOWN)
28	7250P-080	PRESSURE RELIEF VALVE (NOT SHOWN)

Figure 39 – Replacement Parts - *#20 – Switch on the Left is the Blocked Flue Pressure Switch, Switch on the Right is the Blocked Condensate Pressure Switch – Both share same Part Number

EFT-155 / 199 / 285 / 399 PARTS BREAKDOWN

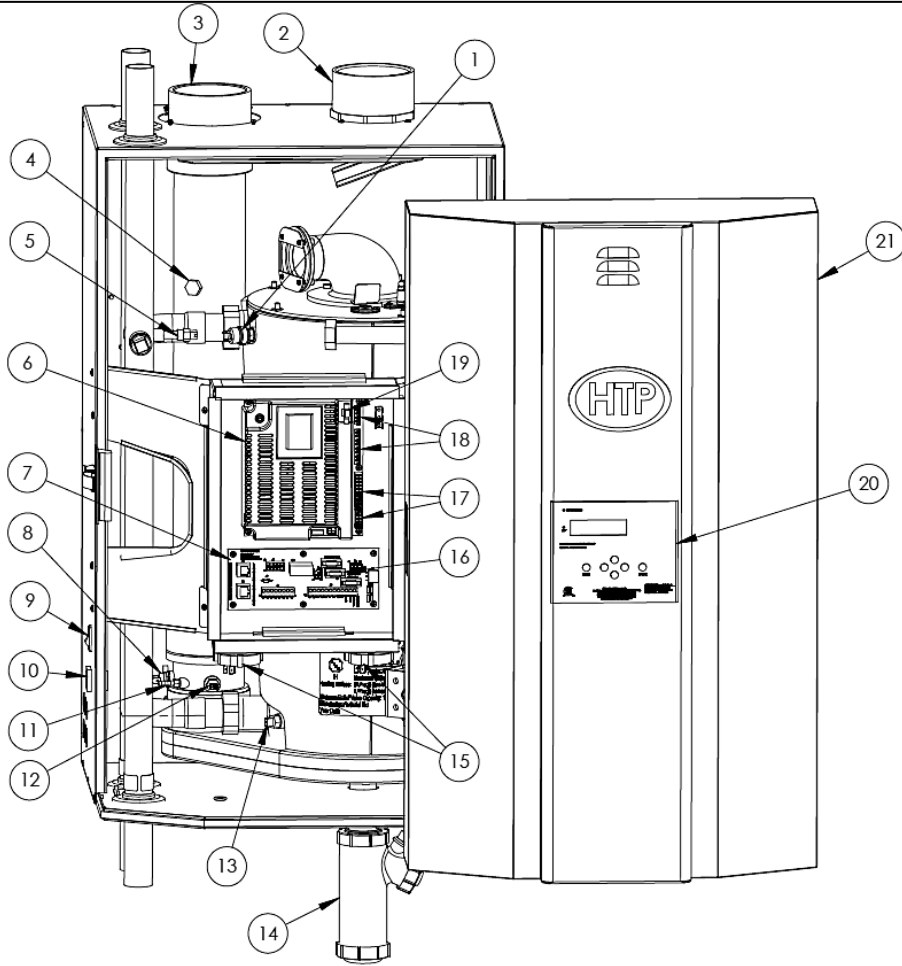


ITEM	EFT-155	EFT-199	EFT-285	EFT-399	DESCRIPTION
1	7500P-031	7350P-159			COMBUSTION BLOWER (w/GASKET)
2	7500P-075				GASKET - COMBUSTION BLOWER
3	7600P-908		7600P-909		AIR CHANNEL (w/GASKET, SCREWS)
4	7600P-105		7600P-106		GASKET - BURNER
5	7600P-155	7600P-114	7600P-115		BURNER (w/GASKET)
6	7600P-087				FLAME RECTIFICATION PROBE (w/GASKET, SCREWS)
7	7350P-021				IGNITOR (w/GASKET, SCREWS)
8	7600P-910		7600P-911		BURNER DOOR
9	7600P-112		7600P-113		GASKET - BURNER DOOR
10	7600P-110		7600P-111		REFRACTORY - BURNER DOOR
11	7250P-005				GASKET - PROBES
12	7500P-067				6MM NUTS - BURNER DOOR
13	7600P-090	7600P-091	7600P-092	7600P-093	HEAT EXCHANGER (w/INSULATION)
14	7600P-147			7600P-148	INSULATION - HEAT EXCHANGER
15	7450P-025	7350P-033			GAS VALVE
16	7250P-140	7350P-079			SHUT-OFF VALVE
17	7600P-136		7600P-236		PIPE CLAMP
18	7600P-902		7600P-903		INTLET PIPING ASSEMBLY
19	7600P-900		7600P-899	7600P-901	OUTLET PIPING ASSEMBLY
20	7100P-140	7600P-152			FLEXIBLE GAS LINE (w/GASKET)
21	7600P-102		7600P-912		AIR INLET - BLOWER
22	7450P-115				GASKET - BSSP CONNECTIONS
23	7450P-024	7450P-023	7450P-029		VENTURI (w/GASKET)
24	7600P-072				SIGHT GLASS (w/GASKET, SCREWS)

LP-387-KK
05/23/13

Figure 40 - Replacement Parts - LP-387-KK

EFT-155 / 199 / 285 / 399 MODEL PARTS BREAKDOWN



ITEM	EFT-155	EFT-199	EFT-285	EFT-399	DESCRIPTION
1		7600P-007		7600P-007*	WATER PRESSURE SWITCH
2		7450P-030		7600P-150	3"/4" INLET ADAPTER
3		7600P-060		7600P-119	3"/4" VENT OUTLET ASSEMBLY
4		7600P-043			PVC PLUG
5		7600P-045			COMBINATION SUPPLY/HIGH TEMPERATURE SWITCH
6		7450P-122			926 CONTROL BOARD (w/RIBBON CABLE)
7		7350P-070			FIELD CONNECTION BOARD
8		7250P-739			FLUE SWITCH
9		7500P-087			POWER SWITCH
10		7500P-037			CONDENSATE OUTLET
11		7250P-165			S.S. HOSE BARB (w/O-RING)
12		7450P-026			FLUE TEMPERATURE SENSOR
13		7250P-059		7250P-667*	THERMISTOR (w/O-RING)
14		7600P-006			CONDENSATE ASSEMBLY
15		7600P-502			PRESSURE SWITCH (w/SCREWS)
16		7350P-129			FUSE - 3.15A CUSTOMER CONNECTION BOARD
17		7600P-904		7600P-905	LOW VOLTAGE WIRING HARNESS (not shown)
18		7600P-906		7600P-907	120V WIRING HARNESS (not shown)
19		7250P-378			FUSE - 6.3A - CONTROL BOARD
20		7600P-005			DISPLAY ASSEMBLY
21		7600P-128		7600P-228	FRONT COVER ASSEMBLY
22		7000P-805			CLEAR HOSE - PRESSURE SWITCHES (not shown)
23		7250P-653		7350P-120	IGNITOR LEAD CABLE (not shown)
24		7250P-080		7350P-066	PRESSURE RELIEF VALVE (not shown)
25		7000P-805			PLASTIC TUBING - PRESSURE SWITCHES (not shown)

LP-387-JJ
06/05/12

* ITEM ATTACHED TO PIPING ASSEMBLY

Figure 41 - Replacement Parts - LP-387-JJ – EFT-155 - 399 Models