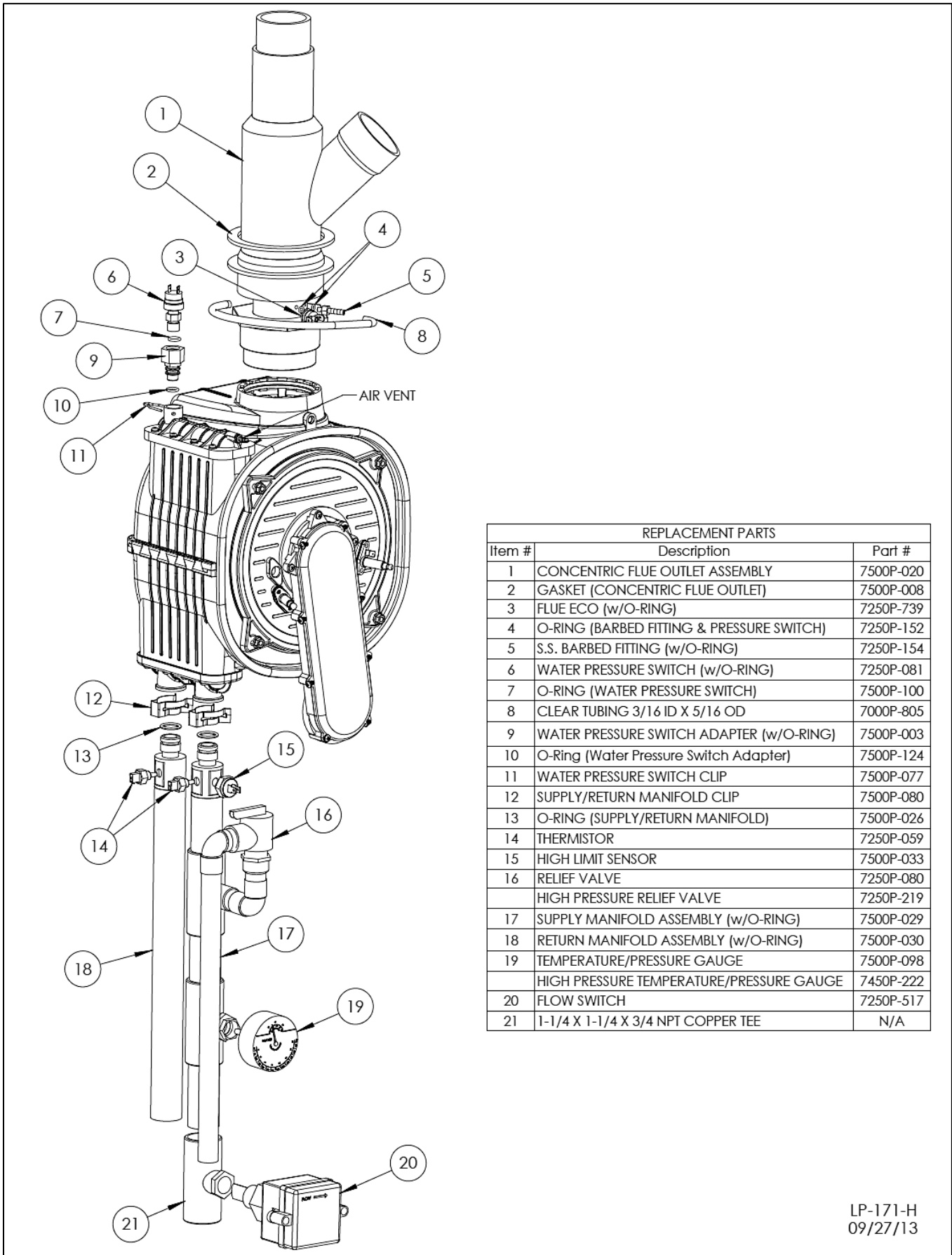


## REPLACEMENT PARTS

Item #	Description	Part #	Item #	Description	Part #
1	COMPOSITE MODULE	7500P-010 (MC50)	16	SCREWS M5 X 12MM (COMBUSTION BLOWER)	7250P-478
		7500P-012 (MC80)	17	GAS VALVE ADAPTER PLATE (w/SCREWS)	7250P-644
		7500P-014 (MC99/MC120)	18	SCREWS M4 X 12MM (GAS VALVE ADAPTER PLATE)	7500P-105
2	CERAMIC TARGET WALL	7250P-160	19	AIR INTAKE ADAPTER - BLOWER SIDE	7500P-184 (MC99/MC120)
3	BURNER DOOR CERAMIC REFRACTORY	7500P-076	20	GAS VALVE SWIRL PLATE	7500P-091 (MC50)
4	BURNER DOOR (w/NUTS)	7500P-078			7500P-092 (MC80)
5	NUTS - M6 (BURNER DOOR)	7500P-067			7500P-186 (MC99/MC120)
6	BURNER	7500P-015 (MC50)	21	AIR INTAKE ADAPTER - VALVE SIDE	7500P-185 (MC99/MC120)
		7500P-016 (MC80)	22	GAS VALVE (w/SWIRL PLATE, SCREWS)	7250P-448 (MC50)
		7500P-017 (MC99/MC120)			7250P-449 (MC80)
7	GASKET (BURNER)	7500P-074			7500P-180 (MC99/MC120)
8	AIR/GAS CHANNEL (w/TORX SCREWS)	7500P-079	23	SCREWS M4 X 18MM (GAS VALVE)	7250P-716 (MC50)
9	TORX SCREWS (AIR/GAS CHANNEL)	7500P-068		SCREWS M4 X 19MM (GAS VALVE)	7250P-717 (MC80)
10	GASKET (FLAME REC/SPARK ELECTRODE)	7250P-005		SCREWS M4 X 25MM (GAS VALVE)	7250P-718 (MC99/MC120)
11	FLAME RECTIFICATION PROBE (w/GASKET)	7500P-039	24	O-RING (GAS VALVE PIPING ASSY)	7500P-094
12	SPARK ELECTRODE (w/GASKET)	7350P-020	25	GAS VALVE PIPING ASSY (w/O-RING, SCREWS)	7500P-095
13	SCREWS M4 X 8MM (PROBE/ELECTRODE)	7250P-069	26	SCREWS M5 X 12MM (GAS VALVE PIPING ASSY)	7500P-099
14	GASKET (AIR CHANNEL TO COMBUSTION BLOWER)	7500P-075	27	2" FLEX HOSE - 25" LONG	7500P-189 (MC99/MC120)
15	COMBUSTION BLOWER (w/SCREWS)	7500P-195	28	24VAC GAS VALVE COIL ONLY - GREY	7350P-624

Figure 32



REPLACEMENT PARTS		
Item #	Description	Part #
1	CONCENTRIC FLUE OUTLET ASSEMBLY	7500P-020
2	GASKET (CONCENTRIC FLUE OUTLET)	7500P-008
3	FLUE ECO (w/O-RING)	7250P-739
4	O-RING (BARBED FITTING & PRESSURE SWITCH)	7250P-152
5	S.S. BARBED FITTING (w/O-RING)	7250P-154
6	WATER PRESSURE SWITCH (w/O-RING)	7250P-081
7	O-RING (WATER PRESSURE SWITCH)	7500P-100
8	CLEAR TUBING 3/16 ID X 5/16 OD	7000P-805
9	WATER PRESSURE SWITCH ADAPTER (w/O-RING)	7500P-003
10	O-Ring (Water Pressure Switch Adapter)	7500P-124
11	WATER PRESSURE SWITCH CLIP	7500P-077
12	SUPPLY/RETURN MANIFOLD CLIP	7500P-080
13	O-RING (SUPPLY/RETURN MANIFOLD)	7500P-026
14	THERMISTOR	7250P-059
15	HIGH LIMIT SENSOR	7500P-033
16	RELIEF VALVE	7250P-080
	HIGH PRESSURE RELIEF VALVE	7250P-219
17	SUPPLY MANIFOLD ASSEMBLY (w/O-RING)	7500P-029
18	RETURN MANIFOLD ASSEMBLY (w/O-RING)	7500P-030
19	TEMPERATURE/PRESSURE GAUGE	7500P-098
	HIGH PRESSURE TEMPERATURE/PRESSURE GAUGE	7450P-222
20	FLOW SWITCH	7250P-517
21	1-1/4 X 1-1/4 X 3/4 NPT COPPER TEE	N/A

LP-171-H  
09/27/13

Figure 33

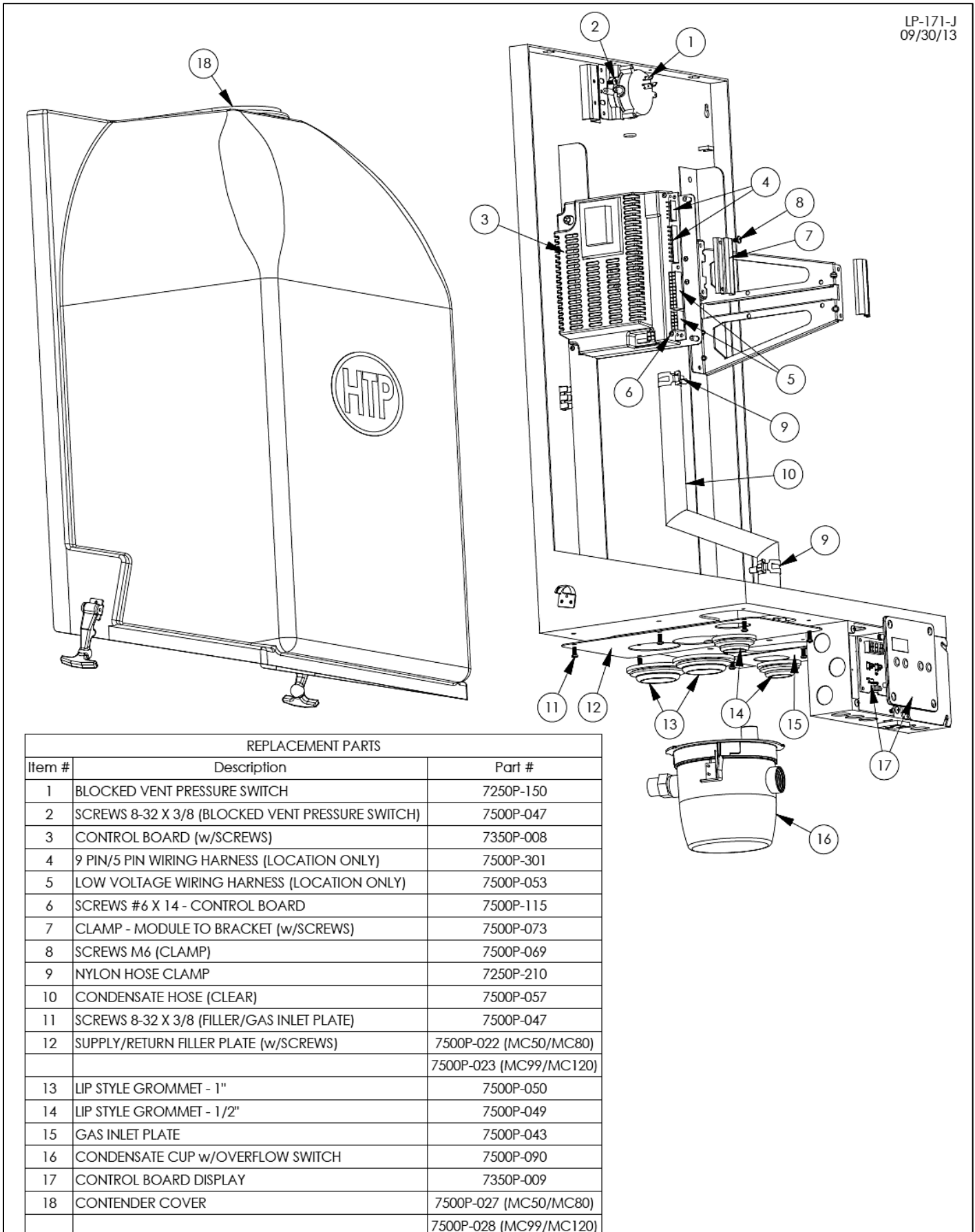
LP-171-J  
09/30/13

Figure 34