



ZDV5245

ZERO CLEARANCE DIRECT VENT GAS FIREPLACE



The Ultimate in Design, Engineering & Quality

This unit illustrated is a ZDV5245N Zero Clearance Direct Vent Fireplace – Natural Gas with LOGF30 Fibre Split Oak Log Set, Z52GBC Grill Kit - Classic Chrome Grills, and Z52RL - Refractory Brick Liner.

The Ultimate in Zero Clearance Direct Vent Fireplaces for New Home Construction or Renovation

YOUR BEST CHOICE FOR INSTALLATION ANYWHERE THROUGHOUT YOUR HOME.

MODEL	ZDV5245N	ZDV5245LP
FUEL	NATURAL	PROPANE
INPUT MAX.	47,000 BTU	40,000 BTU
INPUT MIN.	30,000 BTU	30,000 BTU
FE (P.4.1-02)	54.6%	54.3%

FEATURES*

- Hi/lo Millivolt valve with variable adjustment of flame and BTU
- A flame sensor that constantly monitors the pilot flame and provides 100% gas shut off if pilot is not sensed
- Dual burner

OPTIONAL FEATURES

Refractory Liner – Three Piece

Grills – Black, Classic Series Black with Antique, Polish Brass or Chrome Accents

Surrounds – Polish Brass, Antique Brass, Chrome.

Fan Kit – Thermostatically controlled for automatic On/Off operation and variable speed control.

Thermostat – Wall Mount Millivolt Thermostat or Programmable Thermostat

Remote Control – On/Off, Thermostat or Hi/Lo On/Off

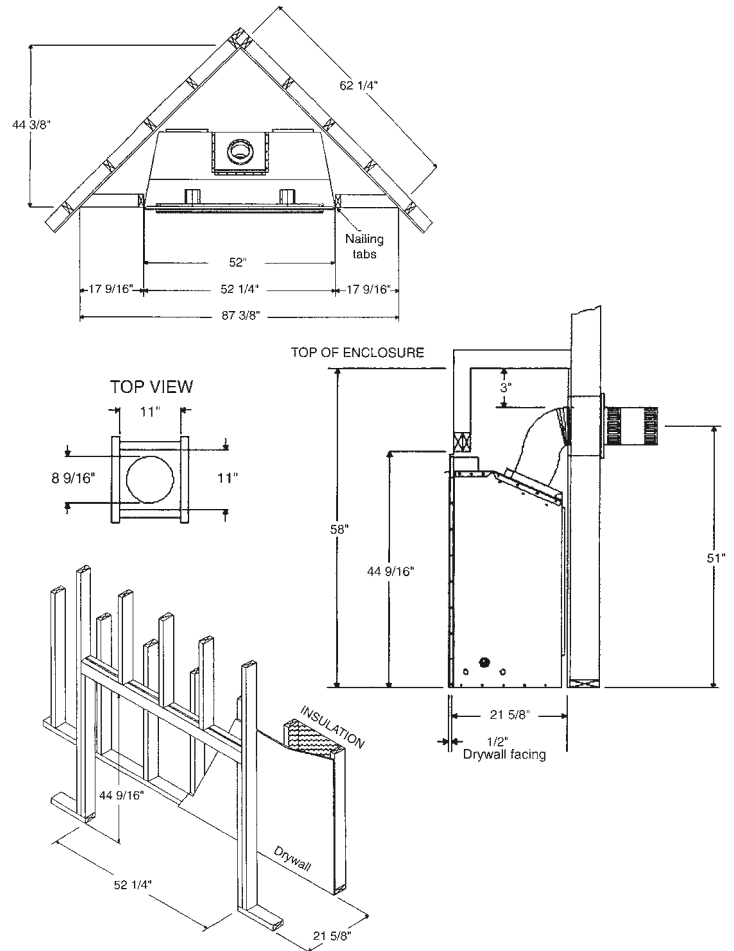
Log Sets – Choose from our LOGF18, LOGF24, or LOGF30 as illustrated.

Surrounds Slim Line – Polish Brass, Antique Brass, Chrome and Gun Metal Black

Overlay Arch Doors – Deluxe, Top Half, Double Arch and Double Door



ZDV5245N Fireplace, Z52GBL Black Grills, LOGF30 Fibre Split Oak Log Set



UNIT AND FRAMING SPECIFICATIONS (INCHES)

MODEL	Height		Front Width		Depth	
	Actual	Framing	Actual	Framing	Actual	Framing
ZDV5245	44 ³ / ₈ "	44 ⁹ / ₁₆ "	52"	52 ¹ / ₄ "	21 ⁵ / ₈ "	21 ⁵ / ₈ "



Kingsman Industries maintains a program of continuous testing, refinement and improvements of all its products. Some aspect of units shown here may be changed at any time without notice or obligation.

Certification: The ZDV5245 is certified to USA/CANADA as Decorative Direct Vent Fireplaces. (ANSI Z21.50-1998/CGA 2.22-M98, CSA P.4.1-02)

*Components may have to be ordered separately to create a complete unit. Discuss with your local Kingsman dealer for clarification.



2340 Logan Avenue
Winnipeg, Manitoba, Canada R2R 2V3
Phone: (204) 632-1962 Fax: (204) 632-1960
www.kingsmanfireplaces.com