

MGC2Series
Condensing & Non-Condensing Models

MGC2SA/ MGC2SK SERIES 80+



Upflow/Horizontal Furnace



Downflow Furnace

MGC2SC/ MGC2SL SERIES 92.1%



Upflow/Horizontal Furnace



Downflow Furnace

*Model description may be prefixed with an alphanumeric character.

Table of Contents

***SA / *SK 80+ SERIES NONCONDENSING GAS FURNACES**

MGC2SA 80+ Upflow/Horizontal Replacement Parts List.....	4
MGC2SA 80+ Upflow/Horizontal Component Location	5
MGC2SK 80+ Downflow Replacement Parts List.....	6
MGC2SK 80+ Downflow Component Location.....	7

***SC / *SL SERIES 92.1% CONDENSING GAS FURNACES**

MGC2SC 92.1% Upflow Replacement Parts List.....	8
MGC2SC 92.1% Upflow/Horizontal Component Location.....	9
MGC2SL 92.1% Downflow Replacement Parts List.....	10
MGC2SL 92.1% Downflow Component Location	11

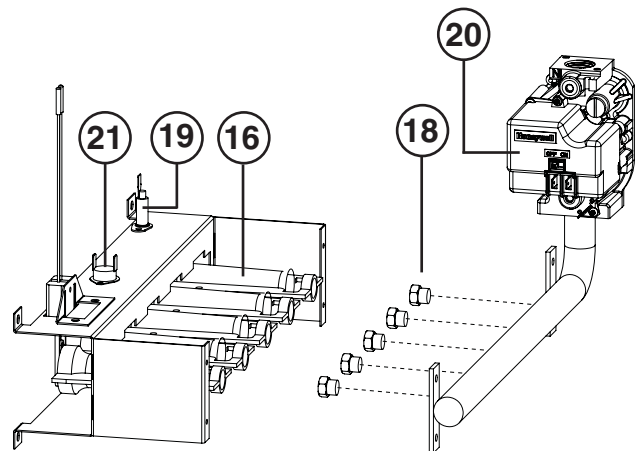
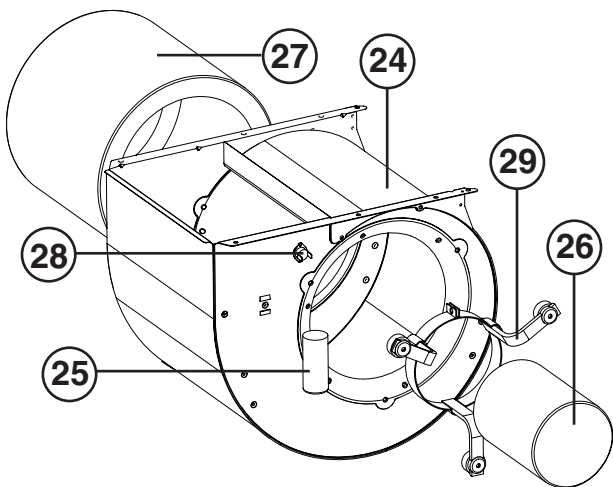
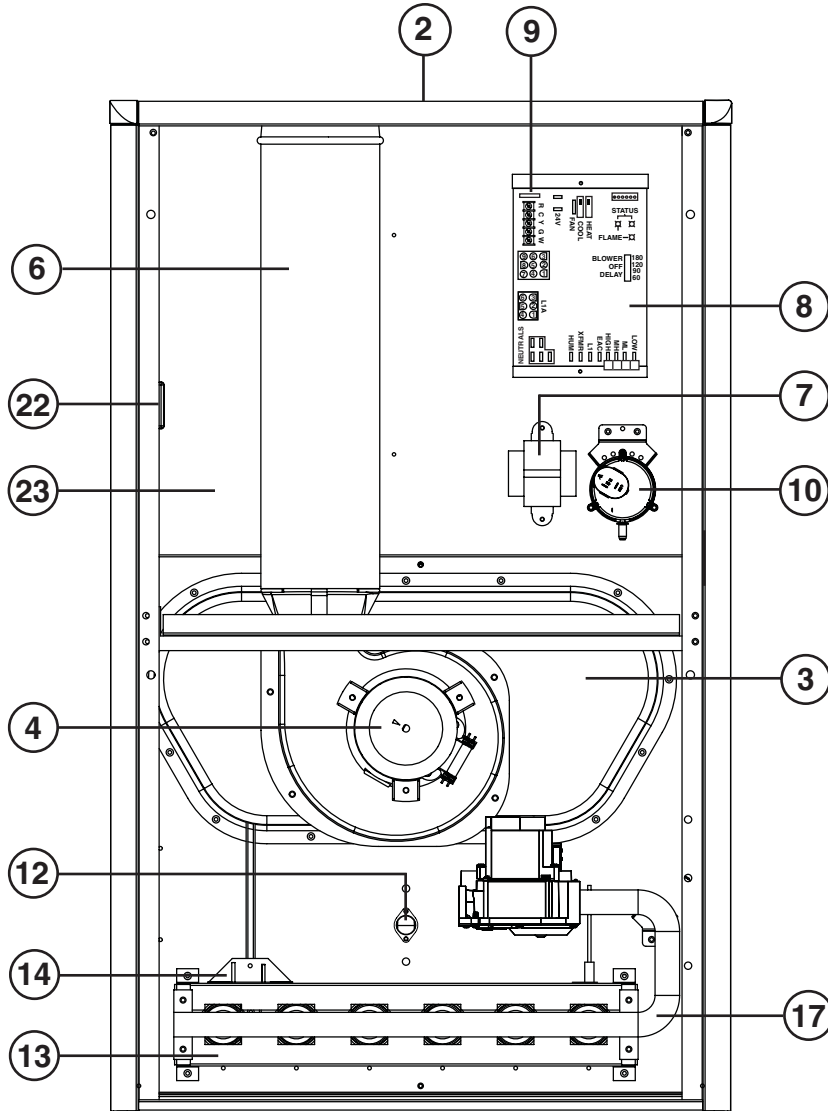
MGC2SA 80+ Upflow/Horizontal Replacement Parts List

ITEM	DESCRIPTION	045-23A	054-23A	072-24B	090-24B	072-35C	090-35C	108-35C	126-45D
1	Door Set (Not Shown)	904771	904771	904772	904772	904773	904773	904773	904774
2	Top Panel	295911	295911	295912	295912	295913	295913	295913	295914
3	Collector Pan with gasket	904805	904900	904806	904807	904808	904809	904810	904811
4	Inducer Motor	904796	904796	904796	904796	904796	904796	904796	904796
5	Inducer Gasket (Not Shown)	689988	689988	689988	689988	689988	689988	689988	689988
6	Transformer	622341	622341	622341	622341	622341	622341	622341	622341
7	Control Board	904840	904840	904840	904840	904840	904840	904840	904840
8	Fuse	632261	632261	632261	632261	632261	632261	632261	632261
9	Pressure Switch	632499	632489	632489	632489	632489	632489	632488	632520
10	Heat Exchanger (Not Shown)	904779	904779	904780	904781	904782	904783	904868	904785
11	Main Air Limit	626563	626563	626561	626562	626567	626562	626561	626566
12	Burner Assembly	904819	904820	904822	904824	904822	904824	904826	904828
13	Ignitor Assembly - Carbide	904919	904919	904919	904919	904919	904919	904919	904919
14	Igniter, Brkt, Carbide (Not Shown)	391721	391721	391721	391721	391721	391721	391721	391721
15	Inshot Burner	660921	660921	660921	660921	660921	660921	660921	660921
16	Manifold, Burner Tube	664228	664228	664229	664230	664229	664230	664231	664232
17	Orifice, Main Burner, Natural Gas	661049	661047	661047	661047	661047	661047	661047	661047
18	Flame Sensor	632484	632484	632484	632484	632484	632484	632484	632484
19	Gas Valve	624657	624657	624657	624657	624657	624657	624657	624657
20	Roll-Out Switch	626558	626560	626560	626560	626560	626559	626560	626560
21	Door Switch	632125	632125	632125	632125	632125	632125	632125	632125
22	Blower Assembly	904681	904681	904682	904682	904683	904683	904684	904684
23	Blower Housing Assembly	297200R	297200R	297207R	297207R	297204R	297204R	297209R	297209R
24	Capacitor	622133	622133	622133	622133	622135	622135	622135	622135
25	Motor, Blower	904857	904857	904858	904858	904859	904859	904860	904860
26	Wheel, Blower	667251	667251	667258	667258	667207	667207	667280	667280
27	Blower Limit	626541	626541	626541	626541	626541	626541	626541	626541
28	Repl. Motor Mount Kit	N/A	N/A	903489	903489	913871	913871	903489	903489
29	Hose, High Temp (Not Shown)	263967	263967	263967	263967	263967	263967	263967	263967
30	Set of Wires (Not Shown)	M0036001	M0036001	M0036001	M0036001	M0036005	M0036005	M0036005	M0036005

MGC2SK 80+ Downflow Replacement Parts List

ITEM	DESCRIPTION	054-23A	072-24B	090-24B	108-35C	126-45D
1	Door Set (Not Shown)	904771	904772	904772	904773	904774
2	Top Panel	295911	295912	295912	295913	295914
3	Collector Pan With Gasket	904901	904806	904807	904902	904811
4	Inducer Motor	904796	904796	904796	904796	904796
5	Inducer Gasket (No Shown)	689988	689988	689988	689988	689988
6	Combustion Tube	299291	299291	299291	299291	299291
7	Transformer	622341	622341	622341	622341	622341
8	Control Board	904840	904840	904840	904840	904840
9	Fuse	632261	632261	632261	632261	632261
10	Pressure Switch	632488	632489	632489	632488	632488
11	Heat Exchanger (Not Shown)	904779	904780	904781	904868	904785
12	Main Air Limit	626545	626563	626563	626564	626545
13	Burner Assembly	904820	904822	904824	904826	904828
14	Ignitor Assembly - Carbide	904919	904919	904919	904919	904919
15	Igniter, Brkt, Carbide (Not Shown)	391721	391721	391721	391721	391721
16	Inshot Burner	660921	660921	660921	660921	660921
17	Manifold, Burner Tube	664228	664229	664230	664231	664232
18	Orifice, Main Burner, Natural Gas	661047	661047	661047	661047	661047
19	Flame Sensor	632484	632484	632484	632484	632484
20	Gas Valve	624657	624657	624657	624657	624657
21	Roll-out Switch	626559	626559	626560	626559	626559
22	Door Switch	632125	632125	632125	632125	632125
23	Blower Assembly	904681	904683	904683	904684	904684
24	Blower Housing Assembly	297200R	297207R	297207R	297209R	294209R
25	Capacitor	622133	622133	622133	622135	622135
26	Motor, Blower	904857	904858	904858	904860	904860
27	Wheel, Blower	667251	667258	667258	667280	667280
28	Blower Limit	626541	626541	626541	626541	626541
29	Repl. Motor Mount Kit	N/A	903489	903489	903489	903489
30	Hose, High Temperature (Not Shown)	263967	263967	263967	263967	263967
31	Set of Wires (Not Shown)	M0036002	M0036002	M0036002	M0036006	M0036006

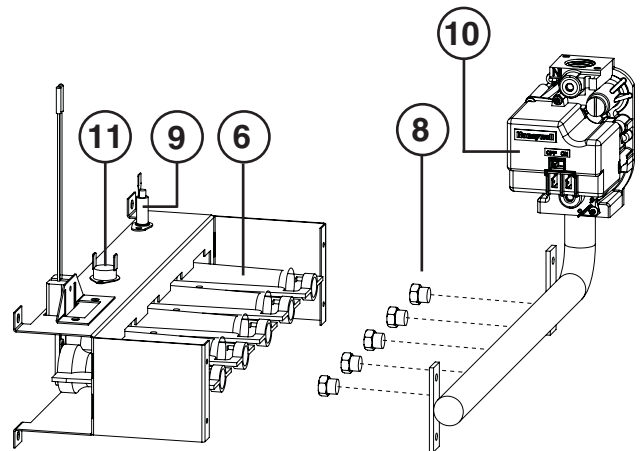
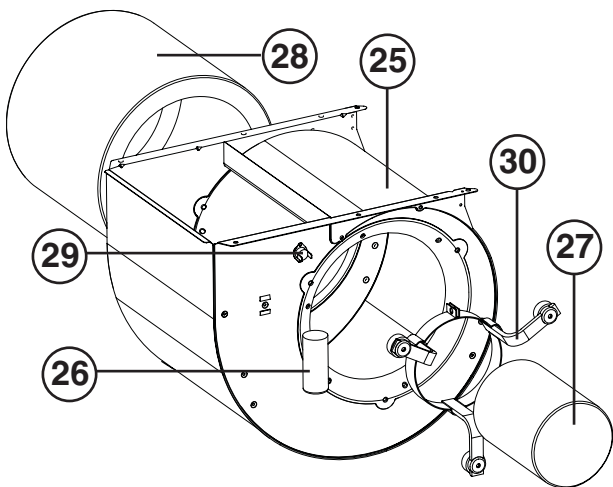
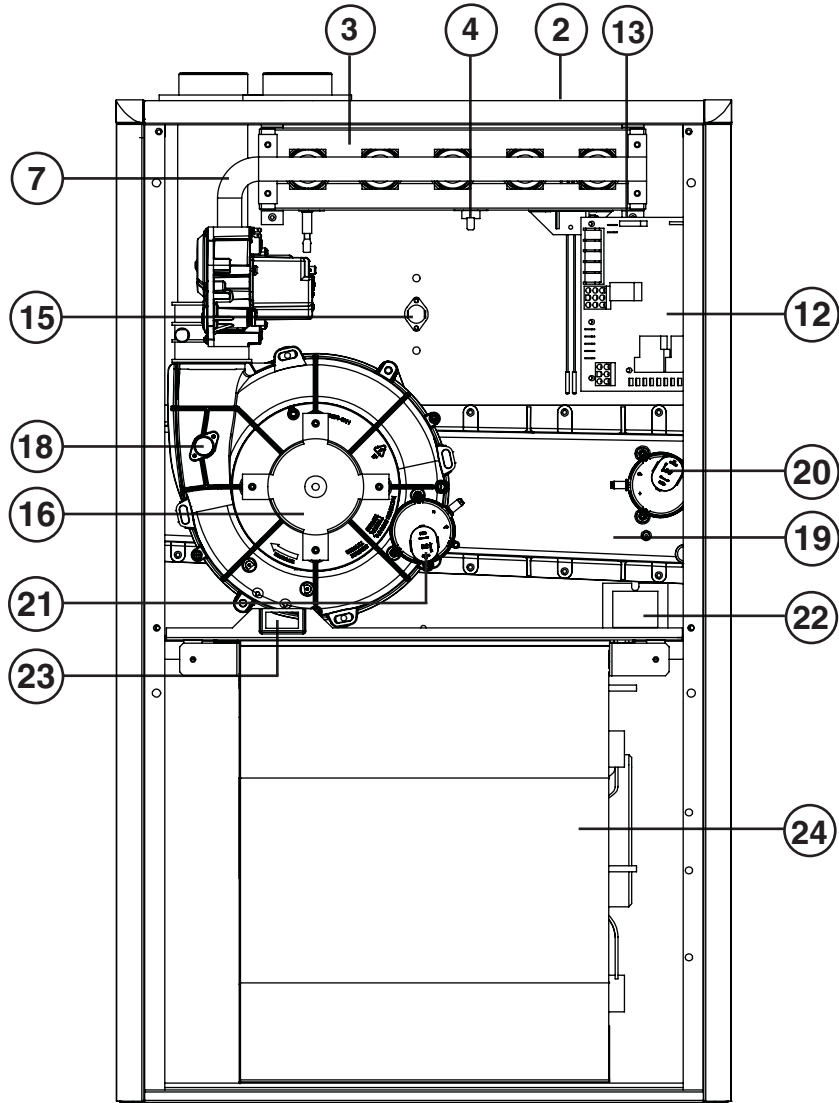
MGC2SK 80+ Downflow Component Location



MGC2SC 92.1% Upflow/Horizontal Replacement Parts List

ITEM	DESCRIPTION	038D-23A	054D-24B	072D-24B	072D-35C	090D-35C	108D-45D	120D-45D
1	Door Set (Not Shown)	904771	904772	904772	904773	904773	904774	904774
2	Top Panel	295931	295932	295932	295933	295933	295934	295934
3	Burner Assembly	904818	904821	904823	904823	904825	904827	904827
4	Ignitor Assembly - Carbide	904919	904919	904919	904919	904919	904919	904919
5	Igniter, Brkt, Carbide (Not Shown)	391721	391721	391721	391721	391721	391721	391721
6	Inshot Burner	660921	660921	660921	660921	660921	660921	660921
7	Manifold, Burner Tube	664237	664238	664239	664239	664240	664241	664241
8	Orifice, Main Burner, Natural Gas	661045	661047	661047	661047	661047	661047	661047
9	Flame Sensor	632484	632484	632484	632484	632484	632484	632484
10	Gas Valve	624657	624657	624657	624657	624657	624657	624657
11	Roll-Out Switch	626541	626558	626559	626559	626541	626559	626541
12	Control Board	904840	904840	904840	904840	904840	904840	904840
13	Fuse	632261	632261	632261	632261	632261	632261	632261
14	Heat Exchanger (Not Shown)	904786	904869	904788	904870	904871	904791	904791
15	Main Air Limit	626566	626563	626562	626563	626562	626545	626565
16	Inducer Motor	904798	904798	904798	904798	904798	904798	904798
17	Inducer Orifice (Not Shown)	669719	669712	669713	669715	669717	Not Used	Not Used
18	Inducer Limit	626557	626557	626557	626557	626557	626557	626557
19	Outlet Header Box	904801	904802	904802	904803	904803	904804	904804
20	Pressure Switch (condensate)	632532	632491	632491	632491	632491	632491	632491
21	Pressure Switch (inducer)	N/A	632492	632495	632493	632493	632493	632493
22	Transformer	622341	622341	622341	622341	622341	622341	622341
23	Door Switch	632125	632125	632125	632125	632125	632125	632125
24	Blower Assembly	904681	904682	904682	904683	904684	904684	904684
25	Blower Housing Assembly	297200R	294207R	297207R	297204R	297209R	297209R	297209R
26	Capacitor	622133	622133	622133	622135	622135	622135	622135
27	Motor, Blower	904857	904858	904858	904859	904860	904860	904860
28	Wheel, Blower	667251	667258	667258	667207	667280	667280	667280
29	Blower Limit	626541	626541	626541	626541	626541	626541	626541
30	Repl. Motor Mount Kit	N/A	903489	903489	913871	903489	903489	903489
31	In-Line Drain Assembly (Not Shown)	663891	663891	663891	663891	663891	663891	663891
32	Drain Tube, Soft, 14" (Not Shown)	664390	664390	664390	664390	664390	664390	664390
33	Drain Tube, Hard "J" (Not Shown)	663706	663706	663706	663706	663706	663706	663706
34	Drain Tube, Soft, "J" 30" (Not Shown)	663707	663707	663707	663707	663707	663707	663707
35	Tube, Soft, 6.6" (Not Shown)	663727	663727	663727	663727	663727	663727	663727
36	Hose, High Temperature (Not Shown)	263967	263967	263967	263967	263967	263967	263967
37	Set of Wires (Not Shown)	M0036009	M0036003	M0036003	M0036007	M0036007	M0036007	M0036007

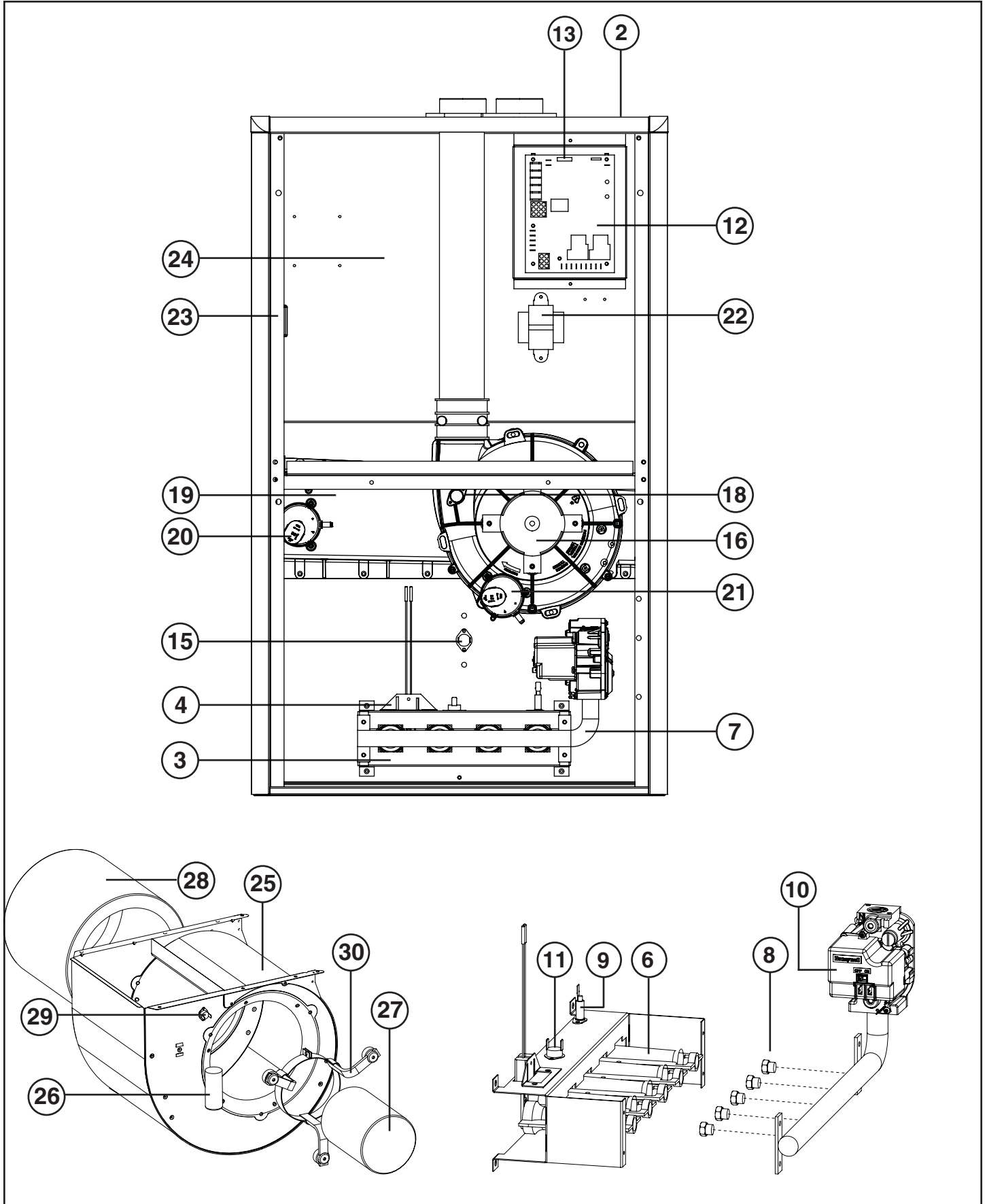
MGC2SC 92.1% Upflow/Horizontal Component Location



MGC2SL 92.1% Downflow Replacement Parts List

ITEM	DESCRIPTION	054D-24B	072D-24B	090D-35C	120D-45D
1	Door Set (Not Shown)	904772	904772	904773	904774
2	Top Panel	295942	295942	295943	295944
3	Burner Assembly	904821	904823	904825	904827
4	Ignitor Assembly - Carbide	904919	904919	904919	904919
5	Igniter, Brkt, Carbide (Not Shown)	391721	391721	391721	391721
6	Inshot Burner	660921	660921	660921	660921
7	Manifold, Burner Tube	664238	664239	664240	664241
8	Orifice, Main Burner, Natural Gas	661047	661047	661047	661047
9	Flame Sensor	632484	632484	632484	632484
10	Gas Valve	624657	624657	624657	624657
11	Roll-Out Switch	626558	626560	626560	626560
12	Control Board	904840	904840	904840	904840
13	Fuse	632261	632261	632261	632261
14	Heat Exchanger (Not Shown)	904869	904788	904871	904791
15	Main Air Limit	626566	626566	626562	626566
16	Inducer Motor	904798	904798	904798	904798
17	Inducer Orifice (Not Shown)	669712	669713	669714	Not Used
18	Inducer Limit	626557	626557	626557	626557
19	Outlet Header Box	904802	904802	904803	904804
20	Pressure Switch (condensate)	632491	632491	632491	632491
21	Pressure Switch (inducer)	632495	632487	632487	632487
22	Transformer	622341	622341	622341	622341
23	Door Switch	632125	632125	632125	632125
24	Blower Assembly	904682	904682	904683	904684
25	Blower Housing Assembly	297207R	297207R	297204R	297209R
26	Capacitor	622133	622133	622135	622135
27	Motor, Blower	904858	904858	904859	904860
28	Wheel, Blower	667258	667258	667207	667280
29	Blower Limit	626541	626541	626541	626541
30	Repl. Motor Mount Kit	903489	903489	913871	903489
31	In-Line Drain Assembly (Not Shown)	663891	663891	663891	663891
32	Drain Tube, Soft, 14" (Not Shown)	664390	664390	664390	664390
33	Drain Tube, Hard "J" (Not Shown)	663706	663706	663706	663706
34	Drain Tube, Soft, "J" 30" (Not Shown)	663707	663707	663707	663707
35	Tube, Soft, 6.6" (Not Shown)	663727	663727	663727	663727
36	Hose, High Temperature (Not Shown)	263967	263967	263967	263967
37	Set of Wires (Not Shown)	M0036004	M0036004	M0036008	M0036008

MGC2SL 92.1% Downflow Component Location



NORDYNE

O' Fallon, MO



708813A

708813A

Specifications and illustrations subject to change without notice
and without incurring obligations. Printed in U.S.A. (07/08)