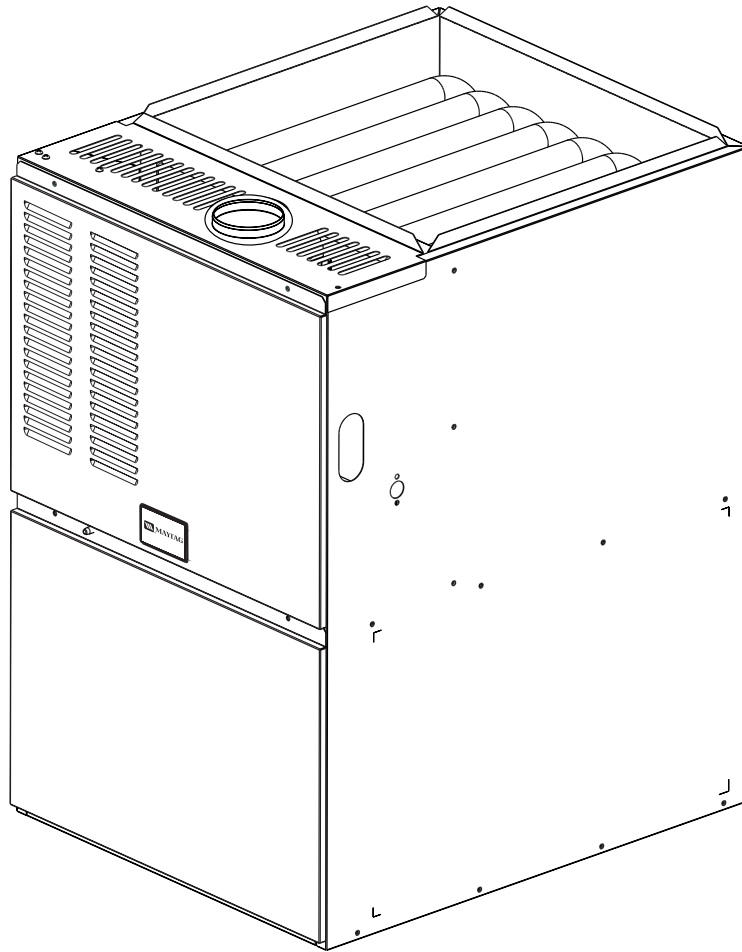




TECHNICAL SPECIFICATIONS

Model MGC1RA Series



M120 Product Line

**Upflow/Horizontal Gas Furnace
80+ AFUE**

- **12 YEAR ALL PARTS WARRANTY**
- **This product offers a 10-Year Dependability Promise to replace the unit if the heat exchanger fails within the first 10 years of operation, to the original owner.**
- **Product registration required for 12-year All Parts Warranty and Dependability Promise within a limited period of time after the installation. See current warranty document for details. This can be viewed at www.maytagvac.com or ask your sales representative.**
- **Also when registered, this furnace upgrades to a limited lifetime heat exchanger warranty.**



The upflow/horizontal gas furnace may be installed free standing in a utility room, basement, or enclosed in an alcove or closet. The extended flush jacket provides a pleasing “appliance appearance.” The product is truly designed with the contractor and the consumer in mind.

Features and Benefits

- **100% fired and tested** — All units and each component (both mechanical and electrical) are tested on the manufacturing line.
- **Best packaging in the industry** — Unique design assures product will arrive to the homeowner dent free.
- **Clean and quiet operation** — Due to the unique design of in-shot burners, location of inducer and use of insulation.
- **Fixed 30 second blower delay** at burner start-up assures a warm duct temperature at furnace start-up. Adjustable blower off settings (60, 120, 160 and 180 seconds).
- **Fixed 30-second post purge** increases life of heat exchanger.
- Dependable, hot surface igniter — Innovative application of an appliance type igniter with a 20-year history of reliability, assures no call-backs because of handling.
- **Color coded wire harness** — Designed to fit the components, all with quick-connect fittings for ease of service and replacement.
- **Approved for category I venting system** — May be common or dedicated vented for flexibility in installation.
- **Tubular primary heat exchanger** — Heavy gauge aluminized steel heat exchanger assures a long life.
- **SmartStart® Control Board** — provides extended life to igniters programmed to learn the heat-up characteristics of the igniter so the ignition timing is energized appropriately.
- **Fixed cooling cycle blower-off delay (TDR)** increases cooling performance when matched with a Maytag coil.
- **Furnace is easy to handle** — short and lightweight.
- **Fully insulated blower cabinet** for quiet operation.
- **Multi-speed direct drive blower** — Designed to give a wide range of cooling capacities. 40VA transformer included.
- **LP convertible** — Simple burner orifice and regulator spring change for ease of convertibility.
- **Diagnostic lights flash to identify limit failure, pressure switch failure, improper ground and polarization, and low flame signal** — for easy troubleshooting.
- **Two piece door design** enhances furnace appearance and uses screw fasteners for easier accessibility.
- **3 amp fuse** protection against low voltage shorts; protects transformer and control board.
- **Low voltage terminal board** for easy field wiring.

Front door screw fasteners ensure tight fit.

SmartStart® Control Board provides extended life to igniters in furnaces using hot surface ignition technology. Programmed to learn the heat-up characteristics of the igniter, then adapt the ignition timing appropriately.

Supply air limit.

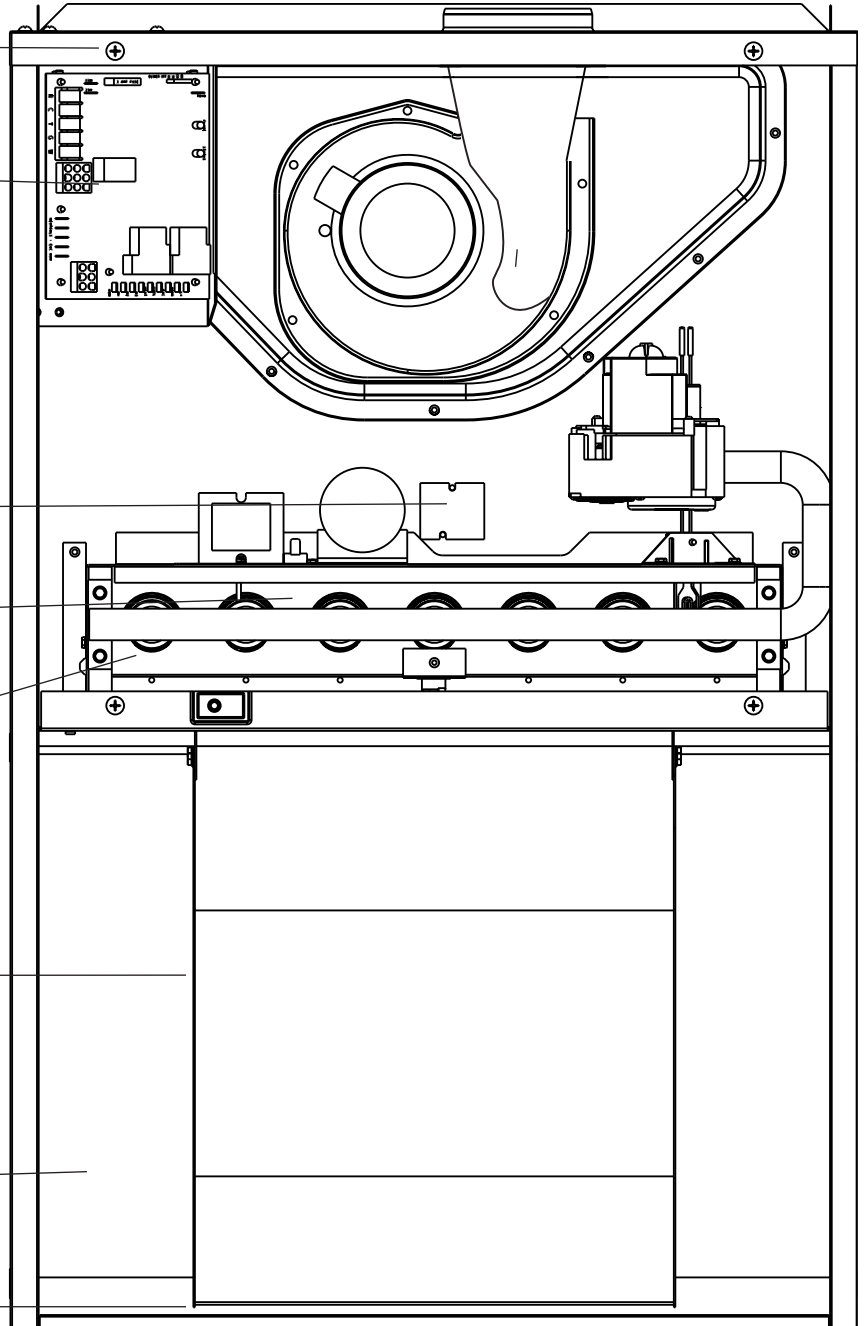
Remote flame sensor for proof of flame carry-over.

Aluminized steel in-shot burners, hot surface igniter and redundant gas valve provide safe, reliable ignition and efficient combustion.

Multi-speed PSC motor/blower provides quiet airflow, reliable operation, and is installed on a slide-out track.

Fully insulated blower compartment for quiet operation.

Solid bottom base plate for sturdy construction — with easily removed full bottom knock-out for bottom return applications.



STANDARD EQUIPMENT

Draft inducer; pressure switch; redundant main gas control; hot-surface ignition; timed ON/OFF blower controls (TDR) ; 40VA transformer for air conditioner application; limit controls; solid base plate with knock-out for easy removal; direct drive motor; all models can be converted to use L.P. (propane) gas. Factory approved kits *only* must be used and are available as an optional accessory from your distributor.

SPECIFICATIONS

| MGC1RA MODEL NUMBERS | 045(*)08A | 054(*)12A | 072(*)12A | 072(*)12B | 072(*)16B | 090(*)12B | 090(*)16B | 108(*)16B | 108(*)20C | 126(*)20C |
|-----------------------------------|------------|------------|------------|------------|------------|------------|------------|------------|------------|------------|
| Input-Btuh (a) | 45,000 | 54,000 | 72,000 | 72,000 | 72,000 | 90,000 | 90,000 | 108,000 | 108,000 | 126,000 |
| Heating Capacity - Btuh | 36,000 | 43,000 | 58,000 | 58,000 | 58,000 | 72,000 | 72,000 | 86,000 | 86,000 | 101,000 |
| AFUE | 80+ | 80+ | 80+ | 80+ | 80+ | 80+ | 80+ | 80+ | 80+ | 80+ |
| Max. Htg. Ext. St. Press. In W.C. | .5 | .5 | .5 | .5 | .5 | .5 | .5 | .5 | .5 | .5 |
| Blower Wheel D x W | 10 x 6 | 10 x 6 | 10 x 6 | 9 x 9 | 10 x 10 | 9 x 9 | 10 x 10 | 11 x 10 | 11 x 10 | 11 x 10 |
| Motor H.P. -Speed -Type | 1/5-2-PSC | 1/3-3-PSC | 1/3-3-PSC | 1/4-3-PSC | 1/2-4-PSC | 1/4-3-PSC | 1/2-4-PSC | 1/2-2-PSC | 3/4-4-PSC | 3/4-4-PSC |
| Motor FLA | 4.0 | 6.0 | 6.0 | 6.0 | 8.8 | 6.0 | 8.8 | 8.8 | 10.1 | 10.1 |
| Temperature Rise Range - °F | 40 - 70 | 40 - 70 | 40 - 70 | 40 - 70 | 40 - 70 | 40 - 70 | 40 - 70 | 40 - 70 | 40 - 70 | 40 - 70 |

*Can be C or N.

All models are 115 V, 60 Hz. Gas connections are 1/2" N.P.T.

AFUE = Annual Fuel Utilization Efficiency.

(a) Ratings to 2,000 feet. Over 2,000 feet, reduce 4% for each 1,000 ft. above sea level.

VENTING

All models may be common vented with a gas water heater. Type B gas vent materials may be used when connected to a vertical vent system. The installation must be in accordance with the venting instructions supplied with the furnace.

ACCESSORIES

| High Efficiency with Honeywell VR Gas Valve | |
|--|--|
| Kit | Order Number |
| U.S. LP Conversion Kit (0 to 10,000 ft.) | 904090A |
| Canadian LP Gas Conversion Kit (0 to 4,500 ft.) | 904091A |
| External Side Return Filter Frame | 541036 |
| Bottom Return Filter 20/Box | A Cabinet 903088 B Cabinet 903089 C Cabinet 903090 |
| Internal Side Return Filter Retainers 10/Box | 903152 |
| High Altitude Pressure Switch Kit (5,001 to 10,000 ft.) | 903853 |
| "A" Cabinet Variable Speed Kit | 904231 |
| "B/C" Cabinet Variable Speed Kit | 904075 |
| Chimney Friendly Kit | 904202 |

BLOWER PERFORMANCE

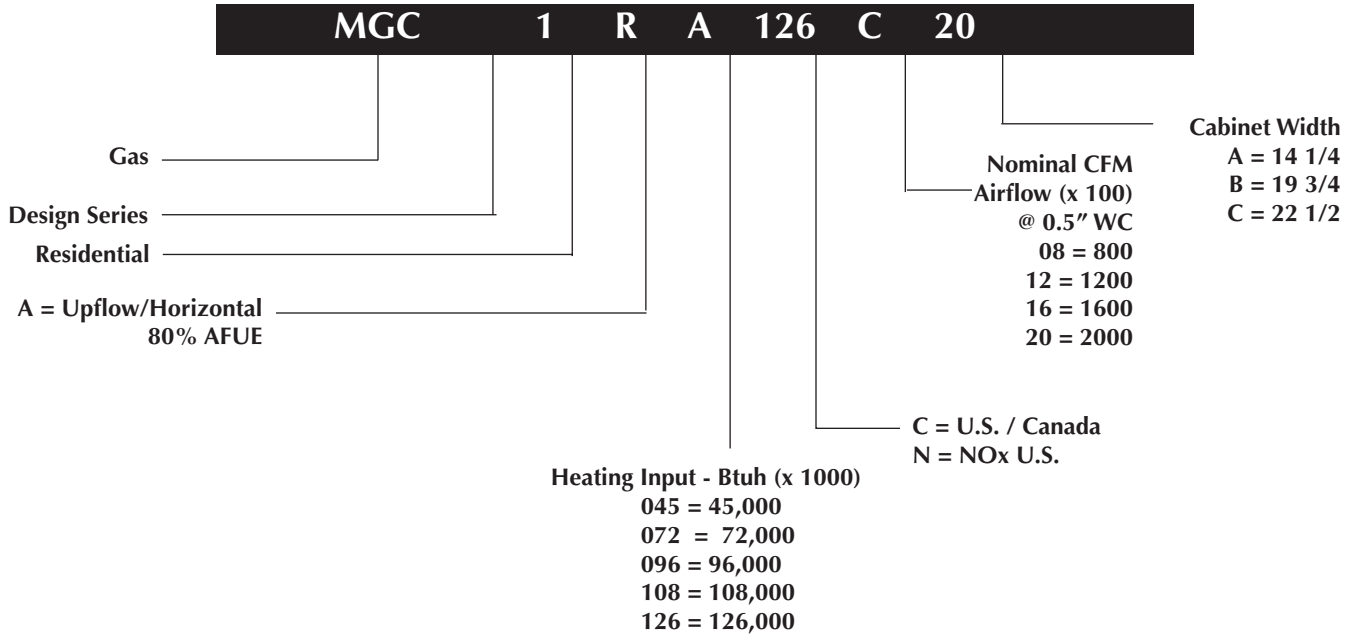
| MODEL NUMBER MGCTRA | HEATING INPUT | MOTOR SPEED | MOTOR HP | EXTERNAL STATIC PRESSURE (INCHES OF WATER COLUMN) | | | | | | | | | | | | | | | |
|------------------------|---------------|--|----------|---|------|------|------|------|------|------|------|------|------|------|------|------|------|------|------|
| | | | | 0.1 | | 0.2 | | 0.3 | | 0.4 | | 0.5 | | 0.6 | | 0.7 | | 0.8 | |
| | | | | CFM | Rise | CFM | Rise | CFM | Rise | CFM | Rise | CFM | Rise | CFM | Rise | CFM | Rise | CFM | Rise |
| 045-08A | 40,000 | HIGH* LOW** | 1/5 | 1000 | 33 | 970 | 34 | 950 | 35 | 920 | 36 | 870 | 38 | 820 | 41 | 770 | 43 | 700 | 47 |
| | | | | 760 | 43 | 740 | 44 | 730 | 45 | 720 | 46 | 690 | 48 | 670 | 49 | 640 | 52 | 620 | 53 |
| 054-12A | 54,000 | HIGH* MEDIUM LOW** | 1/3 | 1300 | 31 | 1260 | 32 | 1210 | 33 | 1160 | 34 | 1110 | 35 | 1050 | 38 | 980 | 40 | 910 | 44 |
| | | | | 1150 | 34 | 1120 | 35 | 1090 | 36 | 1050 | 38 | 1000 | 40 | 950 | 42 | 890 | 44 | 830 | 48 |
| 072-12A | 72,000 | HIGH* MEDIUM LOW** | 1/3 | 1380 | 38 | 1350 | 39 | 1310 | 40 | 1260 | 42 | 1210 | 44 | 1150 | 46 | 1080 | 49 | 1000 | 53 |
| | | | | 1220 | 43 | 1190 | 44 | 1160 | 45 | 1120 | 47 | 1070 | 49 | 1020 | 52 | 950 | 55 | 880 | 60 |
| 072-12B | 72,000 | HIGH* MEDIUM LOW** | 1/4 | 1550 | 34 | 1500 | 35 | 1440 | 37 | 1360 | 40 | 1280 | 42 | 1190 | 45 | 1080 | 49 | 970 | 55 |
| | | | | 1380 | 41 | 1310 | 41 | 1240 | 44 | 1200 | 44 | 1140 | 47 | 1090 | 49 | 970 | 55 | 870 | 61 |
| 072-16B | 72,000 | HIGH* MED-HIGH* MED-LOW** LOW | 1/2 | 1550 | 26 | 1495 | 27 | 1440 | 27 | 1380 | 28 | 1320 | 29 | 1260 | 30 | 1200 | 31 | 1140 | 33 |
| | | | | 1370 | 40 | 1365 | 40 | 1350 | 40 | 1340 | 41 | 1305 | 42 | 1270 | 43 | 1230 | 44 | 1190 | 46 |
| 090-12B | 90,000 | HIGH* MEDIUM LOW** | 1/4 | 1550 | 42 | 1500 | 44 | 1440 | 46 | 1360 | 48 | 1280 | 51 | 1190 | 55 | 1080 | 61 | 970 | 68 |
| | | | | 1380 | 52 | 1310 | 55 | 1240 | 58 | 1200 | 55 | 1140 | 58 | 1090 | 64 | 970 | 68 | 870 | 76 |
| 090-16B | 90,000 | HIGH* MED-HIGH** MED-LOW LOW | 1/2 | 1985 | 33 | 1955 | 34 | 1905 | 35 | 1855 | 36 | 1790 | 37 | 1705 | 40 | 1630 | 41 | 1530 | 44 |
| | | | | 1635 | 41 | 1640 | 41 | 1610 | 42 | 1575 | 42 | 1545 | 43 | 1490 | 45 | 1430 | 47 | 1350 | 49 |
| 090-20B | 90,000 | HIGH* MED-HIGH MED-LOW LOW** | 3/4 | 2375 | 28 | 2320 | 29 | 2280 | 30 | 2215 | 30 | 2150 | 31 | 2085 | 32 | 2015 | 33 | 1940 | 34 |
| | | | | 1640 | 40 | 1615 | 41 | 1595 | 41 | 1575 | 42 | 1540 | 43 | 1500 | 44 | 1460 | 46 | 1400 | 48 |
| 108-16B | 108,000 | HIGH* MED-HIGH** MED-LOW LOW | 1/2 | 1985 | 40 | 1955 | 41 | 1905 | 42 | 1855 | 43 | 1790 | 45 | 1705 | 47 | 1630 | 49 | 1530 | 52 |
| | | | | 1635 | 49 | 1640 | 49 | 1610 | 50 | 1575 | 51 | 1545 | 52 | 1490 | 54 | 1430 | 56 | 1350 | 59 |
| 108-20B | 108,000 | HIGH* MED-HIGH MED-LOW LOW** | 3/4 | 2410 | 32 | 2370 | 33 | 2330 | 34 | 2275 | 35 | 2230 | 36 | 2165 | 37 | 2075 | 38 | 1990 | 40 |
| | | | | 2035 | 39 | 1995 | 40 | 1965 | 41 | 1955 | 41 | 1915 | 42 | 1895 | 42 | 1815 | 44 | 1790 | 45 |
| 108-20C | 108,000 | HIGH* MED-HIGH** MED-LOW LOW | 3/4 | 2270 | 35 | 2210 | 36 | 2190 | 36 | 2165 | 37 | 2130 | 38 | 2100 | 39 | 2030 | 40 | 1975 | 41 |
| | | | | 1880 | 42 | 1865 | 43 | 1835 | 43 | 1815 | 44 | 1790 | 45 | 1770 | 45 | 1755 | 46 | 1720 | 47 |
| 126-20C | 126,000 | HIGH* MED-HIGH** MED-LOW LOW | 3/4 | 2270 | 40 | 2210 | 41 | 2190 | 42 | 2165 | 43 | 2130 | 44 | 2100 | 45 | 2030 | 46 | 1975 | 47 |
| | | | | 1880 | 49 | 1865 | 50 | 1835 | 51 | 1815 | 51 | 1790 | 52 | 1770 | 52 | 1755 | 53 | 1720 | 54 |

- * Factory Set Cooling Speed
- ** Factory Set Heating Speed
- Not Recommended

Notes:

1. Airflow rates of 1800 CFM or more require two return air connections. Data is for operation with filter(s).
2. Temperature rises in the table are approximate. Actual temperature rises may vary.
3. Temperature rises and airflows for external static pressures greater than 0.5 are for reference only. These conditions are not recommended.

IDENTIFICATION CODE



We Encourage Professionalism
Through Technician Certification by NATE



Before purchasing this appliance, read important energy cost and efficiency information available from your retailer. Specifications and illustrations subject to change without notice and without incurring obligations.

Maytag is a registered trademark of the Maytag Corporation and is used under license.

327B-0607 (Replaces 327B-0207)

Printed in U.S.A. (06/07)