



ZERO CLEARANCE DIRECT VENT SEE THROUGH GAS FIREPLACE



G E M I N I

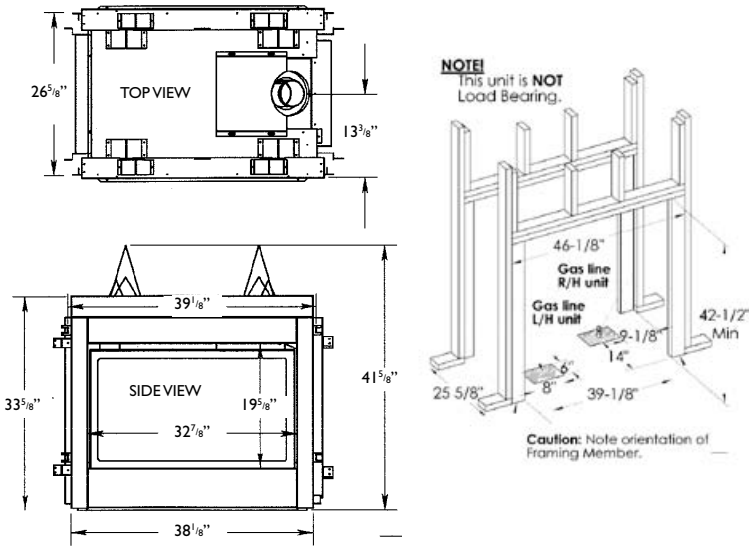
 marquis
COLLECTION by Kingsman

EVOLUTIONARY STYLE. REVOLUTIONARY FLEXIBILITY.

Unit illustrated is a MDVL3IN Multi-sided direct vent gas fireplace – natural gas, with M30SK See through kit, MQROCKI Contemporary Rock Collection, MQRSP7 Rock Support Platform, Z36CVCK Designer Clean View Circulating Kit (x2), and MQ36SWFBL Flatt Wall Surround – Black.

DESIGNER CLEAN VIEW SEE-THROUGH UNITS

Consult Manual for Framing Instructions

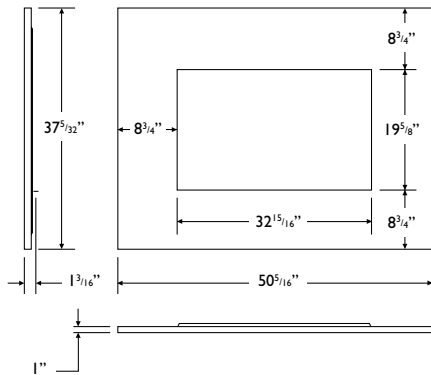


Model	MDVL31N	MDVL31LP
	MDVR31N	MDVR31LP
Fuel	natural	propane
Input Max.	30,000 BTU	30,000 BTU
Input Min.	22,500 BTU	25,000 BTU
FE (P.4.1-02)	57.7%	54.7%



Unit illustrated is a MDVL31N Multi-sided direct vent gas fireplace – natural gas, with M30SK See through kit, MQROCK1 Contemporary Rock Collection, MQRSP7 Rock Support Platform and Z36CVCK Designer Clean View Circulating Kit (x2).

MQSW36 Flatt Wall Surround Dimensions (inches)



STANDARD FEATURES

- > Hi/low Millivolt valve with variable adjustment of flame and BTU.
- > A flame sensor that constantly monitors the pilot flame and provides 100% gas shut off if pilot is not sensed.
- > A triple burner for use with our contemporary rock collection or log set.

OPTIONAL FEATURES

- Designer Clean View Circulating Kit – No Louvers Required.
- Overlay Doors – Deluxe, Top Half, Double Arch and Double Door
- Designer Doors – Arch or Straight Black Doors with Antique, Polished or Chrome Trims
- Fan Kit – Heat activated with variable speed control
- Brick Refractory Liners – End Panel
- Thermostat – Wall Mount Millivolt Thermostat or Programmable Thermostat
- Remote Control – On/Off, Thermostat, Thermostat/Modulating or Thermostat/Modulating Fan
- Child Safety Screen
- Wall Surrounds – Flatt with Black or Pewter finishes
- Wall Surrounds Accents
 - > Keystone – Brushed Chrome or Black
 - > Designer Band Accents – 4 x Black (sml), 2 x Chrome (lrg)
 - > Designer Corner Accents – 4 x Black



Kingsman Fireplaces maintains a program of continuous testing refinement and improvements of all its products. Some aspect of units shown here may be changed at any time without notice or obligation.
 Certification: The models are certified for USA and Canada.
 Certified to: ANSI Z21.50-2002/CSA 2.22-2002, CSA P4.1-02 as a Vented Gas Fireplace.



2340 Logan Avenue
 Winnipeg, Manitoba, Canada R2R 2V3
 Phone: 204.632.1962 Fax: 204.632.1960
www.marquisfireplaces.net

marquis
 COLLECTION by Kingsman