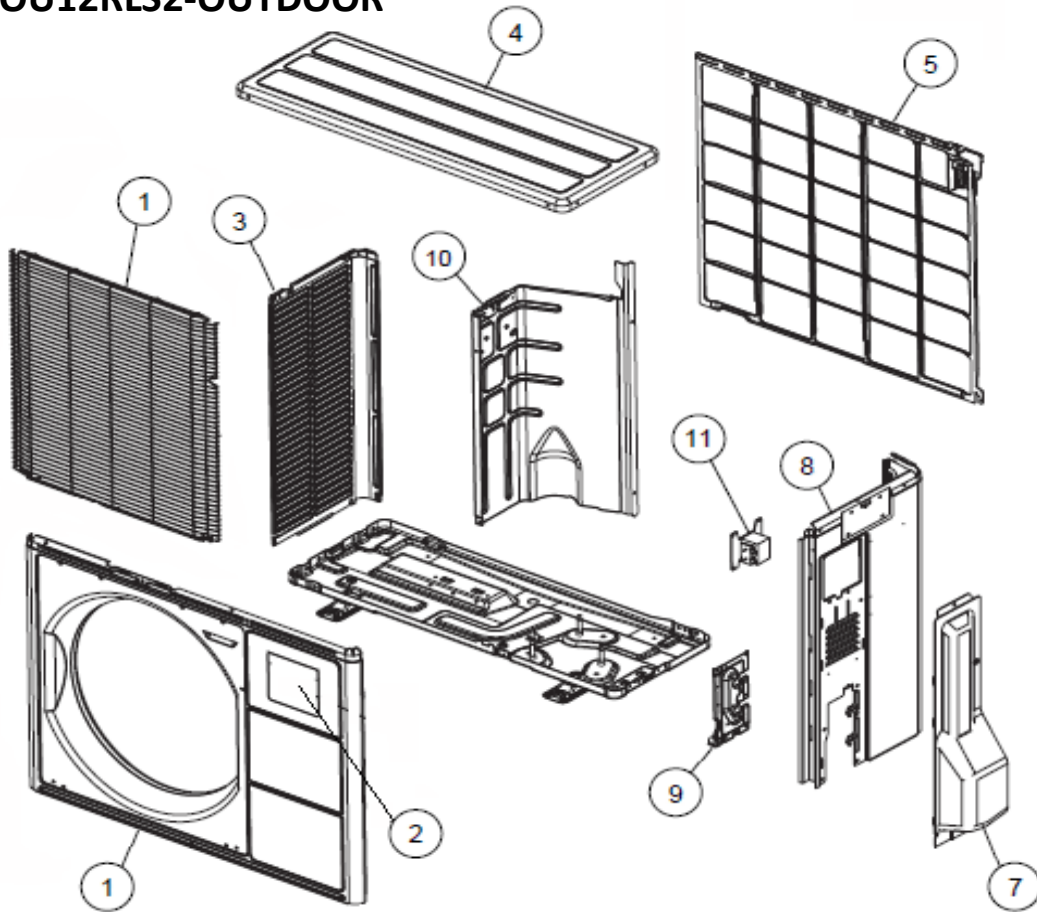
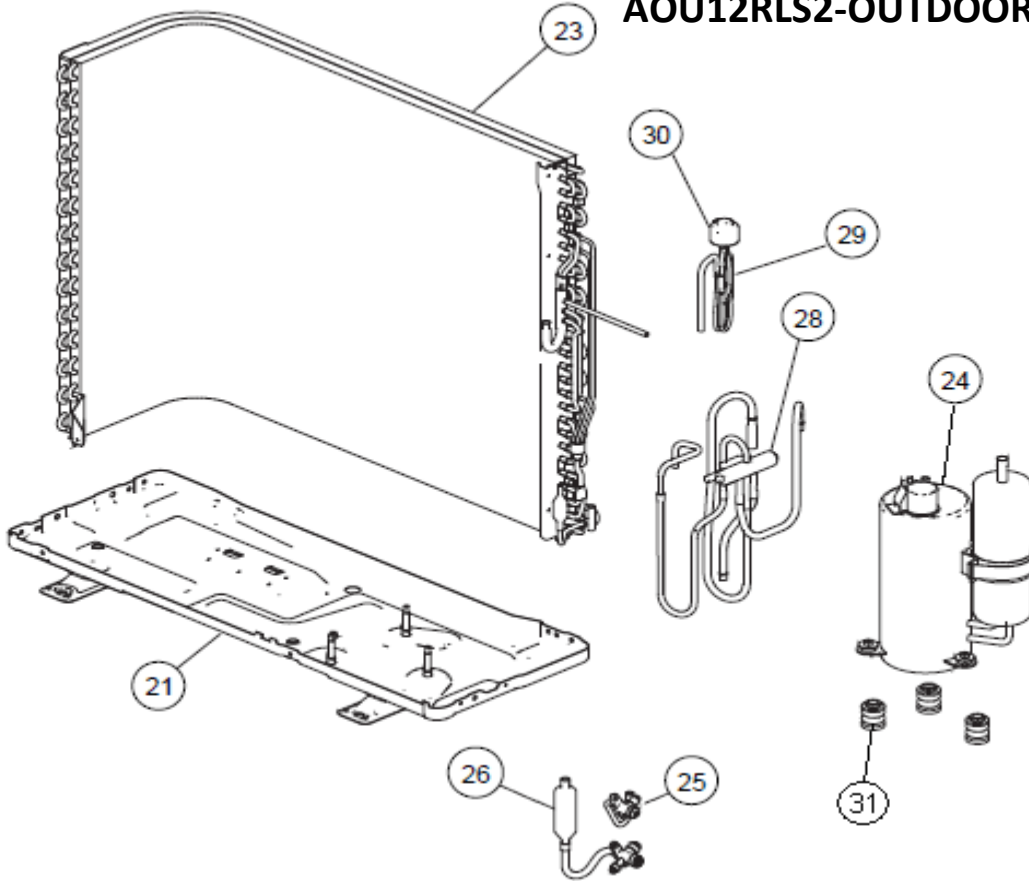


AOU12RLS2-OUTDOOR



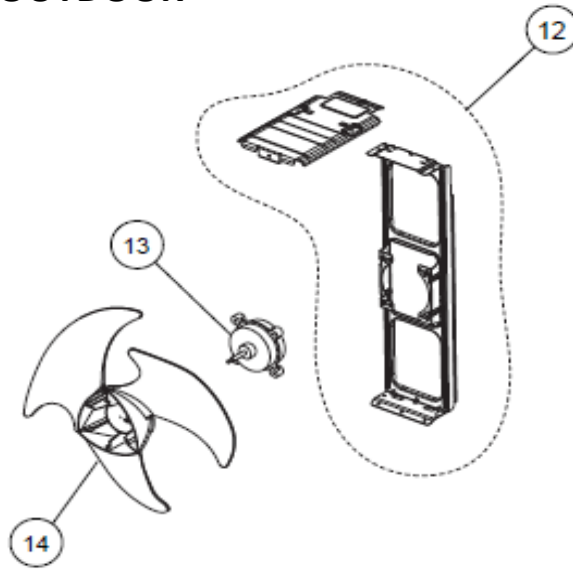
Bubble #	Item #	Description
1	K9318463026	FRONT PANEL ASSY RLS CL1 DW W/GRILL
2	K9317903011	EMBLEM 410i RAC-HFI FUJITSU
3	K9318461015	CABINET LEFT ASSY RLS2 AOYG12LTCN
4	K9318464023	TOP PANEL 15RLS DW PAINTED
5	K9331640008	PROTECTIVE NET RLS DW PP
7	K9317692021	SWITCH COVER RLS CL1 FLAME RETARDANT PP
8	K9316044050	CABINET RIGHT RLS CL1 DW
9	K9331649001	BRACKET VALVE RR2 SGCC-Z-CF-X Z18 T1.2
10	K9331722018	SEPARATOR RLS DW METAL
11	K9900611019	REACTOR ASSY 12RLF 10A 15MH TAB DPC AL
A	K9303029022	DRAIN PIPE L-TYPE 410 ALL# WITH GASKET

AOU12RLS2-OUTDOOR



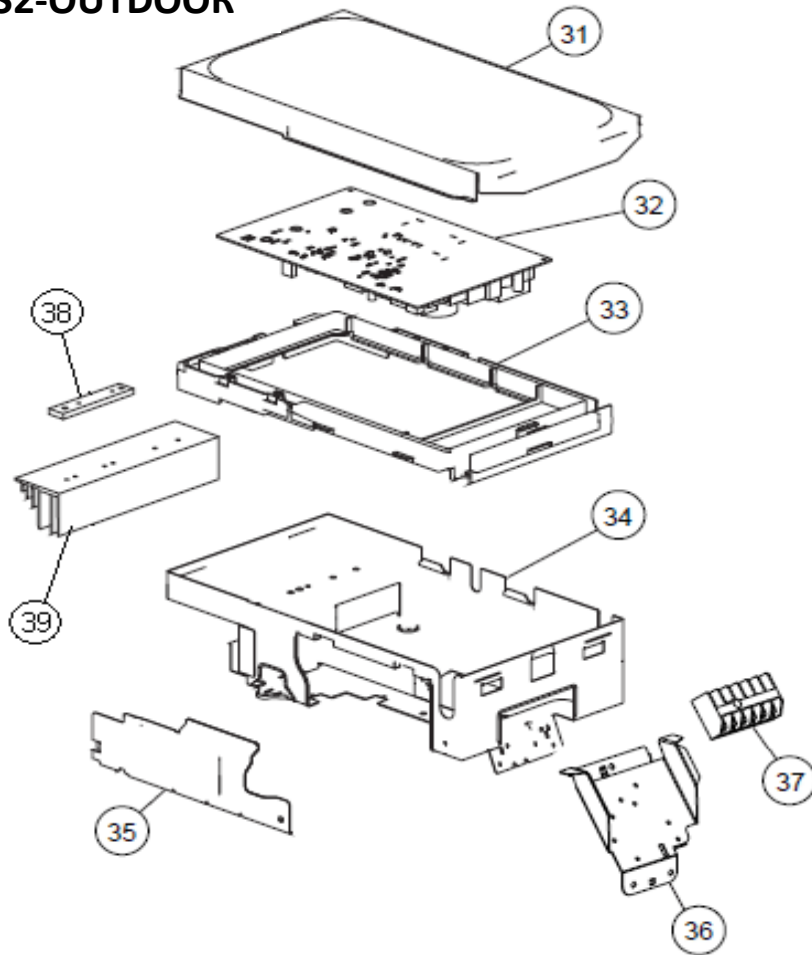
Bubble #	Item #	Description
21	K9316885028	BASE ASSY RAC1+ HFI DW PAINTED
23	K9317089135	CONDENSER TA DW AOU9/12RLS2 AOUG12LTC
24	K9317117005	COMPRESSOR ASSY RLS DW 808-884-80
25	K9332371000	VALVE 2 WAY ASSY 12RLF# DUNAN FJ-424-DG4
26	K9317109000	VALVE 3 WAY ASSY 12RLFW# W/MUFFLER AO-E40T
28	K9317110020	VALVE 4 WAY ASSY 9/12RLS2 AOYG12LTCN
29	K9332368000	PULSE MOTOR VALVE ASSY 12RLF#
30	K9970095016	COIL EXPANSION VALVE# CAM-MD12KG-303 L=700
31	K9306410001	CUSHION RUBBER 410i RAC- CR BLACK
A	K9970110047	SOLENOID AOU9/12RLS2 SQ-A2522G-001339-RK L=300

AOU12RLS2-OUTDOOR



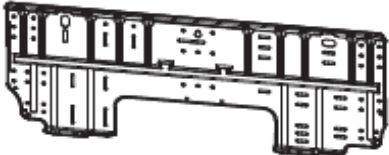











Bubble #	Item #	Description
12	K9316041011	MOTOR BRACKET RLS CL1 DW AO-Z28S
13	K9602724017	MOTOR DC BRUSHLESS RLS# MFE-71TVAL FGLS DC380V 9P 115W
14	K9313808013	PROPELLER FAN RLS# DW D415 AS-GF

AOU12RLS2-OUTDOOR

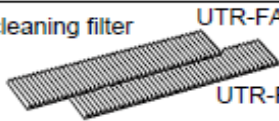



Bubble #	Item #	Description
31	K9309913011	COVER CASE 410 RAC- VALVE COVER
32	K9708753218	CONTROLLER PCB ASSY AOU12RLS2 K10CT-1108HUE-C1
33	K9313074029	HOLDER PCB 410 RAC-# PLASTIC FRAME BLACK
34	K9315690043	CASE INVERTER RLS METAL V218
35	K9314507014	COVER (TERMINAL) 410i RAC- SGGCC-Z-C-X Z18 T0.4
38	K9314090011	HEAT SINK B HFI- A6063S JIS H4100 SMALL
39	K9314410017	HEAT SINK A HFI-RLS A6063S JIS H4100 LARGE

ACCESSORIES

<p>Bracket panel</p> 	
<p>Remote control</p> 	
<p>Remote control holder</p> 	
<p>Cloth tape</p> 	
<p>Tapping screw (big) (φ 4 x 25)</p> 	
<p>Tapping screw (small) (φ 3 x 12)</p> 	

OPTIONAL

Name and Shape	Part number
<p>Air cleaning filter</p>  <p style="text-align: right;">UTR-FA16 UTR-FA16-2</p>	

Bubble #	Item #	Description
1	K9318913002	BRACKET PANEL DW RLS2 SGCC-Z-CF-X Z18 T2.5
2	K9319634005	REMOTE CONTROL ASU9~15RLS2 AR-REC1U
3	K9318912005	REMOTE HOLDER ASU9~15RLS2 ABS 10N08 WHITE
4	K9308117007	CLOTH TAPE 410A
5	K0700076046	SCREW TAPPING (BIG) SCREW MOUNTING BRACKET 04X20
6	K0700019036	SCREW TAPPING (SMALL) SCREW REMOTE HOLDER 03X12
7	K9317250009	AIR FILTER ASSY HFI RLS2 UTR-FA16 + UTR-FA16-2