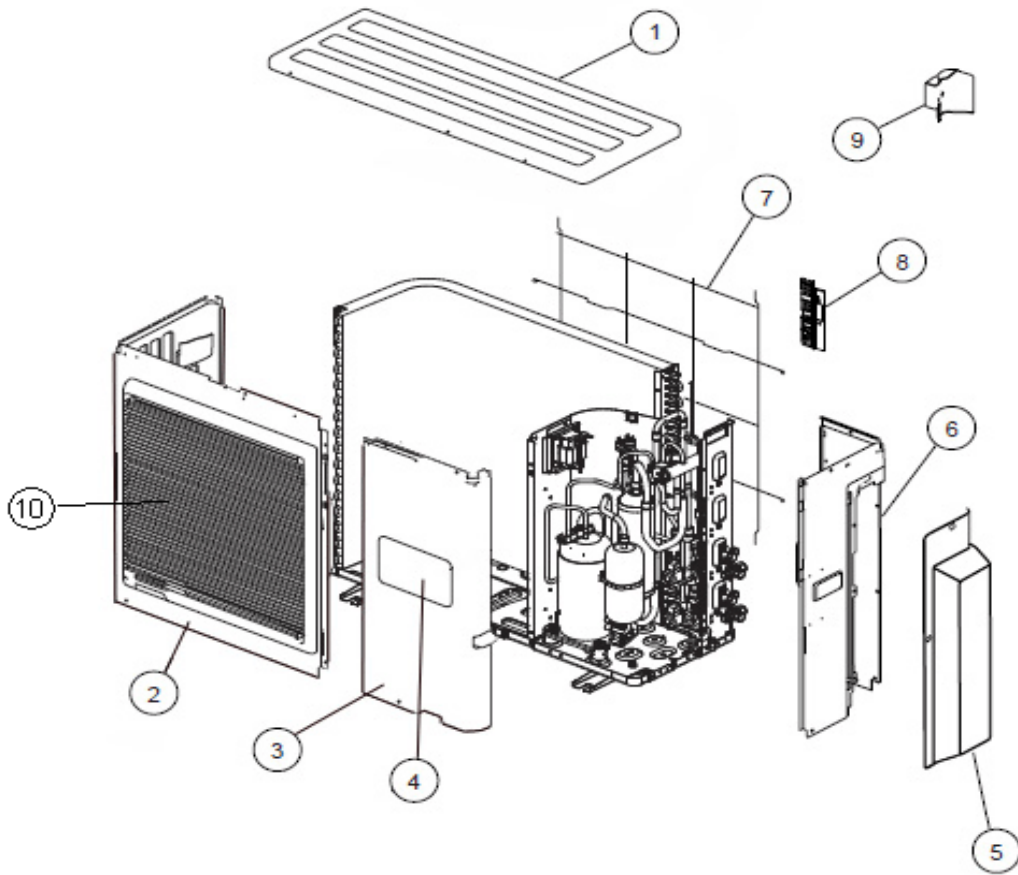
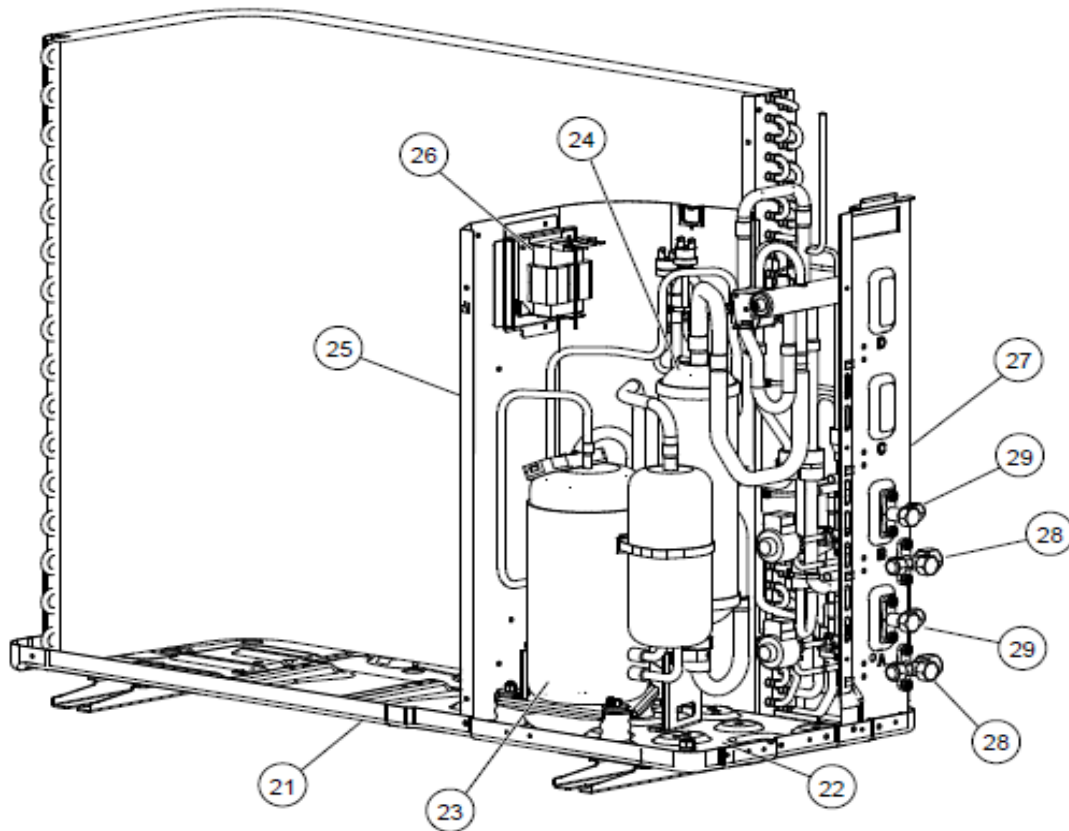


## AOU18RLXFZ - CABINETRY



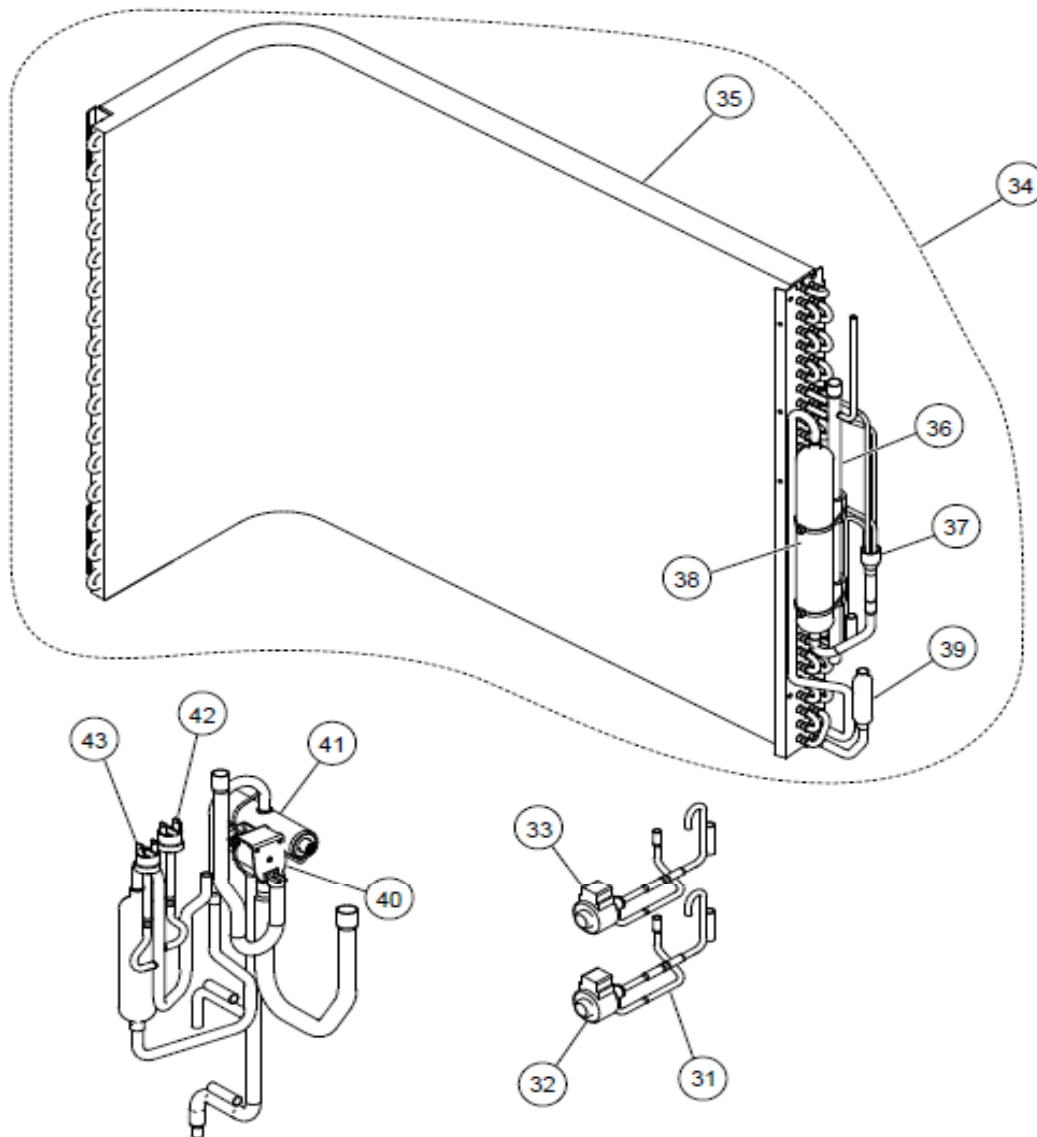
Bubble #	Part #	Description
1	K9374417049	TOP PANEL SUB ASSY HFI#
2	K9374414123	FRONT PANEL ASSEMBLY HFI W/FAN GUARD
3	K9374415045	SERVICE PANEL HFI#
4	K9351355005	EMBLEM REAR RPAC/RLXS 'FUJITSU'
5	K9374827015	VALVE COVER SUB ASSY 410PAC+#
6	K9374416172	RIGHT PANEL HFI# METAL PAINTED
7	K9375381028	PROTECTIVE NET HFI# SWM-B
8	K9375211011	THERMO HOLDER RPAC HFI# PP BEIGE
9	K9375222017	WATER SEAL PLATE 18/24RLXFZ PP(1YR05 BEIGE)
10	K9380332008	FAN GUARD HFI# SWM-B METAL PAINTED
A	K313166024302	DRAIN CAP RPAC+HFI# RUBBER
B	K9303029022	DRAIN PIPE L-TYPE 410 ALL# WITH GASKET Replaces: K9301102000,K9303029015
C	K9375174026	CONDUIT PLATE AOU**RLXFZ METAL PAINTED

## AOU18RLXFZ - COMPRESSOR ASSY



Bubble #	Part #	Description
21	K9375304102	BASE SUB ASSY HFI 1-COMP 15F ACCUM Replaces: K9374166305
22	K9375221058	COMPRESSOR PLATE AOU24RLXFZ PATTERN-A 3-M8X49 ACCUM COMPRESSOR ASSY CL1 HFI# DA150A1F-20NA Replaces:
23	K9375710019	K9374423187,K9315297044,K9315297037
24	K9375250027	ACCUMULATOR ASSY AOU18RLXFZ# BRAZING RB48
25	K9374413164	SEPARATE WALL HFI# METAL
26	K9900366018	COIL CHOKE 410 RPAC+ # TTFFG05401 30A 0.32MH
27	K9374628124	VALVE PLATE A PAC+HFI PAINTED BEIGE
28	K9375103019	VALVE 3 WAY PAC HFI# 3/8'
29	K9375102012	VALVE 2 WAY PAC+HFI# WITH CAP/FLARE NUT

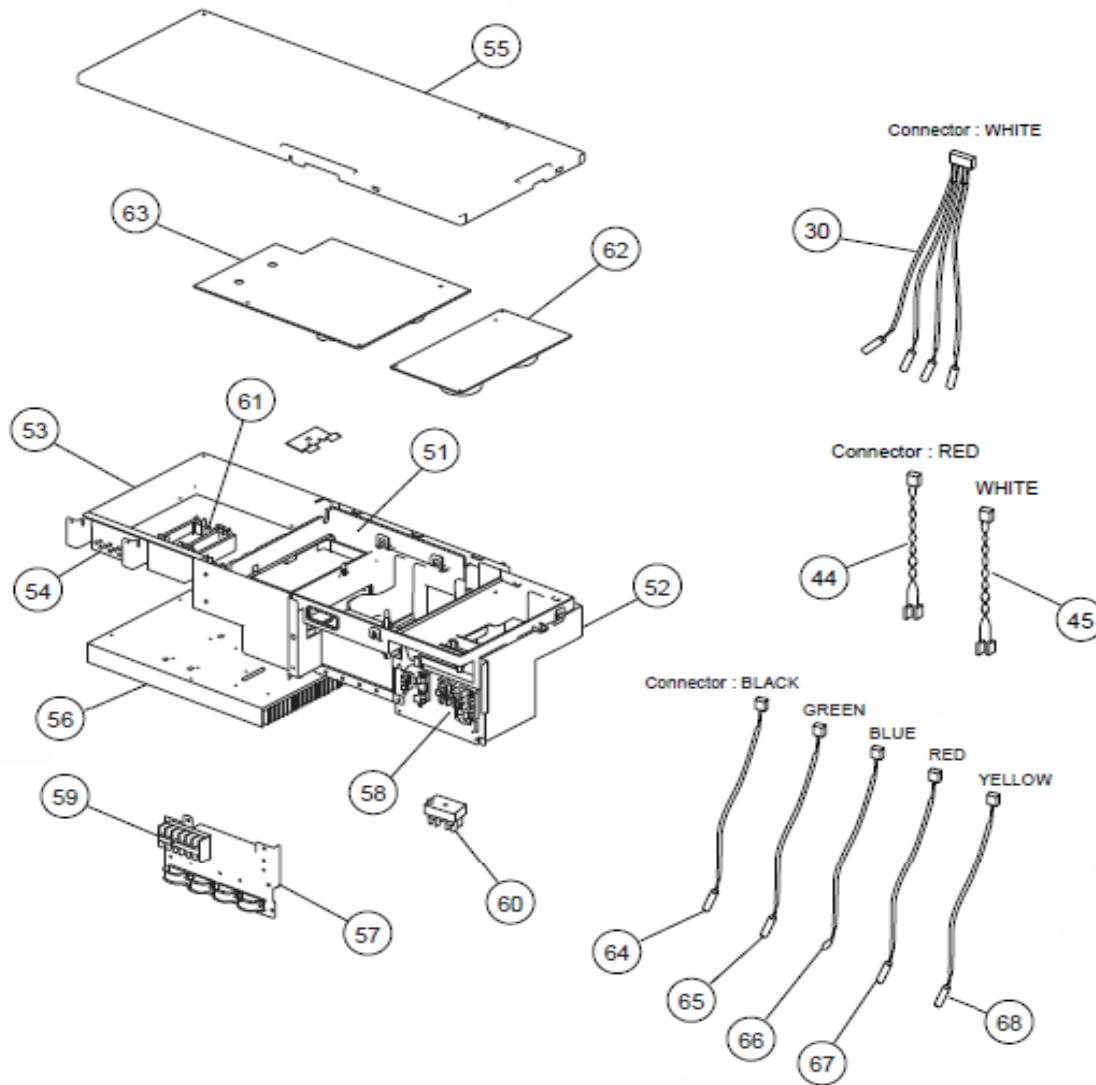
## AOU18RLXFZ - CONDENSER ASSY



Bubble #	Part #	Description
31	K9370947151	EXPANSION VALVE 36RML1# WSL BRAZING Replaced by: K9378321014
32	K9970101069	COIL EXPANSION VALVE A=RED# CAM-MD12KG-406 L=1000 Replaces: K9900057084
33	K9970101038	COIL EXPANSION VALVE B WHITE# CAM-MD12KG-403 L=700 Replaces: K9900057053
34	K9374420223	CONDENSER TA 18RLXFZ Replaces: K9374433179
35	K9374433179	CONDENSER A ASSY 18/24HFI 2*32 1.45 COR BLU WIDE D7 Replaced by: K9374420223
36	K9373461104	INLET PIPE (COND) A ASSY HFI BRAZING
37	K9374266111	OUTLET PIPE (COND) A ASSY HFI BRAZING
38	K9374575039	RECEIVER TANK ASSY HFI BRAZING

39	K9372524015	STRAINER RAC+RLXS# C1220TS-H OD19.05 T1.0
40	K9900165079	SOLENOID RAC+ HFI SQ-513
41	K9374425136	VALVE 4 WAY ASSY 24RLXFZ# DW W/PIPES 19'x11'x7'
42	K9900186012	PRESSURE SW A (1) Hi RPAC+XLS ACB-4TB12
43	K9900341015	PRESSURE SW B (2) RPAC+XLS ACB-4TB13 Replaces: K9900312015

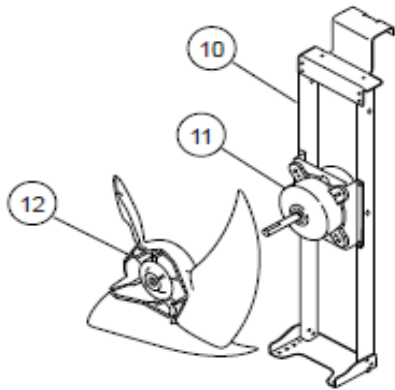
## AOU18RLXFZ - ELECTRICAL ASSY



Bubble #	Part #	Description
30	K9900543020	THERMISTOR VALVE PIPE PAC HFI DTN-FTZ131Y WHITE Replaces: K9900373030
44	K9377823014	WIRE(PR SW) HFI UL1430 AWG20 RED
45	K9377823021	WIRE(PR SW) HFI UL1430 AWG20 WHITE
51	K9374603015	INVERTER BOX A RPAC+
52	K9374625048	INVERTER BOX B ASSY AOU24RLXFZ
53	K9375140014	INVERTER BOX C RPAC+ NA11SGCC-Z-CF-X Z22 T0.7
54	K9374609017	INVERTER BOX DUCT RPAC+ SGCC Z-C-X Z22 T0.7
55	K9375139018	INVERTER BOX COVER AOU24RML SGCC-Z-CF-X Z22 T0.6
56	K9375138011	HEAT SINK A NA11 410PAC+ A6063SMF T10
57	K9374606047	INVERTER BOX D AOU24RLXFZ SGCC-Z-CF-X Z22 T0.7
58	K9900203016	TERMINAL 3P 410PAC+ HP-T3061-3-3P
59	K9900016036	TERMINAL 6P 410PAC+ HP-T3036

60	K9900433017	TERMINAL 3P 410PAC+ HP-T4005-31
61	K9703457012	ACTPM 410i RPAC+HFI# SACT32010F1
62	K9705647183	POWER FILTER PCB 18/24HFI# K04BA-1001HUE-P0
63	K9708013336	INVERTER CONTROL PCB 18RLXFZ# K08BH-1000HUE-C1
64	K9900311018	HEATSINK THERMISTOR BLACK KTM-34I-F11-1
65	K9900156053	THERMISTOR COMPRESSOR HFI PTM-51G-AFG2-*2 GREEN THERMISTOR OUT RAC+HFI DTN-C103H4C-FTZ120B BLACK Replaces:
66	K9900477011	K9900378028
67	K9900540005	THERMISTOR HEAT EXCH PAC+HFI DTN-C492H3T-FTZ124B RED Replaces: K9900374020
68	K9704219039	THERMISTOR DISCHARGE HFI PTM-51G-F3-2 Replaces: K9900621018

## AOU18RLXFZ - FAN ASSY



Bubble #	Part #	Description
10	K9374418060	MOTOR BRACKET ASSY HFI# METAL
11	K9602843015	MOTOR DC BRUSHLESS RLXS HFI# MFE-60TVT FGA DC380V 100W 8P
12	K9366378020	PROPELLER FAN HFI# DW 440-L2BID 12