

SPLIT TYPE
ROOM AIR CONDITIONER
WALL MOUNTED TYPE

SERVICE MANUAL

Indoor unit	Outdoor unit
ASU24CL1	AOU24CL1



CONTENTS

SPECIFICATIONS.....	1
DIMENSIONS.....	2
REFRIGERANT SYSTEM DIAGRAM.....	3
CIRCUIT DIAGRAM.....	4
INDOOR PCB CIRCUIT DIAGRAM.....	5
OUTDOOR PCB CIRCUIT DIAGRAM.....	8
ERROR DETECTION.....	10
PARTS (indoor unit).....	12
PARTS (outdoor unit).....	16
ACCESSORIES.....	19

SPECIFICATIONS

ELECTRICAL DATA

INDOOR UNIT	ASU24CL1
OUTDOOR UNIT	AOU24CL1
COOLING CAPACITY	24,000 BTU, 7.03 kW
POWER SOURCE	208 / 230 V
FREQUENCY	60 Hz
RUNNING CURRENT	10.5 A
INPUT WATTS	2.4 kW
E.E.R.	10.0 BTU/hW, 2.93 kW/kW
MOISTURE REMOVAL	6.3 Pt/h, 3.0 L/hr
AIR CIRCULATION HIGH	659 cfm, 1,120 m ³ /hr
MAXIMUM CURRENT	11.5 A

FAN MOTOR

POWER SOURCE	230 V	
INDOOR UNIT	High	1,480 r.p.m.
	Medium	1,220 r.p.m.
	Low	1020 r.p.m.
	Quiet	900 r.p.m.
OUTDOOR UNIT	1,100 r.p.m.	

NOISE LEVEL

INDOOR UNIT	High	48 dB
	Medium	42 dB
	Low	37 dB
	Quiet	33 dB
OUTDOOR UNIT	56 dB	

COMPRESSOR AND REFRIGERANT

TYPE	Hermetic type, 4 pole, DC inverter motor, Scroll	
DISCRIMINATION	DA150A1F-20NA	
WEIGHT (with oil)	22 lbs, 10.0 kg	
REFRIGERANT TYPE	R410A	
PRECHARGED REFRIGERANT	2 lbs 14 oz, 1,300 g	
FULL CHARGE	Pipe length 49 ft, 15 m	2 lbs 14 oz, 1,300 g
	66 ft, 20 m	3 lbs 1 oz, 1,400 g
	82 ft, 25 m	3 lbs 5 oz, 1,500 g
	98 ft, 30 m	3 lbs 8 oz, 1,600 g
ADDITIONAL CHARGE	0.21 oz/ft, 20 g/m	
MAXIMUM HEIGHT DIFFERENCE	66 ft, 20 m	

DIMENSIONS

INDOOR UNIT	H x W x D	12-5/8 x 39-1/4 x 9 inch 320 x 998 x 228 mm
OUTDOOR UNIT	H x W x D	24-13/32 x 31-3/32 x 11-13/32 inch, 620 x 790 x 290 mm

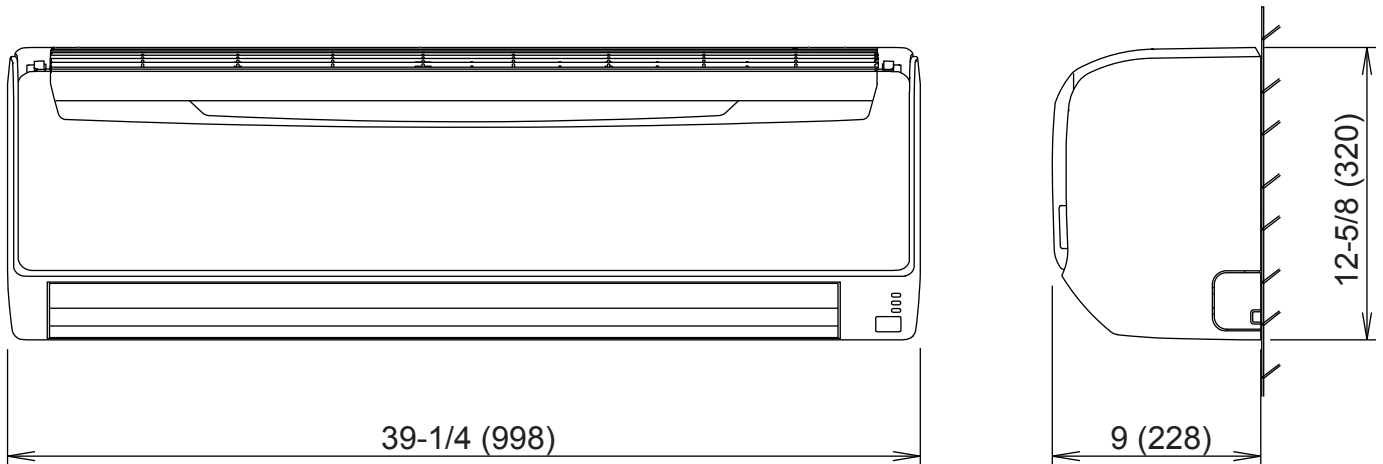
WEIGHT

INDOOR UNIT	Shipping / Net	40 lbs / 31 lbs 18 kg / 14 kg
OUTDOOR UNIT	Shipping / Net	97 lbs / 88 lbs 44 kg / 40 kg

DIMENSIONS

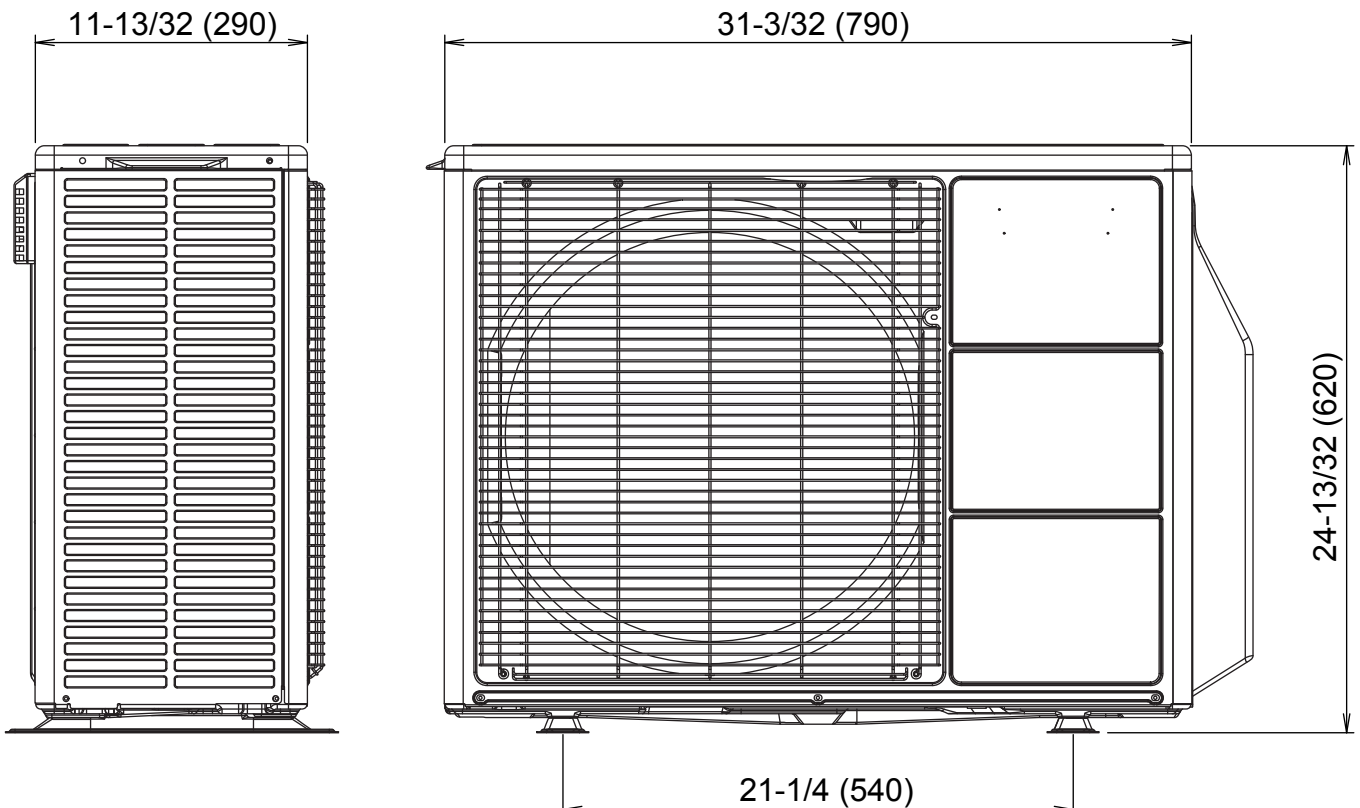
Unit : inch (mm)

INDOOR UNIT

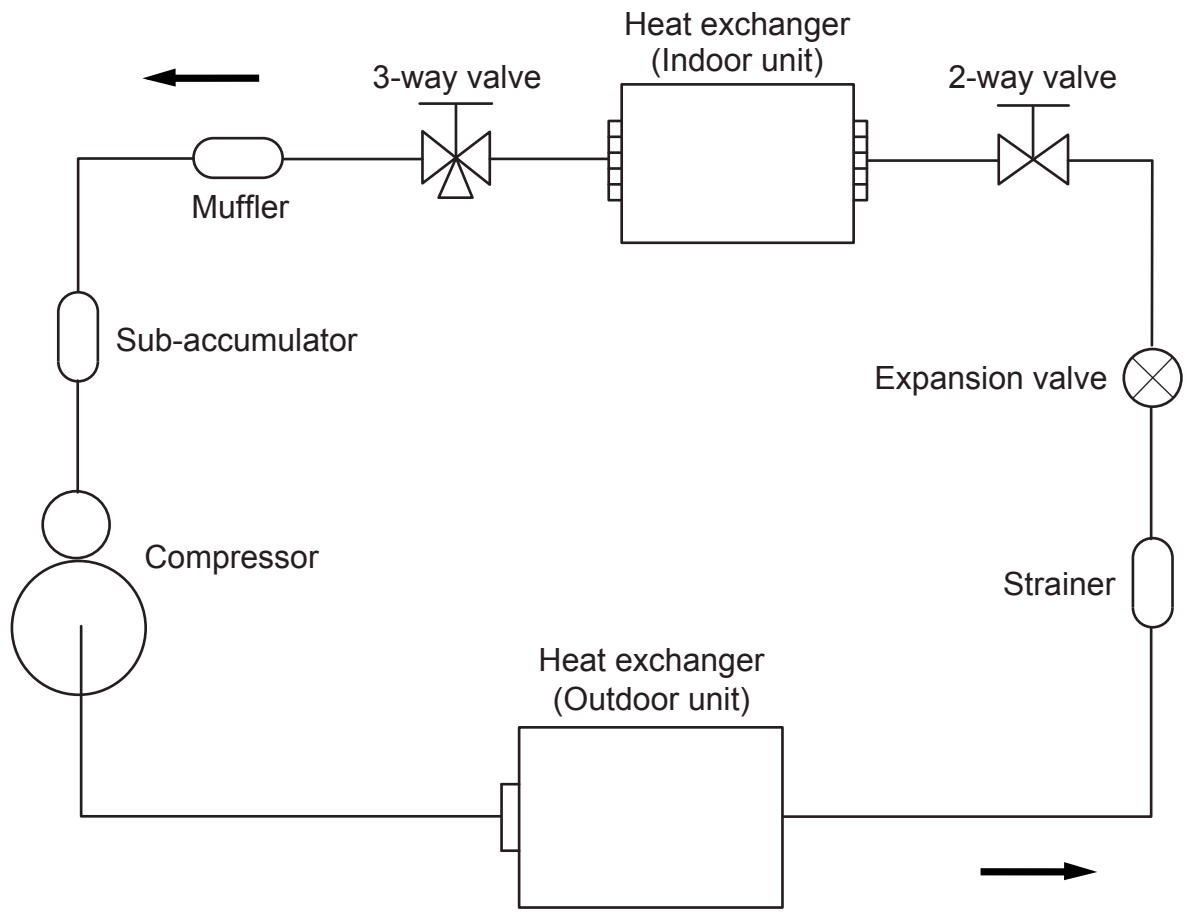


Drain hose length : 26-3/8 inch (670 mm)

OUTDOOR UNIT



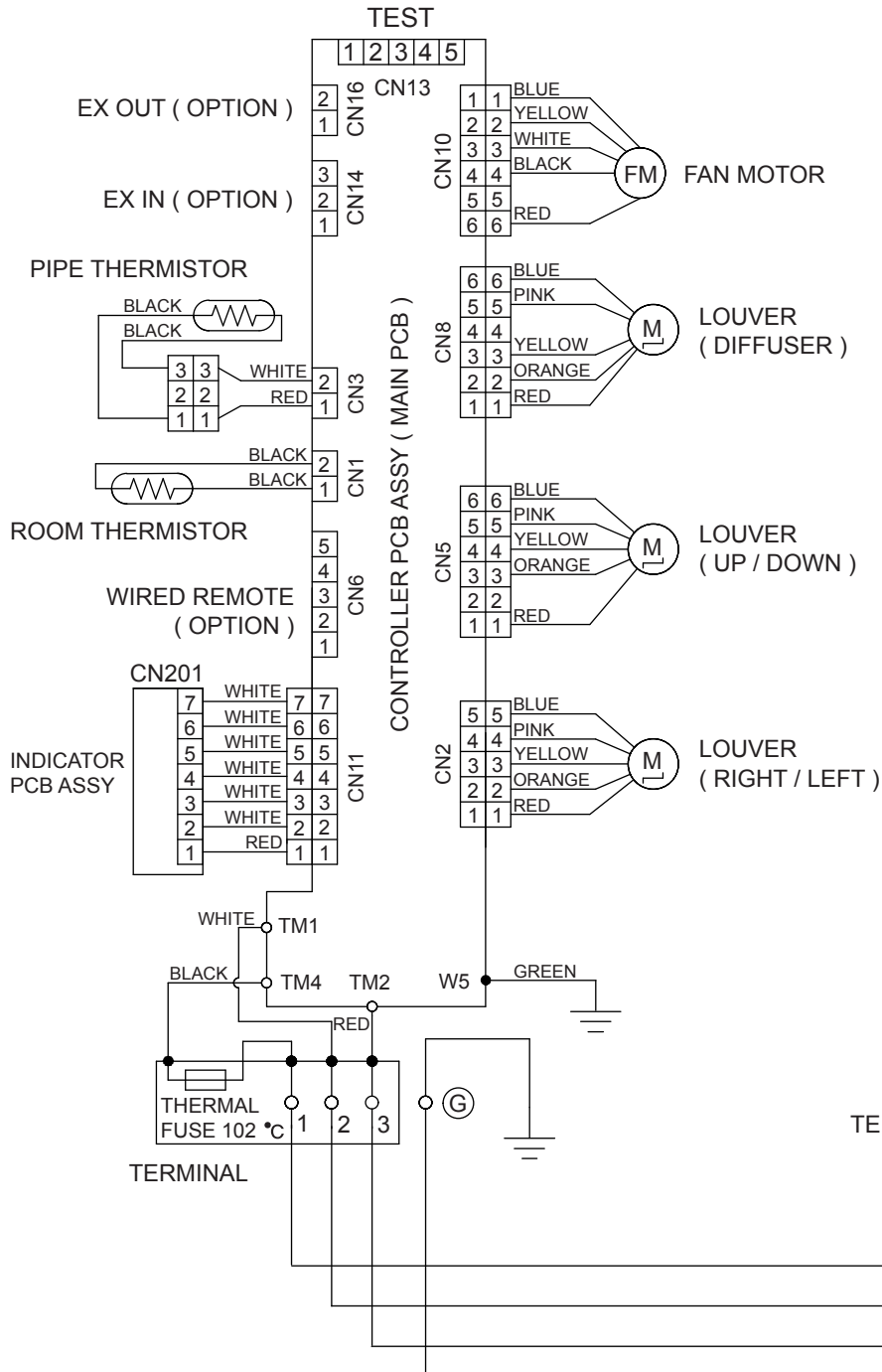
REFRIGERANT SYSTEM DIAGRAM



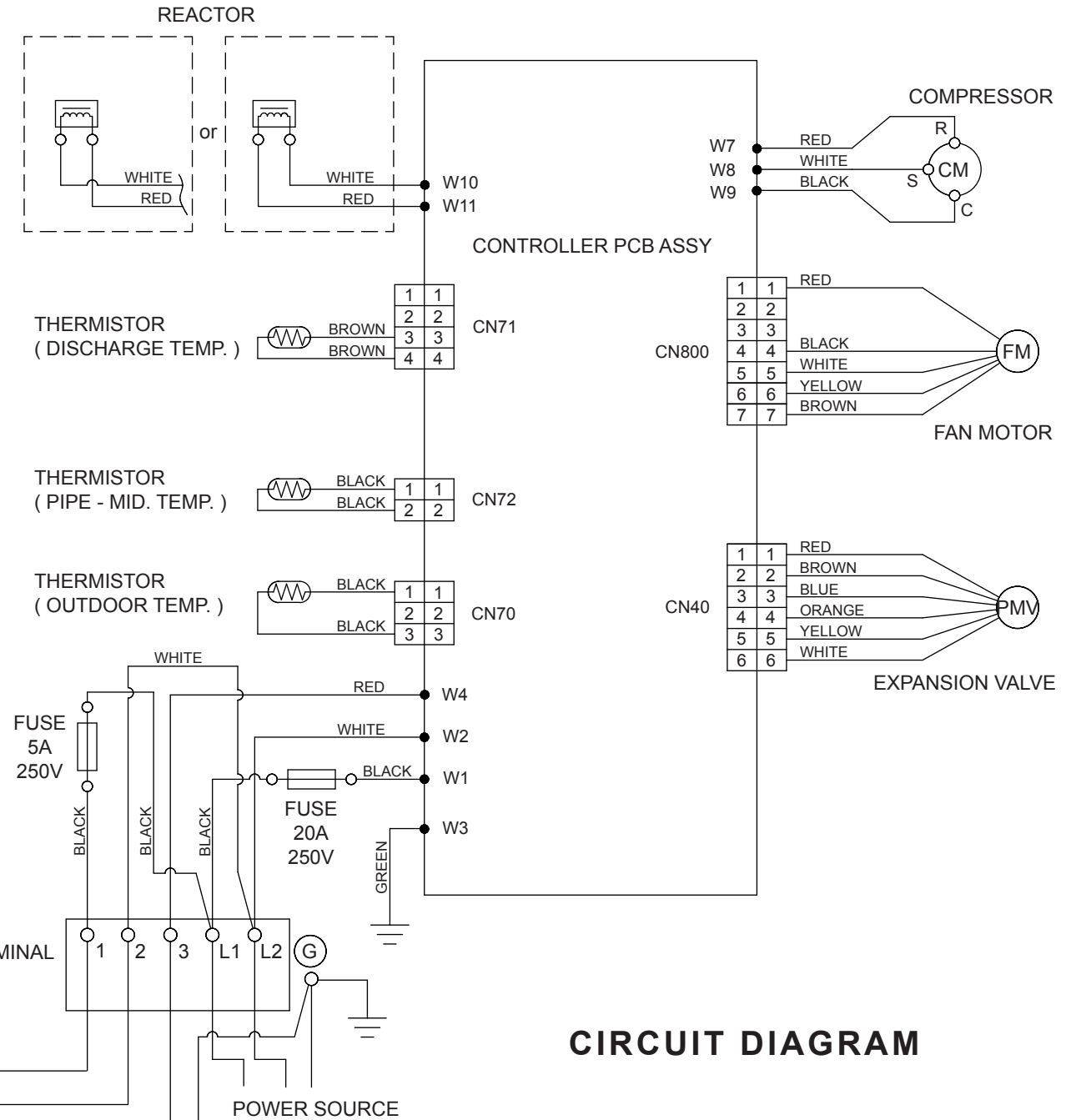
→
Refrigerant direction

Refrigerant pipe diameter
Liquid : 1/4" (6.35 mm)
Gas : 5/8" (15.88 mm)

INDOOR UNIT



OUTDOOR UNIT

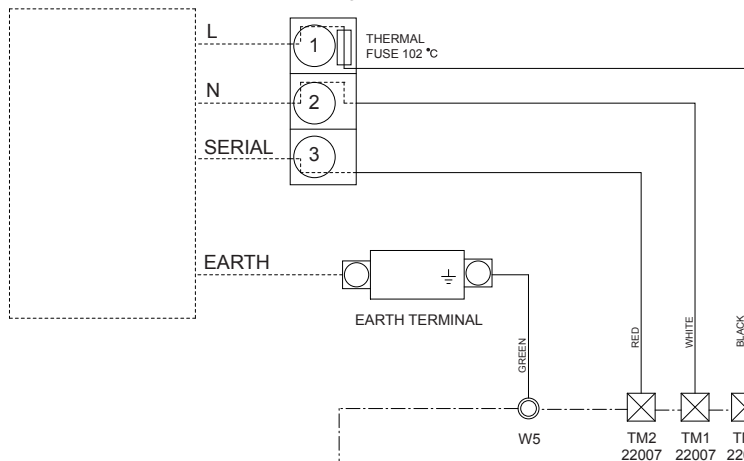


CIRCUIT DIAGRAM

INDOOR PCB CIRCUIT DIAGRAM

OUTDOOR UNIT

TERMINAL BOARD

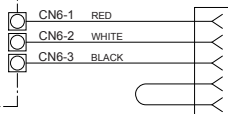


CONTROL UNIT
EZ-0107WSE

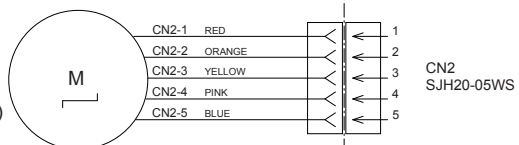
INDICATOR PCB ASSEMBLY
K05CY-0500HSE-D0

CONTROLLER PCB ASSEMBLY
(MAIN PCB)
K08CX-1001WSE-C1

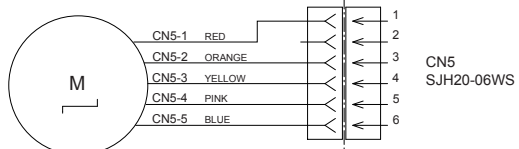
WIRED REMOTE CONTROL
(OPTION)



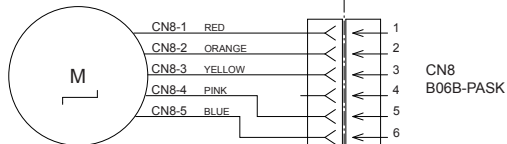
LOUVER
(LEFT / RIGHT)



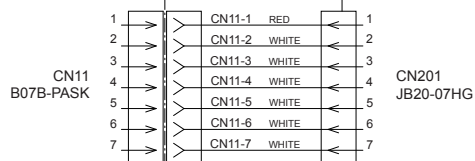
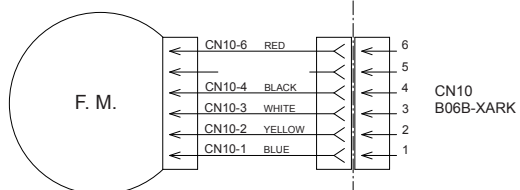
LOUVER
(UP / DOWN)



DIFFUSER



FAN MOTOR



CN201
JB20-07HG

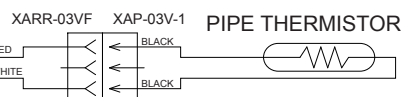
CN14
B2B-XH

EX IN

CN16
B3B-XH

EX OUT

CN3
JC25-02HG

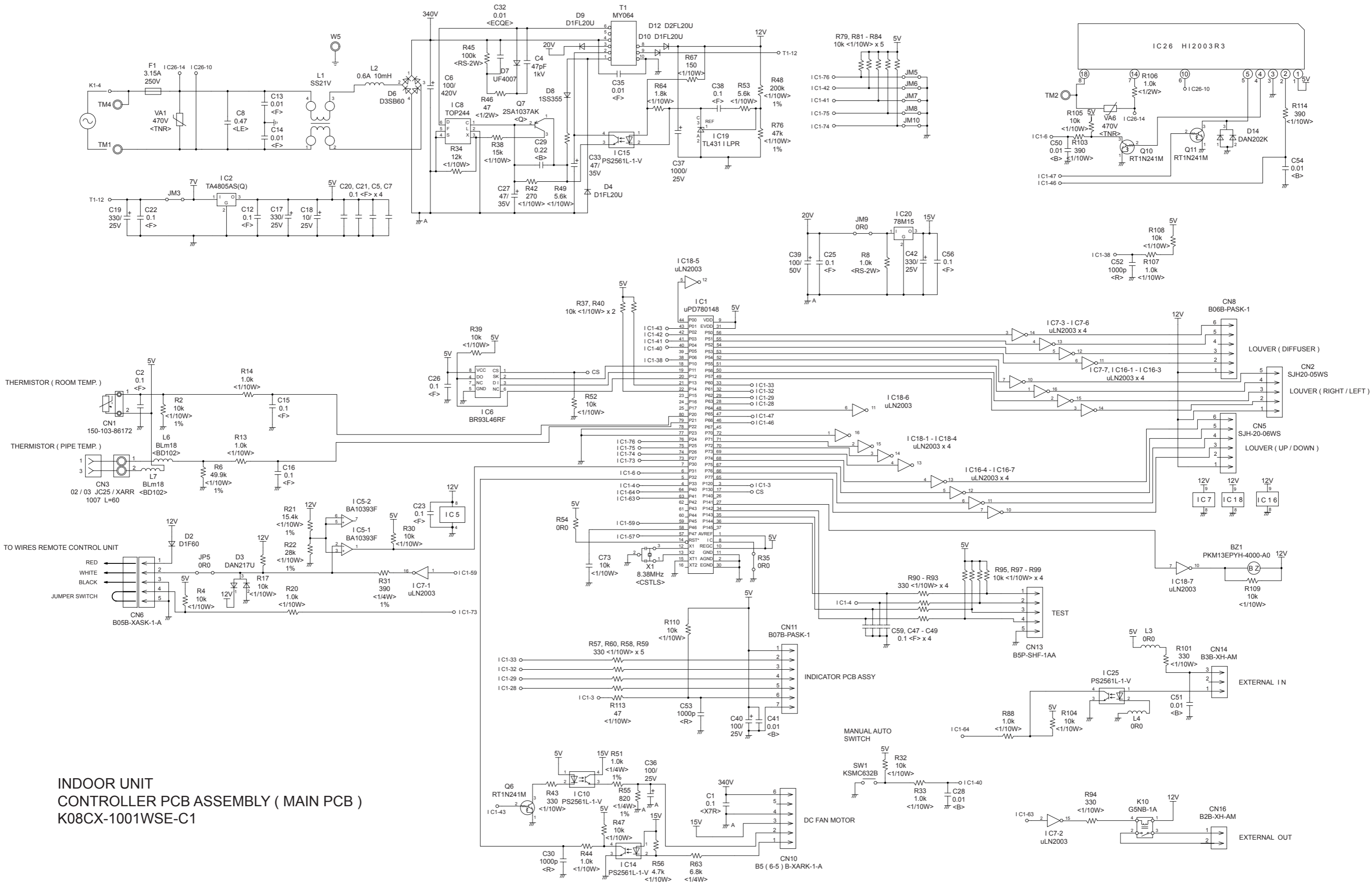


CN1
2P-SAN

ROOM THERMISTOR

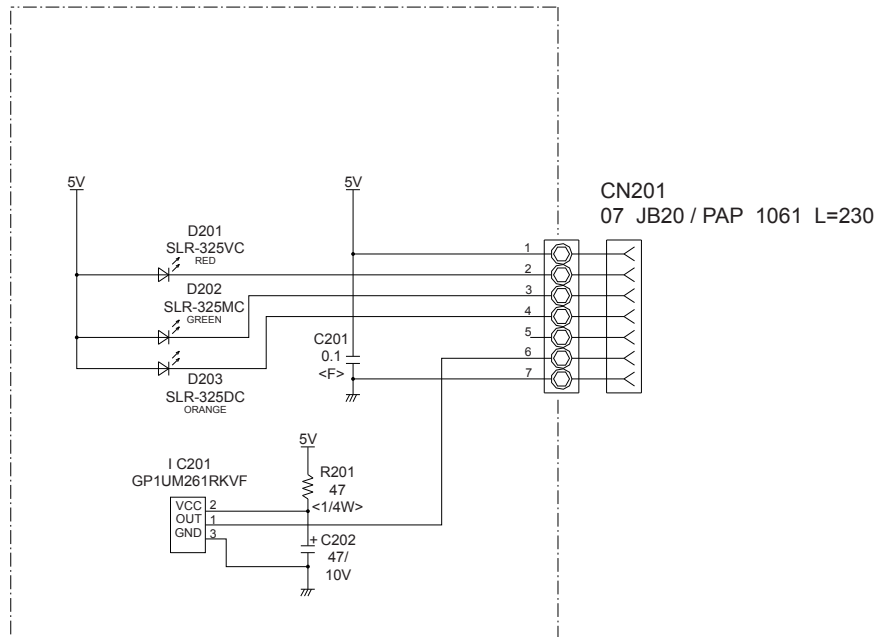
CN13
B5P-SHF-1AA

TEST



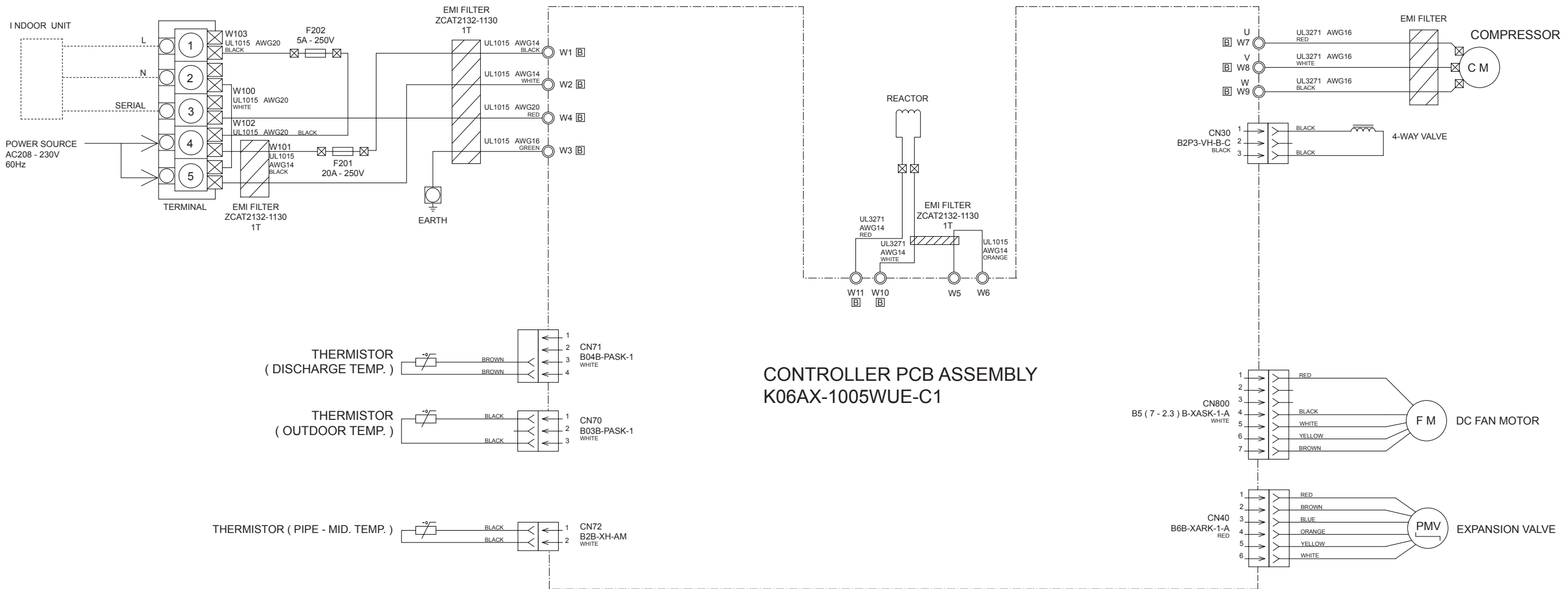
INDOOR UNIT
CONTROLLER PCB ASSEMBLY (MAIN PCB)
K08CX-1001WSE-C1

INDOOR UNIT
 INDICATOR PCB ASSEMBLY
 K05CY-0500HSE-D0

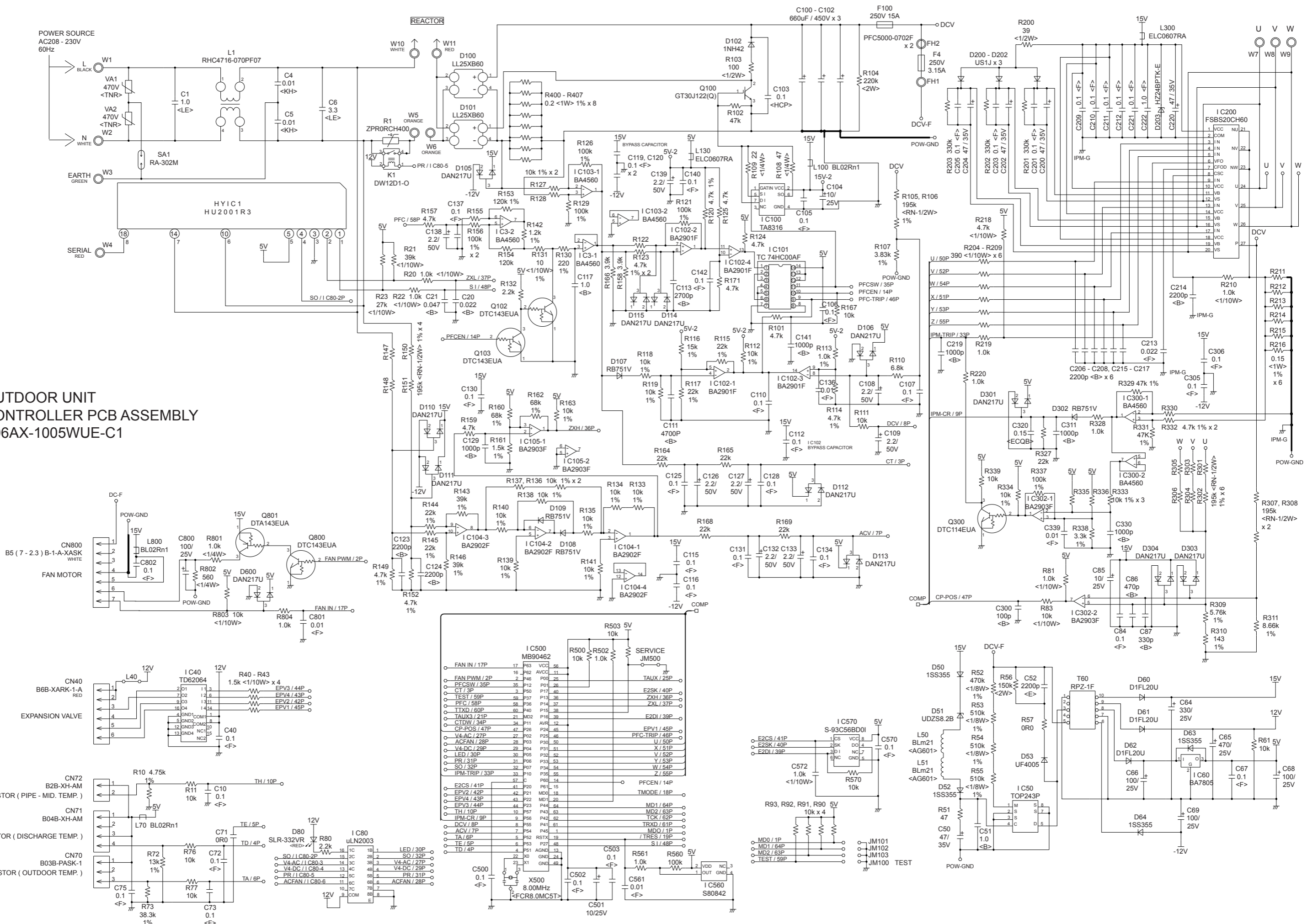


OUTDOOR PCB CIRCUIT DIAGRAM

INVERTER ASSEMBLY EZ-0101WUE



**OUTDOOR UNIT
CONTROLLER PCB ASSEMBLY
K06AX-1005WUE-C1**



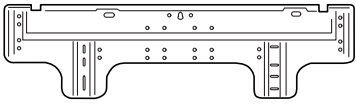
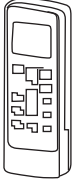
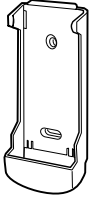

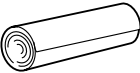


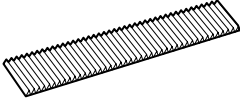
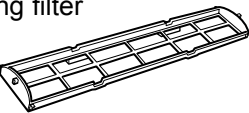
ERROR DETECTION

Error	Display		Error
	Operation LED	Timer LED	
Serial signal error	Off	2 flash	Serial signal (reverse) error, at operation start up
		3 flash	Serial signal (reverse) error, during operation
		4 flash	Serial signal (forward) error, at operation start up
		5 flash	Serial signal (forward) error, during operation
		8 flash	Wired remote controller error
Indoor unit thermistor error	2 flash	2 flash	Indoor temperature thermistor open / short
		3 flash	Heat exchanger middle thermistor open / short
Outdoor unit thermistor error	3 flash	2 flash	Discharge thermistor open / short
		3 flash	Heat exchanger thermistor open
		4 flash	Outdoor temperature thermistor open / short
Indoor unit control error	4 flash	2 flash	Forced automatic SW welded
		3 flash	Main relay welded
		4 flash	Power interruption error
		7 flash	VDD permanent stop protection
		8 flash	reverse VDD permanent stop protection
Outdoor unit control error	5 flash	2 flash	Current trip error
		3 flash	CT abnormal
		5 flash	Compressor location detection error
		6 flash	Outdoor unit fan drive system abnormal
Indoor fan motor error	6 flash	2 flash	Abnormal lock
		3 flash	Abnormal rotation
Refrigerant cycle error	7 flash	2 flash	Discharge Temperature abnormal
		3 flash	Cooling high pressure abnormal rise
Optional function error	8 flash	4 flash	PFC circuit error
Model information error	0.1 sec on/off	0.1 sec on/off	Model information error

OUTDOOR UNIT

LED	ERROR
on	Discharge temperature abnormal
5.0 second on / 5.0 second off	Fan abnormal
5.0 second on / 0.1 second off	AF PAM voltage abnormal
2.0 second on / 2.0 second off	CT abnormal
0.5 second on / 0.5 second off	Trip
0.1 second on / 2.0 second off	Compressor location abnormal
0.1 second on / 0.1 second off	Thermistor abnormal

ACCESSORIES

Name and Shape	Part number
Wall hook bracket 	9315023018
Remote control 	9315027160
Remote control holder 	9305642045
Battery (penlight) 	0600185541
Cloth tape 	9310519004
Tapping screw (big) 	0700076046
Tapping screw (small) 	0700019036
Air cleaning filter 	9312153060 9311925071
Air cleaning filter frame 	9368568009

1010G3838