

SPLIT TYPE
ROOM AIR CONDITIONER
WALL MOUNTED TYPE

SERVICE MANUAL



Indoor unit	Outdoor unit
ASU30CLX1	AOU30CLX1
ASU36CLX1	AOU36CLX1

CONTENTS

SPECIFICATIONS	1
DIMENSIONS	2
REFRIGERANT SYSTEM DIAGRAM	4
CIRCUIT DIAGRAM	5
INDOOR PCB CIRCUIT DIAGRAM	6
OUTDOOR PCB CIRCUIT DIAGRAM	9
ERROR DERECTION	14
PARTS (INDOOR UNIT)	16
PARTS (OUTDOOR UNIT)	20
ACCESSORIES	24

SPECIFICATIONS

ELECTRICAL DATA

TYPE	Cool only inverter	
INDOOR UNIT	ASU30CLX1	ASU36CLX1
OUTDOOR UNIT	AOU30CLX1	AOU36CLX1
COOLING CAPACITY	30,800 BTU/h 9.00 kW	33,000 BTU/h 9.70 kW
POWER SOURCE	208 V / 230 V	208 V / 230 V
FREQUENCY	60 Hz	60 Hz
RUNNING CURRENT	14.2 A	17.0 A
INPUT WATTS	3.24 kW	3.88 kW
E.E.R.	9.5 BTU/kW 2.78 kW/kW	8.5 BTU/kW 2.50 kW/kW
MOISTURE REMOVAL	9.7 Pt/h 4.6 L/hr	10.1 Pt/h 4.8 L/hr
AIR CIRCULATION HIGH	659 cfm 1,120 m ³ /hr	694 cfm 1,180 m ³ /hr
MAXIMUM CURRENT	17.0 A	18.0 A

FAN MOTOR

POWER SOURCE		230 V	230 V
INDOOR UNIT	High	1,480 r.p.m.	1,560 r.p.m.
	Medium	1,220 r.p.m.	1,220 r.p.m.
	Low	1,020 r.p.m.	1,020 r.p.m.
	Quiet	900 r.p.m.	900 r.p.m.
OUTDOOR UNIT		850 r.p.m.	850 r.p.m.

NOISE LEVEL

INDOOR UNIT	High	49 dB	50 dB
	Medium	42 dB	42 dB
	Low	37 dB	37 dB
	Quiet	33 dB	33 dB
OUTDOOR UNIT		54 dB	54 dB

COMPRESSOR AND REFRIGERANT

TYPE	Hermetic type, 6 pole, DC inverter motor, Rotary	
DISCRIMINATION	N-TF30ND1A	
WEIGHT WITH OIL	34.2 lb 15.5 kg	
PRECHARGED REFRIGERANT	4 lb 10 oz 2,100 g	
REFRIGERANT TYPE	R410A	
FULL CHARGE	Pipe length 66 ft 20 m	4 lb 10 oz 2,100 g
	164 ft 50 m	7 lb 4 oz 3,300 g
ADDITIONAL CHARGE	0.43 oz/ft 40 g/m	
MAXIMUM HEIGHT	99 ft 30 m	

DIMENSIONS

INDOOR UNIT	H x W x D	12-5/8 x 39-1/4 x 9 inch	320 x 998 x 228 mm
OUTDOOR UNIT	H x W x D	32-3/4 x 35-3/8 x 13 inch	830 x 900 x 330 mm

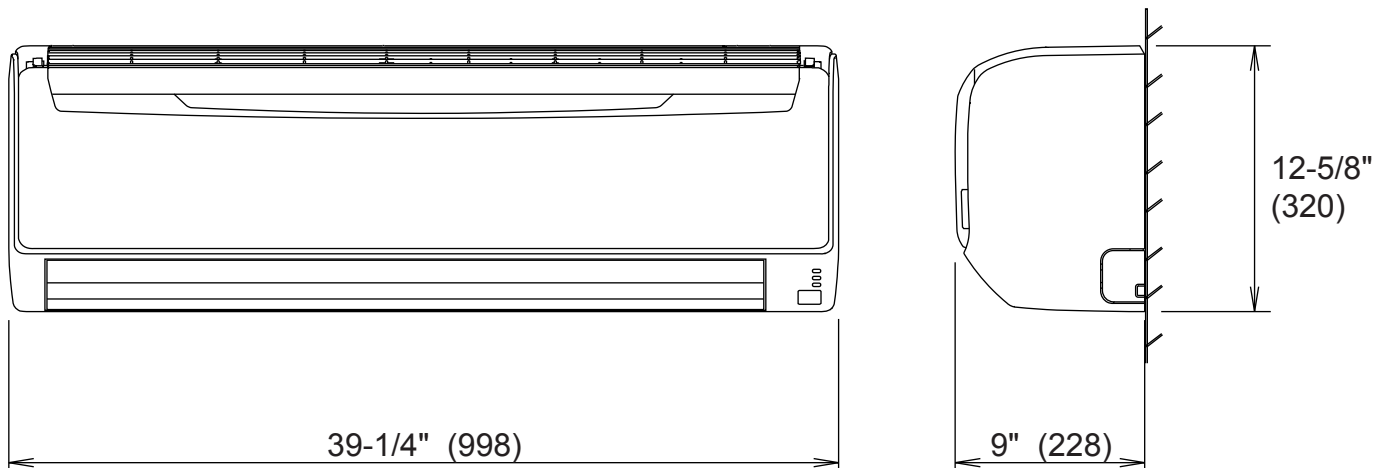
WEIGHT

INDOOR UNIT	Shipping / Net	40 lbs / 31 lbs	18 kg / 14 kg
OUTDOOR UNIT	Shipping / Net	150 lbs / 135 lbs	68 kg / 61 kg

DIMENSIONS

INDOOR UNIT

Unit : inch (mm)



Drain pipe diameter

Inside : 5/8 inch (16 mm)

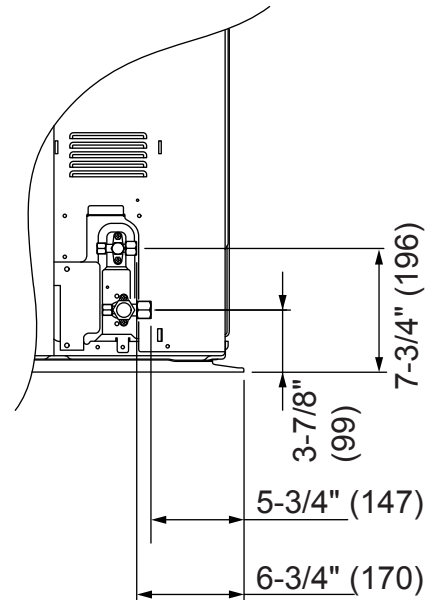
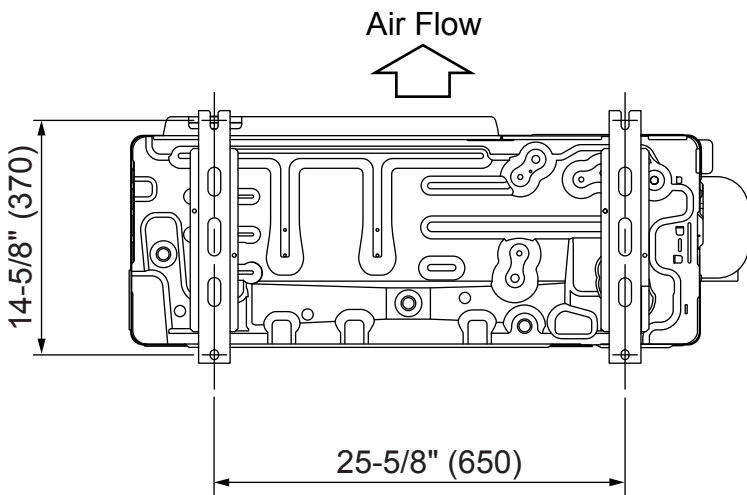
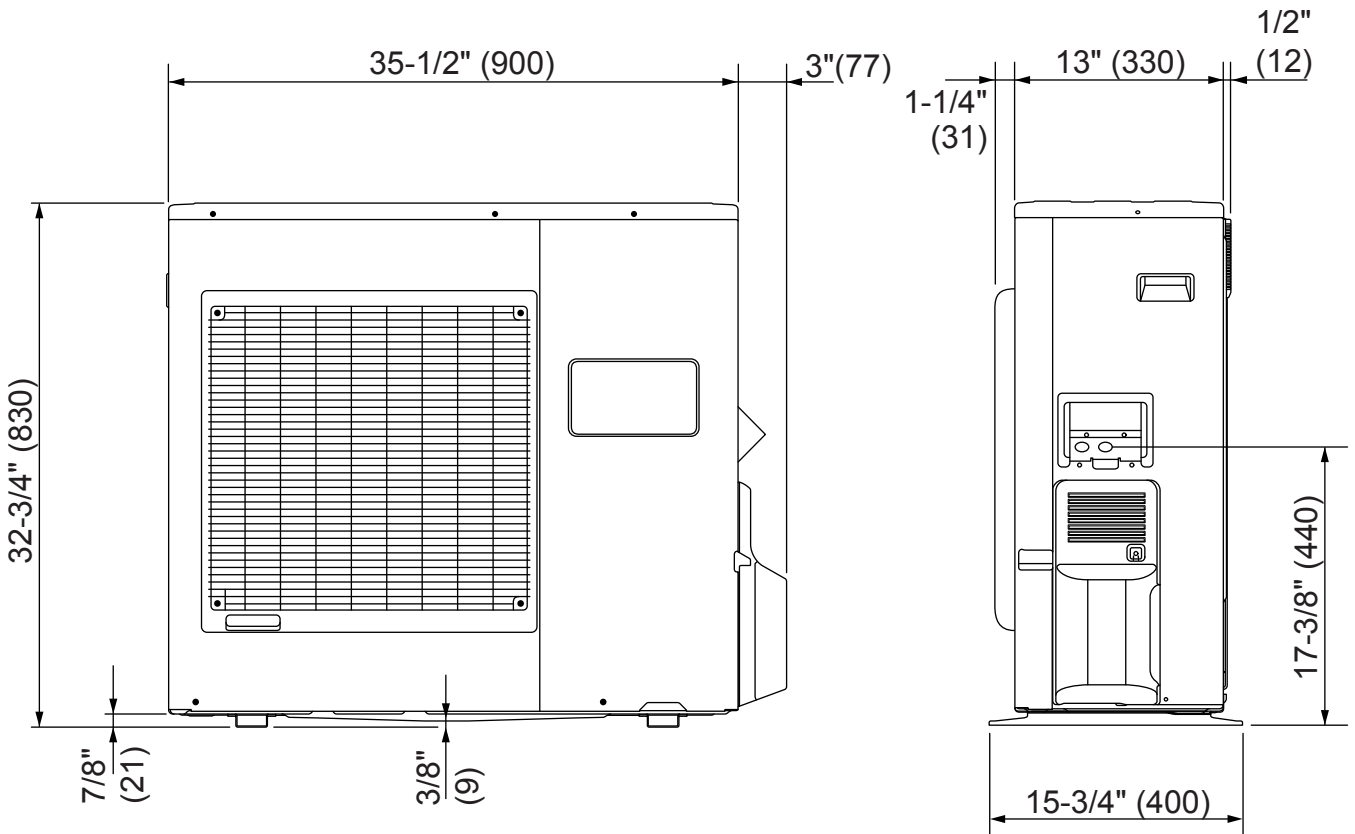
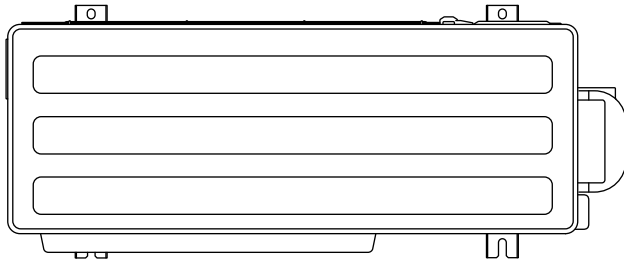
Outside : 1-3/32 inch (28 mm)

Liquid pipe diameter : 3/8 inch (9.52 mm)

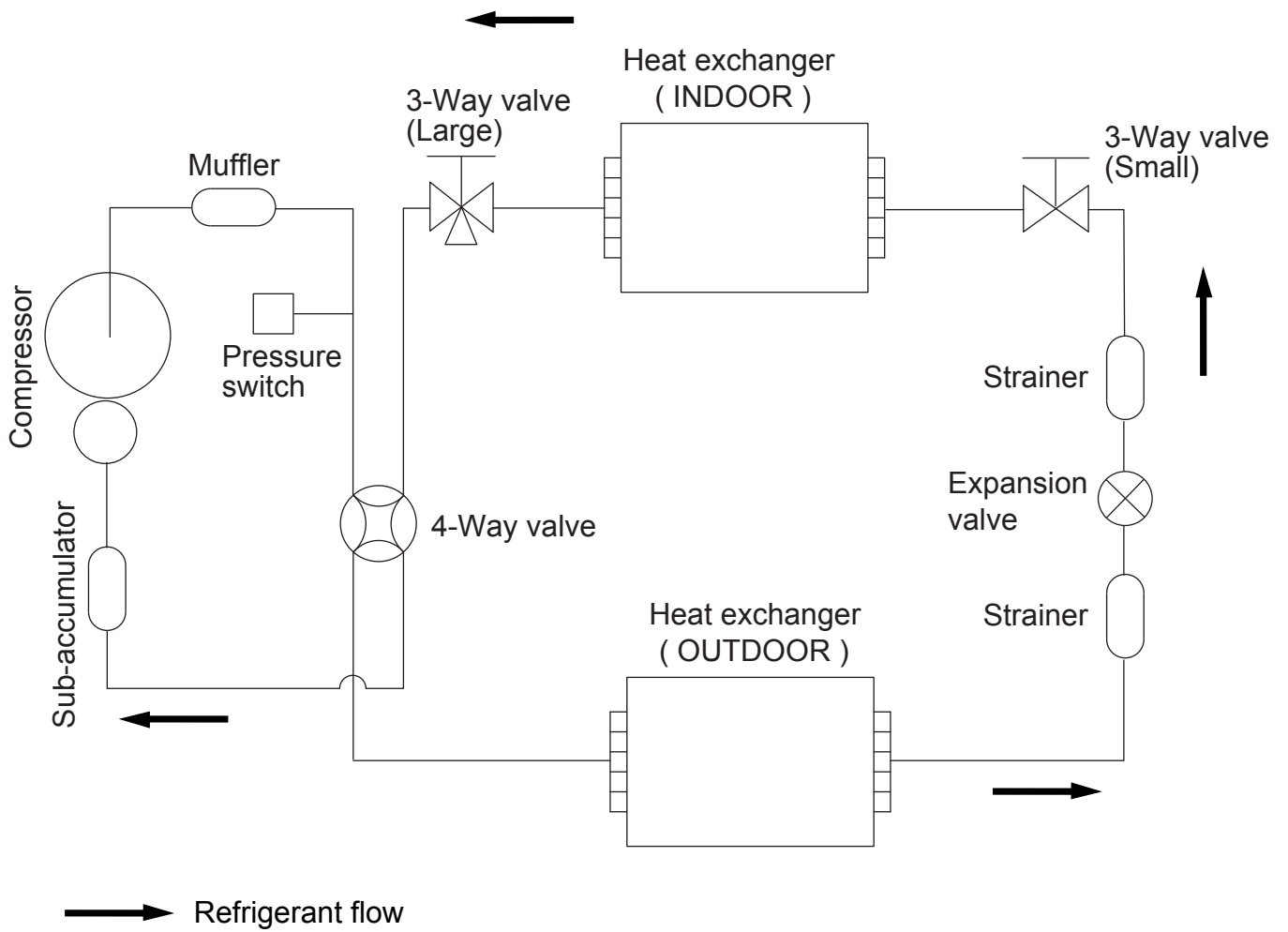
Gas pipe diameter : 5/8 inch (15.88 mm)

OUTDOOR UNIT

Unit : inch (mm)



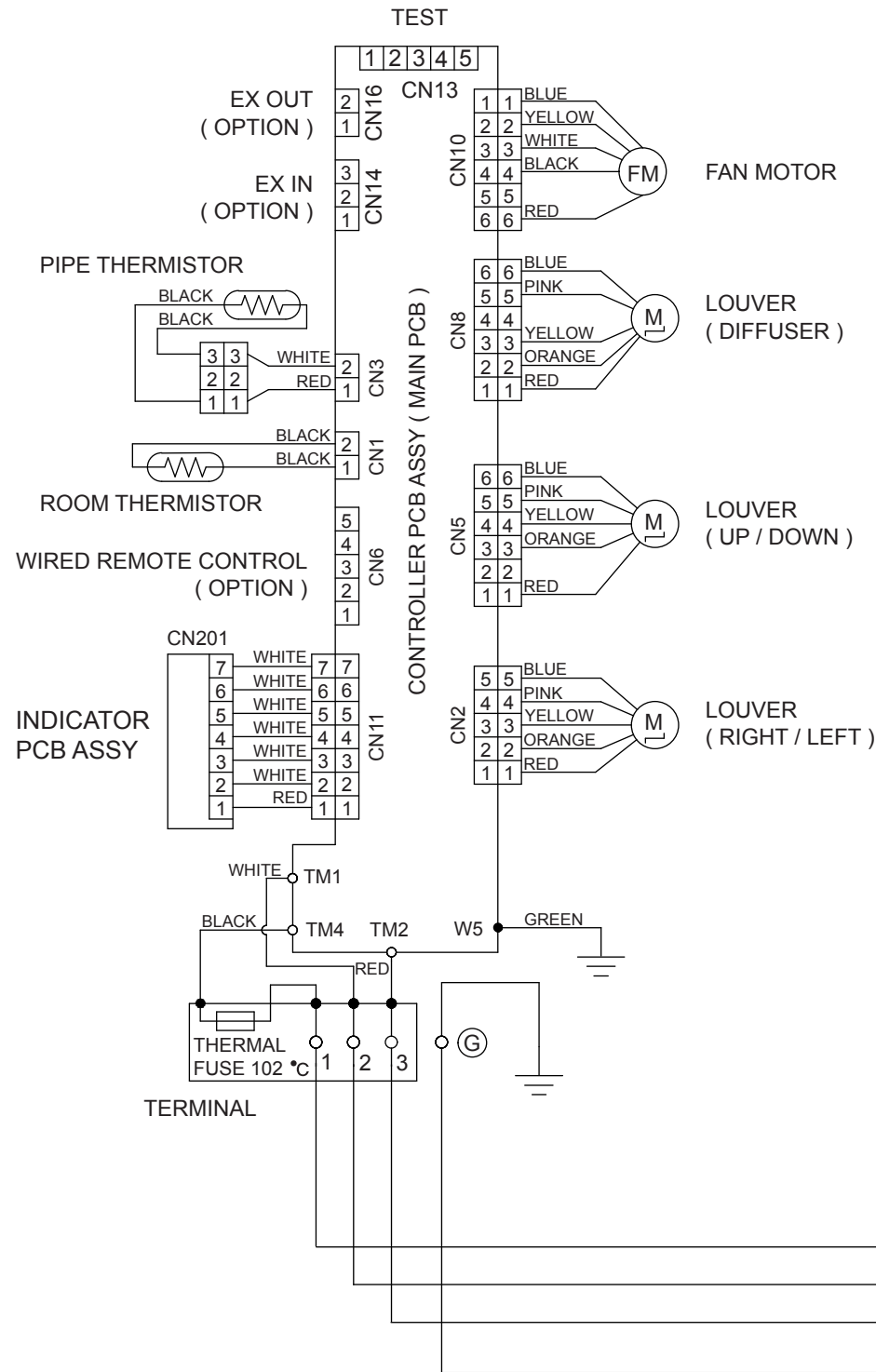
REFRIGERANT SYSTEM DIAGRAM



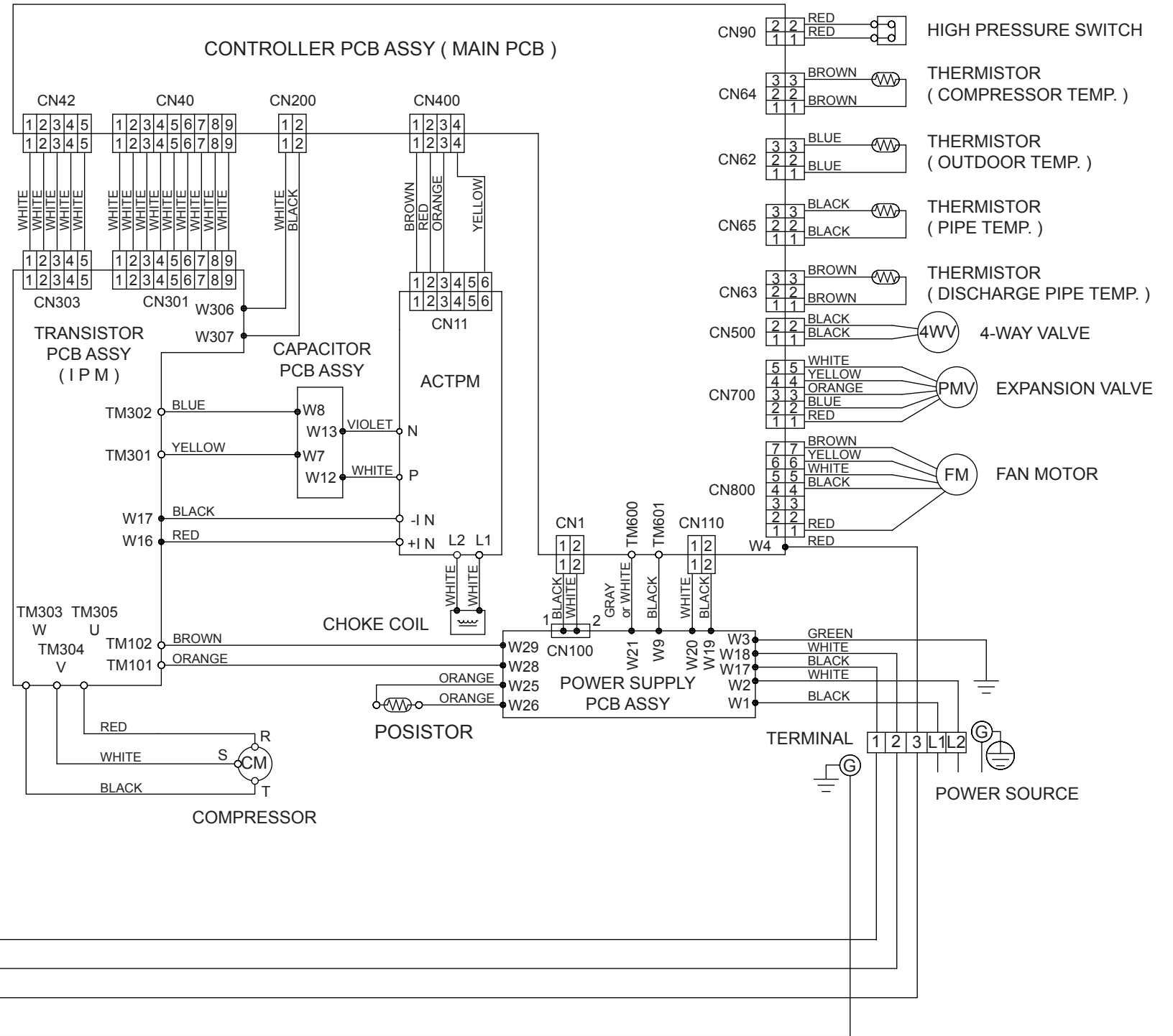
Refrigerant pipe diameter
 Liquid : 3/8" (9.52 mm)
 Gas : 5/8" (15.88 mm)

CIRCUIT DIAGRAM

INDOOR UNIT

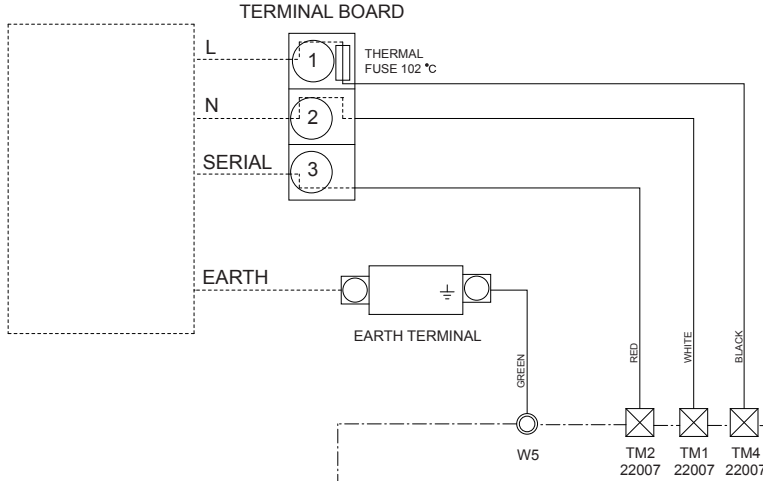


OUTDOOR UNIT



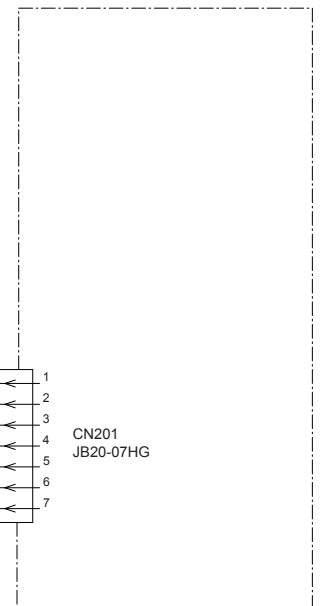
INDOOR PCB CIRCUIT DIAGRAM

OUTDOOR UNIT

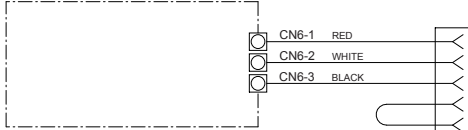


CONTROL UNIT
ASU30CLX1 : EZ-0109WSE
ASU36CLX1 : EZ-010AWSE

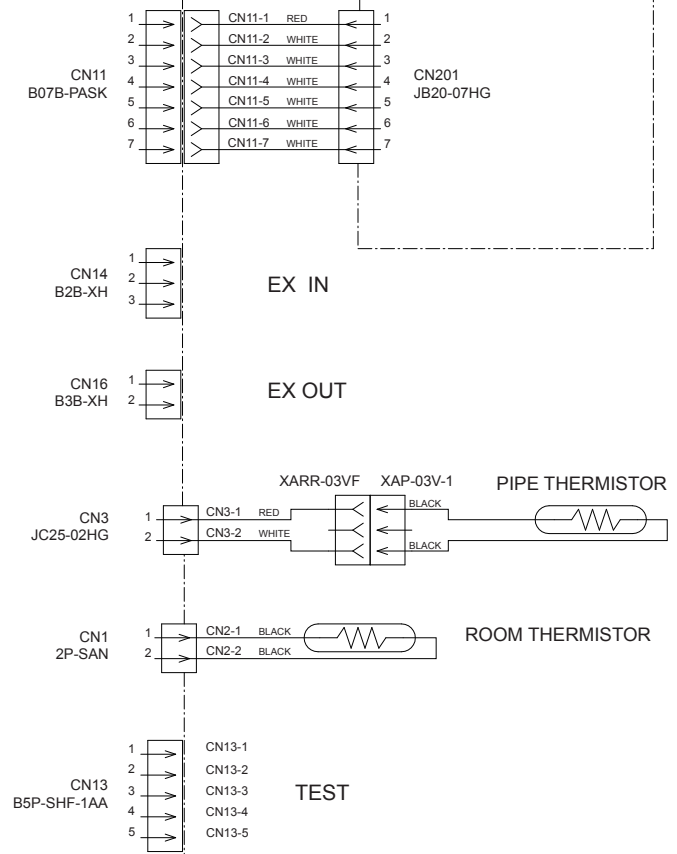
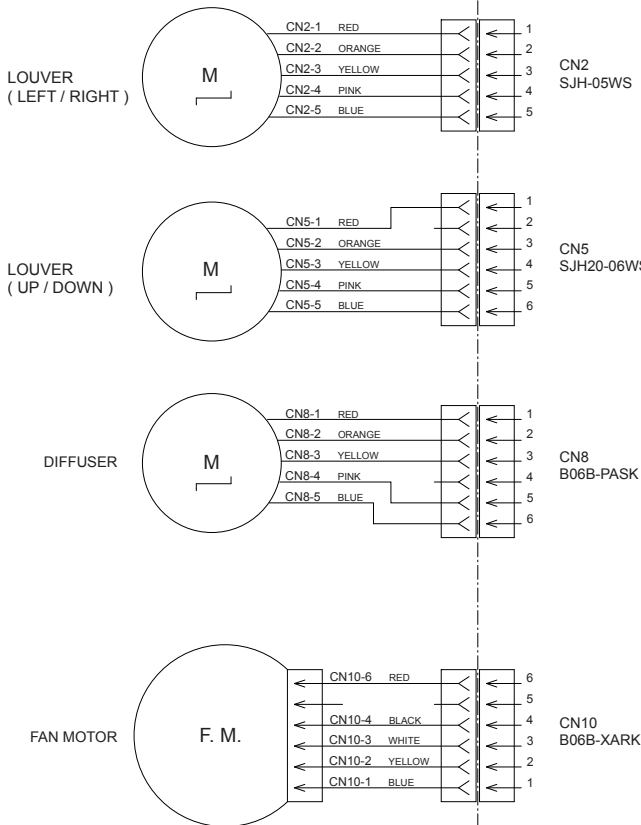
INDICATOR PCB ASSEMBLY K05CY-0500HSE-D0

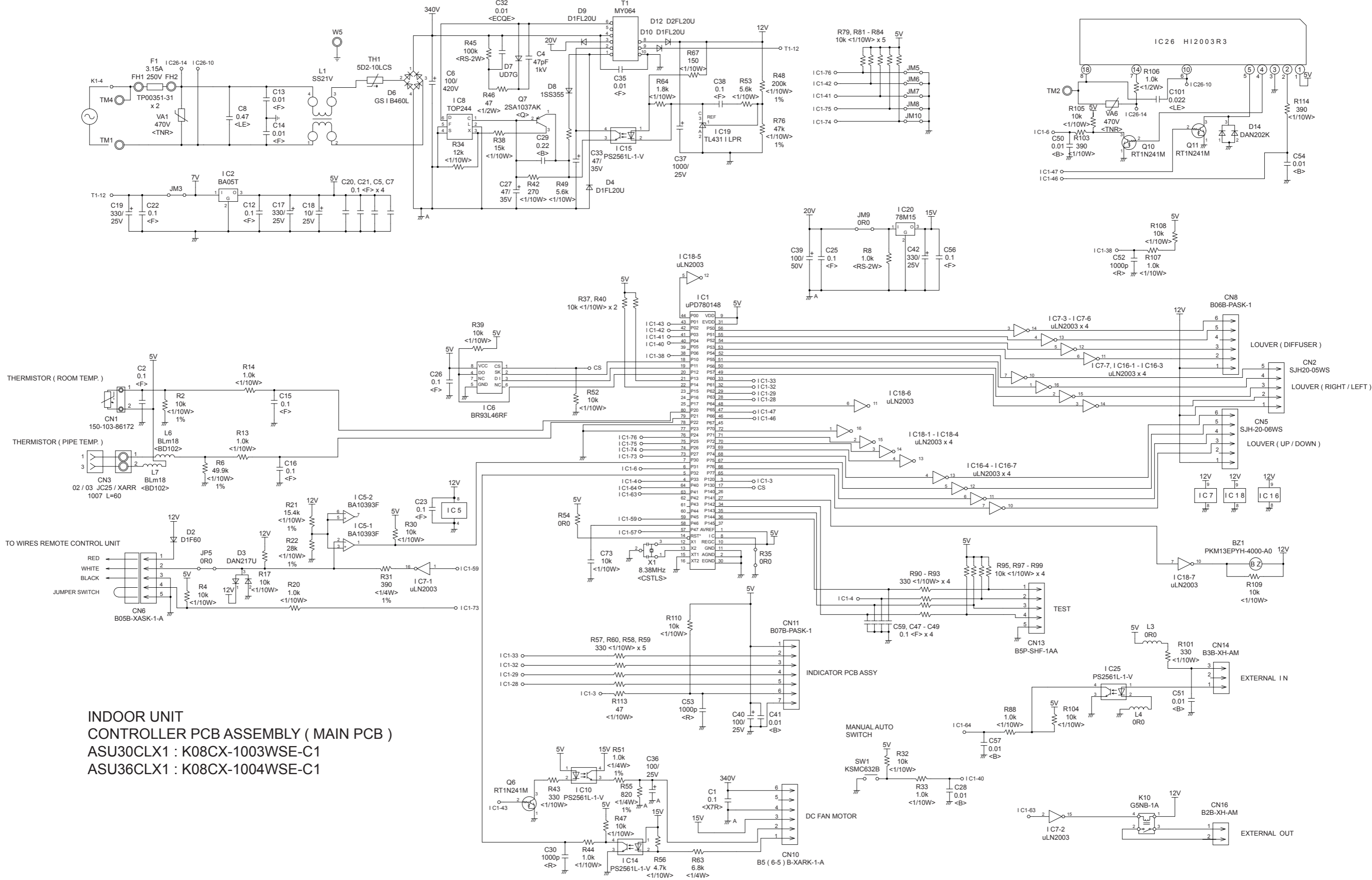


WIRED REMOTE CONTROL (OPTION)



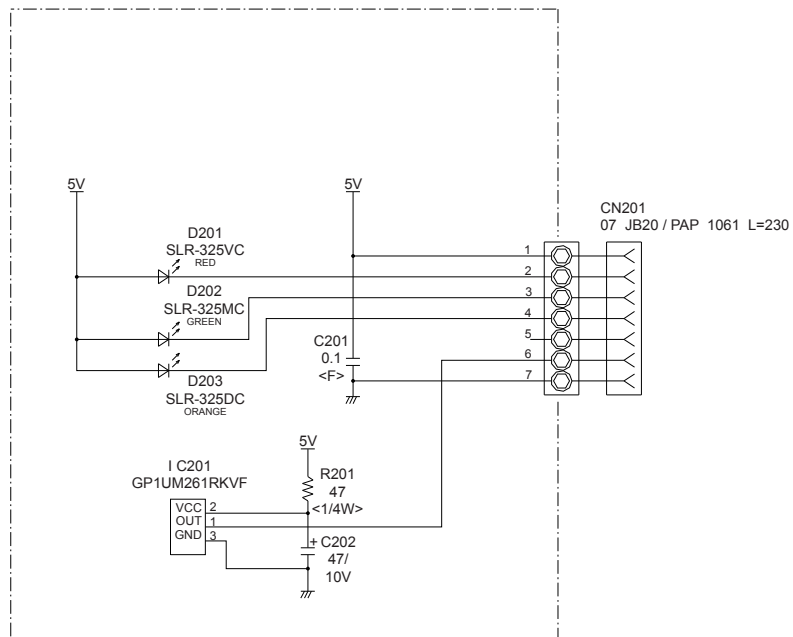
CONTROLLER PCB ASSEMBLY (MAIN PCB) MW30C3G : K08CX-1003WSE-C1 MW36C3G : K08CX-1004WSE-C1





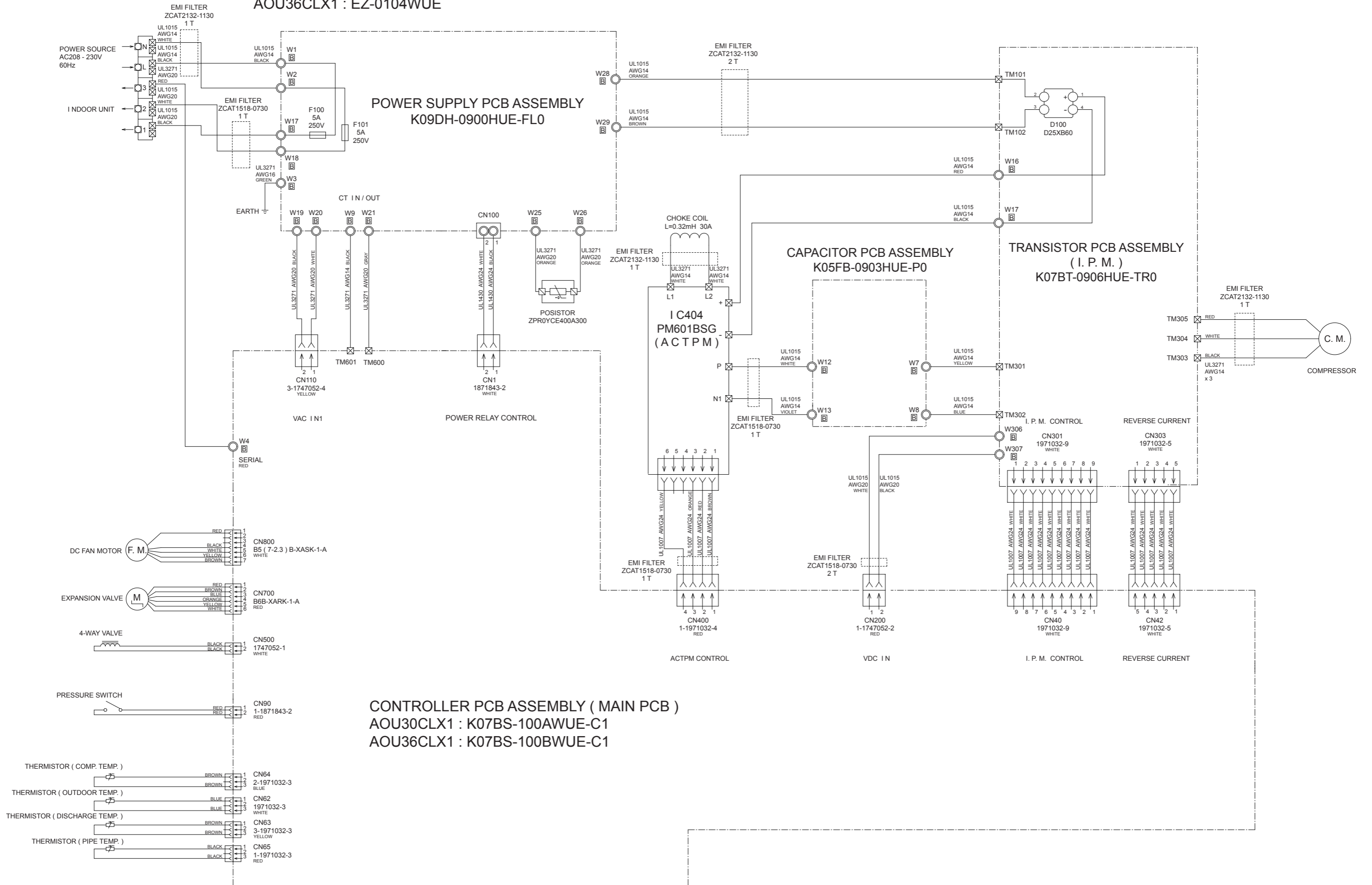
INDOOR UNIT
CONTROLLER PCB ASSEMBLY (MAIN PCB)
 ASU30CLX1 : K08CX-1003WSE-C1
 ASU36CLX1 : K08CX-1004WSE-C1

INDOOR UNIT
 INDICATOR PCB ASSEMBLY
 K05CY-0500HSE-D0



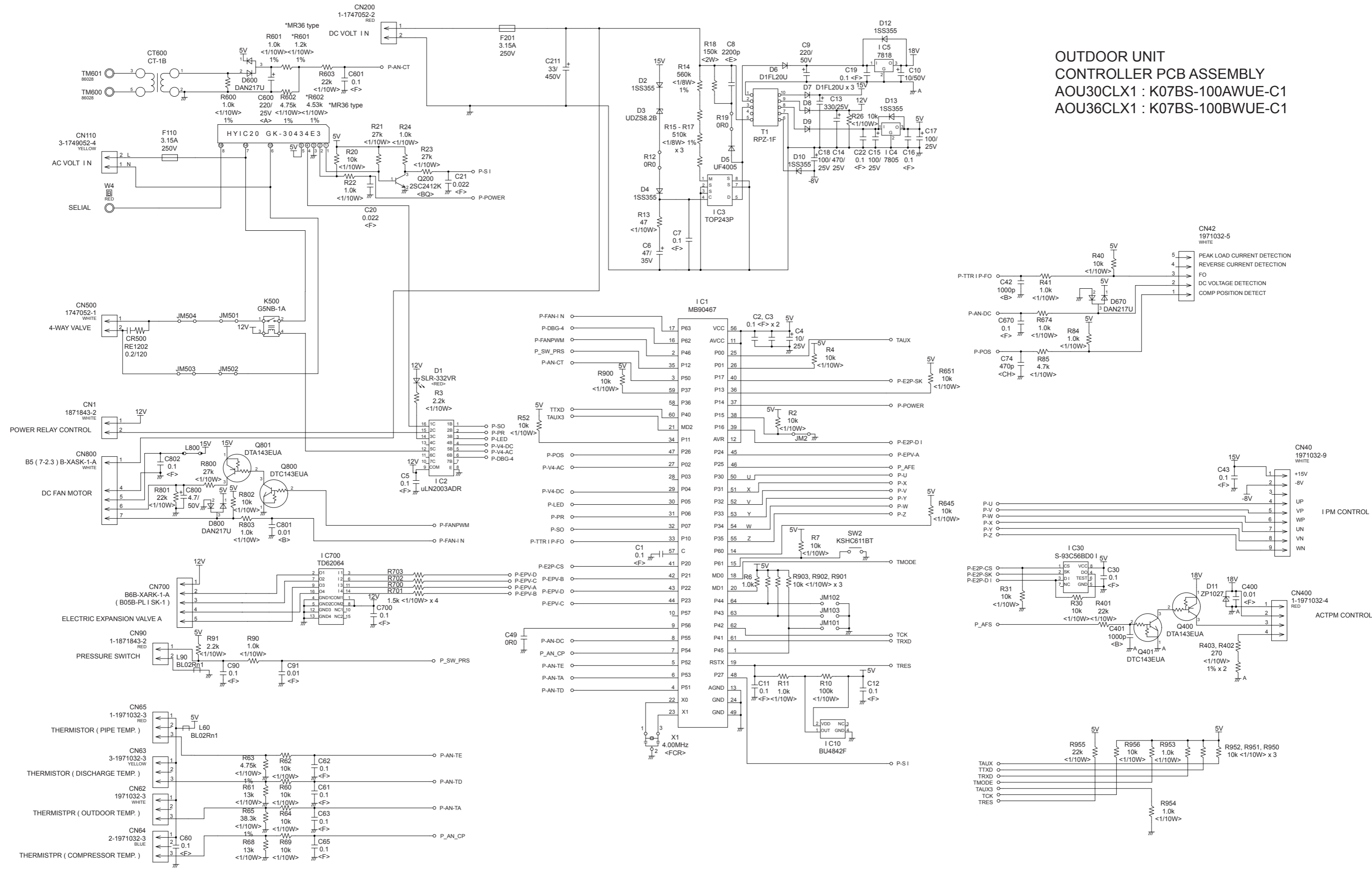
OUTDOOR PCB CIRCUIT DIAGRAM

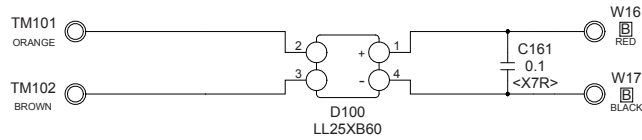
INVERTER ASSEMBLY
 AOU30CLX1 : EZ-0103WUE
 AOU36CLX1 : EZ-0104WUE



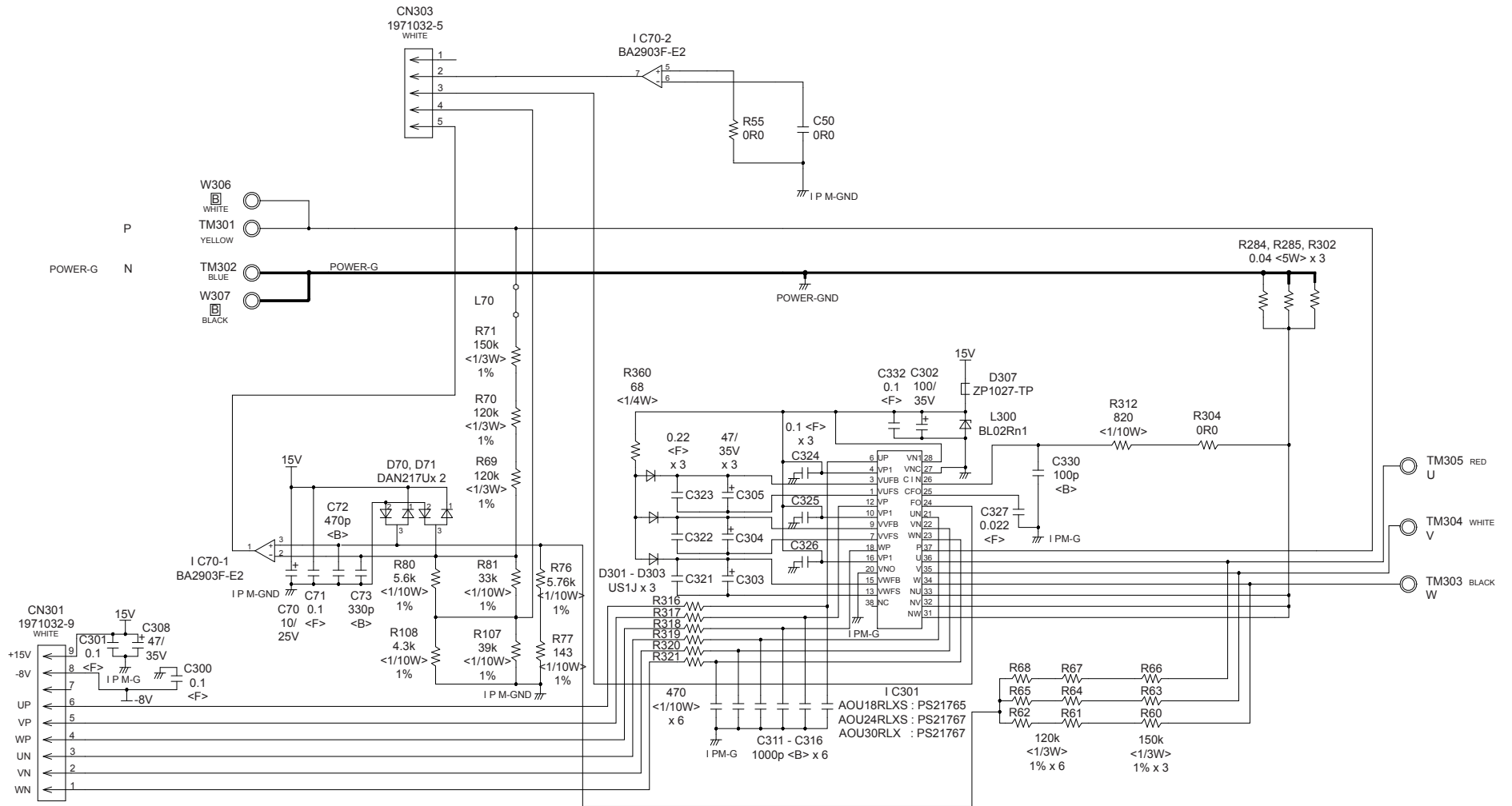
CONTROLLER PCB ASSEMBLY (MAIN PCB)
 AOU30CLX1 : K07BS-100AWUE-C1
 AOU36CLX1 : K07BS-100BWUE-C1

**OUTDOOR UNIT
CONTROLLER PCB ASSEMBLY**
 AOU30CLX1 : K07BS-100AWUE-C1
 AOU36CLX1 : K07BS-100BWUE-C1

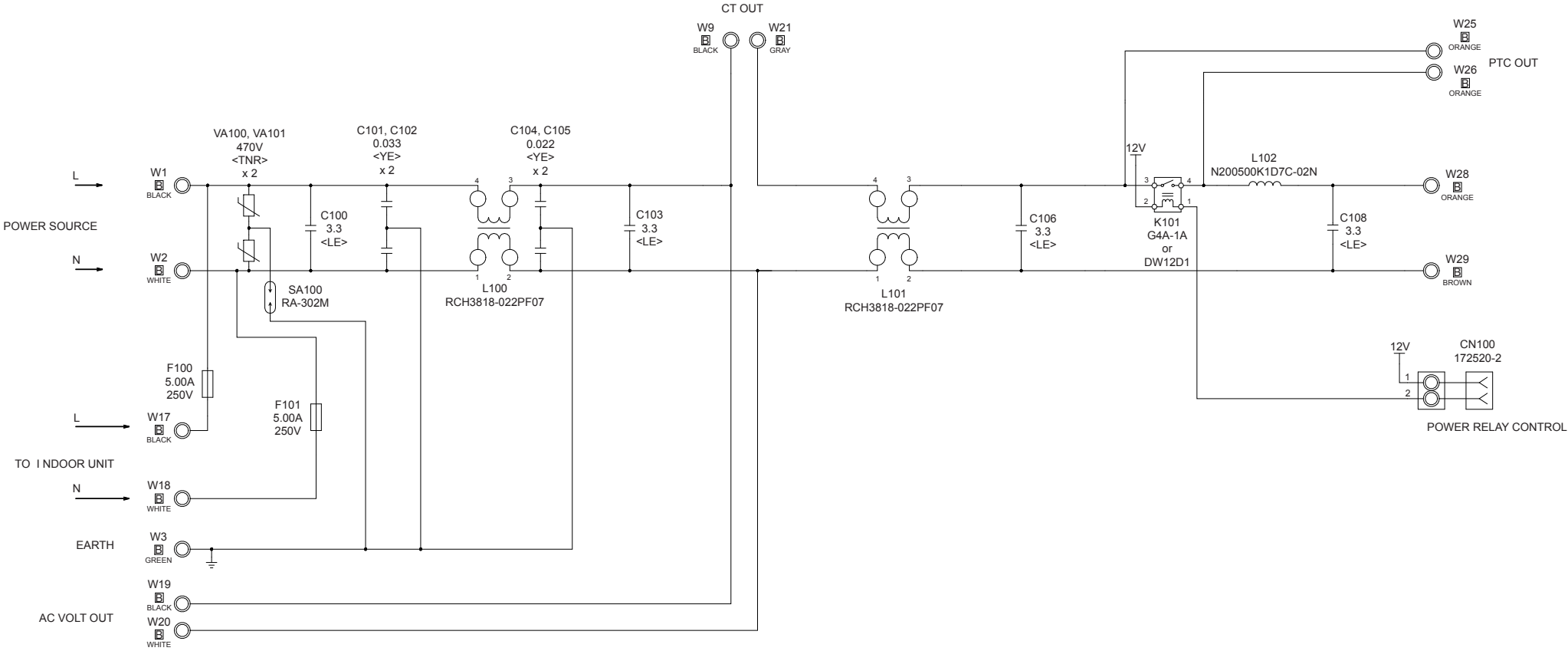




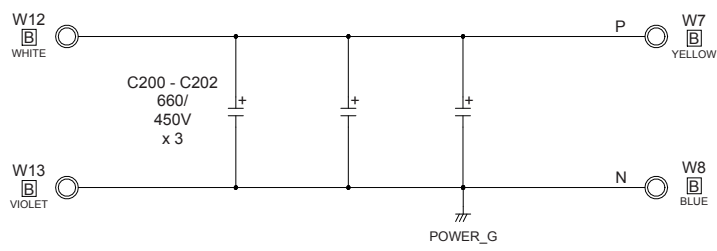
OUTDOOR UNIT TRANSISTOR PCB ASSEMBLY (I P M PCB) K07BT-0906HUE-TR0



OUTDOOR UNIT POWER SUPPLY PCB ASSEMBLY K09DH-0900HUE-FLO



OUTDOOR UNIT
CAPACITOR PCB ASSEMBLY
K05FB-0903HUE-P0



ERROR DETECTION

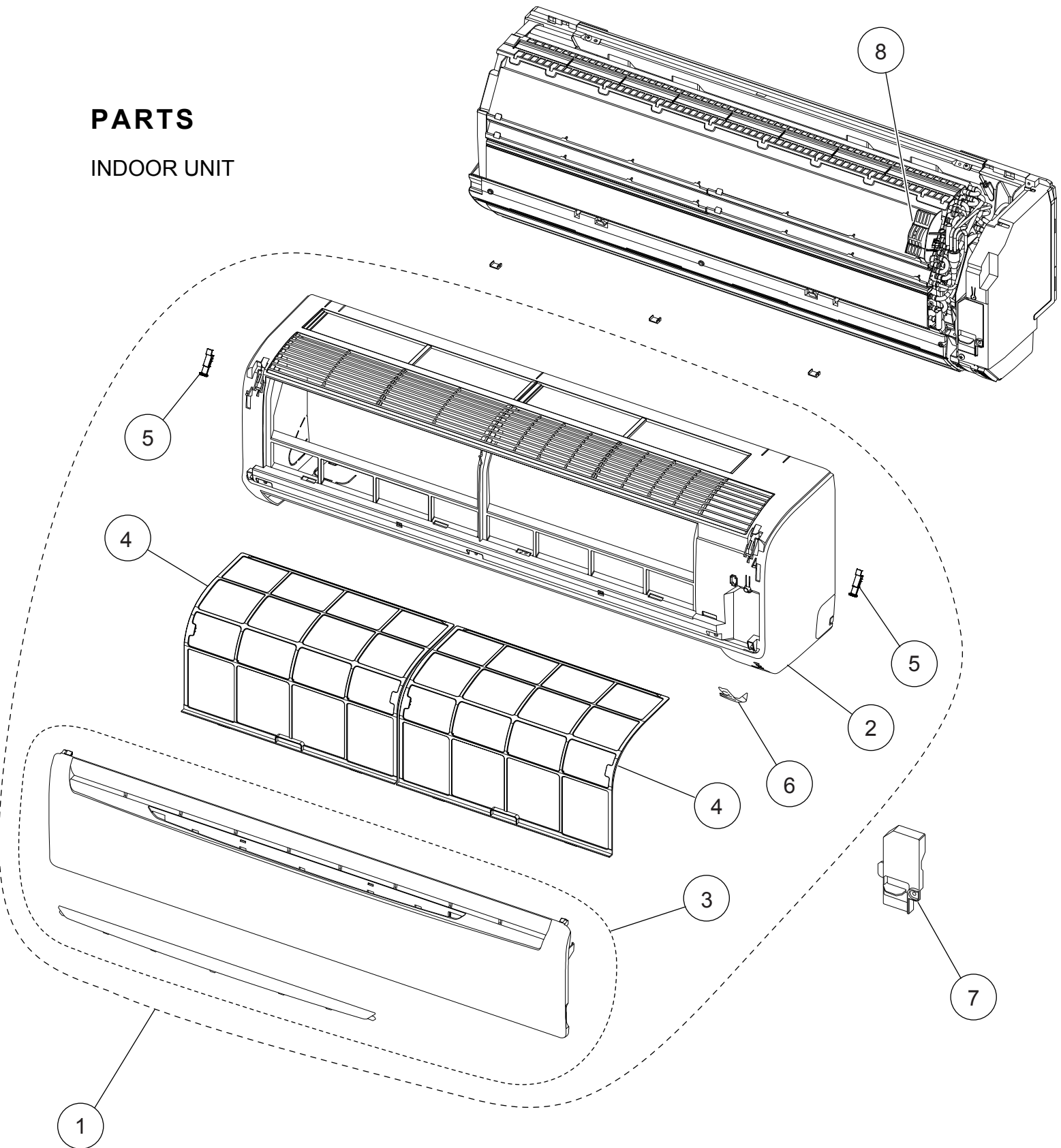
Error	Display		Error
	Operation LED	Timer LED	
Serial signal error	Normal	2 flash	Serial signal (reverse) error, at operation start up
		3 flash	Serial signal (reverse) error, during operation
		4 flash	Serial signal (forward) error, at operation start up
		5 flash	Serial signal (forward) error, during operation
		8 flash	Wired remote controller error
Indoor unit thermistor error	2 flash	2 flash	Indoor temperature thermistor open / short
		3 flash	Heat exchanger middle thermistor open / short
Outdoor unit thermistor error	3 flash	2 flash	Discharge thermistor open / short
		3 flash	Heat exchanger thermistor open
		4 flash	Outdoor temperature thermistor open / short
		8 flash	Compressor temperature thermistor open / short
Indoor unit control error	4 flash	2 flash	Forced automatic SW welded
		3 flash	Main relay welded
		4 flash	Power interruption error
		7 flash	VDD permanent stop protection
		8 flash	reverse VDD permanent stop protection
Outdoor unit control error	5 flash	2 flash	Current trip error
		3 flash	CT abnormal
		5 flash	Compressor location detection error
		6 flash	Outdoor unit fan drive system abnormal
Indoor fan motor error	6 flash	2 flash	Abnormal lock
		3 flash	Abnormal rotation
Refrigerant cycle error	7 flash	2 flash	Discharge Temperature abnormal
		3 flash	Cooling high pressure abnormal rise
		5 flash	Pressure switch trouble
Optional function error	8 flash	2 flash	Active filter voltage trouble (second time)
		3 flash	Active filter voltage trouble (first time)
		4 flash	PFC circuit error
Model information error	0.1 sec on/off	0.1 sec on/off	Model information error

OUTDOOR UNIT

LED	ERROR
on	Discharge temperature abnormal
0.5 second on / 0.5 second off	IPM overcurrent protection
0.1 second on / 0.1 second off	Thermistor abnormal
2.0 second on / 2.0 second off	CT abnormal
0.1 second on / 2.0 second off	Compressor location abnormal
5.0 second on / 5.0 second off	Fan abnormal

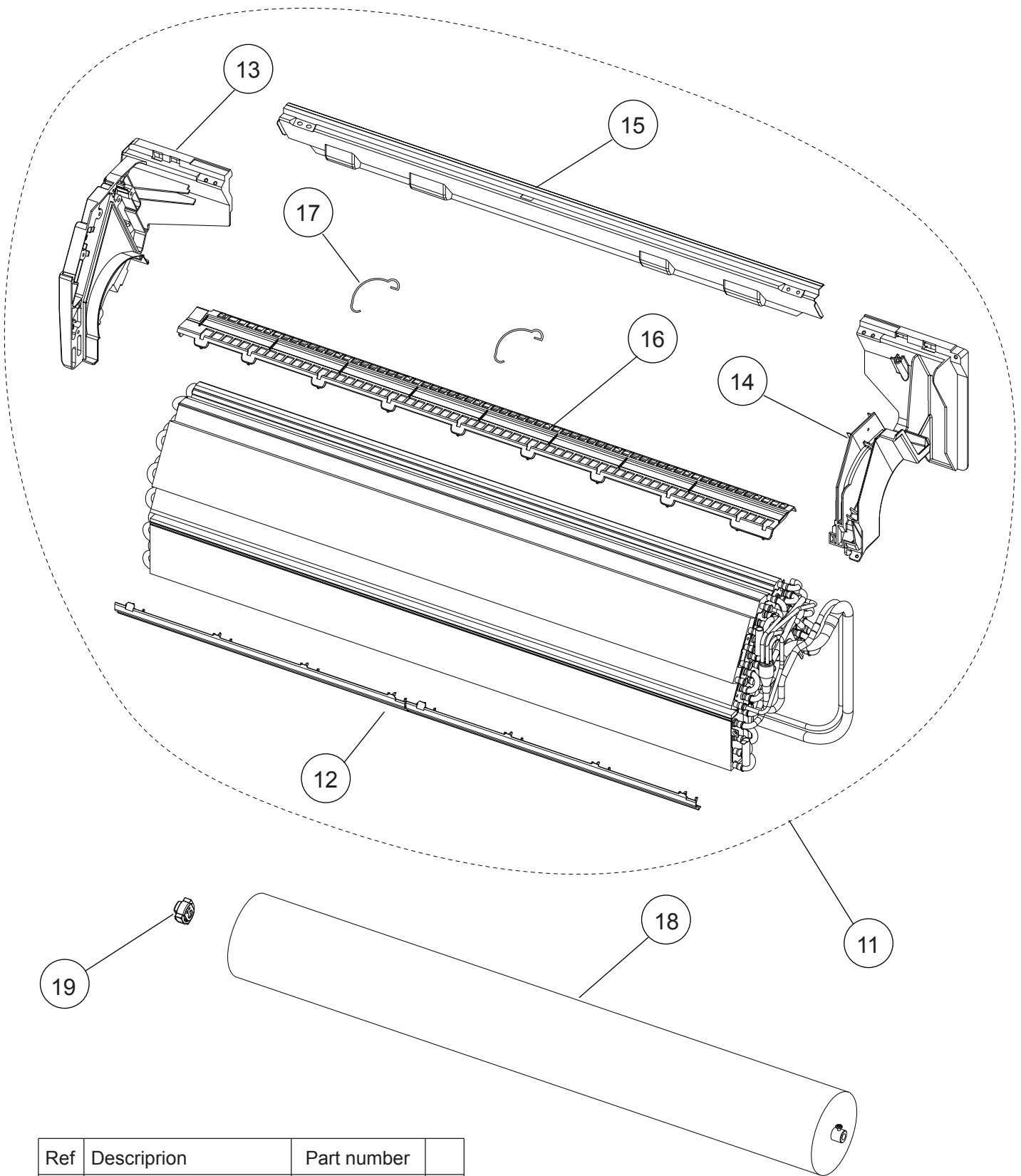
PARTS

INDOOR UNIT



Ref	Description	Part number
1	Front Panel Total Assy	9315335036
2	Front Panel	9314991028
3	Intake Grille Assy	9315336026
4	Air Filter	9315014016
5	Clamper Grille	9306755010
6	Receiver Window	9315010018

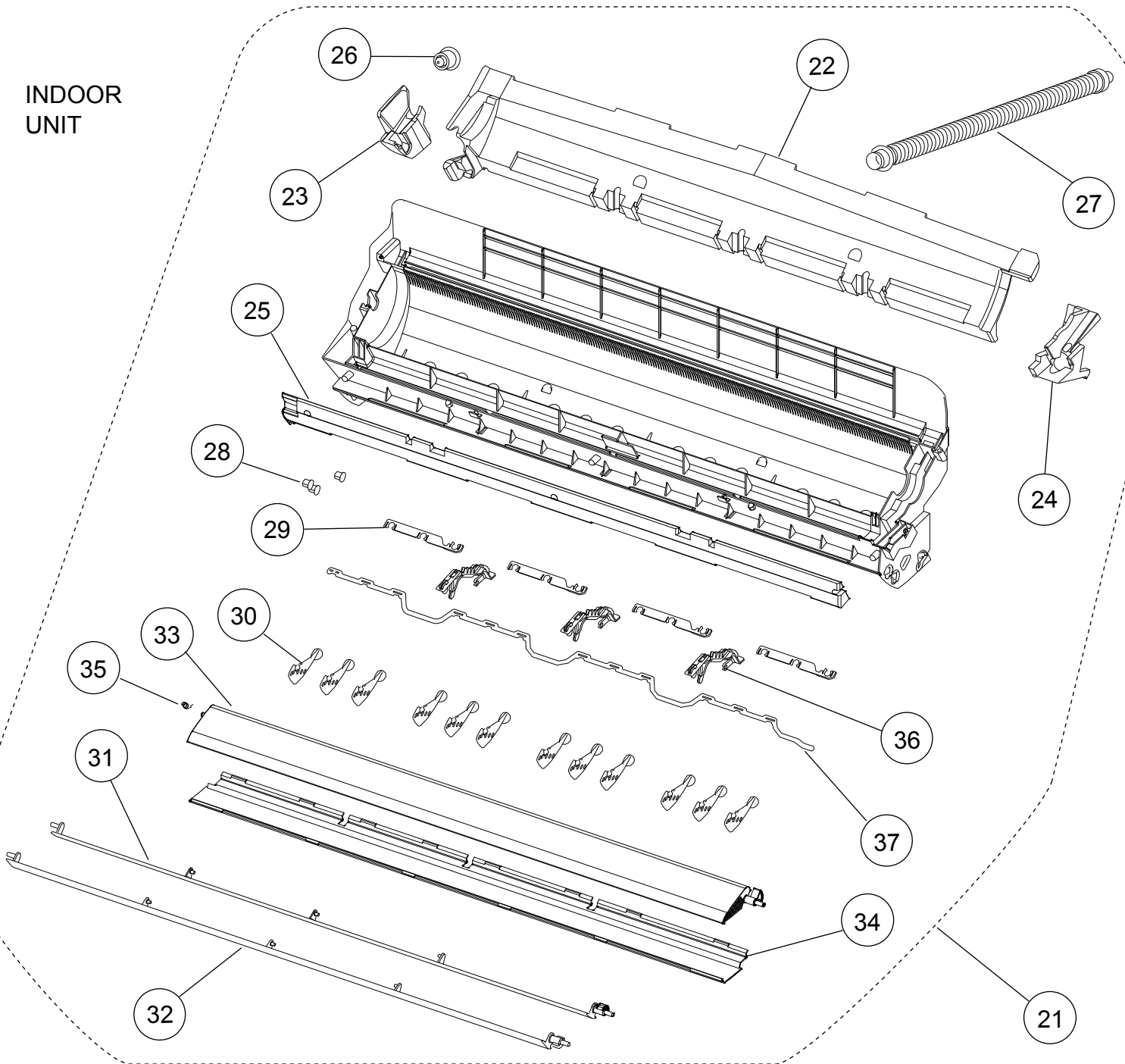
Ref	Description	Part number
7	Wire Clamper	9315015013
8	Room Thermistor Holder	9315252012
--	Bracket Panel	9315023018
--	Air Clean Filter Assy	9315212016
--	Remote	9315027160
--	Remote Holder	9305642045



INDOOR UNIT

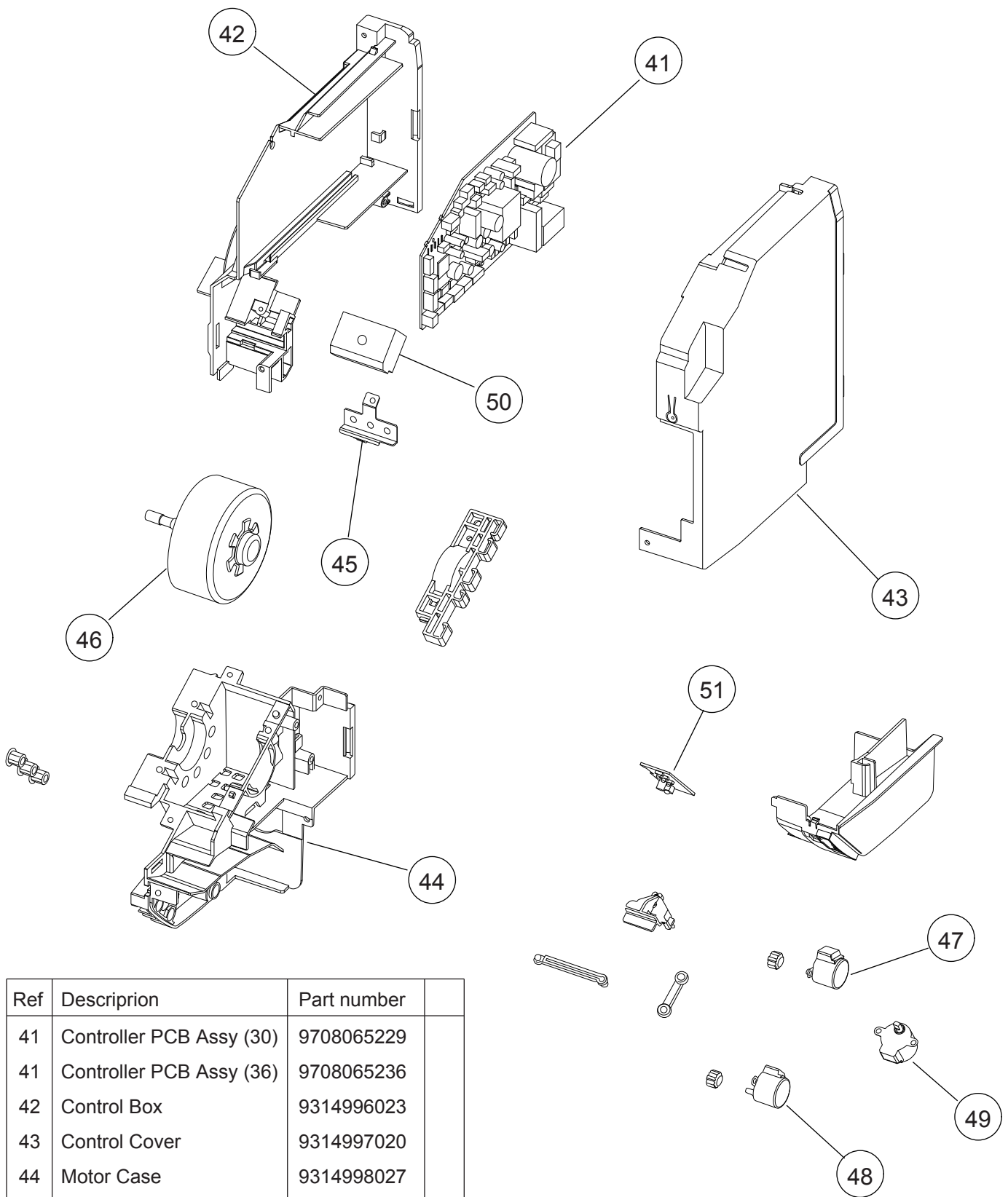
Ref	Description	Part number
11	Evaporator Total Assy	9315338020
12	Water Seal	9315251015
13	Evaporator Holder R	9314994012
14	Evaporator Holder L	9314995019
15	Rear Bracket	9315022011
16	Filter Guide	9315013019
17	Filter Guard	9315411013
18	Crossflow Fan Assy	9315024015
19	Bearing C Assy	9306628017

INDOOR UNIT



Ref	Description	Part number
21	Casing Assy	9315331045
22	Casing Cover B	9315016010
23	Casing Cover L	9315017017
24	Casing Cover R	9315018014
25	Casing Cover F	9315019011
26	Drain Cap	9367677009
27	Drain Hose Assy	9315769015
28	Bush B	9312156016
29	Spacer B	9312441013
30	R and L Louver	9311997016

Ref	Description	Part number
31	Louver U	9315000019
32	Louver Z	9315001016
33	Diffuser U	9315002013
34	Diffuser Z	9315003010
35	Spring C	9314142017
36	Pillar A	9315009012
37	Joint B	9315006011
--	Fan Guard	9305751051
--	Fan Guard Holder Right	9315814012
--	Fan Guard Holder Left	9315815019

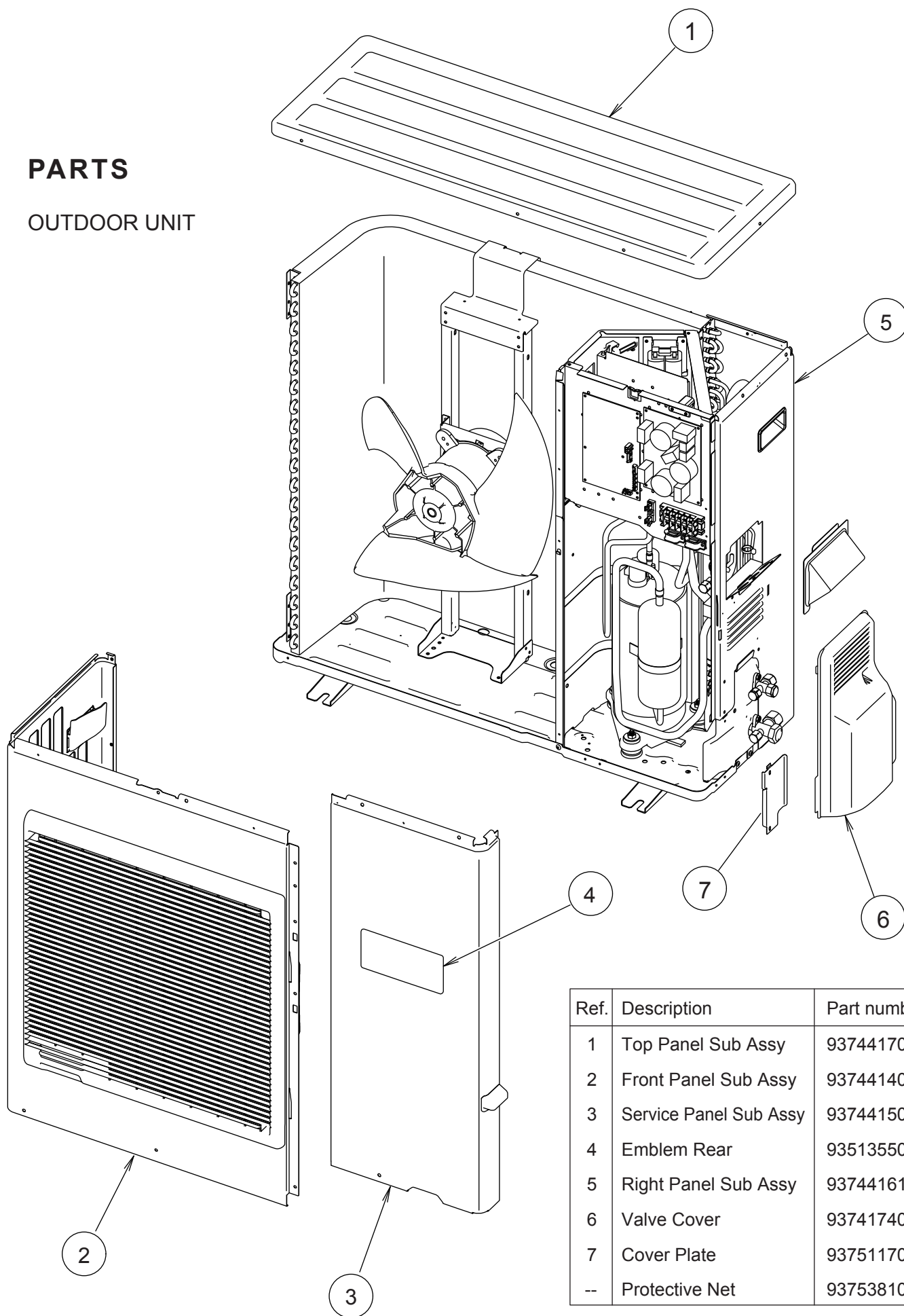


INDOOR UNIT

Ref	Description	Part number
41	Controller PCB Assy (30)	9708065229
41	Controller PCB Assy (36)	9708065236
42	Control Box	9314996023
43	Control Cover	9314997020
44	Motor Case	9314998027
45	Terminal Earth	9315028013
46	DC Brushless Motor (30)	9602784004
46	DC Brushless Motor (36)	9602703012
47	Motor, Step	9900384029
48	Motor, Step	9900384036
49	Motor, Step	9900139063
50	Terminal	9900447014
51	Indicator PCB Assy	9707210019
--	Pipe Thermistor	9900551018

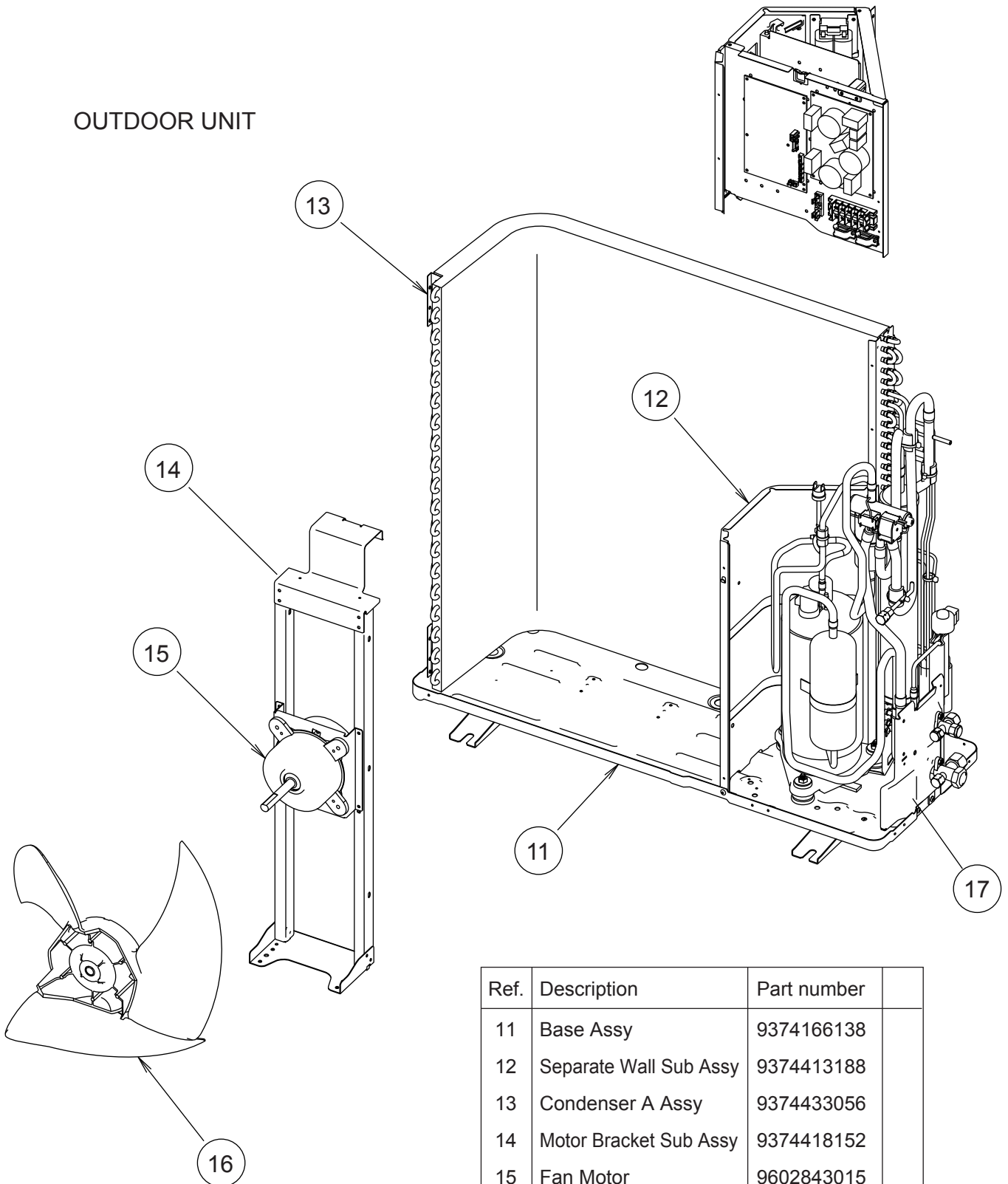
PARTS

OUTDOOR UNIT

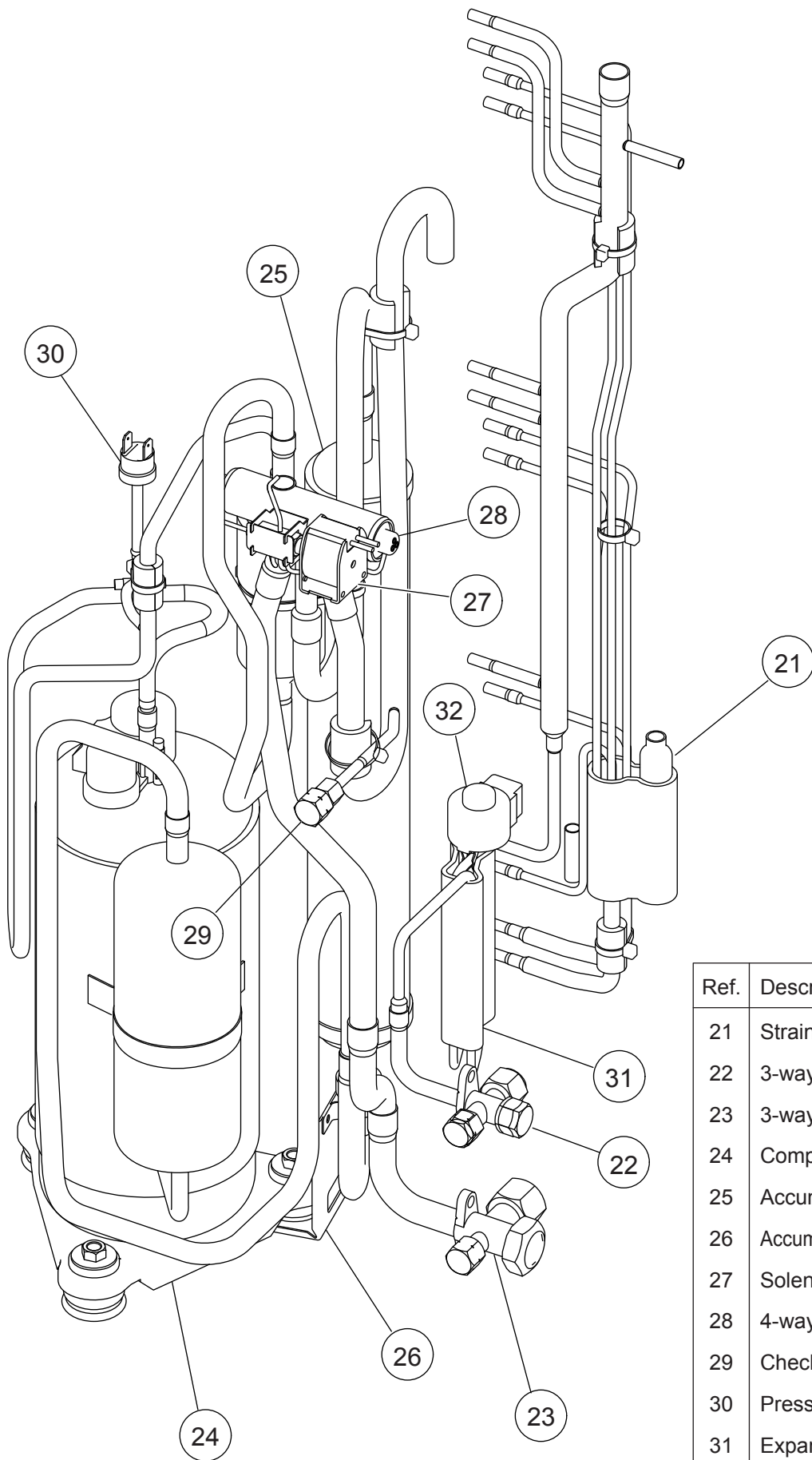


Ref.	Description	Part number
1	Top Panel Sub Assy	9374417032
2	Front Panel Sub Assy	9374414079
3	Service Panel Sub Assy	9374415052
4	Emblem Rear	9351355005
5	Right Panel Sub Assy	9374416134
6	Valve Cover	9374174010
7	Cover Plate	9375117016
--	Protective Net	9375381011

OUTDOOR UNIT



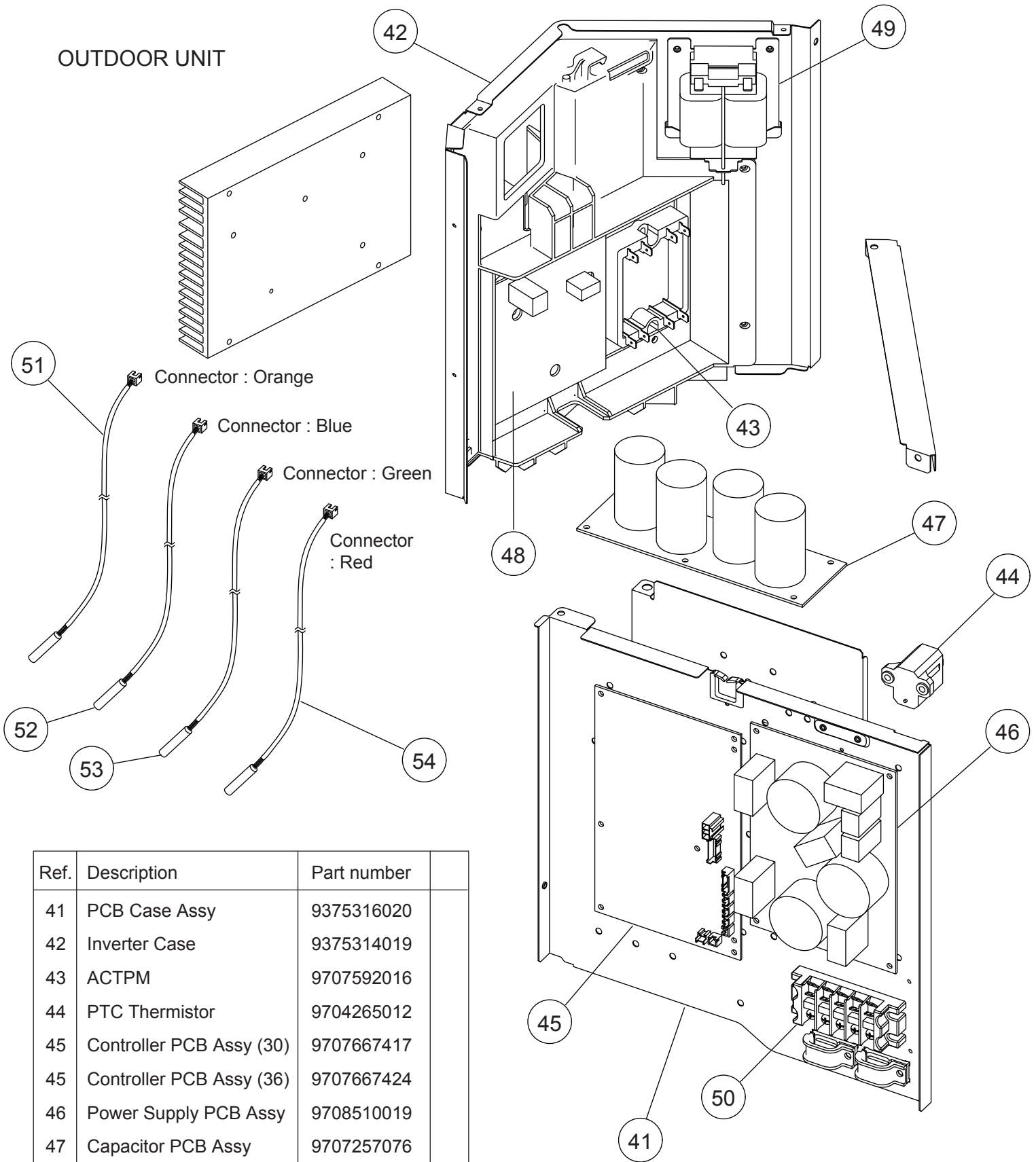
Ref.	Description	Part number
11	Base Assy	9374166138
12	Separate Wall Sub Assy	9374413188
13	Condenser A Assy	9374433056
14	Motor Bracket Sub Assy	9374418152
15	Fan Motor	9602843015
16	Propeller Fan Assy	9366378020
17	Valve Plate	9374099030



OUTDOOR UNIT

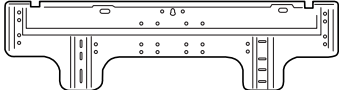




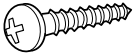

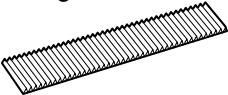
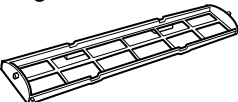
Ref.	Description	Part number
21	Strainer Assy	9372524015
22	3-way Valve Assy	9377958013
23	3-way Valve Assy	9377959010
24	Compressor Sub Assy	9810135001
25	Accumulator	9385005006
26	Accumulator Support Assy	9355351003
27	Solenoid	9970055034
28	4-way Valve Assy	9374425198
29	Check Joint Assy	9372802038
30	Pressure Switch	9900186012
31	Expansion Valve Assy	9370947144
32	Expansion Valve Coil	9970095030

OUTDOOR UNIT



Ref.	Description	Part number
41	PCB Case Assy	9375316020
42	Inverter Case	9375314019
43	ACTPM	9707592016
44	PTC Thermistor	9704265012
45	Controller PCB Assy (30)	9707667417
45	Controller PCB Assy (36)	9707667424
46	Power Supply PCB Assy	9708510019
47	Capacitor PCB Assy	9707257076
48	Transistor PCB Assy	9707669121
49	Choke Coil	9900223014
50	Terminal	9900203023
51	Discharge Thermistor	9900461003
52	Outdoor Thermistor	9900463007
53	Compressor Thermistor	9900466015
54	Heat Exchanger Thermistor	9900514013

ACCESSORIES

Name and Shape	Part number
Wall hook bracket 	9315023018
Remote control 	9315027160
Remote control holder 	9305642045
Battery (penlight) 	0600185534
Cloth tape 	9310519004
Tapping screw (big) 	0700076046
Tapping screw (small) 	0700019036
Air cleaning filter 	9312153060 9311925071
Air cleaning filter frame 	9368568009

1010G3837