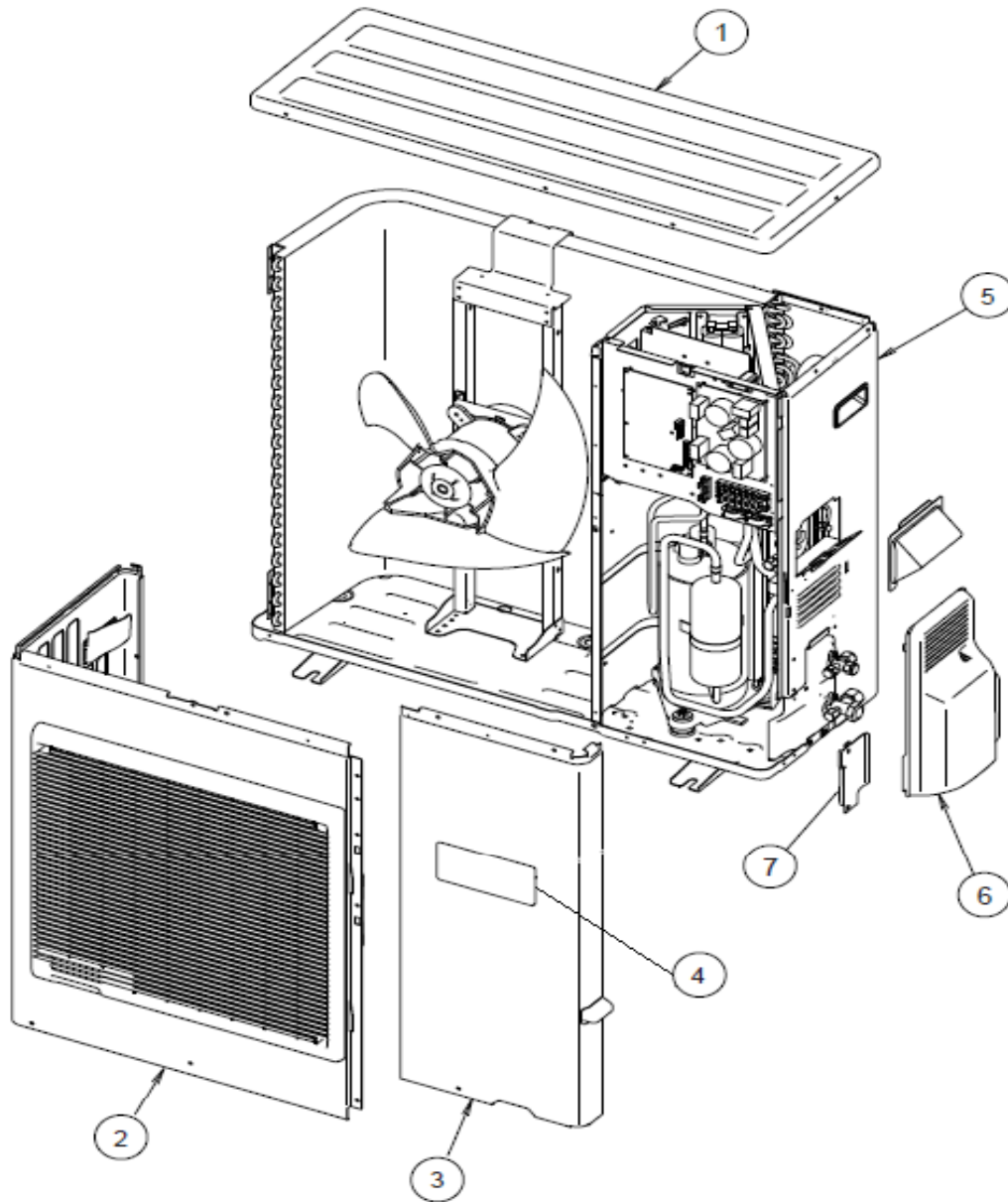
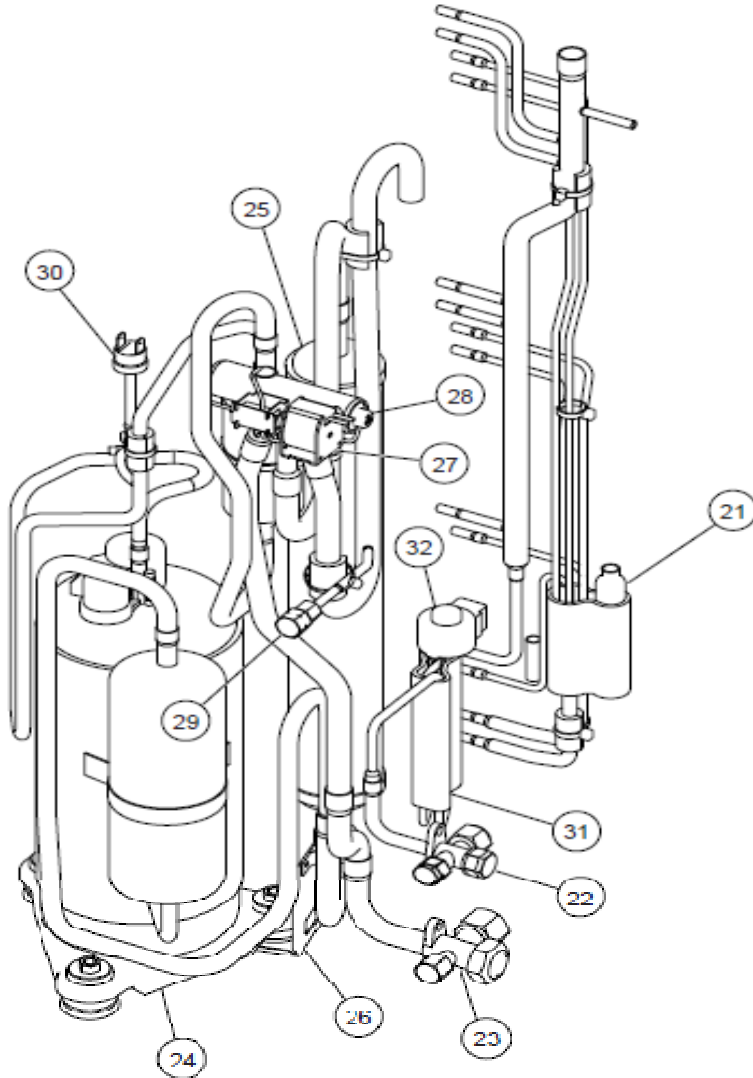


## AOU36CLX1 - CABINETRY



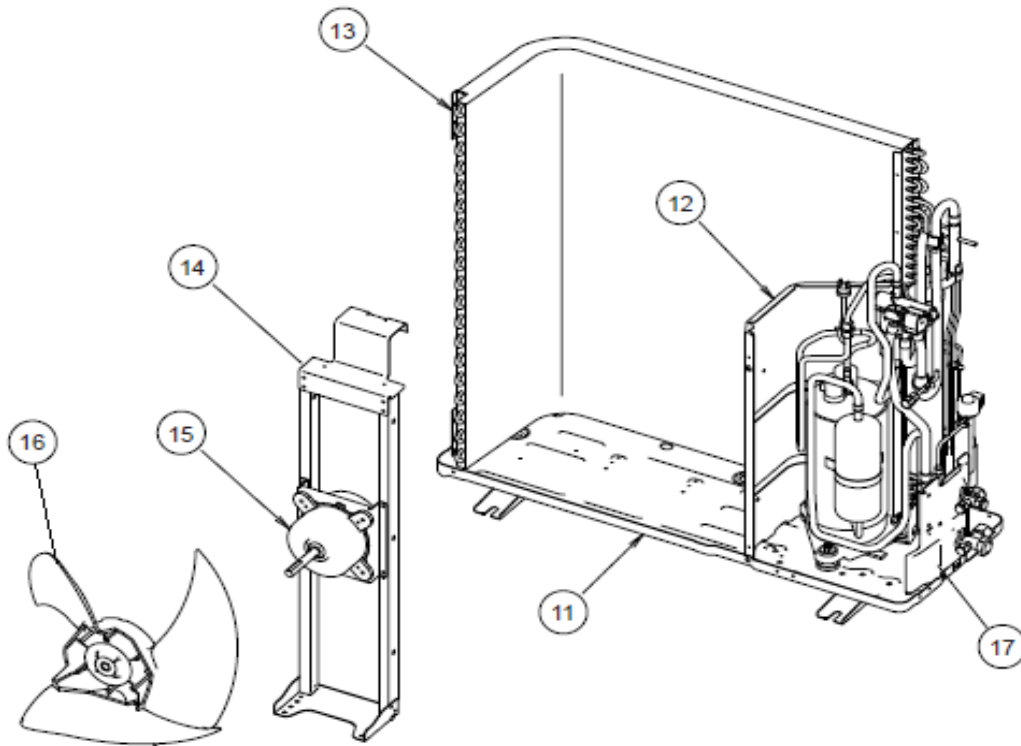
Bubble #	Part#	Description
1	K9374417032	TOP PANEL SUB ASSY 410 RAC+ RLXS/RLXFW
2	K9374414079	FRONT PANEL RLXS SASB86
3	K9374415052	SERVICE PANEL RAC+RLXS SAR521
4	K9351355005	EMBLEM REAR RPAC/RLXS 'FUJITSU' RIGHT PANEL R521 410iRAC NLA W/GRIP AND PLATES Replaced by: K9374095148
5	K9374416134	
6	K9374174010	VALVE COVER RAC+RLXS PLASTIC BEIGE PP(1YR05)
7	K9375117016	COVER PLATE RAC+RLXS
A	K9375381011	PROTECTION NET 410 RPAC+ R521 SWM-B

## AOU36CLX1 - COMPRESSOR ASSY



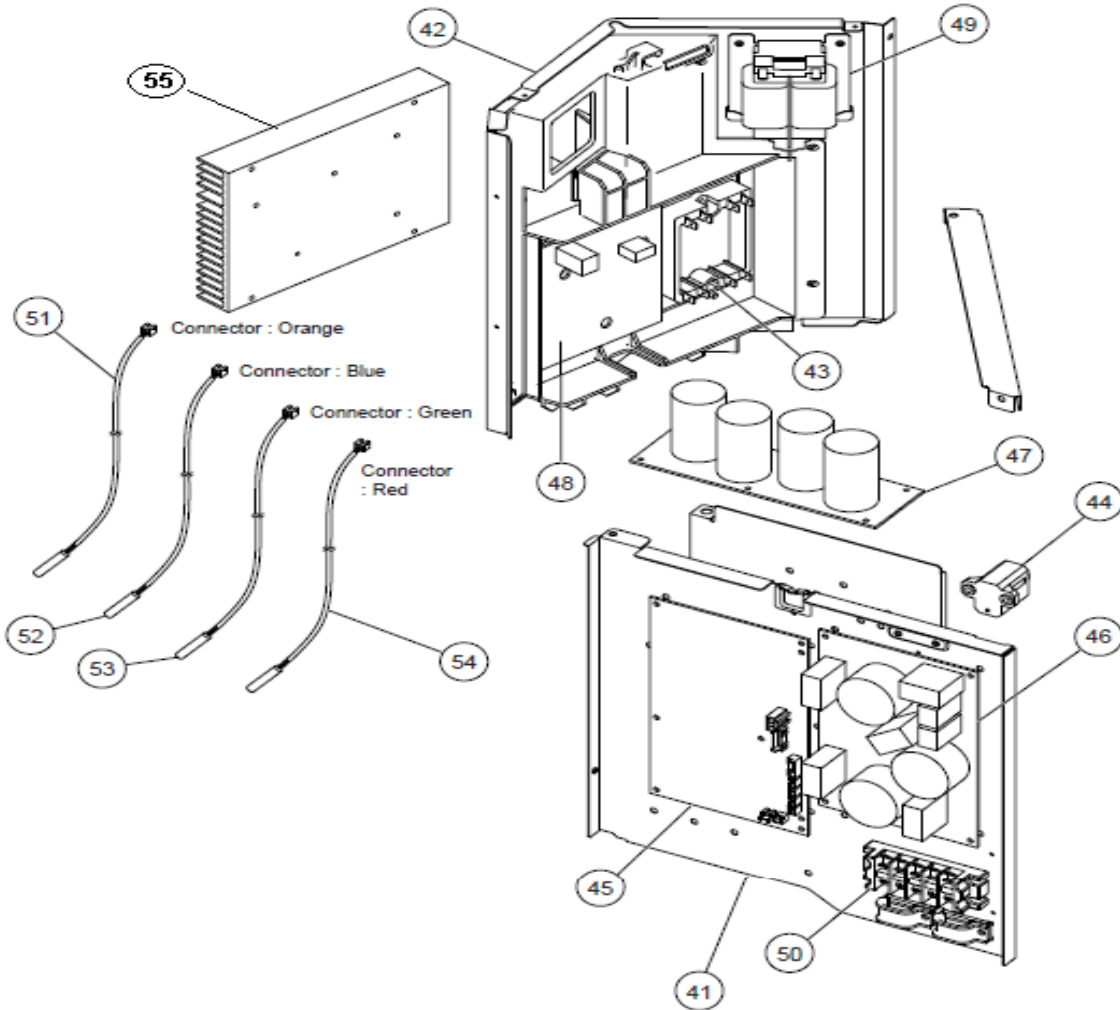
Bubble #	Part#	Description
21	K9372524015	STRAINER RAC+RLXS# C1220TS-H OD19.05 T1.0
22	K9377958013	VALVE 3 WAY RAC+RLXS/FW# 3/8' LIQUID NB29 FJ-189-DG8
23	K9374470044	VALVE 3 WAY RLXS/FW# 5/8' GAS
24	K9810135001	COMPRESSOR RLXFW N-TF30ND1A
25	K9385005006	ACCUMULATOR 410RAC+RLXS
26	K9355351003	BRACKET ACCUMULATOR 30/36CLX1# METAL Replaces: K313986353804
27	K9970055034	SOLENOID RAC RLXFW-S SQ-1083 L420
28	K9374425198	VALVE 4 WAY ASSY 18/24FW# DW W/PIPES 22'x12'x10'
29	K9372802038	CHECK VALVE JOINT ASSY RLXS TCJ-2GKGT-3
30	K9900186012	PRESSURE SW A (1) Hi RPAC+XLS ACB-4TB12
31	K9370947168	EXPANSION VALVE ASSY 410 RAC+ BRAZING Replaces: K9370947144
32	K9970095016	COIL EXPANSION VALVE# CAM-MD12KG-303 L=700 Replaces: K9970095030

## AOU36CLX1 - CONDENSER & FAN ASSY



Bubble #	Part#	Description
11	K9374166138	BASE ASSY 410 30/36CLX MCM-K Replaces: K9374166145
12	K9374413188	SEPARATE WALL 410iRAC RLXS SB86
13	K9374433056	CONDENSER A ASSY 410i RAC+RLXS
14	K9374418152	MOTOR BRACKET RAC RLXS
15	K9602843015	MOTOR DC BRUSHLESS RLXS HFI# MFE-60TVT FGA DC380V 100W 8P
16	K9366378020	PROPELLER FAN RLXSRPAC HFI# 440-L2BID 12
17	K9374099030	VALVE PLATE R547 RAC+RLXS SGCC-Z-CF-X Z22 T1.2

## AOU36CLX1 - ELECTRICAL ASSY



Bubble #	Part#	Description
41	K9375316020	CASE RAC+LXS METAL
42	K9375314019	CASE INVERTER RLX* METAL SGCC-Z-CF-X Z22 TP/7
43	K9707592016	ACTPM RLX*/CLX1 PM-601BSG 100/LOT
44	K9704265012	POSISTOR PTC THERMISTOR R410# ZPRO YCE400A 300 RLXS
45	K9707667424	CONTROLLER PCB AOU36CLX1# K07BS-100BWUE-C1
46	K9708510019	POWER FILTER PCB RLXS/FW# K09DH-0900HUE-FLO
47	K9707257076	CAPACITOR PCB RAC+RLXS# K05FB-0903HUE-P0
48	K9707669121	IPM PCB (TR) RAC RLX*/CLX1# K07BT-0906HUE-TRO
49	K9900223014	COIL CHOKE RLX*/CLX1 30A0.32MH
50	K9900203023	TERMINAL 5P RAC+RLXS# HP-T3061-3-5P
51	K9900461003	DISCHARGE THERMISTOR RAC RLXFW PTM-51G-F3-*
52	K9900463007	THERMISTOR OUT TEMP RLXFW-S KTEC-41-*
53	K9900466015	THERMISTOR (COMP) RAC RLXFW PTM-51G-F7-2
54	K9900514013	THERMISTOR HEAT EXCH RAC+RLFW PTM-41F-F12-1
55	K9378530010	HEAT SINK SB86 RLXFW A6063S 190X135X40
WIRE ACTPM	K9708549019	WIRE W/CONNECTOR ACTPM 06/04 PH/GIC 1430 L=280