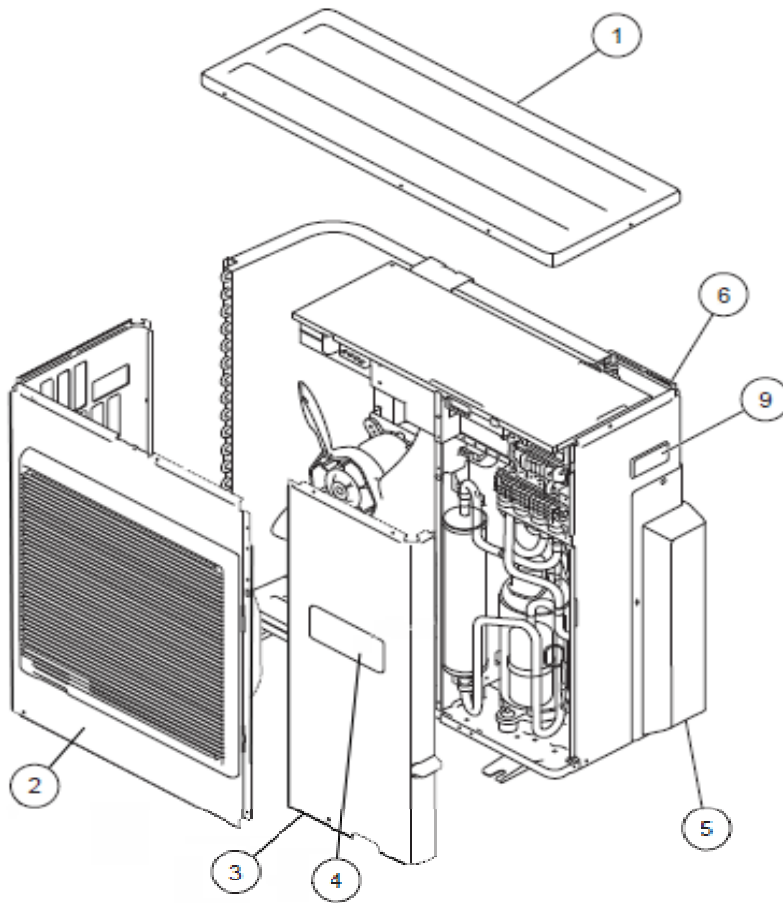
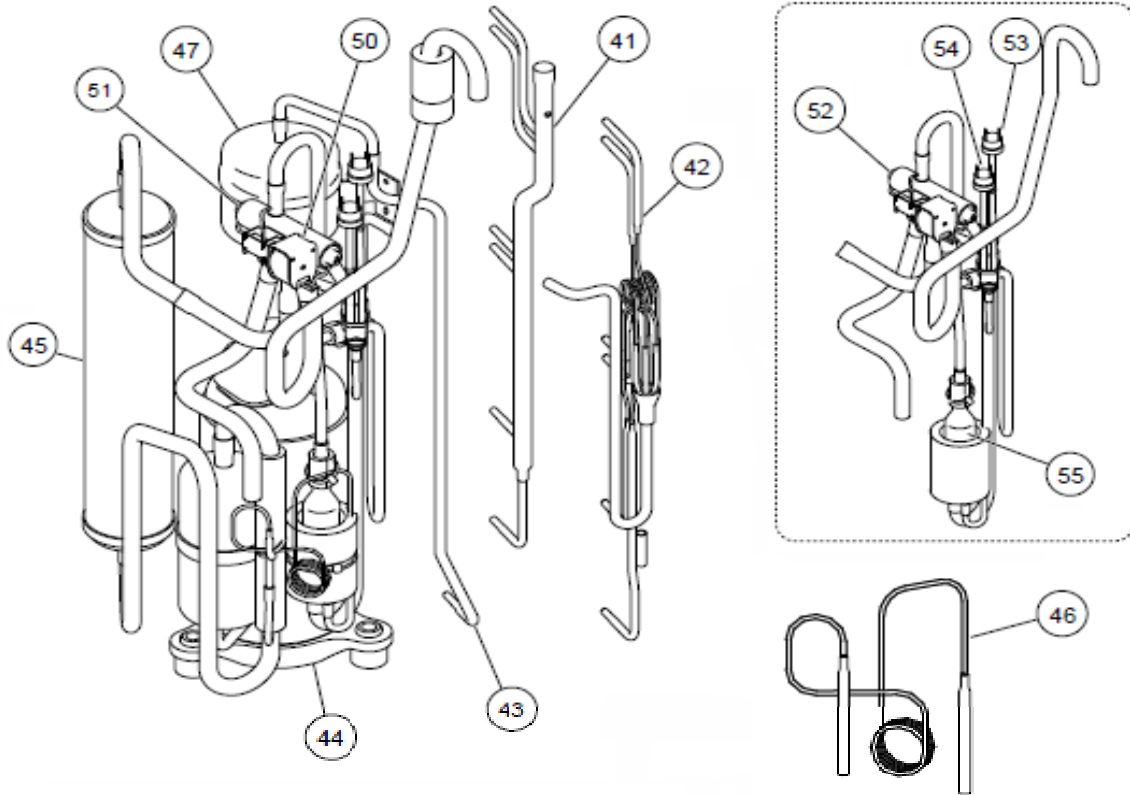


AOU36RLXFZ - CABINETRY



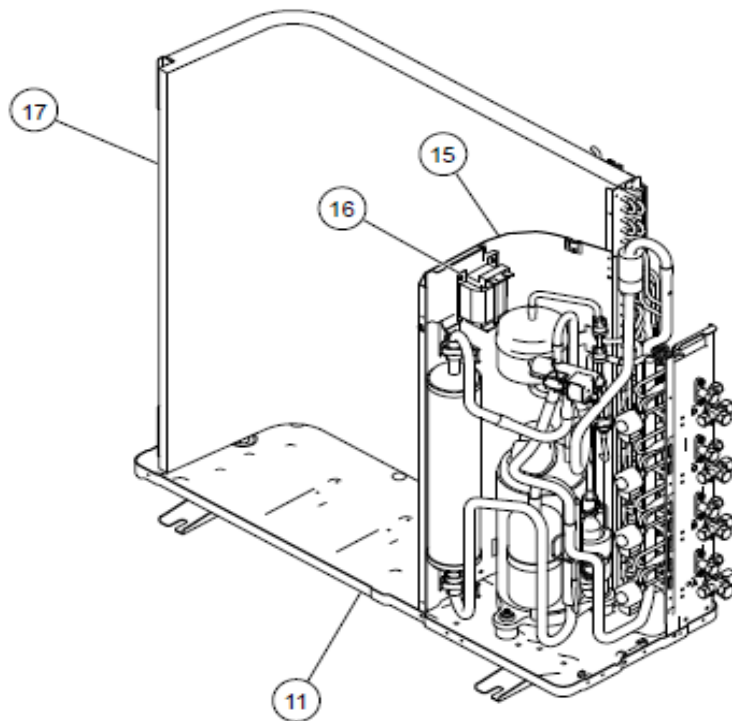
Bubble #	Part #	Description
1	K9374417025	TOP PANEL RPAC+ DW BEIGE
2	K9374414116	FRONT PANEL SUB ASSY 36RLXFZ WA36
3	K9374415038	SERVICE PANEL 410 PAC+ PANEL 1YR05 (BEIGE)
4	K9351355005	EMBLEM REAR RPAC/RLXS 'FUJITSU'
5	K9374827015	VALVE COVER SUB ASSY 410PAC+#
6	K9374599066	RIGHT PANEL 410 RPAC# PAINTED BEIGE 1YR05
9	K9374172016	GRIP 410 PAC+ PP 1YR05 BEIGE
A	K9375174026	CONDUIT PLATE AOU**RLXFZ METAL PAINTED
B	K9375381011	PROTECTION NET RPAC+ DW R521 SWM-B
C	K9303029022	DRAIN PIPE L-TYPE 410 ALL# WITH GASKET Replaces: K9301102000,K9303029015
D	K313166024302	DRAIN CAP RPAC+HFI# RUBBER

AOU36RLXFZ - COMPRESSOR



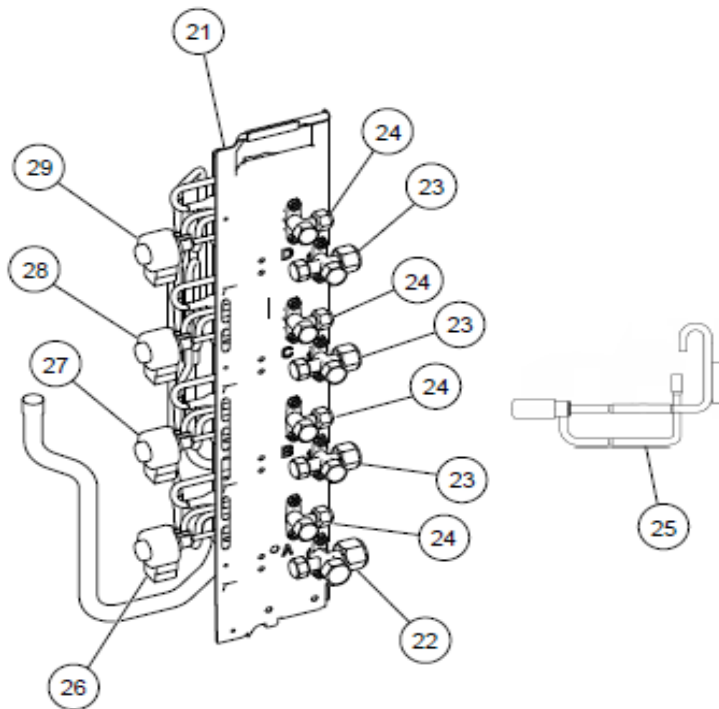
Bubble #	Part #	Description
41	K9373461067	INLET PIPE COND A ASSY PRAC+# BRAZING
42	K9374266067	OUT PP (CND) A ASSY 36RML*
43	K9372232057	CONDENSING PP A 36RML1 C1220T-0 0D9.52 TO.7 L942
44	K9377946010	COMPRESSOR ASSY PAC+HFI# SCI TNB220FPBMT ROTARY 230V Replaces: K9374423194,K9373711018,K9374423064
45	K9374426072	ACCUMULATOR SUB ASSY 410 PAC+
46	K9372197370	CAPILLARY ASSY 410PAC+
47	K9373426028	RECEIVER TANK SA 36RML*
50	K9900165055	SOLENOID 410 RPAC+ SQ-514
51	K9374425204	VALVE 4 WAY 36RLXFZ# DW BRAZING 11'x26'x7'
52	K9900164010	VALVE 4 WAY RLXS HFI# SHF-11H-45D1-01 5'x5'x3'
53	K9900186012	PRESSURE SW A (1) Hi RPAC+XLS ACB-4TB12 PRESSURE SW B (2) RPAC+XLS ACB-4TB13 Replaces:
54	K9900341015	K9900312015
55	K9372264225	DISCHARGE PIPE ASSY PAC+HFI BRAZING RO

AOU36RLXFZ - CONDENSER



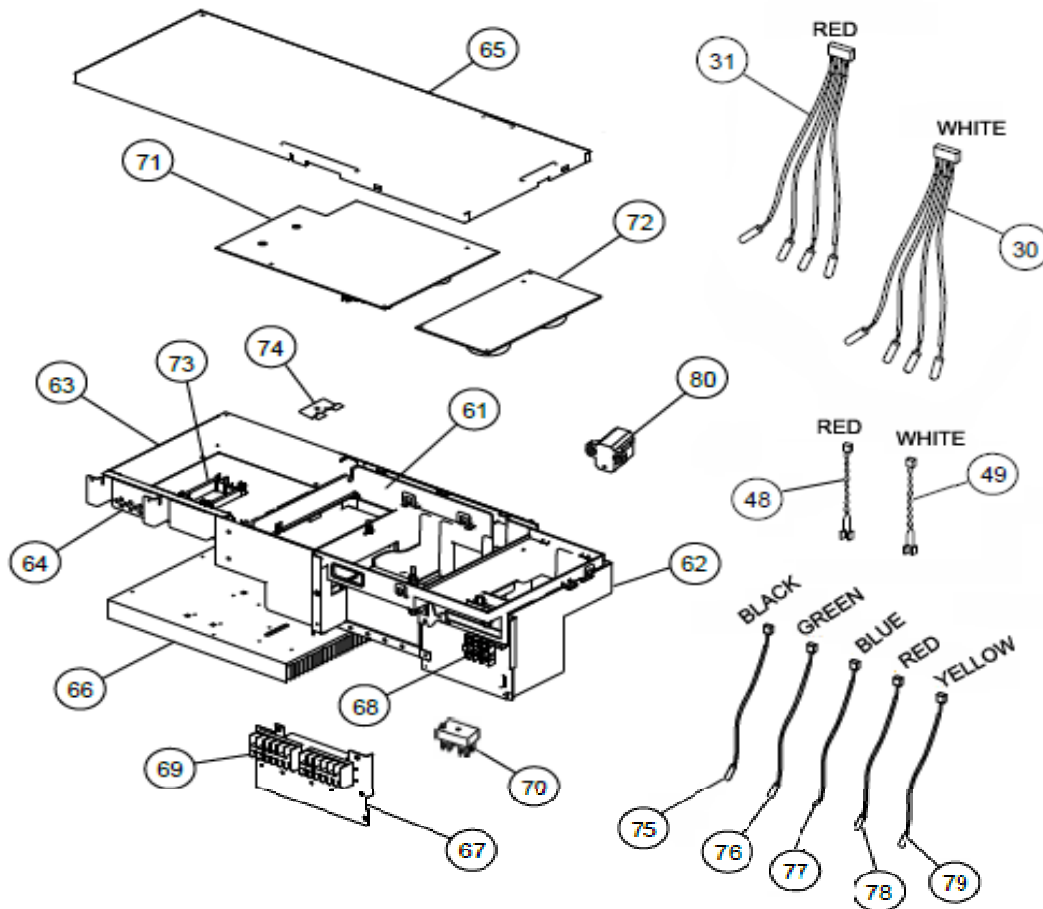
Bubble #	Part #	Description
11	K9374166183	BASE ASSY 410 RPAC+ PAINTED
15	K9375226015	SEPARATE WALL RPAC+410 DW METAL
16	K9900366018	COIL CHOKE 410 RPAC+# TTFFG05401 30A 0.32MH
17	K9374433148	CONDENSER ASSY RPAC+# DW 31.5'x29.25' 4 ports

AOU36RLXFZ - EEV & COILS



Bubble #	Part #	Description
21	K9374628087	VALVE PLATE A PAC+ HFI METAL PAINTED BEIGE
22	K9375104016	VALVE 3 WAY PAC HFI# 1/2'
23	K9375103019	VALVE 3 WAY PAC HFI# 3/8'
24	K9375102012	VALVE 2 WAY PAC+HFI# WITH CAP/FLARE NUT
25	K9378321014	EXPANSION VALVE ASSY 410 PAC BRAZING 2 PCS. Replaces: K9370947151, K9370947106
26	K9970101069	COIL EXPANSION VALVE A=RED# CAM-MD12KG-406 L=1000 Replaces: K9900057084
27	K9970101038	COIL EXPANSION VALVE B WHITE# CAM-MD12KG-403 L=700 Replaces: K9900057053
28	K9970101045	COIL EXPANSION VALVE C=GREEN# CAM-MD12KG-404 L=600 Replaces: K9900057060
29	K9970101052	COIL EXPANSION VALVE BLUE# CAM-MD12KG-405 L=500 Replaces: K9900057077

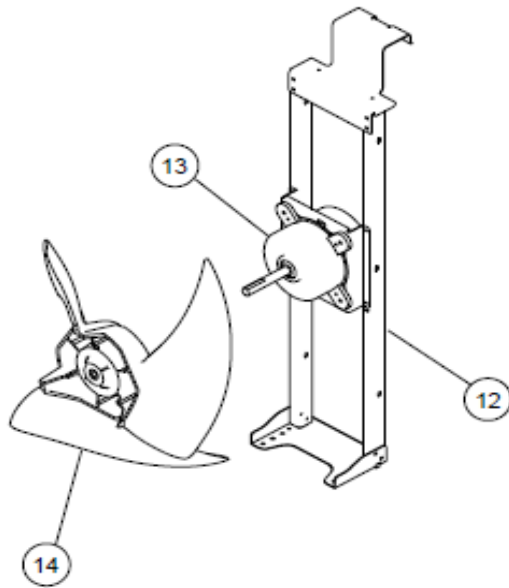
AOU36RLXFZ - ELECTRICAL



Bubble #	Part #	Description
30	K9900543020	THERMISTOR VALVE PIPE PAC HFI DTN-FTZ131Y WHITE Replaces: K9900373030
31	K9900543013	THERMISTOR PIPE RED PAC+ HFI DTN-FTZ130Y Replaces: K9900373023
48	K9367595037	WIRE PRESSURE SWITCH 410PAC JD94 UL1430 AWG22 RED
49	K9367595044	WIRE PRESSURE SWITCH WHITE L942 UL1430 AWG22
61	K9374603015	INVERTER BOX A RPAC+
62	K9374625048	INVERTER BOX B ASSY AOU24RLXFZ
63	K9374605026	INVERTER BOX C PAC+ # BLACK PLASTIC SGCCZ-C-XZ2 TO.7
64	K9374609017	INVERTER BOX DUCT RPAC+ SGCC Z-C-X Z22 TO.7
65	K9374608010	INVERTER BOX COVER PAC+ SGCCZ-C-XZ22 TO.5
66	K9374607020	HEAT SINK B PAC+ HFI A6063S
67	K9374606047	INVERTER BOX D AOU24RLXFZ SGCC-Z-CF-X Z22 TO.7
68	K9900203016	TERMINAL 3P 410PAC+ HP-T3061-3-3P
69	K9900016036	TERMINAL 6P 410PAC+ HP-T3036

70	K9900433017	TERMINAL 3P 410PAC+ HP-T4005-31
71	K9708013381	INVERTER CONTROL PCB 36RLXFZ# K08BH-1005HUE-C1
72	K9705647206	POWER FILTER PCB AOU36RLXFZ# K04BA-1003HUE-P0
73	K9703457012	ACTPM 410i RPAC+HFI# SACT32010F1
74	K9372797013	HOLDER (THERMO) 410 RPAC+ SUS304 CSP-H TO.5
75	K9900311018	HEATSINK THERMISTOR BLACK KTM-34I-F11-1
76	K9900156022	THERMISTOR COMPRESSOR RPAC+HFI RED 410i THERMISTOR OUTDOOR PAC HFI DTN-C103H4C-FTZ123B BLACK
77	K9900477035	Replaces: K9900378035
78	K9900540005	THERMISTOR HEAT EXCH PAC+HFI DTN-C492H3T-FTZ124B RED Replaces: K9900374020
79	K9704219114	THERMISTOR DISCHARGE YELLOW RAC+410 Replaces: K9900621001
80	K9704265012	POSISTOR PTC THERMISTOR R410# ZPRO YCE400A 300 RLXS

AOU36RLXFZ - FAN MOTOR ASSY



Bubble #	Part #	Description
12	K9374418091	MOTOR BRACKET SA 410 RPAC+
13	K9379853002	MOTOR DC W/SCREW/INST 410 PAC+ MFE-45VVT 100W 380V Replaces: K9602114016,K9602843039
14	K9366378020	PROPELLER FAN HFI# DW 440-L2BID 12