



# SUBMITTAL COVER SHEET

PROJECT NAME \_\_\_\_\_  
 LOCATION \_\_\_\_\_  
 ARCHITECT \_\_\_\_\_  
 ENGINEER \_\_\_\_\_  
 CONTRACTOR \_\_\_\_\_  
 SUBMITTED BY \_\_\_\_\_ DATE \_\_\_\_\_

## UNIT SUMMARY

Quantity						
Unit Designation						
Model No.						
Total Cooling						
Sensible Cooling						
Air Ent. Evaporator						
Air Lvg. Evaporator						
Heating Input						
Heating Output						
CFM/ESP						
EER/SEER						
Electrical						
Minimum Ampacity						
Min.-Max. Breaker						
Net Unit Weight						
Accessory						
Catalog Form Number						

**ACCESSORIES:**

**NOTES:**



# SUBMITTAL SHEET FOR REMOTE OUTDOOR HEAT PUMPS:

**(-)PPL- JEZ, 14 SEER MODELS, 1 1/2-5 TONS [5.28-17.6 kW]**  
**(-)PNL- JEZ, 13 SEER MODELS, 2-5 TONS [7.03-17.6 kW]**

JOB NAME \_\_\_\_\_ LOCATION \_\_\_\_\_  
 CONTRACTOR \_\_\_\_\_ ORDER NO. \_\_\_\_\_  
 ENGINEER \_\_\_\_\_ SUBMITTED FOR  APPROVAL  RECORD  
 DATE \_\_\_\_\_  
 MODEL NO. \_\_\_\_\_  
 AIR HANDLER MODEL NO. \_\_\_\_\_  
 INDOOR COIL MODEL NO. \_\_\_\_\_

**Equipped with  
the Award Winning  
Comfort Control System™**



- Increased Reliability
- Fault Recall
- On-Board Diagnostics
- Active Protection™

### UNIT DATA

#### COOLING PERFORMANCE

EFFICIENCY ..... SEER  
 TOTAL CAPACITY\* ..... MBH [kW]  
 SENSIBLE CAPACITY\* ..... MBH [kW]  
 OUTDOOR DESIGN TEMP. .... °F [°C] DB  
 TEMP. OF AIR ENTERING  
 EVAPORATOR COIL ..... °F [°C] DB  
 °F [°C] WB  
 POWER INPUT REQUIREMENT ..... kW  
 (\*uses blower motor heat)

#### HEATING PERFORMANCE

EFFICIENCY ..... HSPF  
 TOTAL CAPACITY\* ..... MBH [kW]  
 OUTDOOR DESIGN TEMP. .... °F [°C] DB  
 TEMP. OF AIR ENTERING  
 EVAPORATOR COIL ..... °F [°C] DB  
 POWER INPUT REQUIREMENT ..... kW  
 (\*uses blower motor heat)

#### SUPPLY AIR BLOWER PERFORMANCE

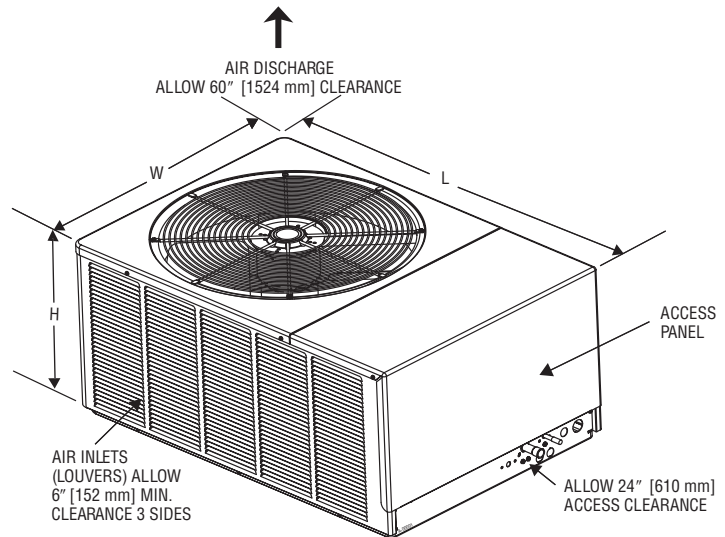
TOTAL AIR SUPPLY ..... CFM [L/s]  
 TOTAL RESISTANCE EXTERNAL  
 TO UNIT ..... IWG  
 BLOWER SPEED ..... RPM  
 POWER OUTPUT REQUIREMENT .. BHP  
 MOTOR RATING ..... HP [W]  
 POWER INPUT REQUIREMENT ..... kW

#### ELECTRICAL DATA

POWER SUPPLY ..... / /  
 TOTAL UNIT AMPACITY ..... AMPS  
 MINIMUM WIRE SIZE ..... AWG  
 MAXIMUM OVERCURRENT DEVICE  
 FUSES/HACR BREAKER ..... AMPS

#### CLEARANCES

SERVICE ACCESS 24" [609.6 mm]  
 AIR INLETS 6" [152.4 mm]  
 ABOVE UNIT 60" [1524 mm]

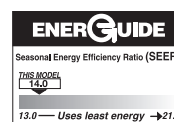
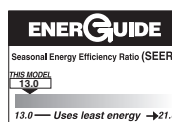


#### DIMENSIONS

Model Number (-)PPL-	Height "H" (Inches) [mm]	Length "L" (Inches) [mm]	Width "W" (Inches) [mm]
018JEZ/024JEZ	19 [482.6]	40 1/2 [1031.2]	27 5/8 [701.7]
030JEZ	29 [736.6]	44 3/8 [1127.1]	31 1/2 [800.1]
036JEZ/042JEZ/ 048JEZ/060JEZ	33 [838.2]	44 3/8 [1127.1]	31 1/2 [800.1]

Model Number (-)PNL-	Height "H" (Inches) [mm]	Length "L" (Inches) [mm]	Width "W" (Inches) [mm]
024JEZ	19 [482.6]	44 3/8 [1127.1]	31 1/2 [800.1]
030JEZ	29 [736.6]	44 3/8 [1127.1]	31 1/2 [800.1]
036JEZ/042JEZ/ 048JEZ/060JEZ	33 [838.2]	44 3/8 [1127.1]	31 1/2 [800.1]

[ ] Designates Metric Conversions



**FEATURES FOR (-)PPL/(-)PNL- JEZ REMOTE HEAT PUMPS**

- The *Comfort Control System*™ provides on-board diagnostics and fault history for heat pumps with single-phase compressors by detecting system and electrical problems without adding sensors. It can also communicate “fault codes” to enabled “L terminal” thermostats. The integrated diagnostics with *Active Protection* prevents compressor operation when potentially harmful conditions are detected.
- Features an exclusive 7-Segment LED Display. The information-display quickly and accurately shows technicians the source of malfunctions.
- Scroll Compressor
- Copper Tube/Aluminum Fin Coils
- Powder painted louvered steel cabinet protects the coil from damage
- Internal Check Valve
- Enhanced Compressor Protection
- Manual Reset High Pressure Control
- Drawn Painted Base Pan
- Hard Start Components
- Non-Cycling Reversing Valve
- Hot Gas Muffler
- Bi-Directional Filter Drier (shipped – not installed)
- Service Valves
- TEV Refrigerant Metering

- Demand Defrost Control
- All refrigerant connections are on the exterior of the unit, located close to the ground for neat appearing installations
- Coil design permits compressor operation with the access panel removed
- Control box is fully accessible in the upper part of the cabinet
- Power and control wiring are kept separate
- Certified and rated under ARI Standard 240
- U.L. listed
- Factory run tested prior to shipment
- Factory limited warranty as follows:  
 Condenser Coil leaks caused by  
   factory defects .....Five (5) Years  
 Compressor  
   JEZ Models .....Ten (10) Years  
   Any Other Part.....Five (5) Years

**(-)PPL- JEZ/(-)PNL- JEZ Conditional Replacement Warranty:**

A replacement model will be provided (if an exact replacement is not available, an equivalent product will be provided) to the original purchaser if the compressor fails within 5 years. See product warranty card for additional information.

**FIELD INSTALLED ACCESSORIES**

- |                                 |                          |                                   |                          |
|---------------------------------|--------------------------|-----------------------------------|--------------------------|
| Low Ambient Control .....       | <input type="checkbox"/> | Fossil Fuel Kit .....             | <input type="checkbox"/> |
| Thermostats .....               | <input type="checkbox"/> | Compressor Crankcase Heater ..... | <input type="checkbox"/> |
| Blower Time Delay Control ..... | <input type="checkbox"/> |                                   |                          |

**SPECIAL NOTES ON EQUIPMENT:**

**Before proceeding with installation, refer to installation instructions packaged with each model, as well as complying with all Federal, State, Provincial, and Local codes, regulations, and practices.**

RHEEM  
 MANUFACTURING  
 COMPANY  
 5600 Old Greenwood Road, Fort Smith, Arkansas 72908

*“In keeping with its policy of continuous progress and product improvement, Rheem reserves the right to make changes without notice.”*