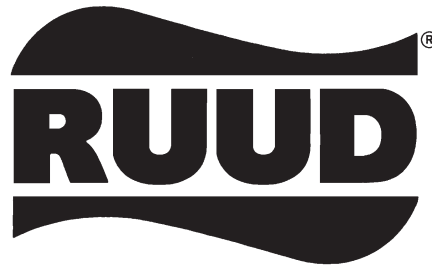


GAS FURNACES



ACHIEVER SERIES® SUPER QUIET 80 80% A.F.U.E.† DOWNFLOW GAS FURNACES

The Ruud Achiever Series® Super Quiet 80 line of downflow gas furnaces is designed for installation in closets, alcoves, utility rooms, or attics. The design is certified by CSA International.

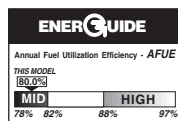
Features

- Innovative design results in reliable, efficient operation at sound levels which provide distinct competitive advantage.
- Patented heat exchanger, constructed of both stainless and aluminized steel for the maximum in corrosion resistance.
- Low profile "34 inch" [864 mm] design is lighter and easier to handle, and leaves room for optional equipment.
- Left or right side gas and electric inlet connections with quick, simple change.
- Direct Spark ignition.
- Integrated board with humidifier and electronic air cleaner hookups.
- Insulated blower compartment helps to reduce jacket loss and noise.
- Pre-paint galvanized steel cabinet.
- Molded permanent filter.
- Grab-holes in doors to aid in easy door removal and replacement.

A variety of cooling coils and plenums designed to use with Ruud Achiever Series® Super Quiet 80 gas furnaces are available as optional accessories.

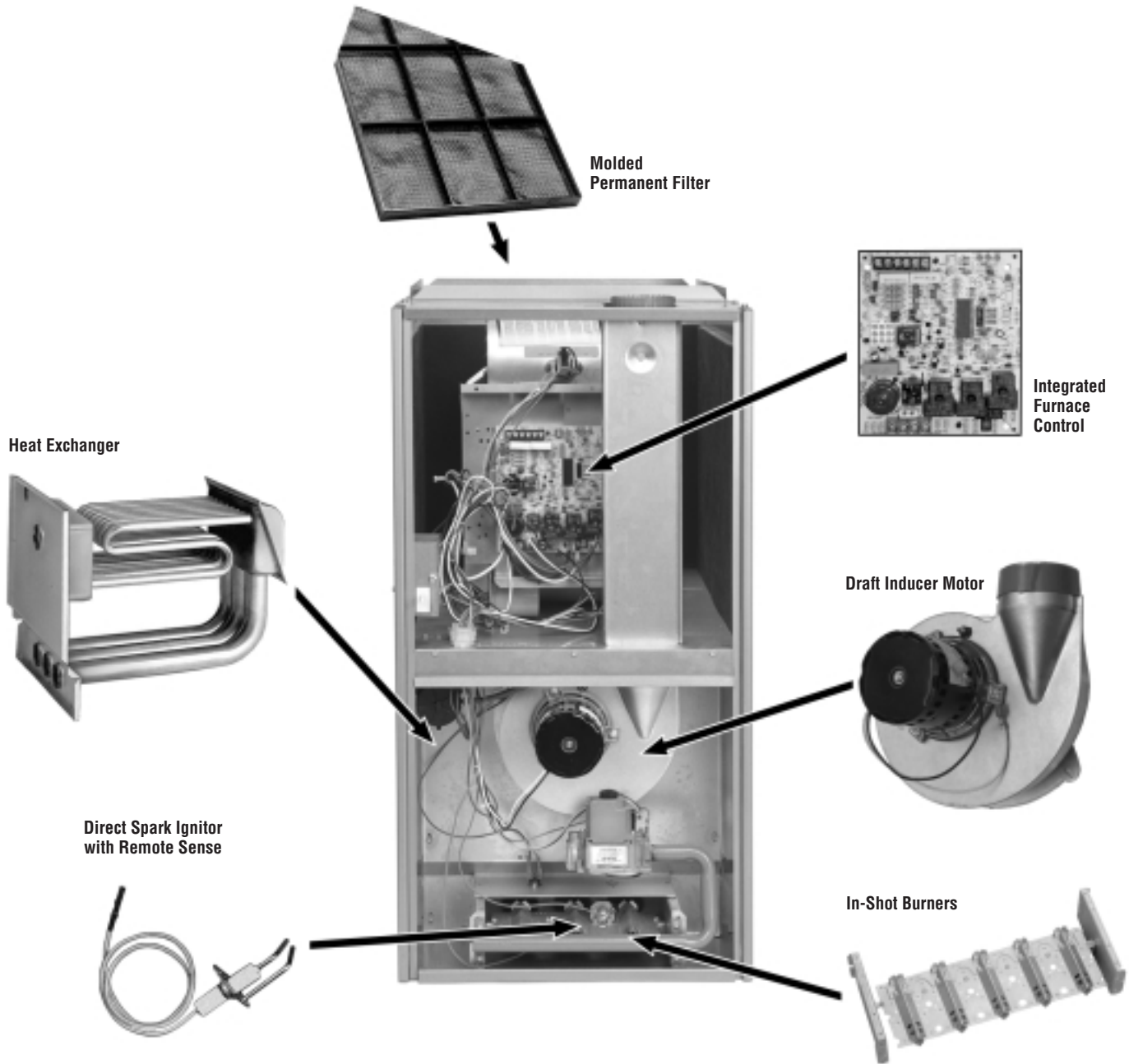
†A.F.U.E. (Annual Fuel Utilization Efficiency) calculated in accordance with Department of Energy test procedures.

UGLN- SERIES
Models with Input Rates from
50,000 to 150,000 BTU/HR
[15 to 44 kW]
(U.S. & Canadian Models)





ACHIEVER SERIES SUPER QUIET 80 DOWNFLOW GAS FURNACE



STANDARD EQUIPMENT

Completely assembled and wired; induced draft; pressure switch; redundant main gas control; blower compartment door safety switch; solid state time on/time off blower control; limit control; manual shut-off valve, pressure regulator for natural and L.P. (propane) gas; transformer; direct drive multi-speed blower motor. Furnaces are equipped with cooling/heating relay and transformer (40VA) ready for air conditioning applications. (Please note: a thermostat is not included as standard equipment.) Flame sensor diagnostics; on-board twinning; fused-protection (secondary), **3rd speed option for continuous fan; common heat/cool terminal.**

NOTE: Furnace is not listed for use with fuels other than natural or L.P. (propane) gas.

The complete terms of limited and other warranties are available at our sales office, or through local installer.

All models can be converted by a qualified Ruud distributor or local service dealer to use L.P. (propane) gas without changing burners. Factory approved kits must be used to convert from natural to L.P. (propane) gas and may be ordered as optional accessories from a Ruud parts distributor.

For L.P. (propane) operation, refer to Conversion Kit Index Form.

NOTE: For natural and L.P. (propane) gas models, direct spark ignition is 100% lockout type.

WARNING
THIS FURNACE IS NOT APPROVED
OR RECOMMENDED
FOR USE IN MOBILE HOMES

BEFORE PURCHASING THIS APPLIANCE, READ IMPORTANT ENERGY COST AND EFFICIENCY INFORMATION AVAILABLE FROM YOUR RETAILER.

PHYSICAL DATA AND SPECIFICATIONS

MODEL NUMBERS UGLN- SERIES	05EAUER 05NAUER	07EAMER 07NAMER	07EAMGR 07NAMGR	10EAMER 10NAMER	10EBRJR 10NBRJR	12EARJR 12NARJR	15EARJR 15NARJR
Input—BTU/Hr [kW] ②	50,000 [15]	75,000 [22]	75,000 [22]	100,000 [29.3]	100,000 [29.3]	125,000 [36.6]	150,000 [44]
Heating Capacity BTU/Hr [kW] ①	41,000 [12]	60,000 [18]	60,500 [18]	80,000 [23]	81,000 [24]	99,000 [29]	120,000 [35]
High Altitude Input [kW]	45,000 [13]	67,500 [19.8]	67,500 [19.8]	90,000 [26.4]	90,000 [26.4]	112,500 [33]	135,000 [39.6]
High Altitude Output Capacity [kW]	36,500 [10.7]	53,500 [15.7]	54,000 [15.8]	72,000 [21.1]	72,500 [21.2]	89,000 [26.1]	107,500 [31.5]
Heat Ext. Static Pressure [kPa]	.10 [.025]	.12 [.029]	.12 [.029]	.15 [.037]	.15 [.037]	.20 [.05]	.20 [.05]
Blower (D x W) [mm]	11 x 6 [279 x 152]	11 x 7 [279 x 178]	11 x 7 [279 x 178]	11 x 7 = 10*AM [279 x 178]	11 x 10 [279 x 254]	11 x 10 [279 x 254]	11 x 10 [279 x 254]
Motor H.P. [W]—Speeds [W]—PSC Type	1/2-4-PSC [373]	1/2-4-PSC [373]	3/4-4-PSC [559]	1/2-4-PSC [373]	3/4-4-PSC [559]	3/4-4-PSC [559]	3/4-4-PSC [559]
Motor Full Load Amps	6.8	7.1	9.5	7.1	9.5	9.5	9.5
Heating Speed	MED-LOW	MED-HIGH	MED-LOW	MED-HIGH	MED-LOW	MED-LOW	MED-LOW
Cooling Speed	HIGH	HIGH	MED-HIGH	HIGH	MED-HIGH	MED-HIGH	MED-HIGH
Cooling CFM @ .5" [kPa] E.S.P. (Nominal) [L/s]	1200 [566]	1200 [566]	1600 [755]	1200 [566]	2000 [944]	2000 [944]	2000 [944]
Rated E.S.P. (In. W.C.) [kPa]	0.5 [.12]	0.5 [.12]	0.5 [.12]	0.5 [.12]	0.5 [.12]	0.5 [.12]	0.5 [.12]
Temperature Rise Range °F [°C]	25-55 [13.9-30.6]	35-65 [19.5-36.2]	25-55 [13.9-30.6]	45-75 = 10*AM [25-41.7]	40-70 [22.2-38.9]	40-70 [22.2-38.9]	50-80 [27.8-44.4]
Max. Outlet Air Temp. °F [°C]	155 [68.3]	165 [73.9]	155 [68.3]	190 [87.8]	170 [76.7]	180 [82.2]	170 [76.7]
Standard Filter [mm]	(1) 14 x 20 [356 x 508]	(2) 12 x 20 [305 x 508]	(2) 12 x 20 [305 x 508]	(2) 12 x 20 [305 x 508]	(2) 14 x 20 [356 x 508]	(2) 14 x 20 [356 x 508]	(2) 14 x 20 [356 x 508]
Approx. Shipping Weight (Lbs.) [kg]	85 [38.6]	105 [47.6]	105 [47.6]	115 [52.2]	120 [54.4]	140 [63.5]	150 [68.0]
AFUE—Electric Ignition Models ①	80%	80%	80%	80%	80%	80%	80%

NOTES: All models are 115V, 60HZ, 1Ø. Gas connection size for all models is 1/2" N.P.T.

① In accordance with D.O.E. test procedures.

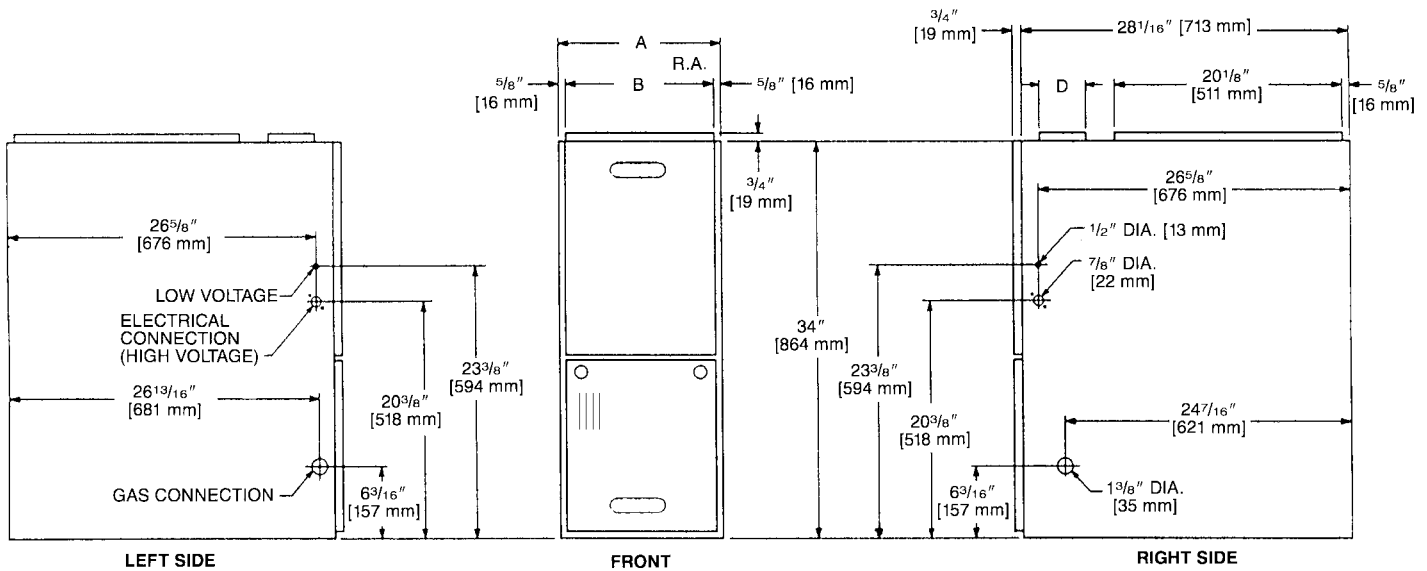
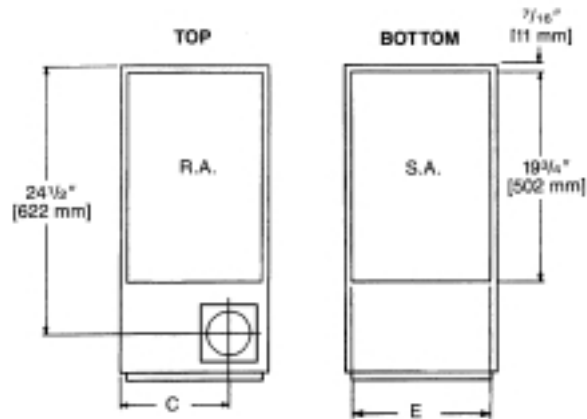
② See Conversion Kit Index Form for high altitude derate in U.S. applications. For Canadian applications, reference the furnace installation instructions.

MODEL IDENTIFICATION—DOWNFLOW MODELS

U	G	L	N	—	07E	A	M	E	R
Ruud	Gas Furnace	Downflow	Design Series		Heating Input Designation	Variations	Blower Designation	Heating & Cooling Designation	Fuel Type
					Electric Ignition	A = Std. Cabinet	M = 11 x 7 [279 x 178 mm]	S = 500-1200 CFM [236-566 L/s]	R = Natural Gas, U.S. and Canadian Standard Furnace
					NOx Model	B = Wide Cabinet	R = 11 x 10 [279 x 254 mm]	E = 1100-1330 CFM [519-628 L/s]	
					Input BTU/HR			G = 1450-1750 CFM [684-826 L/s]	
					05E 05N 50,000 [15 kW]			J = 1800-2075 CFM [850-979 L/s]	
					07E 07N 75,000 [22 kW]				
					10E 10N 100,000 [29 kW]				
					12E 12N 125,000 [37 kW]				
					15E 15N 150,000 [44 kW]				

[] Designates Metric Conversions

DOWNFLOW DIMENSIONS



DIMENSIONS AND CLEARANCE TO COMBUSTIBLE MATERIAL (INCHES) [mm]

MODEL UGLN-SERIES	A	B	C	D	E	REDUCED CLEARANCES (IN.) [mm]						SHIP. WGTS. (LBS.) [kg]
						LEFT SIDE	RIGHT SIDE	BACK	TOP	FRONT	VENT	
05	14 [356]	12 ²⁷ / ₃₂ [326]	10 ³ / ₈ [264]	①	13 ¹ / ₈ [333]	0	4 ②	0	1 [25]	3 [76]	6 [152] ③	85 [38.6]
07	17 ¹ / ₂ [445]	16 ¹¹ / ₃₂ [415]	12 ¹ / ₈ [308]	①	16 ⁵ / ₈ [422]	0	3 ②	0	1 [25]	3 [76]	6 [152] ③	105 [47.6]
10 (A)	17 ¹ / ₂ [445]	16 ¹¹ / ₃₂ [415]	12 ¹ / ₈ [308]	①	16 ⁵ / ₈ [422]	0	3 ②	0	1 [25]	3 [76]	6 [152] ③	115 [52.2]
10 (B)	21 [533]	19 ²⁷ / ₃₂ [504]	13 ⁷ / ₈ [352]	①	20 ¹ / ₈ [511]	0	0	0	1 [25]	3 [76]	6 [152] ③	120 [54.4]
12	24 ¹ / ₂ [622]	23 ¹¹ / ₃₂ [593]	15 ⁵ / ₈ [397]	①	23 ⁵ / ₈ [600]	0	0	0	1 [25]	3 [76]	6 [152] ③	140 [63.5]
15	24 ¹ / ₂ [622]	23 ¹¹ / ₃₂ [593]	15 ⁵ / ₈ [397]	①	23 ⁵ / ₈ [600]	0	0	0	1 [25]	3 [76]	6 [152] ③	150 [68]

NOTES: ① May require a 3" [76 mm] to 4" [102 mm] or 3" [76 mm] to 5" [127 mm] adapter.

② May be 0" [0 mm] with type B vent.

③ May be 1" [25 mm] with type B vent.

Furnaces must be vented in accordance with the National Fuel Gas Code, ANSI Z223.1 and/or Can/CGA-B149 Installation Codes and in accordance with local codes.

BLOWER PERFORMANCE DATA—DOWNFLOW MODELS

MODEL NUMBER UGLN-SERIES	BLOWER SIZE [mm]	MOTOR H.P. [W]	BLOWER SPEED	CFM [L/s] AIR DELIVERY						
				EXTERNAL STATIC PRESSURE INCHES [kPa] WATER COLUMN						
				.1 [.02]	.2 [.05]	.3 [.07]	.4 [.10]	.5 [.12]	.6 [.15]	.7 [.17]
05EAUER 05NAUER	11 x 6 [279 x 152]	1/2 [373]	LOW	735 [347]	715 [337]	690 [326]	660 [311]	635 [300]	605 [286]	575 [271]
			MED-LO	1025 [484]	1015 [479]	995 [470]	975 [460]	955 [451]	930 [439]	905 [427]
			MED-HI	1185 [559]	1165 [550]	1150 [543]	1130 [533]	1100 [519]	1075 [507]	1040 [491]
07EAMER 07NAMER	11 x 7 [279 x 178]	1/2 [373]	LOW	921 [435]	896 [423]	870 [411]	845 [399]	819 [387]	783 [369]	746 [352]
			MED-LO	1094 [516]	1066 [503]	1037 [489]	1014 [478]	990 [467]	949 [448]	907 [428]
			MED-HI	1239 [585]	1211 [571]	1182 [558]	1164 [549]	1146 [541]	1117 [527]	1087 [513]
07EAMGR 07NAMGR	11 x 7 [279 x 178]	3/4 [559]	LOW	1210 [571]	1205 [569]	1195 [564]	1180 [557]	1165 [550]	1155 [545]	1130 [533]
			MED-LO	1580 [746]	1560 [736]	1550 [732]	1530 [722]	1495 [706]	1465 [691]	1430 [675]
			MED-HI	1915 [904]	1880 [887]	1825 [861]	1790 [845]	1740 [821]	1675 [791]	1600 [755]
10EAMER 10NAMER	11 x 7 [279 x 178]	1/2 [373]	LOW	918 [433]	896 [423]	873 [412]	843 [398]	813 [384]	787 [371]	760 [359]
			MED-LO	1080 [510]	1063 [502]	1045 [493]	1014 [479]	993 [464]	946 [446]	909 [429]
			MED-HI	1228 [580]	1202 [567]	1176 [555]	1147 [541]	1118 [528]	1085 [512]	1051 [496]
10EBRJR 10NBRJR	11 x 10 [279 x 254]	3/4 [559]	LOW	1379 [651]	1360 [642]	1340 [632]	1319 [622]	1298 [613]	1266 [597]	1234 [582]
			MED-LO	1737 [820]	1715 [809]	1693 [799]	1662 [784]	1631 [770]	1594 [752]	1557 [735]
			MED-HI	2182 [1030]	2140 [1010]	2097 [990]	2042 [964]	1987 [938]	1935 [913]	1883 [889]
12EARJR 12NARJR	11 x 10 [279 x 254]	3/4 [559]	LOW	1330 [628]	1295 [611]	1280 [604]	1240 [585]	1215 [573]	1210 [571]	1175 [555]
			MED-LO	—	1690 [798]	1660 [783]	1635 [772]	1580 [746]	1535 [724]	1480 [698]
			MED-HI	—	2090 [986]	2035 [960]	1985 [937]	1930 [911]	1850 [873]	1785 [842]
15EARJR 15NARJR	11 x 10 [279 x 254]	3/4 [559]	LOW	1300 [614]	1280 [604]	1230 [580]	1205 [569]	1170 [552]	1115 [526]	1030 [486]
			MED-LO	1675 [791]	1650 [779]	1620 [765]	1570 [741]	1545 [729]	1485 [701]	1425 [673]
			MED-HI	2105 [993]	2075 [979]	2035 [960]	1990 [939]	1955 [923]	1900 [897]	1815 [857]
			HIGH	—	2340 [1104]	2290 [1081]	2215 [1045]	2145 [1012]	2080 [982]	1995 [942]

NOTES: Data compiled with factory filters installed.
 Recommended blower speeds are in bold.
 See Form Number C22-206 for MultiFlex® coil data.

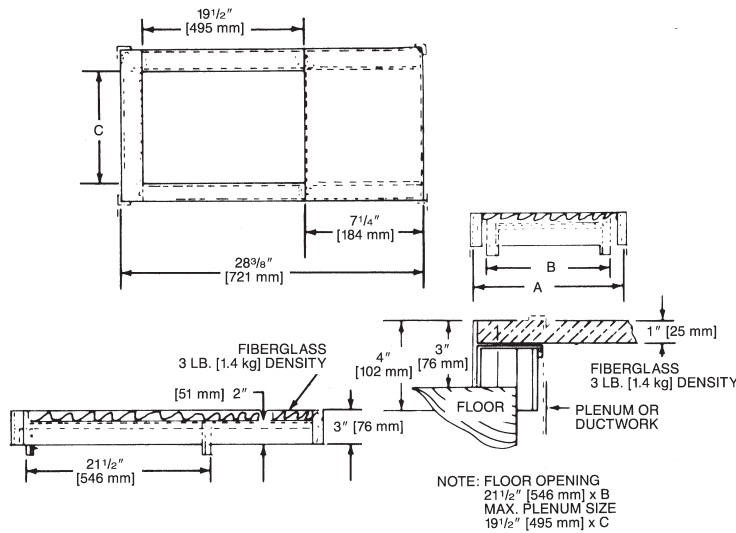
[] Designates Metric Conversions

ACCESSORIES—DOWNFLOW

DOWNFLOW WARNING: Unit design is certified for installation on non-combustible floor. A special factory supplied combustible floor sub-base is required when installing on a combustible floor. Failure to install the sub-base may result in fire, property damage and personal injury.

COMBUSTIBLE FLOOR BASE DIMENSIONS

COMBUSTIBLE FLOOR BASE	USE WITH FURNACE SIZES	A IN. [mm]	B IN. [mm]	C IN. [mm]
RXGC-B14	UGLN-05	14 ¹ / ₂ [368]	13 ¹ / ₄ [337]	11 ¹ / ₄ [286]
RXGC-B17	UGLN-07, UGLN-10(-)A	18 [457]	16 ³ / ₄ [425]	14 ³ / ₄ [451]
RXGC-B21	UGLN-10(-)B	21 ¹ / ₂ [546]	20 ¹ / ₄ [514]	18 ¹ / ₄ [464]
RXGC-B24	UGLN-12, UGLN-15	25 [635]	23 ³ / ₄ [603]	21 ³ / ₄ [552]



RXPF-F01 and F02

FOSSIL FUEL KITS—are for use with Ruud Heat Pumps and Super Quiet 80 warm air furnaces. The RXPF-F02 meets TVA requirements.

RXGF-CC*

FILTER RACK—Downflow top return mount.
NOTE: Filter racks are shipped without filters.

*Filters available through PROSTOCK®.

FOR HIGH ALTITUDES:

HIGH ALTITUDE OPTION CODE: U.S. & Canada – None required for high altitudes.

HIGH ALTITUDE CONVERSION KITS: U.S. & Canada – None required for high altitudes.

80+ HIGH ALTITUDE INSTRUCTIONS

Caution: Always follow National Fuel Gas Code (NFGC) guidelines when converting for high altitudes.

High altitude option codes are not required for these models. However, the burner orifice size needs to be recalculated and verified at elevations above 2000 ft. See Installation Instructions for more information.

NOTE: For Canadian installations only, an optional derate (manifold gas pressure reduction) method may be used to adjust the furnace for altitude. See Installation Instructions for more information. This optional method may **NOT** be used for U.S. installations.

GENERAL TERMS OF LIMITED WARRANTY

Ruud will furnish a replacement for any part of this product which fails in normal use and service within the applicable period stated, in accordance with the terms of the limited warranty.

For Complete Details of the Limited Warranty, Including Applicable Terms and Conditions, See Your Local Installer or Contact the Manufacturer for a Copy.

Gas Heat Exchanger Limited WarrantyTwenty (20) Years
*Any Other Part.....Five (5) Years

*This five year limited warranty is applicable only to single-phase products installed in residential applications on or after January 1, 2001.

NOTES

Before proceeding with installation, refer to installation instructions packaged with each model, as well as complying with all Federal, State, Provincial, and Local codes, regulations, and practices.

**RUUD
AIR CONDITIONING
DIVISION**

5600 Old Greenwood Road, Fort Smith, Arkansas 72908



"In keeping with its policy of continuous progress and product improvement, Ruud reserves the right to make changes without notice."