



The new degree of comfort.™

Rheem Prestige Series™ equipped with Comfort Control System™



RAPM- JEZ Series

Efficiencies up to 16 SEER/13.55 EER
Nominal Sizes 1.5 to 5 Ton [5.28 to 17.6 kW]
Cooling Capacities 18.8 to 62.5 kBTU
[5.50 to 18.32 kW]



"Proper sizing and installation of equipment is critical to achieve optimal performance. Ask your Contractor for details or visit www.energystar.gov."

- The *Comfort Control System™* provides on-board diagnostics and fault history for condensing units with single-phase compressors by detecting system and electrical problems without adding sensors. It can also communicate "fault codes" to enabled "L terminal" thermostats. The integrated diagnostics with *Active Protection™* prevents compressor operation when potentially harmful conditions are detected.
- 7-Segment LED Display is exclusive only to Rheem products. The information-display quickly and accurately shows technicians the source of malfunctions.
- Features a five-year conditional unit replacement warranty when properly installed with a new Rheem Air Handler or Rheem Indoor Coil with a Rheem Gas Furnace. See product warranty card for additional information.
- Compressor sound blanket is standard to provide quiet operation.
- Attractive, louvered wrap-around jacket protects the coil from yard hazards and weather extremes. Top grille is steel reinforced for extra strength. Cabinet is powder painted for all-weather protection.
- Air is discharged upward away from bushes and shrubs. The discharge pattern of the top grille provides minimum air restriction.
- Combination Grille/Motor Mount secures the motor to the underside of the discharge grille. The grille protects the motor windings and bearings from rain and snow.
- Removable top grille provides access to the condenser fan motor and condenser coil.
- Single speed 8-pole fan motor designed for low speed, quiet, energy-saving operation.
- All models meet or exceed a 1000-hour salt spray test per ASTM B117 Standard Practice for Operating Salt Spray Testing Apparatus.



TABLE OF CONTENTS

Model Features	3
Model Number Identification	4
Accessories.....	4
Scroll Compressor	4
Performance Data	5-30
Electrical & Physical Data	31
Unit Dimensions.....	32
Refrigerant Line Size Information	33
Limited Warranty	34

The Comfort Control System™ Features:

- The Rheem exclusive 7-Segment LED Display easily shows system operating status codes and diagnostic codes.

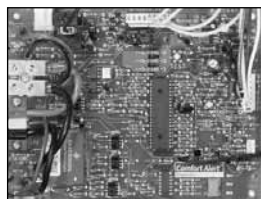
- A Sealed Switch replaces the standard



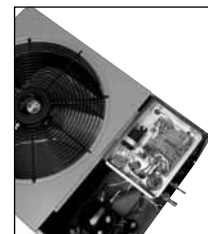
contactor and features optical control and latching mechanism. The sealed switch prevents infiltration of insects and dust. A minimal switching arc, by the optical control, offers greater reliability. The latching mechanism consumes less power while reducing chatter.



- The Status Indication and System Diagnostics feature thermostat communication capability, built-in diagnostics, high & low voltage monitoring and high & low pressure switch monitoring. The thermostat communication capability alerts the homeowner to any necessary service requirements. Faster, more accurate service is provided by the built-in diagnostics, by providing the HVAC professional with dependable information. With the high and low voltage monitoring feature, the control provides alerts for out-of-range conditions. In addition, high and low pressure-switch monitoring prevents the system from operating outside of its normal parameters.



- The fault recall feature will allow for the last six fault-codes to be displayed, and will retain these codes even if power failure occurs.
- Built-in short-cycle protection allows the compressor to restart easily without oil removal.
- A 30-second minimum run-time for every compressor call enables the oil return to the compressor.
- *Active Protection* monitors the system to prevent nuisance lockouts and prevents compressor operation when potentially harmful conditions are detected.
- The compressor and fan are controlled independently, which reduces the starting load and light dimming.
- A push-button is offered to operate the compressor and fan for 5 seconds to allow for an operation check.
- In order to save time and money, replacement automotive fuses can be utilized instead of replacing the entire control board.

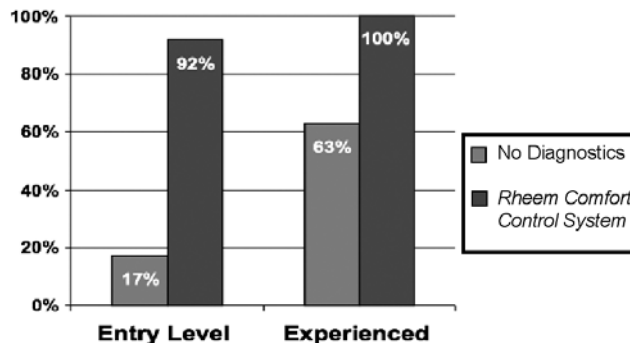


Standard Features

RAPM- JEZ Condensing Units

1. This unit contains a special scroll compressor that is designed specifically to operate with R-410A refrigerants and polyolester (POE) oils. The compressor is hermetically sealed and incorporates internal high temperature motor overload protection and durable insulation on the motor windings. It is externally mounted on rubber grommets to reduce vibration and noise.
2. Scroll compressor is hermetically sealed and incorporates internal high temperature motor overload protection, and durable insulation on the motor windings. It is externally mounted on rubber grommets to reduce vibration and noise.
3. Compressors have an internal pressure relief assembly to protect against excessive pressure differential.
4. All refrigerant connections are on the exterior of the unit, located close to the ground for neat appearing installations.
5. Cabinet is constructed of powder painted galvanized steel. The full wrap-around louvered grille protects the coil from damage.
6. Enhanced compressor sound blanket is standard.
7. Copper tube—aluminum fin coils are used on all models.
8. The control box is located in the top corner of the cabinet providing for easy access through a service panel.
9. Service valves are standard on all models.
10. Field connections for power and control wiring are kept separate.
11. Every unit is factory charged and run-tested.
12. Separate compressor compartment for easy service access.
13. Drawn, painted base pan for extra corrosion resistance and sound reduction.
14. The **RAPM- JEZ** has a 10 year limited compressor warranty, plus a 5 year conditional unit replacement warranty. See General Terms of Limited Warranty for more details.
15. **Hard Start Kits**—Standard on all JEZ models.
16. Control Box Cover.
17. Automatic reset high and low pressure controls are standard on all JEZ models.
18. Liquid line filter drier is standard on all models (shipped – not installed).

Problem-Solving Accuracy





Model Number Identification

<u>R</u>	<u>A</u>	<u>P</u>	<u>M</u>	—	<u>018</u>	<u>J</u>	<u>E</u>	<u>Z</u>
RHEEM	REMOTE CONDENSING UNIT	P = 14 SEER	DESIGN SERIES		COOLING CAPACITY	ELECTRICAL DESIGNATION	VARIATIONS EQUIPPED WITH THE <i>COMFORT</i> <i>CONTROL SYSTEM</i> [™]	COOLING CONNECTION FITTING
			M = R-410A (2ND DESIGN SERIES)		018 = 18,000 BTU/HR [5.28 kW] 024 = 24,000 BTU/HR [7.03 kW] 030 = 30,000 BTU/HR [8.79 kW] 036 = 36,000 BTU/HR [10.55 kW] 042 = 42,000 BTU/HR [12.31 kW] 048 = 48,000 BTU/HR [14.07 kW] 056 = 56,000 BTU/HR [16.41 kW] 060 = 60,000 BTU/HR [17.58 kW]	J = 208/230V-1-60		Z = SWEAT W/SCROLL

Accessories

- Low Ambient Control (RXAD-A08)
- Crankcase Heater

Thermostats



200-Series *
Programmable



300-Series *
Deluxe
Programmable

400-Series *
Special Applications/
Programmable



500-Series *
Communicating/
Programmable

Brand	Descriptor (3 Characters)	Series (3 Characters)	System (2 Characters)	Type (2 Characters)
RHC	TST	213	UN	MS
RHC=Rheem	TST=Thermostat	200=Programmable 300=Deluxe Programmable 400=Special Applications/ Programmable 500=Communicating/ Programmable	GE=Gas/Electric UN=Universal (AC/HP/GE) MD=Modulating Furnace DF=Dual Fuel CM=Communicating	SS=Single-Stage MS=Multi-Stage

* Photos are representative. Actual models may vary.

For detailed thermostat match-up information,
see specification sheet form number T11-001.

Scroll® Compressor

The reliable scroll compressor is the key to efficiency for this Rheem model. It's the latest in high-efficiency compressor technology. The advanced scroll compressor offers low noise and vibration characteristics and features tolerance to liquid refrigerant and system contamination. The scroll compressor also has low start torque, reducing start problems in the field. And its unique design enables air conditioners to perform efficiently and quietly.



[] Designates Metric Conversions

Performance Data @ AHRI Standard Conditions—Cooling

Model Numbers		80°F [26.5°C] DB/67°F [19.5°C] WB Indoor Air 95°F [35°C] DB Outdoor Air					Sound Rating dB	Indoor CFM [L/s]
Outdoor Unit RAPM-	Indoor Coil and/or Air Handler	Total Capacity BTU/H [kW]	Net Sensible BTU/H [kW]	Net Latent BTU/H [kW]	EER	SEER		
Rev. 6/14/12	RCQD-2417(RGJF-07?MCK?)	19,500 [5.7]	14,400 [4.2]	5,100 [1.5]	13.00	16.00	74	575 [271]
	RCQD-2417(RGPE-05?BMK?)	19,500 [5.7]	14,400 [4.2]	5,100 [1.5]	13.00	16.00	74	575 [271]
	RCQD-2417(RGPE-07?AMK?)	19,800 [5.8]	14,800 [4.3]	5,000 [1.5]	13.00	16.00	74	625 [295]
	RCQD-2417(RGPT-05?BMK?)	19,800 [5.8]	14,900 [4.4]	4,900 [1.4]	13.00	16.00	74	650 [307]
	RCQD-2417(RGPT-07?AMK?)	19,800 [5.8]	15,100 [4.4]	4,700 [1.4]	13.00	16.00	74	625 [295]
	RCQD-2417(RGRM-04?MAE?)	19,800 [5.8]	14,850 [4.4]	4,950 [1.5]	13.00	16.00	74	575 [271]
	RCQD-2417(RGRM-06?MAE?)	19,900 [5.8]	15,000 [4.4]	4,900 [1.4]	13.00	16.00	74	600 [283]
	RCQD-2417(RGRM-07?MAE?)	20,200 [5.9]	15,400 [4.5]	4,800 [1.4]	13.00	16.00	74	625 [295]
	RCQD-2417(ROCA-070E03)	19,600 [5.7]	14,600 [4.3]	5,000 [1.5]	13.00	16.00	74	600 [283]
	RCQD-2417(ROLA-070E03)	19,600 [5.7]	14,600 [4.3]	5,000 [1.5]	13.00	16.00	74	600 [283]
	RCQD-2417+RXMD-C04	18,800 [5.5]	13,800 [4.0]	5,000 [1.5]	12.00	14.50	74	650 [307]
	RHKL-HM2417(RCSL-H*2417)	19,400 [5.7]	14,250 [4.2]	5,150 [1.5]	13.00	16.00	74	650 [307]
	RHLL-HM2417(RCSL-H*2417)	19,400 [5.7]	14,250 [4.2]	5,150 [1.5]	13.00	16.00	74	650 [307]
	RHSL-HM1817(RCSL-H*2417)	18,800 [5.5]	13,650 [4.0]	5,150 [1.5]	12.50	15.00	74	600 [283]
018JEZ	RCFL-H*2417+RXMD-C04 ①	25,000 [7.3]	18,450 [5.4]	6,550 [1.9]	12.00	14.50	73	800 [378]
	RHAL-FR24P	24,000 [7.0]	18,500 [5.4]	5,500 [1.6]	11.50	13.50	73	800 [378]
	RHBL-FR24T	24,000 [7.0]	18,500 [5.4]	5,500 [1.6]	12.50	15.00	73	800 [378]
	RCFL-A*2414+RXMD-C04	24,800 [7.3]	18,300 [5.4]	6,600 [1.9]	12.00	14.50	73	800 [378]
	RCFL-A*2417(RGFE-06?MCK?)	25,200 [7.4]	18,550 [5.4]	6,650 [1.9]	13.00	15.50	73	800 [378]
	RCFL-A*2417(RGFE-07?MCK?)	25,200 [7.4]	18,550 [5.4]	6,650 [1.9]	13.00	15.50	73	825 [389]
	RCFL-A*2417(RGFG-06?MCK?)	25,400 [7.4]	18,800 [5.5]	6,600 [1.9]	13.00	15.50	73	800 [378]
	RCFL-A*2417(RGFG-07?MCK?)	25,400 [7.4]	18,700 [5.5]	6,700 [2.0]	13.00	15.50	73	800 [378]
	RCFL-A*2417(RGGE-06?MCK?)	25,400 [7.4]	18,700 [5.5]	6,700 [2.0]	13.00	16.00	73	825 [389]
	RCFL-A*2417(RGGE-07?MCK?)	25,200 [7.4]	18,500 [5.4]	6,700 [2.0]	13.00	15.50	73	800 [378]
	RCFL-A*2417(RGLE-07?AMK?)	25,400 [7.4]	18,700 [5.5]	6,700 [2.0]	13.00	16.00	73	800 [378]
	RCFL-A*2417(RGLT-07?AMK?)	25,600 [7.5]	19,100 [5.6]	6,500 [1.9]	13.00	16.00	73	850 [401]
	RCFL-A*2417(RGPE-05?BMK?)	25,200 [7.4]	18,500 [5.4]	6,700 [2.0]	13.00	15.50	73	800 [378]
	RCFL-A*2417(RGPE-07?AMK?)	25,000 [7.3]	18,100 [5.3]	6,900 [2.0]	13.00	16.00	73	725 [342]
	RCFL-A*2417(RGPT-05?BMK?)	25,400 [7.4]	18,950 [5.6]	6,450 [1.9]	13.00	15.50	73	850 [401]
	RCFL-A*2417(RGPT-07?AMK?)	25,600 [7.5]	19,100 [5.6]	6,500 [1.9]	13.00	15.50	73	850 [401]
	RCFL-A*2417(RGRM-04?MAE?)	25,200 [7.4]	18,600 [5.4]	6,600 [1.9]	13.00	15.50	73	800 [378]
	RCFL-A*2417(RGRM-06?MAE?)	25,200 [7.4]	18,600 [5.4]	6,600 [1.9]	13.00	15.50	73	825 [389]
	RCFL-A*2417(RGRM-07?MAE?)	25,400 [7.4]	18,950 [5.6]	6,450 [1.9]	12.50	15.10	73	850 [401]
	RCFL-A*2417(RHWB-04WMX36A)	25,400 [7.4]	18,800 [5.5]	6,600 [1.9]	13.00	16.00	73	825 [389]
	RCFL-A*2417(ROCA-070E03)	25,400 [7.4]	18,750 [5.5]	6,650 [1.9]	13.00	16.00	73	800 [378]
	RCFL-A*2417(ROLA-070E03)	25,400 [7.4]	18,750 [5.5]	6,650 [1.9]	13.00	16.00	73	800 [378]
	RCFL-A*2417+RXMD-C04	24,800 [7.3]	18,300 [5.4]	6,600 [1.9]	12.00	14.50	73	800 [378]
	RCFL-H*2414+RXMD-C04	24,800 [7.3]	18,300 [5.4]	6,600 [1.9]	12.00	14.50	73	800 [378]
	RCFL-H*2417(RGFE-06?MCK?)	25,200 [7.4]	18,550 [5.4]	6,650 [1.9]	13.00	15.50	73	800 [378]
	RCFL-H*2417(RGFE-07?MCK?)	25,200 [7.4]	18,550 [5.4]	6,650 [1.9]	13.00	15.50	73	825 [389]
	RCFL-H*2417(RGFG-06?MCK?)	25,400 [7.4]	18,800 [5.5]	6,600 [1.9]	13.00	15.50	73	800 [378]
	RCFL-H*2417(RGFG-07?MCK?)	25,400 [7.4]	18,700 [5.5]	6,700 [2.0]	13.00	15.50	73	800 [378]
	RCFL-H*2417(RGGE-06?MCK?)	25,400 [7.4]	18,700 [5.5]	6,700 [2.0]	13.00	16.00	73	825 [389]
	RCFL-H*2417(RGGE-07?MCK?)	25,200 [7.4]	18,500 [5.4]	6,700 [2.0]	13.00	15.50	73	800 [378]
	RCFL-H*2417(RGJF-06?MCK?)	25,400 [7.4]	18,700 [5.5]	6,700 [2.0]	13.00	16.00	73	825 [389]
	RCFL-H*2417(RGJF-07?MCK?)	25,200 [7.4]	18,500 [5.4]	6,700 [2.0]	13.00	15.50	73	800 [378]
	RCFL-H*2417(RGLE-07?AMK?)	25,400 [7.4]	18,700 [5.5]	6,700 [2.0]	13.00	16.00	73	800 [378]
	RCFL-H*2417(RGLT-07?AMK?)	25,600 [7.5]	19,100 [5.6]	6,500 [1.9]	13.00	16.00	73	850 [401]

① Highest sales volume tested combination required by D.O.E. test procedures.

[] Designates Metric Conversions



Performance Data @ AHRI Standard Conditions—Cooling

Model Numbers		80°F [26.5°C] DB/67°F [19.5°C] WB Indoor Air 95°F [35°C] DB Outdoor Air					Sound Rating dB	Indoor CFM [L/s]
Outdoor Unit RAPM-	Indoor Coil and/or Air Handler	Total Capacity BTU/H [kW]	Net Sensible BTU/H [kW]	Net Latent BTU/H [kW]	EER	SEER		
Rev. 6/14/12	RCFL-H*2417(RGPE-05?BMK?)	25,200 [7.4]	18,500 [5.4]	6,700 [2.0]	13.00	15.50	73	800 [378]
	RCFL-H*2417(RGPE-07?AMK?)	25,000 [7.3]	18,100 [5.3]	6,900 [2.0]	13.00	16.00	73	725 [342]
	RCFL-H*2417(RGPT-05?BMK?)	25,400 [7.4]	18,950 [5.6]	6,450 [1.9]	13.00	15.50	73	850 [401]
	RCFL-H*2417(RGPT-07?AMK?)	25,600 [7.5]	19,100 [5.6]	6,500 [1.9]	13.00	15.50	73	850 [401]
	RCFL-H*2417(RGRM-04?MAE?)	25,200 [7.4]	18,600 [5.4]	6,600 [1.9]	13.00	15.50	73	800 [378]
	RCFL-H*2417(RGRM-06?MAE?)	25,200 [7.4]	18,600 [5.4]	6,600 [1.9]	13.00	15.50	73	825 [389]
	RCFL-H*2417(RGRM-07?MAE?)	25,400 [7.4]	18,950 [5.6]	6,450 [1.9]	12.50	15.10	73	850 [401]
	RCFL-H*2417(RGTM-06?MAE?)	25,200 [7.4]	18,400 [5.4]	6,800 [2.0]	13.00	16.00	73	750 [354]
	RCFL-H*2417(RHWP-04WXM36A)	25,400 [7.4]	18,800 [5.5]	6,600 [1.9]	13.00	16.00	73	825 [389]
	RCFL-H*2417(ROCA-070E03)	25,400 [7.4]	18,750 [5.5]	6,650 [1.9]	13.00	16.00	73	800 [378]
	RCFL-H*2417(ROLA-070E03)	25,400 [7.4]	18,750 [5.5]	6,650 [1.9]	13.00	16.00	73	800 [378]
	RCFL-H*2621(RGPT-05?BMK?)	26,400 [7.7]	20,300 [5.9]	6,100 [1.8]	13.00	16.00	73	900 [425]
	RCFL-H*2621(RHWP-04WXM36A)	26,200 [7.7]	20,100 [5.9]	6,100 [1.8]	13.00	16.00	73	875 [413]
	RBHP-17(RCHL-24A2)	23,200 [6.8]	16,550 [4.8]	6,650 [1.9]	11.50	14.00	73	800 [378]
	RCQD-2417(RGFE-06?MCK?)	24,600 [7.2]	18,600 [5.4]	6,000 [1.8]	12.50	15.00	73	800 [378]
	RCQD-2417(RGFE-07?MCK?)	24,600 [7.2]	18,600 [5.4]	6,000 [1.8]	12.50	15.00	73	825 [389]
	RCQD-2417(RGFG-06?MCK?)	26,000 [7.6]	19,600 [5.7]	6,400 [1.9]	13.00	16.00	73	800 [378]
	RCQD-2417(RGFG-07?MCK?)	26,200 [7.7]	19,800 [5.8]	6,400 [1.9]	13.00	16.00	73	800 [378]
	RCQD-2417(RGJF-06?MCK?)	24,600 [7.2]	18,550 [5.4]	6,050 [1.8]	12.50	15.00	73	825 [389]
	RCQD-2417(RGJF-07?MCK?)	24,600 [7.2]	18,600 [5.4]	6,000 [1.8]	12.50	15.00	73	800 [378]
	RCQD-2417(RGPE-05?BMK?)	24,600 [7.2]	18,600 [5.4]	6,000 [1.8]	12.50	15.00	73	800 [378]
	RCQD-2417(RGPE-07?AMK?)	24,600 [7.2]	18,600 [5.4]	6,000 [1.8]	12.50	15.00	73	825 [389]
	RCQD-2417(RGPT-05?BMK?)	25,000 [7.3]	19,350 [5.7]	5,650 [1.7]	12.50	15.00	73	900 [425]
	RCQD-2417(RGRM-04?MAE?)	25,600 [7.5]	20,050 [5.9]	5,550 [1.6]	13.00	15.50	73	800 [378]
	RCQD-2417(RGRM-06?MAE?)	25,600 [7.5]	20,050 [5.9]	5,550 [1.6]	13.00	15.50	73	825 [389]
	RCQD-2417(RGRM-07?MAE?)	25,800 [7.6]	20,400 [6.0]	5,400 [1.6]	12.50	15.00	73	850 [401]
	RCQD-2417(RHWP-04WXM36A)	26,600 [7.8]	20,600 [6.0]	6,000 [1.8]	13.00	16.00	73	875 [413]
	RCQD-2417(ROCA-070E03)	24,600 [7.2]	18,600 [5.4]	6,000 [1.8]	12.50	15.10	73	800 [378]
	RCQD-2417(ROLA-070E03)	24,600 [7.2]	18,650 [5.5]	5,950 [1.7]	12.50	15.10	73	800 [378]
	RCQD-2417+RXMD-C04	24,800 [7.3]	18,750 [5.5]	6,050 [1.8]	11.50	14.00	73	800 [378]
	RHKL-HM2417(RCSL-H*2417)	25,600 [7.5]	19,100 [5.6]	6,500 [1.9]	13.00	16.00	73	850 [401]
	RHLL-HM2417(RCSL-H*2417)	25,600 [7.5]	18,900 [5.5]	6,700 [2.0]	13.00	16.00	73	775 [366]
	RHSL-HM2417(RCSL-H*2417)	25,000 [7.3]	18,450 [5.4]	6,550 [1.9]	12.00	14.50	73	800 [378]
030JEZ	RCFL-H*3617+RXMD-C04 ①	29,000 [8.5]	20,950 [6.1]	8,050 [2.4]	12.00	14.50	73	1,000 [472]
	RCFL-A*3617(RGFE-06?MCK?)	29,200 [8.6]	21,100 [6.2]	8,100 [2.4]	13.00	15.00	73	1,000 [472]
	RCFL-A*3617(RGFE-07?MCK?)	29,200 [8.6]	21,150 [6.2]	8,050 [2.4]	12.50	14.50	73	1,025 [484]
	RCFL-A*3617(RGFG-06?MCK?)	28,800 [8.4]	20,200 [5.9]	8,600 [2.5]	13.00	15.50	73	875 [413]
	RCFL-A*3617(RGFG-07?MCK?)	28,800 [8.4]	20,200 [5.9]	8,600 [2.5]	13.00	15.50	73	850 [401]
	RCFL-A*3617(RGGE-06?MCK?)	29,400 [8.6]	21,300 [6.2]	8,100 [2.4]	12.50	15.10	73	1,025 [484]
	RCFL-A*3617(RGGE-07?MCK?)	29,400 [8.6]	21,300 [6.2]	8,100 [2.4]	12.50	15.10	73	1,025 [484]
	RCFL-A*3617(RGLE-07?AMK?)	29,400 [8.6]	21,300 [6.2]	8,100 [2.4]	13.00	15.50	73	1,025 [484]
	RCFL-A*3617(RGLT-07?AMK?)	29,000 [8.5]	20,350 [6.0]	8,650 [2.5]	13.00	16.00	73	875 [413]
	RCFL-A*3617(RGPE-05?BMK?)	29,400 [8.6]	21,300 [6.2]	8,100 [2.4]	12.50	15.10	73	975 [460]
	RCFL-A*3617(RGPE-07?AMK?)	29,400 [8.6]	21,300 [6.2]	8,100 [2.4]	12.50	15.10	73	1,000 [472]
	RCFL-A*3617(RGPT-05?BMK?)	28,800 [8.4]	20,100 [5.9]	8,700 [2.5]	13.00	15.50	73	850 [401]
	RCFL-A*3617(RGPT-07?AMK?)	29,000 [8.5]	20,350 [6.0]	8,650 [2.5]	13.00	15.50	73	875 [413]
	RCFL-A*3617(RGRM-04?MAE?)	29,200 [8.6]	21,100 [6.2]	8,100 [2.4]	12.00	14.50	73	1,025 [484]
	RCFL-A*3617(RGRM-06?MAE?)	28,800 [8.4]	20,000 [5.9]	8,800 [2.6]	13.00	15.50	73	825 [389]

① Highest sales volume tested combination required by D.O.E. test procedures.

[] Designates Metric Conversions



Performance Data @ AHRI Standard Conditions—Cooling

Model Numbers		80°F [26.5°C] DB/67°F [19.5°C] WB Indoor Air 95°F [35°C] DB Outdoor Air					Sound Rating dB	Indoor CFM [L/s]
Outdoor Unit RAPM-	Indoor Coil and/or Air Handler	Total Capacity BTU/H [kW]	Net Sensible BTU/H [kW]	Net Latent BTU/H [kW]	EER	SEER		
Rev. 6/14/12	RCFL-A*3617(RGRM-07?MAE?)	28,800 [8.4]	20,100 [5.9]	8,700 [2.5]	12.50	15.10	73	850 [401]
	RCFL-A*3617(RGTM-06?MAE?)	29,000 [8.5]	20,450 [6.0]	8,550 [2.5]	13.00	15.50	73	900 [425]
	RCFL-A*3617(RHWB-04WMX36A)	29,600 [8.7]	21,600 [6.3]	8,000 [2.3]	13.00	15.50	73	1,025 [484]
	RCFL-A*3617(RHWB-06WMX48A)	29,400 [8.6]	21,200 [6.2]	8,200 [2.4]	13.00	15.50	73	950 [448]
	RCFL-A*3617(ROCA-070E03)	29,600 [8.7]	21,400 [6.3]	8,200 [2.4]	13.00	15.50	73	1,000 [472]
	RCFL-A*3617(ROCA-070E04)	29,600 [8.7]	21,400 [6.3]	8,200 [2.4]	13.00	15.50	73	1,000 [472]
	RCFL-A*3617(ROLA-070E03)	29,600 [8.7]	21,400 [6.3]	8,200 [2.4]	13.00	15.50	73	975 [460]
	RCFL-A*3617(ROLA-070E04)	29,600 [8.7]	21,400 [6.3]	8,200 [2.4]	13.00	15.50	73	1,025 [484]
	RCFL-A*3617+RXMD-C04	29,000 [8.5]	21,000 [6.2]	8,000 [2.3]	12.00	14.50	73	1,000 [472]
	RCFL-A*3621(RGFE-06?MCK?)	29,400 [8.6]	21,300 [6.2]	8,100 [2.4]	12.50	15.10	73	1,000 [472]
	RCFL-A*3621(RGFE-07?MCK?)	29,200 [8.6]	21,150 [6.2]	8,050 [2.4]	13.00	15.00	73	1,025 [484]
	RCFL-A*3621(RGFE-09?ZCM?)	29,600 [8.7]	21,450 [6.3]	8,150 [2.4]	13.00	15.50	73	975 [460]
	RCFL-A*3621(RGFE-10?ZCM?)	29,600 [8.7]	21,450 [6.3]	8,150 [2.4]	13.00	15.50	73	1,000 [472]
	RCFL-A*3621(RGFG-06?MCK?)	28,800 [8.4]	20,200 [5.9]	8,600 [2.5]	13.00	15.50	73	875 [413]
	RCFL-A*3621(RGFG-07?MCK?)	29,000 [8.5]	20,200 [5.9]	8,800 [2.6]	13.00	15.50	73	850 [401]
	RCFL-A*3621(RGFG-09?ZCM?)	29,000 [8.5]	20,400 [6.0]	8,600 [2.5]	13.00	16.00	73	875 [413]
	RCFL-A*3621(RGFG-10?ZCM?)	29,200 [8.6]	20,600 [6.0]	8,600 [2.5]	13.00	15.50	73	900 [425]
	RCFL-A*3621(RGGE-06?MCK?)	29,400 [8.6]	21,300 [6.2]	8,100 [2.4]	12.50	15.10	73	1,025 [484]
	RCFL-A*3621(RGGE-07?MCK?)	29,400 [8.6]	21,300 [6.2]	8,100 [2.4]	12.50	15.10	73	1,025 [484]
	RCFL-A*3621(RGGE-09?ZCM?)	29,600 [8.7]	21,450 [6.3]	8,150 [2.4]	13.00	15.50	73	1,000 [472]
	RCFL-A*3621(RGGE-10?ZCM?)	29,600 [8.7]	21,450 [6.3]	8,150 [2.4]	13.00	15.50	73	1,000 [472]
	RCFL-A*3621(RGLE-07?AMK?)	29,400 [8.6]	21,250 [6.2]	8,150 [2.4]	13.00	15.50	73	1,025 [484]
	RCFL-A*3621(RGLE-07?BRQ?)	29,400 [8.6]	20,900 [6.1]	8,500 [2.5]	13.00	16.00	73	925 [437]
	RCFL-A*3621(RGLE-10?BRM?)	29,800 [8.7]	21,800 [6.4]	8,000 [2.3]	13.00	16.00	73	1,050 [495]
	RCFL-A*3621(RGLT-07?AMK?)	29,200 [8.6]	20,500 [6.0]	8,700 [2.5]	13.00	16.00	73	875 [413]
	RCFL-A*3621(RGLT-07?BRQ?)	29,800 [8.7]	21,550 [6.3]	8,250 [2.4]	13.00	16.00	73	975 [460]
	RCFL-A*3621(RGLT-10?BRM?)	29,800 [8.7]	21,550 [6.3]	8,250 [2.4]	13.00	16.00	73	975 [460]
	RCFL-A*3621(RGPE-05?BMK?)	29,400 [8.6]	21,300 [6.2]	8,100 [2.4]	12.50	15.10	73	975 [460]
	RCFL-A*3621(RGPE-07?AMK?)	29,400 [8.6]	21,250 [6.2]	8,150 [2.4]	13.00	15.50	73	1,000 [472]
	RCFL-A*3621(RGPE-07?BRQ?)	29,600 [8.7]	21,450 [6.3]	8,150 [2.4]	13.00	16.00	73	1,025 [484]
	RCFL-A*3621(RGPE-10?BRM?)	30,000 [8.8]	22,100 [6.5]	7,900 [2.3]	13.00	16.00	73	1,075 [507]
	RCFL-A*3621(RGPT-05?BMK?)	29,000 [8.5]	20,350 [6.0]	8,650 [2.5]	13.00	15.50	73	875 [413]
	RCFL-A*3621(RGPT-07?AMK?)	29,000 [8.5]	20,500 [6.0]	8,500 [2.5]	13.00	15.50	73	875 [413]
	RCFL-A*3621(RGPT-07?BRQ?)	29,800 [8.7]	21,800 [6.4]	8,000 [2.3]	13.00	16.00	73	975 [460]
	RCFL-A*3621(RGPT-10?BRM?)	29,800 [8.7]	21,550 [6.3]	8,250 [2.4]	13.00	16.00	73	975 [460]
	RCFL-A*3621(RGRM-04?MAE?)	29,200 [8.6]	21,100 [6.2]	8,100 [2.4]	12.00	14.50	73	1,025 [484]
	RCFL-A*3621(RGRM-06?MAE?)	28,800 [8.4]	20,000 [5.9]	8,800 [2.6]	13.00	15.50	73	825 [389]
	RCFL-A*3621(RGRM-07?MAE?)	28,800 [8.4]	20,100 [5.9]	8,700 [2.5]	12.50	15.10	73	850 [401]
	RCFL-A*3621(RGRM-07?YBG?)	29,200 [8.6]	21,100 [6.2]	8,100 [2.4]	12.00	14.50	73	975 [460]
	RCFL-A*3621(RGRM-09?ZAJ?)	29,200 [8.6]	20,900 [6.1]	8,300 [2.4]	13.00	15.50	73	950 [448]
	RCFL-A*3621(RGRM-10?ZAJ?)	29,400 [8.6]	21,300 [6.2]	8,100 [2.4]	12.50	15.10	73	1,025 [484]
	RCFL-A*3621(RGTM-06?MAE?)	29,000 [8.5]	20,450 [6.0]	8,550 [2.5]	13.00	15.50	73	900 [425]
RCFL-A*3621(RGTM-07?RBG?)	29,400 [8.6]	21,000 [6.2]	8,400 [2.5]	13.00	15.50	73	950 [448]	
RCFL-A*3621(RGTM-09?ZAJ?)	29,600 [8.7]	21,400 [6.3]	8,200 [2.4]	13.00	16.00	73	975 [460]	
RCFL-A*3621(RHWB-04WMX36A)	29,600 [8.7]	21,600 [6.3]	8,000 [2.3]	13.00	15.50	73	1,025 [484]	
RCFL-A*3621(RHWB-06WMX48A)	29,600 [8.7]	21,600 [6.3]	8,000 [2.3]	13.00	15.50	73	975 [460]	
RCFL-A*3621(ROCA-070E03)	29,600 [8.7]	21,400 [6.3]	8,200 [2.4]	13.00	15.50	73	1,000 [472]	
RCFL-A*3621(ROCA-070E04)	29,600 [8.7]	21,400 [6.3]	8,200 [2.4]	13.00	15.50	73	1,000 [472]	

① Highest sales volume tested combination required by D.O.E. test procedures.

[] Designates Metric Conversions

Performance Data @ AHRI Standard Conditions—Cooling

Model Numbers		80°F [26.5°C] DB/67°F [19.5°C] WB Indoor Air 95°F [35°C] DB Outdoor Air					Sound Rating dB	Indoor CFM [L/s]
Outdoor Unit RAPM-	Indoor Coil and/or Air Handler	Total Capacity BTU/H [kW]	Net Sensible BTU/H [kW]	Net Latent BTU/H [kW]	EER	SEER		
Rev. 6/14/12	RCFL-A*3621(ROLA-070E03)	29,200 [8.6]	20,600 [6.0]	8,600 [2.5]	13.00	16.00	73	900 [425]
	RCFL-A*3621(ROLA-070E04)	29,200 [8.6]	20,600 [6.0]	8,600 [2.5]	13.00	16.00	73	900 [425]
	RCFL-A*3621(ROLA-115E05)	29,200 [8.6]	20,600 [6.0]	8,600 [2.5]	13.00	16.00	73	900 [425]
	RCFL-A*3621+RXMD-C04	29,000 [8.5]	21,000 [6.2]	8,000 [2.3]	12.00	14.50	73	1,000 [472]
	RCFL-A*3821(RGFG-06?MCK?)	29,800 [8.7]	21,350 [6.3]	8,450 [2.5]	13.00	15.50	73	875 [413]
	RCFL-A*3821(RGFG-07?MCK?)	29,800 [8.7]	21,200 [6.2]	8,600 [2.5]	13.00	16.00	73	850 [401]
	RCFL-A*3821(RGFG-09?ZCM?)	30,000 [8.8]	21,500 [6.3]	8,500 [2.5]	13.00	16.00	73	875 [413]
	RCFL-A*3821(RGFG-10?ZCM?)	30,200 [8.8]	21,800 [6.4]	8,400 [2.5]	13.00	16.00	73	900 [425]
	RCFL-A*3821(RGLT-07?AMK?)	30,000 [8.8]	21,750 [6.4]	8,250 [2.4]	13.00	16.00	73	925 [437]
	RCFL-A*3821(RGLT-07?BRQ?)	30,600 [9.0]	22,700 [6.7]	7,900 [2.3]	13.00	16.00	73	1,025 [484]
	RCFL-A*3821(RGLT-10?BRM?)	30,600 [9.0]	22,700 [6.7]	7,900 [2.3]	13.00	16.00	73	1,025 [484]
	RCFL-A*3821(RGPT-05?BMK?)	29,800 [8.7]	21,450 [6.3]	8,350 [2.4]	13.00	15.50	73	900 [425]
	RCFL-A*3821(RGPT-07?AMK?)	30,000 [8.8]	21,750 [6.4]	8,250 [2.4]	13.00	16.00	73	925 [437]
	RCFL-A*3821(RGPT-07?BRQ?)	30,600 [9.0]	22,700 [6.7]	7,900 [2.3]	13.00	16.00	73	1,025 [484]
	RCFL-A*3821(RGPT-10?BRM?)	30,600 [9.0]	22,700 [6.7]	7,900 [2.3]	13.00	16.00	73	1,025 [484]
	RCFL-A*3821(RHWB-04WMX36A)	31,000 [9.1]	23,400 [6.9]	7,600 [2.2]	13.00	16.00	73	1,075 [507]
	RCFL-A*3821(RHWB-06WMX48A)	30,600 [9.0]	22,800 [6.7]	7,800 [2.3]	13.00	16.00	73	1,000 [472]
	RCFL-A*3821(ROCA-070E03)	30,200 [8.8]	22,200 [6.5]	8,000 [2.3]	13.00	15.50	73	1,000 [472]
	RCFL-A*3821(ROCA-070E04)	30,200 [8.8]	22,200 [6.5]	8,000 [2.3]	13.00	15.50	73	1,000 [472]
	RCFL-A*3821(ROLA-070E03)	30,200 [8.8]	22,200 [6.5]	8,000 [2.3]	13.00	16.00	73	975 [460]
	RCFL-A*3821(ROLA-070E04)	30,400 [8.9]	22,550 [6.6]	7,850 [2.3]	13.00	16.00	73	1,025 [484]
	RCFL-A*3821(ROLA-115E05)	30,600 [9.0]	22,800 [6.7]	7,800 [2.3]	13.00	16.00	73	1,050 [495]
	RCFL-A*3824(RGFG-09?ZCM?)	30,000 [8.8]	21,500 [6.3]	8,500 [2.5]	13.00	16.00	73	875 [413]
	RCFL-A*3824(RGFG-10?ZCM?)	30,000 [8.8]	21,600 [6.3]	8,400 [2.5]	13.00	16.00	73	900 [425]
	RCFL-A*3824(RGFG-12?RCM?)	30,000 [8.8]	21,450 [6.3]	8,550 [2.5]	13.00	16.00	73	875 [413]
	RCFL-A*3824(RGLT-07?BRQ?)	30,600 [9.0]	22,700 [6.7]	7,900 [2.3]	13.00	16.00	73	1,025 [484]
	RCFL-A*3824(RGLT-10?BRM?)	30,600 [9.0]	22,700 [6.7]	7,900 [2.3]	13.00	16.00	73	1,025 [484]
	RCFL-A*3824(RGLT-12?ARM?)	30,400 [8.9]	22,350 [6.5]	8,050 [2.4]	13.00	16.00	73	975 [460]
	RCFL-A*3824(RGPT-07?BRQ?)	30,600 [9.0]	22,700 [6.7]	7,900 [2.3]	13.00	16.00	73	1,025 [484]
	RCFL-A*3824(RGPT-10?BRM?)	30,600 [9.0]	22,700 [6.7]	7,900 [2.3]	13.00	16.00	73	1,025 [484]
	RCFL-A*3824(RGPT-12?ARM?)	30,400 [8.9]	22,350 [6.5]	8,050 [2.4]	13.00	16.00	73	975 [460]
	RCFL-A*3824(ROCA-070E03)	30,200 [8.8]	22,200 [6.5]	8,000 [2.3]	13.00	15.50	73	1,000 [472]
	RCFL-A*3824(ROCA-070E04)	30,200 [8.8]	22,200 [6.5]	8,000 [2.3]	13.00	15.50	73	1,000 [472]
	RCFL-A*3824(ROLA-070E03)	30,200 [8.8]	22,200 [6.5]	8,000 [2.3]	13.00	16.00	73	975 [460]
	RCFL-A*3824(ROLA-070E04)	30,200 [8.8]	22,200 [6.5]	8,000 [2.3]	13.00	16.00	73	975 [460]
	RCFL-A*3824(ROLA-115E05)	29,800 [8.7]	21,450 [6.3]	8,350 [2.4]	13.00	16.00	73	900 [425]
	RCFL-H*3617(RGFE-06?MCK?)	29,200 [8.6]	21,100 [6.2]	8,100 [2.4]	12.50	15.00	73	1,000 [472]
	RCFL-H*3617(RGFE-07?MCK?)	29,200 [8.6]	21,150 [6.2]	8,050 [2.4]	12.50	14.50	73	1,025 [484]
	RCFL-H*3617(RGFG-06?MCK?)	28,800 [8.4]	20,200 [5.9]	8,600 [2.5]	13.00	15.50	73	875 [413]
	RCFL-H*3617(RGFG-07?MCK?)	28,800 [8.4]	20,200 [5.9]	8,600 [2.5]	13.00	15.50	73	850 [401]
	RCFL-H*3617(RGGE-06?MCK?)	29,400 [8.6]	21,300 [6.2]	8,100 [2.4]	12.50	15.10	73	1,025 [484]
	RCFL-H*3617(RGGE-07?MCK?)	29,400 [8.6]	21,300 [6.2]	8,100 [2.4]	12.50	15.10	73	1,025 [484]
	RCFL-H*3617(RGJF-06?MCK?)	29,400 [8.6]	21,300 [6.2]	8,100 [2.4]	12.50	15.10	73	1,025 [484]
	RCFL-H*3617(RGJF-07?MCK?)	29,400 [8.6]	21,300 [6.2]	8,100 [2.4]	12.50	15.10	73	1,025 [484]
	RCFL-H*3617(RGLE-07?AMK?)	29,400 [8.6]	21,300 [6.2]	8,100 [2.4]	13.00	15.50	73	1,025 [484]
RCFL-H*3617(RGLT-07?AMK?)	29,000 [8.5]	20,350 [6.0]	8,650 [2.5]	13.00	16.00	73	875 [413]	
RCFL-H*3617(RGPE-05?BMK?)	29,400 [8.6]	21,300 [6.2]	8,100 [2.4]	12.50	15.10	73	975 [460]	
RCFL-H*3617(RGPE-07?AMK?)	29,400 [8.6]	21,300 [6.2]	8,100 [2.4]	12.50	15.10	73	1,000 [472]	

① Highest sales volume tested combination required by D.O.E. test procedures.

[] Designates Metric Conversions

Performance Data @ AHRI Standard Conditions—Cooling

Model Numbers		80°F [26.5°C] DB/67°F [19.5°C] WB Indoor Air 95°F [35°C] DB Outdoor Air					Sound Rating dB	Indoor CFM [L/s]
Outdoor Unit RAPM-	Indoor Coil and/or Air Handler	Total Capacity BTU/H [kW]	Net Sensible BTU/H [kW]	Net Latent BTU/H [kW]	EER	SEER		
Rev. 6/14/12	RCFL-H*3617(RGPT-05?BMK?)	28,800 [8.4]	20,100 [5.9]	8,700 [2.5]	13.00	15.50	73	850 [401]
	RCFL-H*3617(RGPT-07?AMK?)	29,000 [8.5]	20,350 [6.0]	8,650 [2.5]	13.00	15.50	73	875 [413]
	RCFL-H*3617(RGRM-04?MAE?)	29,200 [8.6]	21,100 [6.2]	8,100 [2.4]	12.00	14.50	73	1,025 [484]
	RCFL-H*3617(RGRM-06?MAE?)	28,800 [8.4]	20,000 [5.9]	8,800 [2.6]	13.00	15.50	73	825 [389]
	RCFL-H*3617(RGRM-07?MAE?)	28,800 [8.4]	20,100 [5.9]	8,700 [2.5]	12.50	15.10	73	850 [401]
	RCFL-H*3617(RGTM-06?MAE?)	29,000 [8.5]	20,450 [6.0]	8,550 [2.5]	13.00	15.50	73	900 [425]
	RCFL-H*3617(RHWB-04WMX36A)	29,600 [8.7]	21,600 [6.3]	8,000 [2.3]	13.00	15.50	73	1,025 [484]
	RCFL-H*3617(RHWB-06WMX48A)	29,400 [8.6]	21,200 [6.2]	8,200 [2.4]	13.00	15.50	73	950 [448]
	RCFL-H*3617(ROCA-070E03)	29,600 [8.7]	21,400 [6.3]	8,200 [2.4]	13.00	15.50	73	1,000 [472]
	RCFL-H*3617(ROCA-070E04)	29,600 [8.7]	21,400 [6.3]	8,200 [2.4]	13.00	15.50	73	1,000 [472]
	RCFL-H*3617(ROLA-070E03)	29,600 [8.7]	21,400 [6.3]	8,200 [2.4]	13.00	15.50	73	975 [460]
	RCFL-H*3617(ROLA-070E04)	29,600 [8.7]	21,400 [6.3]	8,200 [2.4]	13.00	15.50	73	1,025 [484]
	RCFL-H*3621(RGFE-06?MCK?)	29,400 [8.6]	21,300 [6.2]	8,100 [2.4]	12.50	15.10	73	1,000 [472]
	RCFL-H*3621(RGFE-07?MCK?)	29,200 [8.6]	21,150 [6.2]	8,050 [2.4]	13.00	15.00	73	1,025 [484]
	RCFL-H*3621(RGFE-09?ZCM?)	29,600 [8.7]	21,450 [6.3]	8,150 [2.4]	13.00	15.50	73	975 [460]
	RCFL-H*3621(RGFE-10?ZCM?)	29,600 [8.7]	21,450 [6.3]	8,150 [2.4]	13.00	15.50	73	1,000 [472]
	RCFL-H*3621(RGFG-06?MCK?)	28,800 [8.4]	20,200 [5.9]	8,600 [2.5]	13.00	15.50	73	875 [413]
	RCFL-H*3621(RGFG-07?MCK?)	29,000 [8.5]	20,200 [5.9]	8,800 [2.6]	13.00	15.50	73	850 [401]
	RCFL-H*3621(RGFG-09?ZCM?)	29,000 [8.5]	20,400 [6.0]	8,600 [2.5]	13.00	16.00	73	875 [413]
	RCFL-H*3621(RGFG-10?ZCM?)	29,200 [8.6]	20,600 [6.0]	8,600 [2.5]	13.00	15.50	73	900 [425]
	RCFL-H*3621(RGGE-06?MCK?)	29,400 [8.6]	21,300 [6.2]	8,100 [2.4]	12.50	15.10	73	1,025 [484]
	RCFL-H*3621(RGGE-07?MCK?)	29,400 [8.6]	21,300 [6.2]	8,100 [2.4]	12.50	15.10	73	1,025 [484]
	RCFL-H*3621(RGGE-09?ZCM?)	29,600 [8.7]	21,450 [6.3]	8,150 [2.4]	13.00	15.50	73	1,000 [472]
	RCFL-H*3621(RGGE-10?ZCM?)	29,600 [8.7]	21,450 [6.3]	8,150 [2.4]	13.00	15.50	73	1,000 [472]
	RCFL-H*3621(RGJF-06?MCK?)	29,400 [8.6]	21,300 [6.2]	8,100 [2.4]	12.50	15.10	73	1,025 [484]
	RCFL-H*3621(RGJF-07?MCK?)	29,400 [8.6]	21,300 [6.2]	8,100 [2.4]	12.50	15.10	73	1,025 [484]
	RCFL-H*3621(RGJF-09?ZCM?)	29,600 [8.7]	21,450 [6.3]	8,150 [2.4]	13.00	15.50	73	1,000 [472]
	RCFL-H*3621(RGJF-10?ZCM?)	29,600 [8.7]	21,450 [6.3]	8,150 [2.4]	13.00	15.50	73	1,000 [472]
	RCFL-H*3621(RGLE-07?AMK?)	29,400 [8.6]	21,250 [6.2]	8,150 [2.4]	13.00	15.50	73	1,025 [484]
	RCFL-H*3621(RGLE-07?BRQ?)	29,400 [8.6]	20,900 [6.1]	8,500 [2.5]	13.00	16.00	73	925 [437]
	RCFL-H*3621(RGLE-10?BRM?)	29,800 [8.7]	21,800 [6.4]	8,000 [2.3]	13.00	16.00	73	1,050 [495]
	RCFL-H*3621(RGLT-07?AMK?)	29,200 [8.6]	20,500 [6.0]	8,700 [2.5]	13.00	16.00	73	875 [413]
	RCFL-H*3621(RGLT-07?BRQ?)	29,800 [8.7]	21,550 [6.3]	8,250 [2.4]	13.00	16.00	73	975 [460]
	RCFL-H*3621(RGLT-10?BRM?)	29,800 [8.7]	21,550 [6.3]	8,250 [2.4]	13.00	16.00	73	975 [460]
RCFL-H*3621(RGPE-05?BMK?)	29,400 [8.6]	21,300 [6.2]	8,100 [2.4]	12.50	15.10	73	975 [460]	
RCFL-H*3621(RGPE-07?AMK?)	29,400 [8.6]	21,250 [6.2]	8,150 [2.4]	13.00	15.50	73	1,000 [472]	
RCFL-H*3621(RGPE-07?BRQ?)	29,600 [8.7]	21,450 [6.3]	8,150 [2.4]	13.00	16.00	73	1,025 [484]	
RCFL-H*3621(RGPE-10?BRM?)	30,000 [8.8]	22,100 [6.5]	7,900 [2.3]	13.00	16.00	73	1,075 [507]	
RCFL-H*3621(RGPT-05?BMK?)	29,000 [8.5]	20,350 [6.0]	8,650 [2.5]	13.00	15.50	73	875 [413]	
RCFL-H*3621(RGPT-07?AMK?)	29,000 [8.5]	20,500 [6.0]	8,500 [2.5]	13.00	15.50	73	875 [413]	
RCFL-H*3621(RGPT-07?BRQ?)	29,800 [8.7]	21,800 [6.4]	8,000 [2.3]	13.00	16.00	73	975 [460]	
RCFL-H*3621(RGPT-10?BRM?)	29,800 [8.7]	21,550 [6.3]	8,250 [2.4]	13.00	16.00	73	975 [460]	
RCFL-H*3621(RGRM-04?MAE?)	29,200 [8.6]	21,100 [6.2]	8,100 [2.4]	12.00	14.50	73	1,025 [484]	
RCFL-H*3621(RGRM-06?MAE?)	28,800 [8.4]	20,000 [5.9]	8,800 [2.6]	13.00	15.50	73	825 [389]	
RCFL-H*3621(RGRM-07?MAE?)	28,800 [8.4]	20,100 [5.9]	8,700 [2.5]	12.50	15.10	73	850 [401]	
RCFL-H*3621(RGRM-07?YBG?)	29,200 [8.6]	21,100 [6.2]	8,100 [2.4]	12.00	14.50	73	975 [460]	
RCFL-H*3621(RGRM-09?ZAJ?)	29,200 [8.6]	20,900 [6.1]	8,300 [2.4]	13.00	15.50	73	950 [448]	
RCFL-H*3621(RGRM-10?ZAJ?)	29,400 [8.6]	21,300 [6.2]	8,100 [2.4]	12.50	15.10	73	1,025 [484]	

① Highest sales volume tested combination required by D.O.E. test procedures.

[] Designates Metric Conversions

Performance Data @ AHRI Standard Conditions—Cooling

Model Numbers		80°F [26.5°C] DB/67°F [19.5°C] WB Indoor Air 95°F [35°C] DB Outdoor Air					Sound Rating dB	Indoor CFM [L/s]	
Outdoor Unit RAPM-	Indoor Coil and/or Air Handler	Total Capacity BTU/H [kW]	Net Sensible BTU/H [kW]	Net Latent BTU/H [kW]	EER	SEER			
Rev. 6/14/12	RCFL-H*3821(RGTM-07?RBG?)	30,000 [8.8]	21,850 [6.4]	8,150 [2.4]	13.00	16.00	73	950 [448]	
	RCFL-H*3821(RGTM-09?ZAJ?)	30,400 [8.9]	22,400 [6.6]	8,000 [2.3]	13.00	16.00	73	975 [460]	
	RCFL-H*3821(ROCA-070E03)	30,200 [8.8]	22,200 [6.5]	8,000 [2.3]	13.00	15.50	73	1,000 [472]	
	RCFL-H*3821(ROCA-070E04)	30,200 [8.8]	22,200 [6.5]	8,000 [2.3]	13.00	15.50	73	1,000 [472]	
	RCFL-H*3821(ROLA-070E03)	30,200 [8.8]	22,200 [6.5]	8,000 [2.3]	13.00	16.00	73	975 [460]	
	RCFL-H*3821(ROLA-070E04)	30,400 [8.9]	22,550 [6.6]	7,850 [2.3]	13.00	16.00	73	1,025 [484]	
	RCFL-H*3821(ROLA-115E05)	30,600 [9.0]	22,800 [6.7]	7,800 [2.3]	13.00	16.00	73	1,050 [495]	
	RCFL-H*3821+RXMD-C04	29,800 [8.7]	21,950 [6.4]	7,850 [2.3]	12.00	14.50	73	995 [470]	
	RCFL-H*3824(RGFE-09?ZCM?)	30,400 [8.9]	22,550 [6.6]	7,850 [2.3]	13.00	15.50	73	1,025 [484]	
	RCFL-H*3824(RGFE-10?ZCM?)	29,800 [8.7]	21,450 [6.3]	8,350 [2.4]	13.00	16.00	73	900 [425]	
	RCFL-H*3824(RGFE-12?RCM?)	30,400 [8.9]	22,400 [6.6]	8,000 [2.3]	13.00	16.00	73	975 [460]	
	RCFL-H*3824(RGFG-09?ZCM?)	30,000 [8.8]	21,500 [6.3]	8,500 [2.5]	13.00	16.00	73	875 [413]	
	RCFL-H*3824(RGFG-10?ZCM?)	30,000 [8.8]	21,600 [6.3]	8,400 [2.5]	13.00	16.00	73	900 [425]	
	RCFL-H*3824(RGFG-12?RCM?)	30,000 [8.8]	21,450 [6.3]	8,550 [2.5]	13.00	16.00	73	875 [413]	
	RCFL-H*3824(RGGE-09?ZCM?)	30,200 [8.8]	22,200 [6.5]	8,000 [2.3]	13.00	16.00	73	1,000 [472]	
	RCFL-H*3824(RGGE-10?ZCM?)	30,200 [8.8]	22,200 [6.5]	8,000 [2.3]	13.00	16.00	73	1,000 [472]	
	RCFL-H*3824(RGGE-12?RCM?)	30,600 [9.0]	22,800 [6.7]	7,800 [2.3]	13.00	16.00	73	1,050 [495]	
	RCFL-H*3824(RGJF-09?ZCM?)	30,400 [8.9]	22,550 [6.6]	7,850 [2.3]	13.00	16.00	73	1,025 [484]	
	RCFL-H*3824(RGJF-10?ZCM?)	30,400 [8.9]	22,650 [6.6]	7,750 [2.3]	13.00	15.50	73	1,050 [495]	
	RCFL-H*3824(RGJF-12?RCM?)	30,600 [9.0]	22,800 [6.7]	7,800 [2.3]	13.00	16.00	73	1,050 [495]	
	RCFL-H*3824(RGLE-07?BRQ?)	30,000 [8.8]	21,700 [6.4]	8,300 [2.4]	13.00	16.00	73	925 [437]	
	RCFL-H*3824(RGLE-10?BRM?)	29,800 [8.7]	21,350 [6.3]	8,450 [2.5]	13.00	16.00	73	875 [413]	
	RCFL-H*3824(RGLE-12?ARM?)	30,200 [8.8]	21,900 [6.4]	8,300 [2.4]	13.00	16.00	73	925 [437]	
	030JEZ	RCFL-H*3824(RGLT-07?BRQ?)	30,600 [9.0]	22,700 [6.7]	7,900 [2.3]	13.00	16.00	73	1,025 [484]
		RCFL-H*3824(RGLT-10?BRM?)	30,600 [9.0]	22,700 [6.7]	7,900 [2.3]	13.00	16.00	73	1,025 [484]
		RCFL-H*3824(RGLT-12?ARM?)	30,400 [8.9]	22,350 [6.5]	8,050 [2.4]	13.00	16.00	73	975 [460]
		RCFL-H*3824(RGPE-07?BRQ?)	30,000 [8.8]	21,650 [6.3]	8,350 [2.4]	13.00	16.00	73	900 [425]
		RCFL-H*3824(RGPE-10?BRM?)	30,800 [9.0]	23,100 [6.8]	7,700 [2.3]	13.00	16.00	73	1,075 [507]
		RCFL-H*3824(RGPE-12?ARM?)	30,800 [9.0]	23,100 [6.8]	7,700 [2.3]	13.00	16.00	73	1,075 [507]
		RCFL-H*3824(RGPT-07?BRQ?)	30,600 [9.0]	22,700 [6.7]	7,900 [2.3]	13.00	16.00	73	1,025 [484]
		RCFL-H*3824(RGPT-10?BRM?)	30,600 [9.0]	22,700 [6.7]	7,900 [2.3]	13.00	16.00	73	1,025 [484]
		RCFL-H*3824(RGPT-12?ARM?)	30,400 [8.9]	22,350 [6.5]	8,050 [2.4]	13.00	16.00	73	975 [460]
		RCFL-H*3824(RGRM-07?YBG?)	29,400 [8.6]	20,950 [6.1]	8,450 [2.5]	12.50	15.10	73	850 [401]
		RCFL-H*3824(RGRM-09?ZAJ?)	30,400 [8.9]	22,750 [6.7]	7,650 [2.2]	13.00	15.50	73	1,075 [507]
		RCFL-H*3824(RGRM-10?ZAJ?)	30,200 [8.8]	22,350 [6.5]	7,850 [2.3]	13.00	15.50	73	1,025 [484]
		RCFL-H*3824(RGRM-12?RAJ?)	30,000 [8.8]	21,750 [6.4]	8,250 [2.4]	13.00	16.00	73	925 [437]
RCFL-H*3824(RGTM-07?RBG?)		30,000 [8.8]	21,850 [6.4]	8,150 [2.4]	13.00	16.00	73	950 [448]	
RCFL-H*3824(RGTM-09?ZAJ?)		30,800 [9.0]	23,250 [6.8]	7,550 [2.2]	13.00	16.00	73	1,100 [519]	
RCFL-H*3824(ROCA-070E03)		30,200 [8.8]	22,200 [6.5]	8,000 [2.3]	13.00	15.50	73	1,000 [472]	
RCFL-H*3824(ROCA-070E04)		30,200 [8.8]	22,200 [6.5]	8,000 [2.3]	13.00	15.50	73	1,000 [472]	
RCFL-H*3824(ROLA-070E03)		30,200 [8.8]	22,200 [6.5]	8,000 [2.3]	13.00	16.00	73	975 [460]	
RCFL-H*3824(ROLA-070E04)		30,200 [8.8]	22,200 [6.5]	8,000 [2.3]	13.00	16.00	73	975 [460]	
RCFL-H*3824(ROLA-115E05)		29,800 [8.7]	21,450 [6.3]	8,350 [2.4]	13.00	16.00	73	900 [425]	
RCFL-H*3824+RXMD-C04		29,800 [8.7]	21,950 [6.4]	7,850 [2.3]	12.00	14.50	73	995 [470]	
RBHP-21(RCHL-36A1)		28,000 [8.2]	19,450 [5.7]	8,550 [2.5]	12.50	15.00	73	1,000 [472]	
RCQD-3621(RGFE-06?MCK?)		29,800 [8.7]	22,200 [6.5]	7,600 [2.2]	13.00	15.00	73	1,000 [472]	
RCQD-3621(RGFE-07?MCK?)		29,800 [8.7]	22,200 [6.5]	7,600 [2.2]	13.00	15.00	73	1,025 [484]	
RCQD-3621(RGFE-09?ZCM?)	30,000 [8.8]	22,350 [6.5]	7,650 [2.2]	13.00	15.50	73	1,025 [484]		

① Highest sales volume tested combination required by D.O.E. test procedures.

[] Designates Metric Conversions

Performance Data @ AHRI Standard Conditions—Cooling

Model Numbers		80°F [26.5°C] DB/67°F [19.5°C] WB Indoor Air 95°F [35°C] DB Outdoor Air					Sound Rating dB	Indoor CFM [L/s]	
Outdoor Unit RAPM-	Indoor Coil and/or Air Handler	Total Capacity BTU/H [kW]	Net Sensible BTU/H [kW]	Net Latent BTU/H [kW]	EER	SEER			
Rev. 6/14/12	RCFL-H*3617+RXMD-C04 ①	35,400 [10.4]	23,800 [7.0]	11,600 [3.4]	12.00	14.50	76	1,050 [495]	
	RCFL-A*3617(RGFE-06?MCK?)	35,200 [10.3]	23,350 [6.8]	11,850 [3.5]	12.00	14.50	76	1,000 [472]	
	RCFL-A*3617(RGFE-07?MCK?)	35,400 [10.4]	23,750 [7.0]	11,650 [3.4]	12.00	14.50	76	1,025 [484]	
	RCFL-A*3617(RGFG-06?MCK?)	35,200 [10.3]	23,400 [6.9]	11,800 [3.5]	12.00	14.50	76	1,000 [472]	
	RCFL-A*3617(RGFG-07?MCK?)	35,400 [10.4]	23,800 [7.0]	11,600 [3.4]	12.00	14.50	76	1,050 [495]	
	RCFL-A*3617(RGGE-06?MCK?)	35,600 [10.4]	23,900 [7.0]	11,700 [3.4]	12.50	15.10	76	1,025 [484]	
	RCFL-A*3617(RGGE-07?MCK?)	35,600 [10.4]	23,900 [7.0]	11,700 [3.4]	12.50	15.10	76	1,025 [484]	
	RCFL-A*3617(RGLE-07?AMK?)	35,800 [10.5]	24,100 [7.1]	11,700 [3.4]	12.50	15.10	76	1,025 [484]	
	RCFL-A*3617(RGLT-07?AMK?)	35,600 [10.4]	23,900 [7.0]	11,700 [3.4]	12.50	15.10	76	1,050 [495]	
	RCFL-A*3617(RGPE-07?AMK?)	35,400 [10.4]	23,400 [6.9]	12,000 [3.5]	12.50	15.10	76	1,000 [472]	
	RCFL-A*3617(RGPT-05?BMK?)	35,400 [10.4]	23,750 [7.0]	11,650 [3.4]	12.00	14.50	76	1,050 [495]	
	RCFL-A*3617(RGPT-07?AMK?)	35,600 [10.4]	23,900 [7.0]	11,700 [3.4]	12.50	15.00	76	1,050 [495]	
	RCFL-A*3617(RGRM-04?MAE?)	35,600 [10.4]	23,950 [7.0]	11,650 [3.4]	12.00	14.50	76	1,025 [484]	
	RCFL-A*3617(RGRM-06?MAE?)	35,400 [10.4]	23,500 [6.9]	11,900 [3.5]	12.00	14.50	76	1,000 [472]	
	RCFL-A*3617(RHWB-04WMX36A)	35,800 [10.5]	24,200 [7.1]	11,600 [3.4]	12.50	15.10	76	1,025 [484]	
	RCFL-A*3617(RHWB-06WMX48A)	36,200 [10.6]	25,000 [7.3]	11,200 [3.3]	12.00	14.50	76	1,150 [543]	
	RCFL-A*3617(ROCA-070E03)	36,200 [10.6]	25,250 [7.4]	10,950 [3.2]	12.00	14.50	76	1,200 [566]	
	RCFL-A*3617(ROCA-070E04)	36,200 [10.6]	25,250 [7.4]	10,950 [3.2]	12.00	14.50	76	1,200 [566]	
	RCFL-A*3617(ROLA-070E03)	36,200 [10.6]	25,050 [7.3]	11,150 [3.3]	12.50	15.00	76	1,175 [554]	
	RCFL-A*3617(ROLA-070E04)	35,800 [10.5]	24,100 [7.1]	11,700 [3.4]	12.50	15.10	76	1,025 [484]	
	RCFL-A*3617+RXMD-C04	35,400 [10.4]	23,800 [7.0]	11,600 [3.4]	12.00	14.50	76	1,050 [495]	
	036JEZ	RCFL-A*3621(RGFE-06?MCK?)	35,200 [10.3]	23,350 [6.8]	11,850 [3.5]	12.00	14.50	76	1,000 [472]
		RCFL-A*3621(RGFE-07?MCK?)	35,600 [10.4]	23,950 [7.0]	11,650 [3.4]	12.00	14.50	76	1,025 [484]
		RCFL-A*3621(RGFE-09?ZCM?)	35,800 [10.5]	24,100 [7.1]	11,700 [3.4]	12.50	15.10	76	1,025 [484]
		RCFL-A*3621(RGFE-10?ZCM?)	35,600 [10.4]	23,900 [7.0]	11,700 [3.4]	12.50	15.10	76	1,025 [484]
		RCFL-A*3621(RGFG-06?MCK?)	35,200 [10.3]	23,400 [6.9]	11,800 [3.5]	12.50	15.00	76	1,000 [472]
		RCFL-A*3621(RGFG-07?MCK?)	35,400 [10.4]	23,800 [7.0]	11,600 [3.4]	12.50	15.00	76	1,050 [495]
		RCFL-A*3621(RGFG-09?ZCM?)	35,600 [10.4]	24,000 [7.0]	11,600 [3.4]	12.50	15.10	76	1,025 [484]
		RCFL-A*3621(RGFG-10?ZCM?)	35,800 [10.5]	24,000 [7.0]	11,800 [3.5]	12.50	15.10	76	1,050 [495]
		RCFL-A*3621(RGGE-06?MCK?)	35,600 [10.4]	23,900 [7.0]	11,700 [3.4]	12.50	15.10	76	1,025 [484]
		RCFL-A*3621(RGGE-07?MCK?)	35,600 [10.4]	23,900 [7.0]	11,700 [3.4]	12.50	15.10	76	1,025 [484]
		RCFL-A*3621(RGGE-09?ZCM?)	35,800 [10.5]	24,050 [7.0]	11,750 [3.4]	12.50	15.10	76	1,025 [484]
		RCFL-A*3621(RGGE-10?ZCM?)	35,600 [10.4]	23,900 [7.0]	11,700 [3.4]	12.50	15.10	76	1,050 [495]
		RCFL-A*3621(RGLE-07?AMK?)	35,800 [10.5]	24,050 [7.0]	11,750 [3.4]	12.50	15.10	76	1,025 [484]
RCFL-A*3621(RGLE-10?BRM?)		35,800 [10.5]	24,000 [7.0]	11,800 [3.5]	13.00	15.50	76	1,050 [495]	
RCFL-A*3621(RGLT-07?AMK?)		35,600 [10.4]	23,900 [7.0]	11,700 [3.4]	12.50	15.10	76	1,075 [507]	
RCFL-A*3621(RGLT-07?BRQ?)		36,400 [10.7]	25,350 [7.4]	11,050 [3.2]	12.50	15.10	76	1,200 [566]	
RCFL-A*3621(RGLT-10?BRM?)		36,400 [10.7]	25,200 [7.4]	11,200 [3.3]	12.50	15.10	76	1,175 [554]	
RCFL-A*3621(RGPE-07?AMK?)		35,400 [10.4]	23,400 [6.9]	12,000 [3.5]	12.50	15.10	76	1,000 [472]	
RCFL-A*3621(RGPE-07?BRQ?)		35,800 [10.5]	24,050 [7.0]	11,750 [3.4]	13.00	15.50	76	1,025 [484]	
RCFL-A*3621(RGPE-10?BRM?)		35,800 [10.5]	24,050 [7.0]	11,750 [3.4]	13.00	15.50	76	1,075 [507]	
RCFL-A*3621(RGPT-05?BMK?)		35,600 [10.4]	23,950 [7.0]	11,650 [3.4]	12.00	14.50	76	1,075 [507]	
RCFL-A*3621(RGPT-07?AMK?)		35,600 [10.4]	23,900 [7.0]	11,700 [3.4]	12.50	15.10	76	1,050 [495]	
RCFL-A*3621(RGPT-07?BRQ?)		36,000 [10.5]	24,200 [7.1]	11,800 [3.5]	13.00	15.50	76	1,050 [495]	
RCFL-A*3621(RGPT-10?BRM?)		36,400 [10.7]	25,200 [7.4]	11,200 [3.3]	12.50	15.10	76	1,175 [554]	
RCFL-A*3621(RGRM-04?MAE?)		35,600 [10.4]	23,950 [7.0]	11,650 [3.4]	12.00	14.50	76	1,025 [484]	
RCFL-A*3621(RGRM-06?MAE?)		35,400 [10.4]	23,500 [6.9]	11,900 [3.5]	12.00	14.50	76	1,000 [472]	
RCFL-A*3621(RGRM-09?ZAJ?)		35,600 [10.4]	23,950 [7.0]	11,650 [3.4]	12.50	15.00	76	1,075 [507]	

① Highest sales volume tested combination required by D.O.E. test procedures.

[] Designates Metric Conversions

Performance Data @ AHRI Standard Conditions—Cooling

Model Numbers		80°F [26.5°C] DB/67°F [19.5°C] WB Indoor Air 95°F [35°C] DB Outdoor Air					Sound Rating dB	Indoor CFM [L/s]
Outdoor Unit RAPM-	Indoor Coil and/or Air Handler	Total Capacity BTU/H [kW]	Net Sensible BTU/H [kW]	Net Latent BTU/H [kW]	EER	SEER		
Rev. 6/14/12	RCFL-A*3621(RGRM-10?ZAJ?)	35,600 [10.4]	23,900 [7.0]	11,700 [3.4]	12.50	15.10	76	1,025 [484]
	RCFL-A*3621(RHWB-04WMX36A)	35,800 [10.5]	24,200 [7.1]	11,600 [3.4]	12.50	15.10	76	1,025 [484]
	RCFL-A*3621(RHWB-06WMX48A)	36,200 [10.6]	25,100 [7.4]	11,100 [3.3]	12.00	14.50	76	1,175 [554]
	RCFL-A*3621(ROCA-070E03)	36,200 [10.6]	25,250 [7.4]	10,950 [3.2]	12.00	14.50	76	1,200 [566]
	RCFL-A*3621(ROCA-070E04)	36,200 [10.6]	25,250 [7.4]	10,950 [3.2]	12.00	14.50	76	1,200 [566]
	RCFL-A*3621(ROLA-070E03)	36,200 [10.6]	25,050 [7.3]	11,150 [3.3]	12.50	15.10	76	1,175 [554]
	RCFL-A*3621(ROLA-070E04)	36,200 [10.6]	25,050 [7.3]	11,150 [3.3]	12.50	15.10	76	1,175 [554]
	RCFL-A*3621(ROLA-115E05)	36,400 [10.7]	25,350 [7.4]	11,050 [3.2]	12.50	15.10	76	1,200 [566]
	RCFL-A*3621+RXMD-C04	35,400 [10.4]	23,800 [7.0]	11,600 [3.4]	12.00	14.50	76	1,050 [495]
	RCFL-A*3821(RGFG-07?MCK?)	37,000 [10.8]	25,250 [7.4]	11,750 [3.4]	13.00	15.50	76	1,050 [495]
	RCFL-A*3821(RGFG-09?ZCM?)	38,000 [11.1]	26,950 [7.9]	11,050 [3.2]	13.00	15.50	76	1,200 [566]
	RCFL-A*3821(RGFG-10?ZCM?)	38,000 [11.1]	26,950 [7.9]	11,050 [3.2]	13.00	15.50	76	1,200 [566]
	RCFL-A*3821(RGLT-07?AMK?)	37,200 [10.9]	25,700 [7.5]	11,500 [3.4]	13.00	15.50	76	1,100 [519]
	RCFL-A*3821(RGPT-05?BMK?)	37,200 [10.9]	25,750 [7.5]	11,450 [3.4]	12.50	15.10	76	1,100 [519]
	RCFL-A*3821(RGPT-07?AMK?)	37,200 [10.9]	25,700 [7.5]	11,500 [3.4]	12.50	15.10	76	1,100 [519]
	RCFL-A*3821(ROCA-070E03)	37,600 [11.0]	26,600 [7.8]	11,000 [3.2]	12.50	15.10	76	1,200 [566]
	RCFL-A*3821(ROCA-070E04)	37,600 [11.0]	26,600 [7.8]	11,000 [3.2]	12.50	15.10	76	1,200 [566]
	RCFL-A*3821(ROLA-070E03)	37,600 [11.0]	26,400 [7.7]	11,200 [3.3]	13.00	15.50	76	1,175 [554]
	RCFL-A*3821(ROLA-070E04)	37,600 [11.0]	26,400 [7.7]	11,200 [3.3]	13.00	15.50	76	1,175 [554]
	RCFL-A*3821(ROLA-115E05)	38,000 [11.1]	26,900 [7.9]	11,100 [3.3]	13.00	15.50	76	1,200 [566]
	RCFL-A*3824(RGFG-09?ZCM?)	38,000 [11.1]	26,950 [7.9]	11,050 [3.2]	13.00	15.50	76	1,200 [566]
	RCFL-A*3824(RGFG-10?ZCM?)	37,800 [11.1]	26,750 [7.8]	11,050 [3.2]	12.50	15.10	76	1,200 [566]
	RCFL-A*3824(RGLT-12?ARM?)	37,800 [11.1]	26,450 [7.7]	11,350 [3.3]	13.00	16.00	76	1,150 [543]
	RCFL-A*3824(RGPT-12?ARM?)	38,000 [11.1]	26,750 [7.8]	11,250 [3.3]	13.00	16.00	76	1,175 [554]
	RCFL-A*3824(ROCA-070E03)	37,600 [11.0]	26,600 [7.8]	11,000 [3.2]	12.50	15.10	76	1,200 [566]
	RCFL-A*3824(ROCA-070E04)	37,600 [11.0]	26,600 [7.8]	11,000 [3.2]	12.50	15.10	76	1,200 [566]
	RCFL-A*3824(ROLA-070E03)	37,600 [11.0]	26,450 [7.7]	11,150 [3.3]	13.00	15.50	76	1,175 [554]
	RCFL-A*3824(ROLA-070E04)	37,600 [11.0]	26,450 [7.7]	11,150 [3.3]	13.00	15.50	76	1,175 [554]
	RCFL-A*3824(ROLA-115E05)	37,000 [10.8]	25,250 [7.4]	11,750 [3.4]	13.00	15.50	76	1,050 [495]
	RCFL-H*3617(RGFE-06?MCK?)	35,200 [10.3]	23,350 [6.8]	11,850 [3.5]	12.00	14.50	76	1,000 [472]
	RCFL-H*3617(RGFE-07?MCK?)	35,400 [10.4]	23,750 [7.0]	11,650 [3.4]	12.00	14.50	76	1,025 [484]
	RCFL-H*3617(RGFG-06?MCK?)	35,200 [10.3]	23,400 [6.9]	11,800 [3.5]	12.00	14.50	76	1,000 [472]
	RCFL-H*3617(RGFG-07?MCK?)	35,400 [10.4]	23,800 [7.0]	11,600 [3.4]	12.00	14.50	76	1,050 [495]
	RCFL-H*3617(RGGE-06?MCK?)	35,600 [10.4]	23,900 [7.0]	11,700 [3.4]	12.50	15.10	76	1,025 [484]
	RCFL-H*3617(RGGE-07?MCK?)	35,600 [10.4]	23,900 [7.0]	11,700 [3.4]	12.50	15.10	76	1,025 [484]
	RCFL-H*3617(RGJF-06?MCK?)	35,600 [10.4]	23,900 [7.0]	11,700 [3.4]	12.50	15.10	76	1,025 [484]
	RCFL-H*3617(RGJF-07?MCK?)	35,600 [10.4]	23,900 [7.0]	11,700 [3.4]	12.50	15.10	76	1,025 [484]
	RCFL-H*3617(RGLE-07?AMK?)	35,800 [10.5]	24,100 [7.1]	11,700 [3.4]	12.50	15.10	76	1,025 [484]
	RCFL-H*3617(RGLT-07?AMK?)	35,600 [10.4]	23,900 [7.0]	11,700 [3.4]	12.50	15.10	76	1,050 [495]
	RCFL-H*3617(RGPE-07?AMK?)	35,400 [10.4]	23,400 [6.9]	12,000 [3.5]	12.50	15.10	76	1,000 [472]
	RCFL-H*3617(RGPT-05?BMK?)	35,400 [10.4]	23,750 [7.0]	11,650 [3.4]	12.00	14.50	76	1,050 [495]
	RCFL-H*3617(RGPT-07?AMK?)	35,600 [10.4]	23,900 [7.0]	11,700 [3.4]	12.50	15.00	76	1,050 [495]
	RCFL-H*3617(RGRM-04?MAE?)	35,600 [10.4]	23,950 [7.0]	11,650 [3.4]	12.00	14.50	76	1,025 [484]
RCFL-H*3617(RGRM-06?MAE?)	35,400 [10.4]	23,500 [6.9]	11,900 [3.5]	12.00	14.50	76	1,000 [472]	
RCFL-H*3617(RGTM-06?MAE?)	35,600 [10.4]	23,950 [7.0]	11,650 [3.4]	12.00	14.50	76	1,025 [484]	
RCFL-H*3617(RHWB-04WMX36A)	35,800 [10.5]	24,200 [7.1]	11,600 [3.4]	12.50	15.10	76	1,025 [484]	
RCFL-H*3617(RHWB-06WMX48A)	36,200 [10.6]	25,000 [7.3]	11,200 [3.3]	12.00	14.50	76	1,150 [543]	
RCFL-H*3617(ROCA-070E03)	36,200 [10.6]	25,250 [7.4]	10,950 [3.2]	12.00	14.50	76	1,200 [566]	

① Highest sales volume tested combination required by D.O.E. test procedures.

[] Designates Metric Conversions

Performance Data @ AHRI Standard Conditions—Cooling

Model Numbers		80°F [26.5°C] DB/67°F [19.5°C] WB Indoor Air 95°F [35°C] DB Outdoor Air					Sound Rating dB	Indoor CFM [L/s]
Outdoor Unit RAPM-	Indoor Coil and/or Air Handler	Total Capacity BTU/H [kW]	Net Sensible BTU/H [kW]	Net Latent BTU/H [kW]	EER	SEER		
Rev. 6/14/12	RCFL-H*3617(ROCA-070E04)	36,200 [10.6]	25,250 [7.4]	10,950 [3.2]	12.00	14.50	76	1,200 [566]
	RCFL-H*3617(ROLA-070E03)	36,200 [10.6]	25,050 [7.3]	11,150 [3.3]	12.50	15.00	76	1,175 [554]
	RCFL-H*3617(ROLA-070E04)	35,800 [10.5]	24,100 [7.1]	11,700 [3.4]	12.50	15.10	76	1,025 [484]
	RCFL-H*3621(RGFE-06?MCK?)	35,200 [10.3]	23,350 [6.8]	11,850 [3.5]	12.00	14.50	76	1,000 [472]
	RCFL-H*3621(RGFE-07?MCK?)	35,600 [10.4]	23,950 [7.0]	11,650 [3.4]	12.00	14.50	76	1,025 [484]
	RCFL-H*3621(RGFE-09?ZCM?)	35,800 [10.5]	24,100 [7.1]	11,700 [3.4]	12.50	15.10	76	1,025 [484]
	RCFL-H*3621(RGFE-10?ZCM?)	35,600 [10.4]	23,900 [7.0]	11,700 [3.4]	12.50	15.10	76	1,025 [484]
	RCFL-H*3621(RGFG-06?MCK?)	35,200 [10.3]	23,400 [6.9]	11,800 [3.5]	12.50	15.00	76	1,000 [472]
	RCFL-H*3621(RGFG-07?MCK?)	35,400 [10.4]	23,800 [7.0]	11,600 [3.4]	12.50	15.00	76	1,050 [495]
	RCFL-H*3621(RGFG-09?ZCM?)	35,600 [10.4]	24,000 [7.0]	11,600 [3.4]	12.50	15.10	76	1,025 [484]
	RCFL-H*3621(RGFG-10?ZCM?)	35,800 [10.5]	24,000 [7.0]	11,800 [3.5]	12.50	15.10	76	1,050 [495]
	RCFL-H*3621(RGGE-06?MCK?)	35,600 [10.4]	23,900 [7.0]	11,700 [3.4]	12.50	15.10	76	1,025 [484]
	RCFL-H*3621(RGGE-07?MCK?)	35,600 [10.4]	23,900 [7.0]	11,700 [3.4]	12.50	15.10	76	1,025 [484]
	RCFL-H*3621(RGGE-09?ZCM?)	35,800 [10.5]	24,050 [7.0]	11,750 [3.4]	12.50	15.10	76	1,025 [484]
	RCFL-H*3621(RGGE-10?ZCM?)	35,600 [10.4]	23,900 [7.0]	11,700 [3.4]	12.50	15.10	76	1,050 [495]
	RCFL-H*3621(RGJF-06?MCK?)	35,600 [10.4]	23,900 [7.0]	11,700 [3.4]	12.50	15.10	76	1,025 [484]
	RCFL-H*3621(RGJF-07?MCK?)	35,600 [10.4]	23,900 [7.0]	11,700 [3.4]	12.50	15.10	76	1,025 [484]
	RCFL-H*3621(RGJF-09?ZCM?)	35,800 [10.5]	24,050 [7.0]	11,750 [3.4]	12.50	15.10	76	1,025 [484]
	RCFL-H*3621(RGJF-10?ZCM?)	35,600 [10.4]	23,900 [7.0]	11,700 [3.4]	12.50	15.10	76	1,050 [495]
	036JEZ	RCFL-H*3621(RGLE-07?AMK?)	35,800 [10.5]	24,050 [7.0]	11,750 [3.4]	12.50	15.10	76
RCFL-H*3621(RGLE-07?BRQ?)		35,800 [10.5]	24,050 [7.0]	11,750 [3.4]	13.00	15.50	76	1,025 [484]
RCFL-H*3621(RGLE-10?BRM?)		35,800 [10.5]	24,000 [7.0]	11,800 [3.5]	13.00	15.50	76	1,050 [495]
RCFL-H*3621(RGLT-07?AMK?)		35,600 [10.4]	23,900 [7.0]	11,700 [3.4]	12.50	15.10	76	1,075 [507]
RCFL-H*3621(RGLT-07?BRQ?)		36,400 [10.7]	25,350 [7.4]	11,050 [3.2]	12.50	15.10	76	1,200 [566]
RCFL-H*3621(RGLT-10?BRM?)		36,400 [10.7]	25,200 [7.4]	11,200 [3.3]	12.50	15.10	76	1,175 [554]
RCFL-H*3621(RGPE-07?AMK?)		35,400 [10.4]	23,400 [6.9]	12,000 [3.5]	12.50	15.10	76	1,000 [472]
RCFL-H*3621(RGPE-07?BRQ?)		35,800 [10.5]	24,050 [7.0]	11,750 [3.4]	13.00	15.50	76	1,025 [484]
RCFL-H*3621(RGPE-10?BRM?)		35,800 [10.5]	24,050 [7.0]	11,750 [3.4]	13.00	15.50	76	1,075 [507]
RCFL-H*3621(RGPT-05?BMK?)		35,600 [10.4]	23,950 [7.0]	11,650 [3.4]	12.00	14.50	76	1,075 [507]
RCFL-H*3621(RGPT-07?AMK?)		35,600 [10.4]	23,900 [7.0]	11,700 [3.4]	12.50	15.10	76	1,050 [495]
RCFL-H*3621(RGPT-07?BRQ?)		36,000 [10.5]	24,200 [7.1]	11,800 [3.5]	13.00	15.50	76	1,050 [495]
RCFL-H*3621(RGPT-10?BRM?)		36,400 [10.7]	25,200 [7.4]	11,200 [3.3]	12.50	15.10	76	1,175 [554]
RCFL-H*3621(RGRM-04?MAE?)		35,600 [10.4]	23,950 [7.0]	11,650 [3.4]	12.00	14.50	76	1,025 [484]
RCFL-H*3621(RGRM-06?MAE?)		35,400 [10.4]	23,500 [6.9]	11,900 [3.5]	12.00	14.50	76	1,000 [472]
RCFL-H*3621(RGRM-09?ZAJ?)		35,600 [10.4]	23,950 [7.0]	11,650 [3.4]	12.50	15.00	76	1,075 [507]
RCFL-H*3621(RGRM-10?ZAJ?)		35,600 [10.4]	23,900 [7.0]	11,700 [3.4]	12.50	15.10	76	1,025 [484]
RCFL-H*3621(RGTM-06?MAE?)		35,600 [10.4]	23,950 [7.0]	11,650 [3.4]	12.50	15.00	76	1,025 [484]
RCFL-H*3621(RGTM-07?RBG?)		35,800 [10.5]	24,050 [7.0]	11,750 [3.4]	12.50	15.10	76	1,050 [495]
RCFL-H*3621(RGTM-09?ZAJ?)		36,000 [10.5]	24,500 [7.2]	11,500 [3.4]	12.50	15.10	76	1,100 [519]
RCFL-H*3621(RHWB-04WMX36A)	35,800 [10.5]	24,200 [7.1]	11,600 [3.4]	12.50	15.10	76	1,025 [484]	
RCFL-H*3621(RHWB-06WMX48A)	36,200 [10.6]	25,100 [7.4]	11,100 [3.3]	12.00	14.50	76	1,175 [554]	
RCFL-H*3621(ROCA-070E03)	36,200 [10.6]	25,250 [7.4]	10,950 [3.2]	12.00	14.50	76	1,200 [566]	
RCFL-H*3621(ROCA-070E04)	36,200 [10.6]	25,250 [7.4]	10,950 [3.2]	12.00	14.50	76	1,200 [566]	
RCFL-H*3621(ROLA-070E03)	36,200 [10.6]	25,050 [7.3]	11,150 [3.3]	12.50	15.10	76	1,175 [554]	
RCFL-H*3621(ROLA-070E04)	36,200 [10.6]	25,050 [7.3]	11,150 [3.3]	12.50	15.10	76	1,175 [554]	
RCFL-H*3621(ROLA-115E05)	36,400 [10.7]	25,350 [7.4]	11,050 [3.2]	12.50	15.10	76	1,200 [566]	
RCFL-H*3621+RXMD-C04	35,400 [10.4]	23,800 [7.0]	11,600 [3.4]	12.00	14.50	76	1,050 [495]	
RCFL-H*3821(RGFE-09?ZCM?)	37,800 [11.1]	26,800 [7.9]	11,000 [3.2]	12.50	15.10	76	1,200 [566]	

① Highest sales volume tested combination required by D.O.E. test procedures.

[] Designates Metric Conversions

Performance Data @ AHRI Standard Conditions—Cooling

Model Numbers		80°F [26.5°C] DB/67°F [19.5°C] WB Indoor Air 95°F [35°C] DB Outdoor Air					Sound Rating dB	Indoor CFM [L/s]
Outdoor Unit RAPM-	Indoor Coil and/or Air Handler	Total Capacity BTU/H [kW]	Net Sensible BTU/H [kW]	Net Latent BTU/H [kW]	EER	SEER		
Rev. 6/14/12	RCFL-H*3824(RGTM-10?RBJ?)	37,600 [11.0]	26,150 [7.7]	11,450 [3.4]	13.00	15.50	76	1,125 [531]
	RCFL-H*3824(ROCA-070E03)	37,600 [11.0]	26,600 [7.8]	11,000 [3.2]	12.50	15.10	76	1,200 [566]
	RCFL-H*3824(ROCA-070E04)	37,600 [11.0]	26,600 [7.8]	11,000 [3.2]	12.50	15.10	76	1,200 [566]
	RCFL-H*3824(ROLA-070E03)	37,600 [11.0]	26,450 [7.7]	11,150 [3.3]	13.00	15.50	76	1,175 [554]
	RCFL-H*3824(ROLA-070E04)	37,600 [11.0]	26,450 [7.7]	11,150 [3.3]	13.00	15.50	76	1,175 [554]
	RCFL-H*3824(ROLA-115E05)	37,000 [10.8]	25,250 [7.4]	11,750 [3.4]	13.00	15.50	76	1,050 [495]
	RCFL-H*3824+RXMD-C04	36,400 [10.7]	24,800 [7.3]	11,600 [3.4]	12.00	14.50	76	1,050 [495]
	RCFN-H*3624(RGFE-09?ZCM?)	39,500 [11.6]	29,050 [8.5]	10,450 [3.1]	13.00	15.50	76	1,200 [566]
	RCFN-H*3624(RGFE-10?ZCM?)	39,500 [11.6]	29,100 [8.5]	10,400 [3.0]	13.00	15.50	76	1,225 [578]
	RCFN-H*3624(RGFE-12?RCM?)	39,500 [11.6]	29,050 [8.5]	10,450 [3.1]	13.00	16.00	76	1,225 [578]
	RCFN-H*3624(RGFG-09?ZCM?)	40,500 [11.9]	30,750 [9.0]	9,750 [2.9]	13.00	16.00	76	1,200 [566]
	RCFN-H*3624(RGFG-10?ZCM?)	40,500 [11.9]	30,750 [9.0]	9,750 [2.9]	13.00	16.00	76	1,200 [566]
	RCFN-H*3624(RGFG-12?RCM?)	41,000 [12.0]	31,350 [9.2]	9,650 [2.8]	13.00	16.00	76	1,225 [578]
	RCFN-H*3624(RGGE-09?ZCM?)	39,500 [11.6]	29,050 [8.5]	10,450 [3.1]	13.00	15.50	76	1,225 [578]
	RCFN-H*3624(RGGE-10?ZCM?)	39,500 [11.6]	29,050 [8.5]	10,450 [3.1]	13.00	15.50	76	1,200 [566]
	RCFN-H*3624(RGGE-12?RCM?)	39,500 [11.6]	29,000 [8.5]	10,500 [3.1]	13.00	16.00	76	1,200 [566]
	RCFN-H*3624(RGJF-09?ZCM?)	39,500 [11.6]	29,050 [8.5]	10,450 [3.1]	13.00	15.50	76	1,225 [578]
	RCFN-H*3624(RGJF-10?ZCM?)	39,500 [11.6]	29,050 [8.5]	10,450 [3.1]	13.00	15.50	76	1,200 [566]
	RCFN-H*3624(RGJF-12?RCM?)	39,500 [11.6]	29,000 [8.5]	10,500 [3.1]	13.00	16.00	76	1,200 [566]
	RCFN-H*3624(RGLE-07?BRQ?)	39,500 [11.6]	29,000 [8.5]	10,500 [3.1]	13.00	16.00	76	1,225 [578]
	RCFN-H*3624(RGLE-10?BRM?)	39,500 [11.6]	29,000 [8.5]	10,500 [3.1]	13.00	16.00	76	1,200 [566]
	RCFN-H*3624(RGLE-12?ARM?)	39,500 [11.6]	29,000 [8.5]	10,500 [3.1]	13.00	16.00	76	1,225 [578]
	RCFN-H*3624(RGLT-07?BRQ?)	40,000 [11.7]	29,900 [8.8]	10,100 [3.0]	13.00	16.00	76	1,275 [602]
	RCFN-H*3624(RGLT-10?BRM?)	40,000 [11.7]	29,900 [8.8]	10,100 [3.0]	13.00	16.00	76	1,275 [602]
	RCFN-H*3624(RGLT-12?ARM?)	40,000 [11.7]	29,450 [8.6]	10,550 [3.1]	13.00	16.50	76	1,200 [566]
	RCFN-H*3624(RGPE-07?BRQ?)	39,500 [11.6]	29,000 [8.5]	10,500 [3.1]	13.00	16.00	76	1,225 [578]
	RCFN-H*3624(RGPE-10?BRM?)	39,500 [11.6]	29,000 [8.5]	10,500 [3.1]	13.00	16.00	76	1,225 [578]
	RCFN-H*3624(RGPE-12?ARM?)	39,500 [11.6]	29,000 [8.5]	10,500 [3.1]	13.00	16.00	76	1,200 [566]
	RCFN-H*3624(RGPT-07?BRQ?)	40,000 [11.7]	29,900 [8.8]	10,100 [3.0]	13.00	16.00	76	1,275 [602]
	RCFN-H*3624(RGPT-10?BRM?)	40,000 [11.7]	29,750 [8.7]	10,250 [3.0]	13.00	16.00	76	1,250 [590]
	RCFN-H*3624(RGPT-12?ARM?)	39,500 [11.6]	29,000 [8.5]	10,500 [3.1]	13.00	16.00	76	1,200 [566]
	RCFN-H*3624(RGRM-09?ZAJ?)	39,000 [11.4]	28,600 [8.4]	10,400 [3.0]	13.00	15.50	76	1,225 [578]
	RCFN-H*3624(RGRM-10?ZAJ?)	39,000 [11.4]	28,350 [8.3]	10,650 [3.1]	13.00	15.50	76	1,150 [543]
	RCFN-H*3624(RGRM-12?RAJ?)	39,500 [11.6]	29,050 [8.5]	10,450 [3.1]	13.00	15.50	76	1,225 [578]
	RCFN-H*3624(ROCA-070E03)	39,500 [11.6]	29,100 [8.5]	10,400 [3.0]	13.00	15.50	76	1,200 [566]
	RCFN-H*3624(ROCA-070E04)	39,500 [11.6]	29,100 [8.5]	10,400 [3.0]	13.00	15.50	76	1,200 [566]
	RCFN-H*3624(ROLA-070E03)	39,500 [11.6]	29,000 [8.5]	10,500 [3.1]	13.00	16.00	76	1,175 [554]
	RCFN-H*3624(ROLA-070E04)	39,500 [11.6]	29,000 [8.5]	10,500 [3.1]	13.00	16.00	76	1,175 [554]
	RCFN-H*3624(ROLA-115E05)	39,500 [11.6]	29,000 [8.5]	10,500 [3.1]	13.00	16.00	76	1,200 [566]
	RCFN-H*3624+RXMD-C04	39,000 [11.4]	28,700 [8.4]	10,300 [3.0]	12.50	15.00	76	1,200 [566]
RBHP-21(RCHL-36A1)	35,600 [10.4]	24,100 [7.1]	11,500 [3.4]	12.50	15.00	76	1,200 [566]	
RCQD-3621(RGFE-09?ZCM?)	37,400 [11.0]	26,750 [7.8]	10,650 [3.1]	12.50	15.10	76	1,200 [566]	
RCQD-3621(RGFG-07?MCK?)	36,800 [10.8]	25,400 [7.4]	11,400 [3.3]	12.50	15.10	76	1,050 [495]	
RCQD-3621(RGFG-09?ZCM?)	37,600 [11.0]	26,850 [7.9]	10,750 [3.1]	12.50	15.10	76	1,200 [566]	
RCQD-3621(RGFG-10?ZCM?)	37,000 [10.8]	25,550 [7.5]	11,450 [3.4]	13.00	15.50	76	1,050 [495]	
RCQD-3621(RGJF-06?MCK?)	37,200 [10.9]	26,600 [7.8]	10,600 [3.1]	12.00	14.50	76	1,200 [566]	
RCQD-3621(RGJF-07?MCK?)	37,200 [10.9]	26,600 [7.8]	10,600 [3.1]	11.50	14.00	76	1,200 [566]	
RCQD-3621(RGJF-10?ZCM?)	37,400 [11.0]	26,700 [7.8]	10,700 [3.1]	12.50	15.10	76	1,200 [566]	

① Highest sales volume tested combination required by D.O.E. test procedures.

[] Designates Metric Conversions

Performance Data @ AHRI Standard Conditions—Cooling

Model Numbers		80°F [26.5°C] DB/67°F [19.5°C] WB Indoor Air 95°F [35°C] DB Outdoor Air					Sound Rating dB	Indoor CFM [L/s]
Outdoor Unit RAPM-	Indoor Coil and/or Air Handler	Total Capacity BTU/H [kW]	Net Sensible BTU/H [kW]	Net Latent BTU/H [kW]	EER	SEER		
Rev. 6/14/12	RCQD-3621(RGPE-05?BMK?)	37,200 [10.9]	26,600 [7.8]	10,600 [3.1]	12.00	14.50	76	1,200 [566]
	RCQD-3621(RGPE-07?BRQ?)	36,800 [10.8]	25,350 [7.4]	11,450 [3.4]	13.00	15.50	76	1,050 [495]
	RCQD-3621(RGPE-10?BRM?)	37,000 [10.8]	25,650 [7.5]	11,350 [3.3]	13.00	15.50	76	1,075 [507]
	RCQD-3621(RGPT-05?BMK?)	36,800 [10.8]	25,700 [7.5]	11,100 [3.3]	12.00	14.50	76	1,100 [519]
	RCQD-3621(RGPT-07?AMK?)	37,000 [10.8]	25,850 [7.6]	11,150 [3.3]	12.50	15.10	76	1,100 [519]
	RCQD-3621(RGPT-07?BRQ?)	37,000 [10.8]	25,500 [7.5]	11,500 [3.4]	13.00	15.50	76	1,050 [495]
	RCQD-3621(RGPT-10?BRM?)	37,000 [10.8]	25,500 [7.5]	11,500 [3.4]	13.00	15.50	76	1,050 [495]
	RCQD-3621(RGRM-06?MAE?)	37,600 [11.0]	27,750 [8.1]	9,850 [2.9]	12.50	14.00	76	1,175 [554]
	RCQD-3621(RGRM-07?YBG?)	36,400 [10.7]	25,100 [7.4]	11,300 [3.3]	12.00	14.50	76	1,050 [495]
	RCQD-3621(RGRM-09?ZAJ?)	36,800 [10.8]	25,550 [7.5]	11,250 [3.3]	12.50	15.10	76	1,075 [507]
036JEZ	RCQD-3621(RGRM-10?ZAJ?)	37,800 [11.1]	27,700 [8.1]	10,100 [3.0]	12.50	15.00	76	1,150 [543]
	RCQD-3621(RHWP-04WMX36A)	38,500 [11.3]	28,900 [8.5]	9,600 [2.8]	12.50	15.10	76	1,200 [566]
	RCQD-3621(ROCA-070E03)	37,400 [11.0]	26,750 [7.8]	10,650 [3.1]	12.00	14.50	76	1,200 [566]
	RCQD-3621(ROCA-070E04)	37,400 [11.0]	26,750 [7.8]	10,650 [3.1]	12.00	14.50	76	1,200 [566]
	RCQD-3621(ROLA-070E03)	37,400 [11.0]	26,550 [7.8]	10,850 [3.2]	12.50	15.10	76	1,175 [554]
	RCQD-3621(ROLA-070E04)	37,400 [11.0]	26,550 [7.8]	10,850 [3.2]	12.50	15.10	76	1,175 [554]
	RCQD-3621(ROLA-115E05)	36,800 [10.8]	25,350 [7.4]	11,450 [3.4]	13.00	15.50	76	1,050 [495]
	RCQD-3621+RXMD-C04	36,200 [10.6]	24,950 [7.3]	11,250 [3.3]	11.50	14.00	76	1,045 [493]
	RCQD-3624(RGFE-09?ZCM?)	37,400 [11.0]	26,700 [7.8]	10,700 [3.1]	12.50	15.10	76	1,200 [566]
	RCQD-3624(RGFG-09?ZCM?)	37,600 [11.0]	26,850 [7.9]	10,750 [3.1]	12.50	15.10	76	1,200 [566]
	RCQD-3624(RGFG-10?ZCM?)	37,000 [10.8]	25,550 [7.5]	11,450 [3.4]	13.00	15.50	76	1,050 [495]
	RCQD-3624(RGJF-10?ZCM?)	37,400 [11.0]	26,700 [7.8]	10,700 [3.1]	12.50	15.10	76	1,200 [566]
	RCQD-3624(RGJF-12?RCM?)	37,600 [11.0]	26,850 [7.9]	10,750 [3.1]	13.00	15.50	76	1,200 [566]
	RCQD-3624(RGPE-07?BRQ?)	36,800 [10.8]	25,350 [7.4]	11,450 [3.4]	13.00	15.50	76	1,050 [495]
	RCQD-3624(RGPE-10?BRM?)	37,000 [10.8]	25,650 [7.5]	11,350 [3.3]	13.00	15.50	76	1,075 [507]
	RCQD-3624(RGPE-12?ARM?)	37,200 [10.9]	25,850 [7.6]	11,350 [3.3]	13.00	15.50	76	1,075 [507]
	RCQD-3624(RGPT-07?BRQ?)	37,000 [10.8]	25,500 [7.5]	11,500 [3.4]	13.00	15.50	76	1,050 [495]
	RCQD-3624(RGPT-10?BRM?)	37,200 [10.9]	25,850 [7.6]	11,350 [3.3]	13.00	15.50	76	1,075 [507]
	RCQD-3624(RGRM-07?YBG?)	36,400 [10.7]	25,050 [7.3]	11,350 [3.3]	12.00	14.50	76	1,050 [495]
	RCQD-3624(RGRM-09?ZAJ?)	36,800 [10.8]	25,550 [7.5]	11,250 [3.3]	12.50	15.10	76	1,075 [507]
	RCQD-3624(RGRM-10?ZAJ?)	38,000 [11.1]	27,800 [8.1]	10,200 [3.0]	12.50	15.10	76	1,150 [543]
	RCQD-3624(RGRM-12?RAJ?)	37,000 [10.8]	25,700 [7.5]	11,300 [3.3]	13.00	15.50	76	1,075 [507]
	RCQD-3624(ROCA-070E03)	37,400 [11.0]	26,750 [7.8]	10,650 [3.1]	12.50	15.00	76	1,200 [566]
	RCQD-3624(ROCA-070E04)	37,400 [11.0]	26,750 [7.8]	10,650 [3.1]	12.50	15.00	76	1,200 [566]
	RCQD-3624(ROLA-070E03)	37,400 [11.0]	26,550 [7.8]	10,850 [3.2]	12.50	15.10	76	1,175 [554]
	RCQD-3624(ROLA-070E04)	37,400 [11.0]	26,550 [7.8]	10,850 [3.2]	12.50	15.10	76	1,175 [554]
	RCQD-3624(ROLA-115E05)	36,800 [10.8]	25,350 [7.4]	11,450 [3.4]	13.00	15.50	76	1,050 [495]
	RCQD-3624+RXMD-C04	36,200 [10.6]	24,950 [7.3]	11,250 [3.3]	11.50	14.00	76	1,045 [493]
	RHKL-HM3617(RCSL-H*3617)	36,000 [10.5]	24,200 [7.1]	11,800 [3.5]	13.00	15.50	76	1,025 [484]
	RHLL-HM3617(RCSL-H*3617)	35,800 [10.5]	23,800 [7.0]	12,000 [3.5]	13.00	15.50	76	1,000 [472]
	RHSL-HM3617(RCSL-H*3617)	35,600 [10.4]	24,200 [7.1]	11,400 [3.3]	12.00	14.50	76	1,100 [519]
	RHSL-HM3621(RCSL-H*3621)	35,600 [10.4]	24,200 [7.1]	11,400 [3.3]	12.00	14.50	76	1,100 [519]
	RHKL-HM3821(RCSL-H*3821)	38,000 [11.1]	26,900 [7.9]	11,100 [3.3]	13.00	16.00	76	1,200 [566]
	RHLL-HM3821(RCSL-H*3821)	37,800 [11.1]	26,600 [7.8]	11,200 [3.3]	13.00	16.00	76	1,175 [554]
	RHPN-HM3624(RCSN-H*3624)	40,000 [11.7]	29,450 [8.6]	10,550 [3.1]	13.00	16.00	76	1,200 [566]

① Highest sales volume tested combination required by D.O.E. test procedures.

[] Designates Metric Conversions

Performance Data @ AHRI Standard Conditions—Cooling

Model Numbers		80°F [26.5°C] DB/67°F [19.5°C] WB Indoor Air 95°F [35°C] DB Outdoor Air					Sound Rating dB	Indoor CFM [L/s]	
Outdoor Unit RAPM-	Indoor Coil and/or Air Handler	Total Capacity BTU/H [kW]	Net Sensible BTU/H [kW]	Net Latent BTU/H [kW]	EER	SEER			
Rev. 6/14/12	RCFL-H*4821+RXMD-C04 ①	39,500 [11.6]	27,500 [8.1]	12,000 [3.5]	12.00	14.50	76	1,250 [590]	
	RCFL-A*3821(RGLT-07?AMK?)	40,000 [11.7]	27,900 [8.2]	12,100 [3.5]	12.50	15.10	76	1,250 [590]	
	RCFL-A*3821(RGLT-07?BRQ?)	40,000 [11.7]	27,800 [8.1]	12,200 [3.6]	13.00	15.50	76	1,250 [590]	
	RCFL-A*3821(RGLT-10?BRM?)	40,000 [11.7]	27,800 [8.1]	12,200 [3.6]	13.00	15.50	76	1,250 [590]	
	RCFL-A*3821(RGPE-07?AMK?)	40,500 [11.9]	27,900 [8.2]	12,600 [3.7]	12.50	15.10	76	1,225 [578]	
	RCFL-A*3821(RGPT-05?BMK?)	39,500 [11.6]	27,450 [8.0]	12,050 [3.5]	12.00	14.50	76	1,225 [578]	
	RCFL-A*3821(RGPT-07?AMK?)	39,500 [11.6]	27,450 [8.0]	12,050 [3.5]	12.00	14.50	76	1,250 [590]	
	RCFL-A*3821(RGPT-07?BRQ?)	40,000 [11.7]	27,800 [8.1]	12,200 [3.6]	13.00	15.50	76	1,250 [590]	
	RCFL-A*3821(RGPT-10?BRM?)	40,000 [11.7]	27,800 [8.1]	12,200 [3.6]	13.00	15.50	76	1,225 [578]	
	RCFL-A*3821(ROCA-070E03)	39,500 [11.6]	27,150 [8.0]	12,350 [3.6]	12.50	15.10	76	1,200 [566]	
	RCFL-A*3821(ROCA-070E04)	39,500 [11.6]	27,150 [8.0]	12,350 [3.6]	12.50	15.10	76	1,200 [566]	
	RCFL-A*3821(ROLA-070E03)	39,500 [11.6]	26,950 [7.9]	12,550 [3.7]	12.50	15.50	76	1,175 [554]	
	RCFL-A*3821(ROLA-070E04)	39,500 [11.6]	26,950 [7.9]	12,550 [3.7]	12.50	15.50	76	1,175 [554]	
	RCFL-A*4821(RGFE-09?ZCM?)	39,500 [11.6]	27,150 [8.0]	12,350 [3.6]	12.50	15.10	76	1,200 [566]	
	RCFL-A*4821(RGFE-10?ZCM?)	40,000 [11.7]	27,900 [8.2]	12,100 [3.5]	12.50	15.10	76	1,225 [578]	
	RCFL-A*4821(RGFG-09?ZCM?)	39,500 [11.6]	27,400 [8.0]	12,100 [3.5]	12.50	15.10	76	1,200 [566]	
	RCFL-A*4821(RGFG-10?ZCM?)	39,500 [11.6]	27,200 [8.0]	12,300 [3.6]	12.50	15.10	76	1,200 [566]	
	RCFL-A*4821(RGGE-06?MCK?)	39,500 [11.6]	27,200 [8.0]	12,300 [3.6]	12.00	14.50	76	1,200 [566]	
	RCFL-A*4821(RGGE-07?MCK?)	39,500 [11.6]	27,200 [8.0]	12,300 [3.6]	12.00	14.50	76	1,200 [566]	
	RCFL-A*4821(RGGE-09?ZCM?)	40,000 [11.7]	27,850 [8.2]	12,150 [3.6]	12.50	15.50	76	1,225 [578]	
	RCFL-A*4821(RGGE-10?ZCM?)	39,500 [11.6]	27,150 [8.0]	12,350 [3.6]	12.50	15.10	76	1,200 [566]	
	RCFL-A*4821(RGLE-07?AMK?)	39,500 [11.6]	27,150 [8.0]	12,350 [3.6]	12.50	15.10	76	1,200 [566]	
	RCFL-A*4821(RGLE-10?BRM?)	40,500 [11.9]	29,150 [8.5]	11,350 [3.3]	12.50	15.50	76	1,400 [661]	
	042JEZ	RCFL-A*4821(RGLT-07?AMK?)	40,000 [11.7]	27,900 [8.2]	12,100 [3.5]	12.50	15.10	76	1,250 [590]
		RCFL-A*4821(RGLT-07?BRQ?)	40,000 [11.7]	27,800 [8.1]	12,200 [3.6]	13.00	15.50	76	1,250 [590]
		RCFL-A*4821(RGLT-10?BRM?)	40,000 [11.7]	27,800 [8.1]	12,200 [3.6]	13.00	15.50	76	1,250 [590]
		RCFL-A*4821(RGPE-05?BMK?)	39,500 [11.6]	27,200 [8.0]	12,300 [3.6]	12.00	14.50	76	1,200 [566]
		RCFL-A*4821(RGPE-07?AMK?)	40,000 [11.7]	27,900 [8.2]	12,100 [3.5]	12.50	15.10	76	1,225 [578]
		RCFL-A*4821(RGPE-07?BRQ?)	40,000 [11.7]	27,800 [8.1]	12,200 [3.6]	13.00	15.50	76	1,225 [578]
		RCFL-A*4821(RGPE-10?BRM?)	40,000 [11.7]	27,800 [8.1]	12,200 [3.6]	13.00	15.50	76	1,225 [578]
		RCFL-A*4821(RGPT-05?BMK?)	39,500 [11.6]	27,450 [8.0]	12,050 [3.5]	12.00	14.50	76	1,225 [578]
		RCFL-A*4821(RGPT-07?AMK?)	39,500 [11.6]	27,450 [8.0]	12,050 [3.5]	12.00	14.50	76	1,250 [590]
		RCFL-A*4821(RGPT-07?BRQ?)	40,000 [11.7]	27,800 [8.1]	12,200 [3.6]	13.00	15.50	76	1,250 [590]
		RCFL-A*4821(RGPT-10?BRM?)	40,000 [11.7]	27,800 [8.1]	12,200 [3.6]	13.00	15.50	76	1,225 [578]
		RCFL-A*4821(RGTM-06?MAE?)	39,500 [11.6]	27,500 [8.1]	12,000 [3.5]	12.00	14.50	76	1,225 [578]
		RCFL-A*4821(RGTM-07?RBG?)	39,500 [11.6]	26,700 [7.8]	12,800 [3.8]	12.50	15.50	76	1,125 [531]
		RCFL-A*4821(RGTM-09?ZAJ?)	40,000 [11.7]	27,850 [8.2]	12,150 [3.6]	12.50	15.10	76	1,250 [590]
		RCFL-A*4821(RHWB-04WMX36A)	39,500 [11.6]	27,300 [8.0]	12,200 [3.6]	12.50	15.10	76	1,200 [566]
		RCFL-A*4821(RHWB-06WMX48A)	39,500 [11.6]	27,300 [8.0]	12,200 [3.6]	12.50	15.10	76	1,200 [566]
		RCFL-A*4821(ROCA-070E03)	39,500 [11.6]	27,150 [8.0]	12,350 [3.6]	12.50	15.10	76	1,200 [566]
RCFL-A*4821(ROCA-070E04)		39,500 [11.6]	27,150 [8.0]	12,350 [3.6]	12.50	15.10	76	1,200 [566]	
RCFL-A*4821(ROLA-070E03)		39,500 [11.6]	26,950 [7.9]	12,550 [3.7]	12.50	15.50	76	1,175 [554]	
RCFL-A*4821(ROLA-070E04)		39,500 [11.6]	26,950 [7.9]	12,550 [3.7]	12.50	15.50	76	1,175 [554]	
RCFL-A*4821+RXMD-C04		39,500 [11.6]	27,500 [8.1]	12,000 [3.5]	12.00	14.50	76	1,250 [590]	
RCFL-A*4824(RGFE-09?ZCM?)		39,500 [11.6]	27,150 [8.0]	12,350 [3.6]	12.50	15.10	76	1,200 [566]	
RCFL-A*4824(RGFE-10?ZCM?)		40,000 [11.7]	27,900 [8.2]	12,100 [3.5]	12.50	15.10	76	1,225 [578]	
RCFL-A*4824(RGFE-12?RCM?)		40,000 [11.7]	27,850 [8.2]	12,150 [3.6]	12.50	15.50	76	1,225 [578]	
RCFL-A*4824(RGFG-09?ZCM?)		39,500 [11.6]	27,400 [8.0]	12,100 [3.5]	12.50	15.10	76	1,200 [566]	

① Highest sales volume tested combination required by D.O.E. test procedures.

[] Designates Metric Conversions



Performance Data @ AHRI Standard Conditions—Cooling

Model Numbers		80°F [26.5°C] DB/67°F [19.5°C] WB Indoor Air 95°F [35°C] DB Outdoor Air					Sound Rating dB	Indoor CFM [L/s]
Outdoor Unit RAPM-	Indoor Coil and/or Air Handler	Total Capacity BTU/H [kW]	Net Sensible BTU/H [kW]	Net Latent BTU/H [kW]	EER	SEER		
Rev. 6/14/12	RCFL-A*4824(RGFG-10?ZCM?)	39,500 [11.6]	27,200 [8.0]	12,300 [3.6]	12.50	15.10	76	1,200 [566]
	RCFL-A*4824(RGFG-12?RCM?)	40,000 [11.7]	28,000 [8.2]	12,000 [3.5]	13.00	15.50	76	1,225 [578]
	RCFL-A*4824(RGGE-09?ZCM?)	40,000 [11.7]	27,850 [8.2]	12,150 [3.6]	12.50	15.50	76	1,225 [578]
	RCFL-A*4824(RGGE-10?ZCM?)	39,500 [11.6]	27,150 [8.0]	12,350 [3.6]	12.50	15.10	76	1,200 [566]
	RCFL-A*4824(RGGE-12?RCM?)	40,000 [11.7]	27,550 [8.1]	12,450 [3.6]	12.50	15.50	76	1,200 [566]
	RCFL-A*4824(RGLE-10?BRM?)	40,000 [11.7]	27,550 [8.1]	12,450 [3.6]	13.00	15.50	76	1,200 [566]
	RCFL-A*4824(RGLE-12?ARM?)	40,000 [11.7]	27,800 [8.1]	12,200 [3.6]	13.00	15.50	76	1,225 [578]
	RCFL-A*4824(RGLT-07?BRQ?)	40,000 [11.7]	27,800 [8.1]	12,200 [3.6]	13.00	15.50	76	1,250 [590]
	RCFL-A*4824(RGLT-10?BRM?)	40,000 [11.7]	27,800 [8.1]	12,200 [3.6]	13.00	15.50	76	1,250 [590]
	RCFL-A*4824(RGLT-12?ARM?)	39,500 [11.6]	26,750 [7.8]	12,750 [3.7]	13.00	16.00	76	1,150 [543]
	RCFL-A*4824(RGPE-07?BRQ?)	40,000 [11.7]	27,800 [8.1]	12,200 [3.6]	13.00	15.50	76	1,225 [578]
	RCFL-A*4824(RGPE-10?BRM?)	40,000 [11.7]	27,800 [8.1]	12,200 [3.6]	13.00	15.50	76	1,225 [578]
	RCFL-A*4824(RGPE-12?ARM?)	41,000 [12.0]	29,800 [8.7]	11,200 [3.3]	12.50	15.50	76	1,425 [672]
	RCFL-A*4824(RGPT-07?BRQ?)	40,000 [11.7]	27,800 [8.1]	12,200 [3.6]	13.00	15.50	76	1,225 [578]
	RCFL-A*4824(RGPT-10?BRM?)	40,000 [11.7]	27,800 [8.1]	12,200 [3.6]	13.00	15.50	76	1,225 [578]
	RCFL-A*4824(RGPT-12?ARM?)	40,000 [11.7]	27,400 [8.0]	12,600 [3.7]	13.00	16.00	76	1,175 [554]
	RCFL-A*4824(RGRM-09?ZAJ?)	40,000 [11.7]	27,900 [8.2]	12,100 [3.5]	12.50	15.00	76	1,225 [578]
	RCFL-A*4824(RGRM-10?ZAJ?)	39,500 [11.6]	26,900 [7.9]	12,600 [3.7]	12.50	15.10	76	1,150 [543]
	RCFL-A*4824(RGRM-12?RAJ?)	40,000 [11.7]	27,850 [8.2]	12,150 [3.6]	12.50	15.10	76	1,225 [578]
	042JEZ	RCFL-A*4824(RHWB-08WRX60A)	40,500 [11.9]	29,000 [8.5]	11,500 [3.4]	13.00	15.50	76
RCFL-A*4824(RHWB-10WRX60A)		41,000 [12.0]	29,800 [8.7]	11,200 [3.3]	13.00	15.50	76	1,400 [661]
RCFL-A*4824(ROCA-070E03)		39,500 [11.6]	27,150 [8.0]	12,350 [3.6]	12.50	15.10	76	1,200 [566]
RCFL-A*4824(ROCA-070E04)		39,500 [11.6]	27,150 [8.0]	12,350 [3.6]	12.50	15.10	76	1,200 [566]
RCFL-A*4824(ROLA-070E03)		39,500 [11.6]	26,950 [7.9]	12,550 [3.7]	12.50	15.50	76	1,175 [554]
RCFL-A*4824(ROLA-070E04)		39,500 [11.6]	26,950 [7.9]	12,550 [3.7]	12.50	15.50	76	1,175 [554]
RCFL-A*4824(ROLA-115E05)		40,000 [11.7]	27,550 [8.1]	12,450 [3.6]	13.00	15.50	76	1,200 [566]
RCFL-A*4824+RXMD-C04		39,500 [11.6]	27,500 [8.1]	12,000 [3.5]	12.00	14.50	76	1,250 [590]
RCFL-H*3821(RGFE-09?ZCM?)		40,500 [11.9]	27,850 [8.2]	12,650 [3.7]	12.50	15.10	76	1,200 [566]
RCFL-H*3821(RGFE-10?ZCM?)		40,500 [11.9]	27,850 [8.2]	12,650 [3.7]	12.50	15.10	76	1,225 [578]
RCFL-H*3821(RGFG-09?ZCM?)		39,500 [11.6]	27,200 [8.0]	12,300 [3.6]	12.50	15.10	76	1,200 [566]
RCFL-H*3821(RGFG-10?ZCM?)		39,500 [11.6]	27,200 [8.0]	12,300 [3.6]	12.50	15.10	76	1,200 [566]
RCFL-H*3821(RGGE-06?MCK?)		40,500 [11.9]	27,900 [8.2]	12,600 [3.7]	12.50	14.50	76	1,200 [566]
RCFL-H*3821(RGGE-07?MCK?)		40,500 [11.9]	27,900 [8.2]	12,600 [3.7]	12.50	14.50	76	1,200 [566]
RCFL-H*3821(RGGE-09?ZCM?)		40,500 [11.9]	28,000 [8.2]	12,500 [3.7]	12.50	15.00	76	1,225 [578]
RCFL-H*3821(RGGE-10?ZCM?)		40,500 [11.9]	27,850 [8.2]	12,650 [3.7]	12.50	15.10	76	1,200 [566]
RCFL-H*3821(RGJF-06?MCK?)		40,500 [11.9]	27,900 [8.2]	12,600 [3.7]	12.50	15.00	76	1,200 [566]
RCFL-H*3821(RGJF-07?MCK?)		40,500 [11.9]	27,900 [8.2]	12,600 [3.7]	12.50	14.50	76	1,200 [566]
RCFL-H*3821(RGJF-09?ZCM?)		40,500 [11.9]	28,000 [8.2]	12,500 [3.7]	12.50	15.00	76	1,225 [578]
RCFL-H*3821(RGJF-10?ZCM?)		40,500 [11.9]	27,850 [8.2]	12,650 [3.7]	12.50	15.10	76	1,200 [566]
RCFL-H*3821(RGLE-07?AMK?)	40,500 [11.9]	27,850 [8.2]	12,650 [3.7]	12.50	15.10	76	1,200 [566]	
RCFL-H*3821(RGLE-07?BRQ?)	40,500 [11.9]	27,800 [8.1]	12,700 [3.7]	13.00	15.50	76	1,225 [578]	
RCFL-H*3821(RGLE-10?BRM?)	41,000 [12.0]	28,250 [8.3]	12,750 [3.7]	13.00	15.50	76	1,200 [566]	
RCFL-H*3821(RGLT-07?AMK?)	40,000 [11.7]	27,900 [8.2]	12,100 [3.5]	12.50	15.10	76	1,250 [590]	
RCFL-H*3821(RGLT-07?BRQ?)	40,000 [11.7]	27,800 [8.1]	12,200 [3.6]	13.00	15.50	76	1,250 [590]	
RCFL-H*3821(RGLT-10?BRM?)	40,000 [11.7]	27,800 [8.1]	12,200 [3.6]	13.00	15.50	76	1,250 [590]	
RCFL-H*3821(RGPE-05?BMK?)	40,500 [11.9]	27,900 [8.2]	12,600 [3.7]	12.50	14.50	76	1,200 [566]	
RCFL-H*3821(RGPE-07?AMK?)	40,500 [11.9]	27,900 [8.2]	12,600 [3.7]	12.50	15.10	76	1,225 [578]	
RCFL-H*3821(RGPE-07?BRQ?)	41,000 [12.0]	28,300 [8.3]	12,700 [3.7]	13.00	15.50	76	1,225 [578]	

① Highest sales volume tested combination required by D.O.E. test procedures.

[] Designates Metric Conversions

Performance Data @ AHRI Standard Conditions—Cooling

Model Numbers		80°F [26.5°C] DB/67°F [19.5°C] WB Indoor Air 95°F [35°C] DB Outdoor Air					Sound Rating dB	Indoor CFM [L/s]
Outdoor Unit RAPM-	Indoor Coil and/or Air Handler	Total Capacity BTU/H [kW]	Net Sensible BTU/H [kW]	Net Latent BTU/H [kW]	EER	SEER		
Rev. 6/14/12	RCFL-H*3821(RGPE-10?BRM?)	41,000 [12.0]	28,250 [8.3]	12,750 [3.7]	13.00	15.50	76	1,225 [578]
	RCFL-H*3821(RGPT-05?BMK?)	39,500 [11.6]	27,450 [8.0]	12,050 [3.5]	12.00	14.50	76	1,225 [578]
	RCFL-H*3821(RGPT-07?AMK?)	39,500 [11.6]	27,450 [8.0]	12,050 [3.5]	12.00	14.50	76	1,250 [590]
	RCFL-H*3821(RGPT-07?BRQ?)	40,000 [11.7]	27,800 [8.1]	12,200 [3.6]	13.00	15.50	76	1,250 [590]
	RCFL-H*3821(RGPT-10?BRM?)	40,000 [11.7]	27,800 [8.1]	12,200 [3.6]	13.00	15.50	76	1,225 [578]
	RCFL-H*3821(RGRM-09?ZAJ?)	40,500 [11.9]	27,900 [8.2]	12,600 [3.7]	12.50	15.00	76	1,225 [578]
	RCFL-H*3821(RGRM-10?ZAJ?)	40,000 [11.7]	27,050 [7.9]	12,950 [3.8]	12.50	15.00	76	1,150 [543]
	RCFL-H*3821(RGTM-07?RBG?)	41,000 [12.0]	28,650 [8.4]	12,350 [3.6]	12.50	15.10	76	1,275 [602]
	RCFL-H*3821(RGTM-09?ZAJ?)	41,000 [12.0]	28,500 [8.4]	12,500 [3.7]	13.00	15.50	76	1,250 [590]
	RCFL-H*3821(RHWB-04WMX36A)	39,500 [11.6]	27,300 [8.0]	12,200 [3.6]	12.50	15.10	76	1,200 [566]
	RCFL-H*3821(RHWB-06WMX48A)	39,500 [11.6]	27,300 [8.0]	12,200 [3.6]	12.50	15.10	76	1,200 [566]
	RCFL-H*3821(ROCA-070E03)	39,500 [11.6]	27,150 [8.0]	12,350 [3.6]	12.50	15.10	76	1,200 [566]
	RCFL-H*3821(ROCA-070E04)	39,500 [11.6]	27,150 [8.0]	12,350 [3.6]	12.50	15.10	76	1,200 [566]
	RCFL-H*3821(ROLA-070E03)	39,500 [11.6]	26,950 [7.9]	12,550 [3.7]	12.50	15.50	76	1,175 [554]
	RCFL-H*3821(ROLA-070E04)	39,500 [11.6]	26,950 [7.9]	12,550 [3.7]	12.50	15.50	76	1,175 [554]
	RCFL-H*3821(ROLA-115E05)	40,000 [11.7]	27,550 [8.1]	12,450 [3.6]	13.00	15.50	76	1,200 [566]
	RCFL-H*3821+RXMD-C04	40,000 [11.7]	27,600 [8.1]	12,400 [3.6]	12.00	14.50	76	1,220 [576]
	RCFL-H*3824(RGFG-10?ZCM?)	39,500 [11.6]	27,200 [8.0]	12,300 [3.6]	12.50	15.10	76	1,200 [566]
	RCFL-H*3824(RGLT-07?BRQ?)	40,000 [11.7]	27,800 [8.1]	12,200 [3.6]	13.00	15.50	76	1,250 [590]
	RCFL-H*3824(RGLT-10?BRM?)	40,000 [11.7]	27,800 [8.1]	12,200 [3.6]	13.00	15.50	76	1,250 [590]
	RCFL-H*3824(RGLT-12?ARM?)	39,500 [11.6]	26,750 [7.8]	12,750 [3.7]	13.00	16.00	76	1,150 [543]
	RCFL-H*3824(RGPT-07?BRQ?)	40,500 [11.9]	28,700 [8.4]	11,800 [3.5]	13.00	15.50	76	1,325 [625]
	RCFL-H*3824(RGPT-10?BRM?)	40,000 [11.7]	27,800 [8.1]	12,200 [3.6]	13.00	15.50	76	1,225 [578]
	RCFL-H*3824(RGPT-12?ARM?)	40,000 [11.7]	27,400 [8.0]	12,600 [3.7]	13.00	16.00	76	1,175 [554]
	RCFL-H*3824(RHWB-08WPX60A)	40,500 [11.9]	29,000 [8.5]	11,500 [3.4]	13.00	15.50	76	1,350 [637]
	RCFL-H*3824(RHWB-10WRX60A)	41,000 [12.0]	29,800 [8.7]	11,200 [3.3]	13.00	15.50	76	1,400 [661]
	RCFL-H*3824(ROCA-070E03)	39,500 [11.6]	27,150 [8.0]	12,350 [3.6]	12.50	15.10	76	1,200 [566]
	RCFL-H*3824(ROCA-070E04)	39,500 [11.6]	27,150 [8.0]	12,350 [3.6]	12.50	15.10	76	1,200 [566]
	RCFL-H*3824(ROLA-070E03)	39,500 [11.6]	26,950 [7.9]	12,550 [3.7]	12.50	15.50	76	1,175 [554]
	RCFL-H*3824(ROLA-070E04)	39,500 [11.6]	26,950 [7.9]	12,550 [3.7]	12.50	15.50	76	1,175 [554]
	RCFL-H*3824(ROLA-115E05)	40,000 [11.7]	27,550 [8.1]	12,450 [3.6]	13.00	15.50	76	1,200 [566]
	RCFL-H*3824+RXMD-C04	40,000 [11.7]	27,600 [8.1]	12,400 [3.6]	12.00	14.50	76	1,220 [576]
	RCFL-H*4821(RGFE-09?ZCM?)	39,500 [11.6]	27,150 [8.0]	12,350 [3.6]	12.50	15.10	76	1,200 [566]
	RCFL-H*4821(RGFE-10?ZCM?)	40,000 [11.7]	27,900 [8.2]	12,100 [3.5]	12.50	15.10	76	1,225 [578]
	RCFL-H*4821(RGFG-09?ZCM?)	39,500 [11.6]	27,400 [8.0]	12,100 [3.5]	12.50	15.10	76	1,200 [566]
	RCFL-H*4821(RGFG-10?ZCM?)	39,500 [11.6]	27,200 [8.0]	12,300 [3.6]	12.50	15.10	76	1,200 [566]
	RCFL-H*4821(RGGE-06?MCK?)	39,500 [11.6]	27,200 [8.0]	12,300 [3.6]	12.00	14.50	76	1,200 [566]
	RCFL-H*4821(RGGE-07?MCK?)	39,500 [11.6]	27,200 [8.0]	12,300 [3.6]	12.00	14.50	76	1,200 [566]
	RCFL-H*4821(RGGE-09?ZCM?)	40,000 [11.7]	27,850 [8.2]	12,150 [3.6]	12.50	15.50	76	1,225 [578]
	RCFL-H*4821(RGGE-10?ZCM?)	39,500 [11.6]	27,150 [8.0]	12,350 [3.6]	12.50	15.10	76	1,200 [566]
	RCFL-H*4821(RGJF-06?MCK?)	39,500 [11.6]	27,200 [8.0]	12,300 [3.6]	12.00	14.50	76	1,200 [566]
	RCFL-H*4821(RGJF-07?MCK?)	39,500 [11.6]	27,200 [8.0]	12,300 [3.6]	12.00	14.50	76	1,200 [566]
RCFL-H*4821(RGJF-09?ZCM?)	40,000 [11.7]	27,850 [8.2]	12,150 [3.6]	12.50	15.50	76	1,225 [578]	
RCFL-H*4821(RGJF-10?ZCM?)	39,500 [11.6]	27,100 [7.9]	12,400 [3.6]	12.50	15.10	76	1,200 [566]	
RCFL-H*4821(RGLE-07?AMK?)	39,500 [11.6]	27,150 [8.0]	12,350 [3.6]	12.50	15.10	76	1,200 [566]	
RCFL-H*4821(RGLE-10?BRM?)	40,500 [11.9]	29,150 [8.5]	11,350 [3.3]	12.50	15.50	76	1,400 [661]	
RCFL-H*4821(RGLT-07?AMK?)	40,000 [11.7]	27,900 [8.2]	12,100 [3.5]	12.50	15.10	76	1,250 [590]	
RCFL-H*4821(RGLT-07?BRQ?)	40,000 [11.7]	27,800 [8.1]	12,200 [3.6]	13.00	15.50	76	1,250 [590]	

① Highest sales volume tested combination required by D.O.E. test procedures.

[] Designates Metric Conversions

Performance Data @ AHRI Standard Conditions—Cooling

Model Numbers		80°F [26.5°C] DB/67°F [19.5°C] WB Indoor Air 95°F [35°C] DB Outdoor Air					Sound Rating dB	Indoor CFM [L/s]
Outdoor Unit RAPM-	Indoor Coil and/or Air Handler	Total Capacity BTU/H [kW]	Net Sensible BTU/H [kW]	Net Latent BTU/H [kW]	EER	SEER		
Rev. 6/14/12	RCFL-H*4821(RGLT-10?BRM?)	40,000 [11.7]	27,800 [8.1]	12,200 [3.6]	13.00	15.50	76	1,250 [590]
	RCFL-H*4821(RGPE-05?BMK?)	39,500 [11.6]	27,200 [8.0]	12,300 [3.6]	12.00	14.50	76	1,200 [566]
	RCFL-H*4821(RGPE-07?AMK?)	40,000 [11.7]	27,900 [8.2]	12,100 [3.5]	12.50	15.10	76	1,225 [578]
	RCFL-H*4821(RGPE-07?BRQ?)	40,000 [11.7]	27,800 [8.1]	12,200 [3.6]	13.00	15.50	76	1,225 [578]
	RCFL-H*4821(RGPE-10?BRM?)	40,000 [11.7]	27,800 [8.1]	12,200 [3.6]	13.00	15.50	76	1,225 [578]
	RCFL-H*4821(RGPT-05?BMK?)	39,500 [11.6]	27,450 [8.0]	12,050 [3.5]	12.00	14.50	76	1,225 [578]
	RCFL-H*4821(RGPT-07?AMK?)	39,500 [11.6]	27,450 [8.0]	12,050 [3.5]	12.00	14.50	76	1,250 [590]
	RCFL-H*4821(RGPT-07?BRQ?)	40,000 [11.7]	27,800 [8.1]	12,200 [3.6]	13.00	15.50	76	1,250 [590]
	RCFL-H*4821(RGPT-10?BRM?)	40,000 [11.7]	27,800 [8.1]	12,200 [3.6]	13.00	15.50	76	1,225 [578]
	RCFL-H*4821(RGRM-09?ZAJ?)	40,000 [11.7]	27,900 [8.2]	12,100 [3.5]	12.50	15.10	76	1,225 [578]
	RCFL-H*4821(RGRM-10?ZAJ?)	39,500 [11.6]	26,900 [7.9]	12,600 [3.7]	12.50	15.10	76	1,150 [543]
	RCFL-H*4821(RGTM-06?MAE?)	39,500 [11.6]	27,500 [8.1]	12,000 [3.5]	12.00	14.50	76	1,225 [578]
	RCFL-H*4821(RGTM-07?RBG?)	39,500 [11.6]	26,700 [7.8]	12,800 [3.8]	12.50	15.50	76	1,125 [531]
	RCFL-H*4821(RGTM-09?ZAJ?)	40,000 [11.7]	27,850 [8.2]	12,150 [3.6]	12.50	15.10	76	1,250 [590]
	RCFL-H*4821(RHWP-04WWMX36A)	39,500 [11.6]	27,300 [8.0]	12,200 [3.6]	12.50	15.10	76	1,200 [566]
	RCFL-H*4821(RHWP-06WWMX48A)	39,500 [11.6]	27,300 [8.0]	12,200 [3.6]	12.50	15.10	76	1,200 [566]
	RCFL-H*4821(ROCA-070E03)	39,500 [11.6]	27,150 [8.0]	12,350 [3.6]	12.50	15.10	76	1,200 [566]
	RCFL-H*4821(ROCA-070E04)	39,500 [11.6]	27,150 [8.0]	12,350 [3.6]	12.50	15.10	76	1,200 [566]
	RCFL-H*4821(ROLA-070E03)	39,500 [11.6]	26,950 [7.9]	12,550 [3.7]	12.50	15.50	76	1,175 [554]
	RCFL-H*4821(ROLA-070E04)	39,500 [11.6]	26,950 [7.9]	12,550 [3.7]	12.50	15.50	76	1,175 [554]
	RCFL-H*4821(ROLA-115E05)	40,000 [11.7]	27,550 [8.1]	12,450 [3.6]	13.00	15.50	76	1,200 [566]
	RCFL-H*4824(RGFE-09?ZCM?)	39,500 [11.6]	27,150 [8.0]	12,350 [3.6]	12.50	15.10	76	1,200 [566]
	RCFL-H*4824(RGFE-10?ZCM?)	40,000 [11.7]	27,900 [8.2]	12,100 [3.5]	12.50	15.10	76	1,225 [578]
	RCFL-H*4824(RGFE-12?RCM?)	40,000 [11.7]	27,850 [8.2]	12,150 [3.6]	12.50	15.50	76	1,225 [578]
	RCFL-H*4824(RGFG-09?ZCM?)	39,500 [11.6]	27,400 [8.0]	12,100 [3.5]	12.50	15.10	76	1,200 [566]
	RCFL-H*4824(RGFG-10?ZCM?)	39,500 [11.6]	27,200 [8.0]	12,300 [3.6]	12.50	15.10	76	1,200 [566]
	RCFL-H*4824(RGFG-12?RCM?)	40,000 [11.7]	28,000 [8.2]	12,000 [3.5]	13.00	15.50	76	1,225 [578]
	RCFL-H*4824(RGGE-09?ZCM?)	40,000 [11.7]	27,850 [8.2]	12,150 [3.6]	12.50	15.50	76	1,225 [578]
	RCFL-H*4824(RGGE-10?ZCM?)	39,500 [11.6]	27,150 [8.0]	12,350 [3.6]	12.50	15.10	76	1,200 [566]
	RCFL-H*4824(RGGE-12?RCM?)	40,500 [11.9]	29,050 [8.5]	11,450 [3.4]	12.50	15.00	76	1,375 [649]
	RCFL-H*4824(RGJF-09?ZCM?)	40,000 [11.7]	27,850 [8.2]	12,150 [3.6]	12.50	15.50	76	1,225 [578]
	RCFL-H*4824(RGJF-10?ZCM?)	40,000 [11.7]	27,850 [8.2]	12,150 [3.6]	12.50	15.50	76	1,225 [578]
	RCFL-H*4824(RGJF-12?RCM?)	40,000 [11.7]	27,550 [8.1]	12,450 [3.6]	13.00	15.50	76	1,200 [566]
	RCFL-H*4824(RGLE-10?BRM?)	40,500 [11.9]	29,150 [8.5]	11,350 [3.3]	12.50	15.50	76	1,400 [661]
	RCFL-H*4824(RGLE-12?ARM?)	40,000 [11.7]	27,800 [8.1]	12,200 [3.6]	13.00	15.50	76	1,225 [578]
	RCFL-H*4824(RGLT-07?BRQ?)	40,000 [11.7]	27,800 [8.1]	12,200 [3.6]	13.00	15.50	76	1,250 [590]
RCFL-H*4824(RGLT-10?BRM?)	40,000 [11.7]	27,800 [8.1]	12,200 [3.6]	13.00	15.50	76	1,250 [590]	
RCFL-H*4824(RGLT-12?ARM?)	39,500 [11.6]	26,750 [7.8]	12,750 [3.7]	13.00	16.00	76	1,150 [543]	
RCFL-H*4824(RGPE-07?BRQ?)	40,000 [11.7]	27,800 [8.1]	12,200 [3.6]	13.00	15.50	76	1,225 [578]	
RCFL-H*4824(RGPE-10?BRM?)	40,000 [11.7]	27,800 [8.1]	12,200 [3.6]	13.00	15.50	76	1,225 [578]	
RCFL-H*4824(RGPE-12?ARM?)	41,000 [12.0]	29,800 [8.7]	11,200 [3.3]	12.50	15.50	76	1,425 [672]	
RCFL-H*4824(RGPT-07?BRQ?)	40,000 [11.7]	27,800 [8.1]	12,200 [3.6]	13.00	15.50	76	1,225 [578]	
RCFL-H*4824(RGPT-10?BRM?)	40,000 [11.7]	27,800 [8.1]	12,200 [3.6]	13.00	15.50	76	1,225 [578]	
RCFL-H*4824(RGPT-12?ARM?)	40,000 [11.7]	27,400 [8.0]	12,600 [3.7]	13.00	16.00	76	1,175 [554]	
RCFL-H*4824(RGRM-09?ZAJ?)	40,000 [11.7]	27,900 [8.2]	12,100 [3.5]	12.50	15.00	76	1,225 [578]	
RCFL-H*4824(RGRM-10?ZAJ?)	39,500 [11.6]	26,900 [7.9]	12,600 [3.7]	12.50	15.10	76	1,150 [543]	
RCFL-H*4824(RGRM-12?RAJ?)	40,000 [11.7]	27,850 [8.2]	12,150 [3.6]	12.50	15.10	76	1,225 [578]	
RCFL-H*4824(RGTM-07?RBG?)	39,500 [11.6]	26,700 [7.8]	12,800 [3.8]	12.50	15.50	76	1,125 [531]	

① Highest sales volume tested combination required by D.O.E. test procedures.

[] Designates Metric Conversions

Performance Data @ AHRI Standard Conditions—Cooling

Model Numbers		80°F [26.5°C] DB/67°F [19.5°C] WB Indoor Air 95°F [35°C] DB Outdoor Air					Sound Rating dB	Indoor CFM [L/s]
Outdoor Unit RAPM-	Indoor Coil and/or Air Handler	Total Capacity BTU/H [kW]	Net Sensible BTU/H [kW]	Net Latent BTU/H [kW]	EER	SEER		
Rev. 6/14/12	RCFL-H*4824(RGTM-09?ZAJ?)	40,000 [11.7]	27,850 [8.2]	12,150 [3.6]	12.50	15.10	76	1,250 [590]
	RCFL-H*4824(RGTM-10?RBJ?)	39,500 [11.6]	26,700 [7.8]	12,800 [3.8]	13.00	15.50	76	1,125 [531]
	RCFL-H*4824(RHWB-08WPX60A)	40,500 [11.9]	29,000 [8.5]	11,500 [3.4]	13.00	15.50	76	1,350 [637]
	RCFL-H*4824(RHWB-10WPX60A)	41,000 [12.0]	29,800 [8.7]	11,200 [3.3]	13.00	15.50	76	1,400 [661]
	RCFL-H*4824(ROCA-070E03)	39,500 [11.6]	27,150 [8.0]	12,350 [3.6]	12.50	15.10	76	1,200 [566]
	RCFL-H*4824(ROCA-070E04)	39,500 [11.6]	27,150 [8.0]	12,350 [3.6]	12.50	15.10	76	1,200 [566]
	RCFL-H*4824(ROLA-070E03)	39,500 [11.6]	26,950 [7.9]	12,550 [3.7]	12.50	15.50	76	1,175 [554]
	RCFL-H*4824(ROLA-070E04)	39,500 [11.6]	26,950 [7.9]	12,550 [3.7]	12.50	15.50	76	1,175 [554]
	RCFL-H*4824(ROLA-115E05)	40,000 [11.7]	27,550 [8.1]	12,450 [3.6]	13.00	15.50	76	1,200 [566]
	RCFL-H*4824+RXMD-C04	39,500 [11.6]	27,500 [8.1]	12,000 [3.5]	12.00	14.50	76	1,250 [590]
042JEZ	RCFN-H*4824(RGFE-09?ZCM?)	43,500 [12.7]	32,500 [9.5]	11,000 [3.2]	12.50	15.00	76	1,200 [566]
	RCFN-H*4824(RGFE-10?ZCM?)	42,500 [12.5]	30,500 [8.9]	12,000 [3.5]	13.00	15.50	76	1,225 [578]
	RCFN-H*4824(RGFE-12?RCM?)	43,000 [12.6]	30,950 [9.1]	12,050 [3.5]	13.00	16.00	76	1,225 [578]
	RCFN-H*4824(RGFG-09?ZCM?)	44,000 [12.9]	34,000 [10.0]	10,000 [2.9]	13.00	15.50	76	1,400 [661]
	RCFN-H*4824(RGFG-10?ZCM?)	44,000 [12.9]	34,050 [10.0]	9,950 [2.9]	12.50	15.10	76	1,400 [661]
	RCFN-H*4824(RGFG-12?RCM?)	44,500 [13.0]	34,800 [10.2]	9,700 [2.8]	13.00	15.50	76	1,450 [684]
	RCFN-H*4824(RGGE-09?ZCM?)	43,000 [12.6]	30,950 [9.1]	12,050 [3.5]	13.00	16.00	76	1,225 [578]
	RCFN-H*4824(RGGE-10?ZCM?)	43,500 [12.7]	32,500 [9.5]	11,000 [3.2]	12.50	15.00	76	1,200 [566]
	RCFN-H*4824(RGGE-12?RCM?)	43,500 [12.7]	32,500 [9.5]	11,000 [3.2]	13.00	15.50	76	1,375 [649]
	RCFN-H*4824(RGJF-09?ZCM?)	43,000 [12.6]	30,950 [9.1]	12,050 [3.5]	13.00	16.00	76	1,225 [578]
	RCFN-H*4824(RGJF-10?ZCM?)	43,500 [12.7]	32,500 [9.5]	11,000 [3.2]	12.50	15.00	76	1,200 [566]
	RCFN-H*4824(RGJF-12?RCM?)	43,500 [12.7]	32,500 [9.5]	11,000 [3.2]	13.00	15.50	76	1,375 [649]
	RCFN-H*4824(RGLE-07?BRQ?)	43,000 [12.6]	30,900 [9.1]	12,100 [3.5]	13.00	16.00	76	1,225 [578]
	RCFN-H*4824(RGLE-10?BRM?)	44,000 [12.9]	32,950 [9.7]	11,050 [3.2]	13.00	16.00	76	1,400 [661]
	RCFN-H*4824(RGLE-12?ARM?)	43,000 [12.6]	32,300 [9.5]	10,700 [3.1]	13.00	16.00	76	1,225 [578]
	RCFN-H*4824(RGLT-07?BRQ?)	43,000 [12.6]	31,050 [9.1]	11,950 [3.5]	13.00	16.00	76	1,250 [590]
	RCFN-H*4824(RGLT-10?BRM?)	43,000 [12.6]	31,050 [9.1]	11,950 [3.5]	13.00	16.00	76	1,250 [590]
	RCFN-H*4824(RGLT-12?ARM?)	44,000 [12.9]	32,950 [9.7]	11,050 [3.2]	13.00	16.00	76	1,400 [661]
	RCFN-H*4824(RGPE-07?BRQ?)	43,000 [12.6]	30,900 [9.1]	12,100 [3.5]	13.00	16.00	76	1,225 [578]
	RCFN-H*4824(RGPE-10?BRM?)	43,000 [12.6]	30,900 [9.1]	12,100 [3.5]	13.00	16.00	76	1,225 [578]
	RCFN-H*4824(RGPE-12?ARM?)	43,500 [12.7]	32,500 [9.5]	11,000 [3.2]	13.00	16.00	76	1,425 [672]
	RCFN-H*4824(RGPT-07?BRQ?)	43,500 [12.7]	31,950 [9.4]	11,550 [3.4]	13.00	16.00	76	1,325 [625]
	RCFN-H*4824(RGPT-12?ARM?)	44,000 [12.9]	32,950 [9.7]	11,050 [3.2]	13.00	16.00	76	1,375 [649]
	RCFN-H*4824(RGRM-09?ZAJ?)	42,500 [12.5]	30,100 [8.8]	12,400 [3.6]	13.00	15.50	76	1,225 [578]
	RCFN-H*4824(RGRM-12?RAJ?)	42,500 [12.5]	30,050 [8.8]	12,450 [3.6]	13.00	15.50	76	1,225 [578]
	RCFN-H*4824(RHWB-08WRX60A)	44,500 [13.0]	34,400 [10.1]	10,100 [3.0]	13.00	16.00	76	1,350 [637]
	RCFN-H*4824(RHWB-10WRX60A)	44,500 [13.0]	34,700 [10.2]	9,800 [2.9]	13.00	16.00	76	1,400 [661]
	RCFN-H*4824(ROLA-070E04)	43,500 [12.7]	32,500 [9.5]	11,000 [3.2]	13.00	15.50	76	1,375 [649]
	RCFN-H*4824(ROLA-115E05)	43,500 [12.7]	32,500 [9.5]	11,000 [3.2]	13.00	15.50	76	1,400 [661]
	RCFN-H*4824+RXMD-C04	42,000 [12.3]	29,800 [8.7]	12,200 [3.6]	12.50	15.00	76	1,200 [566]
	RBHP-24(RCHL-48A1)	39,500 [11.6]	27,200 [8.0]	12,300 [3.6]	12.50	15.00	76	1,400 [661]
	RCQD-4821(RGFE-06?MCK?)	39,500 [11.6]	27,400 [8.0]	12,100 [3.5]	11.50	14.00	76	1,200 [566]
	RCQD-4821(RGFE-09?ZCM?)	40,500 [11.9]	29,450 [8.6]	11,050 [3.2]	11.50	14.00	76	1,400 [661]
	RCQD-4821(RGFE-10?ZCM?)	40,500 [11.9]	29,600 [8.7]	10,900 [3.2]	12.00	14.00	76	1,425 [672]
	RCQD-4821(RGFG-09?ZCM?)	39,500 [11.6]	27,400 [8.0]	12,100 [3.5]	12.50	15.00	76	1,200 [566]
	RCQD-4821(RGFG-10?ZCM?)	39,500 [11.6]	27,400 [8.0]	12,100 [3.5]	12.00	14.50	76	1,200 [566]
RCQD-4821(RGJF-06?MCK?)	40,000 [11.7]	27,850 [8.2]	12,150 [3.6]	12.00	14.50	76	1,200 [566]	
RCQD-4821(RGJF-07?MCK?)	39,500 [11.6]	27,350 [8.0]	12,150 [3.6]	12.00	14.00	76	1,200 [566]	

① Highest sales volume tested combination required by D.O.E. test procedures.

[] Designates Metric Conversions

Performance Data @ AHRI Standard Conditions—Cooling

Model Numbers		80°F [26.5°C] DB/67°F [19.5°C] WB Indoor Air 95°F [35°C] DB Outdoor Air					Sound Rating dB	Indoor CFM [L/s]
Outdoor Unit RAPM-	Indoor Coil and/or Air Handler	Total Capacity BTU/H [kW]	Net Sensible BTU/H [kW]	Net Latent BTU/H [kW]	EER	SEER		
Rev. 6/14/12	RCQD-4821(RGJF-09?ZCM?)	40,000 [11.7]	27,900 [8.2]	12,100 [3.5]	12.50	15.00	76	1,225 [578]
	RCQD-4821(RGJF-10?ZCM?)	40,000 [11.7]	27,750 [8.1]	12,250 [3.6]	12.50	15.00	76	1,200 [566]
	RCQD-4821(RGPE-05?BMK?)	39,500 [11.6]	27,350 [8.0]	12,150 [3.6]	12.00	14.50	76	1,200 [566]
	RCQD-4821(RGPE-07?AMK?)	40,000 [11.7]	27,950 [8.2]	12,050 [3.5]	12.00	14.50	76	1,225 [578]
	RCQD-4821(RGPE-07?BRQ?)	40,500 [11.9]	28,350 [8.3]	12,150 [3.6]	12.50	15.10	76	1,225 [578]
	RCQD-4821(RGPE-10?BRM?)	40,500 [11.9]	28,350 [8.3]	12,150 [3.6]	12.50	15.50	76	1,225 [578]
	RCQD-4821(RGPT-05?BMK?)	40,000 [11.7]	28,150 [8.2]	11,850 [3.5]	12.00	14.00	76	1,250 [590]
	RCQD-4821(RGPT-07?AMK?)	40,000 [11.7]	28,100 [8.2]	11,900 [3.5]	12.00	14.50	76	1,250 [590]
	RCQD-4821(RGPT-07?BRQ?)	40,500 [11.9]	28,500 [8.4]	12,000 [3.5]	13.00	15.00	76	1,250 [590]
	RCQD-4821(RGPT-10?BRM?)	40,500 [11.9]	28,500 [8.4]	12,000 [3.5]	13.00	15.50	76	1,250 [590]
042JEZ	RCQD-4821(RGRM-09?ZAJ?)	40,000 [11.7]	30,200 [8.8]	9,800 [2.9]	11.50	14.00	76	1,225 [578]
	RCQD-4821(RGRM-10?ZAJ?)	39,500 [11.6]	29,250 [8.6]	10,250 [3.0]	11.50	14.00	76	1,150 [543]
	RCQD-4821(RHWB-04WMX36A)	39,500 [11.6]	27,600 [8.1]	11,900 [3.5]	12.50	15.10	76	1,200 [566]
	RCQD-4821(RHWB-06WMX48A)	39,500 [11.6]	27,600 [8.1]	11,900 [3.5]	12.50	15.10	76	1,200 [566]
	RCQD-4821(ROCA-070E03)	40,000 [11.7]	27,800 [8.1]	12,200 [3.6]	12.00	14.50	76	1,200 [566]
	RCQD-4821(ROCA-070E04)	40,000 [11.7]	27,800 [8.1]	12,200 [3.6]	12.00	14.50	76	1,200 [566]
	RCQD-4821(ROLA-070E03)	40,000 [11.7]	27,600 [8.1]	12,400 [3.6]	12.50	15.10	76	1,175 [554]
	RCQD-4821(ROLA-070E04)	40,000 [11.7]	27,600 [8.1]	12,400 [3.6]	12.50	15.10	76	1,175 [554]
	RCQD-4821(ROLA-115E05)	40,000 [11.7]	27,700 [8.1]	12,300 [3.6]	12.50	15.10	76	1,200 [566]
	RCQD-4821+RXMD-C04	39,500 [11.6]	27,800 [8.1]	11,700 [3.4]	11.50	14.00	76	1,255 [592]
	RCQD-4824(RGFE-09?ZCM?)	40,000 [11.7]	27,750 [8.1]	12,250 [3.6]	12.50	15.00	76	1,200 [566]
	RCQD-4824(RGFE-10?ZCM?)	40,000 [11.7]	27,900 [8.2]	12,100 [3.5]	12.00	14.50	76	1,225 [578]
	RCQD-4824(RGFE-12?RCM?)	40,500 [11.9]	28,350 [8.3]	12,150 [3.6]	12.50	15.00	76	1,225 [578]
	RCQD-4824(RGFG-09?ZCM?)	39,500 [11.6]	27,400 [8.0]	12,100 [3.5]	12.50	15.10	76	1,200 [566]
	RCQD-4824(RGFG-10?ZCM?)	39,500 [11.6]	27,400 [8.0]	12,100 [3.5]	12.50	15.10	76	1,200 [566]
	RCQD-4824(RGFG-12?RCM?)	40,000 [11.7]	28,100 [8.2]	11,900 [3.5]	13.00	15.50	76	1,225 [578]
	RCQD-4824(RGJF-09?ZCM?)	40,000 [11.7]	27,850 [8.2]	12,150 [3.6]	12.50	15.00	76	1,225 [578]
	RCQD-4824(RGJF-10?ZCM?)	40,500 [11.9]	29,400 [8.6]	11,100 [3.3]	12.00	14.50	76	1,400 [661]
	RCQD-4824(RGJF-12?RCM?)	40,000 [11.7]	27,700 [8.1]	12,300 [3.6]	12.50	15.50	76	1,200 [566]
	RCQD-4824(RGPE-07?BRQ?)	40,500 [11.9]	28,300 [8.3]	12,200 [3.6]	12.50	15.50	76	1,225 [578]
	RCQD-4824(RGPE-10?BRM?)	40,500 [11.9]	28,300 [8.3]	12,200 [3.6]	12.50	15.50	76	1,225 [578]
	RCQD-4824(RGPE-12?ARM?)	40,500 [11.9]	28,150 [8.2]	12,350 [3.6]	13.00	15.50	76	1,200 [566]
	RCQD-4824(RGPT-07?BRQ?)	40,500 [11.9]	28,500 [8.4]	12,000 [3.5]	13.00	15.50	76	1,275 [602]
	RCQD-4824(RGPT-10?BRM?)	40,500 [11.9]	28,450 [8.3]	12,050 [3.5]	13.00	15.50	76	1,275 [602]
	RCQD-4824(RGPT-12?ARM?)	40,500 [11.9]	28,300 [8.3]	12,200 [3.6]	13.00	15.50	76	1,225 [578]
	RCQD-4824(RGRM-09?ZAJ?)	39,500 [11.6]	29,900 [8.8]	9,600 [2.8]	11.50	14.00	76	1,225 [578]
	RCQD-4824(RGRM-10?ZAJ?)	39,500 [11.6]	29,450 [8.6]	10,050 [2.9]	11.50	14.00	76	1,150 [543]
	RCQD-4824(RGRM-12?RAJ?)	40,000 [11.7]	30,350 [8.9]	9,650 [2.8]	12.00	14.50	76	1,225 [578]
	RCQD-4824(RHWB-08WRX60A)	41,000 [12.0]	30,100 [8.8]	10,900 [3.2]	13.00	15.50	76	1,400 [661]
	RCQD-4824(ROCA-070E03)	40,000 [11.7]	27,750 [8.1]	12,250 [3.6]	12.50	15.00	76	1,200 [566]
	RCQD-4824(ROCA-070E04)	40,000 [11.7]	27,750 [8.1]	12,250 [3.6]	12.50	15.00	76	1,200 [566]
	RCQD-4824(ROLA-070E03)	40,000 [11.7]	27,600 [8.1]	12,400 [3.6]	12.50	15.10	76	1,175 [554]
	RCQD-4824(ROLA-070E04)	40,000 [11.7]	27,600 [8.1]	12,400 [3.6]	12.50	15.10	76	1,175 [554]
	RCQD-4824(ROLA-115E05)	40,000 [11.7]	27,700 [8.1]	12,300 [3.6]	13.00	15.50	76	1,200 [566]
	RCQD-4824+RXMD-C04	39,500 [11.6]	27,800 [8.1]	11,700 [3.4]	11.50	14.00	76	1,255 [592]
	RHKL-HM3821(RCSL-H*3821)	41,000 [12.0]	28,250 [8.3]	12,750 [3.7]	13.00	16.00	76	1,200 [566]

① Highest sales volume tested combination required by D.O.E. test procedures.

[] Designates Metric Conversions

Performance Data @ AHRI Standard Conditions—Cooling

Model Numbers		80°F [26.5°C] DB/67°F [19.5°C] WB Indoor Air 95°F [35°C] DB Outdoor Air					Sound Rating dB	Indoor CFM [L/s]
Outdoor Unit RAPM-	Indoor Coil and/or Air Handler	Total Capacity BTU/H [kW]	Net Sensible BTU/H [kW]	Net Latent BTU/H [kW]	EER	SEER		
Rev. 6/14/12 042JEZ	RHLL-HM3821(RCSL-H*3821)	41,000 [12.0]	28,800 [8.4]	12,200 [3.6]	13.00	16.00	76	1,220 [576]
	RHKL-HM4821(RCSL-H*4821)	41,000 [12.0]	29,600 [8.7]	11,400 [3.3]	13.00	15.50	76	1,400 [661]
	RHLL-HM4821(RCSL-H*4821)	41,000 [12.0]	29,600 [8.7]	11,400 [3.3]	13.00	15.50	76	1,400 [661]
	RHSL-HM4221(RCSL-H*4821)	40,000 [11.7]	28,550 [8.4]	11,450 [3.4]	12.00	14.50	76	1,350 [637]
	RHPN-HM3624(RCSN-H*3624)	43,000 [12.6]	30,450 [8.9]	12,550 [3.7]	13.00	16.00	76	1,200 [566]
048JEZ	RCFL-H*4821+RXMD-C04 ①	47,500 [13.9]	33,350 [9.8]	14,150 [4.1]	12.00	14.50	76	1,575 [743]
	RCFL-A*4821(RGFE-09?ZCM?)	47,000 [13.8]	31,650 [9.3]	15,350 [4.5]	12.00	14.50	76	1,400 [661]
	RCFL-A*4821(RGFG-09?ZCM?)	47,000 [13.8]	31,600 [9.3]	15,400 [4.5]	12.00	14.50	76	1,400 [661]
	RCFL-A*4821(RGGE-09?ZCM?)	47,000 [13.8]	31,600 [9.3]	15,400 [4.5]	12.50	14.50	76	1,400 [661]
	RCFL-A*4821(RGGE-10?ZCM?)	47,000 [13.8]	31,650 [9.3]	15,350 [4.5]	12.00	14.50	76	1,400 [661]
	RCFL-A*4821(RGLE-10?BRM?)	47,500 [13.9]	32,000 [9.4]	15,500 [4.5]	12.50	15.10	76	1,400 [661]
	RCFL-A*4821(RGLT-07?AMK?)	46,500 [13.6]	30,650 [9.0]	15,850 [4.6]	12.00	14.50	76	1,325 [625]
	RCFL-A*4821(RGLT-07?BRQ?)	47,500 [13.9]	32,200 [9.4]	15,300 [4.5]	12.50	15.10	76	1,425 [672]
	RCFL-A*4821(RGLT-10?BRM?)	47,500 [13.9]	32,050 [9.4]	15,450 [4.5]	12.50	15.10	76	1,400 [661]
	RCFL-A*4821(RGPE-07?BRQ?)	47,500 [13.9]	32,050 [9.4]	15,450 [4.5]	12.50	15.10	76	1,400 [661]
	RCFL-A*4821(RGPE-10?BRM?)	47,500 [13.9]	32,050 [9.4]	15,450 [4.5]	12.50	15.10	76	1,400 [661]
	RCFL-A*4821(RGPT-07?AMK?)	46,500 [13.6]	30,700 [9.0]	15,800 [4.6]	12.00	14.50	76	1,325 [625]
	RCFL-A*4821(RGPT-07?BRQ?)	47,500 [13.9]	32,150 [9.4]	15,350 [4.5]	12.50	15.00	76	1,425 [672]
	RCFL-A*4821(RGPT-10?BRM?)	47,500 [13.9]	32,150 [9.4]	15,350 [4.5]	12.50	15.50	76	1,425 [672]
	RCFL-A*4821(RGTM-07?RBG?)	47,500 [13.9]	32,600 [9.6]	14,900 [4.4]	12.50	14.50	76	1,475 [696]
	RCFL-A*4821(RGTM-09?ZAJ?)	47,000 [13.8]	31,600 [9.3]	15,400 [4.5]	12.50	14.50	76	1,400 [661]
	RCFL-A*4821(ROLA-070E04)	47,000 [13.8]	31,400 [9.2]	15,600 [4.6]	12.50	15.10	76	1,375 [649]
	RCFL-A*4821(ROLA-115E05)	47,000 [13.8]	31,550 [9.2]	15,450 [4.5]	12.50	15.10	76	1,400 [661]
	RCFL-A*4821+RXMD-C04	47,500 [13.9]	33,350 [9.8]	14,150 [4.1]	12.00	14.50	76	1,575 [743]
	RCFL-A*4824(RGFE-09?ZCM?)	47,000 [13.8]	31,650 [9.3]	15,350 [4.5]	12.00	14.50	76	1,400 [661]
	RCFL-A*4824(RGFE-12?RCM?)	47,500 [13.9]	32,400 [9.5]	15,100 [4.4]	12.50	15.00	76	1,450 [684]
	RCFL-A*4824(RGFG-10?ZCM?)	47,000 [13.8]	31,600 [9.3]	15,400 [4.5]	12.00	14.50	76	1,400 [661]
	RCFL-A*4824(RGFG-12?RCM?)	47,000 [13.8]	32,200 [9.4]	14,800 [4.3]	12.50	15.00	76	1,450 [684]
	RCFL-A*4824(RGGE-09?ZCM?)	47,000 [13.8]	31,600 [9.3]	15,400 [4.5]	12.00	14.50	76	1,400 [661]
	RCFL-A*4824(RGGE-12?RCM?)	47,000 [13.8]	31,350 [9.2]	15,650 [4.6]	12.50	15.10	76	1,375 [649]
	RCFL-A*4824(RGLE-10?BRM?)	47,500 [13.9]	32,000 [9.4]	15,500 [4.5]	12.50	15.10	76	1,400 [661]
	RCFL-A*4824(RGLE-12?ARM?)	47,500 [13.9]	32,150 [9.4]	15,350 [4.5]	12.50	15.10	76	1,425 [672]
	RCFL-A*4824(RGLT-07?BRQ?)	47,500 [13.9]	32,200 [9.4]	15,300 [4.5]	12.50	15.10	76	1,425 [672]
	RCFL-A*4824(RGLT-10?BRM?)	47,500 [13.9]	32,050 [9.4]	15,450 [4.5]	12.50	15.10	76	1,400 [661]
	RCFL-A*4824(RGLT-12?ARM?)	47,500 [13.9]	31,650 [9.3]	15,850 [4.6]	13.00	15.50	76	1,350 [637]
	RCFL-A*4824(RGPE-07?BRQ?)	47,500 [13.9]	32,050 [9.4]	15,450 [4.5]	12.50	15.10	76	1,400 [661]
	RCFL-A*4824(RGPE-10?BRM?)	47,500 [13.9]	32,050 [9.4]	15,450 [4.5]	12.50	15.10	76	1,400 [661]
	RCFL-A*4824(RGPE-12?ARM?)	47,500 [13.9]	32,150 [9.4]	15,350 [4.5]	12.50	15.10	76	1,425 [672]
	RCFL-A*4824(RGPT-07?BRQ?)	48,500 [14.2]	34,100 [10.0]	14,400 [4.2]	13.00	15.50	76	1,550 [731]
	RCFL-A*4824(RGPT-10?BRM?)	47,500 [13.9]	32,000 [9.4]	15,500 [4.5]	12.50	15.10	76	1,400 [661]
	RCFL-A*4824(RGPT-12?ARM?)	47,500 [13.9]	31,650 [9.3]	15,850 [4.6]	13.00	15.50	76	1,350 [637]
	RCFL-A*4824(RGTM-07?RBG?)	47,500 [13.9]	32,600 [9.6]	14,900 [4.4]	12.50	14.50	76	1,475 [696]
	RCFL-A*4824(RGTM-09?ZAJ?)	47,000 [13.8]	31,600 [9.3]	15,400 [4.5]	12.50	14.50	76	1,400 [661]
	RCFL-A*4824(RGTM-10?BRJ?)	47,500 [13.9]	32,200 [9.4]	15,300 [4.5]	12.50	15.10	76	1,425 [672]
	RCFL-A*4824(RHWP-08WRX60A)	47,500 [13.9]	32,500 [9.5]	15,000 [4.4]	12.50	15.10	76	1,450 [684]
RCFL-A*4824(RHWP-10WRX60A)	48,000 [14.1]	33,200 [9.7]	14,800 [4.3]	13.00	15.50	76	1,475 [696]	
RCFL-A*4824(ROLA-070E04)	47,000 [13.8]	31,400 [9.2]	15,600 [4.6]	12.50	15.10	76	1,375 [649]	
RCFL-A*4824(ROLA-115E05)	47,500 [13.9]	32,800 [9.6]	14,700 [4.3]	12.00	14.50	76	1,500 [708]	

① Highest sales volume tested combination required by D.O.E. test procedures.

[] Designates Metric Conversions

Performance Data @ AHRI Standard Conditions—Cooling

Model Numbers		80°F [26.5°C] DB/67°F [19.5°C] WB Indoor Air 95°F [35°C] DB Outdoor Air					Sound Rating dB	Indoor CFM [L/s]
Outdoor Unit RAPM-	Indoor Coil and/or Air Handler	Total Capacity BTU/H [kW]	Net Sensible BTU/H [kW]	Net Latent BTU/H [kW]	EER	SEER		
Rev. 6/14/12	RCFL-A*4824+RXMD-C04	47,500 [13.9]	33,350 [9.8]	14,150 [4.1]	12.00	14.50	76	1,575 [743]
	RCFL-H*4821(RGFE-09?ZCM?)	47,000 [13.8]	31,650 [9.3]	15,350 [4.5]	12.00	14.50	76	1,400 [661]
	RCFL-H*4821(RGFG-09?ZCM?)	47,000 [13.8]	31,600 [9.3]	15,400 [4.5]	12.00	14.50	76	1,400 [661]
	RCFL-H*4821(RGFG-10?ZCM?)	47,000 [13.8]	31,600 [9.3]	15,400 [4.5]	12.00	14.50	76	1,400 [661]
	RCFL-H*4821(RGGE-09?ZCM?)	47,000 [13.8]	31,600 [9.3]	15,400 [4.5]	12.00	14.50	76	1,400 [661]
	RCFL-H*4821(RGGE-10?ZCM?)	47,000 [13.8]	31,650 [9.3]	15,350 [4.5]	12.00	14.50	76	1,400 [661]
	RCFL-H*4821(RGJF-09?ZCM?)	47,000 [13.8]	31,600 [9.3]	15,400 [4.5]	12.00	14.50	76	1,400 [661]
	RCFL-H*4821(RGJF-10?ZCM?)	47,000 [13.8]	31,650 [9.3]	15,350 [4.5]	12.00	14.50	76	1,400 [661]
	RCFL-H*4821(RGLE-10?BRM?)	47,500 [13.9]	32,000 [9.4]	15,500 [4.5]	12.50	15.10	76	1,400 [661]
	RCFL-H*4821(RGLT-07?AMK?)	46,500 [13.6]	30,650 [9.0]	15,850 [4.6]	12.00	14.50	76	1,325 [625]
	RCFL-H*4821(RGLT-07?BRQ?)	47,500 [13.9]	32,200 [9.4]	15,300 [4.5]	12.50	15.10	76	1,425 [672]
	RCFL-H*4821(RGLT-10?BRM?)	47,500 [13.9]	32,050 [9.4]	15,450 [4.5]	12.50	15.10	76	1,400 [661]
	RCFL-H*4821(RGPE-07?BRQ?)	47,500 [13.9]	32,050 [9.4]	15,450 [4.5]	12.50	15.10	76	1,400 [661]
	RCFL-H*4821(RGPE-10?BRM?)	47,500 [13.9]	32,050 [9.4]	15,450 [4.5]	12.50	15.10	76	1,400 [661]
	RCFL-H*4821(RGPT-07?AMK?)	46,500 [13.6]	30,700 [9.0]	15,800 [4.6]	12.00	14.50	76	1,325 [625]
	RCFL-H*4821(RGPT-07?BRQ?)	47,500 [13.9]	32,150 [9.4]	15,350 [4.5]	12.50	15.00	76	1,425 [672]
	RCFL-H*4821(RGPT-10?BRM?)	47,500 [13.9]	32,150 [9.4]	15,350 [4.5]	12.50	15.50	76	1,425 [672]
	RCFL-H*4821(RGRM-09?ZAJ?)	47,000 [13.8]	31,700 [9.3]	15,300 [4.5]	12.00	14.50	76	1,400 [661]
	RCFL-H*4821(RGTM-07?RBG?)	47,500 [13.9]	32,600 [9.6]	14,900 [4.4]	12.50	14.50	76	1,475 [696]
	RCFL-H*4821(RGTM-09?ZAJ?)	47,000 [13.8]	31,600 [9.3]	15,400 [4.5]	12.50	14.50	76	1,400 [661]
	RCFL-H*4821(ROLA-070E04)	47,000 [13.8]	31,400 [9.2]	15,600 [4.6]	12.50	15.10	76	1,375 [649]
	RCFL-H*4821(ROLA-115E05)	47,000 [13.8]	31,550 [9.2]	15,450 [4.5]	12.50	15.10	76	1,400 [661]
	RCFL-H*4824(RGFE-09?ZCM?)	47,000 [13.8]	31,650 [9.3]	15,350 [4.5]	12.00	14.50	76	1,400 [661]
	RCFL-H*4824(RGFE-12?RCM?)	47,500 [13.9]	32,400 [9.5]	15,100 [4.4]	12.50	15.00	76	1,450 [684]
	RCFL-H*4824(RGFG-12?RCM?)	47,000 [13.8]	32,200 [9.4]	14,800 [4.3]	12.50	15.00	76	1,450 [684]
	RCFL-H*4824(RGGE-09?ZCM?)	47,000 [13.8]	31,600 [9.3]	15,400 [4.5]	12.00	14.50	76	1,400 [661]
	RCFL-H*4824(RGGE-10?ZCM?)	47,000 [13.8]	31,650 [9.3]	15,350 [4.5]	12.00	14.50	76	1,400 [661]
	RCFL-H*4824(RGGE-12?RCM?)	47,000 [13.8]	31,350 [9.2]	15,650 [4.6]	12.50	15.10	76	1,375 [649]
	RCFL-H*4824(RGJF-09?ZCM?)	47,000 [13.8]	31,600 [9.3]	15,400 [4.5]	12.00	14.50	76	1,400 [661]
	RCFL-H*4824(RGJF-10?ZCM?)	47,000 [13.8]	31,650 [9.3]	15,350 [4.5]	12.00	14.50	76	1,400 [661]
	RCFL-H*4824(RGJF-12?RCM?)	47,000 [13.8]	31,350 [9.2]	15,650 [4.6]	12.50	15.10	76	1,375 [649]
	RCFL-H*4824(RGLE-10?BRM?)	47,500 [13.9]	32,000 [9.4]	15,500 [4.5]	12.50	15.10	76	1,400 [661]
	RCFL-H*4824(RGLE-12?ARM?)	47,500 [13.9]	32,150 [9.4]	15,350 [4.5]	12.50	15.10	76	1,425 [672]
	RCFL-H*4824(RGLT-07?BRQ?)	47,500 [13.9]	32,200 [9.4]	15,300 [4.5]	12.50	15.10	76	1,425 [672]
	RCFL-H*4824(RGLT-10?BRM?)	47,500 [13.9]	32,050 [9.4]	15,450 [4.5]	12.50	15.10	76	1,400 [661]
	RCFL-H*4824(RGLT-12?ARM?)	47,500 [13.9]	31,650 [9.3]	15,850 [4.6]	13.00	15.50	76	1,350 [637]
	RCFL-H*4824(RGPE-07?BRQ?)	47,500 [13.9]	32,050 [9.4]	15,450 [4.5]	12.50	15.10	76	1,400 [661]
	RCFL-H*4824(RGPE-10?BRM?)	47,500 [13.9]	32,050 [9.4]	15,450 [4.5]	12.50	15.10	76	1,400 [661]
	RCFL-H*4824(RGPE-12?ARM?)	47,500 [13.9]	32,150 [9.4]	15,350 [4.5]	12.50	15.10	76	1,425 [672]
	RCFL-H*4824(RGPT-07?BRQ?)	48,500 [14.2]	34,100 [10.0]	14,400 [4.2]	13.00	15.50	76	1,550 [731]
RCFL-H*4824(RGPT-10?BRM?)	47,500 [13.9]	32,000 [9.4]	15,500 [4.5]	12.50	15.10	76	1,400 [661]	
RCFL-H*4824(RGPT-12?ARM?)	47,500 [13.9]	31,650 [9.3]	15,850 [4.6]	13.00	15.50	76	1,350 [637]	
RCFL-H*4824(RGRM-12?RAJ?)	47,000 [13.8]	31,750 [9.3]	15,250 [4.5]	12.00	14.50	76	1,425 [672]	
RCFL-H*4824(RGTM-07?RBG?)	47,500 [13.9]	32,600 [9.6]	14,900 [4.4]	12.50	14.50	76	1,475 [696]	
RCFL-H*4824(RGTM-09?ZAJ?)	47,000 [13.8]	31,600 [9.3]	15,400 [4.5]	12.50	14.50	76	1,400 [661]	
RCFL-H*4824(RGTM-10?RBJ?)	47,500 [13.9]	32,200 [9.4]	15,300 [4.5]	12.50	15.10	76	1,425 [672]	
RCFL-H*4824(RHWP-08WRX60A)	47,500 [13.9]	32,500 [9.5]	15,000 [4.4]	12.50	15.10	76	1,450 [684]	
RCFL-H*4824(RHWP-10WRX60A)	48,000 [14.1]	33,200 [9.7]	14,800 [4.3]	13.00	15.50	76	1,475 [696]	

① Highest sales volume tested combination required by D.O.E. test procedures.

[] Designates Metric Conversions

Performance Data @ AHRI Standard Conditions—Cooling

Model Numbers		80°F [26.5°C] DB/67°F [19.5°C] WB Indoor Air 95°F [35°C] DB Outdoor Air					Sound Rating dB	Indoor CFM [L/s]
Outdoor Unit RAPM-	Indoor Coil and/or Air Handler	Total Capacity BTU/H [kW]	Net Sensible BTU/H [kW]	Net Latent BTU/H [kW]	EER	SEER		
Rev. 6/14/12	RCFL-H*4824(ROLA-070E04)	47,000 [13.8]	31,400 [9.2]	15,600 [4.6]	12.50	15.10	76	1,375 [649]
	RCFL-H*4824(ROLA-115E05)	47,500 [13.9]	32,800 [9.6]	14,700 [4.3]	12.00	14.50	76	1,500 [708]
048JEZ	RCFL-H*4824+RXMD-C04	47,500 [13.9]	33,350 [9.8]	14,150 [4.1]	12.00	14.50	76	1,575 [743]
	RCFN-H*4824(RGFE-12?RCM?)	50,500 [14.8]	36,050 [10.6]	14,450 [4.2]	13.00	16.00	76	1,450 [684]
	RCFN-H*4824(RGFG-09?ZCM?)	49,500 [14.5]	35,250 [10.3]	14,250 [4.2]	13.00	15.50	76	1,400 [661]
	RCFN-H*4824(RGFG-10?ZCM?)	49,500 [14.5]	35,250 [10.3]	14,250 [4.2]	12.50	15.50	76	1,400 [661]
	RCFN-H*4824(RGFG-12?RCM?)	50,000 [14.6]	36,000 [10.5]	14,000 [4.1]	13.00	15.50	76	1,450 [684]
	RCFN-H*4824(RGGE-12?RCM?)	51,500 [15.1]	37,950 [11.1]	13,550 [4.0]	13.00	15.50	76	1,575 [743]
	RCFN-H*4824(RGJF-12?RCM?)	51,500 [15.1]	37,950 [11.1]	13,550 [4.0]	13.00	15.50	76	1,575 [743]
	RCFN-H*4824(RGLE-07?BRQ?)	51,500 [15.1]	38,150 [11.2]	13,350 [3.9]	13.00	15.50	76	1,600 [755]
	RCFN-H*4824(RGLE-10?BRM?)	51,500 [15.1]	38,100 [11.2]	13,400 [3.9]	13.00	16.00	76	1,600 [755]
	RCFN-H*4824(RGLE-12?ARM?)	51,500 [15.1]	38,100 [11.2]	13,400 [3.9]	13.00	16.00	76	1,600 [755]
	RCFN-H*4824(RGLT-07?BRQ?)	50,000 [14.6]	35,750 [10.5]	14,250 [4.2]	13.00	15.50	76	1,450 [684]
	RCFN-H*4824(RGLT-10?BRM?)	50,000 [14.6]	35,750 [10.5]	14,250 [4.2]	13.00	15.50	76	1,450 [684]
	RCFN-H*4824(RGLT-12?ARM?)	51,000 [14.9]	38,600 [11.3]	12,400 [3.6]	12.50	15.10	76	1,700 [802]
	RCFN-H*4824(RGPE-07?BRQ?)	51,500 [15.1]	38,150 [11.2]	13,350 [3.9]	13.00	15.50	76	1,600 [755]
	RCFN-H*4824(RGPE-10?BRM?)	51,500 [15.1]	37,750 [11.1]	13,750 [4.0]	13.00	16.00	76	1,550 [731]
	RCFN-H*4824(RGPE-12?ARM?)	51,000 [14.9]	37,050 [10.9]	13,950 [4.1]	13.00	16.00	76	1,525 [720]
	RCFN-H*4824(RGPT-07?BRQ?)	50,500 [14.8]	36,900 [10.8]	13,600 [4.0]	13.00	16.00	76	1,550 [731]
	RCFN-H*4824(RGPT-10?BRM?)	50,000 [14.6]	35,750 [10.5]	14,250 [4.2]	13.00	15.50	76	1,450 [684]
	RCFN-H*4824(RGPT-12?ARM?)	51,000 [14.9]	38,600 [11.3]	12,400 [3.6]	12.50	15.10	76	1,700 [802]
	RCFN-H*4824(RHWB-08WRX60A)	50,500 [14.8]	36,800 [10.8]	13,700 [4.0]	13.00	16.00	76	1,450 [684]
	RCFN-H*4824(RHWB-10WRX60A)	50,500 [14.8]	37,100 [10.9]	13,400 [3.9]	13.00	16.00	76	1,500 [708]
	RCFN-H*4824(ROLA-115E05)	50,000 [14.6]	36,900 [10.8]	13,100 [3.8]	12.50	15.10	76	1,600 [755]
	RCFN-H*4824+RXMD-C04	51,000 [14.9]	37,650 [11.0]	13,350 [3.9]	12.50	15.00	76	1,600 [755]
	RBHP-24(RCHL-48A1)	47,000 [13.8]	32,000 [9.4]	15,000 [4.4]	12.50	15.00	76	1,600 [755]
	RCQD-4821(RGFE-09?ZCM?)	47,000 [13.8]	31,500 [9.2]	15,500 [4.5]	12.00	14.00	76	1,400 [661]
	RCQD-4821(RGFG-09?ZCM?)	47,500 [13.9]	32,250 [9.4]	15,250 [4.5]	12.00	14.50	76	1,400 [661]
	RCQD-4821(RGFG-10?ZCM?)	47,500 [13.9]	32,250 [9.4]	15,250 [4.5]	12.00	14.50	76	1,400 [661]
	RCQD-4821(RGJF-09?ZCM?)	47,500 [13.9]	32,000 [9.4]	15,500 [4.5]	12.00	14.50	76	1,400 [661]
	RCQD-4821(RGJF-10?ZCM?)	47,000 [13.8]	31,500 [9.2]	15,500 [4.5]	12.00	14.00	76	1,400 [661]
	RCQD-4821(RGPE-07?BRQ?)	47,500 [13.9]	31,900 [9.3]	15,600 [4.6]	12.50	15.00	76	1,400 [661]
	RCQD-4821(RGPE-10?BRM?)	48,000 [14.1]	33,800 [9.9]	14,200 [4.2]	12.00	14.00	76	1,625 [767]
	RCQD-4821(RGPT-07?BRQ?)	48,500 [14.2]	33,850 [9.9]	14,650 [4.3]	12.50	15.10	76	1,550 [731]
	RCQD-4821(RGPT-10?BRM?)	47,500 [13.9]	32,050 [9.4]	15,450 [4.5]	12.50	15.10	76	1,425 [672]
	RCQD-4821(RGRM-09?ZAJ?)	48,000 [14.1]	35,100 [10.3]	12,900 [3.8]	12.00	14.50	76	1,400 [661]
	RCQD-4821(ROLA-070E04)	47,500 [13.9]	31,750 [9.3]	15,750 [4.6]	12.00	14.50	76	1,375 [649]
	RCQD-4821+RXMD-C04	47,500 [13.9]	33,750 [9.9]	13,750 [4.0]	11.50	14.00	76	1,600 [755]
	RCQD-4824(RGFE-09?ZCM?)	47,000 [13.8]	31,500 [9.2]	15,500 [4.5]	12.00	14.50	76	1,400 [661]
	RCQD-4824(RGFE-10?ZCM?)	47,500 [13.9]	32,200 [9.4]	15,300 [4.5]	12.00	14.50	76	1,425 [672]
	RCQD-4824(RGFE-12?RCM?)	47,500 [13.9]	32,250 [9.4]	15,250 [4.5]	12.00	14.50	76	1,450 [684]
	RCQD-4824(RGFG-09?ZCM?)	47,500 [13.9]	32,200 [9.4]	15,300 [4.5]	12.00	14.50	76	1,400 [661]
RCQD-4824(RGFG-10?ZCM?)	47,500 [13.9]	32,200 [9.4]	15,300 [4.5]	12.00	14.50	76	1,400 [661]	
RCQD-4824(RGFG-12?RCM?)	48,000 [14.1]	32,950 [9.7]	15,050 [4.4]	12.50	15.10	76	1,450 [684]	
RCQD-4824(RGJF-09?ZCM?)	47,500 [13.9]	31,950 [9.4]	15,550 [4.6]	12.00	14.50	76	1,400 [661]	
RCQD-4824(RGJF-10?ZCM?)	47,500 [13.9]	32,000 [9.4]	15,500 [4.5]	12.00	14.50	76	1,400 [661]	
RCQD-4824(RGJF-12?RCM?)	48,500 [14.2]	34,250 [10.0]	14,250 [4.2]	12.00	14.50	76	1,575 [743]	
RCQD-4824(RGPE-07?BRQ?)	48,500 [14.2]	34,250 [10.0]	14,250 [4.2]	12.00	14.50	76	1,600 [755]	

① Highest sales volume tested combination required by D.O.E. test procedures.

[] Designates Metric Conversions

Performance Data @ AHRI Standard Conditions—Cooling

Model Numbers		80°F [26.5°C] DB/67°F [19.5°C] WB Indoor Air 95°F [35°C] DB Outdoor Air					Sound Rating dB	Indoor CFM [L/s]	
Outdoor Unit RAPM-	Indoor Coil and/or Air Handler	Total Capacity BTU/H [kW]	Net Sensible BTU/H [kW]	Net Latent BTU/H [kW]	EER	SEER			
Rev. 6/14/12	RCQD-4824(RGPE-10?BRM?)	48,000 [14.1]	33,800 [9.9]	14,200 [4.2]	12.00	14.50	76	1,625 [767]	
	RCQD-4824(RGPE-12?ARM?)	48,500 [14.2]	34,250 [10.0]	14,250 [4.2]	12.00	14.50	76	1,625 [767]	
	RCQD-4824(RGPT-07?BRQ?)	48,500 [14.2]	33,800 [9.9]	14,700 [4.3]	12.50	15.10	76	1,550 [731]	
	RCQD-4824(RGPT-10?BRM?)	48,000 [14.1]	32,700 [9.6]	15,300 [4.5]	12.50	15.10	76	1,450 [684]	
	RCQD-4824(RGPT-12?ARM?)	48,000 [14.1]	32,300 [9.5]	15,700 [4.6]	12.50	15.10	76	1,400 [661]	
	RCQD-4824(RGRM-09?ZAJ?)	48,000 [14.1]	35,350 [10.4]	12,650 [3.7]	12.00	14.50	76	1,400 [661]	
	RCQD-4824(RGRM-12?RAJ?)	48,000 [14.1]	35,450 [10.4]	12,550 [3.7]	12.50	15.00	76	1,425 [672]	
	RCQD-4824(RHWP-08WRX60A)	48,000 [14.1]	32,600 [9.6]	15,400 [4.5]	13.00	16.00	76	1,375 [649]	
	RCQD-4824(RHWP-10WRX60A)	48,500 [14.2]	34,100 [10.0]	14,400 [4.2]	13.00	16.00	76	1,525 [720]	
	048JEZ	RCQD-4824(ROLA-070E04)	47,500 [13.9]	31,750 [9.3]	15,750 [4.6]	12.50	15.00	76	1,375 [649]
		RCQD-4824(ROLA-115E05)	47,500 [13.9]	31,900 [9.3]	15,600 [4.6]	12.50	15.00	76	1,400 [661]
		RCQD-4824+RXMD-C04	47,500 [13.9]	33,750 [9.9]	13,750 [4.0]	11.50	14.00	76	1,600 [755]
		RHKL-HM4821(RCSL-H*4821)	47,500 [13.9]	31,950 [9.4]	15,550 [4.6]	13.00	15.50	76	1,400 [661]
		RHLL-HM4821(RCSL-H*4821)	47,500 [13.9]	31,950 [9.4]	15,550 [4.6]	13.00	16.00	76	1,400 [661]
		RHSL-HM4821(RCSL-H*4821)	47,500 [13.9]	32,950 [9.7]	14,550 [4.3]	12.00	14.50	76	1,525 [720]
		RHSL-HM4824(RCSL-H*4821)	47,500 [13.9]	32,800 [9.6]	14,700 [4.3]	12.00	14.50	76	1,500 [708]
		RHKL-HM4824(RCSL-H*4824)	48,500 [14.2]	34,050 [10.0]	14,450 [4.2]	13.00	16.00	76	1,600 [755]
		RHLL-HM4824(RCSL-H*4824)	49,000 [14.4]	34,900 [10.2]	14,100 [4.1]	13.00	16.00	76	1,625 [767]
RHPN-HM4824(RCSN-H*4824)		52,000 [15.2]	38,400 [11.3]	13,600 [4.0]	13.00	16.00	76	1,600 [755]	
056JEZ		RCFL-H*6024+RXMD-C04 ①	52,500 [15.4]	37,300 [10.9]	15,200 [4.5]	12.00	14.50	76	1,525 [720]
		RCFL-A*6024(RGGE-12?RCM?)	53,000 [15.5]	38,100 [11.2]	14,900 [4.4]	12.50	14.50	76	1,575 [743]
	RCFL-A*6024(RGLE-07?BRQ?)	53,000 [15.5]	38,300 [11.2]	14,700 [4.3]	12.50	14.50	76	1,600 [755]	
	RCFL-A*6024(RGLE-10?BRM?)	53,500 [15.7]	38,750 [11.4]	14,750 [4.3]	12.50	15.10	76	1,600 [755]	
	RCFL-A*6024(RGLE-12?ARM?)	53,500 [15.7]	38,750 [11.4]	14,750 [4.3]	12.50	15.10	76	1,600 [755]	
	RCFL-A*6024(RGLT-12?ARM?)	53,500 [15.7]	39,500 [11.6]	14,000 [4.1]	12.00	14.50	76	1,700 [802]	
	RCFL-A*6024(RGPE-07?BRQ?)	53,000 [15.5]	38,300 [11.2]	14,700 [4.3]	12.50	14.50	76	1,600 [755]	
	RCFL-A*6024(RGPE-10?BRM?)	53,000 [15.5]	37,700 [11.0]	15,300 [4.5]	12.50	15.10	76	1,550 [731]	
	RCFL-A*6024(RGPE-12?ARM?)	53,500 [15.7]	38,950 [11.4]	14,550 [4.3]	12.50	15.10	76	1,625 [767]	
	RCFL-A*6024(RGPT-07?BRQ?)	53,000 [15.5]	37,600 [11.0]	15,400 [4.5]	13.00	15.50	76	1,550 [731]	
	RCFL-A*6024(RGPT-10?BRM?)	53,500 [15.7]	39,550 [11.6]	13,950 [4.1]	12.00	14.50	76	1,700 [802]	
	RCFL-A*6024(RGPT-12?ARM?)	53,500 [15.7]	39,550 [11.6]	13,950 [4.1]	12.00	14.50	76	1,700 [802]	
	RCFL-A*6024(RHWP-08WRX60A)	53,500 [15.7]	39,200 [11.5]	14,300 [4.2]	12.00	14.50	76	1,650 [779]	
	RCFL-A*6024(RHWP-10WRX60A)	53,000 [15.5]	37,800 [11.1]	15,200 [4.5]	12.00	14.50	76	1,500 [708]	
	RCFL-A*6024(ROLA-115E05)	52,500 [15.4]	37,250 [10.9]	15,250 [4.5]	12.00	14.50	76	1,500 [708]	
	RCFL-A*6024+RXMD-C04	52,500 [15.4]	37,300 [10.9]	15,200 [4.5]	12.00	14.50	76	1,525 [720]	
	RCFL-H*6024(RGGE-12?RCM?)	53,000 [15.5]	38,100 [11.2]	14,900 [4.4]	12.50	14.50	76	1,575 [743]	
	RCFL-H*6024(RGJF-12?RCM?)	53,000 [15.5]	38,100 [11.2]	14,900 [4.4]	12.50	14.50	76	1,575 [743]	
	RCFL-H*6024(RGLE-07?BRQ?)	53,000 [15.5]	38,300 [11.2]	14,700 [4.3]	12.50	14.50	76	1,600 [755]	
	RCFL-H*6024(RGLE-10?BRM?)	53,500 [15.7]	38,750 [11.4]	14,750 [4.3]	12.50	15.10	76	1,600 [755]	
	RCFL-H*6024(RGLE-12?ARM?)	53,500 [15.7]	38,750 [11.4]	14,750 [4.3]	12.50	15.10	76	1,600 [755]	
	RCFL-H*6024(RGLT-12?ARM?)	53,500 [15.7]	39,500 [11.6]	14,000 [4.1]	12.00	14.50	76	1,700 [802]	
	RCFL-H*6024(RGPE-07?BRQ?)	53,000 [15.5]	38,300 [11.2]	14,700 [4.3]	12.50	14.50	76	1,600 [755]	
	RCFL-H*6024(RGPE-10?BRM?)	53,000 [15.5]	37,700 [11.0]	15,300 [4.5]	12.50	15.10	76	1,550 [731]	
	RCFL-H*6024(RGPE-12?ARM?)	53,500 [15.7]	38,950 [11.4]	14,550 [4.3]	12.50	15.10	76	1,625 [767]	
	RCFL-H*6024(RGPT-07?BRQ?)	53,000 [15.5]	37,600 [11.0]	15,400 [4.5]	13.00	15.50	76	1,550 [731]	
	RCFL-H*6024(RGPT-10?BRM?)	53,500 [15.7]	39,550 [11.6]	13,950 [4.1]	12.00	14.50	76	1,700 [802]	
	RCFL-H*6024(RGPT-12?ARM?)	53,500 [15.7]	39,550 [11.6]	13,950 [4.1]	12.00	14.50	76	1,700 [802]	
	RCFL-H*6024(RHWP-08WRX60A)	53,500 [15.7]	39,200 [11.5]	14,300 [4.2]	12.00	14.50	76	1,650 [779]	

① Highest sales volume tested combination required by D.O.E. test procedures.

[] Designates Metric Conversions

Performance Data @ AHRI Standard Conditions—Cooling

Model Numbers		80°F [26.5°C] DB/67°F [19.5°C] WB Indoor Air 95°F [35°C] DB Outdoor Air					Sound Rating dB	Indoor CFM [L/s]	
Outdoor Unit RAPM-	Indoor Coil and/or Air Handler	Total Capacity BTU/H [kW]	Net Sensible BTU/H [kW]	Net Latent BTU/H [kW]	EER	SEER			
Rev. 6/14/12	RCFL-H*6024(RHWB-10WRX60A)	53,000 [15.5]	37,800 [11.1]	15,200 [4.5]	12.00	14.50	76	1,500 [708]	
	RCFL-H*6024(ROLA-115E05)	52,500 [15.4]	37,250 [10.9]	15,250 [4.5]	12.00	14.50	76	1,500 [708]	
	056JEZ	RBHP-25(RCHL-60A1)	49,500 [14.5]	33,850 [9.9]	15,650 [4.6]	11.50	14.00	76	1,800 [849]
		RCQD-6024(RGFE-09?ZCM?)	49,000 [14.4]	32,500 [9.5]	16,500 [4.8]	11.50	14.00	76	1,400 [661]
		RCQD-6024(RGFE-10?ZCM?)	49,000 [14.4]	32,700 [9.6]	16,300 [4.8]	11.00	13.50	76	1,425 [672]
		RCQD-6024(RGFE-12?RCM?)	49,500 [14.5]	34,400 [10.1]	15,100 [4.4]	11.00	13.50	76	1,625 [767]
		RCQD-6024(RGFG-09?ZCM?)	48,500 [14.2]	32,650 [9.6]	15,850 [4.6]	11.00	13.50	76	1,400 [661]
		RCQD-6024(RGFG-10?ZCM?)	48,500 [14.2]	32,650 [9.6]	15,850 [4.6]	11.00	13.50	76	1,400 [661]
		RCQD-6024(RGFG-12?RCM?)	49,000 [14.4]	33,400 [9.8]	15,600 [4.6]	11.50	14.00	76	1,450 [684]
		RCQD-6024(RGJF-09?ZCM?)	49,000 [14.4]	32,450 [9.5]	16,550 [4.8]	11.50	14.00	76	1,400 [661]
		RCQD-6024(RGJF-10?ZCM?)	49,000 [14.4]	32,500 [9.5]	16,500 [4.8]	11.50	14.00	76	1,400 [661]
		RCQD-6024(RGJF-12?RCM?)	50,000 [14.6]	34,800 [10.2]	15,200 [4.5]	11.50	14.00	76	1,575 [743]
		RCQD-6024(RGPE-07?BRQ?)	50,000 [14.6]	34,800 [10.2]	15,200 [4.5]	11.50	14.00	76	1,600 [755]
		RCQD-6024(RGPE-10?BRM?)	50,000 [14.6]	34,800 [10.2]	15,200 [4.5]	11.50	14.00	76	1,625 [767]
		RCQD-6024(RGPE-12?ARM?)	50,000 [14.6]	34,750 [10.2]	15,250 [4.5]	11.50	14.00	76	1,625 [767]
		RCQD-6024(RGPT-07?BRQ?)	50,000 [14.6]	34,350 [10.1]	15,650 [4.6]	12.00	14.50	76	1,550 [731]
		RCQD-6024(RGPT-10?BRM?)	49,500 [14.5]	33,200 [9.7]	16,300 [4.8]	12.00	14.50	76	1,450 [684]
		RCQD-6024(RGPT-12?ARM?)	49,500 [14.5]	32,800 [9.6]	16,700 [4.9]	12.00	14.50	76	1,400 [661]
		RCQD-6024(RGRM-12?RAJ?)	49,500 [14.5]	34,050 [10.0]	15,450 [4.5]	11.00	13.50	76	1,550 [731]
		RCQD-6024(ROCA-070E04)	48,500 [14.2]	32,050 [9.4]	16,450 [4.8]	11.50	13.50	76	1,400 [661]
RCQD-6024(ROLA-115E05)		49,000 [14.4]	32,400 [9.5]	16,600 [4.9]	11.50	14.00	76	1,400 [661]	
RCQD-6024+RXMD-C04		49,000 [14.4]	34,050 [10.0]	14,950 [4.4]	11.00	13.50	76	1,600 [755]	
RHKL-HM6024(RCSL-H*6024)	54,000 [15.8]	39,100 [11.5]	14,900 [4.4]	13.00	16.00	76	1,600 [755]		
RHLL-HM6024(RCSL-H*6024)	54,000 [15.8]	38,670 [11.3]	15,330 [4.5]	13.00	16.00	76	1,550 [731]		
060JEZ	RCFL-H*6024+RXMD-C04 ①	60,500 [17.7]	41,500 [12.2]	19,000 [5.6]	12.00	14.50	76	1,600 [755]	
	RCFL-A*6024(RGLT-10?BRM?)	61,000 [17.9]	43,000 [12.6]	18,000 [5.3]	12.00	14.50	76	1,700 [802]	
	RCFL-A*6024(RGLT-12?ARM?)	61,000 [17.9]	43,000 [12.6]	18,000 [5.3]	12.00	14.50	76	1,700 [802]	
	RCFL-A*6024(RGPT-07?BRQ?)	61,000 [17.9]	43,000 [12.6]	18,000 [5.3]	12.00	14.50	76	1,700 [802]	
	RCFL-A*6024(RGPT-10?BRM?)	61,000 [17.9]	43,000 [12.6]	18,000 [5.3]	12.00	14.50	76	1,700 [802]	
	RCFL-A*6024(RGPT-12?ARM?)	61,000 [17.9]	43,000 [12.6]	18,000 [5.3]	12.00	14.50	76	1,700 [802]	
	RCFL-A*6024(RGTM-10?RBJ?)	61,000 [17.9]	42,800 [12.5]	18,200 [5.3]	12.00	14.50	76	1,675 [790]	
	RCFL-A*6024+RXMD-C04	60,500 [17.7]	41,500 [12.2]	19,000 [5.6]	12.00	14.50	76	1,600 [755]	
	RCFL-H*6024(RGLT-10?BRM?)	61,000 [17.9]	43,000 [12.6]	18,000 [5.3]	12.00	14.50	76	1,700 [802]	
	RCFL-H*6024(RGLT-12?ARM?)	61,000 [17.9]	43,000 [12.6]	18,000 [5.3]	12.00	14.50	76	1,700 [802]	
	RCFL-H*6024(RGPT-07?BRQ?)	61,000 [17.9]	43,000 [12.6]	18,000 [5.3]	12.00	14.50	76	1,700 [802]	
	RCFL-H*6024(RGPT-10?BRM?)	61,000 [17.9]	43,000 [12.6]	18,000 [5.3]	12.00	14.50	76	1,700 [802]	
	RCFL-H*6024(RGPT-12?ARM?)	61,000 [17.9]	43,000 [12.6]	18,000 [5.3]	12.00	14.50	76	1,700 [802]	
	RCFL-H*6024(RGTM-10?RBJ?)	61,000 [17.9]	42,800 [12.5]	18,200 [5.3]	12.00	14.50	76	1,675 [790]	
	RBHP-25(RCHL-60A1)	54,000 [15.8]	35,850 [10.5]	18,150 [5.3]	11.50	13.50	76	1,800 [849]	
	RBHM-26J(RCQD-6024)	60,000 [17.6]	42,500 [12.5]	17,500 [5.1]	12.50	15.00	76	1,700 [802]	
	RCQD-6024(RGPE-10?BRM?)	59,000 [17.3]	40,500 [11.9]	18,500 [5.4]	11.50	14.00	76	1,625 [767]	
	RCQD-6024(RGPE-12?ARM?)	59,000 [17.3]	40,500 [11.9]	18,500 [5.4]	11.50	14.00	76	1,625 [767]	
	RCQD-6024(RGPT-07?BRQ?)	59,500 [17.4]	42,000 [12.3]	17,500 [5.1]	11.50	14.00	76	1,725 [814]	
	RCQD-6024(RGPT-10?BRM?)	59,500 [17.4]	42,000 [12.3]	17,500 [5.1]	11.50	14.00	76	1,725 [814]	
	RCQD-6024(RGPT-12?ARM?)	59,500 [17.4]	42,000 [12.3]	17,500 [5.1]	11.50	14.00	76	1,725 [814]	
	RCQD-6024(RGTM-10?RBJ?)	59,000 [17.3]	41,500 [12.2]	17,500 [5.1]	11.50	14.00	76	1,675 [790]	
	RCQD-6024+RXMD-C04	58,500 [17.1]	40,000 [11.7]	18,500 [5.4]	11.50	13.50	76	1,600 [755]	
	RHKL-HM6024(RCSL-H*6024)	62,000 [18.2]	45,000 [13.2]	17,000 [5.0]	12.50	15.00	76	1,800 [849]	
	RHLL-HM6024(RCSL-H*6024)	62,000 [18.2]	45,000 [13.2]	17,000 [5.0]	12.50	15.00	76	1,800 [849]	
	RHSL-HM6024(RCSL-H*6024)	60,500 [17.7]	43,500 [12.7]	17,000 [5.0]	11.50	13.50	76	1,800 [849]	

① Highest sales volume tested combination required by D.O.E. test procedures.

[] Designates Metric Conversions





Electrical and Physical Data

Model Number RAPM-	ELECTRICAL							PHYSICAL										
	Phase Frequency (Hz) Voltage (Volts)	Compressor		Fan Motor Full Load Amperes (FLA)	Minimum Circuit Ampacity Amperes	Fuse or HACR Circuit Breaker		Outdoor Coil			Refrig. Per Circuit Oz. [g]	Weight						
		Rated Load Amperes (RLA)	Locked Rotor Amperes (LRA)			Minimum Amperes	Maximum Amperes	Face Area Sq. Ft. [m ²]	No. Rows	CFM [L/s]		Net Lbs. [kg]	Shipping Lbs. [kg]					
Rev. 6/14/2012																		
018JEZ	1-60-208/230	9/9	48	1.9	14/14	20/20	20/20	11	[1.02]	1	1955	[923]	82	[2325]	145.5	[66]	160.5	[66]
024JEZ	1-60-208/230	13.5/13.5	58.3	1.1	18/18	25/25	30/30	20	[1.86]	1	3295	[1555]	128	[3629]	199.5	[90.5]	214.5	[90.5]
030JEZ	1-60-208/230	12.8/12.8	64	1.9	18/18	25/25	30/30	20	[1.86]	1	3645	[1720]	129	[3657]	201	[91.2]	214	[91.2]
036JEZ	1-60-208/230	16/16	79	1.9	22/22	30/30	35/35	23.01	[2.14]	1	3680	[1737]	146	[4139]	205	[93]	227	[93]
042JEZ	1-60-208/230	17.9/17.9	112	2.8	26/26	30/30	40/40	23.01	[2.14]	1	3925	[1852]	152	[4309]	234	[106.1]	256	[106.1]
048JEZ	1-60-208/230	21.8/21.8	117	2.8	31/31	40/40	50/50	23.01	[2.14]	2	3685	[1739]	203	[5755]	273	[123.8]	298	[123.8]
056JEZ	1-60-208/230	21.4/21.4	135	2.8	30/30	35/35	50/50	23	[2.14]	2	3685	[1739]	255	[7229]	281.5	[127.7]	306.5	[127.7]
060JEZ	1-60-208/230	26.4/26.4	134	2.8	36/36	45/45	60/60	23	[2.14]	2	4350	[2053]	262	[7428]	281.5	[127.7]	306.5	[127.7]

NOTE: Factory Refrigerant Charge includes refrigerant for 15 feet of standard line set.

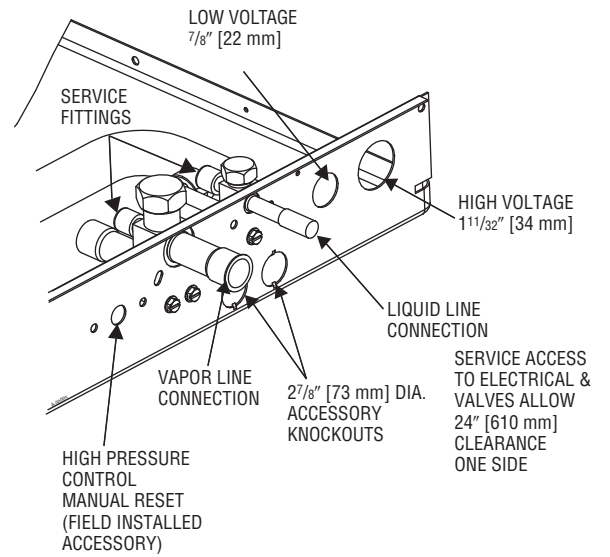
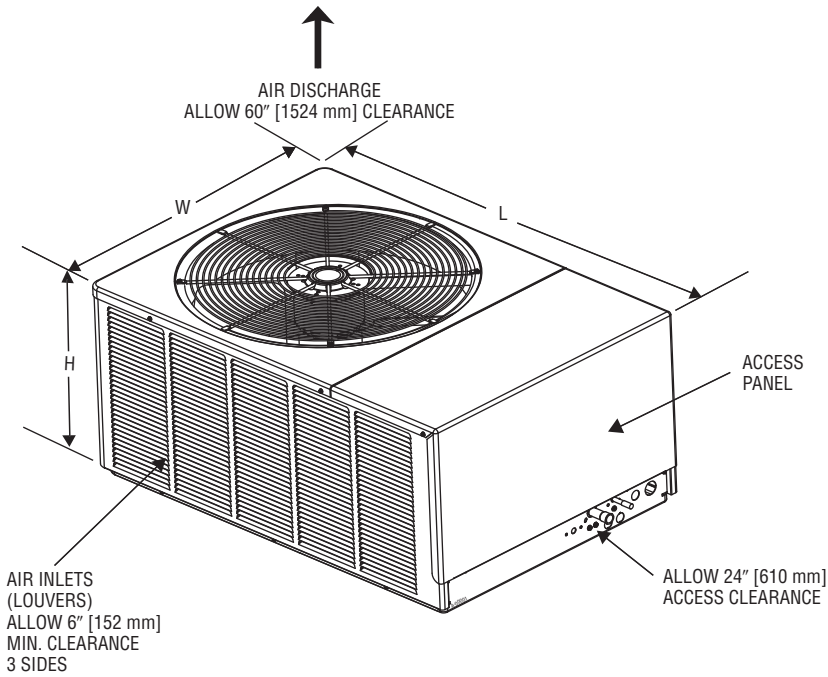
[] Designates Metric Conversions



Unit Dimensions

Model Number RAPM-	Height "H" (Inches) [mm]	Length "L" (Inches) [mm]	Width "W" (Inches) [mm]
018JEZ	19 [483]	40 ¹ / ₂ [1029]	27 ⁵ / ₈ [702]
024JEZ/030JEZ	29 [737]	44 ³ / ₈ [1127]	31 ¹ / ₂ [800]
036JEZ/042JEZ/ 048JEZ/056JEZ/060JEZ	33 [838]	44 ³ / ₈ [1127]	31 ¹ / ₂ [800]

[] Designates Metric Conversions



Condensing Unit Refrigerant Line Size Information

Liquid Line Sizing (R-410A)														
System Capacity	Line Size Connection (Inch I.D.)	Line Size (Inch O.D.) [mm]	Liquid Line Size – Outdoor Unit Above Indoor Coil (Cooling Only – Does not apply to Heat Pumps)						Liquid Line Size – Outdoor Unit Below Indoor Coil					
			Total Equivalent Length—Feet [m]						Total Equivalent Length—Feet [m]					
			25 [7.62]	50 [15.24]	75 [22.86]	100 [30.48]	125 [38.10]	150 [45.72]	25 [7.62]	50 [15.24]	75 [22.86]	100 [30.48]	125 [38.10]	150 [45.72]
			Minimum Vertical Separation—Feet [m]						Maximum Vertical Separation—Feet [m]					
1 1/2 Ton	3/8"	1/4 [6.35]	0	0	0	0	8 [2.44]	24 [7.32]	25 [7.62]	40 [12.19]	25 [7.62]	9 [2.74]	N/A	N/A
		5/16 [7.94]	0	0	0	0	0	0	25 [7.62]	50 [15.24]	62 [18.90]	58 [17.68]	53 [16.15]	49 [14.94]
		3/8* [9.53]	0	0	0	0	0	0	25 [7.62]	50 [15.24]	75 [22.86]	72 [21.95]	70 [21.34]	68 [20.73]
2 Ton	3/8"	1/4 [6.35]	0	3 [0.91]	29 [8.84]	55 [16.76]	81 [24.69]	108 [32.92]	23 [7.01]	N/A	N/A	N/A	N/A	N/A
		5/16 [7.94]	0	0	0	0	0	0	25 [7.62]	36 [10.97]	29 [8.84]	23 [7.01]	16 [4.88]	9 [2.74]
		3/8* [9.53]	0	0	0	0	0	0	25 [7.62]	50 [15.24]	72 [21.95]	70 [21.34]	68 [20.73]	65 [19.81]
2 1/2 Ton	3/8"	1/4 [6.35]	0	14 [4.27]	56 [17.07]	98 [29.87]	N/A	N/A	25 [7.62]	N/A	N/A	N/A	N/A	N/A
		5/16 [7.94]	0	0	0	0	0	0	25 [7.62]	49 [14.94]	38 [11.58]	27 [8.23]	17 [5.18]	6 [1.83]
		3/8* [9.53]	0	0	0	0	0	0	25 [7.62]	50 [15.24]	68 [20.73]	65 [19.81]	62 [18.90]	58 [17.68]
3 Ton	3/8"	5/16 [7.94]	0	0	0	0	0	9 [2.74]	25 [7.62]	50 [15.24]	37 [11.28]	22 [6.71]	7 [2.13]	N/A
		3/8* [9.53]	0	0	0	0	0	0	25 [7.62]	50 [15.24]	68 [20.73]	63 [19.20]	58 [17.68]	53 [16.15]
3 1/2 Ton	3/8"	5/16 [7.94]	0	0	0	16 [4.88]	35 [10.67]	54 [16.46]	25 [7.62]	23 [7.01]	4 [1.22]	N/A	N/A	N/A
		3/8* [9.53]	0	0	0	0	0	0	25 [7.62]	50 [15.24]	43 [13.11]	36 [10.97]	30 [9.14]	24 [7.32]
4 Ton	3/8"	3/8* [9.53]	0	0	0	0	0	0	25 [7.62]	46 [14.02]	38 [11.58]	30 [9.14]	22 [6.71]	15 [4.57]
		1/2 [12.57]	0	0	0	0	0	0	25 [7.62]	50 [15.24]	56 [17.07]	55 [16.76]	53 [16.15]	52 [15.85]
5 Ton	3/8"	3/8* [9.53]	0	0	0	0	0	0	25 [7.62]	50 [15.24]	56 [17.07]	44 [13.41]	32 [9.75]	20 [6.10]
		1/2 [12.57]	0	0	0	0	0	0	25 [7.62]	50 [15.24]	75 [22.86]	81 [24.69]	79 [24.08]	76 [23.16]

NOTES: *Standard line size
 N/A = Application not recommended.

Suction Line Length/Size versus Capacity Multiplier (R-410A)										
Unit Size		1 1/2 Ton	2 Ton	2 1/2 Ton	3 Ton	3 1/2 Ton	4 Ton	5 Ton		
Suction Line Connection Size		3/4" [19.05 mm] I.D.				7/8" [22.23 mm] I.D.				
Suction Line Run—Feet [m]		5/8" [15.88 mm] O.D. Opt. 3/4" [19.05 mm] O.D. Std.*		5/8" [15.88 mm] O.D. Opt. 3/4" [19.05 mm] O.D. Std.* 7/8" [22.23 mm] O.D. Opt.		3/4" [19.05 mm] O.D. Opt. 7/8" [22.23 mm] O.D. Std.*		7/8" [22.23 mm] O.D. Opt. 1 1/8" [28.58 mm] O.D. Std.*		
25' [7.62]	Optional	1.00	1.00	1.00	1.00	1.00	1.00	1.00	1.00	
	Standard	1.00	1.00	1.00	1.00	1.00	1.00	1.00	1.00	
	Optional	N/A	N/A	1.00	N/A	N/A	N/A	N/A	N/A	
50' [15.24]	Optional	.98	.98	.96	.98	.99	.99	.99	.99	
	Standard	.99	.99	.98	.99	.99	.99	.99	.99	
	Optional	N/A	N/A	.99	N/A	N/A	N/A	N/A	N/A	
100' [30.48]	Optional	.95	.95	.94	.96	.96	.96	.97	.97	
	Standard	.96	.96	.96	.97	.98	.98	.98	.98	
	Optional	N/A	N/A	.97	N/A	N/A	N/A	N/A	N/A	
150' [45.72]	Optional	.92	.92	.91	.94	.94	.95	.95	.94	
	Standard	.93	.94	.93	.95	.96	.96	.96	.97	
	Optional	N/A	N/A	.95	N/A	N/A	N/A	N/A	N/A	

NOTES: *Standard line size
 Using suction line larger than shown in chart will result in poor oil return and is not recommended.

[] Designates Metric Conversions

GENERAL TERMS OF LIMITED WARRANTY*

Rheem will furnish a replacement for any part of this product which fails in normal use and service within the applicable period stated, in accordance with the terms of the limited warranty.

***For complete details of the Limited and Conditional Warranties, including applicable terms and conditions, contact your local contractor or the Manufacturer for a copy of the product warranty certificate.**

Conditional Compressor
(Registration Required)Ten (10) Years
PartsTen (10) Years



The new degree of comfort.™

In keeping with its policy of continuous progress and product improvement, Rheem reserves the right to make changes without notice.

Rheem Heating, Cooling & Water Heating • P.O. Box 17010
Fort Smith, Arkansas 72917 • www.rheem.com

Rheem Canada Ltd./Ltée • 125 Edgeware Road, Unit 1
Brampton, Ontario • L6Y 0P5



INTEGRATED HOME COMFORT

PRINTED IN U.S.A 06/12 QG FORM NO. A11-214