



The new degree of comfort.™

## Rheem *Prestige Series*™ Heat Pumps equipped with the *Comfort Control System*™

### RPQL- JEZ Series

Efficiencies up to 15.5 SEER/13.0 EER/9.5 HSPF  
Nominal Sizes 1.5 to 5 Ton [5.28 to 17.6 kW]



*"Proper sizing and installation of equipment is critical to achieve optimal performance. Ask your Contractor for details or visit [www.energystar.gov](http://www.energystar.gov)."*

- The *Comfort Control System*™ provides on-board diagnostics and fault history for heat pumps with single-phase compressors by detecting system and electrical problems without adding sensors. It can also communicate "fault codes" to enabled "L terminal" thermostats. The integrated diagnostics with *Active Protection* prevents compressor operation when potentially harmful conditions are detected.
- 7-Segment LED Display is exclusive only to Rheem products. The information-display quickly and accurately shows technicians the source of malfunctions.
- Features a five-year conditional unit replacement warranty when properly installed with a new Rheem Air Handler OR Rheem Indoor Coil with a Rheem Gas Furnace.
- Compressor sound blanket is standard to provide quiet operation.
- Attractive, louvered wrap around jacket protects coil from weather extremes and yard hazards. Top grille is steel reinforced for extra strength. Cabinet is powder painted for all weather protection.
- Four sided outdoor coil design allows compressor operation with access panel removed.
- Air is discharged upward away from bushes and shrubs. The discharge pattern of the top grille provides minimum air restriction, resulting in quiet fan operation.
- Combination Grille/Motor Mount secures the fan motor to the underside of the discharge grille.
- Removable top grille provides access to the outdoor fan motor and outdoor coil.
- Compressor compartment offers additional protection from the elements and reduces operating noise.
- Single speed, 8-pole fan motor is designed for quieter, energy-saving operation.
- Non-cycling reversing valve and demand defrost.
- All models meet or exceed a 1000-hour salt spray test per ASTM B117 Standard Practice for Operating Salt Spray Testing Apparatus.

## TABLE OF CONTENTS

Model Features .....	3
Model Number Identification .....	4
Accessories.....	4
Scroll Compressor .....	4
Performance Data .....	5-26
Electrical & Physical Data .....	27
Unit Dimensions.....	28
Refrigerant Line Size Information .....	29
Limited Warranty .....	30

## The Comfort Control System™ Features:

- The Rheem exclusive 7-Segment LED Display easily shows system operating status codes and diagnostic codes.

- A Sealed Switch replaces the standard



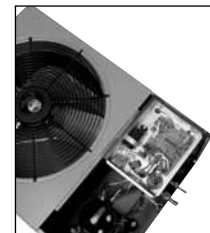
contactor and features optical control and latching mechanism. The sealed switch prevents infiltration of insects and dust. A minimal switching arc, by the optical control, offers greater reliability. The latching mechanism consumes less power while reducing chatter.



- The Status Indication and System Diagnostics feature thermostat communication capability, built-in diagnostics, high & low voltage monitoring and high & low pressure switch monitoring. The thermostat communication capability alerts the homeowner to any necessary service requirements. Faster, more accurate service is provided by the built-in diagnostics, by providing the HVAC professional with dependable information. With the high and low voltage monitoring feature, the control provides alerts for out-of-range conditions. In addition, high and low pressure-switch monitoring prevents the system from operating outside of its normal parameters.



- The fault recall feature will allow for the last six fault-codes to be displayed, and will retain these codes even if power failure occurs.
- Built-in short-cycle protection allows the compressor to restart easily without oil removal.
- A 30-second minimum run-time for every compressor call enables oil to return to the compressor.
- **Active Protection** monitors the system to prevent nuisance lockouts and prevents compressor operation when potentially harmful conditions are detected.
- The compressor and fan are controlled independently, which reduces the starting load and light dimming.
- A manual push-button is offered to operate the compressor and fan for 5 seconds to allow for an operation check.
- In order to save time and money, replacement automotive fuses can be utilized instead of replacing the entire control board.

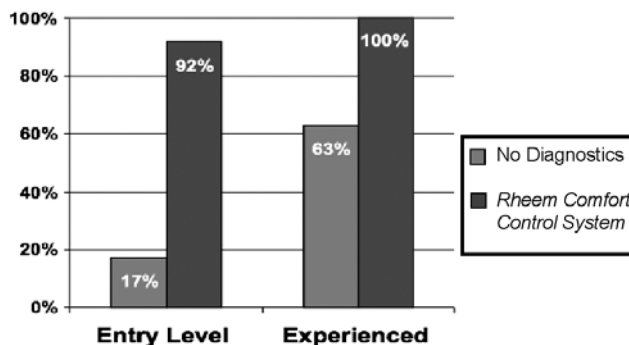


## Standard Features

### RPQL- JEZ Heat Pump Outdoor Units

1. Scroll compressor is hermetically sealed and incorporates internal high temperature motor overload protection, and durable insulation on the motor windings. It is externally mounted on rubber grommets to reduce vibration and noise.
2. **Enhanced Compressor Protection**—Features an **enhanced defrost control, auto-reset high pressure control, and auto-reset low pressure control** to provide compressor protection under abnormally high head pressure conditions (outdoor fan failure, restriction, dirty coil, etc.) or abnormally low suction pressure conditions (restrictions, TEV failure, loss of charge, indoor blower failure, etc.) while eliminating nuisance tripping sometimes experienced with conventional control systems.
3. Compressors have an internal pressure relief assembly to protect against excessive pressure differential.
4. All refrigerant connections are on the exterior of the unit, located close to the ground for neat appearing installations.
5. Cabinet is constructed of powder painted galvanized steel. The full wrap-around louvered grille protects the coil from damage.
6. Enhanced compressor sound blanket is standard.
7. **Demand Defrost Control**—Provides complete defrost when defrost is required.
8. **Non-Cycling Reversing Valve**—Eliminates discharge noises on each heating cycle.
9. **Hot Gas Muffler**—Reduces noise in heating cycle.
10. **Bi-Directional Filter Drier**—Standard on RPQL- JEZ models (shipped – not installed).
11. **Service valves** are standard on all models.
12. **Refrigerant Metering**—TEV accurately meters refrigerant into indoor and outdoor coils.
13. Copper tube—aluminum fin coils are used on all models.
14. The control box is located in the top corner of the cabinet providing for easy access through a service panel.
15. Service valves are standard on all models.
16. Field connections for power and control wiring are kept separate.
17. Every unit is factory charged and run-tested.
18. Separate compressor compartment for easy service access.
19. Drawn, painted basepan for extra corrosion resistance and sound reduction.
20. The **RPQL- JEZ** has a 10 year limited compressor warranty, plus a 5 year conditional unit replacement warranty. See General Terms of Limited Warranty for more details.
21. **Hard Start Kits**—Standard on all JEZ models.
22. Control Box Cover.

## Problem-Solving Accuracy



## Scroll® Compressor

The scroll compressor is the key to efficiency for this Rheem model. It's the latest in high-efficiency compressor technology. The advanced scroll compressor offers low noise and vibration characteristics and features tolerance to liquid refrigerant and system contamination. The scroll compressor also has low start torque, eliminating start problems in the field. And its unique design enables the RPQL- JEZ Heat Pump to perform efficiently, quietly and dependably.



## Model Number Identification

<b>R</b>	<b>P</b>	<b>Q</b>	<b>L</b>	<b>—</b>	<b>018</b>	<b>J</b>	<b>E</b>	<b>Z</b>
RHEEM	REMOTE HEAT PUMP	Q = 15 SEER	DESIGN SERIES L = R-410A		<u>COOLING CAPACITY</u>	<u>ELECTRICAL DESIGNATION</u>	<u>VARIATIONS</u>	<u>COOLING CONNECTION FITTING</u>
					018 = 18,000 BTU/HR [5.28 kW] 024 = 24,000 BTU/HR [7.03 kW] 030 = 30,000 BTU/HR [8.79 kW] 036/037 = 36,000 BTU/HR [10.55 kW] 043 = 42,000 BTU/HR [12.31 kW] 048/049 = 48,000 BTU/HR [14.07 kW] 056 = 56,000 BTU/HR [16.41 kW] 060 = 60,000 BTU/HR [17.58 kW]	J = 208/230V-1-60	E = EQUIPPED WITH THE <i>COMFORT</i> <i>CONTROL SYSTEM™</i>	Z = SWEAT W/SCROLL

[ ] Designates Metric Conversions

## Accessories

- Low Ambient Control (RXAD-A08)
- Crankcase Heater
- Blower Time Delay Control—RXMD-C04.
- Fossil Fuel Kits—RXPF-01  
RXPF-02

## Thermostats



**200-Series \***  
Programmable



**300-Series \***  
Deluxe  
Programmable

**400-Series \***  
Special Applications/  
Programmable



**500-Series \***  
Communicating/  
Programmable

Brand	Descriptor (3 Characters)	Series (3 Characters)	System (2 Characters)	Type (2 Characters)
<b>RHC</b>	<b>-</b>	<b>TST</b>	<b>213</b>	<b>UN</b>
RHC=Rheem	TST=Thermostat	200=Programmable 300=Deluxe Programmable 400=Special Applications/ Programmable 500=Communicating/ Programmable	GE=Gas/Electric UN=Universal (AC/HP/GE) MD=Modulating Furnace DF=Dual Fuel CM=Communicating	SS=Single-Stage MS=Multi-Stage

\* Photos are representative. Actual models may vary.

For detailed thermostat match-up information,  
see specification sheet form number T11-001.



**Performance Data @ AHRI Standard Conditions—Cooling**

Model Numbers		AHRI Cooling Performance							AHRI Heating Performance (70°F [21°C] Indoor)				
		80°F [26.5°C] DB/67°F [19.5°C] WB Indoor Air 95°F [35°C] DB Outdoor Air							Outdoor Air 47°F [8.5°C] DB/ 43°F [6°C] WB DOE High Temp.		Outdoor Air 17°F [-8.5°C] DB/ 15°F [-9.5°C] WB DOE Low Temp.		DOE Region IV HSPF
Outdoor Unit RPQL-	Indoor Coil and/or Air Handler	Total Capacity BTU/H [kW]	Net Sens. BTU/H [kW]	Net Latent BTU/H [kW]	EER	SEER	Snd. Rate dB	Indoor CFM [L/s]	BTU/H [kW]	COP	BTU/H [kW]	COP	
Rev. 1/7/2013	RHLL-HM2417(RCSL-H*2417) ①	18,700 [5.5]	14,400 [4.2]	4,300 [1.3]	13.00	15.50	70	650 [307]	17,200 [5.0]	3.96	10,500 [3.1]	2.54	9.00
	RCFL-H*2417	18,200 [5.3]	13,900 [4.1]	4,300 [1.3]	11.00	13.50	70	650 [307]	16,600 [4.9]	4.10	9,900 [2.9]	2.58	8.50
018JEZ	RCFL-H*2417(RGFE-06(E,N)MCKS)	18,300 [5.4]	13,800 [4.0]	4,500 [1.3]	12.50	15.00	70	575 [271]	16,600 [4.9]	3.86	9,900 [2.9]	2.44	9.00
	RCFL-H*2417(RGFE-07(E,N)MCKS)	18,500 [5.4]	14,100 [4.1]	4,400 [1.3]	12.50	15.00	70	600 [283]	16,600 [4.9]	3.86	9,900 [2.9]	2.44	9.00
	RCFL-H*2417(RGFG-06EMCKS)	18,300 [5.4]	13,800 [4.0]	4,500 [1.3]	12.50	15.00	70	575 [271]	16,600 [4.9]	3.86	9,900 [2.9]	2.44	9.00
	RCFL-H*2417(RGFG-07EMCKS)	18,400 [5.4]	14,000 [4.1]	4,400 [1.3]	12.50	15.00	70	600 [283]	16,700 [4.9]	3.86	9,900 [2.9]	2.44	9.00
	RCFL-H*2417(RGGE-06(E,N)MCKS)	18,700 [5.5]	14,400 [4.2]	4,300 [1.3]	13.00	15.50	70	625 [295]	16,600 [4.9]	3.88	9,900 [2.9]	2.44	9.00
	RCFL-H*2417(RGGE-07(E,N)MCKS)	18,300 [5.4]	13,800 [4.0]	4,500 [1.3]	12.50	15.00	70	575 [271]	16,600 [4.9]	3.88	9,900 [2.9]	2.44	9.00
	RCFL-H*2417(RGJF-06(E,N)MCKS)	18,700 [5.5]	14,400 [4.2]	4,300 [1.3]	13.00	15.50	70	625 [295]	16,600 [4.9]	3.88	9,900 [2.9]	2.44	9.00
	RCFL-H*2417(RGJF-07(E,N)MCKS)	18,300 [5.4]	13,800 [4.0]	4,500 [1.3]	12.50	15.00	70	575 [271]	16,600 [4.9]	3.88	9,900 [2.9]	2.44	9.00
	RCFL-H*2417(RGLE-07(E,N)AMKR)	18,500 [5.4]	14,100 [4.1]	4,400 [1.3]	13.00	15.50	70	600 [283]	16,600 [4.9]	3.90	9,900 [2.9]	2.46	9.00
	RCFL-H*2417(RGLT-07(E,N)AMKR)	18,700 [5.5]	14,400 [4.2]	4,300 [1.3]	13.00	15.50	70	675 [319]	16,700 [4.9]	3.86	9,900 [2.9]	2.44	9.00
	RCFL-H*2417(RGLT-07?AMK?)	18,700 [5.5]	14,400 [4.2]	4,300 [1.3]	13.00	15.50	70	675 [319]	16,700 [4.9]	3.86	9,900 [2.9]	2.44	9.00
	RCFL-H*2417(RGPE-05(E,N)BMKR)	18,300 [5.4]	13,800 [4.0]	4,500 [1.3]	12.50	15.00	70	575 [271]	16,600 [4.9]	3.88	9,900 [2.9]	2.44	9.00
	RCFL-H*2417(RGPE-07(E,N)AMKR)	18,700 [5.5]	14,400 [4.2]	4,300 [1.3]	13.00	15.50	70	625 [295]	16,600 [4.9]	3.88	9,900 [2.9]	2.44	9.00
	RCFL-H*2417(RGPT-05(E,N)BMKR)	18,700 [5.5]	14,400 [4.2]	4,300 [1.3]	12.50	15.00	70	650 [307]	16,700 [4.9]	3.84	10,000 [2.9]	2.42	9.00
	RCFL-H*2417(RGPT-05?BMK?)	18,700 [5.5]	14,400 [4.2]	4,300 [1.3]	12.50	15.00	70	650 [307]	16,700 [4.9]	3.84	10,000 [2.9]	2.42	9.00
	RCFL-H*2417(RGPT-07(E,N)AMKR)	18,700 [5.5]	14,400 [4.2]	4,300 [1.3]	13.00	15.50	70	625 [295]	16,700 [4.9]	3.86	9,900 [2.9]	2.44	9.00
	RCFL-H*2417(RGPT-07?AMK?)	18,700 [5.5]	14,400 [4.2]	4,300 [1.3]	13.00	15.50	70	625 [295]	16,700 [4.9]	3.86	9,900 [2.9]	2.44	9.00
	RCFL-H*2417(RGRM-04(E,N)MAES)	18,300 [5.4]	13,800 [4.0]	4,500 [1.3]	12.50	15.00	70	575 [271]	16,700 [4.9]	3.84	9,900 [2.9]	2.42	9.00
	RCFL-H*2417(RGRM-06(E,N)MAES)	18,400 [5.4]	14,000 [4.1]	4,400 [1.3]	12.50	15.00	70	600 [283]	16,700 [4.9]	3.86	9,900 [2.9]	2.44	9.00
	RCFL-H*2417(RGRM-07(E,N)MAES)	18,600 [5.4]	14,300 [4.2]	4,300 [1.3]	12.50	15.00	70	625 [295]	16,800 [4.9]	3.80	10,000 [2.9]	2.40	8.50
RCFL-H*2417(RGTM-06(E,N)MAES)	18,700 [5.5]	14,400 [4.2]	4,300 [1.3]	13.00	15.50	70	625 [295]	16,700 [4.9]	3.84	9,900 [2.9]	2.42	9.00	
RCFL-H*2417(ROCA-070E03)	18,500 [5.4]	14,100 [4.1]	4,400 [1.3]	13.00	15.50	70	600 [283]	16,600 [4.9]	3.88	9,900 [2.9]	2.44	9.00	
RCFL-H*2417(ROLA-070E03)	18,400 [5.4]	14,000 [4.1]	4,400 [1.3]	12.50	15.00	70	600 [283]	16,700 [4.9]	3.84	9,900 [2.9]	2.42	9.00	
RHKL-HM2417(RCSL-H*2417)	18,700 [5.5]	14,400 [4.2]	4,300 [1.3]	13.00	15.50	70	650 [307]	16,700 [4.9]	3.86	9,900 [2.9]	2.44	9.00	
RHSL-HM1817(RCSL-H*2417)	18,100 [5.3]	13,700 [4.0]	4,400 [1.3]	11.50	14.00	70	600 [283]	17,000 [5.0]	3.64	10,300 [3.0]	2.32	8.50	

① Highest sales volume tested combination required by D.O.E. test procedures.

[ ] Designates Metric Conversions

## Performance Data @ AHRI Standard Conditions—Cooling

Model Numbers		AHRI Cooling Performance							AHRI Heating Performance (70°F [21°C] Indoor)				
		80°F [26.5°C] DB/67°F [19.5°C] WB Indoor Air 95°F [35°C] DB Outdoor Air							Outdoor Air 47°F [8.5°C] DB/ 43°F [6°C] WB DOE High Temp.		Outdoor Air 17°F [-8.5°C] DB/ 15°F [-9.5°C] WB DOE Low Temp.		DOE Region IV HSPF
Outdoor Unit RPQL-	Indoor Coil and/or Air Handler	Total Capacity BTU/H [kW]	Net Sens. BTU/H [kW]	Net Latent BTU/H [kW]	EER	SEER	Snd. Rate dB	Indoor CFM [L/s]	BTU/H [kW]	COP	BTU/H [kW]	COP	
Rev. 1/7/2013	RHLL-HM2417(RCSL-H*2417) ①	24,000 [7.0]	17,950 [5.3]	6,050 [1.8]	12.50	15.00	70	800 [378]	22,400 [6.6]	3.72	13,900 [4.1]	2.44	9.00
	RCFL-H*2417	23,600 [6.9]	17,500 [5.1]	6,100 [1.8]	11.50	13.50	70	800 [378]	22,200 [6.5]	3.50	12,900 [3.8]	2.30	8.50
024JEZ	RCFL-H*2417(RGFE-06(E,N)MCKS)	24,000 [7.0]	17,900 [5.2]	6,100 [1.8]	12.50	15.00	70	800 [378]	22,600 [6.6]	3.60	13,400 [3.9]	2.32	8.50
	RCFL-H*2417(RGFE-07(E,N)MCKS)	23,600 [6.9]	17,300 [5.1]	6,300 [1.8]	12.50	15.00	70	725 [342]	22,600 [6.6]	3.64	13,300 [3.9]	2.34	8.50
	RCFL-H*2417(RGFG-06EMCKS)	24,000 [7.0]	17,900 [5.2]	6,100 [1.8]	12.50	15.00	70	800 [378]	22,600 [6.6]	3.60	13,400 [3.9]	2.32	8.50
	RCFL-H*2417(RGFG-07EMCKS)	24,000 [7.0]	17,900 [5.2]	6,100 [1.8]	12.50	15.00	70	800 [378]	22,600 [6.6]	3.60	13,400 [3.9]	2.32	8.50
	RCFL-H*2417(RGGE-06(E,N)MCKS)	24,000 [7.0]	17,900 [5.2]	6,100 [1.8]	12.50	15.00	70	825 [389]	22,600 [6.6]	3.62	13,300 [3.9]	2.32	8.50
	RCFL-H*2417(RGGE-07(E,N)MCKS)	24,000 [7.0]	17,900 [5.2]	6,100 [1.8]	12.50	15.00	70	800 [378]	22,600 [6.6]	3.62	13,300 [3.9]	2.32	8.50
	RCFL-H*2417(RGJF-06(E,N)MCKS)	24,000 [7.0]	17,900 [5.2]	6,100 [1.8]	12.50	15.00	70	825 [389]	22,600 [6.6]	3.62	13,300 [3.9]	2.32	8.50
	RCFL-H*2417(RGJF-07(E,N)MCKS)	24,000 [7.0]	17,900 [5.2]	6,100 [1.8]	12.50	15.00	70	800 [378]	22,600 [6.6]	3.62	13,300 [3.9]	2.32	8.50
	RCFL-H*2417(RGLE-07(E,N)AMKR)	24,000 [7.0]	17,900 [5.2]	6,100 [1.8]	12.50	15.00	70	800 [378]	22,600 [6.6]	3.64	13,300 [3.9]	2.34	8.50
	RCFL-H*2417(RGLT-07(E,N)AMKR)	24,200 [7.1]	18,300 [5.4]	5,900 [1.7]	12.50	15.00	70	850 [401]	23,000 [6.7]	3.68	14,000 [4.1]	2.42	9.00
	RCFL-H*2417(RGLT-07?AMK?)	24,200 [7.1]	18,300 [5.4]	5,900 [1.7]	12.50	15.00	70	850 [401]	23,000 [6.7]	3.68	14,000 [4.1]	2.42	9.00
	RCFL-H*2417(RGPE-05(E,N)BMKR)	24,000 [7.0]	17,900 [5.2]	6,100 [1.8]	12.50	15.00	70	800 [378]	22,600 [6.6]	3.62	13,300 [3.9]	2.34	8.50
	RCFL-H*2417(RGPE-07(E,N)AMKR)	24,000 [7.0]	17,900 [5.2]	6,100 [1.8]	12.50	15.00	70	825 [389]	22,600 [6.6]	3.62	13,300 [3.9]	2.34	8.50
	RCFL-H*2417(RGPT-05(E,N)BMKR)	24,200 [7.1]	18,300 [5.4]	5,900 [1.7]	12.00	14.50	70	850 [401]	22,600 [6.6]	3.56	13,500 [4.0]	2.30	8.50
	RCFL-H*2417(RGPT-05?BMK?)	24,200 [7.1]	18,300 [5.4]	5,900 [1.7]	12.00	14.50	70	850 [401]	22,600 [6.6]	3.56	13,500 [4.0]	2.30	8.50
	RCFL-H*2417(RGPT-07(E,N)AMKR)	24,200 [7.1]	18,300 [5.4]	5,900 [1.7]	12.50	15.00	70	850 [401]	22,600 [6.6]	3.58	13,400 [3.9]	2.32	8.50
	RCFL-H*2417(RGPT-07?AMK?)	24,200 [7.1]	18,300 [5.4]	5,900 [1.7]	12.50	15.00	70	850 [401]	22,600 [6.6]	3.58	13,400 [3.9]	2.32	8.50
	RCFL-H*2417(RGRM-04(E,N)MAES)	24,000 [7.0]	17,900 [5.2]	6,100 [1.8]	12.00	14.50	70	800 [378]	22,600 [6.6]	3.56	13,400 [3.9]	2.30	8.50
	RCFL-H*2417(RGRM-06(E,N)MAES)	24,000 [7.0]	17,900 [5.2]	6,100 [1.8]	12.00	14.50	70	825 [389]	22,600 [6.6]	3.58	13,400 [3.9]	2.30	8.50
	RCFL-H*2417(RGRM-07(E,N)MAES)	24,000 [7.0]	18,100 [5.3]	5,900 [1.7]	11.50	14.00	70	850 [401]	22,800 [6.7]	3.52	13,600 [4.0]	2.28	8.50
RCFL-H*2417(RGTM-06(E,N)MAES)	23,800 [7.0]	17,600 [5.2]	6,200 [1.8]	12.50	15.00	70	750 [354]	22,400 [6.6]	3.66	13,200 [3.9]	2.36	9.00	
RCFL-H*2417(RHWB-04WMX36A)	24,000 [7.0]	17,900 [5.2]	6,100 [1.8]	12.50	15.00	70	825 [389]	22,600 [6.6]	3.62	13,500 [4.0]	2.34	8.50	
RCFL-H*2417(ROCA-070E03)	24,000 [7.0]	17,900 [5.2]	6,100 [1.8]	12.50	15.00	70	800 [378]	22,600 [6.6]	3.64	13,300 [3.9]	2.34	8.50	
RCFL-H*2417(ROCA-070E04)	24,000 [7.0]	17,900 [5.2]	6,100 [1.8]	12.50	15.00	70	800 [378]	22,600 [6.6]	3.64	13,300 [3.9]	2.34	8.50	
RCFL-H*2417(ROLA-070E03)	24,000 [7.0]	17,900 [5.2]	6,100 [1.8]	12.50	15.00	70	800 [378]	22,600 [6.6]	3.64	13,300 [3.9]	2.34	8.50	
RCFL-H*2417(ROLA-070E04)	23,800 [7.0]	17,500 [5.1]	6,300 [1.8]	12.50	15.00	70	725 [342]	22,400 [6.6]	3.64	13,300 [3.9]	2.34	9.00	

① Highest sales volume tested combination required by D.O.E. test procedures.

[ ] Designates Metric Conversions





## Performance Data @ AHRI Standard Conditions—Cooling

Model Numbers		AHRI Cooling Performance							AHRI Heating Performance (70°F [21°C] Indoor)				
		80°F [26.5°C] DB/67°F [19.5°C] WB Indoor Air 95°F [35°C] DB Outdoor Air							Outdoor Air 47°F [8.5°C] DB/ 43°F [6°C] WB DOE High Temp.		Outdoor Air 17°F [-8.5°C] DB/ 15°F [-9.5°C] WB DOE Low Temp.		DOE Region IV HSPF
Outdoor Unit RPQL-	Indoor Coil and/or Air Handler	Total Capacity BTU/H [kW]	Net Sens. BTU/H [kW]	Net Latent BTU/H [kW]	EER	SEER	Snd. Rate dB	Indoor CFM [L/s]	BTU/H [kW]	COP	BTU/H [kW]	COP	
Rev. 1/7/2013  024JEZ	RHKL-HM2417(RCSL-H*2417)	24,200 [7.1]	18,300 [5.4]	5,900 [1.7]	12.50	15.00	70	825 [389]	22,600 [6.6]	3.62	13,300 [3.9]	2.32	9.00
	RHSL-HM2417(RCSL-H*2417)	23,800 [7.0]	17,700 [5.2]	6,100 [1.8]	11.50	14.00	70	800 [378]	23,000 [6.7]	3.46	13,700 [4.0]	2.24	8.20
030JEZ	RHLL-HM3617(RCSL-H*3617) ①	30,000 [8.8]	21,850 [6.4]	8,150 [2.4]	13.00	15.50	71	1,000 [472]	29,000 [8.5]	3.80	18,200 [5.3]	2.56	9.00
	RCFL-H*3617	29,400 [8.6]	21,200 [6.2]	8,200 [2.4]	11.50	14.00	71	1,000 [472]	27,600 [8.1]	3.24	17,000 [5.0]	2.00	8.20
	RCFL-H*3617(RGFE-06(E,N)MCKS)	29,600 [8.7]	21,600 [6.3]	8,000 [2.3]	12.00	14.50	71	1,000 [472]	28,600 [8.4]	3.48	17,900 [5.2]	2.18	8.50
	RCFL-H*3617(RGFE-07(E,N)MCKS)	29,600 [8.7]	21,600 [6.3]	8,000 [2.3]	11.50	14.00	71	1,025 [484]	28,600 [8.4]	3.46	17,900 [5.2]	2.16	8.20
	RCFL-H*3617(RGFG-06EMCKS)	29,600 [8.7]	21,600 [6.3]	8,000 [2.3]	12.00	14.50	71	1,000 [472]	28,600 [8.4]	3.48	17,900 [5.2]	2.18	8.50
	RCFL-H*3617(RGFG-07EMCKS)	29,600 [8.7]	21,600 [6.3]	8,000 [2.3]	11.50	14.00	71	1,000 [472]	28,600 [8.4]	3.46	17,900 [5.2]	2.16	8.20
	RCFL-H*3617(RGGE-06(E,N)MCKS)	29,600 [8.7]	21,200 [6.2]	8,400 [2.5]	12.50	15.00	71	925 [437]	28,400 [8.3]	3.58	17,600 [5.2]	2.22	9.00
	RCFL-H*3617(RGGE-07(E,N)MCKS)	29,800 [8.7]	21,600 [6.3]	8,200 [2.4]	12.00	14.50	71	1,025 [484]	28,600 [8.4]	3.50	17,800 [5.2]	2.18	8.50
	RCFL-H*3617(RGJF-06(E,N)MCKS)	29,600 [8.7]	21,200 [6.2]	8,400 [2.5]	12.50	15.00	71	925 [437]	28,400 [8.3]	3.58	17,600 [5.2]	2.22	9.00
	RCFL-H*3617(RGJF-07(E,N)MCKS)	29,800 [8.7]	21,600 [6.3]	8,200 [2.4]	12.00	14.50	71	1,025 [484]	28,600 [8.4]	3.50	17,800 [5.2]	2.18	8.50
	RCFL-H*3617(RGLE-07(E,N)AMKR)	29,800 [8.7]	21,800 [6.4]	8,000 [2.3]	12.50	15.00	71	1,025 [484]	28,400 [8.3]	3.52	17,700 [5.2]	2.20	9.00
	RCFL-H*3617(RGLT-07(E,N)AMKR)	29,800 [8.7]	21,400 [6.3]	8,400 [2.5]	12.50	15.00	71	925 [437]	28,200 [8.3]	3.62	17,500 [5.1]	2.24	9.00
	RCFL-H*3617(RGLT-07?AMK?)	29,800 [8.7]	21,400 [6.3]	8,400 [2.5]	12.50	15.00	71	925 [437]	28,200 [8.3]	3.62	17,500 [5.1]	2.24	9.00
	RCFL-H*3617(RGPE-05(E,N)BMKR)	29,400 [8.6]	21,000 [6.2]	8,400 [2.5]	12.50	15.00	71	900 [425]	28,200 [8.3]	3.56	17,600 [5.2]	2.22	9.00
	RCFL-H*3617(RGPE-07(E,N)AMKR)	29,400 [8.6]	21,000 [6.2]	8,400 [2.5]	12.50	15.00	71	900 [425]	28,200 [8.3]	3.58	17,500 [5.1]	2.22	9.00
	RCFL-H*3617(RGPT-05(E,N)BMKR)	30,000 [8.8]	22,100 [6.5]	7,900 [2.3]	12.00	14.50	71	1,050 [495]	28,600 [8.4]	3.58	17,900 [5.2]	2.38	8.50
	RCFL-H*3617(RGPT-05?BMK?)	30,000 [8.8]	22,100 [6.5]	7,900 [2.3]	12.00	14.50	71	1,050 [495]	28,600 [8.4]	3.58	17,900 [5.2]	2.38	8.50
	RCFL-H*3617(RGPT-07(E,N)AMKR)	30,000 [8.8]	22,100 [6.5]	7,900 [2.3]	12.00	14.50	71	1,050 [495]	28,600 [8.4]	3.60	17,800 [5.2]	2.40	8.50
	RCFL-H*3617(RGPT-07?AMK?)	30,000 [8.8]	22,100 [6.5]	7,900 [2.3]	12.00	14.50	71	1,050 [495]	28,600 [8.4]	3.60	17,800 [5.2]	2.40	8.50
	RCFL-H*3617(RGRM-04(E,N)MAES)	29,400 [8.6]	21,000 [6.2]	8,400 [2.5]	11.50	14.00	71	925 [437]	28,400 [8.3]	3.50	17,800 [5.2]	2.20	8.20
	RCFL-H*3617(RGRM-06(E,N)MAES)	29,600 [8.7]	21,600 [6.3]	8,000 [2.3]	12.00	14.50	71	1,000 [472]	28,600 [8.4]	3.46	17,900 [5.2]	2.16	8.50
	RCFL-H*3617(RGRM-07(E,N)MAES)	29,400 [8.6]	21,000 [6.2]	8,400 [2.5]	11.50	14.00	71	950 [448]	28,600 [8.4]	3.44	18,000 [5.3]	2.16	8.20
	RCFL-H*3617(RGTM-06(E,N)MAES)	29,400 [8.6]	21,000 [6.2]	8,400 [2.5]	12.50	15.00	71	900 [425]	28,200 [8.3]	3.56	17,600 [5.2]	2.22	9.00
RCFL-H*3617(RHWP-04WMX36A)	29,800 [8.7]	21,700 [6.4]	8,100 [2.4]	12.00	14.50	71	1,025 [484]	28,400 [8.3]	3.64	17,700 [5.2]	2.42	8.50	
RCFL-H*3617(RHWP-06WMX48A)	29,600 [8.7]	21,300 [6.2]	8,300 [2.4]	12.50	15.00	71	950 [448]	28,400 [8.3]	3.66	17,600 [5.2]	2.44	8.50	
RCFL-H*3617(ROCA-070E03)	29,800 [8.7]	21,800 [6.4]	8,000 [2.3]	12.50	15.00	71	1,000 [472]	28,400 [8.3]	3.52	17,700 [5.2]	2.20	9.00	

① Highest sales volume tested combination required by D.O.E. test procedures.

[ ] Designates Metric Conversions



## Performance Data @ AHRI Standard Conditions—Cooling

Model Numbers		AHRI Cooling Performance							AHRI Heating Performance (70°F [21°C] Indoor)				
		80°F [26.5°C] DB/67°F [19.5°C] WB Indoor Air 95°F [35°C] DB Outdoor Air							Outdoor Air 47°F [8.5°C] DB/ 43°F [6°C] WB DOE High Temp.		Outdoor Air 17°F [-8.5°C] DB/ 15°F [-9.5°C] WB DOE Low Temp.		DOE Region IV HSPF
Outdoor Unit RPQL-	Indoor Coil and/or Air Handler	Total Capacity BTU/H [kW]	Net Sens. BTU/H [kW]	Net Latent BTU/H [kW]	EER	SEER	Snd. Rate dB	Indoor CFM [L/s]	BTU/H [kW]	COP	BTU/H [kW]	COP	
Rev. 1/7/2013	RCFL-H*3617(ROCA-070E04)	29,800 [8.7]	21,800 [6.4]	8,000 [2.3]	12.50	15.00	71	1,000 [472]	28,400 [8.3]	3.52	17,700 [5.2]	2.20	9.00
	RCFL-H*3617(ROLA-070E03)	29,600 [8.7]	21,000 [6.2]	8,600 [2.5]	12.50	15.00	71	900 [425]	28,200 [8.3]	3.60	17,500 [5.1]	2.22	9.00
	RCFL-H*3617(ROLA-070E04)	29,600 [8.7]	21,000 [6.2]	8,600 [2.5]	12.50	15.00	71	900 [425]	28,200 [8.3]	3.60	17,500 [5.1]	2.22	9.00
	RCFL-H*3621	29,400 [8.6]	21,200 [6.2]	8,200 [2.4]	11.50	14.00	71	1,000 [472]	27,600 [8.1]	3.24	17,000 [5.0]	2.00	8.20
	RCFL-H*3621(RGFE-06(E,N)MCKS)	29,800 [8.7]	21,600 [6.3]	8,200 [2.4]	12.00	14.50	71	1,000 [472]	28,600 [8.4]	3.48	17,800 [5.2]	2.16	8.50
	RCFL-H*3621(RGFE-07(E,N)MCKS)	29,600 [8.7]	21,600 [6.3]	8,000 [2.3]	12.00	14.50	71	1,025 [484]	28,600 [8.4]	3.46	17,900 [5.2]	2.16	8.50
	RCFL-H*3621(RGFE-09(E,N)ZCMS)	29,800 [8.7]	21,800 [6.4]	8,000 [2.3]	12.50	15.00	71	975 [460]	28,200 [8.3]	3.54	17,500 [5.1]	2.20	9.00
	RCFL-H*3621(RGFE-10(E,N)ZCMS)	30,000 [8.8]	21,800 [6.4]	8,200 [2.4]	12.50	15.00	71	1,000 [472]	28,400 [8.3]	3.54	17,600 [5.2]	2.20	9.00
	RCFL-H*3621(RGFG-06EMCKS)	29,800 [8.7]	21,600 [6.3]	8,200 [2.4]	12.00	14.50	71	1,000 [472]	28,600 [8.4]	3.48	17,800 [5.2]	2.16	8.50
	RCFL-H*3621(RGFG-07EMCKS)	29,600 [8.7]	21,600 [6.3]	8,000 [2.3]	12.00	14.50	71	1,000 [472]	28,600 [8.4]	3.46	17,900 [5.2]	2.16	8.50
	RCFL-H*3621(RGFG-09EZCMS)	29,800 [8.7]	21,800 [6.4]	8,000 [2.3]	12.50	15.00	71	975 [460]	28,200 [8.3]	3.54	17,500 [5.1]	2.20	9.00
	RCFL-H*3621(RGFG-10EZCMS)	29,600 [8.7]	21,000 [6.2]	8,600 [2.5]	12.50	15.00	71	900 [425]	28,200 [8.3]	3.60	17,500 [5.1]	2.22	9.00
	RCFL-H*3621(RGGE-06(E,N)MCKS)	29,600 [8.7]	21,200 [6.2]	8,400 [2.5]	12.50	15.00	71	925 [437]	28,200 [8.3]	3.56	17,600 [5.2]	2.22	9.00
	RCFL-H*3621(RGGE-07(E,N)MCKS)	29,800 [8.7]	21,600 [6.3]	8,200 [2.4]	12.00	14.50	71	1,025 [484]	28,600 [8.4]	3.50	17,800 [5.2]	2.18	8.50
	RCFL-H*3621(RGGE-09(E,N)ZCMS)	30,000 [8.8]	21,800 [6.4]	8,200 [2.4]	12.50	15.00	71	1,000 [472]	28,200 [8.3]	3.54	17,600 [5.2]	2.20	9.00
	RCFL-H*3621(RGGE-10(E,N)ZCMS)	30,000 [8.8]	21,800 [6.4]	8,200 [2.4]	12.50	15.00	71	1,000 [472]	28,400 [8.3]	3.56	17,600 [5.2]	2.20	9.00
	RCFL-H*3621(RGJF-06(E,N)MCKS)	29,600 [8.7]	21,200 [6.2]	8,400 [2.5]	12.50	15.00	71	925 [437]	28,200 [8.3]	3.56	17,600 [5.2]	2.22	9.00
	RCFL-H*3621(RGJF-07(E,N)MCKS)	29,800 [8.7]	21,600 [6.3]	8,200 [2.4]	12.00	14.50	71	1,025 [484]	28,600 [8.4]	3.50	17,800 [5.2]	2.18	8.50
	RCFL-H*3621(RGJF-09(E,N)ZCMS)	29,800 [8.7]	21,800 [6.4]	8,000 [2.3]	12.50	15.00	71	1,000 [472]	28,000 [8.2]	3.52	17,500 [5.1]	2.20	9.00
	RCFL-H*3621(RGJF-10(E,N)ZCMS)	30,000 [8.8]	21,800 [6.4]	8,200 [2.4]	12.50	15.00	71	1,000 [472]	28,400 [8.3]	3.56	17,600 [5.2]	2.20	9.00
RCFL-H*3621(RGLE-07(E,N)AMKR)	29,800 [8.7]	21,800 [6.4]	8,000 [2.3]	12.50	15.00	71	1,025 [484]	28,400 [8.3]	3.54	17,700 [5.2]	2.20	9.00	
RCFL-H*3621(RGLE-07(E,N)BRQR)	29,800 [8.7]	21,400 [6.3]	8,400 [2.5]	12.50	15.00	71	925 [437]	28,200 [8.3]	3.62	17,400 [5.1]	2.24	9.00	
RCFL-H*3621(RGLE-07?BRQ?)	29,800 [8.7]	21,400 [6.3]	8,400 [2.5]	12.50	15.00	71	925 [437]	28,200 [8.3]	3.62	17,400 [5.1]	2.24	9.00	
RCFL-H*3621(RGLE-10(E,N)BRMR)	30,400 [8.9]	22,400 [6.6]	8,000 [2.3]	12.50	15.00	71	1,050 [495]	28,200 [8.3]	3.56	17,500 [5.1]	2.22	9.00	
RCFL-H*3621(RGLT-07(E,N)AMKR)	29,800 [8.7]	21,400 [6.3]	8,400 [2.5]	12.50	15.00	71	925 [437]	28,200 [8.3]	3.62	17,500 [5.1]	2.24	8.50	
RCFL-H*3621(RGLT-07?AMK?)	29,800 [8.7]	21,400 [6.3]	8,400 [2.5]	12.50	15.00	71	925 [437]	28,200 [8.3]	3.62	17,500 [5.1]	2.24	8.50	
RCFL-H*3621(RGLT-07(E,N)BRQR)	30,000 [8.8]	22,000 [6.4]	8,000 [2.3]	12.50	15.00	71	975 [460]	28,200 [8.3]	3.60	17,500 [5.1]	2.22	9.00	
RCFL-H*3621(RGLT-07?BRQ?)	30,000 [8.8]	22,000 [6.4]	8,000 [2.3]	12.50	15.00	71	975 [460]	28,200 [8.3]	3.60	17,500 [5.1]	2.22	9.00	

① Highest sales volume tested combination required by D.O.E. test procedures.

[ ] Designates Metric Conversions



**Performance Data @ AHRI Standard Conditions—Cooling**

Model Numbers		AHRI Cooling Performance							AHRI Heating Performance (70°F [21°C] Indoor)					
		80°F [26.5°C] DB/67°F [19.5°C] WB Indoor Air 95°F [35°C] DB Outdoor Air							Outdoor Air 47°F [8.5°C] DB/ 43°F [6°C] WB DOE High Temp.		Outdoor Air 17°F [-8.5°C] DB/ 15°F [-9.5°C] WB DOE Low Temp.		DOE Region IV HSPF	
Outdoor Unit RPQL-	Indoor Coil and/or Air Handler	Total Capacity BTU/H [kW]	Net Sens. BTU/H [kW]	Net Latent BTU/H [kW]	EER	SEER	Snd. Rate dB	Indoor CFM [L/s]	BTU/H [kW]	COP	BTU/H [kW]	COP		
									DOE High Temp.	DOE Low Temp.	DOE High Temp.	DOE Low Temp.		
Rev. 1/7/2013	RCFL-H*3621(RGLT-10(E,N)BRMR)	30,200 [8.8]	22,000 [6.4]	8,200 [2.4]	12.50	15.00	71	975 [460]	28,200 [8.3]	3.60	17,500 [5.1]	2.24	9.00	
	RCFL-H*3621(RGLT-10?BRM?)	30,200 [8.8]	22,000 [6.4]	8,200 [2.4]	12.50	15.00	71	975 [460]	28,200 [8.3]	3.60	17,500 [5.1]	2.24	9.00	
	RCFL-H*3621(RGPE-05(E,N)BMKR)	29,400 [8.6]	21,000 [6.2]	8,400 [2.5]	12.50	15.00	71	900 [425]	28,200 [8.3]	3.56	17,600 [5.2]	2.22	9.00	
	RCFL-H*3621(RGPE-07(E,N)AMKR)	29,400 [8.6]	21,000 [6.2]	8,400 [2.5]	12.50	15.00	71	900 [425]	28,200 [8.3]	3.58	17,500 [5.1]	2.22	9.00	
	RCFL-H*3621(RGPE-07(E,N)BRQR)	29,600 [8.7]	21,200 [6.2]	8,400 [2.5]	12.50	15.00	71	900 [425]	28,200 [8.3]	3.64	17,400 [5.1]	2.24	9.00	
	RCFL-H*3621(RGPE-10(E,N)BRMR)	29,600 [8.7]	21,200 [6.2]	8,400 [2.5]	12.50	15.00	71	900 [425]	28,000 [8.2]	3.62	17,400 [5.1]	2.24	9.00	
	RCFL-H*3621(RGPT-07(E,N)AMKR)	30,000 [8.8]	22,100 [6.5]	7,900 [2.3]	12.00	14.50	71	1,050 [495]	28,600 [8.4]	3.62	17,800 [5.2]	2.40	8.50	
	RCFL-H*3621(RGPT-07?AMK?)	30,000 [8.8]	22,100 [6.5]	7,900 [2.3]	12.00	14.50	71	1,050 [495]	28,600 [8.4]	3.62	17,800 [5.2]	2.40	8.50	
	RCFL-H*3621(RGPT-07(E,N)BRQR)	30,200 [8.8]	22,000 [6.4]	8,200 [2.4]	12.50	15.00	71	975 [460]	28,200 [8.3]	3.60	17,500 [5.1]	2.24	9.00	
	RCFL-H*3621(RGPT-07?BRQ?)	30,200 [8.8]	22,000 [6.4]	8,200 [2.4]	12.50	15.00	71	975 [460]	28,200 [8.3]	3.60	17,500 [5.1]	2.24	9.00	
	RCFL-H*3621(RGPT-10?BRM?)	30,200 [8.8]	22,000 [6.4]	8,200 [2.4]	12.50	15.00	71	975 [460]	28,200 [8.3]	3.60	17,500 [5.1]	2.24	9.00	
	RCFL-H*3621(RGRM-04(E,N)MAES)	29,400 [8.6]	21,000 [6.2]	8,400 [2.5]	11.50	14.00	71	925 [437]	28,400 [8.3]	3.52	17,700 [5.2]	2.18	8.20	
	RCFL-H*3621(RGRM-06(E,N)MAES)	29,600 [8.7]	21,600 [6.3]	8,000 [2.3]	12.00	14.50	71	1,000 [472]	28,600 [8.4]	3.46	17,900 [5.2]	2.16	8.50	
	RCFL-H*3621(RGRM-07(E,N)MAES)	29,400 [8.6]	21,000 [6.2]	8,400 [2.5]	11.50	14.00	71	950 [448]	28,600 [8.4]	3.46	17,900 [5.2]	2.16	8.20	
	030JEZ	RCFL-H*3621(RGRM-07(E,N)YBGS)	29,600 [8.7]	21,800 [6.4]	7,800 [2.3]	11.50	14.00	71	1,050 [495]	28,600 [8.4]	3.36	18,000 [5.3]	2.12	8.20
	RCFL-H*3621(RGRM-09(E,N)ZAJ5)	29,600 [8.7]	21,400 [6.3]	8,200 [2.4]	12.50	15.00	71	950 [448]	28,400 [8.3]	3.56	17,600 [5.2]	2.20	8.50	
	RCFL-H*3621(RGRM-10(E,N)ZAJ5)	29,800 [8.7]	21,600 [6.3]	8,200 [2.4]	12.00	14.50	71	1,025 [484]	28,400 [8.3]	3.48	17,800 [5.2]	2.18	8.50	
	RCFL-H*3621(RGTM-06(E,N)MAES)	29,400 [8.6]	21,000 [6.2]	8,400 [2.5]	12.50	15.00	71	900 [425]	28,200 [8.3]	3.58	17,500 [5.1]	2.22	9.00	
	RCFL-H*3621(RGTM-07(E,N)RBGS)	29,800 [8.7]	21,400 [6.3]	8,400 [2.5]	12.50	15.00	71	950 [448]	28,200 [8.3]	3.58	17,500 [5.1]	2.22	9.00	
	RCFL-H*3621(RGTM-09(E,N)ZAJ5)	30,000 [8.8]	21,800 [6.4]	8,200 [2.4]	12.50	15.00	71	975 [460]	28,200 [8.3]	3.58	17,500 [5.1]	2.22	9.00	
RCFL-H*3621(RHWB-04WMX36A)	29,800 [8.7]	21,700 [6.4]	8,100 [2.4]	12.50	15.00	71	1,025 [484]	28,400 [8.3]	3.62	17,800 [5.2]	2.40	8.50		
RCFL-H*3621(RHWB-06WMX48A)	30,000 [8.8]	21,900 [6.4]	8,100 [2.4]	12.50	15.00	71	975 [460]	28,400 [8.3]	3.68	17,600 [5.2]	2.44	8.50		
RCFL-H*3621(ROCA-070E03)	30,000 [8.8]	21,800 [6.4]	8,200 [2.4]	12.50	15.00	71	1,000 [472]	28,400 [8.3]	3.54	17,600 [5.2]	2.20	9.00		
RCFL-H*3621(ROCA-070E04)	30,000 [8.8]	21,800 [6.4]	8,200 [2.4]	12.50	15.00	71	1,000 [472]	28,400 [8.3]	3.54	17,600 [5.2]	2.20	9.00		
RCFL-H*3621(ROLA-070E03)	29,600 [8.7]	21,000 [6.2]	8,600 [2.5]	12.50	15.00	71	900 [425]	28,200 [8.3]	3.60	17,500 [5.1]	2.24	9.00		
RCFL-H*3621(ROLA-070E04)	30,000 [8.8]	21,800 [6.4]	8,200 [2.4]	12.50	15.00	71	1,025 [484]	28,400 [8.3]	3.54	17,600 [5.2]	2.20	9.00		
RCFL-H*3621(ROLA-115E05)	30,200 [8.8]	22,200 [6.5]	8,000 [2.3]	12.50	15.00	71	1,050 [495]	28,400 [8.3]	3.52	17,700 [5.2]	2.20	9.00		
RHKL-HM3617(RCSL-H*3617)	30,000 [8.8]	21,800 [6.4]	8,200 [2.4]	12.50	15.00	71	1,025 [484]	28,200 [8.3]	3.54	17,600 [5.2]	2.22	9.00		
RHSL-HM3017(RCSL-H*3617)	29,400 [8.6]	21,400 [6.3]	8,000 [2.3]	11.50	14.00	71	1,000 [472]	28,600 [8.4]	3.44	17,900 [5.2]	2.16	8.20		

① Highest sales volume tested combination required by D.O.E. test procedures.

[ ] Designates Metric Conversions

## Performance Data @ AHRI Standard Conditions—Cooling

Model Numbers		AHRI Cooling Performance							AHRI Heating Performance (70°F [21°C] Indoor)				
		80°F [26.5°C] DB/67°F [19.5°C] WB Indoor Air 95°F [35°C] DB Outdoor Air							Outdoor Air 47°F [8.5°C] DB/ 43°F [6°C] WB DOE High Temp.		Outdoor Air 17°F [-8.5°C] DB/ 15°F [-9.5°C] WB DOE Low Temp.		DOE Region IV HSPF
Outdoor Unit RPQL-	Indoor Coil and/or Air Handler	Total Capacity BTU/H [kW]	Net Sens. BTU/H [kW]	Net Latent BTU/H [kW]	EER	SEER	Snd. Rate dB	Indoor CFM [L/s]	BTU/H [kW]	COP	BTU/H [kW]	COP	
Rev. 1/7/2013	RHLL-HM3617(RCSL-H*3617) ①	36,000 [10.5]	26,300 [7.7]	9,700 [2.8]	12.50	15.00	74	1,200 [566]	36,000 [10.5]	3.96	23,600 [6.9]	2.76	9.00
	RCFL-H*3617	34,400 [10.1]	24,100 [7.1]	10,300 [3.0]	11.50	14.00	74	1,075 [507]	34,400 [10.1]	3.78	22,800 [6.7]	2.66	8.20
	RCFL-H*3617(RGFE-06(E,N)MCKS)	35,200 [10.3]	25,500 [7.5]	9,700 [2.8]	11.50	14.00	74	1,200 [566]	35,200 [10.3]	3.76	24,200 [7.1]	2.64	8.50
	RCFL-H*3617(RGFE-07(E,N)MCKS)	36,200 [10.6]	26,400 [7.7]	9,800 [2.9]	11.50	14.00	74	1,225 [578]	36,200 [10.6]	3.72	24,400 [7.1]	2.62	8.50
	RCFL-H*3617(RGFG-06EMCKS)	35,200 [10.3]	25,500 [7.5]	9,700 [2.8]	11.50	14.00	74	1,200 [566]	35,200 [10.3]	3.76	24,200 [7.1]	2.64	8.50
	RCFL-H*3617(RGFG-07EMCKS)	36,200 [10.6]	26,400 [7.7]	9,800 [2.9]	11.50	14.00	74	1,225 [578]	36,200 [10.6]	3.74	24,400 [7.1]	2.62	8.50
	RCFL-H*3617(RGGE-06(E,N)MCKS)	35,600 [10.4]	25,900 [7.6]	9,700 [2.8]	11.50	14.00	74	1,200 [566]	35,600 [10.4]	3.82	24,000 [7.0]	2.68	8.50
	RCFL-H*3617(RGGE-07(E,N)MCKS)	35,600 [10.4]	25,900 [7.6]	9,700 [2.8]	11.50	14.00	74	1,200 [566]	35,600 [10.4]	3.80	24,000 [7.0]	2.66	8.50
	RCFL-H*3617(RGJF-06(E,N)MCKS)	35,600 [10.4]	25,900 [7.6]	9,700 [2.8]	11.50	14.00	74	1,200 [566]	35,600 [10.4]	3.82	24,000 [7.0]	2.68	8.50
	RCFL-H*3617(RGJF-07(E,N)MCKS)	35,600 [10.4]	25,900 [7.6]	9,700 [2.8]	11.50	14.00	74	1,200 [566]	35,600 [10.4]	3.80	24,000 [7.0]	2.66	8.50
	RCFL-H*3617(RGLE-07(E,N)AMKR)	35,800 [10.5]	26,100 [7.6]	9,700 [2.8]	12.00	14.50	74	1,200 [566]	35,800 [10.5]	3.86	23,800 [7.0]	2.70	8.50
	RCFL-H*3617(RGLT-07(E,N)AMKR)	35,800 [10.5]	25,900 [7.6]	9,900 [2.9]	12.50	15.00	74	1,150 [543]	35,800 [10.5]	3.90	23,600 [6.9]	2.76	8.50
	RCFL-H*3617(RGLT-07?AMK?)	35,800 [10.5]	25,900 [7.6]	9,900 [2.9]	12.50	15.00	74	1,150 [543]	35,800 [10.5]	3.90	23,600 [6.9]	2.76	8.50
RCFL-H*3617(RGPE-05(E,N)BMKR)	35,600 [10.4]	25,900 [7.6]	9,700 [2.8]	11.50	14.00	74	1,200 [566]	35,600 [10.4]	3.82	24,000 [7.0]	2.68	8.50	
036JEZ	RCFL-H*3617(RGPE-07(E,N)AMKR)	35,600 [10.4]	25,900 [7.6]	9,700 [2.8]	11.50	14.00	74	1,225 [578]	35,600 [10.4]	3.84	24,000 [7.0]	2.68	8.50
	RCFL-H*3617(RGPT-05(E,N)BMKR)	35,600 [10.4]	25,900 [7.6]	9,700 [2.8]	11.50	14.00	74	1,175 [554]	35,600 [10.4]	3.78	24,200 [7.1]	2.66	8.50
	RCFL-H*3617(RGPT-05?BMK?)	35,600 [10.4]	25,900 [7.6]	9,700 [2.8]	11.50	14.00	74	1,175 [554]	35,600 [10.4]	3.78	24,200 [7.1]	2.66	8.50
	RCFL-H*3617(RGPT-07(E,N)AMKR)	35,600 [10.4]	25,900 [7.6]	9,700 [2.8]	12.00	14.50	74	1,175 [554]	35,600 [10.4]	3.82	24,000 [7.0]	2.68	8.50
	RCFL-H*3617(RGPT-07?AMK?)	35,600 [10.4]	25,900 [7.6]	9,700 [2.8]	12.00	14.50	74	1,175 [554]	35,600 [10.4]	3.82	24,000 [7.0]	2.68	8.50
	RCFL-H*3617(RGRM-04(E,N)MAES)	36,200 [10.6]	26,300 [7.7]	9,900 [2.9]	11.50	14.00	74	1,200 [566]	36,200 [10.6]	3.74	24,400 [7.1]	2.62	8.50
	RCFL-H*3617(RGRM-06(E,N)MAES)	35,400 [10.4]	25,700 [7.5]	9,700 [2.8]	11.50	14.00	74	1,175 [554]	35,400 [10.4]	3.76	24,200 [7.1]	2.62	8.50
	RCFL-H*3617(RGTM-06(E,N)MAES)	35,200 [10.3]	25,000 [7.3]	10,200 [3.0]	12.00	14.50	74	1,075 [507]	35,200 [10.3]	3.94	23,600 [6.9]	2.74	8.50
	RCFL-H*3617(RHWB-04WWMX36A)	36,400 [10.7]	26,300 [7.7]	10,100 [3.0]	12.00	14.50	74	1,150 [543]	36,400 [10.7]	3.90	23,800 [7.0]	2.72	8.50
	RCFL-H*3617(RHWB-06WWMX48A)	36,600 [10.7]	26,700 [7.8]	9,900 [2.9]	12.00	14.50	74	1,200 [566]	36,600 [10.7]	3.86	23,800 [7.0]	2.70	8.50
	RCFL-H*3617(ROCA-070E03)	35,600 [10.4]	25,900 [7.6]	9,700 [2.8]	12.00	14.50	74	1,200 [566]	35,600 [10.4]	3.86	24,000 [7.0]	2.70	8.50
	RCFL-H*3617(ROCA-070E04)	35,600 [10.4]	25,900 [7.6]	9,700 [2.8]	12.00	14.50	74	1,200 [566]	35,600 [10.4]	3.86	24,000 [7.0]	2.70	8.50
	RCFL-H*3617(ROLA-070E03)	35,800 [10.5]	26,100 [7.6]	9,700 [2.8]	12.50	15.00	74	1,175 [554]	35,800 [10.5]	3.92	23,800 [7.0]	2.74	8.50
RCFL-H*3617(ROLA-070E04)	35,800 [10.5]	26,100 [7.6]	9,700 [2.8]	12.50	15.00	74	1,175 [554]	35,800 [10.5]	3.92	23,800 [7.0]	2.74	8.50	
RCFL-H*3621	34,400 [10.1]	24,100 [7.1]	10,300 [3.0]	11.50	14.00	74	1,075 [507]	34,400 [10.1]	3.78	22,800 [6.7]	2.66	8.20	

① Highest sales volume tested combination required by D.O.E. test procedures.

[ ] Designates Metric Conversions

## Performance Data @ AHRI Standard Conditions—Cooling

Model Numbers		AHRI Cooling Performance							AHRI Heating Performance (70°F [21°C] Indoor)				
		80°F [26.5°C] DB/67°F [19.5°C] WB Indoor Air 95°F [35°C] DB Outdoor Air							Outdoor Air 47°F [8.5°C] DB/ 43°F [6°C] WB DOE High Temp.		Outdoor Air 17°F [-8.5°C] DB/ 15°F [-9.5°C] WB DOE Low Temp.		DOE Region IV HSPF
Outdoor Unit RPQL-	Indoor Coil and/or Air Handler	Total Capacity BTU/H [kW]	Net Sens. BTU/H [kW]	Net Latent BTU/H [kW]	EER	SEER	Snd. Rate dB	Indoor CFM [L/s]	BTU/H [kW]	COP	BTU/H [kW]	COP	
Rev. 1/7/2013	RCFL-H*3621(RGFE-06(E,N)MCKS)	35,400 [10.4]	25,700 [7.5]	9,700 [2.8]	11.50	14.00	74	1,200 [566]	35,400 [10.4]	3.78	24,200 [7.1]	2.64	8.50
	RCFL-H*3621(RGFE-07(E,N)MCKS)	36,200 [10.6]	26,400 [7.7]	9,800 [2.9]	11.50	14.00	74	1,225 [578]	36,200 [10.6]	3.74	24,400 [7.1]	2.62	8.50
	RCFL-H*3621(RGFE-09(E,N)ZCMS)	35,800 [10.5]	26,100 [7.6]	9,700 [2.8]	12.00	14.50	74	1,200 [566]	35,800 [10.5]	3.88	23,800 [7.0]	2.72	8.50
	RCFL-H*3621(RGFE-10(E,N)ZCMS)	35,600 [10.4]	25,900 [7.6]	9,700 [2.8]	12.00	14.50	74	1,225 [578]	35,600 [10.4]	3.86	23,800 [7.0]	2.70	8.50
	RCFL-H*3621(RGFG-06EMCKS)	35,400 [10.4]	25,700 [7.5]	9,700 [2.8]	11.50	14.00	74	1,200 [566]	35,400 [10.4]	3.78	24,200 [7.1]	2.64	8.50
	RCFL-H*3621(RGFG-07EMCKS)	36,200 [10.6]	26,400 [7.7]	9,800 [2.9]	11.50	14.00	74	1,225 [578]	36,200 [10.6]	3.74	24,400 [7.1]	2.62	8.50
	RCFL-H*3621(RGFG-09EZCMS)	35,800 [10.5]	26,100 [7.6]	9,700 [2.8]	12.00	14.50	74	1,200 [566]	35,800 [10.5]	3.88	23,800 [7.0]	2.72	8.50
	RCFL-H*3621(RGFG-10EZCMS)	35,800 [10.5]	26,100 [7.6]	9,700 [2.8]	12.00	14.50	74	1,200 [566]	35,800 [10.5]	3.88	23,800 [7.0]	2.70	8.50
	RCFL-H*3621(RGGE-06(E,N)MCKS)	35,600 [10.4]	25,900 [7.6]	9,700 [2.8]	12.00	14.50	74	1,200 [566]	35,600 [10.4]	3.84	24,000 [7.0]	2.68	8.50
	RCFL-H*3621(RGGE-07(E,N)MCKS)	35,600 [10.4]	25,900 [7.6]	9,700 [2.8]	11.50	14.00	74	1,200 [566]	35,600 [10.4]	3.82	24,000 [7.0]	2.66	8.50
	RCFL-H*3621(RGGE-09(E,N)ZCMS)	35,800 [10.5]	26,100 [7.6]	9,700 [2.8]	12.50	15.00	74	1,225 [578]	35,800 [10.5]	3.92	23,800 [7.0]	2.74	8.50
	RCFL-H*3621(RGGE-10(E,N)ZCMS)	35,800 [10.5]	26,100 [7.6]	9,700 [2.8]	12.00	14.50	74	1,200 [566]	35,800 [10.5]	3.90	23,800 [7.0]	2.72	8.50
	RCFL-H*3621(RGJF-06(E,N)MCKS)	35,600 [10.4]	25,900 [7.6]	9,700 [2.8]	12.00	14.50	74	1,200 [566]	35,600 [10.4]	3.84	24,000 [7.0]	2.68	8.50
	RCFL-H*3621(RGJF-07(E,N)MCKS)	35,600 [10.4]	25,900 [7.6]	9,700 [2.8]	11.50	14.00	74	1,200 [566]	35,600 [10.4]	3.82	24,000 [7.0]	2.66	8.50
	RCFL-H*3621(RGJF-09(E,N)ZCMS)	35,800 [10.5]	26,100 [7.6]	9,700 [2.8]	12.50	15.00	74	1,225 [578]	35,800 [10.5]	3.92	23,800 [7.0]	2.74	8.50
	RCFL-H*3621(RGJF-10(E,N)ZCMS)	35,800 [10.5]	26,100 [7.6]	9,700 [2.8]	12.00	14.50	74	1,200 [566]	35,800 [10.5]	3.90	23,800 [7.0]	2.72	8.50
	RCFL-H*3621(RGLE-07(E,N)AMKR)	35,800 [10.5]	26,100 [7.6]	9,700 [2.8]	12.00	14.50	74	1,200 [566]	35,800 [10.5]	3.88	23,800 [7.0]	2.70	8.50
	RCFL-H*3621(RGLE-07(E,N)BRQR)	36,000 [10.5]	26,300 [7.7]	9,700 [2.8]	12.50	15.00	74	1,225 [578]	36,000 [10.5]	3.94	23,600 [6.9]	2.74	8.50
	RCFL-H*3621(RGLE-07?BRQ?)	36,000 [10.5]	26,300 [7.7]	9,700 [2.8]	12.50	15.00	74	1,225 [578]	36,000 [10.5]	3.94	23,600 [6.9]	2.74	8.50
	RCFL-H*3621(RGLE-10(E,N)BRMR)	36,000 [10.5]	26,300 [7.7]	9,700 [2.8]	13.00	15.50	74	1,200 [566]	36,000 [10.5]	3.98	23,600 [6.9]	2.78	8.50
RCFL-H*3621(RGLT-07(E,N)AMKR)	35,800 [10.5]	25,900 [7.6]	9,900 [2.9]	12.50	15.00	74	1,150 [543]	35,800 [10.5]	3.98	23,600 [6.9]	2.76	8.50	
RCFL-H*3621(RGLT-07?AMK?)	35,800 [10.5]	25,900 [7.6]	9,900 [2.9]	12.50	15.00	74	1,150 [543]	35,800 [10.5]	3.98	23,600 [6.9]	2.76	8.50	
RCFL-H*3621(RGLT-07(E,N)BRQR)	36,000 [10.5]	26,300 [7.7]	9,700 [2.8]	12.50	15.00	74	1,200 [566]	36,000 [10.5]	3.94	23,600 [6.9]	2.74	8.50	
RCFL-H*3621(RGLT-07?BRQ?)	36,000 [10.5]	26,300 [7.7]	9,700 [2.8]	12.50	15.00	74	1,200 [566]	36,000 [10.5]	3.94	23,600 [6.9]	2.74	8.50	
RCFL-H*3621(RGLT-10(E,N)BRMR)	36,000 [10.5]	26,300 [7.7]	9,700 [2.8]	12.50	15.00	74	1,175 [554]	36,000 [10.5]	3.96	23,600 [6.9]	2.76	8.50	
RCFL-H*3621(RGLT-10?BRM?)	36,000 [10.5]	26,300 [7.7]	9,700 [2.8]	12.50	15.00	74	1,175 [554]	36,000 [10.5]	3.96	23,600 [6.9]	2.76	8.50	
RCFL-H*3621(RGPE-05(E,N)BMKR)	35,600 [10.4]	25,900 [7.6]	9,700 [2.8]	11.50	14.00	74	1,200 [566]	35,600 [10.4]	3.82	24,000 [7.0]	2.68	8.50	
RCFL-H*3621(RGPE-07(E,N)AMKR)	35,600 [10.4]	25,900 [7.6]	9,700 [2.8]	12.00	14.50	74	1,225 [578]	35,600 [10.4]	3.84	24,000 [7.0]	2.70	8.50	

① Highest sales volume tested combination required by D.O.E. test procedures.

[ ] Designates Metric Conversions

## Performance Data @ AHRI Standard Conditions—Cooling

Model Numbers		AHRI Cooling Performance							AHRI Heating Performance (70°F [21°C] Indoor)					
		80°F [26.5°C] DB/67°F [19.5°C] WB Indoor Air 95°F [35°C] DB Outdoor Air							Outdoor Air 47°F [8.5°C] DB/ 43°F [6°C] WB DOE High Temp.		Outdoor Air 17°F [-8.5°C] DB/ 15°F [-9.5°C] WB DOE Low Temp.		DOE Region IV HSPF	
Outdoor Unit RPQL-	Indoor Coil and/or Air Handler	Total Capacity BTU/H [kW]	Net Sens. BTU/H [kW]	Net Latent BTU/H [kW]	EER	SEER	Snd. Rate dB	Indoor CFM [L/s]	BTU/H [kW]	COP	BTU/H [kW]	COP		
Rev. 1/7/2013	RCFL-H*3621(RGPE-07(E,N)BRQR)	36,000 [10.5]	26,300 [7.7]	9,700 [2.8]	12.50	15.00	74	1,225 [578]	36,000 [10.5]	3.96	23,600 [6.9]	2.76	8.50	
	RCFL-H*3621(RGPE-10(E,N)BRMR)	36,000 [10.5]	26,300 [7.7]	9,700 [2.8]	12.50	15.00	74	1,225 [578]	36,000 [10.5]	3.96	23,600 [6.9]	2.76	8.50	
	RCFL-H*3621(RGPT-05(E,N)BMKR)	35,200 [10.3]	25,000 [7.3]	10,200 [3.0]	12.00	14.50	74	1,075 [507]	35,200 [10.3]	3.92	23,800 [7.0]	2.74	8.20	
	RCFL-H*3621(RGPT-05?BMK?)	35,200 [10.3]	25,000 [7.3]	10,200 [3.0]	12.00	14.50	74	1,075 [507]	35,200 [10.3]	3.92	23,800 [7.0]	2.74	8.20	
	RCFL-H*3621(RGPT-07(E,N)AMKR)	35,600 [10.4]	25,900 [7.6]	9,700 [2.8]	12.00	14.50	74	1,200 [566]	35,600 [10.4]	3.82	24,000 [7.0]	2.68	8.50	
	RCFL-H*3621(RGPT-07?AMK?)	35,600 [10.4]	25,900 [7.6]	9,700 [2.8]	12.00	14.50	74	1,200 [566]	35,600 [10.4]	3.82	24,000 [7.0]	2.68	8.50	
	RCFL-H*3621(RGPT-07(E,N)BRQR)	36,000 [10.5]	26,300 [7.7]	9,700 [2.8]	12.50	15.00	74	1,175 [554]	36,000 [10.5]	3.96	23,600 [6.9]	2.76	8.50	
	RCFL-H*3621(RGPT-07?BRQ?)	36,000 [10.5]	26,300 [7.7]	9,700 [2.8]	12.50	15.00	74	1,175 [554]	36,000 [10.5]	3.96	23,600 [6.9]	2.76	8.50	
	RCFL-H*3621(RGPT-10?BRM?)	36,000 [10.5]	26,300 [7.7]	9,700 [2.8]	12.50	15.00	74	1,175 [554]	36,000 [10.5]	3.96	23,600 [6.9]	2.76	8.50	
	RCFL-H*3621(RGRM-04(E,N)MAES)	35,400 [10.4]	25,700 [7.5]	9,700 [2.8]	11.50	14.00	74	1,200 [566]	35,400 [10.4]	3.74	24,400 [7.1]	2.62	8.50	
036JEZ	RCFL-H*3621(RGRM-06(E,N)MAES)	35,400 [10.4]	25,700 [7.5]	9,700 [2.8]	11.50	14.00	74	1,175 [554]	35,400 [10.4]	3.76	24,200 [7.1]	2.64	8.50	
	RCFL-H*3621(RGRM-09(E,N)ZAJ)	35,200 [10.3]	25,000 [7.3]	10,200 [3.0]	12.00	14.50	74	1,075 [507]	35,200 [10.3]	3.88	23,600 [6.9]	2.76	8.50	
	RCFL-H*3621(RGRM-10(E,N)ZAJ)	35,600 [10.4]	25,700 [7.5]	9,900 [2.9]	12.00	14.50	74	1,150 [543]	35,600 [10.4]	3.88	23,800 [7.0]	2.72	8.50	
	RCFL-H*3621(RGTM-06(E,N)MAES)	35,200 [10.3]	25,000 [7.3]	10,200 [3.0]	12.50	15.00	74	1,025 [484]	35,200 [10.3]	3.94	23,600 [6.9]	2.76	8.50	
	RCFL-H*3621(RGTM-07(E,N)RBGS)	35,600 [10.4]	25,600 [7.5]	10,000 [2.9]	12.50	15.00	74	1,125 [531]	35,600 [10.4]	3.98	23,600 [6.9]	2.76	8.50	
	RCFL-H*3621(RGTM-09(E,N)ZAJ)	35,600 [10.4]	25,500 [7.5]	10,100 [3.0]	12.50	15.00	74	1,100 [519]	35,600 [10.4]	3.94	23,400 [6.9]	2.78	8.50	
	RCFL-H*3621(RHWB-04WMX36A)	36,400 [10.7]	26,300 [7.7]	10,100 [3.0]	12.00	14.50	74	1,150 [543]	36,400 [10.7]	3.90	23,800 [7.0]	2.72	8.50	
	RCFL-H*3621(RHWB-06WMX48A)	36,400 [10.7]	26,400 [7.7]	10,000 [2.9]	12.00	14.50	74	1,175 [554]	36,400 [10.7]	3.86	23,800 [7.0]	2.70	8.50	
	RCFL-H*3621(ROCA-070E03)	35,800 [10.5]	26,100 [7.6]	9,700 [2.8]	12.00	14.50	74	1,200 [566]	35,800 [10.5]	3.88	23,800 [7.0]	2.70	8.50	
	RCFL-H*3621(ROCA-070E04)	35,800 [10.5]	26,100 [7.6]	9,700 [2.8]	12.00	14.50	74	1,200 [566]	35,800 [10.5]	3.88	23,800 [7.0]	2.70	8.50	
	RCFL-H*3621(ROLA-070E03)	36,000 [10.5]	26,300 [7.7]	9,700 [2.8]	12.50	15.00	74	1,175 [554]	36,000 [10.5]	3.94	23,600 [6.9]	2.74	8.50	
	RCFL-H*3621(ROLA-070E04)	36,000 [10.5]	26,300 [7.7]	9,700 [2.8]	12.50	15.00	74	1,175 [554]	36,000 [10.5]	3.94	23,600 [6.9]	2.74	8.50	
	RCFL-H*3621(ROLA-115E05)	36,000 [10.5]	26,300 [7.7]	9,700 [2.8]	12.50	15.00	74	1,200 [566]	36,000 [10.5]	3.96	23,600 [6.9]	2.76	8.50	
	RHKL-HM3617(RCSL-H*3617)	36,000 [10.5]	26,300 [7.7]	9,700 [2.8]	12.50	15.00	74	1,225 [578]	36,000 [10.5]	3.94	23,600 [6.9]	2.74	9.00	
	RHSL-HM3617(RCSL-H*3617)	35,400 [10.4]	25,700 [7.5]	9,700 [2.8]	12.00	14.50	74	1,100 [519]	35,400 [10.4]	3.80	24,200 [7.1]	2.66	8.20	
	RHSL-HM3621(RCSL-H*3621)	35,600 [10.4]	25,900 [7.6]	9,700 [2.8]	11.50	14.00	74	1,100 [519]	35,600 [10.4]	3.78	24,200 [7.1]	2.64	8.20	
	037JEZ	RHLL-HM3617(RCSL-H*3617) ①	36,600 [10.7]	26,450 [7.7]	10,150 [3.0]	12.50	15.00	74	1,150 [543]	34,400 [10.1]	3.68	22,600 [6.6]	2.60	9.00
		RCFL-H*3617	35,800 [10.5]	25,300 [7.4]	10,500 [3.1]	11.50	14.00	74	1,075 [507]	33,000 [9.7]	3.52	21,200 [6.2]	2.50	8.50

① Highest sales volume tested combination required by D.O.E. test procedures.

[ ] Designates Metric Conversions

## Performance Data @ AHRI Standard Conditions—Cooling

Model Numbers		AHRI Cooling Performance							AHRI Heating Performance (70°F [21°C] Indoor)				
		80°F [26.5°C] DB/67°F [19.5°C] WB Indoor Air 95°F [35°C] DB Outdoor Air							Outdoor Air 47°F [8.5°C] DB/ 43°F [6°C] WB DOE High Temp.		Outdoor Air 17°F [-8.5°C] DB/ 15°F [-9.5°C] WB DOE Low Temp.		DOE Region IV HSPF
Outdoor Unit RPQL-	Indoor Coil and/or Air Handler	Total Capacity BTU/H [kW]	Net Sens. BTU/H [kW]	Net Latent BTU/H [kW]	EER	SEER	Snd. Rate dB	Indoor CFM [L/s]	BTU/H [kW]	COP	BTU/H [kW]	COP	
Rev. 1/7/2013	RCFL-H*3617(RGGE-06(E,N)MCKS)	36,400 [10.7]	26,500 [7.8]	9,900 [2.9]	11.50	14.00	74	1,200 [566]	34,400 [10.1]	3.52	22,600 [6.6]	2.48	8.50
	RCFL-H*3617(RGGE-07(E,N)MCKS)	36,400 [10.7]	26,500 [7.8]	9,900 [2.9]	11.50	14.00	74	1,200 [566]	34,400 [10.1]	3.50	22,600 [6.6]	2.48	8.50
	RCFL-H*3617(RGJF-06(E,N)MCKS)	36,400 [10.7]	26,500 [7.8]	9,900 [2.9]	11.50	14.00	74	1,200 [566]	34,400 [10.1]	3.52	22,600 [6.6]	2.48	8.50
	RCFL-H*3617(RGJF-07(E,N)MCKS)	36,400 [10.7]	26,500 [7.8]	9,900 [2.9]	11.50	14.00	74	1,200 [566]	34,400 [10.1]	3.50	22,600 [6.6]	2.48	8.50
	RCFL-H*3617(RGLE-07(E,N)AMKR)	36,600 [10.7]	26,700 [7.8]	9,900 [2.9]	11.50	14.00	74	1,200 [566]	34,200 [10.0]	3.56	22,400 [6.6]	2.50	8.50
	RCFL-H*3617(RGLT-07(E,N)AMKR)	36,600 [10.7]	26,500 [7.8]	10,100 [3.0]	12.50	15.00	74	1,150 [543]	33,600 [9.8]	3.62	21,800 [6.4]	2.52	9.00
	RCFL-H*3617(RGLT-07?AMK?)	36,600 [10.7]	26,500 [7.8]	10,100 [3.0]	12.50	15.00	74	1,150 [543]	33,600 [9.8]	3.62	21,800 [6.4]	2.52	9.00
	RCFL-H*3617(RGPE-05(E,N)BMKR)	36,400 [10.7]	26,500 [7.8]	9,900 [2.9]	11.50	14.00	74	1,200 [566]	34,400 [10.1]	3.52	22,600 [6.6]	2.48	8.50
	RCFL-H*3617(RGPE-07(E,N)AMKR)	36,600 [10.7]	26,800 [7.9]	9,800 [2.9]	11.50	14.00	74	1,225 [578]	34,400 [10.1]	3.54	22,400 [6.6]	2.48	8.50
	RCFL-H*3617(RGPT-05(E,N)BMKR)	36,400 [10.7]	26,500 [7.8]	9,900 [2.9]	11.50	14.00	74	1,200 [566]	34,400 [10.1]	3.50	22,600 [6.6]	2.46	8.50
	RCFL-H*3617(RGPT-05?BMK?)	36,400 [10.7]	26,500 [7.8]	9,900 [2.9]	11.50	14.00	74	1,200 [566]	34,400 [10.1]	3.50	22,600 [6.6]	2.46	8.50
	RCFL-H*3617(RGPT-07(E,N)AMKR)	36,200 [10.6]	26,100 [7.6]	10,100 [3.0]	12.00	14.00	74	1,175 [554]	34,200 [10.0]	3.52	22,400 [6.6]	2.46	8.50
	RCFL-H*3617(RGPT-07?AMK?)	36,200 [10.6]	26,100 [7.6]	10,100 [3.0]	12.00	14.00	74	1,175 [554]	34,200 [10.0]	3.52	22,400 [6.6]	2.46	8.50
	RCFL-H*3617(RHWB-04WMX36A)	36,800 [10.8]	26,500 [7.8]	10,300 [3.0]	12.00	14.50	74	1,150 [543]	34,200 [10.0]	3.58	22,200 [6.5]	2.52	8.50
	RCFL-H*3617(RHWB-06WMX48A)	36,800 [10.8]	26,500 [7.8]	10,300 [3.0]	12.00	14.50	74	1,150 [543]	34,200 [10.0]	3.56	22,400 [6.6]	2.50	8.50
	RCFL-H*3617(ROCA-070E03)	36,600 [10.7]	26,700 [7.8]	9,900 [2.9]	11.50	14.00	74	1,200 [566]	34,200 [10.0]	3.56	22,400 [6.6]	2.50	8.50
	RCFL-H*3617(ROCA-070E04)	36,600 [10.7]	26,700 [7.8]	9,900 [2.9]	11.50	14.00	74	1,200 [566]	34,200 [10.0]	3.56	22,400 [6.6]	2.50	8.50
	RCFL-H*3617(ROLA-070E03)	36,400 [10.7]	26,300 [7.7]	10,100 [3.0]	12.00	14.50	74	1,175 [554]	34,000 [10.0]	3.62	22,200 [6.5]	2.54	8.50
	RCFL-H*3617(ROLA-070E04)	36,400 [10.7]	26,300 [7.7]	10,100 [3.0]	12.00	14.50	74	1,175 [554]	34,000 [10.0]	3.62	22,200 [6.5]	2.54	8.50
	RCFL-H*3617+RXMD-C04	35,800 [10.5]	25,300 [7.4]	10,500 [3.1]	11.50	14.00	74	1,075 [507]	33,600 [9.8]	3.60	21,600 [6.3]	2.50	8.50
037JEZ	RCFL-H*3621(RGFE-09(E,N)ZCMS)	36,600 [10.7]	26,700 [7.8]	9,900 [2.9]	12.00	14.50	74	1,200 [566]	34,200 [10.0]	3.58	22,400 [6.6]	2.52	8.50
	RCFL-H*3621(RGFE-10(E,N)ZCMS)	36,600 [10.7]	26,800 [7.9]	9,800 [2.9]	11.50	14.00	74	1,225 [578]	34,200 [10.0]	3.56	22,400 [6.6]	2.50	8.50
	RCFL-H*3621(RGFG-09EZCMS)	36,600 [10.7]	26,700 [7.8]	9,900 [2.9]	12.00	14.50	74	1,200 [566]	34,200 [10.0]	3.58	22,400 [6.6]	2.52	8.50
	RCFL-H*3621(RGFG-10EZCMS)	36,600 [10.7]	26,700 [7.8]	9,900 [2.9]	11.50	14.00	74	1,200 [566]	34,200 [10.0]	3.58	22,400 [6.6]	2.52	8.50
	RCFL-H*3621(RGGE-06(E,N)MCKS)	36,400 [10.7]	26,500 [7.8]	9,900 [2.9]	11.50	14.00	74	1,200 [566]	34,400 [10.1]	3.54	22,400 [6.6]	2.50	8.50
	RCFL-H*3621(RGGE-07(E,N)MCKS)	36,400 [10.7]	26,500 [7.8]	9,900 [2.9]	11.50	14.00	74	1,200 [566]	34,400 [10.1]	3.52	22,600 [6.6]	2.48	8.50
	RCFL-H*3621(RGGE-09(E,N)ZCMS)	36,800 [10.8]	27,000 [7.9]	9,800 [2.9]	12.00	14.50	74	1,225 [578]	34,000 [10.0]	3.60	22,200 [6.5]	2.54	8.50
	RCFL-H*3621(RGGE-10(E,N)ZCMS)	36,600 [10.7]	26,700 [7.8]	9,900 [2.9]	12.00	14.50	74	1,200 [566]	34,200 [10.0]	3.58	22,200 [6.5]	2.52	8.50

① Highest sales volume tested combination required by D.O.E. test procedures.

[ ] Designates Metric Conversions



## Performance Data @ AHRI Standard Conditions—Cooling

Model Numbers		AHRI Cooling Performance							AHRI Heating Performance (70°F [21°C] Indoor)				
		80°F [26.5°C] DB/67°F [19.5°C] WB Indoor Air 95°F [35°C] DB Outdoor Air							Outdoor Air 47°F [8.5°C] DB/ 43°F [6°C] WB DOE High Temp.		Outdoor Air 17°F [-8.5°C] DB/ 15°F [-9.5°C] WB DOE Low Temp.		DOE Region IV HSPF
Outdoor Unit RPQL-	Indoor Coil and/or Air Handler	Total Capacity BTU/H [kW]	Net Sens. BTU/H [kW]	Net Latent BTU/H [kW]	EER	SEER	Snd. Rate dB	Indoor CFM [L/s]	BTU/H [kW]	COP	BTU/H [kW]	COP	
Rev. 1/7/2013	RCFL-H*3621(RGJF-06(E,N)MCKS)	36,400 [10.7]	26,500 [7.8]	9,900 [2.9]	11.50	14.00	74	1,200 [566]	34,400 [10.1]	3.54	22,400 [6.6]	2.50	8.50
	RCFL-H*3621(RGJF-07(E,N)MCKS)	36,400 [10.7]	26,500 [7.8]	9,900 [2.9]	11.50	14.00	74	1,200 [566]	34,400 [10.1]	3.52	22,600 [6.6]	2.48	8.50
	RCFL-H*3621(RGJF-09(E,N)ZCMS)	36,800 [10.8]	27,000 [7.9]	9,800 [2.9]	12.00	14.50	74	1,225 [578]	34,000 [10.0]	3.60	22,200 [6.5]	2.54	8.50
	RCFL-H*3621(RGJF-10(E,N)ZCMS)	36,600 [10.7]	26,700 [7.8]	9,900 [2.9]	12.00	14.50	74	1,200 [566]	34,200 [10.0]	3.58	22,200 [6.5]	2.52	8.50
	RCFL-H*3621(RGLE-07(E,N)AMKR)	36,600 [10.7]	26,700 [7.8]	9,900 [2.9]	11.50	14.00	74	1,200 [566]	34,200 [10.0]	3.58	22,400 [6.6]	2.52	8.50
	RCFL-H*3621(RGLE-07(E,N)BRQR)	37,000 [10.8]	27,200 [8.0]	9,800 [2.9]	12.00	14.50	74	1,225 [578]	34,000 [10.0]	3.62	22,200 [6.5]	2.54	8.50
	RCFL-H*3621(RGLE-07?BRQ?)	37,000 [10.8]	27,200 [8.0]	9,800 [2.9]	12.00	14.50	74	1,225 [578]	34,000 [10.0]	3.62	22,200 [6.5]	2.54	8.50
	RCFL-H*3621(RGLE-10(E,N)BRMR)	37,000 [10.8]	27,100 [7.9]	9,900 [2.9]	12.50	15.00	74	1,200 [566]	33,800 [9.9]	3.66	22,000 [6.4]	2.58	9.00
	RCFL-H*3621(RGLT-07(E,N)AMKR)	36,600 [10.7]	26,500 [7.8]	10,100 [3.0]	12.50	15.00	74	1,150 [543]	33,600 [9.8]	3.62	21,800 [6.4]	2.54	9.00
	RCFL-H*3621(RGLT-07?AMK?)	36,600 [10.7]	26,500 [7.8]	10,100 [3.0]	12.50	15.00	74	1,150 [543]	33,600 [9.8]	3.62	21,800 [6.4]	2.54	9.00
	RCFL-H*3621(RGLT-07(E,N)BRQR)	36,800 [10.8]	26,900 [7.9]	9,900 [2.9]	12.00	14.50	74	1,200 [566]	34,000 [10.0]	3.62	22,200 [6.5]	2.54	8.50
	RCFL-H*3621(RGLT-07?BRQ?)	36,800 [10.8]	26,900 [7.9]	9,900 [2.9]	12.00	14.50	74	1,200 [566]	34,000 [10.0]	3.62	22,200 [6.5]	2.54	8.50
	RCFL-H*3621(RGLT-10(E,N)BRMR)	36,600 [10.7]	26,500 [7.8]	10,100 [3.0]	12.00	14.50	74	1,175 [554]	33,600 [9.8]	3.60	21,600 [6.3]	2.50	8.50
	RCFL-H*3621(RGLT-10?BRM?)	36,600 [10.7]	26,500 [7.8]	10,100 [3.0]	12.00	14.50	74	1,175 [554]	33,600 [9.8]	3.60	21,600 [6.3]	2.50	8.50
	RCFL-H*3621(RGPE-05(E,N)BMKR)	36,400 [10.7]	26,500 [7.8]	9,900 [2.9]	11.50	14.00	74	1,200 [566]	34,400 [10.1]	3.52	22,600 [6.6]	2.48	8.50
	RCFL-H*3621(RGPE-07(E,N)AMKR)	36,600 [10.7]	26,800 [7.9]	9,800 [2.9]	11.50	14.00	74	1,225 [578]	34,200 [10.0]	3.54	22,400 [6.6]	2.50	8.50
	RCFL-H*3621(RGPE-07(E,N)BRQR)	37,000 [10.8]	27,200 [8.0]	9,800 [2.9]	12.00	14.50	74	1,225 [578]	33,600 [9.8]	3.60	21,600 [6.3]	2.50	8.50
	RCFL-H*3621(RGPE-10(E,N)BRMR)	37,000 [10.8]	27,200 [8.0]	9,800 [2.9]	12.00	14.50	74	1,225 [578]	33,600 [9.8]	3.60	21,800 [6.4]	2.52	8.50
	RCFL-H*3621(RGPT-05(E,N)BMKR)	36,400 [10.7]	26,500 [7.8]	9,900 [2.9]	11.50	14.00	74	1,200 [566]	34,400 [10.1]	3.50	22,600 [6.6]	2.46	8.50
	RCFL-H*3621(RGPT-05?BMK?)	36,400 [10.7]	26,500 [7.8]	9,900 [2.9]	11.50	14.00	74	1,200 [566]	34,400 [10.1]	3.50	22,600 [6.6]	2.46	8.50
RCFL-H*3621(RGPT-07(E,N)AMKR)	36,600 [10.7]	26,700 [7.8]	9,900 [2.9]	12.00	14.00	74	1,200 [566]	34,200 [10.0]	3.52	22,400 [6.6]	2.48	8.50	
RCFL-H*3621(RGPT-07?AMK?)	36,600 [10.7]	26,700 [7.8]	9,900 [2.9]	12.00	14.00	74	1,200 [566]	34,200 [10.0]	3.52	22,400 [6.6]	2.48	8.50	
RCFL-H*3621(RGPT-07(E,N)BRQR)	37,200 [10.9]	27,000 [7.9]	10,200 [3.0]	12.50	15.00	74	1,175 [554]	34,000 [10.0]	3.64	22,000 [6.4]	2.56	8.50	
RCFL-H*3621(RGPT-07?BRQ?)	37,200 [10.9]	27,000 [7.9]	10,200 [3.0]	12.50	15.00	74	1,175 [554]	34,000 [10.0]	3.64	22,000 [6.4]	2.56	8.50	
RCFL-H*3621(RGPT-10?BRM?)	36,600 [10.7]	26,500 [7.8]	10,100 [3.0]	12.50	15.00	74	1,175 [554]	33,600 [9.8]	3.62	21,800 [6.4]	2.52	9.00	
RCFL-H*3621(RGRM-09(E,N)ZAJJS)	36,600 [10.7]	26,800 [7.9]	9,800 [2.9]	11.50	14.00	74	1,225 [578]	34,200 [10.0]	3.54	22,400 [6.6]	2.50	8.50	
RCFL-H*3621(RGRM-10(E,N)ZAJJS)	36,400 [10.7]	26,300 [7.7]	10,100 [3.0]	11.50	14.00	74	1,150 [543]	34,200 [10.0]	3.58	22,400 [6.6]	2.52	8.50	
RCFL-H*3621(RGTM-07(E,N)RBGS)	36,600 [10.7]	26,500 [7.8]	10,100 [3.0]	12.50	15.00	74	1,125 [531]	33,600 [9.8]	3.62	21,800 [6.4]	2.54	9.00	

① Highest sales volume tested combination required by D.O.E. test procedures.

[ ] Designates Metric Conversions



## Performance Data @ AHRI Standard Conditions—Cooling

Model Numbers		AHRI Cooling Performance							AHRI Heating Performance (70°F [21°C] Indoor)				
		80°F [26.5°C] DB/67°F [19.5°C] WB Indoor Air 95°F [35°C] DB Outdoor Air							Outdoor Air 47°F [8.5°C] DB/ 43°F [6°C] WB DOE High Temp.		Outdoor Air 17°F [-8.5°C] DB/ 15°F [-9.5°C] WB DOE Low Temp.		DOE Region IV HSPF
Outdoor Unit RPQL-	Indoor Coil and/or Air Handler	Total Capacity BTU/H [kW]	Net Sens. BTU/H [kW]	Net Latent BTU/H [kW]	EER	SEER	Snd. Rate dB	Indoor CFM [L/s]					
									BTU/H [kW]	COP	BTU/H [kW]	COP	
Rev. 1/7/2013	RCFL-H*3621(RGTM-09(E,N)ZAJ5)	36,800 [10.8]	27,000 [7.9]	9,800 [2.9]	12.00	14.50	74	1,225 [578]	34,000 [10.0]	3.60	22,200 [6.5]	2.52	8.50
	RCFL-H*3621(RHWB-04WMX36A)	37,000 [10.8]	26,700 [7.8]	10,300 [3.0]	12.00	14.50	74	1,150 [543]	34,200 [10.0]	3.58	22,200 [6.5]	2.52	8.50
	RCFL-H*3621(RHWB-06WMX48A)	37,000 [10.8]	26,800 [7.9]	10,200 [3.0]	12.00	14.50	74	1,175 [554]	34,200 [10.0]	3.56	22,400 [6.6]	2.50	8.50
	RCFL-H*3621(ROCA-070E03)	36,600 [10.7]	26,700 [7.8]	9,900 [2.9]	11.50	14.00	74	1,200 [566]	34,200 [10.0]	3.56	22,400 [6.6]	2.52	8.50
	RCFL-H*3621(ROCA-070E04)	36,600 [10.7]	26,700 [7.8]	9,900 [2.9]	11.50	14.00	74	1,200 [566]	34,200 [10.0]	3.56	22,400 [6.6]	2.52	8.50
	RCFL-H*3621(ROLA-070E03)	36,400 [10.7]	26,300 [7.7]	10,100 [3.0]	12.00	14.50	74	1,175 [554]	34,000 [10.0]	3.62	22,200 [6.5]	2.54	8.50
	RCFL-H*3621(ROLA-070E04)	36,400 [10.7]	26,300 [7.7]	10,100 [3.0]	12.00	14.50	74	1,175 [554]	34,000 [10.0]	3.62	22,200 [6.5]	2.54	8.50
	RCFL-H*3621(ROLA-115E05)	36,800 [10.8]	26,900 [7.9]	9,900 [2.9]	12.00	14.50	74	1,200 [566]	33,600 [9.8]	3.60	21,600 [6.3]	2.50	8.50
	RCFL-H*3621+RXMD-C04	35,800 [10.5]	25,300 [7.4]	10,500 [3.1]	11.50	14.00	74	1,075 [507]	33,000 [9.7]	3.52	21,200 [6.2]	2.50	8.50
	RHKL-HM3617(RCSL-H*3617)	37,000 [10.8]	27,200 [8.0]	9,800 [2.9]	12.00	14.50	74	1,225 [578]	34,000 [10.0]	3.62	22,200 [6.5]	2.54	9.00
	RHSL-HM3617(RCSL-H*3617)	36,400 [10.7]	26,500 [7.8]	9,900 [2.9]	11.50	14.00	74	1,200 [566]	34,400 [10.1]	3.50	22,600 [6.6]	2.46	8.50
	RHSL-HM3621(RCSL-H*3621)	36,400 [10.7]	26,500 [7.8]	9,900 [2.9]	11.50	14.00	74	1,200 [566]	34,400 [10.1]	3.48	22,600 [6.6]	2.46	8.50
037JEZ	RCFL-H*4821	39,500 [11.6]	29,600 [8.7]	9,900 [2.9]	11.50	14.00	74	1,400 [661]	38,500 [11.3]	3.88	24,600 [7.2]	2.60	9.00
	RCFL-H*4821(RGFE-09(E,N)ZCMS)	39,500 [11.6]	29,600 [8.7]	9,900 [2.9]	11.50	14.00	74	1,400 [661]	39,000 [11.4]	3.74	25,400 [7.4]	2.52	9.50
	RCFL-H*4821(RGFG-09EZCMS)	39,500 [11.6]	29,600 [8.7]	9,900 [2.9]	11.50	14.00	74	1,400 [661]	39,000 [11.4]	3.74	25,400 [7.4]	2.52	9.50
	RCFL-H*4821(RGFG-10EZCMS)	39,500 [11.6]	29,600 [8.7]	9,900 [2.9]	11.50	14.00	74	1,400 [661]	39,000 [11.4]	3.72	25,400 [7.4]	2.52	9.00
	RCFL-H*4821(RGGE-09(E,N)ZCMS)	39,500 [11.6]	29,600 [8.7]	9,900 [2.9]	11.50	14.00	74	1,400 [661]	39,000 [11.4]	3.78	25,200 [7.4]	2.54	9.00
	RCFL-H*4821(RGGE-10(E,N)ZCMS)	39,500 [11.6]	29,600 [8.7]	9,900 [2.9]	11.50	14.00	74	1,400 [661]	39,000 [11.4]	3.74	25,200 [7.4]	2.52	9.00
	RCFL-H*4821(RGJF-09(E,N)ZCMS)	39,500 [11.6]	29,600 [8.7]	9,900 [2.9]	11.50	14.00	74	1,400 [661]	39,000 [11.4]	3.78	25,200 [7.4]	2.54	9.00
	RCFL-H*4821(RGJF-10(E,N)ZCMS)	39,500 [11.6]	29,600 [8.7]	9,900 [2.9]	11.50	14.00	74	1,400 [661]	39,000 [11.4]	3.74	25,200 [7.4]	2.52	9.00
	RCFL-H*4821(RGLE-07(E,N)BRQR)	39,500 [11.6]	29,600 [8.7]	9,900 [2.9]	12.00	14.50	74	1,400 [661]	39,000 [11.4]	3.82	25,000 [7.3]	2.56	9.00
	RCFL-H*4821(RGLE-07?BRQ?)	39,500 [11.6]	29,600 [8.7]	9,900 [2.9]	12.00	14.50	74	1,400 [661]	39,000 [11.4]	3.82	25,000 [7.3]	2.56	9.00
	RCFL-H*4821(RGLE-10(E,N)BRMR)	40,000 [11.7]	30,100 [8.8]	9,900 [2.9]	12.00	14.50	74	1,400 [661]	38,500 [11.3]	3.86	24,800 [7.3]	2.58	9.50
	RCFL-H*4821(RGLT-07(E,N)AMKR)	39,500 [11.6]	29,100 [8.5]	10,400 [3.0]	12.00	14.50	74	1,325 [625]	39,000 [11.4]	3.84	25,000 [7.3]	2.58	9.50
	RCFL-H*4821(RGLT-07?AMK?)	39,500 [11.6]	29,100 [8.5]	10,400 [3.0]	12.00	14.50	74	1,325 [625]	39,000 [11.4]	3.84	25,000 [7.3]	2.58	9.50
	RCFL-H*4821(RGLT-07(E,N)BRQR)	40,000 [11.7]	30,300 [8.9]	9,700 [2.8]	12.00	14.50	74	1,450 [684]	39,000 [11.4]	3.78	25,200 [7.4]	2.54	9.00
	RCFL-H*4821(RGLT-07?BRQ?)	40,000 [11.7]	30,300 [8.9]	9,700 [2.8]	12.00	14.50	74	1,450 [684]	39,000 [11.4]	3.78	25,200 [7.4]	2.54	9.00
	RCFL-H*4821(RGLT-10(E,N)BRMR)	39,500 [11.6]	29,600 [8.7]	9,900 [2.9]	12.00	14.50	74	1,425 [672]	39,000 [11.4]	3.80	25,000 [7.3]	2.56	9.00
	RCFL-H*4821(RGLT-10?BRM?)	39,500 [11.6]	29,600 [8.7]	9,900 [2.9]	12.00	14.50	74	1,425 [672]	39,000 [11.4]	3.80	25,000 [7.3]	2.56	9.00

① Highest sales volume tested combination required by D.O.E. test procedures.

[ ] Designates Metric Conversions

## Performance Data @ AHRI Standard Conditions—Cooling

Model Numbers		AHRI Cooling Performance							AHRI Heating Performance (70°F [21°C] Indoor)				
		80°F [26.5°C] DB/67°F [19.5°C] WB Indoor Air 95°F [35°C] DB Outdoor Air							Outdoor Air 47°F [8.5°C] DB/ 43°F [6°C] WB DOE High Temp.		Outdoor Air 17°F [-8.5°C] DB/ 15°F [-9.5°C] WB DOE Low Temp.		DOE Region IV HSPF
Outdoor Unit RPQL-	Indoor Coil and/or Air Handler	Total Capacity BTU/H [kW]	Net Sens. BTU/H [kW]	Net Latent BTU/H [kW]	EER	SEER	Snd. Rate dB	Indoor CFM [L/s]	BTU/H [kW]	COP	BTU/H [kW]	COP	
Rev. 1/7/2013	RCFL-H*4821(RGPE-07(E,N)BRQR)	40,000 [11.7]	30,100 [8.8]	9,900 [2.9]	12.00	14.50	74	1,400 [661]	39,000 [11.4]	3.84	25,000 [7.3]	2.58	9.50
	RCFL-H*4821(RGPE-10(E,N)BRMR)	40,000 [11.7]	30,100 [8.8]	9,900 [2.9]	12.00	14.50	74	1,400 [661]	39,000 [11.4]	3.82	25,000 [7.3]	2.58	9.50
	RCFL-H*4821(RGPT-07(E,N)AMKR)	39,000 [11.4]	28,800 [8.4]	10,200 [3.0]	11.50	14.00	74	1,350 [637]	39,000 [11.4]	3.72	25,400 [7.4]	2.50	9.00
	RCFL-H*4821(RGPT-07?AMK?)	39,000 [11.4]	28,800 [8.4]	10,200 [3.0]	11.50	14.00	74	1,350 [637]	39,000 [11.4]	3.72	25,400 [7.4]	2.50	9.00
	RCFL-H*4821(RGPT-07(E,N)BRQR)	40,000 [11.7]	30,300 [8.9]	9,700 [2.8]	12.00	14.50	74	1,450 [684]	39,000 [11.4]	3.80	25,000 [7.3]	2.56	9.00
	RCFL-H*4821(RGPT-07?BRQ?)	40,000 [11.7]	30,300 [8.9]	9,700 [2.8]	12.00	14.50	74	1,450 [684]	39,000 [11.4]	3.80	25,000 [7.3]	2.56	9.00
	RCFL-H*4821(RGPT-10?BRM?)	40,000 [11.7]	30,100 [8.8]	9,900 [2.9]	12.00	14.50	74	1,425 [672]	39,000 [11.4]	3.82	25,000 [7.3]	2.56	9.00
	RCFL-H*4821(RGTM-06(E,N)MAES)	38,500 [11.3]	27,700 [8.1]	10,800 [3.2]	11.50	14.00	74	1,225 [578]	40,000 [11.7]	3.86	26,200 [7.7]	2.62	9.50
	RCFL-H*4821(RGTM-07(E,N)RBGS)	39,500 [11.6]	29,100 [8.5]	10,400 [3.0]	12.00	14.50	74	1,325 [625]	39,000 [11.4]	3.84	25,000 [7.3]	2.58	9.50
	RCFL-H*4821(RGTM-09(E,N)ZAJJS)	39,500 [11.6]	29,600 [8.7]	9,900 [2.9]	11.50	14.00	74	1,400 [661]	39,000 [11.4]	3.76	25,200 [7.4]	2.54	9.00
	RCFL-H*4821(RHWP-04WMX36A)	39,000 [11.4]	28,600 [8.4]	10,400 [3.0]	11.50	14.00	74	1,325 [625]	39,000 [11.4]	3.74	25,200 [7.4]	2.52	9.00
	RCFL-H*4821(RHWP-06WMX48A)	39,000 [11.4]	28,600 [8.4]	10,400 [3.0]	11.50	14.00	74	1,325 [625]	39,000 [11.4]	3.74	25,200 [7.4]	2.52	9.00
042JEZ	RCFL-H*4821(ROLA-070E04)	39,500 [11.6]	29,600 [8.7]	9,900 [2.9]	12.00	14.50	74	1,375 [649]	39,000 [11.4]	3.82	25,000 [7.3]	2.56	9.00
	RCFL-H*4821(ROLA-115E05)	39,500 [11.6]	29,600 [8.7]	9,900 [2.9]	12.00	14.50	74	1,400 [661]	39,000 [11.4]	3.80	25,000 [7.3]	2.56	9.00
	RCFL-H*4821+RXMD-C04	39,500 [11.6]	29,600 [8.7]	9,900 [2.9]	11.50	14.00	74	1,400 [661]	37,600 [11.0]	3.74	23,800 [7.0]	2.56	9.00
	RCFL-H*4824	39,500 [11.6]	29,600 [8.7]	9,900 [2.9]	11.50	14.00	74	1,400 [661]	38,500 [11.3]	3.88	24,600 [7.2]	2.60	9.00
	RCFL-H*4824(RGFE-09(E,N)ZCMS)	39,500 [11.6]	29,600 [8.7]	9,900 [2.9]	11.50	14.00	74	1,400 [661]	39,000 [11.4]	3.72	25,400 [7.4]	2.52	9.00
	RCFL-H*4824(RGFE-12(E,N)RCMS)	40,000 [11.7]	30,300 [8.9]	9,700 [2.8]	11.50	14.00	74	1,450 [684]	39,000 [11.4]	3.78	25,200 [7.4]	2.54	9.00
	RCFL-H*4824(RGFG-09EZCMS)	39,500 [11.6]	29,600 [8.7]	9,900 [2.9]	11.50	14.00	74	1,400 [661]	39,000 [11.4]	3.72	25,400 [7.4]	2.52	9.00
	RCFL-H*4824(RGFG-10EZCMS)	39,500 [11.6]	29,600 [8.7]	9,900 [2.9]	11.50	14.00	74	1,400 [661]	39,000 [11.4]	3.72	25,400 [7.4]	2.50	9.00
	RCFL-H*4824(RGFG-12ERCMS)	40,000 [11.7]	30,300 [8.9]	9,700 [2.8]	11.50	14.00	74	1,450 [684]	39,000 [11.4]	3.78	25,200 [7.4]	2.54	9.00
	RCFL-H*4824(RGGE-09(E,N)ZCMS)	39,500 [11.6]	29,600 [8.7]	9,900 [2.9]	11.50	14.00	74	1,400 [661]	39,000 [11.4]	3.78	25,200 [7.4]	2.54	9.00
	RCFL-H*4824(RGGE-10(E,N)ZCMS)	39,500 [11.6]	29,600 [8.7]	9,900 [2.9]	11.50	14.00	74	1,400 [661]	39,000 [11.4]	3.74	25,200 [7.4]	2.52	9.00
	RCFL-H*4824(RGGE-12(E,N)RCMS)	40,000 [11.7]	30,100 [8.8]	9,900 [2.9]	12.00	14.50	74	1,375 [649]	39,000 [11.4]	3.84	25,000 [7.3]	2.58	9.50
	RCFL-H*4824(RGJF-09(E,N)ZCMS)	39,500 [11.6]	29,600 [8.7]	9,900 [2.9]	11.50	14.00	74	1,400 [661]	39,000 [11.4]	3.78	25,200 [7.4]	2.54	9.00
	RCFL-H*4824(RGJF-10(E,N)ZCMS)	39,500 [11.6]	29,600 [8.7]	9,900 [2.9]	11.50	14.00	74	1,400 [661]	39,000 [11.4]	3.74	25,200 [7.4]	2.52	9.00
	RCFL-H*4824(RGJF-12(E,N)RCMS)	40,000 [11.7]	30,100 [8.8]	9,900 [2.9]	12.00	14.50	74	1,375 [649]	39,000 [11.4]	3.84	25,000 [7.3]	2.58	9.50
	RCFL-H*4824(RGLE-07(E,N)BRQR)	39,500 [11.6]	29,600 [8.7]	9,900 [2.9]	12.00	14.50	74	1,400 [661]	39,000 [11.4]	3.82	25,000 [7.3]	2.56	9.00
	RCFL-H*4824(RGLE-07?BRQ?)	39,500 [11.6]	29,600 [8.7]	9,900 [2.9]	12.00	14.50	74	1,400 [661]	39,000 [11.4]	3.82	25,000 [7.3]	2.56	9.00

① Highest sales volume tested combination required by D.O.E. test procedures.

[ ] Designates Metric Conversions



## Performance Data @ AHRI Standard Conditions—Cooling

Model Numbers		AHRI Cooling Performance							AHRI Heating Performance (70°F [21°C] Indoor)				
		80°F [26.5°C] DB/67°F [19.5°C] WB Indoor Air 95°F [35°C] DB Outdoor Air							Outdoor Air 47°F [8.5°C] DB/ 43°F [6°C] WB DOE High Temp.		Outdoor Air 17°F [-8.5°C] DB/ 15°F [-9.5°C] WB DOE Low Temp.		DOE Region IV HSPF
Outdoor Unit RPQL-	Indoor Coil and/or Air Handler	Total Capacity BTU/H [kW]	Net Sens. BTU/H [kW]	Net Latent BTU/H [kW]	EER	SEER	Snd. Rate dB	Indoor CFM [L/s]	BTU/H [kW]		COP		
									BTU/H [kW]	COP	BTU/H [kW]	COP	
Rev. 1/7/2013	RCFL-H*4824(RGLE-10(E,N)BRMR)	40,000 [11.7]	30,100 [8.8]	9,900 [2.9]	12.00	14.50	74	1,400 [661]	38,500 [11.3]	3.86	24,800 [7.3]	2.58	9.50
	RCFL-H*4824(RGLE-12(E,N)ARMR)	40,000 [11.7]	30,100 [8.8]	9,900 [2.9]	12.00	14.50	74	1,425 [672]	38,500 [11.3]	3.86	24,800 [7.3]	2.58	9.50
	RCFL-H*4824(RGLT-07(E,N)BRQR)	40,000 [11.7]	30,300 [8.9]	9,700 [2.8]	12.00	14.50	74	1,450 [684]	39,000 [11.4]	3.78	25,200 [7.4]	2.54	9.00
	RCFL-H*4824(RGLT-07?BRQ?)	40,000 [11.7]	30,300 [8.9]	9,700 [2.8]	12.00	14.50	74	1,450 [684]	39,000 [11.4]	3.78	25,200 [7.4]	2.54	9.00
	RCFL-H*4824(RGLT-10(E,N)BRMR)	39,500 [11.6]	29,600 [8.7]	9,900 [2.9]	12.00	14.50	74	1,425 [672]	39,000 [11.4]	3.80	25,000 [7.3]	2.56	9.00
	RCFL-H*4824(RGLT-10?BRM?)	39,500 [11.6]	29,600 [8.7]	9,900 [2.9]	12.00	14.50	74	1,425 [672]	39,000 [11.4]	3.80	25,000 [7.3]	2.56	9.00
	RCFL-H*4824(RGLT-12(E,N)ARMR)	40,000 [11.7]	30,100 [8.8]	9,900 [2.9]	12.50	15.00	74	1,375 [649]	38,500 [11.3]	3.86	24,800 [7.3]	2.60	9.50
	RCFL-H*4824(RGLT-12?ARM?)	40,000 [11.7]	30,100 [8.8]	9,900 [2.9]	12.50	15.00	74	1,375 [649]	38,500 [11.3]	3.86	24,800 [7.3]	2.60	9.50
	RCFL-H*4824(RGPE-07(E,N)BRQR)	40,000 [11.7]	30,100 [8.8]	9,900 [2.9]	12.00	14.50	74	1,400 [661]	39,000 [11.4]	3.84	25,000 [7.3]	2.58	9.50
	RCFL-H*4824(RGPE-10(E,N)BRMR)	39,500 [11.6]	29,600 [8.7]	9,900 [2.9]	12.00	14.50	74	1,400 [661]	39,000 [11.4]	3.82	25,000 [7.3]	2.58	9.50
	RCFL-H*4824(RGPE-12(E,N)ARMR)	40,000 [11.7]	30,100 [8.8]	9,900 [2.9]	12.00	14.50	74	1,425 [672]	38,500 [11.3]	3.86	24,800 [7.3]	2.58	9.50
	RCFL-H*4824(RGPT-07(E,N)BRQR)	39,500 [11.6]	29,600 [8.7]	9,900 [2.9]	12.00	14.50	74	1,425 [672]	39,000 [11.4]	3.80	25,000 [7.3]	2.56	9.00
	RCFL-H*4824(RGPT-07?BRQ?)	39,500 [11.6]	29,600 [8.7]	9,900 [2.9]	12.00	14.50	74	1,425 [672]	39,000 [11.4]	3.80	25,000 [7.3]	2.56	9.00
	RCFL-H*4824(RGPT-10?BRM?)	40,000 [11.7]	30,100 [8.8]	9,900 [2.9]	12.00	14.50	74	1,425 [672]	39,000 [11.4]	3.82	25,000 [7.3]	2.56	9.00
	RCFL-H*4824(RGPT-12(E,N)ARMR)	40,000 [11.7]	30,100 [8.8]	9,900 [2.9]	12.50	15.00	74	1,375 [649]	38,500 [11.3]	3.88	24,800 [7.3]	2.60	9.50
	RCFL-H*4824(RGPT-12?ARM?)	40,000 [11.7]	30,100 [8.8]	9,900 [2.9]	12.50	15.00	74	1,375 [649]	38,500 [11.3]	3.88	24,800 [7.3]	2.60	9.50
	RCFL-H*4824(RGRM-12(E,N)RAJS)	39,500 [11.6]	29,600 [8.7]	9,900 [2.9]	11.50	14.00	74	1,425 [672]	39,000 [11.4]	3.76	25,200 [7.4]	2.52	9.00
	RCFL-H*4824(RGTM-07(E,N)RBGS)	39,500 [11.6]	29,100 [8.5]	10,400 [3.0]	12.00	14.50	74	1,325 [625]	39,000 [11.4]	3.84	25,000 [7.3]	2.58	9.50
	RCFL-H*4824(RGTM-09(E,N)Zajs)	39,500 [11.6]	29,600 [8.7]	9,900 [2.9]	11.50	14.00	74	1,400 [661]	39,000 [11.4]	3.76	25,200 [7.4]	2.54	9.00
	RCFL-H*4824(RGTM-10(E,N)RBJS)	39,500 [11.6]	29,600 [8.7]	9,900 [2.9]	12.00	14.50	74	1,425 [672]	39,000 [11.4]	3.80	25,000 [7.3]	2.56	9.00
042JEZ	RCFL-H*4824(RHWB-08WRX60A)	40,000 [11.7]	30,300 [8.9]	9,700 [2.8]	12.00	14.50	74	1,450 [684]	39,000 [11.4]	3.80	25,000 [7.3]	2.54	9.00
	RCFL-H*4824(RHWB-10WRX60A)	40,000 [11.7]	29,800 [8.7]	10,200 [3.0]	12.50	15.00	74	1,350 [637]	38,500 [11.3]	3.88	24,600 [7.2]	2.60	9.00
	RCFL-H*4824(ROLA-070E04)	39,500 [11.6]	29,600 [8.7]	9,900 [2.9]	12.00	14.50	74	1,375 [649]	39,000 [11.4]	3.82	25,000 [7.3]	2.56	9.00
	RCFL-H*4824(ROLA-115E05)	39,500 [11.6]	29,600 [8.7]	9,900 [2.9]	12.00	14.50	74	1,400 [661]	39,000 [11.4]	3.80	25,000 [7.3]	2.56	9.00
	RCFL-H*4824+RXMD-C04	39,500 [11.6]	29,600 [8.7]	9,900 [2.9]	11.50	14.00	74	1,400 [661]	37,600 [11.0]	3.74	23,800 [7.0]	2.56	9.00
	RHKL-HM4821(RCSL-H*4821)	40,000 [11.7]	30,100 [8.8]	9,900 [2.9]	12.50	15.00	74	1,400 [661]	38,500 [11.3]	3.88	24,800 [7.3]	2.60	9.50
	RHLL-HM4821(RCSL-H*4821)	40,000 [11.7]	30,100 [8.8]	9,900 [2.9]	12.50	15.00	74	1,400 [661]	38,500 [11.3]	3.88	24,800 [7.3]	2.60	9.50
	RHSL-HM4221(RCSL-H*4821)	39,500 [11.6]	29,600 [8.7]	9,900 [2.9]	11.50	13.50	74	1,400 [661]	39,500 [11.6]	3.66	25,600 [7.5]	2.48	9.00

① Highest sales volume tested combination required by D.O.E. test procedures.

[ ] Designates Metric Conversions

## Performance Data @ AHRI Standard Conditions—Cooling

Model Numbers		AHRI Cooling Performance							AHRI Heating Performance (70°F [21°C] Indoor)				
		80°F [26.5°C] DB/67°F [19.5°C] WB Indoor Air 95°F [35°C] DB Outdoor Air							Outdoor Air 47°F [8.5°C] DB/ 43°F [6°C] WB DOE High Temp.		Outdoor Air 17°F [-8.5°C] DB/ 15°F [-9.5°C] WB DOE Low Temp.		DOE Region IV HSPF
Outdoor Unit RPQL-	Indoor Coil and/or Air Handler	Total Capacity BTU/H [kW]	Net Sens. BTU/H [kW]	Net Latent BTU/H [kW]	EER	SEER	Snd. Rate dB	Indoor CFM [L/s]	BTU/H [kW]	COP	BTU/H [kW]	COP	
Rev. 1/7/2013	RHLL-HM4821(RCSL-H*4821) ①	41,000 [12.0]	30,100 [8.8]	10,900 [3.2]	12.50	15.00	74	1,400 [661]	38,000 [11.1]	3.76	24,000 [7.0]	2.56	9.00
	RCFL-H*4821(RGFE-09(E,N)ZCMS)	40,500 [11.9]	29,600 [8.7]	10,900 [3.2]	11.50	14.00	74	1,400 [661]	38,500 [11.3]	3.62	24,400 [7.1]	2.48	8.50
043JEZ	RCFL-H*4821(RGFE-10(E,N)ZCMS)	40,500 [11.9]	29,900 [8.8]	10,600 [3.1]	11.50	14.00	74	1,425 [672]	38,500 [11.3]	3.60	24,600 [7.2]	2.48	8.50
	RCFL-H*4821(RGFG-09EZCMS)	40,500 [11.9]	29,600 [8.7]	10,900 [3.2]	11.50	14.00	74	1,400 [661]	38,500 [11.3]	3.62	24,400 [7.1]	2.48	8.50
	RCFL-H*4821(RGFG-10EZCMS)	40,500 [11.9]	29,600 [8.7]	10,900 [3.2]	11.50	14.00	74	1,400 [661]	38,500 [11.3]	3.60	24,600 [7.2]	2.48	8.50
	RCFL-H*4821(RGGE-09(E,N)ZCMS)	40,500 [11.9]	29,600 [8.7]	10,900 [3.2]	11.50	14.00	74	1,400 [661]	38,500 [11.3]	3.64	24,400 [7.1]	2.50	8.50
	RCFL-H*4821(RGGE-10(E,N)ZCMS)	40,500 [11.9]	29,600 [8.7]	10,900 [3.2]	11.50	14.00	74	1,400 [661]	38,500 [11.3]	3.62	24,400 [7.1]	2.48	8.50
	RCFL-H*4821(RGJF-09(E,N)ZCMS)	40,500 [11.9]	29,600 [8.7]	10,900 [3.2]	11.50	14.00	74	1,400 [661]	38,500 [11.3]	3.66	24,400 [7.1]	2.50	8.50
	RCFL-H*4821(RGJF-10(E,N)ZCMS)	40,500 [11.9]	29,600 [8.7]	10,900 [3.2]	11.50	14.00	74	1,400 [661]	38,500 [11.3]	3.62	24,400 [7.1]	2.50	8.50
	RCFL-H*4821(RGLE-07(E,N)BRQR)	41,000 [12.0]	30,100 [8.8]	10,900 [3.2]	12.00	14.50	74	1,400 [661]	38,000 [11.1]	3.68	24,200 [7.1]	2.52	8.50
	RCFL-H*4821(RGLE-07?BRQ?)	41,000 [12.0]	30,100 [8.8]	10,900 [3.2]	12.00	14.50	74	1,400 [661]	38,000 [11.1]	3.68	24,200 [7.1]	2.52	8.50
	RCFL-H*4821(RGLE-10(E,N)BRMR)	41,000 [12.0]	30,100 [8.8]	10,900 [3.2]	12.50	15.00	74	1,400 [661]	38,000 [11.1]	3.74	24,000 [7.0]	2.56	9.00
	RCFL-H*4821(RGLT-07(E,N)AMKR)	40,500 [11.9]	29,300 [8.6]	11,200 [3.3]	12.00	14.50	74	1,325 [625]	38,000 [11.1]	3.70	24,200 [7.1]	2.54	8.50
	RCFL-H*4821(RGLT-07?AMK?)	40,500 [11.9]	29,300 [8.6]	11,200 [3.3]	12.00	14.50	74	1,325 [625]	38,000 [11.1]	3.70	24,200 [7.1]	2.54	8.50
	RCFL-H*4821(RGLT-07(E,N)BRQR)	41,000 [12.0]	30,500 [8.9]	10,500 [3.1]	12.00	14.50	74	1,450 [684]	38,500 [11.3]	3.66	24,200 [7.1]	2.52	8.50
	RCFL-H*4821(RGLT-07?BRQ?)	41,000 [12.0]	30,500 [8.9]	10,500 [3.1]	12.00	14.50	74	1,450 [684]	38,500 [11.3]	3.66	24,200 [7.1]	2.52	8.50
	RCFL-H*4821(RGLT-10(E,N)BRMR)	41,000 [12.0]	30,400 [8.9]	10,600 [3.1]	12.00	14.50	74	1,425 [672]	38,000 [11.1]	3.68	24,200 [7.1]	2.52	8.50
	RCFL-H*4821(RGLT-10?BRM?)	41,000 [12.0]	30,400 [8.9]	10,600 [3.1]	12.00	14.50	74	1,425 [672]	38,000 [11.1]	3.68	24,200 [7.1]	2.52	8.50
	RCFL-H*4821(RGPE-07(E,N)BRQR)	41,000 [12.0]	30,100 [8.8]	10,900 [3.2]	12.00	14.50	74	1,400 [661]	38,000 [11.1]	3.70	24,200 [7.1]	2.54	8.50
	RCFL-H*4821(RGPE-10(E,N)BRMR)	41,000 [12.0]	30,100 [8.8]	10,900 [3.2]	12.00	14.50	74	1,400 [661]	38,000 [11.1]	3.70	24,200 [7.1]	2.54	8.50
	RCFL-H*4821(RGPT-07(E,N)AMKR)	40,500 [11.9]	29,600 [8.7]	10,900 [3.2]	11.50	14.00	74	1,350 [637]	38,500 [11.3]	3.60	24,600 [7.2]	2.48	8.50
	RCFL-H*4821(RGPT-07?AMK?)	40,500 [11.9]	29,600 [8.7]	10,900 [3.2]	11.50	14.00	74	1,350 [637]	38,500 [11.3]	3.60	24,600 [7.2]	2.48	8.50
RCFL-H*4821(RGPT-07(E,N)BRQR)	41,000 [12.0]	30,500 [8.9]	10,500 [3.1]	12.00	14.50	74	1,450 [684]	38,000 [11.1]	3.68	24,200 [7.1]	2.52	8.50	
RCFL-H*4821(RGPT-07?BRQ?)	41,000 [12.0]	30,500 [8.9]	10,500 [3.1]	12.00	14.50	74	1,450 [684]	38,000 [11.1]	3.68	24,200 [7.1]	2.52	8.50	
RCFL-H*4821(RGPT-10?BRM?)	41,000 [12.0]	30,400 [8.9]	10,600 [3.1]	12.00	14.50	74	1,425 [672]	38,000 [11.1]	3.68	24,200 [7.1]	2.52	8.50	
RCFL-H*4821(RGTM-07(E,N)RBGS)	40,500 [11.9]	29,300 [8.6]	11,200 [3.3]	12.00	14.50	74	1,325 [625]	38,000 [11.1]	3.72	24,200 [7.1]	2.54	8.50	
RCFL-H*4821(RGTM-09(E,N)ZAJ)	40,500 [11.9]	29,600 [8.7]	10,900 [3.2]	11.50	14.00	74	1,400 [661]	38,500 [11.3]	3.66	24,400 [7.1]	2.50	8.50	
RCFL-H*4821(RHWB-04WMX36A)	40,500 [11.9]	29,300 [8.6]	11,200 [3.3]	11.50	14.00	74	1,325 [625]	38,500 [11.3]	3.64	24,400 [7.1]	2.50	8.50	

① Highest sales volume tested combination required by D.O.E. test procedures.

[ ] Designates Metric Conversions

## Performance Data @ AHRI Standard Conditions—Cooling

Model Numbers		AHRI Cooling Performance							AHRI Heating Performance (70°F [21°C] Indoor)				
		80°F [26.5°C] DB/67°F [19.5°C] WB Indoor Air 95°F [35°C] DB Outdoor Air							Outdoor Air 47°F [8.5°C] DB/ 43°F [6°C] WB DOE High Temp.		Outdoor Air 17°F [-8.5°C] DB/ 15°F [-9.5°C] WB DOE Low Temp.		DOE Region IV HSPF
Outdoor Unit RPQL-	Indoor Coil and/or Air Handler	Total Capacity BTU/H [kW]	Net Sens. BTU/H [kW]	Net Latent BTU/H [kW]	EER	SEER	Snd. Rate dB	Indoor CFM [L/s]	BTU/H [kW]		COP		
									BTU/H [kW]	COP	BTU/H [kW]	COP	
Rev. 1/7/2013	RCFL-H*4821(RHWB-06WMX48A)	40,500 [11.9]	29,300 [8.6]	11,200 [3.3]	11.50	14.00	74	1,325 [625]	38,500 [11.3]	3.64	24,400 [7.1]	2.50	8.50
	RCFL-H*4821(ROLA-070E04)	41,000 [12.0]	30,100 [8.8]	10,900 [3.2]	12.00	14.50	74	1,375 [649]	38,000 [11.1]	3.70	24,200 [7.1]	2.52	8.50
	RCFL-H*4821(ROLA-115E05)	41,000 [12.0]	30,100 [8.8]	10,900 [3.2]	12.00	14.50	74	1,400 [661]	38,000 [11.1]	3.68	24,200 [7.1]	2.52	8.50
	RCFL-H*4821+RXMD-C04	40,500 [11.9]	29,600 [8.7]	10,900 [3.2]	11.50	14.00	74	1,375 [649]	37,000 [10.8]	3.64	23,000 [6.7]	2.54	8.20
	RCFL-H*4824(RGFE-09(E,N)ZCMS)	40,500 [11.9]	29,600 [8.7]	10,900 [3.2]	11.50	14.00	74	1,400 [661]	38,500 [11.3]	3.62	24,600 [7.2]	2.48	8.50
	RCFL-H*4824(RGFE-10(E,N)ZCMS)	40,500 [11.9]	29,900 [8.8]	10,600 [3.1]	11.50	14.00	74	1,425 [672]	38,500 [11.3]	3.58	24,600 [7.2]	2.46	8.50
	RCFL-H*4824(RGFE-12(E,N)RCMS)	41,000 [12.0]	30,500 [8.9]	10,500 [3.1]	12.00	14.50	74	1,450 [684]	38,500 [11.3]	3.64	24,400 [7.1]	2.50	8.50
	RCFL-H*4824(RGFG-09EZCMS)	40,500 [11.9]	29,600 [8.7]	10,900 [3.2]	11.50	14.00	74	1,400 [661]	38,500 [11.3]	3.62	24,600 [7.2]	2.48	8.50
	RCFL-H*4824(RGFG-10EZCMS)	40,500 [11.9]	29,600 [8.7]	10,900 [3.2]	11.50	14.00	74	1,400 [661]	38,500 [11.3]	3.60	24,600 [7.2]	2.48	8.50
	RCFL-H*4824(RGFG-12ERCMS)	41,000 [12.0]	30,500 [8.9]	10,500 [3.1]	12.00	14.50	74	1,450 [684]	38,500 [11.3]	3.64	24,400 [7.1]	2.50	8.50
	RCFL-H*4824(RGGE-09(E,N)ZCMS)	40,500 [11.9]	29,600 [8.7]	10,900 [3.2]	11.50	14.00	74	1,400 [661]	38,500 [11.3]	3.64	24,400 [7.1]	2.50	8.50
	RCFL-H*4824(RGGE-10(E,N)ZCMS)	40,500 [11.9]	29,600 [8.7]	10,900 [3.2]	11.50	14.00	74	1,400 [661]	38,500 [11.3]	3.62	24,400 [7.1]	2.48	8.50
	RCFL-H*4824(RGGE-12(E,N)RCMS)	41,000 [12.0]	30,100 [8.8]	10,900 [3.2]	12.00	14.50	74	1,375 [649]	38,000 [11.1]	3.72	24,200 [7.1]	2.54	8.50
	RCFL-H*4824(RGJF-09(E,N)ZCMS)	40,500 [11.9]	29,600 [8.7]	10,900 [3.2]	11.50	14.00	74	1,400 [661]	38,500 [11.3]	3.66	24,400 [7.1]	2.50	8.50
	RCFL-H*4824(RGJF-10(E,N)ZCMS)	40,500 [11.9]	29,600 [8.7]	10,900 [3.2]	11.50	14.00	74	1,400 [661]	38,500 [11.3]	3.62	24,400 [7.1]	2.50	8.50
	RCFL-H*4824(RGJF-12(E,N)RCMS)	41,000 [12.0]	30,100 [8.8]	10,900 [3.2]	12.00	14.50	74	1,375 [649]	38,000 [11.1]	3.72	24,200 [7.1]	2.54	8.50
	RCFL-H*4824(RGLE-07(E,N)BRQR)	41,000 [12.0]	30,100 [8.8]	10,900 [3.2]	12.00	14.50	74	1,400 [661]	38,000 [11.1]	3.68	24,200 [7.1]	2.52	8.50
	RCFL-H*4824(RGLE-07?BRQ?)	41,000 [12.0]	30,100 [8.8]	10,900 [3.2]	12.00	14.50	74	1,400 [661]	38,000 [11.1]	3.68	24,200 [7.1]	2.52	8.50
	RCFL-H*4824(RGLE-10(E,N)BRMR)	41,000 [12.0]	30,100 [8.8]	10,900 [3.2]	12.50	15.00	74	1,400 [661]	38,000 [11.1]	3.74	24,000 [7.0]	2.56	9.00
	RCFL-H*4824(RGLE-12(E,N)ARMR)	41,000 [12.0]	30,400 [8.9]	10,600 [3.1]	12.50	15.00	74	1,425 [672]	38,000 [11.1]	3.72	24,000 [7.0]	2.56	9.00
RCFL-H*4824(RGLT-07(E,N)BRQR)	41,000 [12.0]	30,500 [8.9]	10,500 [3.1]	12.00	14.50	74	1,450 [684]	38,500 [11.3]	3.66	24,200 [7.1]	2.52	8.50	
RCFL-H*4824(RGLT-07?BRQ?)	41,000 [12.0]	30,500 [8.9]	10,500 [3.1]	12.00	14.50	74	1,450 [684]	38,500 [11.3]	3.66	24,200 [7.1]	2.52	8.50	
RCFL-H*4824(RGLT-10(E,N)BRMR)	41,000 [12.0]	30,400 [8.9]	10,600 [3.1]	12.00	14.50	74	1,425 [672]	38,000 [11.1]	3.68	24,200 [7.1]	2.52	8.50	
RCFL-H*4824(RGLT-10?BRM?)	41,000 [12.0]	30,400 [8.9]	10,600 [3.1]	12.00	14.50	74	1,425 [672]	38,000 [11.1]	3.68	24,200 [7.1]	2.52	8.50	
RCFL-H*4824(RGLT-12(E,N)ARMR)	41,000 [12.0]	30,100 [8.8]	10,900 [3.2]	12.50	15.00	74	1,375 [649]	38,000 [11.1]	3.74	24,000 [7.0]	2.56	9.00	
RCFL-H*4824(RGLT-12?ARM?)	41,000 [12.0]	30,100 [8.8]	10,900 [3.2]	12.50	15.00	74	1,375 [649]	38,000 [11.1]	3.74	24,000 [7.0]	2.56	9.00	
RCFL-H*4824(RGPE-07(E,N)BRQR)	41,000 [12.0]	30,100 [8.8]	10,900 [3.2]	12.00	14.50	74	1,400 [661]	38,000 [11.1]	3.70	24,200 [7.1]	2.54	8.50	
RCFL-H*4824(RGPE-10(E,N)BRMR)	41,000 [12.0]	30,100 [8.8]	10,900 [3.2]	12.00	14.50	74	1,400 [661]	38,000 [11.1]	3.70	24,200 [7.1]	2.54	8.50	

① Highest sales volume tested combination required by D.O.E. test procedures.

[ ] Designates Metric Conversions



## Performance Data @ AHRI Standard Conditions—Cooling

Model Numbers		AHRI Cooling Performance							AHRI Heating Performance (70°F [21°C] Indoor)				
		80°F [26.5°C] DB/67°F [19.5°C] WB Indoor Air 95°F [35°C] DB Outdoor Air							Outdoor Air 47°F [8.5°C] DB/ 43°F [6°C] WB DOE High Temp.		Outdoor Air 17°F [-8.5°C] DB/ 15°F [-9.5°C] WB DOE Low Temp.		DOE Region IV HSPF
Outdoor Unit RPQL-	Indoor Coil and/or Air Handler	Total Capacity BTU/H [kW]	Net Sens. BTU/H [kW]	Net Latent BTU/H [kW]	EER	SEER	Snd. Rate dB	Indoor CFM [L/s]	BTU/H [kW]	COP	BTU/H [kW]	COP	
Rev. 1/7/2013	RCFL-H*4824(RGPE-12(E,N)ARMR)	41,000 [12.0]	30,400 [8.9]	10,600 [3.1]	12.50	15.00	74	1,425 [672]	38,000 [11.1]	3.72	24,000 [7.0]	2.56	9.00
	RCFL-H*4824(RGPT-07(E,N)BRQR)	41,000 [12.0]	30,500 [8.9]	10,500 [3.1]	12.00	14.50	74	1,450 [684]	38,000 [11.1]	3.68	24,200 [7.1]	2.52	8.50
	RCFL-H*4824(RGPT-07?BRQ?)	41,000 [12.0]	30,500 [8.9]	10,500 [3.1]	12.00	14.50	74	1,450 [684]	38,000 [11.1]	3.68	24,200 [7.1]	2.52	8.50
	RCFL-H*4824(RGPT-10?BRM?)	41,000 [12.0]	30,400 [8.9]	10,600 [3.1]	12.00	14.50	74	1,425 [672]	38,000 [11.1]	3.68	24,200 [7.1]	2.52	8.50
	RCFL-H*4824(RGPT-12(E,N)ARMR)	41,000 [12.0]	30,100 [8.8]	10,900 [3.2]	12.50	15.00	74	1,375 [649]	38,000 [11.1]	3.74	24,000 [7.0]	2.56	9.00
	RCFL-H*4824(RGPT-12?ARM?)	41,000 [12.0]	30,100 [8.8]	10,900 [3.2]	12.50	15.00	74	1,375 [649]	38,000 [11.1]	3.74	24,000 [7.0]	2.56	9.00
	RCFL-H*4824(RGRM-12(E,N)RAJS)	41,000 [12.0]	30,400 [8.9]	10,600 [3.1]	11.50	14.00	74	1,425 [672]	38,500 [11.3]	3.64	24,400 [7.1]	2.50	8.50
	RCFL-H*4824(RGTM-07(E,N)RBGS)	40,500 [11.9]	29,300 [8.6]	11,200 [3.3]	12.00	14.50	74	1,325 [625]	38,000 [11.1]	3.72	24,200 [7.1]	2.54	8.50
	RCFL-H*4824(RGTM-09(E,N)Zajs)	40,500 [11.9]	29,600 [8.7]	10,900 [3.2]	11.50	14.00	74	1,400 [661]	38,500 [11.3]	3.64	24,400 [7.1]	2.50	8.50
	RCFL-H*4824(RGTM-10(E,N)RBJS)	41,000 [12.0]	30,400 [8.9]	10,600 [3.1]	12.00	14.50	74	1,425 [672]	38,000 [11.1]	3.68	24,200 [7.1]	2.52	8.50
	RCFL-H*4824(RHWP-08WRX60A)	41,000 [12.0]	30,100 [8.8]	10,900 [3.2]	12.50	15.00	74	1,350 [637]	38,000 [11.1]	3.76	24,000 [7.0]	2.56	9.00
	RCFL-H*4824(RHWP-10WRX60A)	41,000 [12.0]	30,100 [8.8]	10,900 [3.2]	12.50	15.00	74	1,400 [661]	38,000 [11.1]	3.76	24,000 [7.0]	2.58	9.00
	RCFL-H*4824(ROLA-070E04)	41,000 [12.0]	30,100 [8.8]	10,900 [3.2]	12.00	14.50	74	1,375 [649]	38,000 [11.1]	3.68	24,200 [7.1]	2.52	8.50
	RCFL-H*4824(ROLA-115E05)	40,500 [11.9]	29,600 [8.7]	10,900 [3.2]	12.00	14.50	74	1,400 [661]	38,000 [11.1]	3.68	24,200 [7.1]	2.52	8.50
	RCFL-H*4824+RXMD-C04	40,500 [11.9]	29,600 [8.7]	10,900 [3.2]	11.50	14.00	74	1,375 [649]	37,000 [10.8]	3.64	23,000 [6.7]	2.54	8.50
	RHKL-HM4821(RCSL-H*4821)	41,000 [12.0]	30,100 [8.8]	10,900 [3.2]	12.50	15.00	74	1,400 [661]	38,000 [11.1]	3.76	24,000 [7.0]	2.56	9.00
	RHSL-HM4221(RCSL-H*4821)	40,500 [11.9]	29,600 [8.7]	10,900 [3.2]	11.50	13.50	74	1,400 [661]	38,500 [11.3]	3.54	24,800 [7.3]	2.44	8.20
	048JEZ	RHLL-HM4821(RCSL-H*4821) ①	45,500 [13.3]	34,900 [10.2]	10,600 [3.1]	12.50	15.00	74	1,600 [755]	45,500 [13.3]	3.76	29,200 [8.6]	2.44
RCFL-H*4821		44,500 [13.0]	33,200 [9.7]	11,300 [3.3]	11.50	14.00	74	1,475 [696]	43,500 [12.7]	3.48	27,400 [8.0]	2.34	8.20
RCFL-H*4821(RGFE-09(E,N)ZCMS)		44,000 [12.9]	32,200 [9.4]	11,800 [3.5]	11.50	14.00	74	1,400 [661]	45,000 [13.2]	3.58	28,400 [8.3]	2.32	8.20
RCFL-H*4821(RGFE-10(E,N)ZCMS)		44,000 [12.9]	32,400 [9.5]	11,600 [3.4]	11.50	14.00	74	1,425 [672]	44,500 [13.0]	3.50	28,400 [8.3]	2.30	8.20
RCFL-H*4821(RGFG-09EZCMS)		44,000 [12.9]	32,200 [9.4]	11,800 [3.5]	11.50	14.00	74	1,400 [661]	45,000 [13.2]	3.58	29,400 [8.6]	2.30	8.20
RCFL-H*4821(RGFG-10EZCMS)		44,000 [12.9]	32,200 [9.4]	11,800 [3.5]	11.50	14.00	74	1,400 [661]	45,000 [13.2]	3.56	29,400 [8.6]	2.30	8.20
RCFL-H*4821(RGGE-09(E,N)ZCMS)		44,500 [13.0]	33,000 [9.7]	11,500 [3.4]	11.50	14.00	74	1,400 [661]	45,000 [13.2]	3.64	29,400 [8.6]	2.36	8.20
RCFL-H*4821(RGGE-10(E,N)ZCMS)		44,000 [12.9]	32,200 [9.4]	11,800 [3.5]	11.50	14.00	74	1,400 [661]	45,000 [13.2]	3.58	29,400 [8.6]	2.34	8.20
RCFL-H*4821(RGJF-09(E,N)ZCMS)		44,500 [13.0]	33,000 [9.7]	11,500 [3.4]	11.50	14.00	74	1,400 [661]	45,000 [13.2]	3.62	29,400 [8.6]	2.36	8.20
RCFL-H*4821(RGJF-10(E,N)ZCMS)		44,000 [12.9]	32,200 [9.4]	11,800 [3.5]	11.50	14.00	74	1,400 [661]	45,000 [13.2]	3.58	29,200 [8.6]	2.32	8.20
RCFL-H*4821(RGLE-07(E,N)BRQR)		44,500 [13.0]	32,700 [9.6]	11,800 [3.5]	12.00	14.50	74	1,400 [661]	45,000 [13.2]	3.66	29,200 [8.6]	2.36	8.20

① Highest sales volume tested combination required by D.O.E. test procedures.

[ ] Designates Metric Conversions





## Performance Data @ AHRI Standard Conditions—Cooling

Model Numbers		AHRI Cooling Performance							AHRI Heating Performance (70°F [21°C] Indoor)				
		80°F [26.5°C] DB/67°F [19.5°C] WB Indoor Air 95°F [35°C] DB Outdoor Air							Outdoor Air 47°F [8.5°C] DB/ 43°F [6°C] WB DOE High Temp.		Outdoor Air 17°F [-8.5°C] DB/ 15°F [-9.5°C] WB DOE Low Temp.		DOE Region IV HSPF
Outdoor Unit RPQL-	Indoor Coil and/or Air Handler	Total Capacity BTU/H [kW]	Net Sens. BTU/H [kW]	Net Latent BTU/H [kW]	EER	SEER	Snd. Rate dB	Indoor CFM [L/s]	BTU/H [kW]	COP	BTU/H [kW]	COP	
Rev. 1/7/2013	RCFL-H*4821(RGLE-07?BRQ?)	44,500 [13.0]	32,700 [9.6]	11,800 [3.5]	12.00	14.50	74	1,400 [661]	45,000 [13.2]	3.66	29,200 [8.6]	2.36	8.20
	RCFL-H*4821(RGLE-10(E,N)BRMR)	45,500 [13.3]	33,500 [9.8]	12,000 [3.5]	12.50	15.00	74	1,400 [661]	45,000 [13.2]	3.78	28,600 [8.4]	2.42	8.50
	RCFL-H*4821(RGLT-07(E,N)AMKR)	44,500 [13.0]	32,900 [9.6]	11,600 [3.4]	11.50	14.00	74	1,425 [672]	45,000 [13.2]	3.70	29,000 [8.5]	2.38	8.20
	RCFL-H*4821(RGLT-07?AMK?)	44,500 [13.0]	32,900 [9.6]	11,600 [3.4]	11.50	14.00	74	1,425 [672]	45,000 [13.2]	3.70	29,000 [8.5]	2.38	8.20
	RCFL-H*4821(RGLT-07(E,N)BRQR)	44,500 [13.0]	32,800 [9.6]	11,700 [3.4]	12.00	14.50	74	1,425 [672]	45,000 [13.2]	3.72	28,600 [8.4]	2.38	8.50
	RCFL-H*4821(RGLT-07?BRQ?)	44,500 [13.0]	32,800 [9.6]	11,700 [3.4]	12.00	14.50	74	1,425 [672]	45,000 [13.2]	3.72	28,600 [8.4]	2.38	8.50
	RCFL-H*4821(RGLT-10(E,N)BRMR)	44,500 [13.0]	32,700 [9.6]	11,800 [3.5]	12.00	14.50	74	1,400 [661]	45,000 [13.2]	3.74	28,600 [8.4]	2.38	8.50
	RCFL-H*4821(RGLT-10?BRM?)	44,500 [13.0]	32,700 [9.6]	11,800 [3.5]	12.00	14.50	74	1,400 [661]	45,000 [13.2]	3.74	28,600 [8.4]	2.38	8.50
	RCFL-H*4821(RGPE-07(E,N)BRQR)	44,500 [13.0]	32,700 [9.6]	11,800 [3.5]	12.50	15.00	74	1,400 [661]	45,000 [13.2]	3.68	28,600 [8.4]	2.38	8.50
	RCFL-H*4821(RGPE-10(E,N)BRMR)	44,500 [13.0]	32,700 [9.6]	11,800 [3.5]	12.50	15.00	74	1,400 [661]	45,000 [13.2]	3.68	28,600 [8.4]	2.38	8.50
	RCFL-H*4821(RGPT-07(E,N)BRQR)	44,500 [13.0]	32,800 [9.6]	11,700 [3.4]	12.50	14.50	74	1,425 [672]	45,000 [13.2]	3.74	28,600 [8.4]	2.38	8.50
	RCFL-H*4821(RGPT-07?BRQ?)	44,500 [13.0]	32,800 [9.6]	11,700 [3.4]	12.50	14.50	74	1,425 [672]	45,000 [13.2]	3.74	28,600 [8.4]	2.38	8.50
	RCFL-H*4821(RGPT-10?BRM?)	45,000 [13.2]	33,300 [9.8]	11,700 [3.4]	12.50	14.50	74	1,425 [672]	45,000 [13.2]	3.74	28,600 [8.4]	2.40	8.50
	RCFL-H*4821(RGRM-09(E,N)ZAJJS)	44,000 [12.9]	32,200 [9.4]	11,800 [3.5]	11.50	14.00	74	1,400 [661]	45,500 [13.3]	3.58	29,200 [8.6]	2.32	8.20
	RCFL-H*4821(RGRM-10(E,N)ZAJJS)	45,000 [13.2]	33,200 [9.7]	11,800 [3.5]	11.50	14.00	74	1,425 [672]	45,500 [13.3]	3.64	29,200 [8.6]	2.34	8.20
	RCFL-H*4821(RGTM-07(E,N)RBGS)	44,500 [13.0]	33,000 [9.7]	11,500 [3.4]	11.50	14.00	74	1,475 [696]	45,000 [13.2]	3.58	29,200 [8.6]	2.32	8.20
	RCFL-H*4821(RGTM-09(E,N)ZAJJS)	44,500 [13.0]	33,000 [9.7]	11,500 [3.4]	11.50	14.00	74	1,400 [661]	45,000 [13.2]	3.64	29,400 [8.6]	2.36	8.20
	RCFL-H*4821(ROCA-070E04)	44,500 [13.0]	32,500 [9.5]	12,000 [3.5]	11.50	14.00	74	1,400 [661]	45,500 [13.3]	3.64	29,200 [8.6]	2.36	8.20
	RCFL-H*4821(ROLA-070E04)	45,000 [13.2]	32,900 [9.6]	12,100 [3.5]	11.50	14.00	74	1,375 [649]	45,000 [13.2]	3.74	28,800 [8.4]	2.40	8.20
	RCFL-H*4821(ROLA-115E05)	44,500 [13.0]	32,800 [9.6]	11,700 [3.4]	12.00	14.50	74	1,400 [661]	45,000 [13.2]	3.68	28,800 [8.4]	2.36	8.20
RCFL-H*4824	44,500 [13.0]	33,200 [9.7]	11,300 [3.3]	11.50	14.00	74	1,475 [696]	43,500 [12.7]	3.48	27,400 [8.0]	2.34	8.20	
RCFL-H*4824(RGFE-09(E,N)ZCMS)	44,000 [12.9]	32,200 [9.4]	11,800 [3.5]	11.50	14.00	74	1,400 [661]	45,000 [13.2]	3.56	28,400 [8.3]	2.32	8.20	
RCFL-H*4824(RGFE-10(E,N)ZCMS)	44,000 [12.9]	32,200 [9.4]	11,800 [3.5]	11.50	14.00	74	1,425 [672]	44,500 [13.0]	3.56	28,400 [8.3]	2.22	8.20	
RCFL-H*4824(RGFE-12(E,N)RCMS)	44,500 [13.0]	33,000 [9.7]	11,500 [3.4]	11.50	14.00	74	1,450 [684]	45,000 [13.2]	3.60	29,200 [8.6]	2.34	8.20	
RCFL-H*4824(RGFG-09EZCMS)	44,000 [12.9]	32,200 [9.4]	11,800 [3.5]	11.50	14.00	74	1,400 [661]	45,000 [13.2]	3.56	29,400 [8.6]	2.32	8.20	
RCFL-H*4824(RGFG-10EZCMS)	44,000 [12.9]	32,200 [9.4]	11,800 [3.5]	11.50	14.00	74	1,400 [661]	45,000 [13.2]	3.56	29,400 [8.6]	2.32	8.20	
RCFL-H*4824(RGFG-12ERCMS)	44,500 [13.0]	33,000 [9.7]	11,500 [3.4]	11.50	14.00	74	1,450 [684]	45,000 [13.2]	3.60	29,000 [8.5]	2.32	8.20	
RCFL-H*4824(RGGE-09(E,N)ZCMS)	44,500 [13.0]	32,700 [9.6]	11,800 [3.5]	11.50	14.00	74	1,400 [661]	45,000 [13.2]	3.64	29,400 [8.6]	2.36	8.20	

① Highest sales volume tested combination required by D.O.E. test procedures.

[ ] Designates Metric Conversions

## Performance Data @ AHRI Standard Conditions—Cooling

Model Numbers		AHRI Cooling Performance							AHRI Heating Performance (70°F [21°C] Indoor)				
		80°F [26.5°C] DB/67°F [19.5°C] WB Indoor Air 95°F [35°C] DB Outdoor Air							Outdoor Air 47°F [8.5°C] DB/ 43°F [6°C] WB DOE High Temp.		Outdoor Air 17°F [-8.5°C] DB/ 15°F [-9.5°C] WB DOE Low Temp.		DOE Region IV HSPF
Outdoor Unit RPQL-	Indoor Coil and/or Air Handler	Total Capacity BTU/H [kW]	Net Sens. BTU/H [kW]	Net Latent BTU/H [kW]	EER	SEER	Snd. Rate dB	Indoor CFM [L/s]	BTU/H [kW]	COP	BTU/H [kW]	COP	
Rev. 1/7/2013	RCFL-H*4824(RGGE-10(E,N)ZCMS)	44,000 [12.9]	32,200 [9.4]	11,800 [3.5]	11.50	14.00	74	1,400 [661]	45,000 [13.2]	3.58	29,400 [8.6]	2.32	8.20
	RCFL-H*4824(RGGE-12(E,N)RCMS)	44,500 [13.0]	32,500 [9.5]	12,000 [3.5]	12.50	15.00	74	1,375 [649]	45,000 [13.2]	3.72	29,200 [8.6]	2.38	8.50
	RCFL-H*4824(RGJF-09(E,N)ZCMS)	44,500 [13.0]	32,500 [9.5]	12,000 [3.5]	11.50	14.00	74	1,400 [661]	45,000 [13.2]	3.62	29,400 [8.6]	2.36	8.20
	RCFL-H*4824(RGJF-10(E,N)ZCMS)	44,000 [12.9]	32,300 [9.5]	11,700 [3.4]	11.50	14.00	74	1,400 [661]	45,000 [13.2]	3.58	29,200 [8.6]	2.32	8.20
	RCFL-H*4824(RGJF-12(E,N)RCMS)	44,500 [13.0]	32,700 [9.6]	11,800 [3.5]	12.50	15.00	74	1,375 [649]	45,000 [13.2]	3.72	29,200 [8.6]	2.40	8.50
	RCFL-H*4824(RGLE-07(E,N)BRQR)	44,500 [13.0]	32,700 [9.6]	11,800 [3.5]	12.00	14.50	74	1,400 [661]	45,000 [13.2]	3.66	29,200 [8.6]	2.36	8.20
	RCFL-H*4824(RGLE-07?BRQ?)	44,500 [13.0]	32,700 [9.6]	11,800 [3.5]	12.00	14.50	74	1,400 [661]	45,000 [13.2]	3.66	29,200 [8.6]	2.36	8.20
	RCFL-H*4824(RGLE-10(E,N)BRMR)	45,500 [13.3]	33,500 [9.8]	12,000 [3.5]	12.50	15.00	74	1,400 [661]	45,500 [13.3]	3.76	29,400 [8.6]	2.42	8.50
	RCFL-H*4824(RGLE-12(E,N)ARMR)	45,000 [13.2]	33,200 [9.7]	11,800 [3.5]	12.50	15.00	74	1,425 [672]	45,000 [13.2]	3.74	28,600 [8.4]	2.40	8.50
	RCFL-H*4824(RGLT-07(E,N)BRQR)	44,500 [13.0]	32,800 [9.6]	11,700 [3.4]	12.00	14.50	74	1,425 [672]	45,000 [13.2]	3.72	28,600 [8.4]	2.38	8.50
	RCFL-H*4824(RGLT-07?BRQ?)	44,500 [13.0]	32,800 [9.6]	11,700 [3.4]	12.00	14.50	74	1,425 [672]	45,000 [13.2]	3.72	28,600 [8.4]	2.38	8.50
	RCFL-H*4824(RGLT-10(E,N)BRMR)	44,500 [13.0]	32,700 [9.6]	11,800 [3.5]	12.00	14.50	74	1,400 [661]	45,000 [13.2]	3.74	28,600 [8.4]	2.38	8.50
RCFL-H*4824(RGLT-10?BRM?)	44,500 [13.0]	32,700 [9.6]	11,800 [3.5]	12.00	14.50	74	1,400 [661]	45,000 [13.2]	3.74	28,600 [8.4]	2.38	8.50	
048JEZ	RCFL-H*4824(RGPE-07(E,N)BRQR)	44,500 [13.0]	32,700 [9.6]	11,800 [3.5]	12.00	14.50	74	1,400 [661]	45,000 [13.2]	3.70	28,600 [8.4]	2.38	8.50
	RCFL-H*4824(RGPE-10(E,N)BRMR)	44,500 [13.0]	32,700 [9.6]	11,800 [3.5]	12.00	14.50	74	1,400 [661]	45,000 [13.2]	3.70	28,600 [8.4]	2.38	8.50
	RCFL-H*4824(RGPE-12(E,N)ARMR)	45,000 [13.2]	33,200 [9.7]	11,800 [3.5]	12.50	15.00	74	1,425 [672]	45,000 [13.2]	3.70	28,600 [8.4]	2.40	8.50
	RCFL-H*4824(RGPT-07(E,N)BRQR)	44,500 [13.0]	32,800 [9.6]	11,700 [3.4]	12.50	14.50	74	1,425 [672]	45,000 [13.2]	3.74	28,600 [8.4]	2.38	8.50
	RCFL-H*4824(RGPT-07?BRQ?)	44,500 [13.0]	32,800 [9.6]	11,700 [3.4]	12.50	14.50	74	1,425 [672]	45,000 [13.2]	3.74	28,600 [8.4]	2.38	8.50
	RCFL-H*4824(RGPT-10?BRM?)	44,500 [13.0]	32,700 [9.6]	11,800 [3.5]	12.50	14.50	74	1,400 [661]	45,000 [13.2]	3.74	28,600 [8.4]	2.38	8.50
	RCFL-H*4824(RGRM-09(E,N)ZAJJS)	44,000 [12.9]	32,200 [9.4]	11,800 [3.5]	11.50	14.00	74	1,400 [661]	45,500 [13.3]	3.58	29,200 [8.6]	2.32	8.20
	RCFL-H*4824(RGRM-10(E,N)ZAJJS)	45,000 [13.2]	33,000 [9.7]	12,000 [3.5]	11.50	14.00	74	1,425 [672]	45,500 [13.3]	3.62	29,200 [8.6]	2.34	8.20
	RCFL-H*4824(RGRM-12(E,N)RAJJS)	44,500 [13.0]	32,700 [9.6]	11,800 [3.5]	11.50	14.00	74	1,425 [672]	45,000 [13.2]	3.64	29,000 [8.5]	2.32	8.20
	RCFL-H*4824(RGTM-07(E,N)RBGS)	44,500 [13.0]	33,000 [9.7]	11,500 [3.4]	11.50	14.00	74	1,475 [696]	45,000 [13.2]	3.58	29,200 [8.6]	2.32	8.20
	RCFL-H*4824(RGTM-09(E,N)ZAJJS)	44,500 [13.0]	32,700 [9.6]	11,800 [3.5]	11.50	14.00	74	1,400 [661]	45,000 [13.2]	3.64	29,400 [8.6]	2.36	8.20
	RCFL-H*4824(RGTM-10(E,N)RBJS)	44,500 [13.0]	32,700 [9.6]	11,800 [3.5]	12.00	14.50	74	1,425 [672]	45,000 [13.2]	3.68	28,800 [8.4]	2.36	8.20
	RCFL-H*4824(RHWP-08WRX60A)	45,500 [13.3]	34,000 [10.0]	11,500 [3.4]	12.50	15.00	74	1,450 [684]	45,000 [13.2]	3.76	28,600 [8.4]	2.40	8.50
	RCFL-H*4824(RHWP-10WRX60A)	45,500 [13.3]	34,000 [10.0]	11,500 [3.4]	12.50	15.00	74	1,475 [696]	45,000 [13.2]	3.76	28,600 [8.4]	2.42	8.50
	RCFL-H*4824(ROCA-070E04)	44,500 [13.0]	32,500 [9.5]	12,000 [3.5]	11.50	14.00	74	1,400 [661]	45,500 [13.3]	3.64	29,200 [8.6]	2.36	8.20
	RCFL-H*4824(ROLA-070E04)	44,500 [13.0]	32,500 [9.5]	12,000 [3.5]	12.00	14.50	74	1,375 [649]	45,000 [13.2]	3.74	28,800 [8.4]	2.40	8.20

① Highest sales volume tested combination required by D.O.E. test procedures.

[ ] Designates Metric Conversions

**Performance Data @ AHRI Standard Conditions—Cooling**

Model Numbers		AHRI Cooling Performance							AHRI Heating Performance (70°F [21°C] Indoor)				
		80°F [26.5°C] DB/67°F [19.5°C] WB Indoor Air 95°F [35°C] DB Outdoor Air							Outdoor Air 47°F [8.5°C] DB/ 43°F [6°C] WB DOE High Temp.		Outdoor Air 17°F [-8.5°C] DB/ 15°F [-9.5°C] WB DOE Low Temp.		DOE Region IV HSPF
Outdoor Unit RPQL-	Indoor Coil and/or Air Handler	Total Capacity BTU/H [kW]	Net Sens. BTU/H [kW]	Net Latent BTU/H [kW]	EER	SEER	Snd. Rate dB	Indoor CFM [L/s]	BTU/H [kW]	COP	BTU/H [kW]	COP	
									Rev. 1/7/2013  048JEZ	RCFL-H*4824(ROLA-115E05)	44,500 [13.0]	32,700 [9.6]	11,800 [3.5]
RHKL-HM4821(RCSL-H*4821)	45,000 [13.2]	33,100 [9.7]	11,900 [3.5]	12.50	15.00	74	1,400 [661]	44,500 [13.0]		3.70	28,400 [8.3]	2.40	8.50
RHSL-HM4821(RCSL-H*4821)	45,000 [13.2]	34,000 [10.0]	11,000 [3.2]	11.50	14.00	74	1,550 [731]	45,500 [13.3]		3.58	29,400 [8.6]	2.34	8.20
RHKL-HM4824(RCSL-H*4824)	46,000 [13.5]	35,800 [10.5]	10,200 [3.0]	12.50	15.00	74	1,625 [767]	45,000 [13.2]		3.70	29,000 [8.5]	2.38	8.50
RHLL-HM4824(RCSL-H*4824)	46,000 [13.5]	35,800 [10.5]	10,200 [3.0]	12.50	15.00	74	1,625 [767]	45,000 [13.2]		3.70	29,000 [8.5]	2.38	8.50
RHSL-HM4824(RCSL-H*4824)	45,500 [13.3]	34,500 [10.1]	11,000 [3.2]	11.50	14.00	74	1,550 [731]	45,500 [13.3]		3.60	29,400 [8.6]	2.32	8.20
049JEZ	RHLL-HM6024(RCSL-H*6024) ①	48,500 [14.2]	36,700 [10.8]	11,800 [3.5]	12.50	15.00	74	1,600 [755]	44,000 [12.9]	3.92	26,600 [7.8]	2.58	9.00
	RCFL-H*6024(RGFE-09(E,N)ZCMS)	47,000 [13.8]	33,900 [9.9]	13,100 [3.8]	11.50	14.00	74	1,400 [661]	43,500 [12.7]	3.78	26,200 [7.7]	2.46	8.80
	RCFL-H*6024(RGFE-10(E,N)ZCMS)	47,000 [13.8]	34,000 [10.0]	13,000 [3.8]	11.50	14.00	74	1,425 [672]	43,500 [12.7]	3.76	26,400 [7.7]	2.46	8.50
	RCFL-H*6024(RGFE-12(E,N)RCMS)	47,000 [13.8]	34,200 [10.0]	12,800 [3.8]	12.00	14.50	74	1,450 [684]	43,500 [12.7]	3.82	26,000 [7.6]	2.48	8.85
	RCFL-H*6024(RGFG-09EZCMS)	47,000 [13.8]	33,900 [9.9]	13,100 [3.8]	11.50	14.00	74	1,400 [661]	43,500 [12.7]	3.78	26,200 [7.7]	2.46	8.80
	RCFL-H*6024(RGFG-10EZCMS)	46,500 [13.6]	33,400 [9.8]	13,100 [3.8]	11.50	14.00	74	1,400 [661]	43,500 [12.7]	3.78	26,200 [7.7]	2.46	8.75
	RCFL-H*6024(RGFG-12ERCMS)	47,000 [13.8]	34,200 [10.0]	12,800 [3.8]	12.00	14.50	74	1,450 [684]	43,500 [12.7]	3.82	26,000 [7.6]	2.48	8.85
	RCFL-H*6024(RGGE-09(E,N)ZCMS)	47,000 [13.8]	33,900 [9.9]	13,100 [3.8]	12.00	14.50	74	1,400 [661]	43,500 [12.7]	3.82	26,000 [7.6]	2.48	8.85
	RCFL-H*6024(RGGE-10(E,N)ZCMS)	47,000 [13.8]	33,900 [9.9]	13,100 [3.8]	11.50	14.00	74	1,400 [661]	43,500 [12.7]	3.80	26,200 [7.7]	2.48	8.80
	RCFL-H*6024(RGGE-12(E,N)RCMS)	48,000 [14.1]	36,200 [10.6]	11,800 [3.5]	12.00	14.50	74	1,575 [743]	43,500 [12.7]	3.76	26,200 [7.7]	2.46	8.50
	RCFL-H*6024(RGJF-09(E,N)ZCMS)	47,000 [13.8]	33,900 [9.9]	13,100 [3.8]	12.00	14.50	74	1,400 [661]	43,500 [12.7]	3.82	26,000 [7.6]	2.48	8.85
	RCFL-H*6024(RGJF-10(E,N)ZCMS)	47,000 [13.8]	33,900 [9.9]	13,100 [3.8]	11.50	14.00	74	1,400 [661]	43,500 [12.7]	3.80	26,200 [7.7]	2.48	8.80
	RCFL-H*6024(RGJF-12(E,N)RCMS)	48,000 [14.1]	36,200 [10.6]	11,800 [3.5]	12.00	14.50	74	1,575 [743]	43,500 [12.7]	3.76	26,200 [7.7]	2.46	8.50
	RCFL-H*6024(RGLE-07(E,N)BRQR)	47,000 [13.8]	33,900 [9.9]	13,100 [3.8]	12.00	14.50	74	1,400 [661]	43,000 [12.6]	3.86	26,000 [7.6]	2.50	8.90
	RCFL-H*6024(RGLE-07?BRQ?)	47,000 [13.8]	33,900 [9.9]	13,100 [3.8]	12.00	14.50	74	1,400 [661]	43,000 [12.6]	3.86	26,000 [7.6]	2.50	8.90
	RCFL-H*6024(RGLE-10(E,N)BRMR)	47,000 [13.8]	33,900 [9.9]	13,100 [3.8]	12.50	15.00	74	1,400 [661]	43,000 [12.6]	3.90	25,800 [7.6]	2.54	9.00
	RCFL-H*6024(RGLE-12(E,N)ARMR)	47,500 [13.9]	34,500 [10.1]	13,000 [3.8]	12.50	15.00	74	1,425 [672]	43,000 [12.6]	3.90	25,800 [7.6]	2.54	9.00
	RCFL-H*6024(RGLT-07(E,N)BRQR)	47,500 [13.9]	34,700 [10.2]	12,800 [3.8]	12.00	14.50	74	1,450 [684]	43,500 [12.7]	3.84	26,000 [7.6]	2.50	8.50
	RCFL-H*6024(RGLT-07?BRQ?)	47,500 [13.9]	34,700 [10.2]	12,800 [3.8]	12.00	14.50	74	1,450 [684]	43,500 [12.7]	3.84	26,000 [7.6]	2.50	8.50
	RCFL-H*6024(RGLT-10(E,N)BRMR)	47,500 [13.9]	34,700 [10.2]	12,800 [3.8]	12.00	14.50	74	1,450 [684]	43,500 [12.7]	3.86	26,000 [7.6]	2.50	8.50
RCFL-H*6024(RGLT-10?BRM?)	47,500 [13.9]	34,700 [10.2]	12,800 [3.8]	12.00	14.50	74	1,450 [684]	43,500 [12.7]	3.86	26,000 [7.6]	2.50	8.50	
RCFL-H*6024(RGLT-12(E,N)ARMR)	47,500 [13.9]	34,400 [10.1]	13,100 [3.8]	12.50	15.00	74	1,400 [661]	43,000 [12.6]	3.90	25,800 [7.6]	2.54	9.00	
RCFL-H*6024(RGLT-12?ARM?)	47,500 [13.9]	34,400 [10.1]	13,100 [3.8]	12.50	15.00	74	1,400 [661]	43,000 [12.6]	3.90	25,800 [7.6]	2.54	9.00	

① Highest sales volume tested combination required by D.O.E. test procedures.

[ ] Designates Metric Conversions

## Performance Data @ AHRI Standard Conditions—Cooling

Model Numbers		AHRI Cooling Performance							AHRI Heating Performance (70°F [21°C] Indoor)				
		80°F [26.5°C] DB/67°F [19.5°C] WB Indoor Air 95°F [35°C] DB Outdoor Air							Outdoor Air 47°F [8.5°C] DB/ 43°F [6°C] WB DOE High Temp.		Outdoor Air 17°F [-8.5°C] DB/ 15°F [-9.5°C] WB DOE Low Temp.		DOE Region IV HSPF
Outdoor Unit RPQL-	Indoor Coil and/or Air Handler	Total Capacity BTU/H [kW]	Net Sens. BTU/H [kW]	Net Latent BTU/H [kW]	EER	SEER	Snd. Rate dB	Indoor CFM [L/s]	BTU/H [kW]	COP	BTU/H [kW]	COP	
Rev. 1/7/2013	RCFL-H*6024(RGPE-07(E,N)BRQR)	47,000 [13.8]	33,900 [9.9]	13,100 [3.8]	12.00	14.50	74	1,400 [661]	43,000 [12.6]	3.86	25,800 [7.6]	2.52	8.95
	RCFL-H*6024(RGPE-10(E,N)BRMR)	47,500 [13.9]	35,400 [10.4]	12,100 [3.5]	12.00	14.50	74	1,550 [731]	43,500 [12.7]	3.80	26,200 [7.7]	2.48	8.50
	RCFL-H*6024(RGPE-12(E,N)ARMR)	47,500 [13.9]	34,500 [10.1]	13,000 [3.8]	12.50	15.00	74	1,425 [672]	43,000 [12.6]	3.90	25,800 [7.6]	2.52	9.00
	RCFL-H*6024(RGPT-07(E,N)BRQR)	47,500 [13.9]	34,700 [10.2]	12,800 [3.8]	12.00	14.50	74	1,450 [684]	43,500 [12.7]	3.86	26,000 [7.6]	2.50	8.50
	RCFL-H*6024(RGPT-07?BRQ?)	47,500 [13.9]	34,700 [10.2]	12,800 [3.8]	12.00	14.50	74	1,450 [684]	43,500 [12.7]	3.86	26,000 [7.6]	2.50	8.50
	RCFL-H*6024(RGPT-10?BRM?)	47,500 [13.9]	34,700 [10.2]	12,800 [3.8]	12.00	14.50	74	1,450 [684]	43,000 [12.6]	3.86	25,800 [7.6]	2.52	8.50
	RCFL-H*6024(RGPT-12(E,N)ARMR)	47,000 [13.8]	33,700 [9.9]	13,300 [3.9]	12.50	15.00	74	1,375 [649]	43,000 [12.6]	3.92	25,600 [7.5]	2.54	9.05
	RCFL-H*6024(RGPT-12?ARM?)	47,000 [13.8]	33,700 [9.9]	13,300 [3.9]	12.50	15.00	74	1,375 [649]	43,000 [12.6]	3.92	25,600 [7.5]	2.54	9.05
	RCFL-H*6024(RGRM-07(E,N)YBGS)	46,000 [13.5]	32,900 [9.6]	13,100 [3.8]	10.50	13.00	74	1,400 [661]	44,500 [13.0]	3.56	27,200 [8.0]	2.34	8.40
	RCFL-H*6024(RGRM-09(E,N)ZAJA)	46,500 [13.6]	33,400 [9.8]	13,100 [3.8]	11.50	14.00	74	1,400 [661]	43,500 [12.7]	3.74	26,400 [7.7]	2.44	8.70
	RCFL-H*6024(RGRM-10(E,N)ZAJA)	46,500 [13.6]	33,500 [9.8]	13,000 [3.8]	11.50	14.00	74	1,425 [672]	44,000 [12.9]	3.72	26,400 [7.7]	2.44	8.50
	RCFL-H*6024(RGRM-12(E,N)RAJA)	47,000 [13.8]	34,000 [10.0]	13,000 [3.8]	12.00	14.50	74	1,425 [672]	43,500 [12.7]	3.80	26,200 [7.7]	2.48	8.50
	RCFL-H*6024(RGTM-07(E,N)RBGS)	47,000 [13.8]	34,400 [10.1]	12,600 [3.7]	12.00	14.50	74	1,475 [696]	43,500 [12.7]	3.78	26,200 [7.7]	2.46	8.50
	RCFL-H*6024(RGTM-09(E,N)ZAJA)	47,000 [13.8]	33,900 [9.9]	13,100 [3.8]	12.00	14.50	74	1,400 [661]	43,500 [12.7]	3.82	26,000 [7.6]	2.48	8.85
	RCFL-H*6024(RGTM-10(E,N)RBJA)	47,000 [13.8]	34,000 [10.0]	13,000 [3.8]	12.00	14.50	74	1,425 [672]	43,500 [12.7]	3.84	26,000 [7.6]	2.50	8.90
	RCFL-H*6024(RHWB-08WRX60A)	47,500 [13.9]	34,700 [10.2]	12,800 [3.8]	12.00	14.50	74	1,450 [684]	43,000 [12.6]	3.86	25,800 [7.6]	2.52	8.50
	RCFL-H*6024(RHWB-10WRX60A)	47,500 [13.9]	35,000 [10.3]	12,500 [3.7]	12.00	14.50	74	1,500 [708]	43,000 [12.6]	3.88	25,800 [7.6]	2.52	8.50
	RCFL-H*6024(ROCA-070E04)	46,500 [13.6]	33,400 [9.8]	13,100 [3.8]	11.50	14.00	74	1,400 [661]	43,500 [12.7]	3.74	26,400 [7.7]	2.44	8.70
	RCFL-H*6024(ROLA-070E04)	47,000 [13.8]	33,700 [9.9]	13,300 [3.9]	12.00	14.50	74	1,375 [649]	43,500 [12.7]	3.86	26,000 [7.6]	2.50	8.90
RCFL-H*6024(ROLA-115E05)	47,000 [13.8]	33,900 [9.9]	13,100 [3.8]	12.00	14.50	74	1,400 [661]	43,500 [12.7]	3.84	26,000 [7.6]	2.50	8.90	
RCFL-H*6024+RXMD-C04	47,500 [13.9]	35,700 [10.5]	11,800 [3.5]	11.50	14.00	74	1,600 [755]	42,000 [12.3]	3.74	24,600 [7.2]	2.48	8.50	
RHKL-HM6024(RCSL-H*6024)	48,500 [14.2]	36,700 [10.8]	11,800 [3.5]	12.50	15.00	74	1,600 [755]	43,000 [12.6]	3.92	25,600 [7.5]	2.54	9.00	
056JEZ	RHLL-HM6024(RCSL-H*6024) ①	52,500 [15.4]	37,900 [11.1]	14,600 [4.3]	12.50	15.00	76	1,600 [755]	51,000 [14.9]	3.66	29,200 [8.6]	2.34	8.50
	RCFL-H*6024(RGFD-12?RCM?)	52,000 [15.2]	37,950 [11.1]	14,050 [4.1]	11.50	14.00	76	1,650 [779]	51,500 [15.1]	3.56	29,800 [8.7]	2.28	8.20
	RCFL-H*6024(RGGE-12(E,N)RCMS)	52,000 [15.2]	37,400 [11.0]	14,600 [4.3]	11.50	14.00	76	1,575 [743]	50,500 [14.8]	3.54	28,800 [8.4]	2.22	8.20
	RCFL-H*6024(RGJF-12(E,N)RCMS)	52,000 [15.2]	37,400 [11.0]	14,600 [4.3]	11.50	14.00	76	1,575 [743]	50,500 [14.8]	3.54	28,800 [8.4]	2.22	8.20
	RCFL-H*6024(RGLE-07(E,N)BRQR)	52,000 [15.2]	37,400 [11.0]	14,600 [4.3]	11.50	14.00	76	1,600 [755]	50,500 [14.8]	3.52	28,800 [8.4]	2.22	8.20
	RCFL-H*6024(RGLE-07?BRQ?)	52,000 [15.2]	37,400 [11.0]	14,600 [4.3]	11.50	14.00	76	1,600 [755]	50,500 [14.8]	3.52	28,800 [8.4]	2.22	8.20
	RCFL-H*6024(RGLE-10(E,N)BRMR)	52,000 [15.2]	37,400 [11.0]	14,600 [4.3]	12.00	14.50	76	1,600 [755]	50,500 [14.8]	3.56	28,600 [8.4]	2.24	8.20

① Highest sales volume tested combination required by D.O.E. test procedures.

[ ] Designates Metric Conversions

**Performance Data @ AHRI Standard Conditions—Cooling**

Model Numbers		AHRI Cooling Performance							AHRI Heating Performance (70°F [21°C] Indoor)				
		80°F [26.5°C] DB/67°F [19.5°C] WB Indoor Air 95°F [35°C] DB Outdoor Air							Outdoor Air 47°F [8.5°C] DB/ 43°F [6°C] WB DOE High Temp.		Outdoor Air 17°F [-8.5°C] DB/ 15°F [-9.5°C] WB DOE Low Temp.		DOE Region IV HSPF
Outdoor Unit RPQL-	Indoor Coil and/or Air Handler	Total Capacity BTU/H [kW]	Net Sens. BTU/H [kW]	Net Latent BTU/H [kW]	EER	SEER	Snd. Rate dB	Indoor CFM [L/s]	BTU/H [kW]	COP	BTU/H [kW]	COP	
Rev. 1/7/2013	RCFL-H*6024(RGLE-12(E,N)ARMR)	52,000 [15.2]	37,400 [11.0]	14,600 [4.3]	11.50	14.00	76	1,600 [755]	50,500 [14.8]	3.56	28,600 [8.4]	2.24	8.20
	RCFL-H*6024(RGLT-10(E,N)BRMR)	52,000 [15.2]	38,200 [11.2]	13,800 [4.0]	11.50	14.00	76	1,700 [802]	51,000 [14.9]	3.48	29,000 [8.5]	2.20	8.20
	RCFL-H*6024(RGLT-10?BRM?)	52,000 [15.2]	38,200 [11.2]	13,800 [4.0]	11.50	14.00	76	1,700 [802]	51,000 [14.9]	3.48	29,000 [8.5]	2.20	8.20
	RCFL-H*6024(RGLT-12(E,N)ARMR)	52,500 [15.4]	38,700 [11.3]	13,800 [4.0]	11.50	14.00	76	1,700 [802]	51,000 [14.9]	3.50	28,800 [8.4]	2.20	8.20
	RCFL-H*6024(RGLT-12?ARM?)	52,500 [15.4]	38,700 [11.3]	13,800 [4.0]	11.50	14.00	76	1,700 [802]	51,000 [14.9]	3.50	28,800 [8.4]	2.20	8.20
	RCFL-H*6024(RGPE-07(E,N)BRQR)	52,000 [15.2]	37,400 [11.0]	14,600 [4.3]	11.50	14.00	76	1,600 [755]	50,500 [14.8]	3.52	28,800 [8.4]	2.22	8.20
	RCFL-H*6024(RGPE-10(E,N)BRMR)	51,500 [15.1]	36,600 [10.7]	14,900 [4.4]	12.00	14.50	76	1,550 [731]	50,500 [14.8]	3.56	28,600 [8.4]	2.24	8.20
	RCFL-H*6024(RGPE-12(E,N)ARMR)	51,500 [15.1]	36,400 [10.7]	15,100 [4.4]	12.00	14.50	76	1,525 [720]	50,500 [14.8]	3.60	28,400 [8.3]	2.26	8.20
	RCFL-H*6024(RGPT-07(E,N)BRQR)	52,000 [15.2]	38,200 [11.2]	13,800 [4.0]	11.50	14.00	76	1,700 [802]	51,000 [14.9]	3.46	29,000 [8.5]	2.18	8.20
	RCFL-H*6024(RGPT-07?BRQ?)	52,000 [15.2]	38,200 [11.2]	13,800 [4.0]	11.50	14.00	76	1,700 [802]	51,000 [14.9]	3.46	29,000 [8.5]	2.18	8.20
	RCFL-H*6024(RGPT-10?BRM?)	52,000 [15.2]	38,350 [11.2]	13,650 [4.0]	11.50	14.00	76	1,700 [802]	51,500 [15.1]	3.54	30,000 [8.8]	2.28	8.20
	RCFL-H*6024(RGPT-12(E,N)ARMR)	52,500 [15.4]	38,700 [11.3]	13,800 [4.0]	11.50	14.00	76	1,700 [802]	51,000 [14.9]	3.50	29,000 [8.5]	2.20	8.20
	RCFL-H*6024(RGPT-12?ARM?)	52,500 [15.4]	38,700 [11.3]	13,800 [4.0]	11.50	14.00	76	1,700 [802]	51,000 [14.9]	3.50	29,000 [8.5]	2.20	8.20
	RCFL-H*6024(RGRM-12(E,N)RAJS)	51,500 [15.1]	36,600 [10.7]	14,900 [4.4]	11.50	14.00	76	1,550 [731]	51,000 [14.9]	3.50	29,000 [8.5]	2.20	8.20
	RCFL-H*6024(RGTM-07(E,N)RBGS)	51,000 [14.9]	35,700 [10.5]	15,300 [4.5]	12.00	14.00	76	1,475 [696]	51,500 [15.1]	3.60	29,600 [8.7]	2.30	8.50
	RCFL-H*6024(RGTM-09(E,N)ZAJS)	51,500 [15.1]	36,600 [10.7]	14,900 [4.4]	11.50	14.00	76	1,550 [731]	51,000 [14.9]	3.50	28,800 [8.4]	2.22	8.20
	RCFL-H*6024(RGTM-10(E,N)RBJS)	51,500 [15.1]	36,900 [10.8]	14,600 [4.3]	11.50	14.00	76	1,625 [767]	51,000 [14.9]	3.50	29,000 [8.5]	2.20	8.20
	RCFL-H*6024(RHWP-08WRX60A)	52,000 [15.2]	37,800 [11.1]	14,200 [4.2]	11.50	14.00	76	1,650 [779]	50,500 [14.8]	3.54	28,800 [8.4]	2.22	8.20
	RCFL-H*6024(RHWP-10WRX60A)	52,500 [15.4]	38,700 [11.3]	13,800 [4.0]	12.00	14.50	76	1,700 [802]	50,500 [14.8]	3.50	28,400 [8.3]	2.20	8.20
	RCFL-H*6024(ROLA-115E05)	51,500 [15.1]	37,100 [10.9]	14,400 [4.2]	11.50	14.00	76	1,600 [755]	51,500 [15.1]	3.56	29,800 [8.7]	2.28	8.20
RCFL-H*6024+RXMD-C04	51,500 [15.1]	36,900 [10.8]	14,600 [4.3]	11.50	14.00	76	1,600 [755]	49,000 [14.4]	3.52	27,200 [8.0]	2.26	8.20	
RHKL-HM6024(RCSL-H*6024)	52,500 [15.4]	37,900 [11.1]	14,600 [4.3]	11.50	15.00	76	1,600 [755]	50,000 [14.6]	3.66	28,000 [8.2]	2.30	8.50	
060JEZ	RHLL-HM6024(RCSL-H*6024) ①	59,500 [17.4]	42,250 [12.4]	17,250 [5.1]	12.00	14.50	74	1,800 [849]	59,500 [17.4]	3.86	37,800 [11.1]	2.70	9.00
	RCFL-H*6024	58,000 [17.0]	39,700 [11.6]	18,300 [5.4]	11.50	13.50	74	1,675 [790]	58,000 [17.0]	3.60	35,600 [10.4]	2.16	8.20
	RCFL-H*6024(RGLT-07(E,N)BRQR)	59,000 [17.3]	40,500 [11.9]	18,500 [5.4]	11.50	14.00	74	1,700 [802]	59,000 [17.3]	3.74	37,600 [11.0]	2.62	8.50
	RCFL-H*6024(RGLT-07?BRQ?)	59,000 [17.3]	40,500 [11.9]	18,500 [5.4]	11.50	14.00	74	1,700 [802]	59,000 [17.3]	3.74	37,600 [11.0]	2.62	8.50
	RCFL-H*6024(RGLT-10(E,N)BRMR)	59,000 [17.3]	40,500 [11.9]	18,500 [5.4]	11.50	14.00	74	1,700 [802]	59,000 [17.3]	3.76	37,600 [11.0]	2.62	8.50
	RCFL-H*6024(RGLT-10?BRM?)	59,000 [17.3]	40,500 [11.9]	18,500 [5.4]	11.50	14.00	74	1,700 [802]	59,000 [17.3]	3.76	37,600 [11.0]	2.62	8.50
	RCFL-H*6024(RGLT-12(E,N)ARMR)	59,000 [17.3]	40,500 [11.9]	18,500 [5.4]	12.00	14.50	74	1,700 [802]	59,000 [17.3]	3.78	37,400 [11.0]	2.64	8.50

① Highest sales volume tested combination required by D.O.E. test procedures.

[ ] Designates Metric Conversions



## Performance Data @ AHRI Standard Conditions—Cooling

Model Numbers		AHRI Cooling Performance							AHRI Heating Performance (70°F [21°C] Indoor)				
		80°F [26.5°C] DB/67°F [19.5°C] WB Indoor Air 95°F [35°C] DB Outdoor Air							Outdoor Air 47°F [8.5°C] DB/ 43°F [6°C] WB DOE High Temp.		Outdoor Air 17°F [-8.5°C] DB/ 15°F [-9.5°C] WB DOE Low Temp.		DOE Region IV HSPF
Outdoor Unit RPQL-	Indoor Coil and/or Air Handler	Total Capacity BTU/H [kW]	Net Sens. BTU/H [kW]	Net Latent BTU/H [kW]	EER	SEER	Snd. Rate dB	Indoor CFM [L/s]	BTU/H [kW]	COP	BTU/H [kW]	COP	
Rev. 1/7/2013	RCFL-H*6024(RGLT-12?ARM?)	59,000 [17.3]	40,500 [11.9]	18,500 [5.4]	12.00	14.50	74	1,700 [802]	59,000 [17.3]	3.78	37,400 [11.0]	2.64	8.50
	RCFL-H*6024(RGPT-07(E,N)BRQR)	59,000 [17.3]	40,500 [11.9]	18,500 [5.4]	11.50	14.00	74	1,700 [802]	59,000 [17.3]	3.76	37,600 [11.0]	2.62	8.50
	RCFL-H*6024(RGPT-07?BRQ?)	59,000 [17.3]	40,500 [11.9]	18,500 [5.4]	11.50	14.00	74	1,700 [802]	59,000 [17.3]	3.76	37,600 [11.0]	2.62	8.50
	RCFL-H*6024(RGPT-10?BRM?)	59,000 [17.3]	40,500 [11.9]	18,500 [5.4]	11.50	14.00	74	1,700 [802]	59,000 [17.3]	3.76	37,400 [11.0]	2.64	8.50
060JEZ	RCFL-H*6024(RGPT-12(E,N)ARMR)	59,000 [17.3]	40,500 [11.9]	18,500 [5.4]	12.00	14.50	74	1,700 [802]	59,000 [17.3]	3.78	37,400 [11.0]	2.64	8.50
	RCFL-H*6024(RGPT-12?ARM?)	59,000 [17.3]	40,500 [11.9]	18,500 [5.4]	12.00	14.50	74	1,700 [802]	59,000 [17.3]	3.78	37,400 [11.0]	2.64	8.50
	RCFL-H*6024(RHWB-10WRX60A)	59,500 [17.4]	41,000 [12.0]	18,500 [5.4]	12.00	14.50	74	1,700 [802]	59,500 [17.4]	3.82	37,200 [10.9]	2.68	8.50
	RHKL-HM6024(RCSL-H*6024)	59,500 [17.4]	42,250 [12.4]	17,250 [5.1]	12.00	14.50	74	1,800 [849]	59,500 [17.4]	3.86	37,000 [10.8]	2.70	9.00
	RHSL-HM6024(RCSL-H*6024)	58,500 [17.1]	41,500 [12.2]	17,000 [5.0]	11.00	13.00	74	1,800 [849]	58,500 [17.1]	3.40	38,500 [11.3]	2.24	8.20

① Highest sales volume tested combination required by D.O.E. test procedures.

[ ] Designates Metric Conversions





## Electrical and Physical Data

Model Number RPQL-	ELECTRICAL							PHYSICAL						
	Phase Frequency (Hz) Voltage (Volts)	Compressor		Fan Motor Full Load Amperes (FLA)	Minimum Circuit Ampacity Amperes	Fuse or HACR Circuit Breaker		Outdoor Coil			Refrig. Per Circuit Oz. [g]	Weight		
		Rated Load Amperes (RLA)	Locked Rotor Amperes (LRA)			Minimum Amperes	Maximum Amperes	Face Area Sq. Ft. [m <sup>2</sup> ]	No. Rows	CFM [L/s]		Net Lbs. [kg]	Shipping Lbs. [kg]	
Rev. 1/7/13														
018JEZ	1-60-208/230	9/9	48	1.4	13/13	15/15	20/20	11 [1.02]	1	1925 [908]	85 [2410]	156 [70.8]	157.5 [70.8]	
024JEZ	1-60-208/230	13.5/13.5	58.3	1.4	19/19	25/25	30/30	13 [1.21]	1	1925 [908]	98 [2778]	156 [70.8]	176 [70.8]	
030JEZ	1-60-208/230	14.1/14.1	73	1.4	20/20	25/25	30/30	17.1 [1.59]	1	1925 [908]	120 [3402]	175 [79.4]	195.5 [79.4]	
036JEZ	1-60-208/230	17.5/17.5	79	1.4	24/24	30/30	40/40	17.1 [1.59]	2	3575 [1687]	194 [5500]	227 [103]	237.5 [103]	
037JEZ	1-60-208/230	17/17	79	1	22/22	30/30	35/35	23 [2.14]	1	3500 [1652]	144 [4082]	246 [111.6]	256 [111.6]	
042JEZ	1-60-208/230	17.9/17.9	112	1.4	24/24	30/30	40/40	23 [2.14]	2	3575 [1687]	208 [5897]	256 [116.1]	261 [116.1]	
043JEZ	1-60-208/230	17.9/17.9	112	1	24/24	30/30	40/40	23 [2.14]	1	3575 [1687]	208 [5897]	256 [116.1]	261 [116.1]	
048JEZ	1-60-208/230	19.9/19.9	109	1.7	27/27	35/35	45/45	23 [2.14]	2	3575 [1687]	231 [6549]	258 [117]	296 [117]	
049JEZ	1-60-208/230	19.9/19.9	109	1	26/26	35/35	45/45	23 [2.14]	1	3575 [1687]	239 [6776]	258 [117]	296 [117]	
056JEZ	1-60-208/230	21.4/21.4	135	2.8	30/30	35/35	50/50	23 [2.14]	2	3100 [1463]	274 [7768]	300 [136.1]	304 [136.1]	
060JEZ	1-60-208/230	26.4/26.4	134	2.8	36/36	45/45	60/60	23 [2.14]	2	3100 [1463]	277 [7853]	300 [136.1]	304 [136.1]	

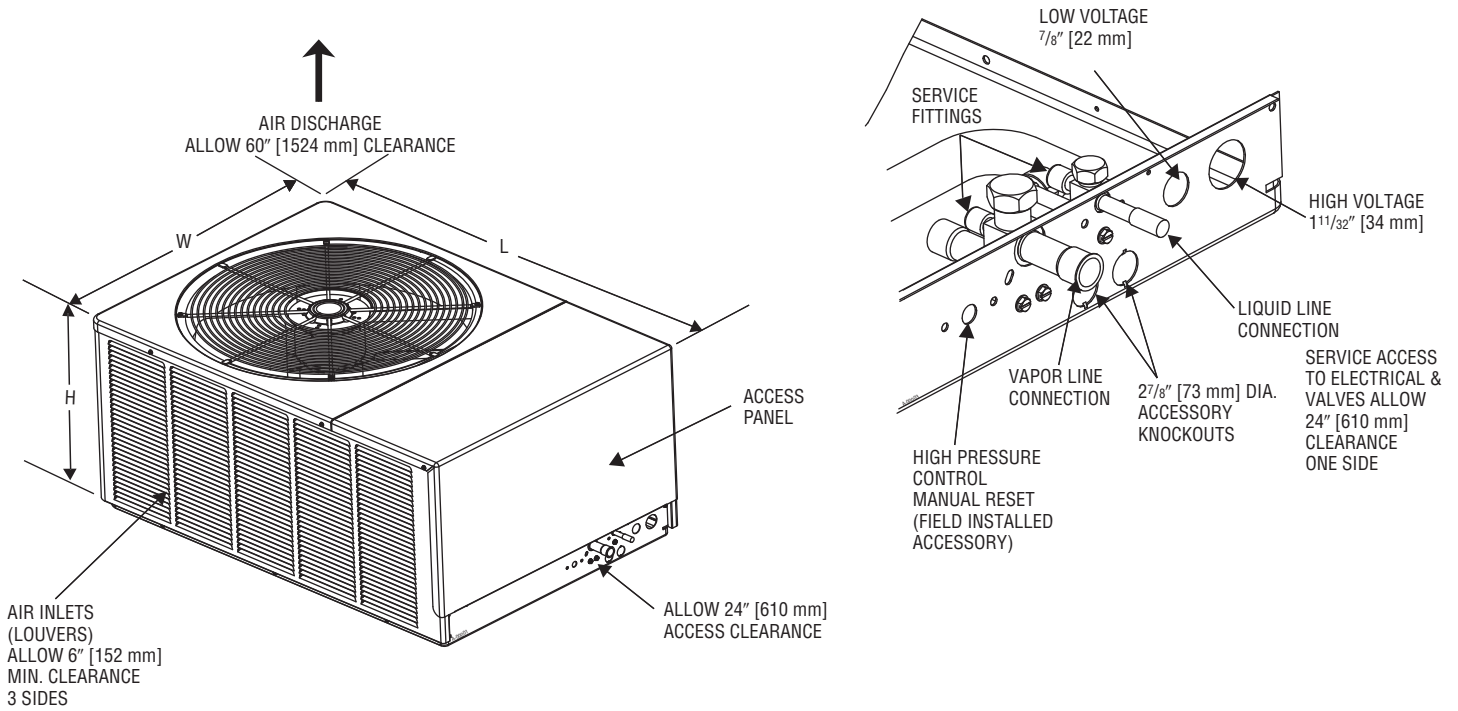
[ ] Designates Metric Conversions



## Unit Dimensions

Model Number RPQL-	Height "H" (Inches) [mm]	Length "L" (Inches) [mm]	Width "W" (Inches) [mm]
018JEZ	19 [482]	40 1/2 [1028]	27 5/8 [701]
024JEZ	19 [482]	44 3/8 [1127]	31 1/2 [800]
030JEZ/036JEZ/037JEZ/042JEZ/043JEZ	33 [838]	44 3/8 [1127]	31 1/2 [800]
048JEZ/049JEZ/056JEZ/060JEZ	33 [838]	44 3/8 [1127]	31 1/2 [800]

[ ] Designates Metric Conversions





## Heat Pump Refrigerant Line Size Information

R-410A System Capacity Model	Line Size Connection Size (Inch I.D.) [mm]	Line Size (Inch O.D.) [mm]	Liquid Line Size Outdoor Unit Above or Below Indoor Coil (Heat Pump Only)					
			Total Equivalent Length—Feet [m]					
			25 [7.62]	50 [15.24]	75 [22.86]	100 [30.48]	125 [38.10]	150 [45.72]
			Maximum Vertical Separation—Feet [m]					
-18	3/8" [9.53]	1/4" [6.35]	25 [7.62]	23 [7.01]	N/A	N/A	N/A	N/A
		5/16" [7.93]	25 [7.62]	49 [14.94]	44 [13.41]	40 [12.19]	36 [10.97]	31 [9.45]
		3/8" [9.52]*	25 [7.62]	50 [15.24]	53 [16.15]	52 [15.85]	50 [15.24]	48 [14.63]
-24	3/8" [9.53]	1/4" [6.35]	25 [7.62]	19 [5.79]	N/A	N/A	N/A	N/A
		5/16" [7.93]	25 [7.62]	50 [15.24]	51 [15.55]	44 [13.41]	38 [11.58]	31 [9.45]
		3/8" [9.52]*	25 [7.62]	50 [15.24]	64 [19.51]	61 [18.59]	59 [17.98]	57 [17.37]
-30	3/8" [9.53]	1/4" [6.35]	25 [7.62]	12 [3.66]	N/A	N/A	N/A	N/A
		5/16" [7.93]	25 [7.62]	50 [15.24]	57 [17.37]	47 [14.33]	38 [11.58]	29 [8.84]
		3/8" [9.52]*	25 [7.62]	50 [15.24]	74 [22.56]	71 [21.64]	68 [20.73]	65 [19.81]
-36	3/8" [9.53]	5/16" [7.93]	25 [7.62]	39 [11.89]	26 [7.93]	12 [3.66]	N/A	N/A
		3/8" [9.52]	25 [7.62]	50 [15.24]	52 [15.85]	47 [14.33]	43 [13.11]	38 [11.58]
		1/2" [12.70]	25 [7.62]	50 [15.24]	63 [19.20]	62 [18.90]	61 [18.59]	60 [18.29]
-37	3/8" [9.53]	5/16" [7.93]	25 [7.62]	50 [15.24]	36 [10.97]	22 [6.71]	N/A	N/A
		3/8" [9.52]*	25 [7.62]	50 [15.24]	63 [19.20]	58 [17.68]	54 [16.46]	49 [14.94]
		1/2" [12.70]	25 [7.62]	50 [15.24]	75 [22.86]	74 [22.56]	73 [22.25]	72 [21.95]
-43	3/8" [9.53]	5/16" [7.93]	25 [7.62]	14 [4.27]	N/A	N/A	N/A	N/A
		3/8" [9.52]*	25 [7.62]	37 [11.28]	31 [9.45]	25 [7.62]	19 [5.79]	13 [3.96]
		1/2" [12.70]	25 [7.62]	47 [14.33]	46 [14.02]	44 [13.41]	43 [13.11]	42 [12.80]
-49	3/8" [9.53]	5/16" [7.93]	25 [7.62]	50 [15.24]	46 [14.02]	34 [10.36]	23 [7.01]	11 [3.35]
		3/8" [9.52]*	25 [7.62]	50 [15.24]	69 [21.03]	65 [19.81]	61 [18.59]	57 [17.37]
		1/2" [12.70]	25 [7.62]	50 [15.24]	75 [22.86]	77 [23.47]	77 [23.47]	76 [23.17]
-56	3/8" [9.53]	3/8" [9.52]*	25 [7.62]	50 [15.24]	41 [12.50]	32 [9.75]	22 [6.71]	13 [3.96]
		1/2" [12.70]	25 [7.62]	50 [15.24]	63 [19.20]	61 [18.59]	60 [18.29]	58 [17.68]
-60	3/8" [9.53]	3/8" [9.52]*	25 [7.62]	16 [4.88]	N/A	N/A	N/A	N/A
		1/2" [12.70]	25 [7.62]	34 [10.36]	32 [9.75]	30 [9.14]	27 [8.23]	25 [7.62]

NOTES:

\*Standard line size

N/A = Application not recommended.

Suction Line Length/Size versus Capacity Multiplier (R-410A)								
Unit Size		1 1/2 Ton	2 Ton	2 1/2 Ton	3 Ton	3 1/2 Ton	4 Ton	5 Ton
Suction Line Connection Size		3/4" [19.05] I.D.				7/8" [22.23] I.D.		
Suction Line Run—Feet [m]		5/8" [15.88 mm] O.D. Opt. 3/4" [19.05 mm] O.D. Std.*		5/8" [15.88 mm] O.D. Opt. 3/4" [19.05 mm] O.D. Std.* 7/8" [22.23 mm] O.D. Opt.		3/4" [19.05 mm] O.D. Opt. 7/8" [22.23 mm] O.D. Std.*		7/8" [22.23 mm] O.D. Opt. 1 1/8" [28.58 mm] O.D. Std.*
25' [7.62]	Optional Standard Optional	1.00 1.00 —	1.00 1.00 —	1.00 1.00 1.00	1.00 1.00 —	1.00 1.00 —	1.00 1.00 —	1.00 1.00 —
50' [15.24]	Optional Standard Optional	0.98 0.99 —	0.98 0.99 —	0.96 0.98 0.99	0.98 0.99 —	0.99 0.99 —	0.99 0.99 —	0.99 0.99 —
100' [30.48]	Optional Standard Optional	0.95 0.96 —	0.95 0.96 —	0.94 0.96 0.97	0.96 0.97 —	0.96 0.98 —	0.96 0.98 —	0.97 0.98 —
150' [45.72]	Optional Standard Optional	0.92 0.93 —	0.92 0.94 —	0.91 0.93 0.95	0.94 0.95 —	0.94 0.96 —	0.95 0.96 —	0.94 0.97 —

NOTES: NOTES:

\*Standard line size

N/A = Using suction line larger than shown in chart will result in poor oil return and is not recommended.

[ ] Designates Metric Conversions



**GENERAL TERMS OF LIMITED WARRANTY\***

Rheem will furnish a replacement for any part of this product which fails in normal use and service within the applicable period stated, in accordance with the terms of the limited warranty.

**\*For complete details of the Limited and Conditional Warranties, including applicable terms and conditions, contact your local contractor or the Manufacturer for a copy of the product warranty certificate.**

Conditional Unit Replacement  
(Registration Required) .....Five (5) Years  
Parts .....Ten (10) Years







The new degree of comfort.™

*In keeping with its policy of continuous progress and product improvement, Rheem reserves the right to make changes without notice.*

Rheem Heating, Cooling & Water Heating • P.O. Box 17010  
Fort Smith, Arkansas 72917 • [www.rheem.com](http://www.rheem.com)

Rheem Canada Ltd./Ltée • 125 Edgeware Road, Unit 1  
Brampton, Ontario • L6Y 0P5



INTEGRATED HOME COMFORT

PRINTED IN U.S.A 12/13 QG FORM NO. P11-799 REV. 2