



13AJA

Parts List
23-March-2011



*This parts list is current as of the above revision date.
See <http://www.rheempartslists.net/92-42805-13AJA.pdf> for the current revision.*

Condensing Units

Table of Contents

Model Explanation	Page 3
Parts Numbers	
Panels - Miscellaneous 18-36	Page 4
Panels - Miscellaneous 42-60	Page 5
Electrical-Fan Group	Page 6
Coil Parts	Page 7
Compressor Group 18-36	Page 8
Compressor Group 42-60	Page 9
Accessories	Page 10
Drawings/Photographs	
Exploded View	Page 11
Valve Mounting Assembly	Page 12
Control Box	Page 13
Notes/Disclaimer	Page 14

MODEL NUMBER EXPLANATION

1	3	A	J	A	1	8	A	0	1
1		2	3	4	5		6		7

(1) **SEER**
13 = SEER RATING

(2) **MODEL**
A = Air Conditioner

(3) **VOLTAGE**
J = 208-230/1/60

(4) **DESIGN SERIES**

(5) **COOLING CAPACITY (BTU/HR)**

018= 18,000

024= 24,000

030= 30,000

036= 36,000

042= 42,000

048= 48,000

060= 60,000

(6) **CABINET**

A = Full Metal Jacket

B = Corner Post/Mesh

(7) **NAMEPLATE**

SERIAL NUMBER EXPLANATION

7	0	9	2	M	0	7	0	1	9	9	9	9	9
	1			2		3		4				5	

(1) **COMPRESSOR IDENTIFICATION NUMBER**

(2) **PRODUCTION LOCATION**

(3) **WEEK OF PRODUCTION**

(4) **YEAR OF PRODUCTION**

(5) **PRODUCTION NUMBER**

No.	Notes	MODEL COOLING CAPACITY VARIATION	13AJA 18 A01	13AJA 18 B01	13AJA 24 A01	13AJA 24 B01
SHEET METAL PARTS, MISCELLANEOUS						
1		Cabinet - Gray (Before Date Code 1208)	AE-100726-01	N/A	AE-100726-01	N/A
1		Cabinet - Green (After Date Code 1208)	AE-100726-51	N/A	AE-100726-51	N/A
2		Cabinet Panel - Gray (Before Date Code 1208)	AE-100727-05	N/A	AE-100727-01	N/A
2		Cabinet Panel - Green (After Date Code 1208)	AE-100727-55	N/A	AE-100727-51	N/A
3		Mesh	N/A	95-100910-02	N/A	95-100910-03
4		Corner Post	N/A	AE-100628-04	N/A	AE-100628-04
5		Base Pan	AE-100069-01	AE-100069-01	AE-100069-01	AE-100069-01
6		Control Box - Gray (Before Date Code 1208)	AE-100654-01	AE-100654-01	AE-100654-01	AE-100654-01
6		Control Box - Green (After Date Code 1208)	AE-100654-51	N/A	AE-100654-51	N/A
7		Control Box Cover - Gray (Before Date Code 1208)	AE-100657-01	AE-100657-01	AE-100657-01	AE-100657-01
7		Control Box Cover - Green (After Date Code 1208)	AE-100657-51	N/A	AE-100657-51	N/A
8		Top Panel - Gray (Before Date Code 1208)	AE-100652-01	AE-100652-01	AE-100652-01	AE-100652-01
8		Top Panel - Green (After Date Code 1208)	AE-100652-51	N/A	AE-100652-51	N/A
10		Grille	95-100906-01	95-100906-01	95-100906-01	95-100906-01
		Center Cap - Blank (for Grille)	91-101123-09	91-101123-09	91-101123-09	91-101123-09
14		Valve Mounting Panel	AE-57780-01	AE-57780-01	AE-57780-01	AE-57780-01
16		Service Valve - Suction	See Coil Group			
17		Service Valve - Liquid	See Coil Group			
19		Low Voltage Cover	AE-57756-01	AE-57756-01	AE-57756-01	AE-57756-01
		Touch-up Paint - Gray (Aerosol)	523009	523009	523009	523009
		Touch-up Paint - Gray (Paint Pens)	523011	523011	523011	523011
		Touch-up Paint - Green (Aerosol)	523010	523010	523010	523010
		Touch-up Paint - Green (Paint Pens)	52-18662-48	52-18662-48	52-18662-48	52-18662-48

No.	Notes	MODEL COOLING CAPACITY VARIATION	13AJA 30 A01	13AJA 30 B01	13AJA 36 A01	13AJA 36 B01
SHEET METAL PARTS, MISCELLANEOUS						
1		Cabinet - Gray (Before Date Code 1208)	AE-100726-02	N/A	AE-100726-03	N/A
1		Cabinet - Green (After Date Code 1208)	AE-100726-52	N/A	AE-100726-53	N/A
2		Cabinet Panel - Gray (Before Date Code 1208)	AE-100727-02	N/A	AE-100727-03	N/A
2		Cabinet Panel - Green (After Date Code 1208)	AE-100727-52	N/A	AE-100727-53	N/A
3		Mesh	N/A	95-100910-04	N/A	95-100910-05
4		Corner Post	N/A	AE-100628-04	N/A	AE-100628-04
5		Base Pan - Before Date Code 1207	AE-100069-02	AE-100069-02	AS-100058-03	AS-100058-03
5		Base Pan - After Date Code 1207	AE-100069-02	N/A	AE-101588-03	N/A
6		Control Box - Gray (Before Date Code 1208)	AE-100654-01	AE-100654-01	AE-100654-01	AE-100654-02
6		Control Box - Green (After Date Code 1208) - 2 inch O.D. Capacitor	AE-100654-51	N/A	AE-100654-51	N/A
6		Control Box - Green (After Date Code 1208) - 2-1/2 inch O.D. Capacitor	N/A	N/A	AE-100654-52	N/A
7		Control Box Cover - Gray (Before Date Code 1208)	AE-100657-01	AE-100657-01	AE-100657-01	AE-100657-01
7		Control Box Cover - Green (After Date Code 1208)	AE-100657-51	N/A	AE-100657-51	N/A
8		Top Panel - Gray (Before Date Code 1207)	AE-100652-02	AE-100652-02	AE-100652-04	AE-100652-04
8		Top Panel - Gray (Date Code 1207 - 1208)	AE-100652-02	N/A	AE-100652-03	N/A
		Top Panel - Green (After Date Code 1208)	AE-100652-52	N/A	AE-100652-53	N/A
10		Grille - Before Date Code 1207	95-100906-03	95-100906-03	95-100905-02	95-100905-02
10		Grille - After Date Code 1207	95-100906-03	95-100906-03	95-100906-04	95-100905-02
		Center Cap - Blank (for Grille)	91-101123-09	91-101123-09	91-101123-09	91-101123-09
14		Valve Mounting Panel	AE-57780-01	AE-57780-01	AE-57780-01	AE-57780-01
16		Service Valve - Suction	See Coil Group			
17		Service Valve - Liquid	See Coil Group			
19		Low Voltage Cover	AE-57756-01	AE-57756-01	AE-57756-01	AE-57756-01
		Touch-up Paint - Gray (Aerosol)	523009	523009	523009	523009
		Touch-up Paint - Gray (Paint Pens)	523011	523011	523011	523011
		Touch-up Paint - Green (Aerosol)	523010	523010	523010	523010
		Touch-up Paint - Green (Paint Pens)	52-18662-48	52-18662-48	52-18662-48	52-18662-48

No.	Notes	MODEL COOLING CAPACITY VARIATION	13AJA 42 A01	13AJA 42 B01	13AJA 48 A01	13AJA 48 B01
SHEET METAL PARTS, MISCELLANEOUS						
1		Cabinet - Gray (Before Date Code 1208)	AE-100726-03	N/A	AE-100726-03	N/A
1		Cabinet - Green (After Date Code 1208)	AE-100726-53	N/A	AE-100726-53	N/A
2		Cabinet Panel - Gray (Before Date Code 1208)	AE-100727-03	N/A	AE-100727-03	N/A
2		Cabinet Panel - Green (After Date Code 1208)	AE-100727-53	N/A	AE-100727-53	N/A
3		Mesh	N/A	95-100910-05	N/A	95-100910-05
4		Corner Post	N/A	AE-100628-04	N/A	AE-100628-04
5		Base Pan - Before Date Code 1207	AS-100058-03	AS-100058-03	AS-100058-03	AS-100058-03
5		Base Pan - After Date Code 1207	AE-101588-03	N/A	AE-101588-03	N/A
6		Control Box - Gray (Before Date Code 1208)	AE-100654-02	AE-100654-02	AE-100654-02	AE-100654-02
6		Control Box - Green (After Date Code 1208)	AE-100654-52	N/A	AE-100654-52	N/A
7		Control Box Cover - Gray (Before Date Code 1208)	AE-100657-01	AE-100657-01	AE-100657-01	AE-100657-01
7		Control Box Cover - Green (After Date Code 1208)	AE-100657-51	N/A	AE-100657-51	N/A
8		Top Panel - Gray (Before Date Code 1207)	AE-100652-04	AE-100652-04	AE-100652-04	AE-100652-04
8		Top Panel - Gray (Date Code 1207 - 1208)	AE-100652-03	N/A	AE-100652-03	N/A
8		Top Panel - Green (After Date Code 1208)	AE-100652-53	N/A	AE-100652-53	N/A
10		Grille - Before Date Code 1207	95-100905-02	95-100905-02	95-100905-02	95-100905-02
10		Grille - After Date Code 1207	95-100906-04	95-100905-02	95-100906-04	95-100905-02
		Center Cap - Blank (for Grille)	91-101123-09	91-101123-09	91-101123-09	91-101123-09
14		Valve Mounting Panel	AE-57780-01	AE-57780-01	AE-57780-01	AE-57780-01
16		Service Valve - Suction	See Coil Group			
17		Service Valve - Liquid	See Coil Group			
19		Low Voltage Cover	AE-57756-01	AE-57756-01	AE-57756-01	AE-57756-01
		Touch-up Paint - Gray (Aerosol)	523009	523009	523009	523009
		Touch-up Paint - Gray (Paint Pens)	523011	523011	523011	523011
		Touch-up Paint - Green (Aerosol)	523010	523010	523010	523010
		Touch-up Paint - Green (Paint Pens)	52-18662-48	52-18662-48	52-18662-48	52-18662-48

No.	Notes	MODEL COOLING CAPACITY VARIATION	13AJA 60 A01	13AJA 60 B01		
SHEET METAL PARTS, MISCELLANEOUS						
1		Cabinet - Gray (Before Date Code 1208)	AE-100726-04	N/A		
1		Cabinet - Green (After Date Code 1208)	AE-100726-54	N/A		
2		Cabinet Panel - Gray (Before Date Code 1208)	AE-100727-04	N/A		
2		Cabinet Panel - Green (After Date Code 1208)	AE-100727-54	N/A		
3		Mesh	N/A	95-100910-05		
4		Corner Post	N/A	AE-100628-06		
5		Base Pan - Before Date Code 1207	AS-100058-03	AS-100058-03		
5		Base Pan - After Date Code 1207	AE-101588-03	N/A		
6		Control Box - Gray (Before Date Code 1208)	AE-100654-04	AE-100654-04		
6		Control Box - Green (After Date Code 1208)	AE-100654-54	N/A		
7		Control Box Cover - Gray (Before Date Code 1208)	AE-100657-01	AE-100657-01		
7		Control Box Cover - Green (After Date Code 1208)	AE-100657-51	N/A		
8		Top Panel - Gray (Before Date Code 1207)	AE-100652-04	AE-100652-04		
8		Top Panel - Gray (Date Code 1207 - 1208)	AE-100652-03	N/A		
8		Top Panel - Green (After Date Code 1208)	AE-100652-53	N/A		
10		Grille - Before Date Code 1207	95-100905-02	95-100905-02		
10		Grille - After Date Code 1207	95-100906-04	95-100905-02		
		Center Cap - Blank (for Grille)	91-101123-09	91-101123-09		
14		Valve Mounting Panel - Before Date Code 1208	AE-100185-01	AE-100185-01		
14		Valve Mounting Panel - After Date Code 1208	AE-100185-51	N/A		
16		Service Valve - Suction	See Coil Group			
17		Service Valve - Liquid	See Coil Group			
19		Low Voltage Cover	AE-57756-01	AE-57756-01		
		Touch-up Paint - Gray (Aerosol)	523009	523009		
		Touch-up Paint - Gray (Paint Pens)	523011	523011		
		Touch-up Paint - Green (Aerosol)	523010	523010		
		Touch-up Paint - Green (Paint Pens)	52-18662-48	52-18662-48		

No.	Notes	MODEL COOLING CAPACITY VARIATION	13AJA 18 A01	13AJA 18 B01	13AJA 24 A01	13AJA 24 B01
ELECTRICAL/FAN GROUP						
9	Stk	Fan Motor	51-102008-01	51-102008-01	51-102008-04	51-102008-04
11	Stk	Fan Blade	70-102011-01	70-102011-01	70-102011-05	70-102011-05
18	Stk	Contactora	42-42139-05	42-42139-05	42-42139-05	42-42139-05
19		Low Voltage Cover	See Panels - Miscellaneous			
20		Control Box Bottom	AE-100655-01	AE-100655-01	AE-100655-01	AE-100655-01
21		Capacitor - Compressor/Fan	See Compressor Group			

No.	Notes	MODEL COOLING CAPACITY VARIATION	13AJA 30 A01	13AJA 30 B01	13AJA 36 A01	13AJA 36 B01
ELECTRICAL/FAN GROUP						
9	Stk	Fan Motor	51-101774-02	51-101774-02	51-101774-02	51-101774-02
11	Stk,1	Fan Blade - See Note 1	70-100580-02	70-100580-02	70-100580-03	70-100580-03
11	1	Fan Blade - See Note 1	N/A	N/A	70-102011-03	70-102011-03
18	Stk	Contactora	42-42139-05	42-42139-05	42-42139-05	42-42139-05
19		Low Voltage Cover	See Panels - Miscellaneous			
20		Control Box Bottom	AE-100655-01	AE-100655-01	AE-100655-01	AE-100655-01
21		Capacitor - Compressor/Fan	See Compressor Group			

No.	Notes	MODEL COOLING CAPACITY VARIATION	13AJA 42 A01	13AJA 42 B01	13AJA 48 A01	13AJA 48 B01
ELECTRICAL/FAN GROUP						
9	Stk	Fan Motor	51-101774-02	51-101774-02	51-102008-03	51-102008-03
11	Stk,1	Fan Blade - See Note 1	70-100580-03	70-100580-03	70-100580-04	70-100580-04
11	1	Fan Blade - See Note 1	70-102011-03	70-102011-03	70-102011-04	70-102011-04
18	Stk	Contactora	42-42139-05	42-42139-05	42-42139-05	42-42139-05
19		Low Voltage Cover	See Panels - Miscellaneous			
20		Control Box Bottom	AE-100655-01	AE-100655-01	AE-100655-01	AE-100655-01
21		Capacitor - Compressor/Fan	See Compressor Group			

No.	Notes	MODEL COOLING CAPACITY VARIATION	13AJA 60 A01	13AJA 60 B01		
ELECTRICAL/FAN GROUP						
9	Stk	Fan Motor	51-102008-03	51-102008-03		
11	Stk,1	Fan Blade - See Note 1	70-100580-04	70-100580-04		
11	1	Fan Blade - See Note 1	70-102011-04	70-102011-04		
18	Stk	Contactora	42-42478-02	42-42478-02		
19		Low Voltage Cover	See Panels - Miscellaneous			
20		Control Box Bottom	AE-100655-01	AE-100655-01		
21		Capacitor - Compressor/Fan	See Compressor Group			

No.	Notes	MODEL COOLING CAPACITY VARIATION	13AJA	13AJA	13AJA	13AJA
			18 A01	18 B01	24 A01	24 B01
COIL GROUP						
13	Stk	Condenser Coil	AS-101758-03	AS-101758-03	AS-101759-03	AS-101759-03
		Distributor - Two Way (1/2 in. to 3/8 in.)	83-19988-01	83-19988-01	83-19988-01	83-19988-01
15		Valve Mounting Bracket	AE-57781-01	AE-57781-01	AE-57781-01	AE-57781-01
16		Service Valve - Suction	61-21368-07	61-21368-07	61-21368-07	61-21368-07
17		Service Valve - Liquid	61-21368-05	61-21368-05	61-21368-05	61-21368-05
	Stk	Filter Drier	83-26186-02	83-26186-02	83-26186-02	83-26186-02

No.	Notes	MODEL COOLING CAPACITY VARIATION	13AJA	13AJA	13AJA	13AJA
			30 A01	30 B01	36 A01	36 B01
COIL GROUP						
13	Stk	Condenser Coil	AS-101844-03	AS-101844-03	AS-101761-03	AS-101761-03
		Distributor - Three Way (3/8 in. to 3/8 in.)	83-17467-07	83-17467-07	83-17467-07	83-17467-07
		Distributor - Three Way (1/2 in. to 3/8 in.)	83-17467-06	83-17467-06	83-17467-06	83-17467-06
15		Valve Mounting Bracket	AE-57781-01	AE-57781-01	AE-57781-02	AE-57781-02
16		Service Valve - Suction (Before Date Code 0406)	61-21368-07	61-21368-07	61-21368-08	61-21368-08
16		Service Valve - Suction (After Date Code 0406)	61-21368-07	61-21368-07	61-21368-22	61-21368-22
17		Service Valve - Liquid	61-21368-05	61-21368-05	61-21368-05	61-21368-05
	Stk	Filter Drier	83-26186-02	83-26186-02	83-26186-02	83-26186-02

No.	Notes	MODEL COOLING CAPACITY VARIATION	13AJA	13AJA	13AJA	13AJA
			42 A01	42 B01	48 A01	48 B01
COIL GROUP						
13	Stk	Condenser Coil	AS-101761-03	AS-101761-03	AS-101761-03	AS-101761-03
		Distributor - Three Way (3/8 in. to 3/8 in.)	83-17467-07	83-17467-07	83-17467-07	83-17467-07
		Distributor - Three Way (1/2 in. to 3/8 in.)	83-17467-06	83-17467-06	83-17467-06	83-17467-06
15		Valve Mounting Bracket	AE-57781-02	AE-57781-02	AE-57781-02	AE-57781-02
16		Service Valve - Suction (Before Date Code 0406)	61-21368-08	61-21368-08	61-21368-08	61-21368-08
16		Service Valve - Suction (After Date Code 0406)	61-21368-22	61-21368-22	61-21368-22	61-21368-22
17		Service Valve - Liquid	61-21368-05	61-21368-05	61-21368-05	61-21368-05
	Stk	Filter Drier	83-26186-02	83-26186-02	83-26186-02	83-26186-02

No.	Notes	MODEL COOLING CAPACITY VARIATION	13AJA	13AJA		
			60 A01	60 B01		
COIL GROUP						
13	Stk	Condenser Coil	AS-101763-03	AS-101763-03		
15		Valve Mounting Bracket	AE-57781-02	AE-57781-02		
16		Service Valve - Suction	61-21368-08	61-21368-08		
17		Service Valve - Liquid	61-21368-05	61-21368-05		
	Stk	Filter Drier	83-26186-02	83-26186-02		

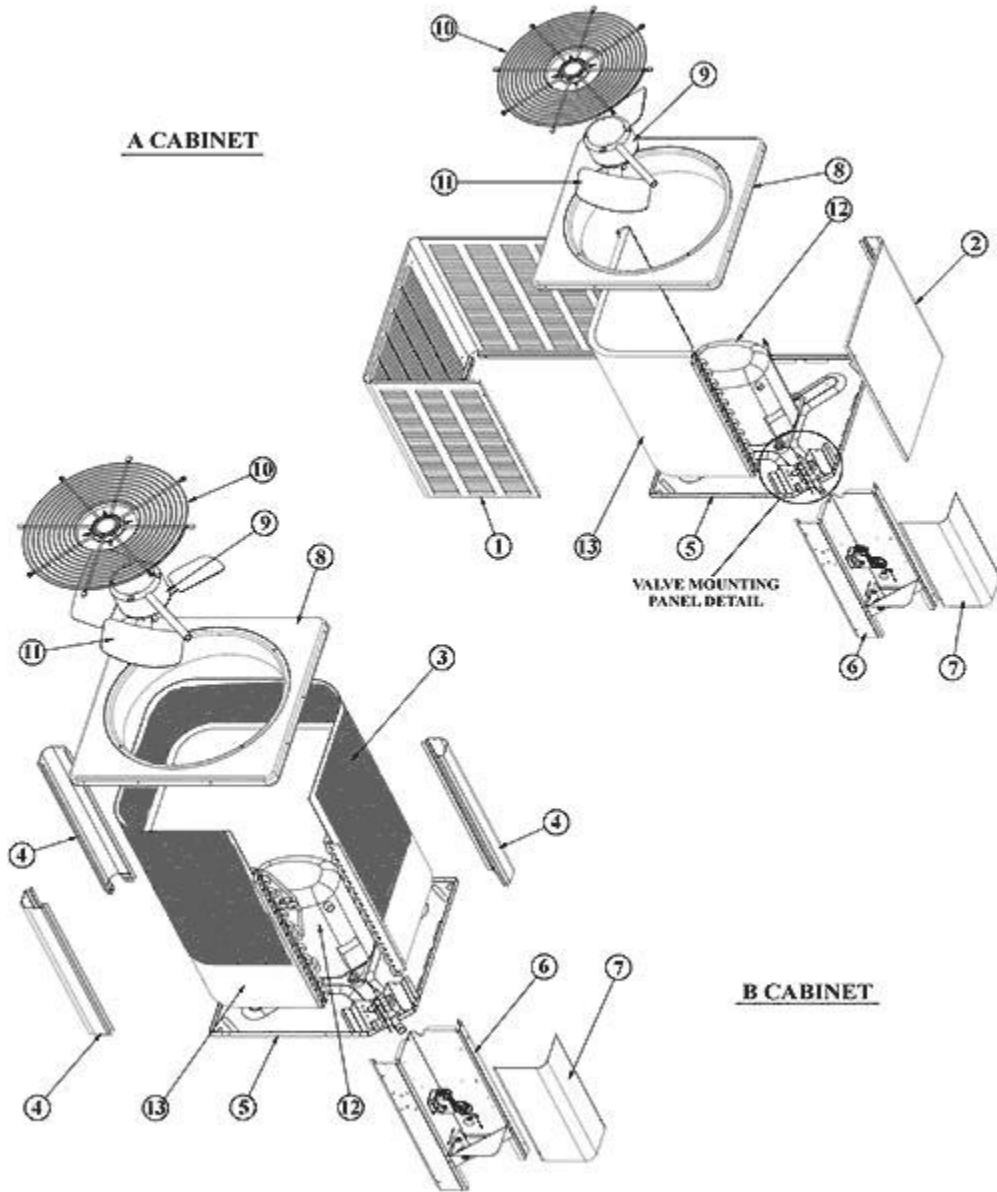
No.	Notes	MODEL COOLING CAPACITY VARIATION	13AJA	13AJA	13AJA	13AJA
			18 A01	18 B01	24 A01	24 B01
COMPRESSOR GROUP						
IMPORTANT NOTE: Replacement Compressors MUST be selected using the Compressor ID from the unit's Serial Number. Do not interchange compressors from other Compressor ID's used on the model. See Note 2 and cross-references below for information regarding retrofit of Bristol reciprocating compressors with Copeland scroll compressors.						
		Compressor ID:	7276	7276	7402	7402
12	2	Original Compressor - See Note 2	55-101545-05S	55-101545-05S	55-101545-17	55-101545-17
12	Stk,2	Replacement Compressor (Retrofit Kit Required) - See Note 2	55-100835-30S	55-100835-30S	55-100835-07S	55-100835-07S
	Stk,2	Retrofit Kit - See Note 2	831001	831001	831001	831001
		Muffler/Check Valve	83-101828-01	83-101828-01	83-101828-01	83-101828-01
21		Capacitor - Compressor/Fan	43-26261-04	43-26261-04	43-101665-44	43-101665-44
		Compressor ID:	7401	7401	7729	
12	2	Original Compressor - See Note 2	55-101545-16	55-101545-16	55-101545-28S	
12	Stk,2	Replacement Compressor (Retrofit Kit Required) - See Note 2	55-100835-30S	55-100835-30S	55-100835-07S	
	Stk,2	Retrofit Kit - See Note 2	831001	831001	831001	
	Stk,2	Check Valve	N/A	N/A	83-102440-01	
		Muffler/Check Valve	83-101828-01	83-101828-01	N/A	
21		Capacitor - Compressor/Fan	43-26261-04	43-26261-04	43-101665-44	
		Compressor ID:	7728		7277	7277
12	2	Original Compressor - See Note 2	55-101545-26S		55-101545-06S	55-101545-06S
12	Stk,2	Replacement Compressor (Retrofit Kit Required) - See Note 2	55-100835-30S		55-100835-07S	55-100835-07S
	Stk,2	Retrofit Kit - See Note 2	831001		831001	831001
		Check Valve	83-102440-01		N/A	N/A
		Muffler/Check Valve	N/A		83-101828-01	83-101828-01
21		Capacitor - Compressor/Fan	43-26261-04		43-101665-44	43-101665-44
		Compressor ID:	7652		7653	
12	Stk	Compressor	55-100835-30S		55-100835-07S	
21	Stk	Capacitor - Compressor/Fan	43-26261-03		43-101665-44	
	Stk	Compressor Wiring Harness (Molded Plug)	45-100834-80		45-100834-80	
		Compressor ID:	8341		8342	
12	Stk	Compressor	55-102045-67S		55-102045-68S	
21	Stk	Capacitor - Compressor/Fan	43-101665-03		43-101665-44	
	Stk	Compressor Wiring Harness (Molded Plug)	45-100834-80		45-100834-80	

No.	Notes	MODEL COOLING CAPACITY VARIATION	13AJA	13AJA	13AJA	13AJA
			30 A01	30 B01	36 A01	36 B01
COMPRESSOR GROUP						
IMPORTANT NOTE: Replacement Compressors MUST be selected using the Compressor ID from the unit's Serial Number. Do not interchange compressors from other Compressor ID's used on the model. See Note 2 and cross-references below for information regarding retrofit of Bristol reciprocating compressors with Copeland scroll compressors.						
		Compressor ID:	7278	7278	7404	7404
12	2	Original Compressor - See Note 2	55-101545-07S	55-101545-07S	55-101545-19S	55-101545-19S
12	Stk,2	Replacement Compressor (Retrofit Kit Required) - See Note 2	55-100835-17S	55-100835-17S	55-100835-25S	55-100835-25S
	Stk,2	Retrofit Kit - See Note 2	831002	831002	831003	831003
		Muffler/Check Valve	83-101828-01	83-101828-01	83-101828-01	83-101828-01
21		Capacitor - Compressor/Fan	43-101665-44	43-101665-44	43-26261-09	43-23204-26
		Compressor ID:	7403	7403	7279	7279
12	2	Original Compressor - See Note 2	55-101545-18	55-101545-18	55-101545-08S	55-101545-08S
	Stk,2	Replacement Compressor (Retrofit Kit Required) - See Note 2	55-100835-17S	55-100835-17S	55-100835-25S	55-100835-25S
	Stk,2	Retrofit Kit - See Note 2	831002	831002	831003	831003
		Muffler/Check Valve	83-101828-01	83-101828-01	83-101828-01	83-101828-01
21		Capacitor - Compressor/Fan	43-101665-44	43-101665-44	43-26261-26	43-26261-09
		Compressor ID:			7675	
12	2	Original Compressor - See Note 2			55-101545-19S	
12	Stk,2	Replacement Compressor (Retrofit Kit Required) - See Note 2			55-100835-25S	
	Stk,2	Retrofit Kit - See Note 2			831003	
		Muffler/Check Valve			83-101828-01	
21		Capacitor - Compressor/Fan			43-26261-09	
		Compressor Wiring Harness (Molded Plug)			N/A	
		Compressor ID:	7654		7655	
12	Stk	Compressor	55-100835-17S		55-100835-25S	
21	Stk	Capacitor - Compressor/Fan	43-26271-41		43-26261-15	
	Stk	Compressor Wiring Harness (Molded Plug)	45-100834-80		45-100834-80	
		Compressor ID:	8343		8344	
12	Stk	Compressor	55-102045-69S		55-102045-70S	
21	Stk	Capacitor - Compressor/Fan	43-101665-41		43-101665-15	
	Stk	Compressor Wiring Harness (Molded Plug)	45-100834-80		45-100834-80	

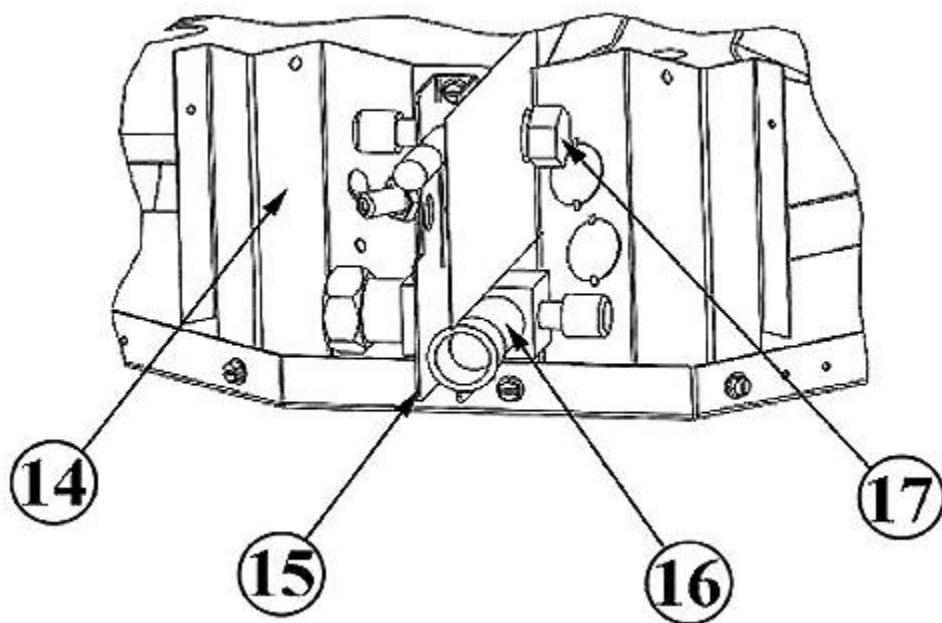
No.	Notes	MODEL COOLING CAPACITY VARIATION			13AJA 42 A01	13AJA 42 B01
COMPRESSOR GROUP						
IMPORTANT NOTE: Replacement Compressors MUST be selected using the Compressor ID from the unit's Serial Number. Do not interchange compressors from other Compressor ID's used on the model. See Note 2 and cross-references below for information regarding retrofit with Copeland scroll compressors.						
		Compressor ID:			7676 / 7280	7280
12	2	Original Compressor - See Note 2			55-101545-15S	55-101545-15S
12	Stk,2	Replacement Compressor (Retrofit Kit Required) - See Note 2			55-100835-10S	55-100835-10S
	Stk,2	Retrofit Kit - See Note 2			831005	831005
21		Capacitor - Compressor/Fan			43-26261-17	43-26261-17
		Compressor ID:			7656	
12	Stk	Compressor			55-100835-10S	
21	Stk	Capacitor - Compressor/Fan			43-26261-17	
	Stk	Compressor Wiring Harness (Molded Plug)			45-100834-80	
		Compressor ID:			8345	
12	Stk	Compressor			55-102045-71S	
21	Stk	Capacitor - Compressor/Fan			43-101665-17	
	Stk	Compressor Wiring Harness (Molded Plug)			45-100834-80	

No.	Notes	MODEL COOLING CAPACITY VARIATION	13AJA 48 A01	13AJA 48 B01	13AJA 60 A01	13AJA 60 B01
COMPRESSOR GROUP						
IMPORTANT NOTE: Replacement Compressors MUST be selected using the Compressor ID from the unit's Serial Number. Do not interchange compressors from other Compressor ID's used on the model.						
		Compressor ID:	7677 / 7281	7281	7678 / 7282	7282
12	Stk	Compressor	55-23148-35S	55-23148-35S	55-23148-37S	55-23148-37S
21	Stk	Capacitor - Compressor/Fan	43-26271-39	43-26271-39	43-26271-47	43-26271-47
		Compressor ID:	7657		7658	
12	Stk	Compressor	55-100835-53S		55-100835-18S	
21	Stk	Capacitor - Compressor/Fan	43-26261-38		43-26261-30	
	Stk	Compressor Wiring Harness (Molded Plug)	45-100834-80		45-100834-80	
		Compressor ID:	8346		8347	
12	Stk	Compressor	55-102045-72S		55-102045-73S	
21	Stk	Capacitor - Compressor/Fan	43-101665-38		43-101665-30	
	Stk	Compressor Wiring Harness (Molded Plug)	45-100834-80		45-100834-80	

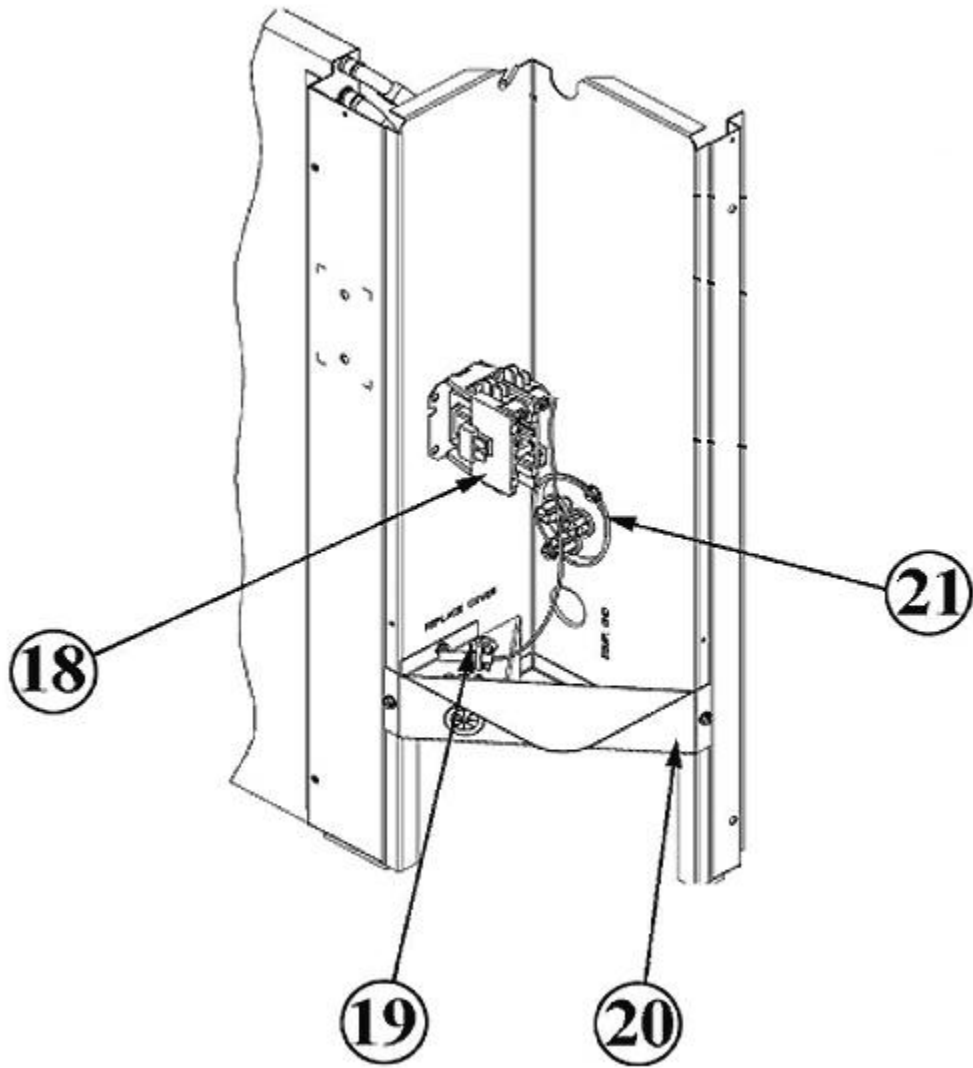
No.	Notes	MODEL COOLING CAPACITY VARIATION	13AJA ALL ALL
ACCESORIES			
		Low Ambient Control	RXAD-A04
		Compressor Time Delay Control	RXMD-B01
		High Pressure Control	RXAB-A03
		Low Pressure Control	RXAC-A03



Exploded View



Valve Mounting Assembly



Control Box

NOTES

Stk It is recommended that stock be maintained for this part.

N/A Not Applicable

- 1 70-100580-03 / 70-100580-04 is a 3-blade design, and 70-102011-03 / 70-102011-04 / 70-102011-10 is a 2-blade design. The replacement fan blades are interchangeable on the listed units, and either may be used for replacement.
- 2 This compressor should be replaced with the designated Copleland scroll (55-100835 series) and the specified Retrofit Kit. USE OF THE RETROFIT KIT IS REQUIRED WHEN PERFORMING THIS REPLACEMENT. Failure to use the kit will greatly increase the likelihood of future compressor failure and will void the compressor warranty.

DISCLAIMER: This document is intended to provide general replacement parts information to aid qualified service personnel in the repair of these models. The complete Model and Serial Number of the unit under repair should be specified when selecting and ordering replacement parts. Specifications and illustrations are subject to change without notice. Document 92-42805-13AJA supersedes all previous parts lists for these models. See <http://www.rheempartslists.net/92-42805-13AJA> for the latest revision of this document. The manufacturer assumes no obligation for errors or omissions. Service personnel must verify the proper and safe operation of equipment after the replacement of any original components.