



RPLA

Parts List
19-July-2011



*This parts list is current as of the above revision date.
See <http://www.rheempartslists.net/92-42800-RPLA.pdf> for the current revision.*

Heat Pumps

Table of Contents

Model Explanation	Page 3
Parts Numbers	
Panels - Miscellaneous.....	Page 4
Electrical Group.....	Page 5
Fan Group	Page 6
Coil Parts	Page 7
Compressor Group.....	Page 8
Accessories.....	Page 9
Drawings/Photographs	
Exploded View	Page 10
Control Box Assembly.....	Page 11
Notes/Disclaimer	Page 12

MODEL NUMBER EXPLANATION

R	P	L	A	-	0	2	4	J	A	S
(1)	(2)	(3)	(4)			(5)		(6)	(7)	(8)

- | | |
|--|--|
| <p>(1) TRADEBRAND IDENTIFICATION</p> <p>(2) MODEL
P = Heat Pump</p> <p>(3) TYPE
L= High Efficiency</p> <p>(4) DESIGN SERIES / VARIATION</p> <p>(5) COOLING CAPACITY
018/019 = 18,000 BTU/HR
024/025 = 24,000 BTU/HR
030/031 = 30,000 BTU/HR
036/037 = 36,000 BTU/HR
041/042/043 = 42,000 BTU/HR
048/049 = 48,000 BTU/HR
060/061 = 60,000 BTU/HR</p> | <p>(6) ELECTRICAL DESIGNATION
J= 208-230/1/60</p> <p>(7) VARIATIONS
A= Standard Model</p> <p>(8) COMPRESSOR
S= Sweat w/Scroll</p> |
|--|--|

SERIAL NUMBER EXPLANATION

4	9	1	0	M	1	5	9	3	9	9	9	9	9
(1)				(2)	(3)			(4)		(5)			

- (1) COMPRESSOR IDENTIFICATION NUMBER**
- (2) PRODUCTION LOCATION**
M= Milledgeville, GA
- (3) WEEK OF PRODUCTION**
- (4) YEAR OF PRODUCTION**
- (5) PRODUCTION NUMBER**

No.	Notes	MODEL COOLING CAPACITY	RPLA -018/-019	RPLA -024/-025	RPLA -030/031	RPLA -036/-037
SHEET METAL PARTS, MISCELLANEOUS						
1		Base Pan	AE-58426-02	AE-58426-02	AE-58426-02	AE-58426-03
2		Cabinet	AE-58428-04	AE-58428-04	AE-58428-04	AE-58428-06
3		Grille	AS-58470-02	AS-58470-02	AS-58470-02	AS-58470-03
4		Venturi	AE-58427-05	AE-58427-05	AE-58427-05	AE-58427-07
5		Control Box	AE-58432-01	AE-58432-01	AE-58432-01	AE-58432-01
6		Access Panel	AE-58431-04	AE-58431-04	AE-58431-04	AE-58431-06

No.	Notes	MODEL COOLING CAPACITY	RPLA -041/-042/-043	RPLA -048/-049	RPLA -060/-061	
SHEET METAL PARTS, MISCELLANEOUS						
1		Base Pan	AE-58426-03	AE-58426-03	AE-58426-03	
2		Cabinet	AE-58428-06	AE-58428-06	AE-58428-06	
3		Grille	AS-58470-03	AS-58470-03	AS-58470-03	
4		Venturi	AE-58427-08	AE-58427-08	AE-58427-08	
5		Control Box	AE-58432-01	AE-58432-01	AE-58432-01	
6		Access Panel	AE-58431-06	AE-58431-06	AE-58431-06	

No.	Notes	MODEL COOLING CAPACITY VARIATION	RPLA 018 JAS/JAZ	RPLA 019 JAZ	RPLA 024 JAS/JAZ	RPLA 025 JAZ	RPLA 030 JAS/JAZ	RPLA 031 JAZ	RPLA 036 JAS/JAZ
ELECTRIC GROUP									
CONTROL BOX COMPONENTS:									
12	Stk	Defrost Control Board	47-21776-06	47-21517-16	47-21776-06	47-21517-16	47-21776-06	47-21517-16	47-21776-06
	Stk	Defrost Relay	42-21579-06	N/A	42-21579-06	N/A	42-21579-06	N/A	42-21579-06
14	Stk	Contactactor	42-20044-02	42-20044-02	42-20044-02	42-20044-02	42-20044-02	42-20044-02	42-20044-02
		Capacitor Adapter Plate (2 in. round capacitor)	AE-54609-01	AE-54609-01	AE-54609-01	AE-54609-01	AE-54609-01	AE-54609-01	AE-54609-01
15		Capacitor - Compressor/Fan	See Compressor Group						
16		Compressor Time Delay Relay	See Accessories Group						
	Stk	High Pressure Control	47-21604-01	47-21604-03	47-21604-01	47-21604-03	47-21604-01	47-21604-03	47-21604-01
	Stk	Defrost Sensor	47-21777-09	N/A	47-21777-09	N/A	47-21777-09	N/A	47-21777-09

No.	Notes	MODEL COOLING CAPACITY VARIATION	RPLA 037 JAZ	RPLA 041 JAZ	RPLA 042 JAS/JAZ	RPLA 043 JAZ	RPLA 048 JAS/JAZ	RPLA 049 JAZ	RPLA 060 JAS/JAZ
ELECTRIC GROUP									
CONTROL BOX COMPONENTS:									
12	Stk	Defrost Control Board	47-21517-16	47-21517-16	47-21776-06	47-21776-06	47-21776-06	47-21517-16	47-21776-06
	Stk	Defrost Relay	N/A	N/A	42-21579-06	42-21579-06	42-21579-06	N/A	42-21579-06
14	Stk	Contactactor	42-20044-02	42-20044-01	42-20044-01	42-20044-01	42-42478-02	42-42478-02	42-42478-02
		Capacitor Adapter Plate (2 in. round capacitor)	AE-54609-01	AE-54609-01	AE-54609-01	AE-54609-01	AE-54609-01	AE-54609-01	AE-54609-01
15		Capacitor - Compressor/Fan	See Compressor Group						
16		Compressor Time Delay Relay	See Accessories Group						
	Stk	High Pressure Control	47-21604-03	47-21604-03	47-21604-01	47-21604-03	47-21604-01	47-21604-03	47-21604-01
	Stk	Defrost Sensor	N/A	N/A	47-21777-09	N/A	47-21777-09	N/A	47-21777-09

No.	Notes	MODEL COOLING CAPACITY VARIATION	RPLA 061 JAZ						
ELECTRIC GROUP									
CONTROL BOX COMPONENTS:									
12	Stk	Defrost Control Board	47-21517-16						
	Stk	Defrost Relay	N/A						
14	Stk	Contactactor	42-42478-02						
		Capacitor Adapter Plate (2 in. round capacitor)	AE-54609-01						
15		Compressor Run Capacitor	See Compressor Group						
16		Compressor Time Delay Relay	See Accessories Group						
	Stk	High Pressure Control	47-21604-03						
	Stk	Defrost Sensor	N/A						

No.	Notes	MODEL COOLING CAPACITY VARIATION	RPLA 018 JAS/JAZ	RPLA 019 JAZ	RPLA 024 JAS/JAZ	RPLA 025 JAZ	RPLA 030 JAS/JAZ	RPLA 031 JAZ	RPLA 036 JAS/JAZ	
FAN GROUP										
10	Stk	Fan Motor	51-21856-01	51-21856-01	51-21856-01	51-21856-01	51-21856-01	51-21856-01	51-21855-02	
15		Capacitor - Fan Motor	See Compressor Group							
		Motor Mounting Bracket	AS-55306-02	AS-55306-02	AS-55306-02	AS-55306-02	AS-55306-02	AS-55306-02	AS-55306-02	
11	Stk	Fan Blade	70-21858-09	70-21858-09	70-21858-09	70-21858-09	70-21858-09	70-21858-09	70-21859-02	

No.	Notes	MODEL COOLING CAPACITY VARIATION	RPLA 037 JAZ	RPLA 041 JAZ	RPLA 042 JAS/JAZ	RPLA 043 JAZ	RPLA 048 JAS/JAZ	RPLA 049 JAZ	RPLA 060 JAS/JAZ	
FAN GROUP										
10	Stk	Fan Motor	51-21855-02	51-21853-11	51-21853-11	51-21853-11	51-21853-11	51-21853-11	51-21853-11	
15		Capacitor - Fan Motor	See Compressor Group							
		Motor Mounting Bracket	AS-55306-02	AS-55306-02	AS-55306-02	AS-55306-02	AS-55306-02	AS-55306-02	AS-55306-02	
11	Stk	Fan Blade	70-21859-02	70-21859-03	70-21859-03	70-21859-03	70-21859-03	70-21859-03	70-21859-03	

No.	Notes	MODEL COOLING CAPACITY VARIATION	RPLA 061 JAZ							
FAN GROUP										
10	Stk	Fan Motor	51-21853-11							
15		Capacitor - Fan Motor	See Compressor Group							
		Motor Mounting Bracket	AS-55306-02							
11	Stk	Fan Blade	70-21859-03							

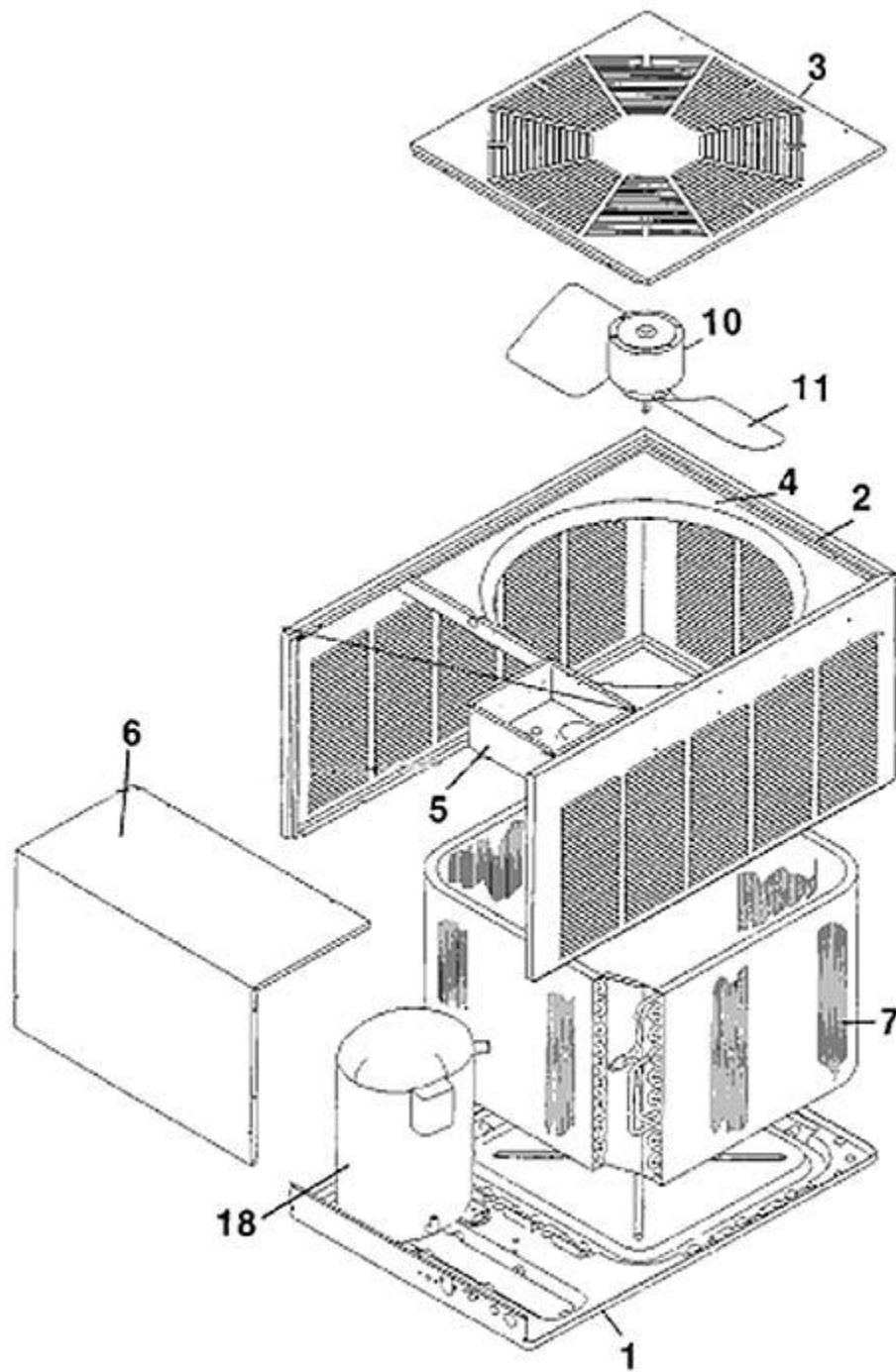
No.	Notes	MODEL COOLING CAPACITY VARIATION	RPLA 018 JAS/JAZ	RPLA 019 JAZ	RPLA 024 JAS/JAZ	RPLA 025 JAZ	RPLA 030 JAS/JAZ	RPLA 031 JAZ	RPLA 036 JAS	RPLA 036 JAZ
COIL GROUP										
7	Stk	Condenser Coil w/o Flowcheck Piston	AS-58415-03	AS-58415-03	AS-58441-03	AS-58441-03	AS-58442-03	AS-58442-03	AS-58443-03	AS-58443-03
		Flowcheck Distributor w/o Flowcheck Piston	61-23413-02	61-26113-02	61-26113-02	61-26113-02	61-23413-03	61-23413-03	61-23413-03	61-23413-03
		Flowcheck Piston Kit	61-23414-39	61-23414-39	61-25414-41	61-25414-41	61-23414-53	61-23414-53	61-23414-47	61-23414-55
		Accumulator	See Compressor Group							
		Muffler	See Compressor Group							
	Stk	Reversing Valve	61-22881-04	61-22881-04	61-22881-04	61-22881-04	61-22881-02	61-22881-02	61-22881-02	61-22881-02
	Stk	Solenoid Coil - Reversing Valve	61-22883-81	61-22883-81	61-22883-81	61-22883-81	61-22883-81	61-22883-81	61-22883-81	61-22883-81
		Wiring Harness - Reversing Valve	61-26149-04	61-26149-04	61-26149-04	61-26149-04	61-26149-04	61-26149-04	61-26149-04	61-26149-04
		Service Valve - Liquid	61-21368-13	61-21368-13	61-21368-13	61-21368-13	61-21368-13	61-21368-13	61-21368-13	61-21368-13
		Service Valve - Suction	61-21368-15	61-21368-15	61-21368-15	61-21368-15	61-21368-15	61-21368-15	61-21368-15	61-21368-15
	Stk	Filter Drier	83-25152-05	83-25152-05	83-25152-05	83-25152-05	83-25152-05	83-25152-05	83-25152-05	83-25152-05

No.	Notes	MODEL COOLING CAPACITY VARIATION	RPLA 037 JAZ	RPLA 041 JAZ	RPLA 042 JAS/JAZ	RPLA 043 JAZ	RPLA 048 JAS/JAZ	RPLA 049 JAZ	RPLA 060 JAS/JAZ	RPLA 061 JAZ
COIL GROUP										
7	Stk	Condenser Coil w/o Flowcheck Piston	AS-58443-03	AS-58770-03	AS-58443-03	AS-58770-03	AS-58407-01	AS-58407-01	AS-58407-01	AS-58407-01
		Flowcheck Distributor w/o Flowcheck Piston	61-26113-13	61-26113-13	61-26113-13	61-26113-13	61-26113-06	61-26113-16	61-26113-06	61-26113-06
		Flowcheck Distributor w/Flowcheck Piston	N/A	N/A	N/A	N/A	N/A	61-101306-59	N/A	N/A
		Flowcheck Piston Kit	61-22613-55	61-22613-57	61-23414-57	61-22613-57	61-23414-59	61-22613-59	61-25414-73	61-22613-73
		Accumulator	See Compressor Group							
		Muffler	See Compressor Group							
		Charge Compensator	N/A	N/A	N/A	N/A	83-25361-05	83-25361-05	83-25361-05	83-25361-05
	Stk	Reversing Valve	61-22881-02	61-22881-02	61-22881-02	61-22881-02	61-22881-03	61-22881-03	61-22881-03	61-22881-03
	Stk	Solenoid Coil - Reversing Valve	61-22883-81	61-22883-81	61-22883-81	61-22883-81	61-22883-81	61-22883-81	61-22883-81	61-22883-81
		Wiring Harness - Reversing Valve	61-26149-04	61-26149-04	61-26149-04	61-26149-04	61-26149-04	61-26149-04	61-26149-04	61-26149-04
		Service Valve - Liquid	61-21368-13	61-101160-13	61-101160-13	61-101160-13	61-101160-13	61-101160-13	61-101160-13	61-101160-13
		Service Valve - Suction	61-21368-15	61-101160-16	61-101160-16	61-101160-16	61-101160-16	61-101160-16	61-101160-16	61-101160-16
	Stk	Filter Drier	83-25152-05	83-25152-05	83-25152-05	83-25152-05	83-25152-05	83-25152-05	83-25152-05	83-25152-05

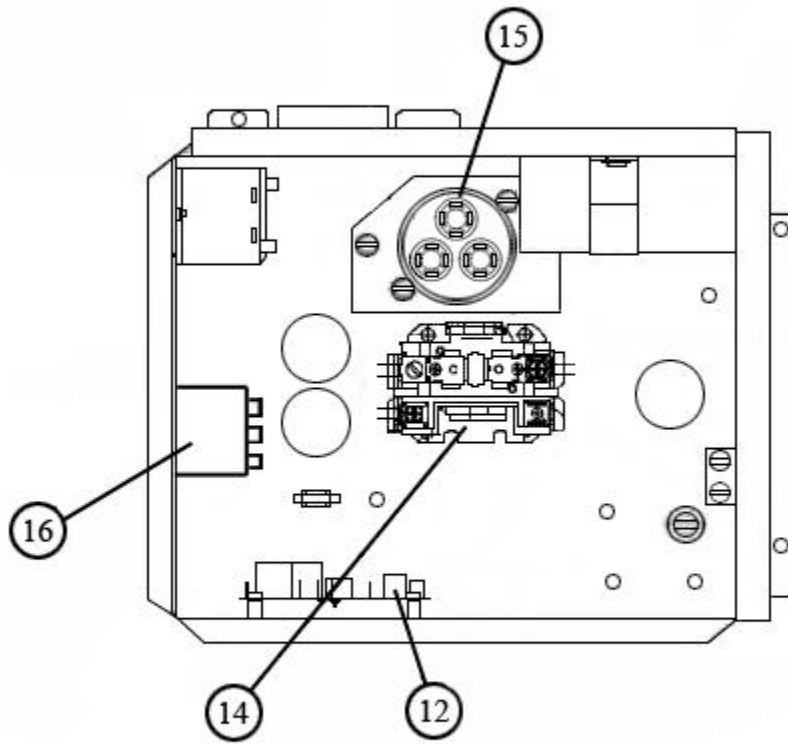
No.	Notes	MODEL COOLING CAPACITY ELECTRICAL DESIGNATION	RPLA 018 JAS/JAZ	RPLA 019 JAZ	RPLA 024 JAS/JAZ	RPLA 025 JAZ	RPLA 030 JAS/JAZ	RPLA 031 JAZ	RPLA 036 JAS	RPLA 036 JAZ
COMPRESSOR GROUP										
		Compressor ID:	5155	6403	5156	6404	5157	6405	5158	5158
18	Stk	Compressor	55-21737-10S	55-23140-03S	55-21737-07	55-23140-07	55-21737-04S	55-23140-11	55-21737-05	55-21737-05
15	Stk	Capacitor - Fan/Compressor	43-23204-02	43-26261-03	43-23204-03	43-26261-04	43-23204-04	43-26261-05	43-23204-05	43-23204-05
	Stk	Discharge Temperature Thermostat Switch	N/A	N/A	47-21809-81	N/A	N/A	N/A	N/A	N/A
		Compressor Time Delay Relay	See Accessories Group							
	Stk	Accumulator	83-22557-03	83-22459-03	83-22459-03		83-22459-04		83-22459-05	83-22459-05
	Stk	Muffler	83-20438-05	83-20438-04	83-20438-05		83-20438-04		83-20438-04	83-20438-04
		Compressor ID:	6080		6081		6082			6083
18	Stk	Compressor	55-23140-03S		55-23140-07S		55-23140-11			55-23140-19
15	Stk	Capacitor - Fan/Compressor	43-26261-03		43-23204-04		43-23204-05			43-26261-33
		Compressor Time Delay Relay	See Accessories Group							
	Stk	Accumulator	83-22459-03		83-22459-03		83-22459-04			83-22459-05
	Stk	Muffler	83-20438-04		83-20438-04		83-20438-04			83-20438-04

No.	Notes	MODEL COOLING CAPACITY ELECTRICAL DESIGNATION	RPLA 037 JAZ	RPLA 041 JAZ	RPLA 042 JAS/JAZ	RPLA 043 JAZ	RPLA 048 JAS/JAZ	RPLA 049 JAZ	RPLA 060 JAS/JAZ	RPLA 061 JAZ
COMPRESSOR GROUP										
		Compressor ID:	6406	6407	5159	5790	5160	6882	5161	6409
18	Stk	Compressor	55-23140-19	55-23139-41	55-21737-06	55-23139-41	55-21737-08	55-23159-01	55-21737-18	55-23139-29
15	Stk	Capacitor - Fan/Compressor	43-23204-06	43-26261-19	43-23204-06	43-26261-19	43-23204-10	43-26261-20	43-23204-18	43-26261-29
		Compressor Time Delay Relay	See Accessories Group							
	Stk	Accumulator	83-22459-05	83-22459-05	83-22459-05	83-22459-05	83-22459-09	83-22459-09	83-22459-09	83-22459-09
	Stk	Muffler	83-20438-04	83-20438-04	83-20438-04	83-20438-04	83-20438-04	83-20438-04	83-20438-04	83-20438-04
		Compressor ID:					5735	6408	5737	
	Stk	Compressor					55-23139-37	55-23139-37	55-23139-29	
	Stk	Capacitor - Fan/Compressor					43-26261-19	43-26261-19	43-26261-29	
		Compressor Time Delay Relay	See Accessories Group							
	Stk	Accumulator					83-22459-09	83-22459-09	83-22459-09	
	Stk	Muffler					83-20438-04	83-20438-04	83-20438-04	
		Compressor ID:							5736	
	Stk	Compressor							55-21737-29	
	Stk	Capacitor - Fan/Compressor							43-26261-29	
		Compressor Time Delay Relay	See Accessories Group							
	Stk	Accumulator							83-22459-09	
	Stk	Muffler							83-20438-04	

No.	Notes	MODEL	RPLA
		COOLING CAPACITY	ALL
ACCESSORIES			
		Low Ambient Control Kit	RXPZ-C01
		Heat Pump Monitor Kit	RXPM-B01
		Outdoor Thermostat (One Thermostat w/box)	RXPT-A01
		Outdoor Thermostat (One Thermostat w/o box)	RXPT-A02
		Outdoor Thermostat (One w/Heat Relay and box)	RXPT-A03
		Outdoor Thermostat (Two Thermostats w/Heat and box)	RXPT-A04
		Compressor Time Delay Control	RXMD-B01
		Blower Time Delay Control	RXMD-C02



Exploded View



Control Box Assembly

NOTES

Stk It is recommended that stock be maintained for this part.
N/A Not Applicable

DISCLAIMER: This document is intended to provide general replacement parts information to aid qualified service personnel in the repair of these models. The complete Model and Serial Number of the unit under repair should be specified when selecting and ordering replacement parts. Specifications and illustrations are subject to change without notice. Document 92-42800-RPLA supersedes all previous parts lists for these models. See <http://www.rheempartslists.net/92-42800-RPLA> for the latest revision of this document. The manufacturer assumes no obligation for errors or omissions. Service personnel must verify the proper and safe operation of equipment after the replacement of any original components.