

# CASE STORY

## Luxury home application

Submitted by  
Rusty George, General Manager  
R.L. Feezer Construction Inc.  
Sykesville, Maryland

Central Maryland illustrates a common problem when it comes to water pressure for larger homes. The water level in the area's 6" rock wells is very deep, and the yields are inadequate to pump from the well direct to housing fixtures. Therefore a holding tank becomes necessary. Often the only place to install a holding tank is in the basement – particularly in the North East where sub-zero temperatures are common during winter.

Installing a 600 - 1000 gallon holding tank in a basement presents another problem....how to get a large 32" wide X 62" long X 62" tall, rectangular holding tank down a flight of stairs that, halfway, turns left at a landing and through a 30" doorway. Since the tank is larger than the door's opening size, the door's frame must be widened to fit the unruly holding tank.



With EZ Boost there are more tank options

Typical EZ Boost residential installation

However, R. L. Feezer Construction Inc. solves this problem with Grundfos EZ Boost. According to General Manager Rusty George, "Traditional tank sizes are dictated because the pressure boosting pump has to be mounted inside the tank, requiring a large tank. With EZ Boost's external installation, we have many more options for tank selection, so now we use a round tank that is easier to install, costs less, and eliminates expensive rework of door jambs." The result was a savings to the homeowner in terms of the cost of the tank and labor.

Being responsible is our foundation  
Thinking ahead makes it possible  
Innovation is the essence

# GRUNDFOS EZ BOOST™ SYSTEM

## Grundfos — a world-wide supplier

Grundfos offers an efficient world-wide service network. Experienced service technicians and all necessary spare parts are available at short notice in all corners of the world.



- Reliable, economical pressure boosting for smaller buildings
- medical offices
  - restaurants
  - homes
  - condos
  - irrigation
  - grocery

# Pressure boosting made EZ

## EZ Boost Quick Sizing Guide

Choosing the appropriate EZ Boost pump for your application is simple:

1. Determine how much pressure you need at your maximum flow.
2. Find out how much pressure you have available (minimum inlet pressure).
3. Select a pump from the chart that gives you the difference.

Example: I need maximum 15 gpm with a total pressure of 60 psi.  
My minimum inlet pressure available is 20 psi, so I need a boost of 40 psi.  
The correct selection would be a Model 15 BMQE 05A-110.

Additional (boost) pressure required in PSI	5	10	15	20	25	30	35	39
90			15 BMQE 07B-180	22 BMQE 10C-190				
80								
70								
60		15 BMQE 05A-110						
50				22 BMQE 05B-120				
40						30 BMQE 10C-130		
30				22 BMQE 05A-80				
20						30 BMQE 05B-90		
10								

L-EZ-SL-001 3/06 (US)  
Subject to alterations

GRUNDFOS Pumps Corporation  
17100 West 118th Terrace  
Olathe, Kansas 66061  
Telephone: 913 227 3400  
Fax: 913 227 3500  
www.grundfos.com

GRUNDFOS Canada Inc.  
2941 Brighton Road  
Oakville, Ontario L6H 6C9 Canada  
Telephone: 905 829 9533  
Fax: 905 829 9512

Bombas GRUNDFOS de Mexico S.A. de C.V.  
Boulevard T1C #15  
Parque Stiva Aeropuerto  
Apodaca, N.L. Mexico 66600  
Telephone: 52 81 8144 4000  
Fax: 52 81 8144 4010



BE > THINK > INNOVATE >





## EZ BOOST™ SYSTEM

### EZ Boost System solves low water pressure

If your problem is low water pressure, Grundfos EZ Boost is your solution. Grundfos EZ Boost provides constant water pressure – even while multiple taps are on, and is perfect for large residential & light commercial pressure boosting applications:

- medical offices
- restaurants
- homes
- condos
- irrigation
- grocery
- plus many other boosting applications

Grundfos' EZ Boost is a complete pressure boosting system that includes pump, controller, tank, mounting brackets, and pressure sensor. Its high-quality construction and rugged design ensures low-maintenance and trouble free operation. EZ Boost can be installed just about anywhere; it is simple to install and simple to operate. Additionally, it is competitively priced when compared to other pressure boosting alternatives.

#### Grundfos EZ Boost features:

- Maintenance-free
  - Seal-less and self-cooling
- Dry-run protection
  - Protects the pump from damage if the water supply runs dry
- Standard home outlet voltages (single phase)
  - All models available in 230 volt and some models available in 115 volt
- Soft-start
  - Prevents water hammer in pipes and stress on the pump (also minimizes flickering lights)
- Over voltage and under voltage protection
  - Slows or stops the pump to protect the motor during unstable voltage conditions
- Many installation options:
  - Wall-mounted
  - Framed-in
  - In-ground
  - Equipment build-on
  - Portable devices

## CASE STORY

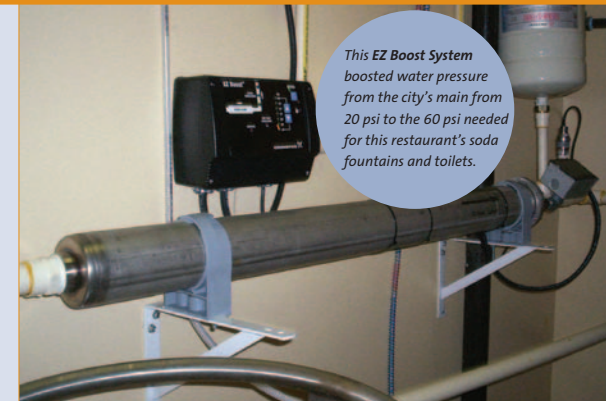
### Ice cream restaurant application

Submitted by  
Wes Blumenauer, CEO  
The Blumenauer Corporation  
Ocoee, Florida

Wes received a phone call late on a Monday afternoon from a desperate plumber looking for a pump to solve a water pressure problem at a Friendly's Ice Cream Restaurant in Clermont, Florida.

The first problem was the city's water main could only supply 20 PSI to the restaurant. The plumber said at least 60 PSI was required to operate the soda machines and flush the toilets.

The second problem was that the restaurant was slated to open on Wednesday morning – meaning a solution had to be found, installed and properly operating in one day!



Wes recommended the Grundfos EZ Boost System model 22BMQE10-190 which, fortunately, he had in stock.

On Wednesday morning, Wes stopped by the restaurant and found it packed with customers. When it was convenient he discussed the situation with the owner who was delighted with the Grundfos EZ Boost System.

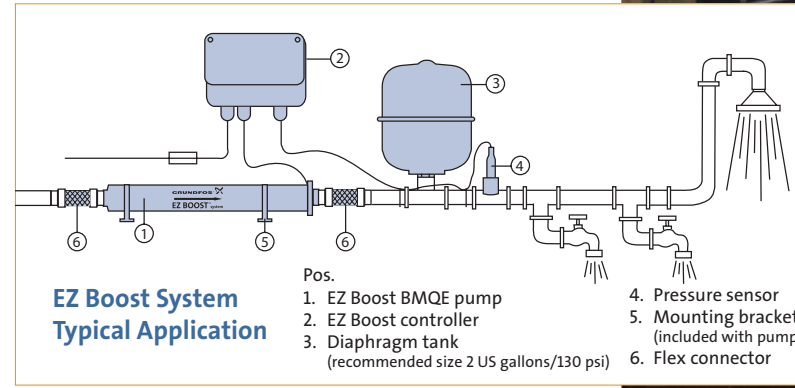
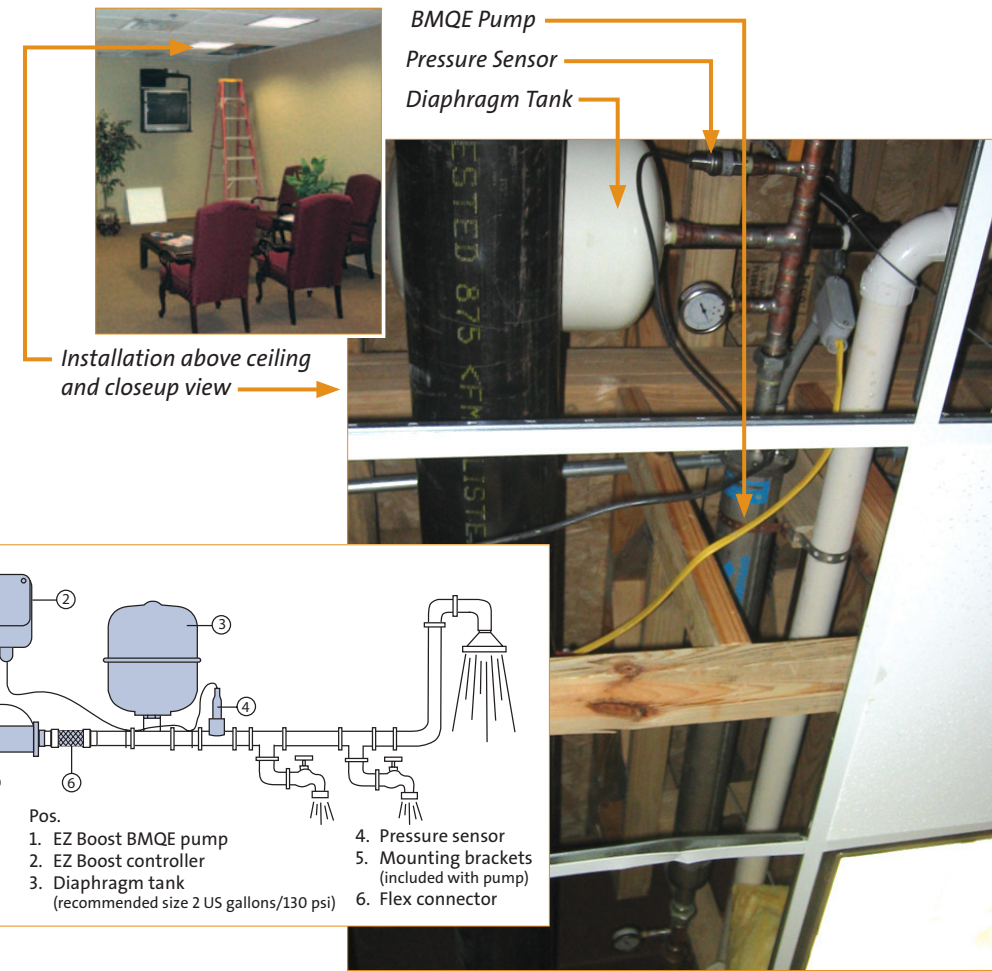
## APPLICATIONS

### Doctor's offices

With an existing office space, flexible installation options are a welcome advantage. Small offices like this one may not have much mechanical space. The solution: The EZ Boost System was installed above the lay-in ceiling.

Most pumps would be too noisy for this type of installation but not the EZ Boost System. Its variable frequency drive operation is smooth and quiet.

The pressurized diaphragm tank can sit horizontally and the pump is installed inline with the piping system.



### MRI facilities

An MRI facility might need extra pressure to cool the MRI machine. Even with space at a premium, the EZ Boost has been installed in a space as small as a janitor's closet.



### Condominiums

For multiple housing units, EZ Boost can be installed in parallel (each pump must be connected its own controller). Pumps can be installed either horizontally or vertically.



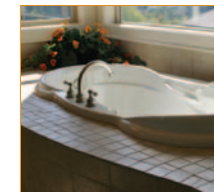
### Laundry

The EZ Boost System can make it possible to run multiple fixtures without loss in pressure. Compact, clean installation and quiet operation make EZ Boost a perfect choice for laundry applications.



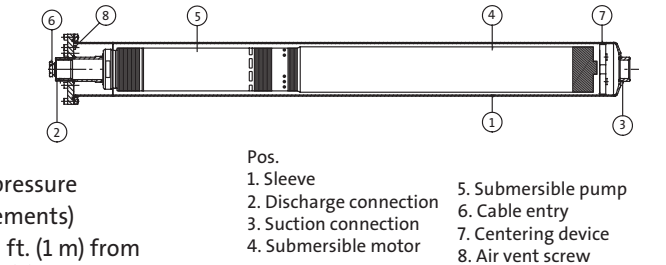
### Luxury homes

Comfort and convenience for luxury homes...with an EZ Boost System in place, an upstairs bathroom or shower can have the same water pressure as downstairs. Filling the pool... while taking a bath...while running the dishwasher! is no longer a problem.



## Technical data

Flow:	Max. 40 gpm (9 m <sup>3</sup> /h)
Head:	Max 300 ft./130 psi (91 m)
Fluid temperature:	Max. 95°F (35°C)
Ambient temperature:	Min. 32°F (0°C)
Operating pressure:	Max. 145 psi
Inlet pressure:	Min. 8 psi
Operating setpoint:	Max. limited by operating pressure
Sound pressure level:	40 to 100 psi (in 10 psi increments)
	< 74 dB(A) at a distance of 3 ft. (1 m) from the pump. Note: Sound-sensitive installations may require insulation.



## Performance curves

