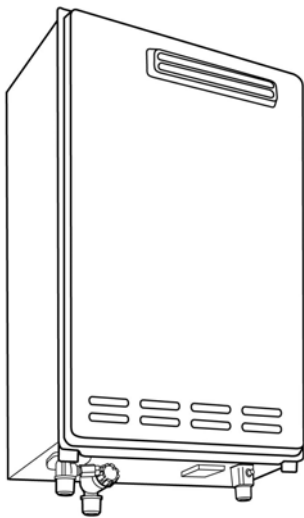


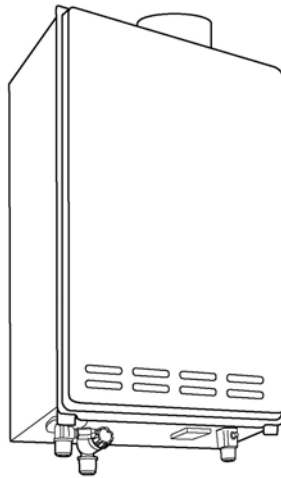


# T-K3-OS and T-K3-SP

## On-Demand Water Heater Installation Manual and Owner's Guide



**Flash Water Heater™  
Model T-K3-OS**



**Flash Water Heater™  
Model T-K3-SP**

*Suitable for potable water heating and space heating*

### WARNING

This product must be installed and serviced by a licensed plumber, a licensed gas fitter, or a professional service technician. Improper installation and/or operation, or installation by an unqualified person, will void the warranty.

### WARNING

If the information in this manual is not followed exactly, a fire or explosion may result, causing property damage, personal injury, or death.

### FEATURING

- ENDLESS HOT WATER
- ON DEMAND USAGE
- COMPACT, SPACE SAVING
- ENERGY CONSERVATION
- COMPUTERIZED SAFETY
- NO PILOT LIGHT

### TAKAGI Industrial Co. USA, Inc.

5 Whatney

Irvine, CA 92618

Toll Free: (888) 882-5244 USA

Toll Free: (877) 877-4953 CANADA

## CONTENTS

SPECIFICATIONS.....	2
INTRODUCTION.....	3
SAFETY GUIDELINES.....	4
INSTALLATION.....	5
General.....	6
Included accessories.....	6
Outdoor Installation.....	7
Indoor Installation.....	9
Venting Instructions.....	10
Gas Supply / Gas Pipe Sizing.....	14
Water Connections.....	16
Pressure Relief Valve.....	17
Electrical Connections.....	18
Remote Controller Connection.....	19
Initial Operation.....	20
NORMAL OPERATION.....	21
Normal Operation.....	21
Flow.....	22
Freeze Protection System .....	22
Temperature Settings .....	23
Maintenance and Service.....	24
GENERAL TROUBLESHOOTING.....	25
WIRING DIAGRAM.....	27
OPERATING SAFETY.....	28
APPLICATIONS.....	30
Re-Circulation.....	30
Dual-Purpose Heating.....	31
ADDITIONAL CLEARNCES.....	32
OPTIONAL ITEMS.....	33
COMPONENTS DIAGRAM.....	34
PARTS LIST.....	36
OUTPUT TEMPERATURE CHART....	38
WARRANTY .....	39

## SPECIFICATIONS T-K3-OS and T-K3-SP

Natural Gas Input (Operating Range)		Min: 11,000 Btu/h Max: 190,000 Btu/h	
LPG Input (Operating Range)		Min: 11,000 Btu/h Max: 190,000 Btu/h	
Gas Connection		¾" NTP	
Water Connections		¾" NTP	
Water Pressure		15 - 150 psi*	
Natural Gas Pressure Inlet		Min. 5.0" WC Max. 10.5" WC	
LP Gas Pressure Inlet		Min. 8.0" WC Max. 14.0" WC	
Manifold Pressure of the <b>T-K3-OS</b>		Natural: 2.8" WC Propane: 3.1" WC	
Manifold Pressure of the <b>T-K3-SP</b>		Natural: 2.4" WC Propane: 4.1" WC	
Weight		40 lbs.	
Dimensions		H20.5" x W13.8" x D8.5"	
Ignition		Electric Ignition	
Electric	Supply	120VAC (60Hz)	
	Consumption of the <b>T-K3-OS</b>	Operation	80 W (0.67A)
		Standby	6.2 W (0.05A)
		Freeze- Protection	111 W (0.93A)
	Consumption of the <b>T-K3-SP</b>	Operation	86 W (0.72A)
		Standby	6.2 W (0.05A)
Freeze- Protection		111 W (0.93A)	

### NOTE

\*40 psi or above is recommended for maximum flow

\*Check the rating plate to ensure this product matches your specifications.

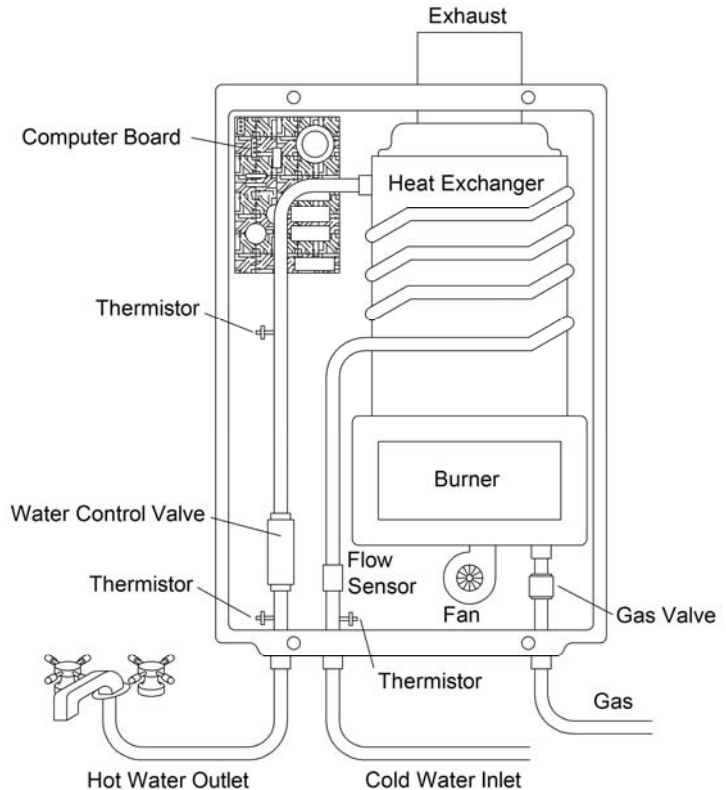
\*In accordance with ANSI Z21.10.3 and SCAQMD Rule 1146.2, CO emission does not exceed 400 PPM for normal input.

**Manufacturer reserves the right to discontinue, or change at any time, specifications or designs without notice and without incurring obligations.**

# INTRODUCTION

- This manual provides information necessary for the installation, operation, and maintenance of the Flash T-K3-OS/SP water heater.
- The model description is listed on the rating plate which is attached to the front cover of the water heater.
- Please read all installation instructions completely before installing this product.
- If you have any problems or questions regarding this equipment, consult with Takagi or its local representative.
- The T-K3-OS/SP Water Heater is an on-demand, tankless water heater designed to efficiently supply endless hot water for your needs.
- The principle behind the T-K3-OS/SP Water Heater is simple:

1. A hot water tap is turned on.
2. Water enters the heater.
3. The water flow sensor detects the water flow.
4. The computer automatically ignites the burner.
5. Water circulates through the heat exchanger and then gets hot.
6. The computer will modulate the gas supply valve and water flow to produce the right amount of hot water at the correct temperature.
7. When the tap is turned off, the unit shuts down.



\*This diagram is to illustrate Takagi's tankless water heater design concepts only and may not be accurate to the T-K3-OS/SP's physical description.

# SAFETY GUIDELINES

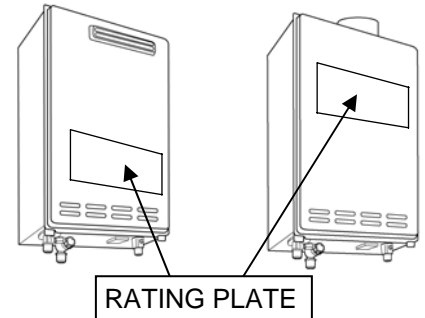


- Installation and service must be performed by a qualified installer (for example, a licensed plumber or gas fitter), otherwise the warranty by Takagi will be void.
- The installer (licensed professional) is responsible for the correct installation of your Flash T-K3-OS/SP Water Heater and for compliance with all national, state/provincial, and local codes.  
\*For all units installed in the state of Massachusetts, it is required that the installer either be a licensed plumber or licensed gas fitter.

PLEASE READ THIS MANUAL CAREFULLY AND FOLLOW ALL DIRECTIONS.

## GENERAL

1. Follow all local codes, or in the absence of local codes, follow the most recent edition of the National Fuel Gas Code: ANSI Z223.1/NFPA 54 in the USA or CAN/CSA B149.1 Natural Gas, Propane Installation Code in Canada.
2. Properly ground the unit in accordance with all local codes or in the absence of local codes, with the National Electrical Codes: ANSI/NFPA 70 in the USA or CSA standard C22.1 Canada Electrical Code Part 1 in Canada.
3. Carefully plan where you intend to install your T-K3-OS/SP Water Heater. Please ensure:
  - Your water heater will have enough combustible air and proper ventilation.
  - Locate your heater where water leakage will not damage surrounding areas (please refer to p. 5).
4. Check the rating plate for the correct **GAS TYPE, GAS PRESSURE, WATER PRESSURE and ELECTRIC RATING.**  
\*If this unit does not match your requirements, **do not install and consult with Takagi.**
5. If any problem should occur, turn off all hot water taps and turn off the gas. Then call a trained technician or the Gas Company or the manufacturer.



## WARNING

- Water temperatures over 125°F can cause severe burns instantly or death from scalding. The water temperature is set at 122°F (50°C) from the factory to minimize any scalding risk. Before bathing or showering always check the water temperature.



**Prohibited**

- Do not store or use gasoline or other flammables, vapors, or liquids in the vicinity of this appliance.
- Do not reverse the water and/or gas connections as this will damage the gas valves and can cause severe injury or death. Follow the diagram on p. 16 when installing your water heater:
- Do not use this appliance if any part has been in contact with or been immersed in water. Immediately call a licensed plumber, a licensed gas fitter, or a professional service technician to inspect and/or service the unit if necessary.
- Do not disconnect the electrical supply if the ambient temperature will drop below freezing. The Freeze Prevention System only works if the unit has electrical power. The warranty will not be covered if the heat exchanger is damaged due to freezing. Refer to the section on the Freeze Prevention System on p. 22 for more information.



# INSTALLATION

All gas water heaters require careful and correct installation to ensure safe and efficient operation. This manual must be followed exactly. Read the "Safety Guidelines" section at the beginning of this manual.



**CAUTION**

- **The T-K3-OS must be installed OUTDOORS ONLY.** DO NOT install the T-K3-OS indoors. The T-K3-SP can be installed either indoors or outdoors.
- **The warranty will not cover damage caused by water quality.** Water hardness that leads to scale formation and/or corrosion may affect/damage the water heater. Hard water scaling and/or corrosion must be avoided or controlled by proper water treatment.
- **The T-K3-OS/SP must be installed vertically.**
- **If the T-K3-SP is installed in a beauty salon,** some chemicals used in a beauty salon may affect the flame sensor. Water heater may not work properly. **TAKAGI recommends isolating the T-K3-SP from beauty salon elements.**
- Although the T-K3-OS/SP is designed to operate with minimal sound, **TAKAGI does not recommend installing the unit on a wall adjacent to a bedroom, or a room that is intended for quiet study or meditation, etc.**
- Locate your heater close to a drain where water leakage will not do damage to surrounding areas. As with any water heating appliance, the potential for leakage at some time in the life of the product does exist. If there is no drain, Takagi will not be responsible for any water damage that may occur. If you install a drain pan under the unit, ensure that it will not restrict the combustion air flow.



**WARNING**



- **TAKAGI does not recommend installing unit in an attic due to safety issues.** If you install your T-K3-SP in an attic:
  - Make sure your unit will have enough combustion air and proper ventilation.
  - Keep the area around your T-K3-SP clean. When dust collects on the flame sensor, the water heater will shut down on errors.
  - Locate unit for easy access for service and maintenance.
  - A drain pan is required to be installed under the water heater in case of leaks.

## GENERAL

1. The manifold gas pressure is preset at the factory. It is computer controlled and should not need adjustment.
2. Maintain proper space for servicing. Install the unit so that it can be connected or removed easily. Refer to p. 7 and p. 9 for proper clearances.
3. The electrical connection requires a means of disconnection, to terminate power to the water heater for servicing and safety purposes.
4. If you will be installing the unit in a contaminated area with a high level of dust, sand, flour, aerosols or other contaminants/chemicals, they can become airborne and enter and build up within the fan and burner causing damage to the unit. Particles from flour, aerosols, and other contaminants may reduce the functions of the rotating fan and cause improper burning of the gas. Regularly ensure that the area around the unit is dust- or debris-free; regular maintenance is recommended for these types of environment.
5. Particles from flour, aerosols, and other contaminants may clog the air vent or reduce the functions of the rotating fan and cause improper burning of the gas. Regularly ensure that the area around the unit is dust- or debris-free; regular maintenance is recommended for these types of environment.
6. Do not install the unit where the exhaust vent/opening is pointing into any opening in a building or where the noise may disturb your neighbors. Make sure the vent termination/exhaust opening meets the required distance by local code from any doorway or opening to prevent exhaust from entering a building (refer to p. 13).

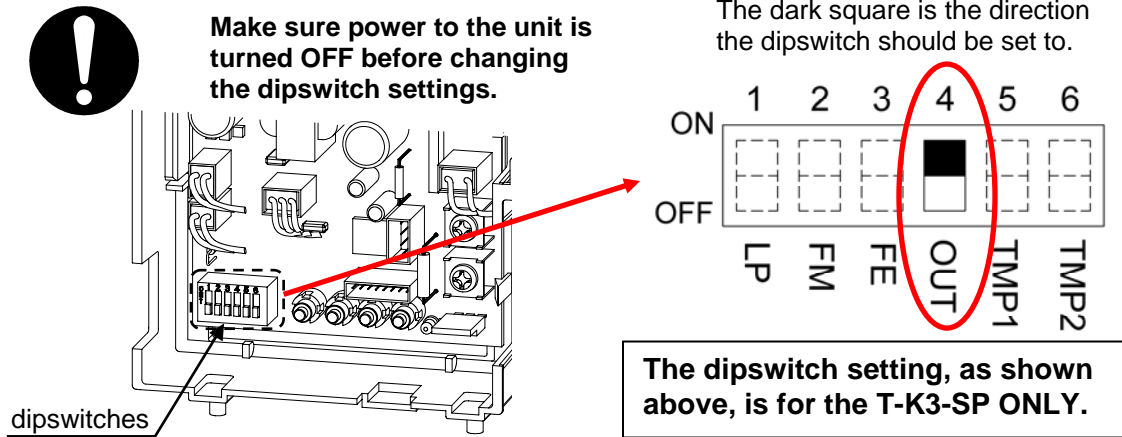
## INCLUDED ACCESSORIES

Check that the installation manual and the warranty card are included with the unit.

Items		
Manual		Qty: 1
Warranty Card		Qty: 1

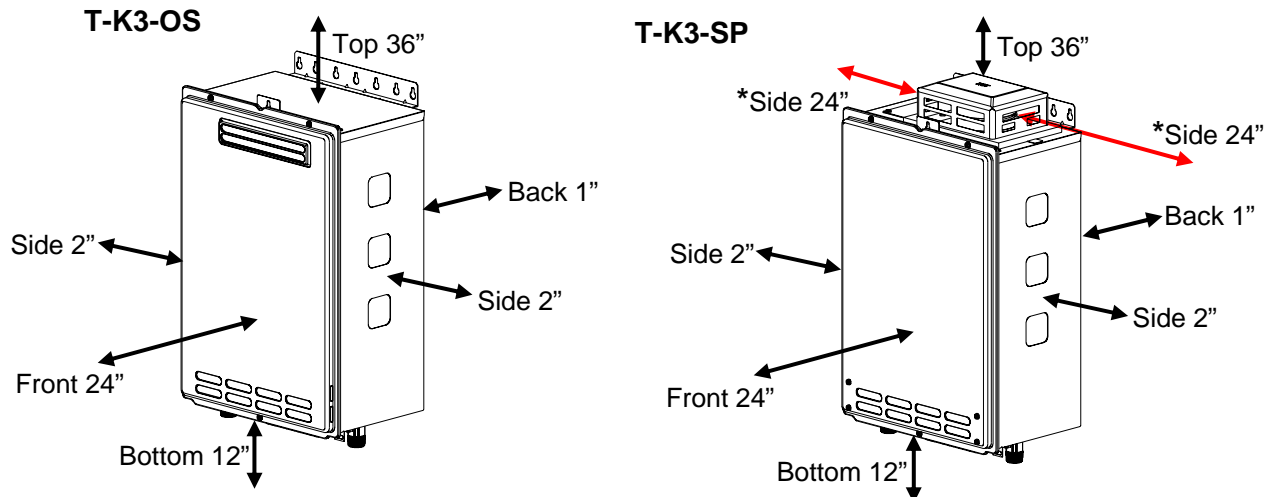
# OUTDOOR INSTALLATION

1. Follow all local codes, or in the absence of local codes, follow the most recent edition of the National Fuel Gas Code: ANSI Z223.1/NFPA 54 in the USA or CAN/CSA B149.1 Natural Gas, Propane Installation Code in Canada.
2. **Outdoor installation for mild climates only.**
3. When installing the T-K3-SP outdoors, ensure that the **T-K3-SP** is set for outdoor installation. Locate the bank of dipswitches at the bottom-right corner of the computer board. The 'OUT' dipswitch on the computer board should be switched to 'ON' (up). **For the T-K3-OS, no dipswitches need to be changed.**



4. The outdoor vent cap must be used when the **T-K3-SP** is installed outdoor. Takagi requires the use of its part No. TK-TV04.
5. When installed outdoors, the T-K3-OS/SP water heater shall be wall mounted only. Locate the water heater in an open, unroofed area and maintain the following minimum clearances:

**!** Keep the clearances.



**!** There is a 2" clearance from the left and right sides of the unit to combustible and non-combustible surfaces. However, if any portion or area of the surface is exposed to the exhaust fumes (i.e. directly to the sides of the vent cap), that surface must be at least 24" away.

# WARNING FOR INSTALLATION LOCATIONS

Do not install the heater where water, debris or flammable vapors may get into the flue terminal/opening. This may cause damage to the heater and void the warranty.



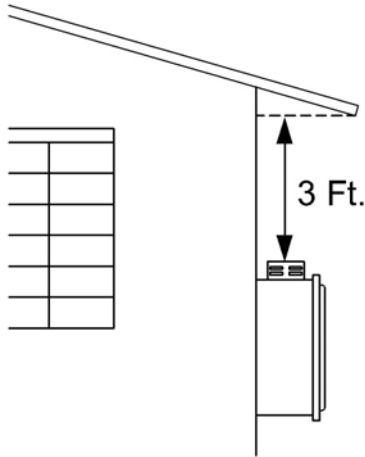
**Prohibited**

Do not have the vent terminal/opening pointing toward any opening into a building. Do not locate your heater in a pit or location where gas and water can accumulate.

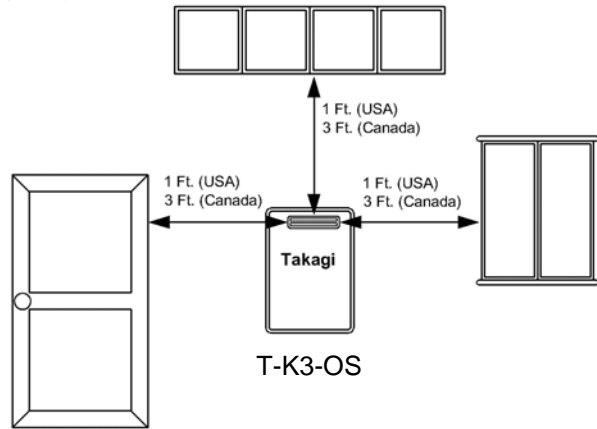


**Prohibited**

Do not install this water heater under an overhang less than 3 feet from its top or eaves. The area under an overhang must be open to three sides.



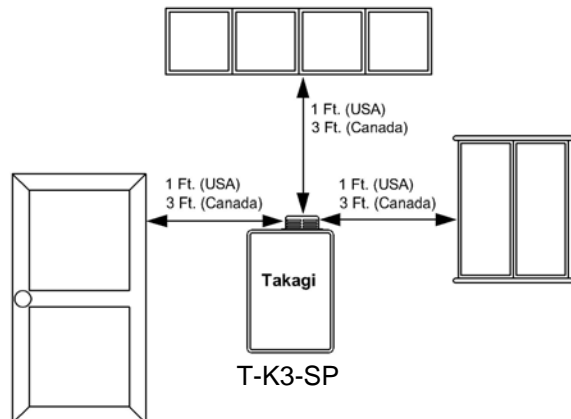
Do not install the water heater vent terminator within 1 ft. in the USA of any air intake or building opening, and within 3 ft. in Canada of any air intake or building opening (Refer to p.13).



Avoid locating the water heater exhaust opening near **any air intake devices**. These fans can pick up the exhaust flue products from the water heater and return them to the building. This can create a health hazard.



**Prohibited**



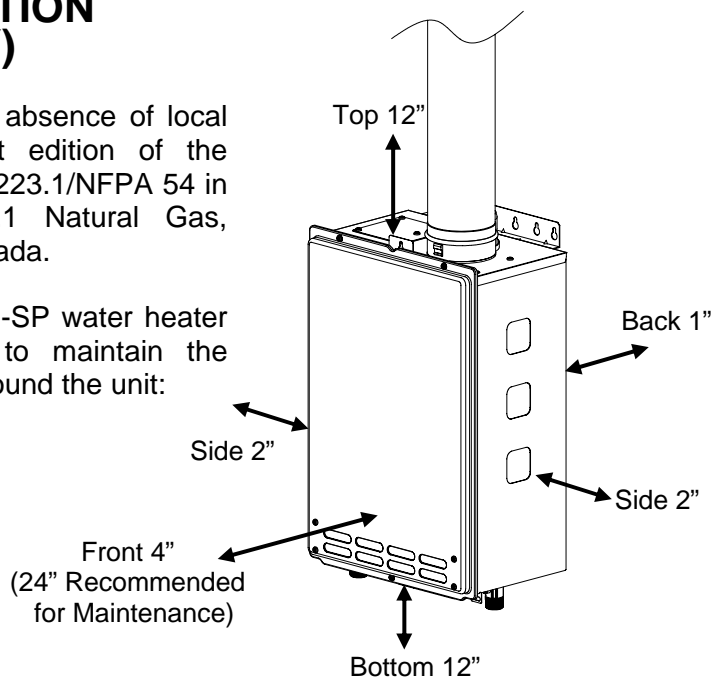


## INDOOR INSTALLATION (T-K3-SP ONLY)

1. Follow all local codes, or in the absence of local codes, follow the most recent edition of the National Fuel Gas Code: ANSI Z223.1/NFPA 54 in the USA or CAN/CSA B149.1 Natural Gas, Propane Installation Code in Canada.
2. When installed indoors, the T-K3-SP water heater shall be located in an area to maintain the following minimum clearances around the unit:



Keep the clearances.



### Combustion Air Supply

The water heater location must provide enough air for proper combustion and ventilation of the surrounding area. See the latest edition of ANSI Standard Z223.1 or any applicable local codes. In general, these requirements specify that if the unit is installed in a confined space, there must be a permanent air supply opening.

#### Minimum recommended air supply opening size for the T-K3-SP:

Water heater size	When drawing make-up air from outside the building	When drawing make-up air from inside the building (from other rooms within)
MAX 190,000 BTU	<b>12.7 Sq. IN</b>	<b>190 Sq. IN</b>
	When combustion air is supplied from outside the building, an opening communicating directly with the outside should have a minimum free area of one square inch per 15,000 BTUH input of the total input rating of water heater in the enclosed area.	When combustion air is supplied from inside the building, an opening communicating with the rest of the dwelling should have a minimum free area of one square inch per 1,000 BTUH input of the total input rating of water heater in the enclosed area. This opening should never be less than 190 sq. in.

### Combustible Air Supplied by Mechanical fan or Make up air device

The **T-K3-SP** water heater is equipped with a combustible air sensor that will shut off the unit when inadequate combustible air supply to unit is detected.

- If a mechanical fan or make up air device is used to supply air to the water heater or utility room, the installer should make sure it does not create drafts which could cause nuisance shutdowns.
- If a blower is necessary to provide adequate combustion air to the water heater, the blower and water heater must be set up so that the water heater cannot fire unless the blower is operating. Possible methods include the use of external flow sensors/transmitters and relays.

## VENTING INSTRUCTIONS (T-K3-SP ONLY)



**WARNING:** Improper venting of this appliance can result in excessive levels of carbon monoxide which can result in severe personal injury or death.

This water heater must be vented in accordance with the section "Venting of Equipment" of the latest edition of the Natural Fuel Gas Code: The ANSI Z223.1, All applicable local building codes, Section 7 of the CAN/CSA B149.1 Natural Gas in Canada, Propane Installation Code in Canada.

### EXHAUST VENT (T-K3-SP ONLY)

This is a Category III appliance and must be vented accordingly. The vent system must be sealed air tight. All seams and joints **without gaskets** must be sealed with high-heat resistant silicone sealant or UL listed aluminum adhesive tape having a minimum temperature rating of 350°F. For best results, a vent system should be as short and straight as possible.

1. The T-K3-SP is a Category III appliance and must be vented accordingly with any 4" vent approved for use with Category III or Special BH type gas vent.
2. **TAKAGI recommends the "T-Vent" line manufactured by TAKAGI** (Refer to Takagi's "T-Vent" brochure for details). However, the following are also UL listed manufacturers: ProTech Systems Inc. (FasNSeal), Flex-L Inc., Z-Flex Inc. (Z-Vent III), Metal-Fab Inc., and Heat-Fab Inc. (Saf-T Vent).
3. **Follow the vent pipe manufacturer's instructions when installing the vent pipe.**
4. **Do not common vent this appliance with any other vented appliance** (Do not terminate vent into a chimney. If the vent must go through the chimney, the vent must run all the way through the chimney with Category III approved or Special BH vent pipe).
5. The maximum length of exhaust vent piping must not exceed 50 ft. deducting 5 ft. for each elbow used in the venting system. Do not use more than 5 elbows.

Diameter	Max. No. of Elbow	Max. Vertical or Horizontal run in Length
4"	5 Ea.	50 ft.

**\*For each elbow added, deduct 5 ft. from max. Vent length.**

No. of Elbows	Max. Vertical or Horizontal Length
0	50 ft.
1	45 ft.
2	40 ft.
5	25 ft.

6. When the horizontal vent run exceeds 5 ft., support the vent run at 3 ft. intervals with overhead hangars.
7. Takagi will not be responsible for any damage to the water heater caused by condensation from the vent. For horizontal runs, slope the vent run downwards toward the vent terminal at a rate of ¼" per foot. For horizontal runs that do not slope downward and for vertical runs, installing a condensate drip is recommended. Please refer to p. 12 for the diagrams.



When installing the vent system, all applicable national and local codes must be followed. If you install thimbles, fire stops or other protective devices and they penetrate any combustible or noncombustible construction, be sure to follow all applicable national and local codes.

## VENT TERMINATION (T-K3-SP ONLY)



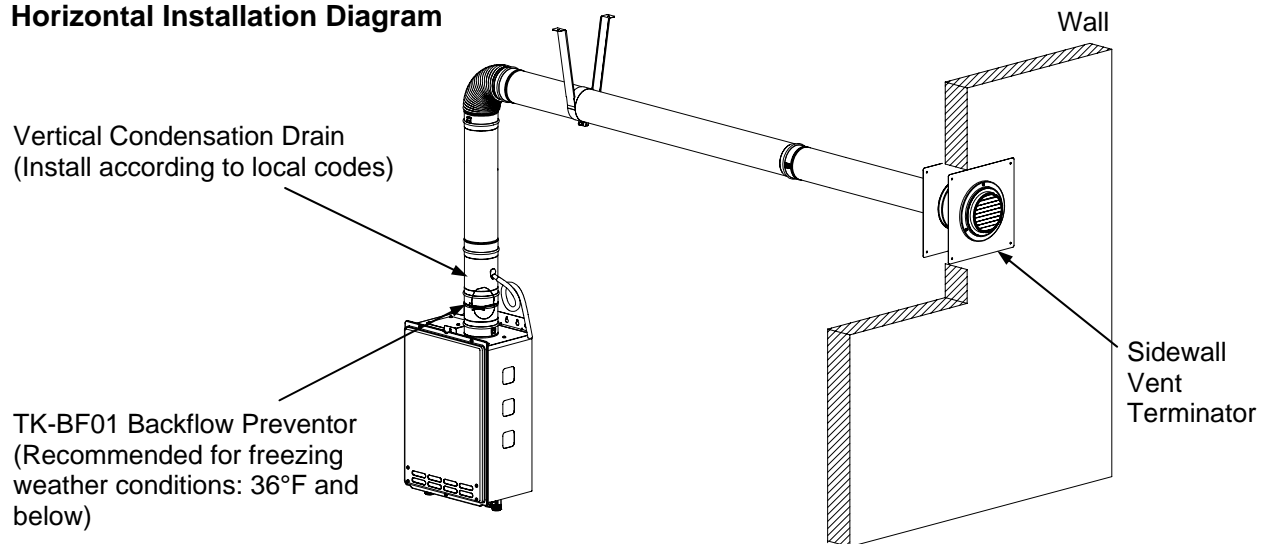
**WARNING:** Improper installation can cause nausea or asphyxiation, severe injury or death from carbon monoxide and flue gases poisoning. Improper installation will void product warranty.

- The vent terminator provides a means of installing vent pipe through the building wall and must be located in accordance with ANSI Z223.1/NFPA 54, or in Canada with CAN/CSA-B149.1 and local applicable codes.
- The sidewall vent terminator is recommended when the water heater is vented through a sidewall.

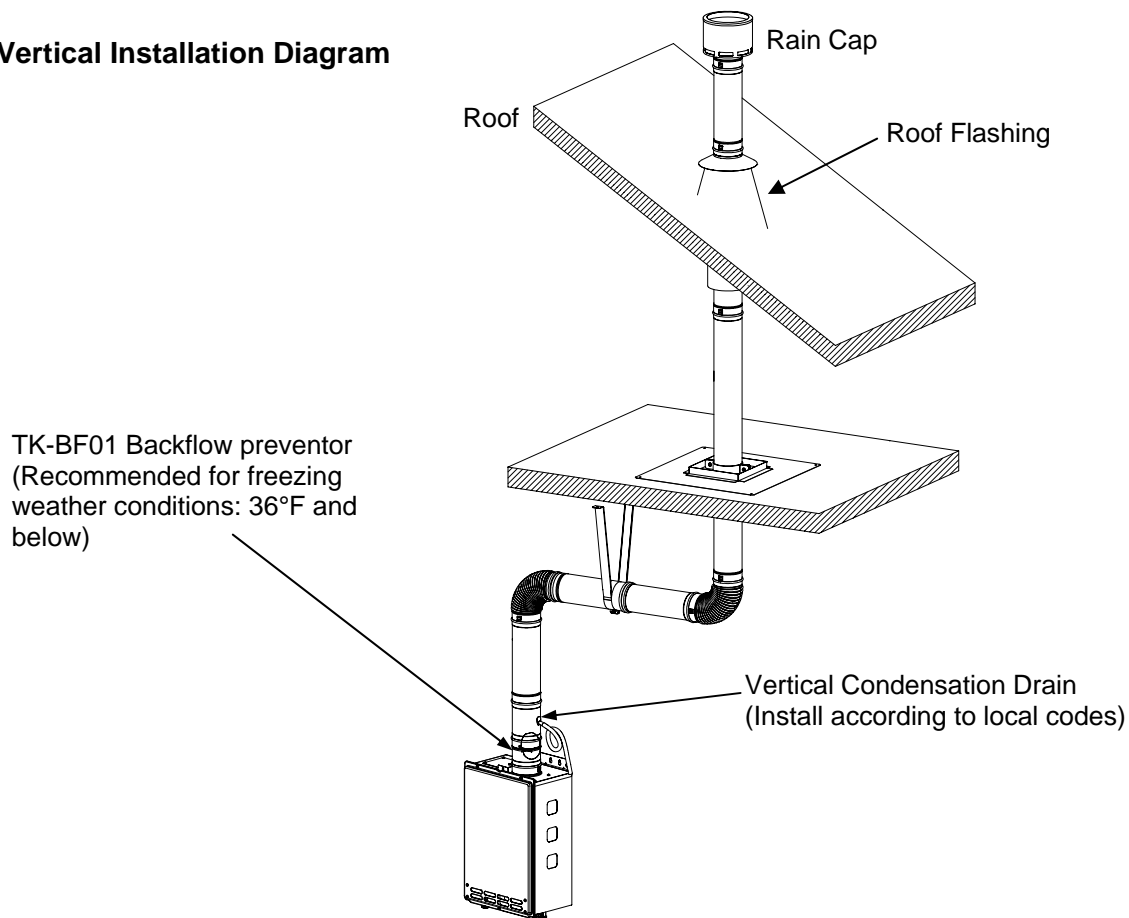
### General rules for venting the T-K3-SP water heater are:

1. Place the water heater as close as possible to the vent terminator.
2. The vent collar of the water heater must be fastened directly to an unobstructed vent pipe.
3. Do not weld the vent pipe to the water heater collar.
4. Do not cut the vent collar of the unit.
5. The weight of the vent stack must not rest on the water heater.
6. The vent must be easily removable from the top of the water heater for normal service and inspection of the unit.
7. The water heater vent must not be connected to any other gas appliance or vent stack.
8. Avoid locating the water heater vent terminator near **any air intake devices**. These fans can pick up the exhaust flue products from the water heater and return them to the building. This can create a health hazard.
9. Avoid using an oversized vent pipe or using extremely long runs of the pipe.
10. Locate the vent terminator so that it cannot be blocked by any debris, at any time. Most codes require that the terminator be at least 12 inches above grade, but the installer may determine if it should be higher depending on the job site condition and applicable codes.
11. For rooftop venting, a rain cap must be installed.
12. **TAKAGI recommends the “T-Vent” line manufactured by TAKAGI** (Refer to Takagi’s “T-Vent” brochure for details). However, the following are also UL listed manufacturers: ProTech Systems Inc. (FasNSeal), Flex-L Inc., Z-Flex Inc. (Z-Vent III), Metal-Fab Inc., and Heat-Fab Inc. (Saf-T Vent).

### Horizontal Installation Diagram

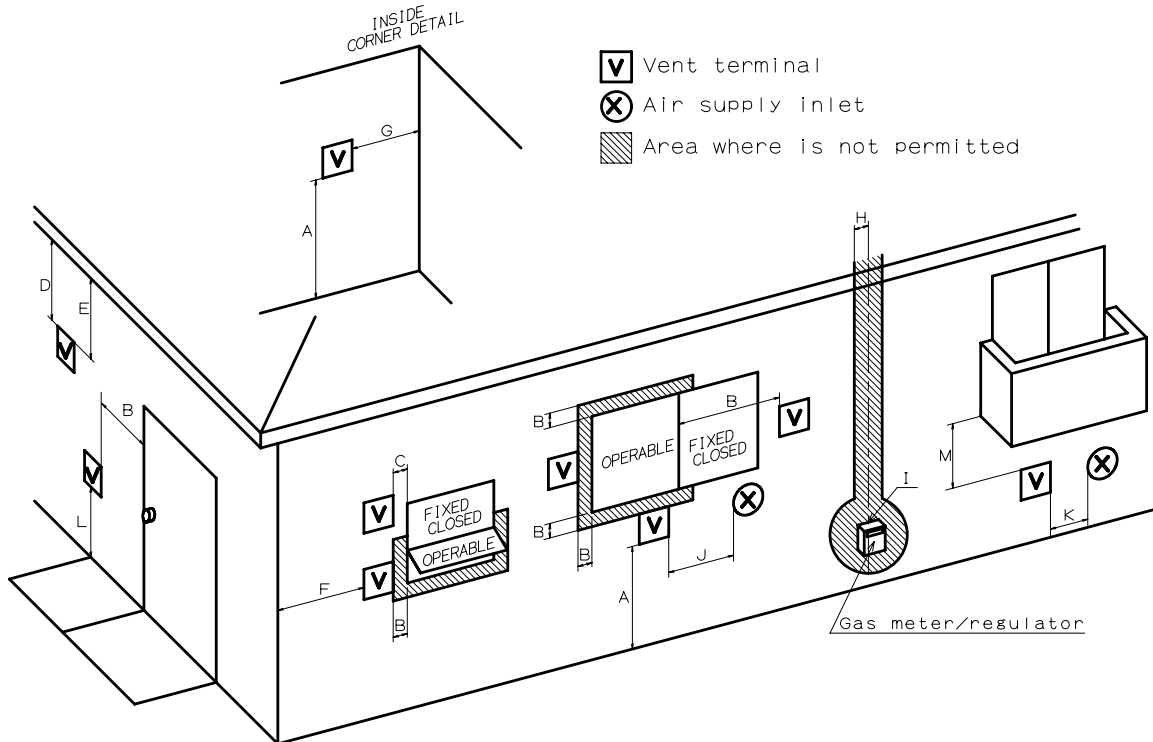


### Vertical Installation Diagram



- Regarding the clearance from the terminator to the air inlet or opening, refer to the next page.
- Install a condensation drain in the venting.
- Follow the vent system to vent manufacturer's instruction and local code.
- Do not common vent or connect any vent from other appliances to the T-K3-SP vent.
- Use 4" category III approved or Special BH, single or double wall stainless steel vent pipe.

# VENT CLEARANCES



		Canada	U.S.A	
		Direct vent and other than Direct Vent	Direct vent	Other than Direct Vent
A	Clearance above grade, veranda, porch, deck, or balcony.	1 foot	1 foot	1 foot
B	Clearance to window or door that may be opened.	3 feet	1 foot	4 feet from below or side opening. 1 foot from above opening.
C	Clearance to permanently closed window	*	*	*
D	Vertical clearance to ventilated soffit located above the vent terminator within a horizontal distance of 2 feet (61cm) from the center line of the terminator.	*	*	*
E	Clearance to unventilated soffit	*	*	*
F	Clearance to outside corner	*	*	*
G	Clearance to inside corner	*	*	*
H	Clearance to each side of center line extended above meter/regulator assembly	3 feet	*	*
I	Clearance to service regulator vent outlet.	3 feet	*	*
J	Clearance to non-mechanical air supply inlet to building or the combustion air inlet to any other application.	3 feet	1 foot	4 feet from below or side opening. 1 foot from above opening.
K	Clearance to mechanical air supply inlet.	6 feet	3 feet	3 feet
L	Clearance above paved sidewalk or paved driveway located on public property.	7 feet	*	7 feet
M	Clearance under veranda, porch deck, or balcony.	1 foot	*	*

\*For clearances not specified in ANSI Z223.1 / NFPA 54 or CAN/CSA-B149.1, please use clearances in accordance with local installation codes and the requirement of the gas supplier.

\*Outdoor installation is considered as direct vent.

# GAS SUPPLY AND GAS PIPE SIZING

## TO TURN OFF GAS TO APPLIANCE

1. Turn off all electric power to the water heater if service is to be performed.
2. Turn the manual gas valve located on the outside of the unit clockwise  $\curvearrowright$  to the off position.



**WARNING:** Conversion of this unit from natural gas to propane or vice versa cannot be done in the field. Contact your local distributor to get the correct unit for your gas type. Conversion done by anyone other than the manufacturer will void all warranty. **Takagi is not liable for any property and/or personal damage resulting from unauthorized conversions.**

**\*Check that the type of gas matches the rating plate first.**

1. The minimum and maximum inlet gas pressures are:

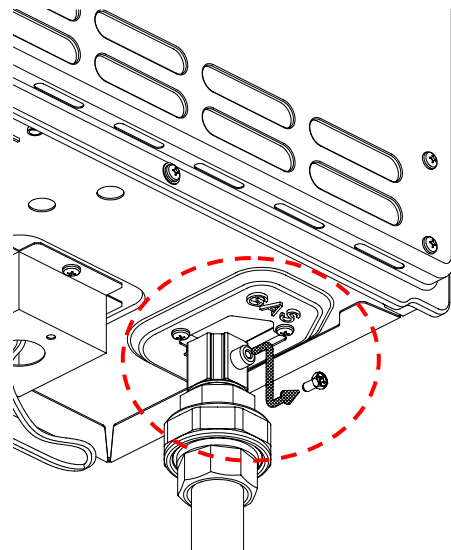
Natural Gas	Min. 5.0" WC - Max. 10.5" WC
Propane Gas	Min. 8.0" WC - Max. 14.0" WC

2. Gas pressure below this specified range for the T-K3-OS/SP and/or insufficient gas volume will adversely affect performance. These pressures are measured when the T-K3-OS/SP is in full operation.
3. Inlet gas pressure must not exceed the above maximum values; gas pressure above the specified range will cause dangerous operating conditions and damage to the unit. Ensure that any and all gas regulators used are operating properly and are providing gas pressures within the specified range shown above.
4. Until testing of the main gas line supply pressure is completed, ensure the gas line to the T-K3-OS/SP is disconnected to avoid any damage to the water heater.

## MEASURING INLET GAS PRESSURE

The T-K3-OS/SP cannot perform properly without sufficient inlet gas pressure. Below are instructions on how to check the inlet gas pressure. **THIS IS ONLY TO BE DONE BY A LICENSED PROFESSIONAL.**

1. Shut off the manual gas valve on the supply gas line.
2. Open a faucet. The unit should turn on and the gas in the gas pipe line should purge. Leave the faucet on to keep the unit running until the unit shut down due to lack of gas supply. Then shut the faucet off.
3. Remove the screw for the pressure port located on the gas inlet of the T-K3-OS/SP shown in the diagram to the right.
4. Connect the manometer to the pressure port.
5. Re-open the manual gas valve. Check to see that there are no gas leaks.
6. Open some of the fixtures that use the highest flow rate to turn on the T-K3-OS/SP.
7. Check the inlet gas pressure. When T-K3-OS/SP is on a maximum burn, the manometer should read from 5.0" to 10.5" WC for Natural gas, from 8.0" to 14.0" WC for Liquid Propane.





Size the gas pipe appropriately to supply the necessary volume of gas required for the T-K3-OS/SP (190,000 BTUH for both Natural Gas and Liquid Propane) using ANSI233.1/NAPA 54 in the USA or CAN/CSA B149.1 in Canada or local codes. Otherwise, flow capabilities and output temperatures will be limited.

1. Install a manual gas shut-off valve between the T-K3-OS/SP and the gas supply line.
2. When the gas connections are completed, it is necessary to perform a gas leak test either by applying soapy water to all gas fittings and observing for bubbles or by using a gas leak detection device.
3. Always purge the gas line of any debris and/or water before connecting to the gas inlet.

## Natural Gas Supply Piping

Maximum Delivery Capacity of Cubic Feet of Gas per Hour of IPS Pipe Carrying Natural Gas of 0.60 Specific Gravity Based on Pressure Drop of 0.5" WC

Based on Energy Content of 1000 BTU/Cubic Ft.: T-K3-OS/SP requires 190 Cubic Ft./hr.

Unit: Cubic feet per Hour

Pipe Size inches	Length in Feet												
	10'	20'	30'	40'	50'	60'	70'	80'	90'	100'	125'	150'	200'
3/4"	363	249	200	171	152	138	127	118	111	104	93	84	72
1"	684	470	377	323	286	259	239	222	208	197	174	158	135
1 1/4"	1404	965	775	663	588	532	490	456	428	404	358	324	278
1 1/2"	2103	1445	1161	993	880	798	734	683	641	605	536	486	416
2"	4050	2784	2235	1913	1696	1536	1413	1315	1234	1165	1033	936	801

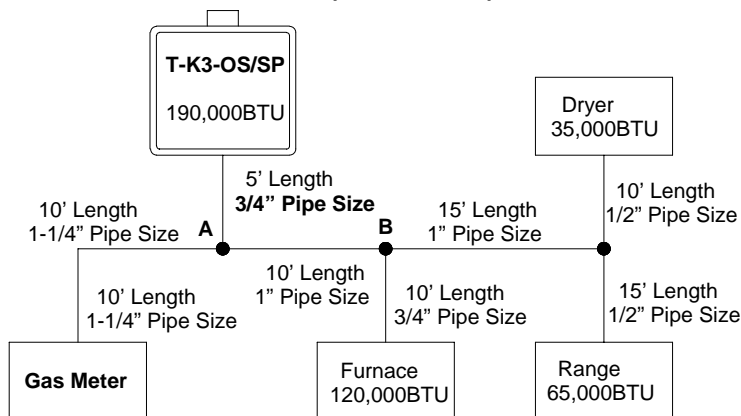
## Propane (LP) Gas Supply Piping

Maximum Capacity of Propane (LP) Gas Based on 11" WC supply pressure at a 1.0" WC pressure drop

Unit: kBTU per Hour

Pipe Size inches	Length in Feet												
	10'	20'	30'	40'	50'	60'	70'	80'	90'	100'	125'	150'	200'
3/4"	567	393	315	267	237	217	196	185	173	162	146	132	112
1"	1071	732	590	504	448	409	378	346	322	307	275	252	213
1 1/4"	2205	1496	1212	1039	913	834	771	724	677	630	567	511	440
1 1/2"	3307	2299	1858	1559	1417	1275	1181	1086	1023	976	866	787	675
2"	6221	4331	3465	2992	2646	2394	2205	2047	1921	1811	1606	1496	1260

### Gas Sizing Example (Natural Gas)



Based on Energy Content of 1000BTU/Cubic Ft:

Divide each appliance's BTU requirement by 1000BTU to get the appliances Cubic Ft. requirement.

Take into account the distance the appliance is from the gas meter, look in the above gas chart to properly size the line.

For sections of the gas line supplying gas to more than one appliance (Ex: Point A to Point B), add up the cubic ft. requirements of the appliances that are being supplied by that section, and size to the farthest appliance.

For Example: The section from A to B supplies gas to the furnace, range, and dryer. Adding up the BTU requirements and dividing by 1000 yields a cubic ft. requirement of 220 cubic ft. of gas. The farthest appliance is the range, which is 60 ft. away from the meter. Looking at the above chart, and under the column of 60ft., Section A to B needs to be 1" in order to supply 220 cubic ft.

## WATER CONNECTIONS

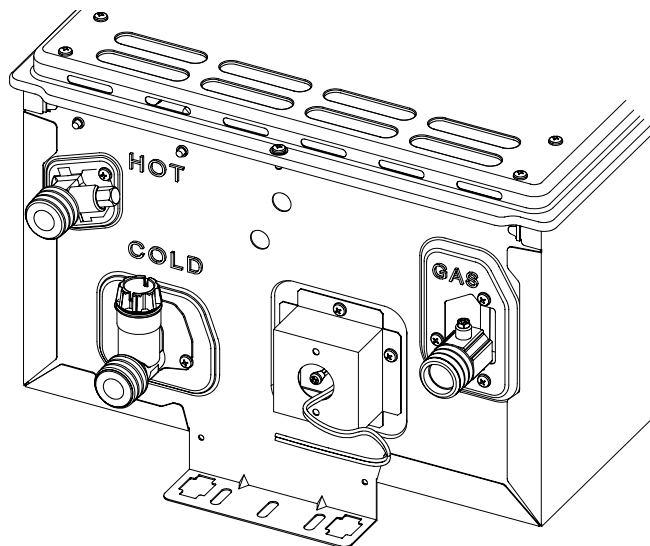
### FOR YOUR SAFETY, READ BEFORE OPERATING:

Do not use this water heater if any part has been submersed under water. Immediately call a licensed professional to inspect the water heater and to replace any damaged parts.

1. All pipes, pipe fittings, valves and other components, including soldering materials, must be suitable for potable water systems.
2. A manual shut off valve must be installed on the cold water inlet to the water heater between the main water supply line and the T-K3-OS/SP.
3. In addition, a manual shut off valve is also recommended on the hot water outlet of the unit. If the T-K3-OS/SP is installed within, or subjected to, a closed loop water system, a thermal expansion tank must be installed.
4. **Before installing the water heater, flush the water line to remove all debris, and after installation is complete, purge the air from the line. Failure to do so may cause damage to the heater.**
5. There is a wire mesh filter within the cold inlet to trap debris from entering your heater. This will need to be cleaned periodically to maintain optimum flow.



**CAUTION:** Do not reverse the hot outlet and cold inlet connections to the T-K3-OS/SP Water Heater. This will not properly activate the water heater.

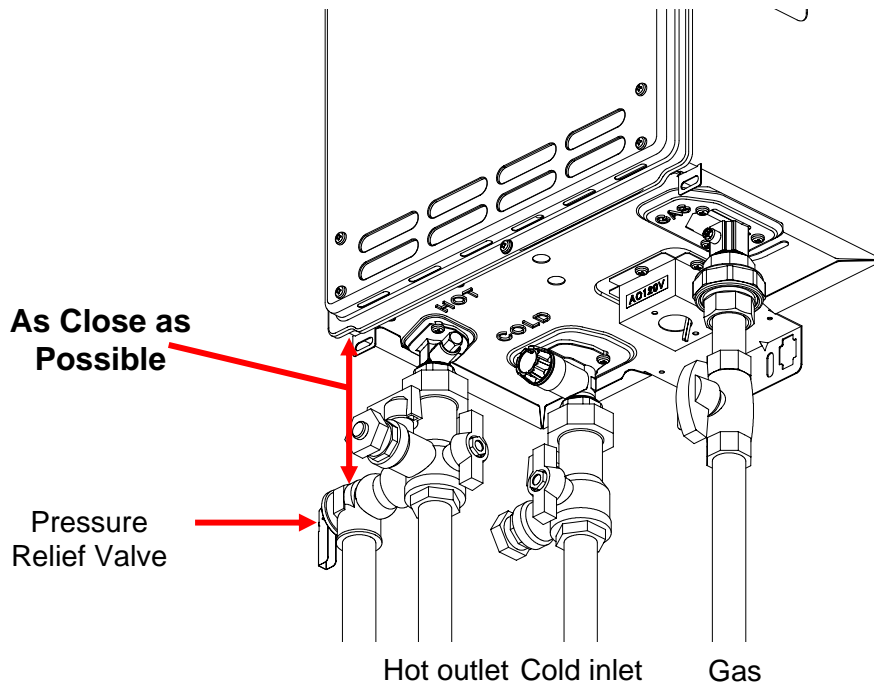




## PRESSURE RELIEF VALVE

The FLASH T-K3-OS/SP has a high-temperature shut off switch built in as a standard safety feature (called a Hi-Limit switch) therefore a “**pressure only**” relief valve is required.

1. This unit does not come with an approved pressure relief valve.
2. An approved pressure relief valve must be installed on the hot water outlet.
3. The pressure relief valve must conform to ANSI Z21.22 or CAN 1-4.4 and installation must follow local code.
4. The discharge capacity must be at least 190,000 BTU/hr.
5. The pressure relief valve needs to be rated for a maximum of 150 psi.
6. The discharge piping for the pressure relief valve must be directed so that the hot water cannot splash on anyone or on nearby equipment.
7. Attach the discharge tube to the pressure relief valve and run the end of the tube to within 6" from the floor. This discharge tube must allow free and complete drainage without any restrictions.
8. If the pressure relief valve installed on the T-K3-OS/SP discharges periodically, this may be due to a defective thermal expansion tank or defective pressure relief valve.
9. The pressure relief valve must be manually operated periodically to check for correct operation.

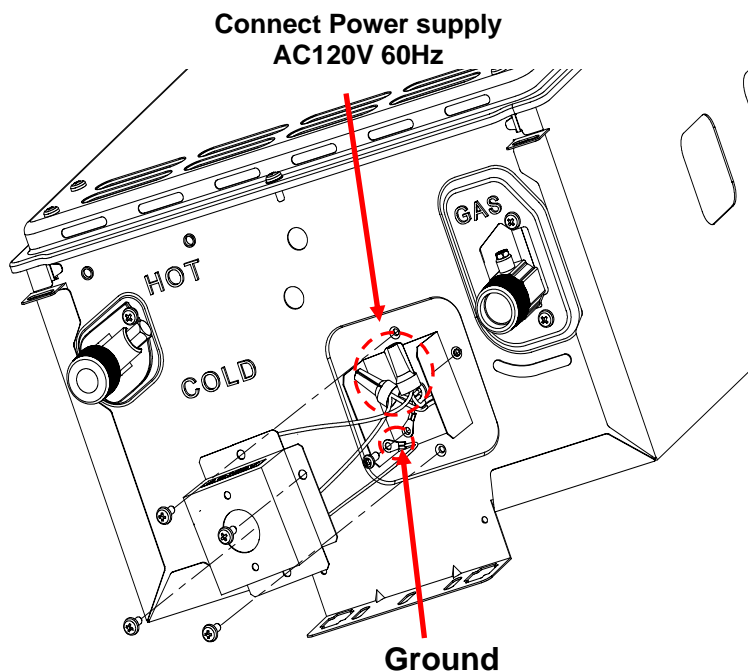


# ELECTRICAL CONNECTIONS

**WARNING:** Follow the electrical code requirements of the local authority having jurisdiction. In the absence of such requirements, follow the latest edition of the National Electrical Code ANSI/NFPA 70 in the U.S. or the latest edition of CSA C22.1 Canadian Electrical Code, Part 1, in Canada.

**CAUTION:** When servicing or replacing parts within the T-K3-OS/SP, label all wires prior to disconnection to facilitate an easy and error-free reconnection. Wiring errors can cause improper and dangerous operation. Verify proper operation after servicing.

1. The heater must be electrically grounded. Do not attach the ground wire to either the gas or the water piping.
2. The Flash T-K3-OS/SP water heater requires **AC 120V 60 Hz electrical power supply that is properly grounded.**
  - A proper disconnect (i.e. on/off switch, power plug, etc.) controlling the main power to the T-K3-OS/SP must be provided for service reasons. (Must comply with local codes.)
  - Connect the power supply to the T-K3-OS/SP exactly as shown in the wiring diagram;
3. A green screw is provided in the junction box to ground the connection.
4. Can be hardwired or wired to a plug-in.
5. The use of a surge protector is recommended in order to protect the unit from power surges.



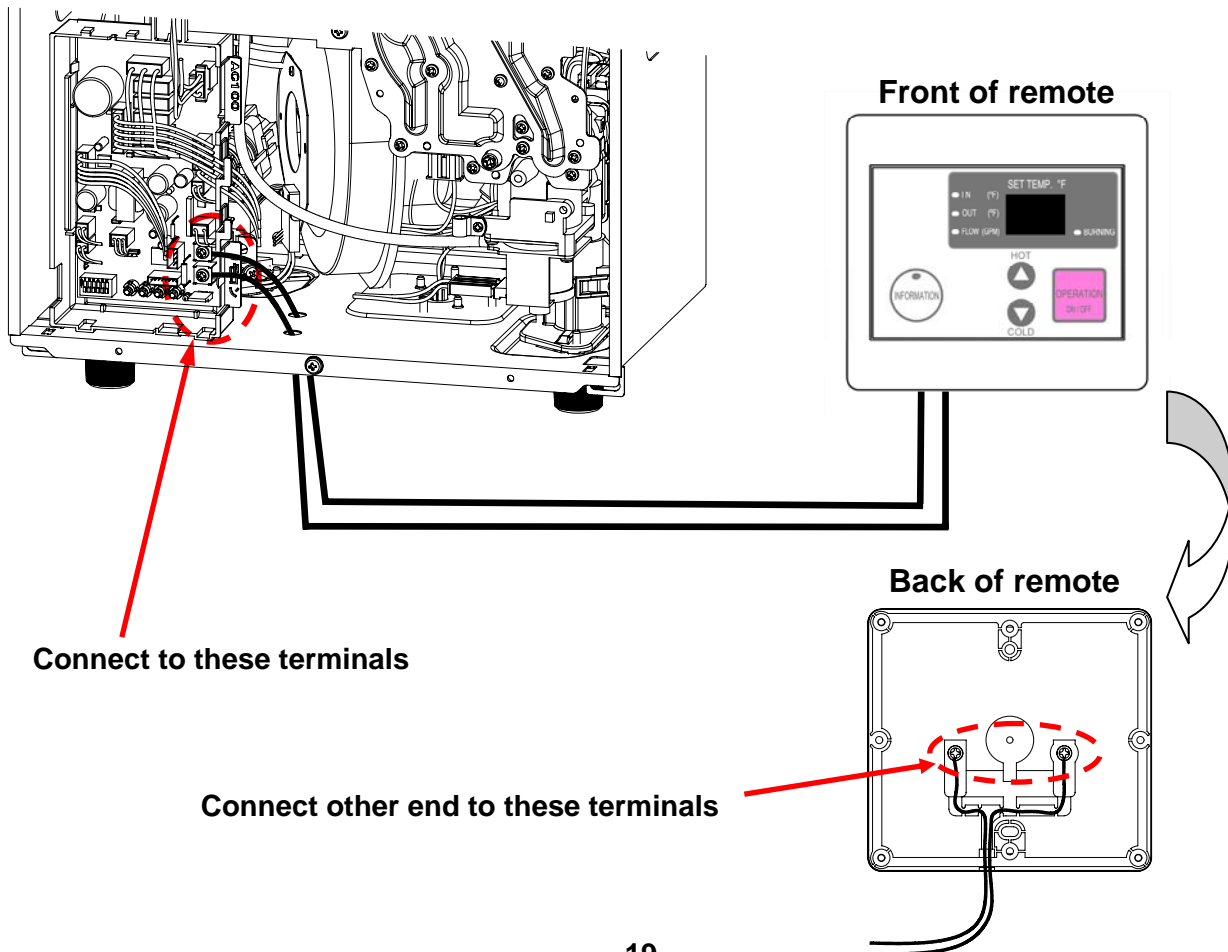
# REMOTE CONTROLLER CONNECTION

- 1) Disconnect power supply from the T-K3-OS/T-K3-SP.
- 2) Take off the T-K3-OS/T-K3-SP's front cover.
- 3) Please find the remote control terminal using the picture below (located around the lower right-hand side of the computer board).
- 4) Open the plastic cover of the TK-RE02, and then attach the fork terminal to the connector base of the backside the TK-RE02 with two screws. Make sure the terminals are firmly fixed.
- 5) Put the remote wires through the hole on the bottom of the unit casing.
- 6) Connect the remote wires to the remote controller terminal properly. (No polarity)
- \*Do NOT jump or short-circuit wires. Computer will be damaged.**
- 7) Replace Front Cover securely.
- 8) Wires used for the remote controller connection must be:

- Minimum 18AWG wire (No polarity)
- Maximum 400 feet long

\*For details on the connection to the TK-RE02, refer to the TK-RE02's Installation Manual.

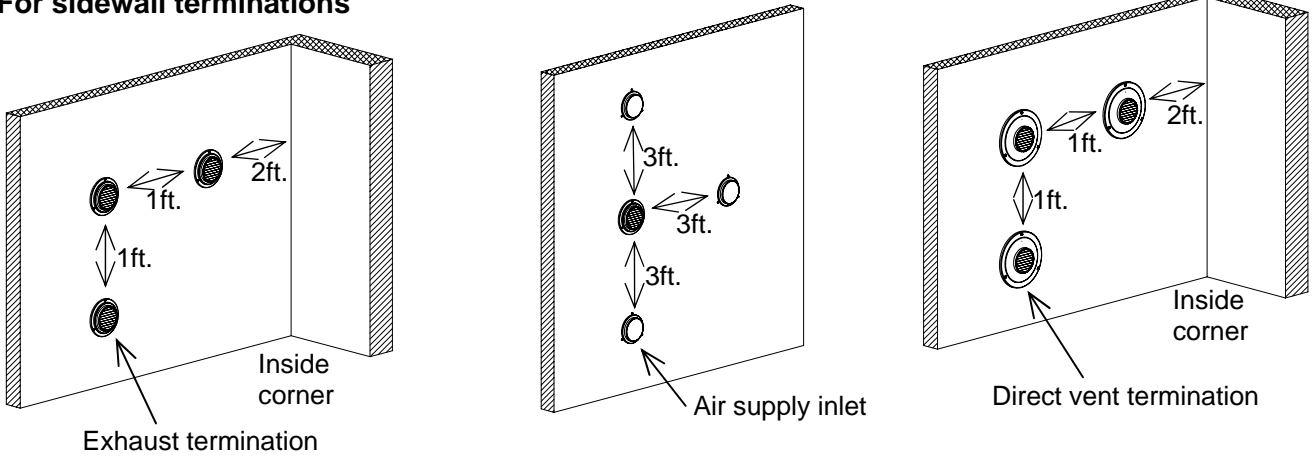
## Remote controller terminal inside T-K3-OS/T-K3-SP



# ADDITIONAL CLEARANCES

Please follow all local and national codes in regards to proper termination clearances. In the absence of such codes, the following clearances can be used as guidelines. Local codes supersede these guidelines.

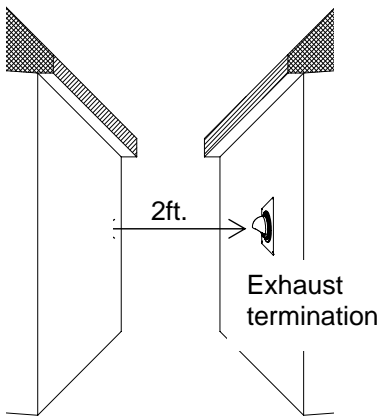
## For sidewall terminations



For direct-vent sidewall terminations that use two separate penetrations for the intake and exhaust, distance the intake and exhaust terminations at least 3 ft. away from each other, no matter the orientation.

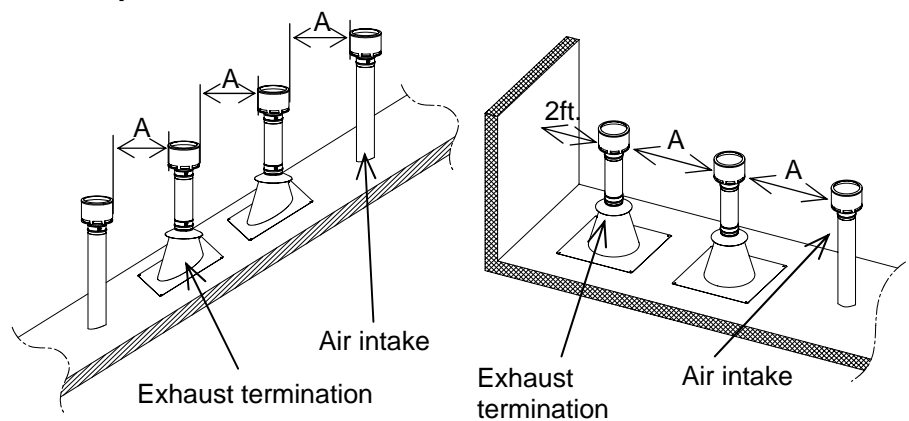
For multiple sidewall exhaust terminations (e.g. multi-unit systems), an exhaust termination must be at least 1 ft. away from another exhaust termination. An exhaust termination must also be at least 2 ft. away from an inside corner (if the adjacent wall is less than 2 ft. of length, the minimum required distance away from the inside corner will be equal to the length of the wall).

For multiple-unit, direct-vent sidewall terminations that combine the intake and exhaust into a single penetration, space each direct-vent termination at least 1 ft. away from each other, no matter the orientation. A direct-vent termination must also be at least 2 ft. away from an inside corner (if the adjacent wall is less than 2 ft. of length, the minimum required distance away



Exhaust and/or direct-vent sidewall terminations should be at least 2 ft. away from an opposite surface/wall. Do not place the termination directly in front of an opening into a building.

## For rooftop terminations



A: in accordance with local codes

For multiple-unit rooftop terminations (whether for standard indoor or direct-vent installations) space all exhaust and intake terminations in accordance with local codes. An exhaust termination must be spaced from a wall or surface in accordance with local codes as well. In the absence of such a code, an exhaust termination must be a horizontal distance of at least 2 ft. away from a wall or surface.



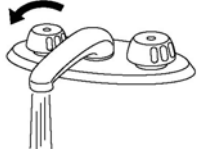

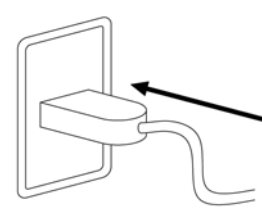
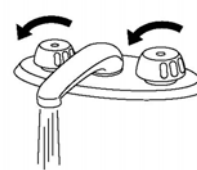
## INITIAL OPERATION

### FOR YOUR SAFETY, READ BEFORE OPERATING:

- **Check the GAS and WATER CONNECTIONS** for leaks before firing it for the first time.
- Open the main gas supply valve to the unit using only your hand to avoid any spark. Never use tools. If the knob will not turn by hand, do not try to force it; call a qualified service technician. Forced repair may result in a fire or explosion due to gas leaks.
- Be sure to check next to the bottom of the unit because some gases are heavier than air and may settle towards the floor.
- **Check the GAS PRESSURE.** Refer to p. 14.
- Do not try to light the burner manually. It is equipped with an electronic ignition device which automatically lights the burner.
- **Check for PROPER VENTING and COMBUSTIBLE AIR** to the heater.
- **Purge the GAS and WATER LINES** to remove any air pocket.
- Do not use this water heater if any part has been submersed under water. Immediately call a qualified service technician to inspect the water heater and to replace any damaged parts.

#### **CAUTION: IF YOU SMELL GAS:**

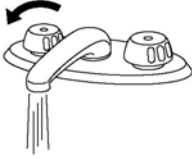
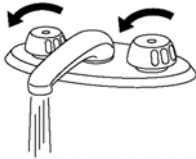
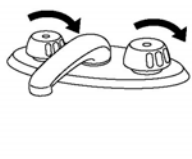
- Do not try to start the water heater.
- Do not touch any electric switch; do not use any phone in your building.
- Immediately call your gas supplier from a neighbor's phone. Follow the gas supplier's instructions.
- If you cannot reach your gas supplier, call the fire department.

<p><b>1.</b> Once the above checks have been completed, please clean filter of any debris. Refer to p. 24 for instructions.</p> <div style="text-align: center; margin-top: 20px;">  </div>	<p><b>2.</b> Fully open the manual water control valve on the water supply line.</p> <div style="text-align: center; margin-top: 20px;">  </div>	<p><b>3.</b> Open a hot water tap to verify that water is flowing to that tap.</p> <div style="text-align: center; margin-top: 20px;">  </div> <p style="text-align: center; margin-top: 10px;">Then close the hot water tap.</p>
<p><b>4.</b> Fully open the manual gas control valve installed.</p> <div style="text-align: center; margin-top: 20px;">  </div>	<p><b>5.</b> Turn on the 120 volt 60 Hz power supply to the T-K3-OS/SP water heater.</p> <div style="text-align: center; margin-top: 20px;">  </div>	<p><b>6.</b> Now you are ready to enjoy hours of endless hot water.</p> <div style="text-align: center; margin-top: 20px;">  </div>

# NORMAL OPERATION

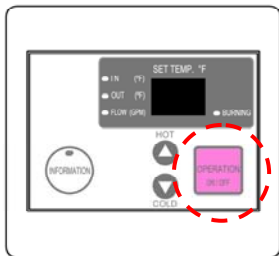
- Flow rate to activate the T-K3-OS/SP : 0.5 gallon per minute
- Flow rate to keep the T-K3-OS/SP running : 0.4 gallon per minute

## 1. NORMAL OPERATION WITHOUT REMOTE CONTROLLER

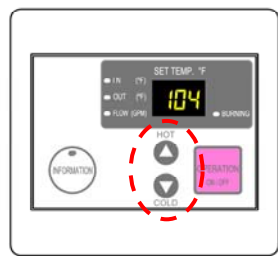
<p>1. Open a hot water tap.</p> 	<p>2. Mix cold water with the hot to get the correct temperature water.</p> 	<p>3. Close the hot water tap.</p> 
---	---	--

## 2. NORMAL OPERATION WITH REMOTE CONTROLLER: TK-RE02 (Optional)

- Press the operation ON/OFF button.
- Set temperature. (Example: 104°F)



The temperature is displayed on the remote controller when the remote controller is ON.



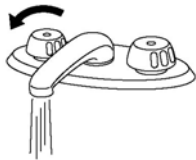
### The temperature options

(unit: °F)

99	100	102	104	106	108	110	111	113	115	117	122	131	140	158	167
----	-----	-----	-----	-----	-----	-----	-----	-----	-----	-----	-----	-----	-----	-----	-----

- Temperature settings 140°F and above are for heating applications only.

- Open a hot water tap. Mix cold water with the hot if you need.
- Close the hot water tap.



Lamp is ON



Lamp is OFF

## WARNING

Hot Water temperatures over 125°F can cause severe burns instantly or death from scalding.

- The outlet hot water temperature of the FLASH T-K3-OS/SP water heater is factory set at 122°F.
- Feel the water temperature before bathing or showering.



## FLOW

- The flow rate through the FLASH T-K3-OS/SP is limited to a maximum of 7.0 GPM.
- The temperature setting, along with the supply temperature of the water will determine the flow rate output of the unit.
- Please refer to the temperature vs. gallons per minute chart on p. 38 to determine the likely flow rates based on your local ground water temperature and your desired outlet water temperature combination.
- Based on the United States Department of Energy method of testing water heater output, the T-K3-OS/SP is rated for 246(OS)/240(SP) gallons per hour (GPH) or 4.1(OS)/4.0(SP) gallons per minute (GPM) for Natural Gas, and 252(OS)/246(SP) GPH or 4.2(OS)/4.1(SP) GPM for Liquid Propane, when raising the water temperature by 77°F (from 58°F to 135°F).
- Refer to the chart to the right for typical household plumbing fixture flow rates to determine what the FLASH T-K3-OS/SP can do in a household application.

<b>Household Flow Rates</b>	
<b>Appliance / Use</b>	<b>Flow Rate (GPM)</b>
Lavatory Faucet	1.0
Bath Tub	4.0 – 10.0
Shower	2.0
Kitchen Sink	1.5
Dishwasher	1.5
Washing Machine	4.0

Taken from UPC 2006

## FREEZE PROTECTION SYSTEM

- This unit comes equipped with heating blocks to protect it against damages associated with freezing.
- For this freeze protection system to operate, there has to be electrical power to the unit. Damage to the heat exchanger caused by freezing temperatures due to power loss is not covered under the warranty. In cases where power losses can occur, consider the use of a backup power supply.
- The freeze protection system will activate when the surrounding and/or outside temperatures drop below 36.5°F (2.5°C).
- In any areas subject to freezing temperatures, Takagi highly recommends installing the unit indoors (only T-K3-SP model). In such an installation, freezing issues can only occur if cold air enters through the venting into the heat exchanger, whether by negative pressures within the installation location or by strong outside winds. It is the installer's responsibility to be aware of these issues and take all preventative measures. Takagi will not be responsible for any damage to the heat exchanger as a result of freezing.
- Takagi also highly recommends the use of a back flow vent damper for the T-K3-SP to minimize the amount of cold air entering through the exhaust venting when the water heater is off.
- If you will not be using your heater for a long period of time:
  1. Completely drain the unit of water. Refer to p.24.
  2. Disconnected power to your heater.

This will keep your unit from freezing and being damaged.

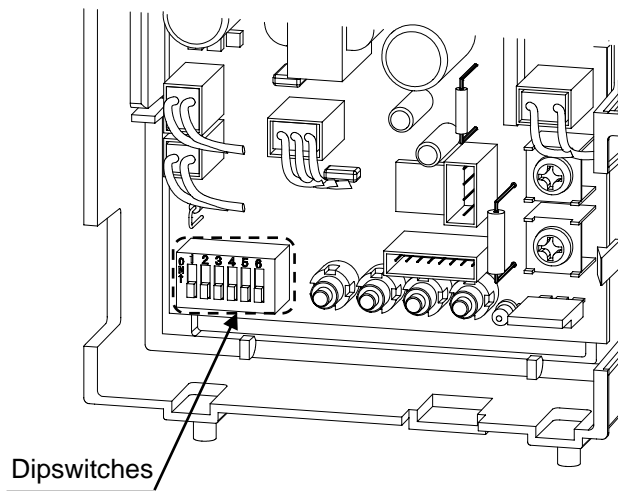
**CAUTION:** Only pipes within the water heater are protected by the freeze protection system. Any water pipes (hot or cold) located outside the unit will not be protected. Properly protect and insulate these pipes from freezing.

# TEMPERATURE SETTINGS

- There are 4 preset temperatures that you can select from by changing the dipswitch settings on the computer board.
- The temperature has been preset at the factory to 122°F (50°C).
- If you desire to change the set temperature with dipswitches, please refer to the diagram on below. These temperatures are available: 113°F, 122°F, 140°F, 167°F.
- 140°F and 167°F are for heating applications only.
- If you desire a hot water temperature other than the 4 preset settings, please purchase the optional temperature remote controller (part No. TK-RE02).
- With this optional TK-RE02 you can set the temperature from 99°F to 167°F with various increments.
- Please read the instructions carefully prior to installing the TK-RE02, as failure to do so could damage the temperature controller and/or the water heater, which will void the warranty.



- Turn off the power supply to the heater before changing the dipswitch settings.
- Only change the switches with the dark squares. The dark squares indicate which direction the dipswitch should be set to.



To change dipswitch settings for temperatures, locate the bottom left corner of the computer board.

The dark squares indicate the direction the dipswitches should be set to.

## Temperature Settings

	1	2	3	4	5	6	
ON	□	□	□	□	□	□	
OFF	□	□	□	□	■	■	
	LP	FM	FE	OUT	TMP1	TMP2	
<b>113°F</b>							
ON	□	□	□	□	□	□	
OFF	□	□	□	□	■	■	
	LP	FM	FE	OUT	TMP1	TMP2	
<b>122°F</b>							
*Factory default setting							
ON	□	□	□	□	□	■	
OFF	□	□	□	□	■	■	
	LP	FM	FE	OUT	TMP1	TMP2	
<b>140°F</b>							
ON	□	□	□	□	□	■	
OFF	□	□	□	□	■	■	
	LP	FM	FE	OUT	TMP1	TMP2	
<b>167°F</b>							



## MAINTENANCE AND SERVICE



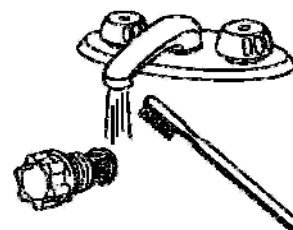
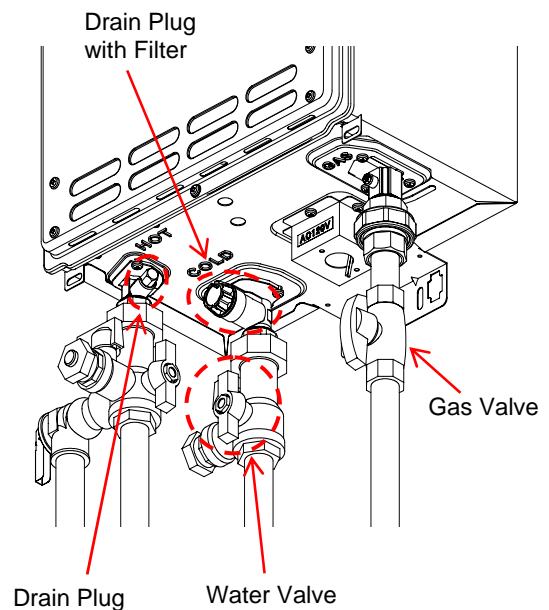
**WARNING:** Turn off the electrical power supply and close the manual gas control valve and the manual water control valve before servicing.

- Clean the cold-water inlet filter. (Refer to diagram below)
- Be sure that all openings for combustion and ventilation air are not blocked.
- Check that the exhaust vent pipe is not blocked.
- Check the gas pressure.
- Keep the area around the water heater clear. Remove any combustible materials, gasoline or any flammable vapors and liquids.

TAKAGI recommends having the unit checked once a year or as necessary by a licensed technician. If repairs are needed, any repairs should be done by a licensed technician.

### UNIT DRAINING and FILTER CLEANING

1. Close the manual gas shut off valve.
2. Close the water shut off valve.
3. Open all hot water taps in the house. When the residual water flow has ceased, close all hot water taps.
4. Have a bucket or pan to catch the water from the unit's drain plugs. **Unscrew** the drain plugs to drain all the water out of the unit.
5. Wait a few minutes to ensure all water has completely drained from unit.
6. **Clean the filter:** Check the water filter located within the cold inlet. With a tiny brush, clean the water filter of any debris which may have accumulated and reinsert the filter back into the cold water inlet.
7. Securely screw the drain plugs back into place. **Hand-tighten only.**



# GENERAL TROUBLESHOOTING

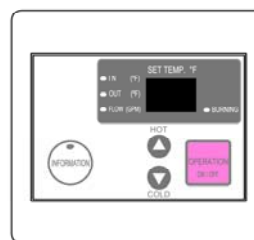
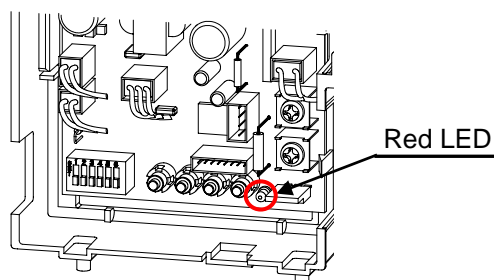
<b>~ TEMPERATURE and AMOUNT OF HOT WATER ~</b>	
<b>PROBLEM</b>	<b>POSSIBLE SOLUTIONS</b>
It takes long time to get hot water at the fixtures.	<ul style="list-style-type: none"> <li>• The time it takes to deliver hot water from the T-K3-OS/SP to your fixtures depends on the length of piping between the two. The longer the distance or the bigger the pipes, the longer it will take to get hot water.</li> <li>• If you would like to receive hot water to your fixtures quicker, you may want to consider a hot water recirculation system. (p. 30)</li> </ul>
The water is not hot enough.	<ul style="list-style-type: none"> <li>• Compare the flow and temperature. See the chart on p. 38.</li> <li>• Check cross plumbing between cold water lines and hot water lines.</li> <li>• Is the gas supply valve fully open? (p. 20)</li> <li>• Is the gas line sized properly? (p. 15)</li> <li>• Is the gas supply pressure enough? (p. 14)</li> <li>• Is the set temperature set too low? (p. 21, 23)</li> </ul>
The water is too hot.	<ul style="list-style-type: none"> <li>• Is the set temperature set too high? (p. 21, 23)</li> </ul>
The hot water is not available when a fixture is opened.	<ul style="list-style-type: none"> <li>• Make sure the unit gets 120V 60Hz power supply.</li> <li>• If you are using the remote controller, is the power button turned on? (p. 21)</li> <li>• Is the gas supply valve fully open? (p. 20)</li> <li>• Is the water supply valve fully open? (p. 20)</li> <li>• Is the filter on cold water inlet clean? (p. 24)</li> <li>• Is the hot water fixture sufficiently open to draw at least 0.5 GPM through the water heater? (p. 21)</li> <li>• Is the unit frozen?</li> <li>• Is there enough gas in the tank? (for LP)</li> </ul>
The hot water turns cold and stays cold.	<ul style="list-style-type: none"> <li>• Is the flow rate enough to keep the T-K3-OS/SP running? (p. 21)</li> <li>• If there is a recirculation system installed, does the recirculation line have enough check valves?</li> <li>• Is the gas supply valve fully open? (p. 20)</li> <li>• Is the filter on cold water inlet clean? (p. 24)</li> <li>• Are the fixtures clean of debris and obstructions?</li> </ul>
Fluctuation in hot water temperature.	<ul style="list-style-type: none"> <li>• Is the filter on cold water inlet clean? (p. 24)</li> <li>• Is the gas line sized properly? (p. 15)</li> <li>• Is the supply gas pressure enough? (p. 14)</li> <li>• Check for cross connection between cold water lines and hot water lines.</li> </ul>

## ~ WATER HEATER ~

PROBLEM	POSSIBLE SOLUTIONS
Unit does not ignite when water goes through the unit.	<ul style="list-style-type: none"> <li>• Is the flow rate over 0.5 GPM? (p. 21)</li> <li>• Check for the filter on cold water inlet. (p. 24)</li> <li>• Check for reverse connection and cross connection.</li> <li>• If you use the remote controller, is the power button turned on? (p. 21)</li> </ul>
The fan motor is still spinning after operation has stopped.	<ul style="list-style-type: none"> <li>• This is normal. After operation has stopped, the fan motor keeps running from 5 to 50 seconds in order to re-ignite quickly, as well as purge all the exhaust gas out of the flue.</li> </ul>
Abnormal sounds come from the unit.	<ul style="list-style-type: none"> <li>• Contact TAKAGI.</li> </ul>

## TROUBLESHOOTING – ERROR CODES

- All Takagi units are self diagnostic for safety and convenience when trouble shooting.
- If there is a problem with the installation or the unit, it will display a numerical error code on the TK-RE02 (if installed). If the TK-RE02 is not installed, the red LED at the bottom- right corner of the computer board will be blinking to communicate the source of the problem instead.
- Consult the following chart for the cause of each error code.



**TK-RE02 (Optional)**

Red LED	Error code	Malfunction description
Blinking One Time	03	Dipswitch settings fault
	70	Computer board Fault
Blinking Two Times	31	Outlet thermistor Failure
	32	Inlet thermistor Failure
	39	Air-fuel Ration Rod Failure
Blinking Three Times	11	Ignition Failure
	12	Flame blows out
	51	Abnormal Gas Solenoid Valve
	55	Abnormal Gas Main Valve
	72	False Flame Detection
	99	Abnormal burning
Blinking Four Times	61	Fan Motor Fault
Blinking Five Times	10	Warning for the "99" error code
OFF	74	Miscommunication between T-K3-OS(SP) and temperature remote controller
Always ON	74	MCU failure

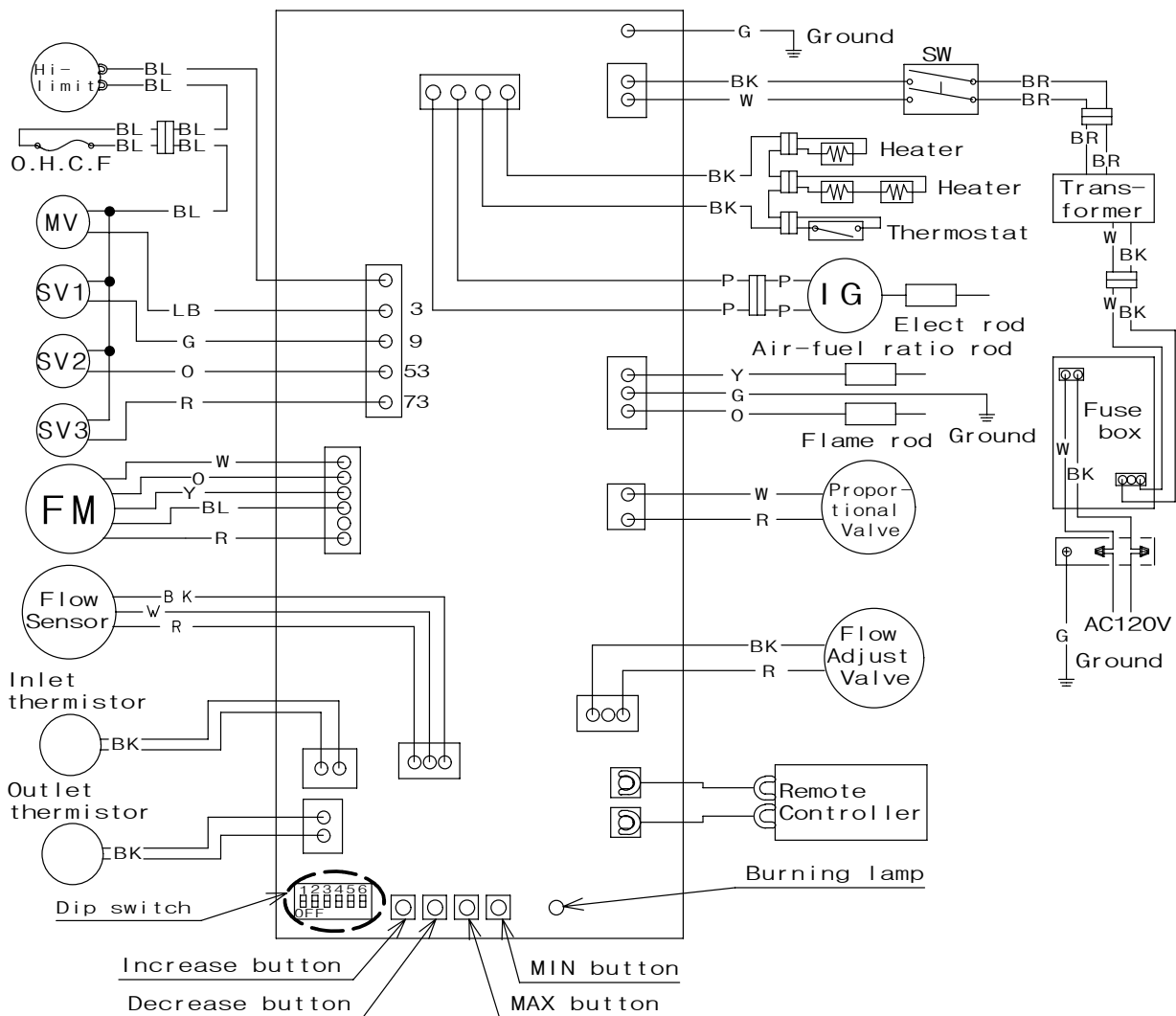
# WIRING DIAGRAM

A wiring diagram is located on the inside front panel of the appliance.

Electrical Rating: 120 VAC, 60 Hz

**Note:** If any of the original wiring supplied with this appliance must be replaced, it must be replaced with appliance wiring material (180c) or its equivalent. Replacement wires are available through Takagi.

- |          |           |                |
|----------|-----------|----------------|
| W: WHITE | BK: BLACK | LB: LIGHT BLUE |
| R: RED   | BL: BLUE  | Y: YELLOW      |
| G: GREEN | O: ORANGE | BR: BROWN      |
|          |           | P: PURPLE      |



# OPERATING SAFETY

## FOR YOUR SAFETY READ BEFORE OPERATING

**WARNING:** If you do not follow these instructions exactly, a fire or explosion may result causing property damage, personal injury or loss of life.

- A. This water heater does not have a pilot. It is equipped with an ignition device that automatically lights the burner. Do not try to light the burner by hand.
- B. BEFORE OPERATING smell all around the water heater area for evidence of leaking gas. Be sure to smell next to the floor because some gas is heavier than air and will settle on the floor.

### WHAT TO DO IF YOU SMELL GAS.

- Do not try to light any appliance.
  - Do not touch any electric switch, do not use any phone in your building.
  - Immediately call your gas supplier from a neighbor's phone. Follow the gas supplier's instructions.
  - If you cannot reach your gas supplier, call the fire department.
- C. Use only your hand to turn the gas valve knob. Never use tools. If the knob will not turn by hand, don't try to repair it. Call a qualified service technician. Forced or attempted repair may result in a fire or explosion.
  - D. Do not use this water heater if any part has been under water. Immediately call a qualified service technician to inspect the water heater and to replace any damaged parts.

## OPERATING INSTRUCTIONS

1. **STOP!** Read the safety information above or in the Owners Manual.
2. Turn off all electric power to the water heater.
3. Do not attempt to light the burner by hand.
4. Turn the manual gas valve located on the outside of the unit clockwise ☺ to the off position.
5. Wait five (5) minutes to clear out any gas. If you then smell gas. STOP! Follow "B" in the safety information above on this label. If you don't smell gas, go to next step.
6. Turn the manual gas valve located on the outside of the unit counter clockwise ☹ to the ON position.
7. Turn on all electrical power to the water heater.
8. If the water heater will not operate, follow the instructions "to Turn Off Gas to water heater" and Call your service technician or gas supplier.

## TO TURN OFF GAS TO APPLIANCE

1. Turn off all electric power to the water heater if service is to be performed.
2. Turn the manual gas valve located on the outside of the unit clockwise ☺ to the off position.

## DANGER



**Vapors from flammable liquids will explode and catch fire causing death or severe burns.**

Do not use or store flammable products such as gasoline, solvents or adhesives in the same room or area near the water heater.

Keep flammable products:

1. Far away from heater.
2. In approved containers.
3. Tightly closed
4. Out of children's reach

Vapors:

1. Cannot be seen
2. Vapors are heavier than air
3. Go a long way on the floor
4. Can be carried from other rooms to the main burner by air currents

**WARNING: Do not install water heater where flammable products will be stored.**

**Read and follow water heater warnings and instructions. If owner's manual is missing, contact the retailer or manufacturer.**

## WARNING

The outlet hot water temperature of the T-K3-OS/SP water heater is factory set at 122 °F. Use this heater at your own risk. The set outlet water temperature can cause severe burns instantly or death from scalds. Test the water before bathing or showering. Do not leave children or an infirm person in the bath unsupervised.

## DANGER



Hot Water Heater temperature over 125 °F can cause severe burns instantly or death from scalding. Children, disabled and elderly are at the highest risk of being scalded. Feel water temperature before bathing or showering. Temperature limiting valves are available. Ask a professional person.

**WARNING:** California Proposition 65 lists chemical substances known to the state to cause cancer, birth defects, death, serious illness or other reproductive harm. This product may contain such substances, be their origin from fuel combustion (gas, oil) or components of the product itself.

# APPLICATIONS

## Space Heating Applications

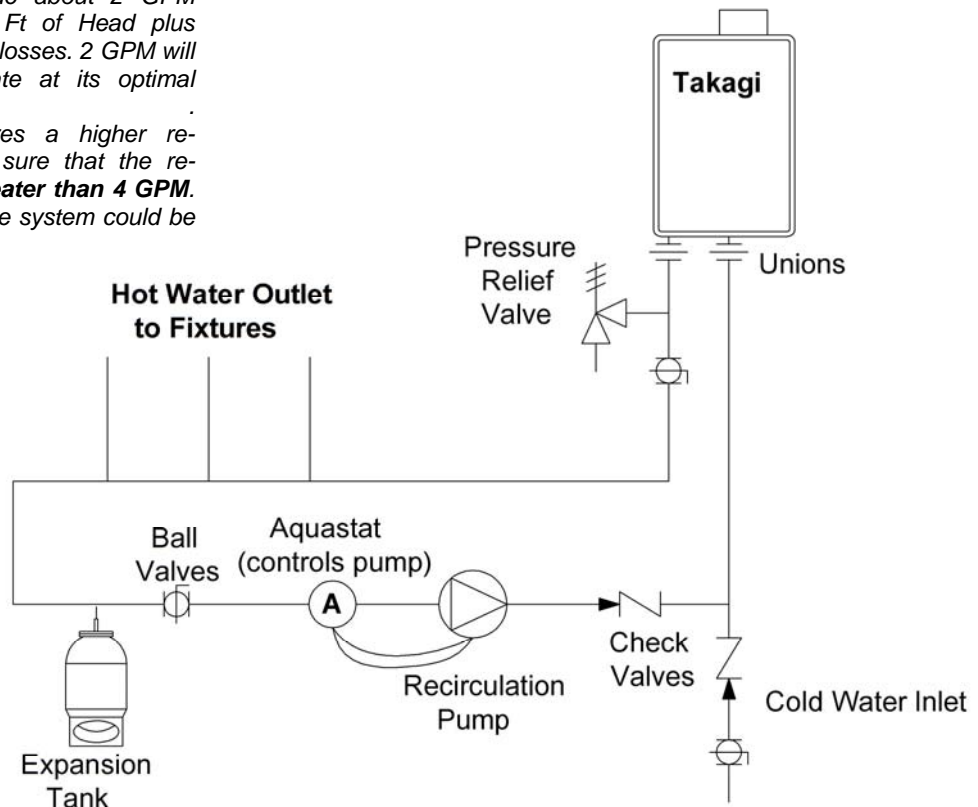
### WARNING

- Toxic chemicals used in boiler treatments such as alcohol, glycerol and glycol group must not be introduced into the system when used for open loop potable water and space heating.
- The FLASH T-K3-OS/SP can be used to supply potable water and space heating and shall not be connected to any heating system or component(s) previously used with non-potable water where any chemicals were added to the water heating appliances.
- When the system requires water for space heating at temperatures higher than required for other uses, a means such as a mixing valve shall be installed to temper the water for those other uses in order to reduce scald hazard potential.
- Water temperature over 125 °F can cause severe burns instantly or death from scalds.
- Chemicals such as diluted Glycol can be used for radiant floor, Hydro/fan coil air or Baseboard heating only. The diluted solution of glycol must contain LESS than 30% of Glycol. Be aware that in closed-loop glycol systems, low pressure in the heat exchanger can cause low-temperature boiling, resulting in excessive noise and damage to the water heater. Consult with the glycol maker for specifications prior to use.

### Re-circulation:

\* Size the pump to provide about 2 GPM through the system at 15 Ft of Head plus applications and piping head losses. 2 GPM will allow the system to operate at its optimal performance.

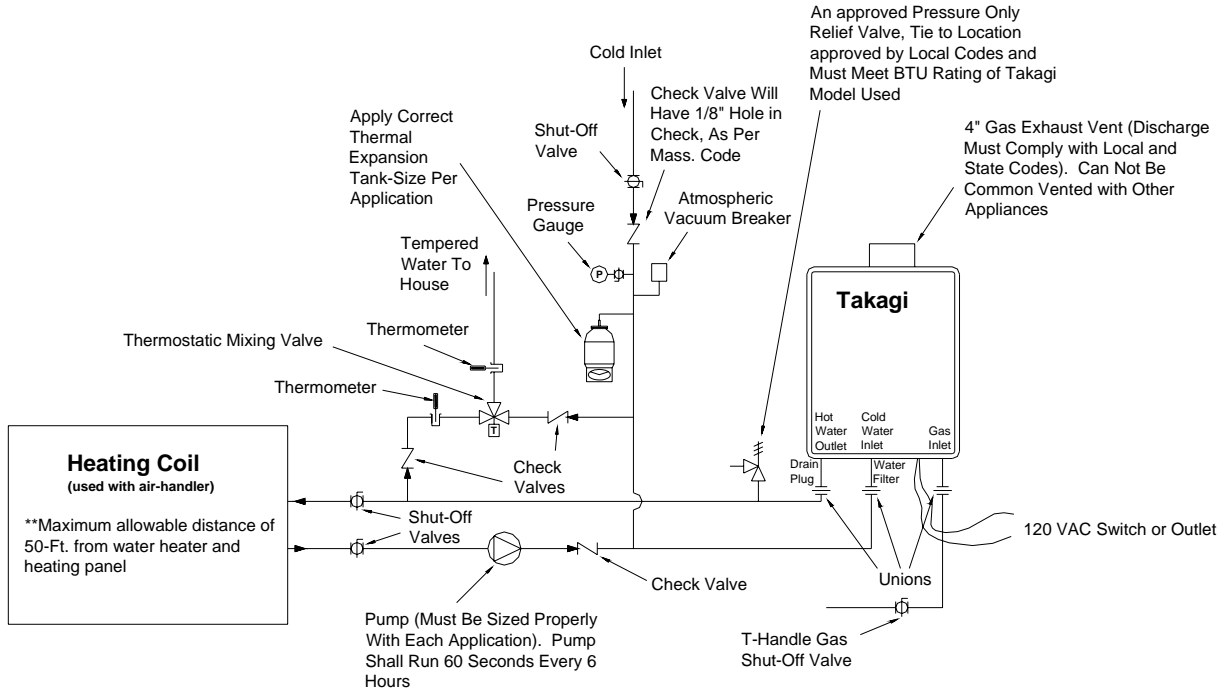
\* If the application requires a higher re-circulating flow rate, make sure that the re-circulating flow rate is **no greater than 4 GPM**. If the flow rate is too high, the system could be damaged by erosion.



This is a concept drawing only.

## Dual-Purpose Hot Water Heating (Domestic and Space Heating):

Diagrammatic Layout of Radiant Heating and Domestic Water Heater Per Mass. Code



- \* Size the pump to provide at least 2 GPM through the system at 15 Ft of Head plus applications and piping head losses. 2 GPM will allow the system to operate at its optimal performance.
- \* If the application requires a higher re-circulating flow rate, make sure that the re-circulating flow rate is **no greater than 4 GPM**. If the flow rate is too high, the system could be damaged by erosion.

**Priority Control Devices** such as a flow switch, an Aquastat or other electronic controller can be used to prioritize the domestic water system over the heating system.

**Warning:** Follow all local codes, or in the absence of local codes, follow the most recent edition of the National Standard Code, ANSI Z21. 10.3.

**Warning:** This illustration is a concept design only. The reference to the 1/8<sup>th</sup> hole in check is only for the State of Massachusetts. There are a wide variety of variations to the application of controls and equipment presented. Designers must add all necessary safety and auxiliary equipment to conform to code requirements and design practice. For more details, contact the Takagi Technical Department at (888) 882-5244



# OPTIONAL ITEMS

## 1. TK-RE02 Temperature Remote Controller



The TK-RE02 Temperature Remote Controller has two functions. It allows the output temperature from the T-K3-OS/SP to be adjusted within the range of 99 °F to 167 °F, and it also works as a diagnostic tool that will give a concise error code whenever there is a problem with the unit. The temperature options are 99°F, 100°F, 102°F, 104°F, 106°F, 108°F, 110°F, 111°F, 113°F, 115°F, 117°F, 122°F, 131°F, 140°F, 158°F, and 167°F. See the trouble shooting section for information on possible error codes.

## 2. TK-BF01 Backflow preventer (for T-K3-SP)



The TK-BF01 Backflow preventer prevents the backflow of air through the exhaust vent. This helps prevent harmful exhaust gases from entering the home, as well as helping to prevent the unit from freezing in areas where cold air can be blown or drawn into the exhaust system. Install this vent damper in accordance with Takagi's installation instructions, and any applicable codes.

## 3. TK-TV04 Vent Cap (for T-K3-SP)



The TK-TV04 Vent Cap is for outdoor installation with the T-K3-SP water heater. The cap is installed on the top of the unit, instead of connecting an exhaust vent pipe. The cap will prevent any debris that might be in the environment from entering the unit and causing damage or a fire hazard, as well as preventing rain or other weather from entering the unit.

## 4. TK-PC01 Pipe cover



The TK-PC01 Pipe cover protects the plumbing pipes to the T-K3-OS/T-K3-SP from unexpected adjustments. This pipe cover is fixed to the bottom of the T-K3-OS/T-K3-SP, which hides the plumbing and improves the visual aspects of the whole installation for the water heater.

## 5. TK-RB01 Recess box (for T-K3-SP)



The TK-RB01 will allow for "clean" installations. The T-K3-SP fits inside the recess box, which hides and protects the whole water heater and plumbing. The TK-RB01 fit between most wall studs.

## 6. TK-RB02 Recess box (for T-K3-OS)



The TK-RB02 will allow for "clean" installations. The T-K3-OS fits inside the recess box, which hides and protects the whole water heater and plumbing. The TK-RB02 fit between most wall studs.

## 7. TK-KPWL4 and TK-KPWH4 T-Vent Wall thimble with Termination (for T-K3-SP)



**TK-KPWL4**  
**Louver**  
**Termination**



**TK-KPWH4**  
**Hood**  
**Termination**

These terminations are used when venting out through the wall and are compatible with the T-Vent pipe system.

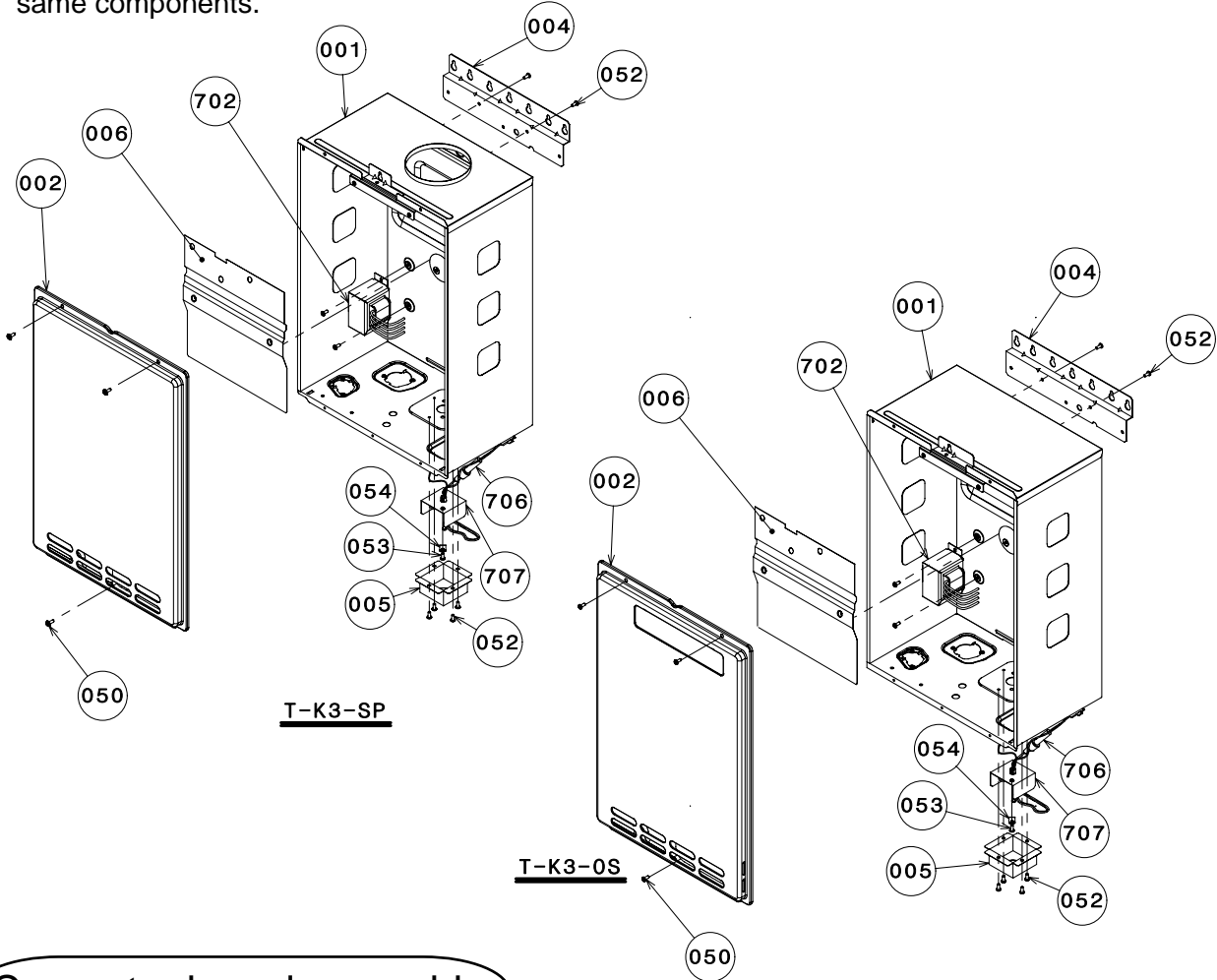
These terminations are special stainless steel vents for gas appliances and are UL listed as Category II, III and IV. There are two types of terminations: the Louver termination and the Hood termination. For different wall thicknesses, there are 3 ranges of lengths available (refer to the T-Vent brochure for details).

Install these vent termination in accordance with Takagi's installation instructions and any applicable local codes.

# COMPONENTS DIAGRAM

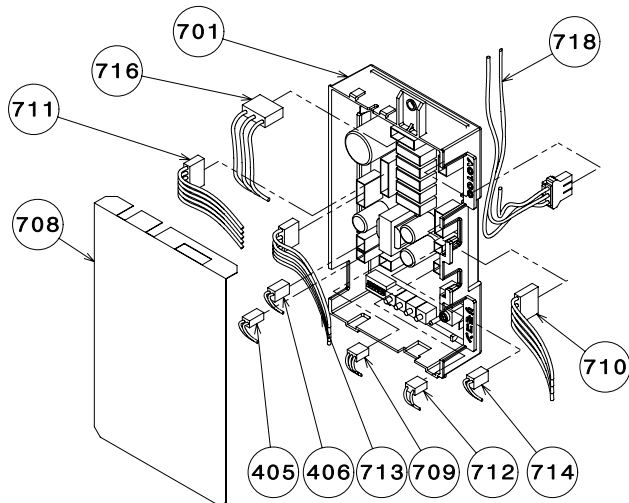
## Case assembly

Other than the case assembly (No.1) and front cover (No.2), the T-K3-OS and T-K3-SP share the same components.



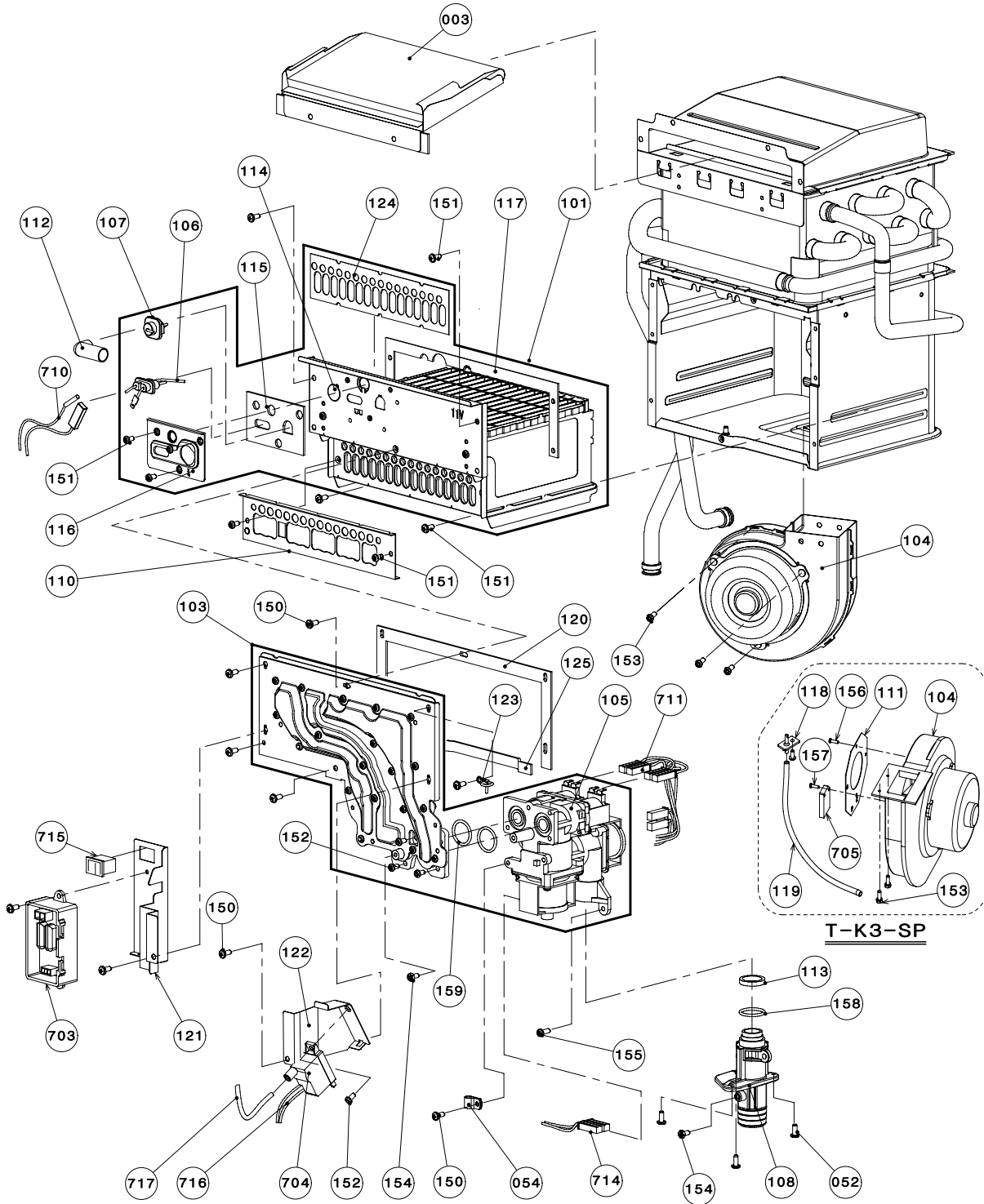
## Computer board assembly

Other than Part# 716, the T-K3-OS and T-K3-SP share the same components.



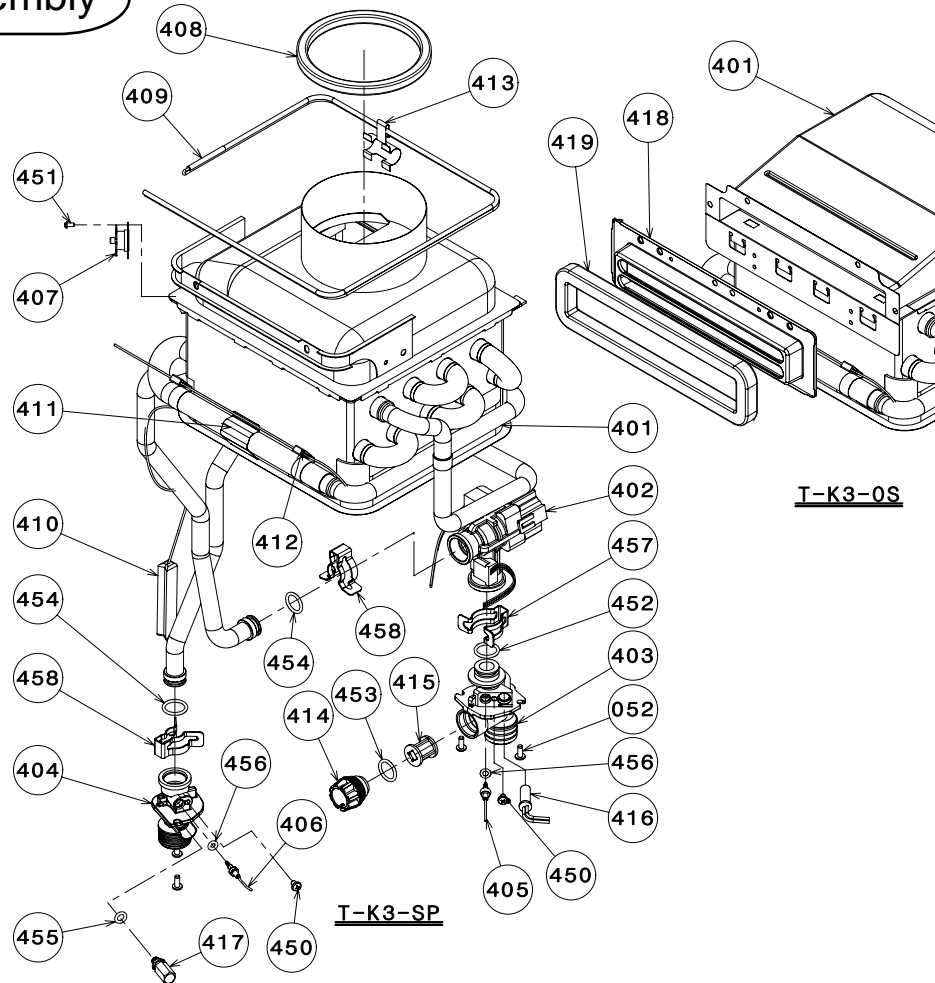
# Burner assembly

Other than the burner assembly (No.101), manifold assembly with gas valve assembly (No.103), fan motor (No.104), damper (No.110), fan damper (No.111), pressure port (No.118), urethane tube (No.119) and freeze protection thermostat (No.705), the T-K3-OS and T-K3-SP share the same components.



## Water way assembly

Other than the heat exchanger assembly (No.401), exhaust (No.418) and silicon ring (No.419), the T-K3-OS and T-K3-SP share the same components.



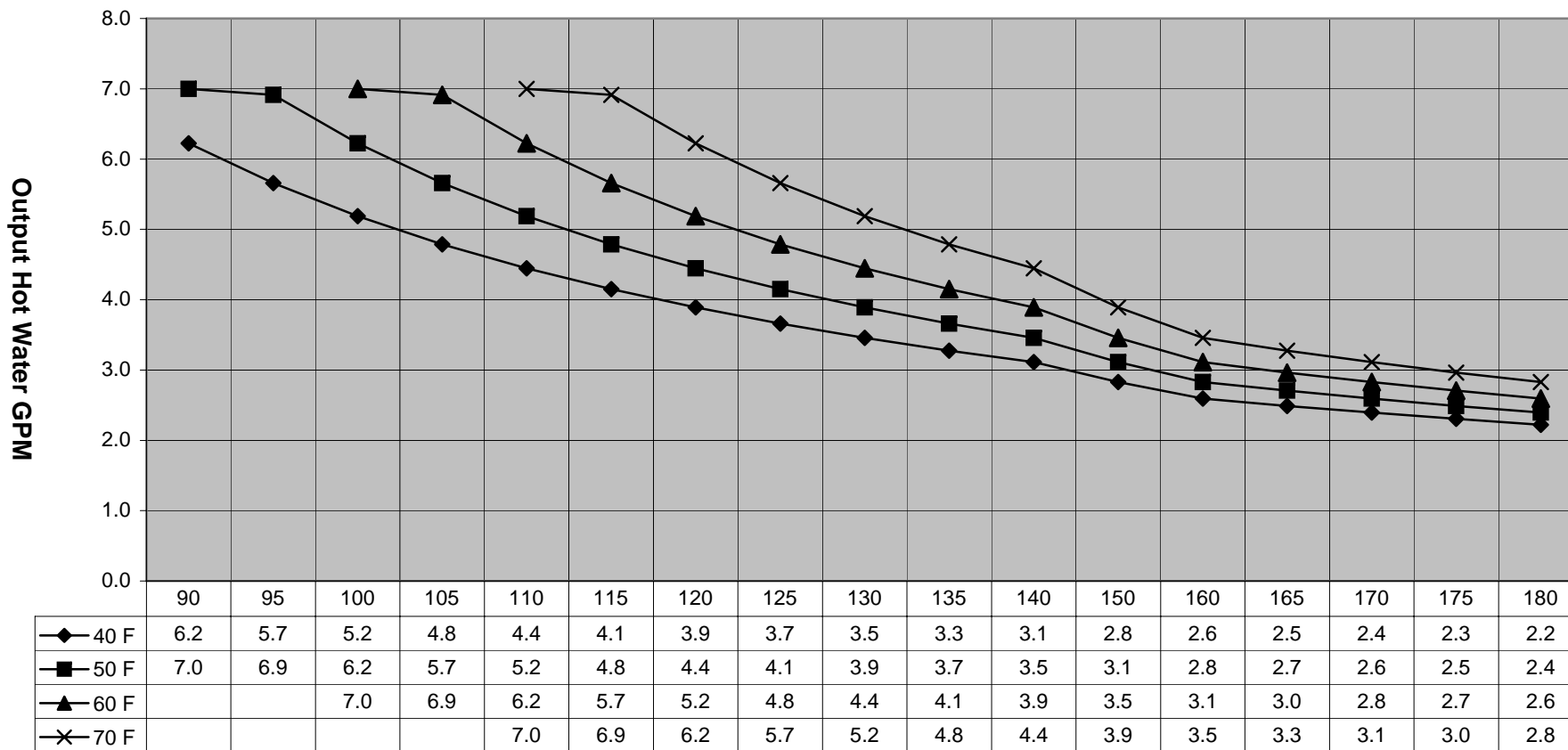
## PARTS LIST

Other than the case assembly (No.1), front cover (No.2), burner assembly (No.101) manifold assembly with gas valve assembly (No.103), fan motor (No.104), damper (No.110), fan damper (No.111), pressure port (No.118), urethane tube (No.119), heat exchanger assembly (No.401), exhaust (No.418), silicon ring (No.419), freeze protection thermostat (No.705) and Igniter and freeze protection wire (No.716), the T-K3-OS and T-K3-SP share the same components.

Item#	Part#	Description	Item#	Part#	Description
001	EKK41(OS) EKK42(SP)	Case assembly	053	EW003	Screw M4X10
			054	EC00X	Nylon cramp
002	EKK43(OS) EKK4E(SP)	Front cover	101	EKK47(OS) EKK1N(SP)	Burner assembly
003	EKK53	Rain protection plate in Exhaust chamber	103	EKK4Z(OS) EKK1S(SP)	Manifold assembly with gas valve assembly LP
004	EKJ09	Bracket		EKK1T (OS/SP)	Manifold assembly with gas valve assembly NA
005	EKJ64	Junction box	104	EKK54(OS) EKK25(SP)	Fan motor
006	EKK5H	Back guard panel		105	EKK1W
050	EW000	Screw M4X12 (w/washer)			
052	EW002	Screw M4X10 (coated)			

Item#	Part#	Description	Item#	Part#	Description
106	EKK0E	Flame rod	409	EK333	Overheat-cut-off-fuse
107	EKK0F	Igniter rod	410	EKK2R	Heater
108	EKK1E	Gas inlet	411	EKK27	Pipe heater fixing plate
110	EKK48(OS) EKK1P(SP)	Damper	412	EKK26	Fuse fixing plate 18
			413	EK029	Fuse fixing plate 14
111	EK270(SP)	Fan damper	414	EKK2B	Inlet drain plug
112	EKN61	Rod cap	415	EKK2C	Inlet water filter
113	EKK2Z	Gas inlet ring	416	EKK2P	Inlet heater
114	EKK2V	Burner window	417	EKK2E	Outlet drain plug
115	EKK2W	Rod holder gasket	418	EKK56(OS)	Exhaust
116	EKK32	Rod holder	419	EKK3G(OS)	Silicon ring
117	EKK0G	Burner holder gasket	450	EW009	Screw M4X6
118	EKK2D(SP)	Pressure port	451	EW00A	Screw M3X6
119	EKK2N(SP)	Urethane tube	452	EZM16	O-ring P16 EPDM
120	EKK2Y	Manifold gasket A	453	EZM15	O-ring P15 EPDM
121	EKK4H	Fuse box plate	454	EZM14	O-ring P14 EPDM
122	EKK1B	Igniter plate	455	EZM06	O-ring P6 EPDM
123	EM167	Wire cramp 60	456	EZM04	O-ring P4 EPDM
124	EKK2X	Burner gasket	457	EM192	Fastener "16A"
125	EKK2K	Manifold gasket B	458	EKK24	Fastener "14-22"
150	EW003	Screw M4X10	701	EKK4N	Computer board
151	EW002	Screw M4X10 (Coated)	702	EKH09	Transformer
152	EKK37	Screw M4X12	703	EK280	Fuse box
153	EW004(SP)	Hex head screw washer M4 X12	704	EKN74	Igniter
			705	EKK40(OS) EKJ59(SP)	Freeze protection thermostat
154	EW005	Hex head screw M4X8			
155	EW006	Screw M4X10	707	EKJ66	Junction box inner plate
156	EW00B(SP)	Screw M3X8	708	EKK49	Computer board cover
157	EW008	Screw M3X10	709	N/A	Flow sensor wire
158	EK042	O-ring P20 NBR	710	EKK3L	Flame rod wire
159	EZP18	O-ring P18 NBR	711	EKK3K	Gas valve wire
401	EKK46(OS) EKK4F(SP)	Heat exchanger assembly	712	N/A	Flow adjustment valve
			713	N/A	Fan motor cable
402	EKK3D	Flow adjustment valve / Flow sensor	714	EKK58	Proportional gas valve
			715	EKK4V	AC120V Power ON-OFF switch
403	EKK1U	Water inlet			
404	EKK1V	Water outlet	716	EKK40(OS) EKK3R(SP)	Igniter and freeze protection wire
405	EKK4J	Inlet thermistor			
406	EKK55	Outlet thermistor	717	EKK2M	High voltage igniter wire
407	EKN34	Hi-limit switch	718	EKK3C	AC120V wire
408	EKN50(SP)	Silicon ring			

**Out Put Temperature vs. GPM (Max. 7.0 GPM) with Various Ground Water Temperature  
Assuming Correct Gas pipe size**



◆ 40 F   ■ 50 F   ▲ 60 F   × 70 F

# **WARRANTY**

Takagi units must be **installed by licensed professionals**; installation done by anyone other than licensed professionals will result in the **Nullification of the Takagi warranty**. To be protected by the warranty, the enclosed warranty card must be completed and returned within 45 days of original purchasing date by retail buyer. Proof of copy of original purchasing date must be sent in with the warranty card. Failure to return the warranty card in due time will void any warranty claims. Based on the condition herein, the customer may register online with attached proof of original purchasing date via the Internet ([www.takagi.com/warranty](http://www.takagi.com/warranty)).

## **General terms of limited warranty:**

The manufacturer, Takagi Industrial Co. USA, Inc. will honor our warranty to the original retail buyer only, and it is not transferable. This warranty strictly covers failed mechanical and electrical parts due to factory defects in normal usage and within the applicable period specified below excluding field labor expenses for service, repairs, reinstallation, permits, or removal and disposal of the failed water heater, or defective component parts and shipping. Takagi is not liable for any special, incidental, or indirect consequential damages including property or personal damages, loss of use, failure to install drain pan under unit, or inconvenience.

## **Parts Warranty:**

If a mechanical and/or electrical part **except the heat-exchanger** fails within five (5) years in normal residential operation or within three (3) years in commercial, industrial, recirculation\* (heating or domestic), and/or a multi-family residential dwelling applications with proper installation (see instruction from installation manual) from the purchasing date, Takagi Industrial Co. USA, Inc. will furnish a replacement part(s) excluding field labor and shipping.

## **Heat-Exchanger Warranty:**

If the heat-exchanger fails within ten (10) years in normal residential operation with proper installation (see instruction from installation manual) from the installation date, Takagi Industrial Co. USA, Inc. will furnish a brand new heat-exchanger or a refurbished or conditioned tankless water heater with same model. For commercial, industrial, and/or recirculation\* applications (heating or domestic) and/or more than a single family residential dwelling, the heat-exchanger is covered within three (3) years of usage excluding labor and shipping.

\*This does not include on-demand recirculation systems. An on-demand recirculation system is a system that utilizes either a push button or other type of manual activation (rather than a temperature sensor or timer) to activate the circulation pump. An on-demand recirculation system can use either the existing cold water line as the return line or have its own dedicated return line.

## **This warranty will not cover the followings:**

1. Any Takagi unit that is not installed by a licensed plumber, gas installer, or contractor.
2. Defects or malfunctions due to improper installation, abnormal application, and lack of maintenance.
3. Damage due to abuse, accident, fire, flood, freezing, or any act of GOD.
4. Failure of Takagi unit due to the water heater being operated in a corrosive, chemically contaminated, lint, fiber glass, or any similar environment.
5. Failure of Takagi unit due to abnormal hardness water quality (scale build up), incorrect water pressure, untreated well water, incorrect supply voltage, incorrect and/or high (excessive) supplied gas pressure from Uniform Plumbing Code specifications.
6. Failure due to excessive temperature that is higher than the factory calibrated temperature limits.
7. Failure or damage due to unauthorized alterations, attachments, repair and/or improperly converted gas type, or using a different supply gas type as specified on the rating plate.
8. Damage due to freezing environment without proper preventive measure as instructed in the installation manual.
9. Damage from condensation due to extensive vent length without condensation drip and/or not following the installation manual.
10. Damage from not installed in accordance with applicable local, state codes, ordinances and good trade practices.
11. Unit is installed outside the United States of America and Canada excluding U.S. territories.

19H046-1

M-001-TK3OS-TK3SP-0