

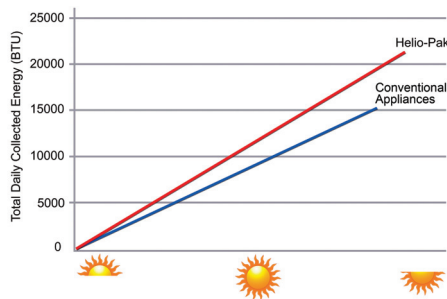
## HELIO-PAK HEAT-TRANSFER APPLIANCE

The Helio-Pak (HPAK) is an all-in-one closed loop heat-transfer appliance, specifically designed to simplify solar hot water systems, and provide maximum heat transfer. The HPAK comes factory assembled, and wired with all necessary components, making installation a trouble-free experience. With its unique design, the SRCC rated its performance as being **25% more efficient** than conventional internal heat exchangers.

A major benefit the Helio-Pak provides is that it attaches directly onto the hot water tank. As a result, under certain conditions, the HPAK can be mounted onto a pre-existing water tank, thereby reducing costs. This is a feature no other solar hot water heat-exchanger on the market can offer.

### Features

- Augmented heat exchanger surface promotes maximum heat generation
- Superior heat transfer via unique counterflow design
- 25% more efficient than conventional internal heat exchangers
- Under certain conditions, can mount to existing tank
- “Plug & Play” installation
- Viewable heat exchanger leak detection
- Several sizes available for differing loads

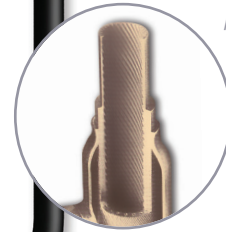


Helio-Pak vs. Conventional Heat-Transfer Appliance



**100%  
factory-tested  
to 300 psi**

- Forced counterflow
- Leak detection efficiency
- Augmented surface promotes heat generation



### HELIO-PAK PRO UPGRADE

The Helio-Pak Pro (with pre-installed Delta-T Pro controller) further enhances the residential solar hot water system, with the addition of user-friendly customizable settings, remote navigation, and expanded system performance data.

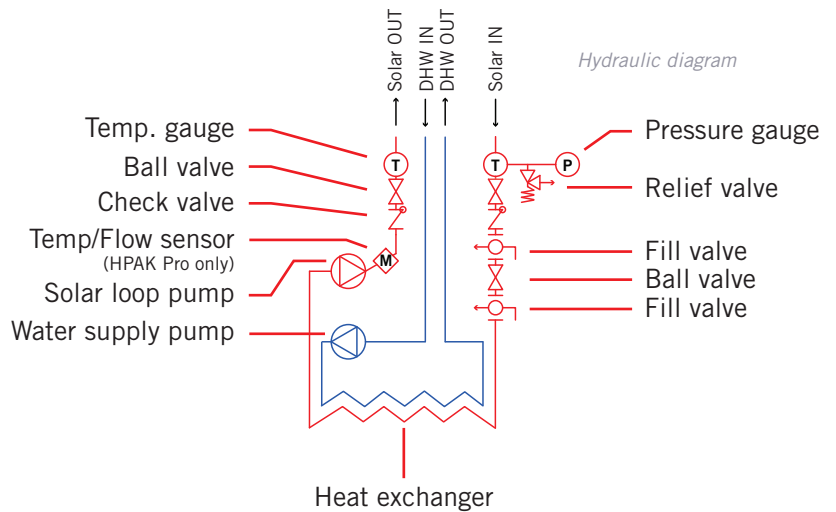
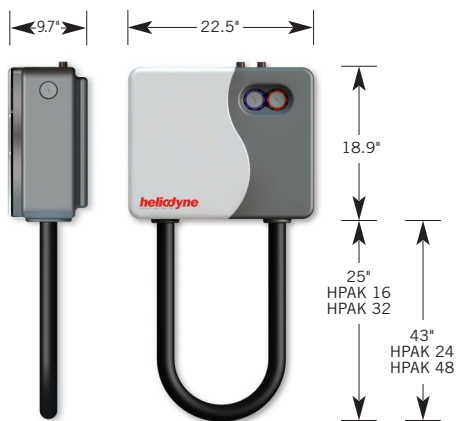
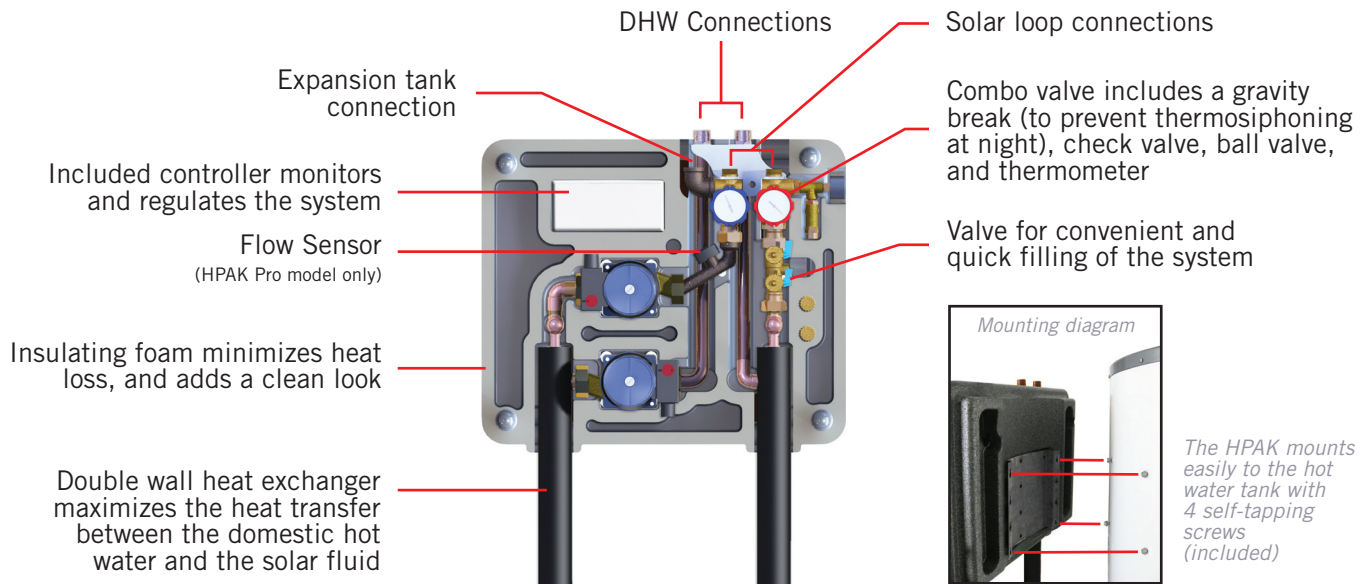
### Features

- Remote Wi-Fi system navigation
- BTU metering
- Stored energy data (BTU, °F, GPM)
- Adjustable user settings
- Vacation mode



Optional IPAQ PDA for remote system monitoring. An optional add-on to the HPAK Pro. Sold separately.

# TECHNICAL SPECIFICATIONS



MODEL	HPAK 16	HPAK 24	HPAK 32	HPAK 48
Heat transfer rate (BTU / hour <sup>1</sup> )	16000	24,000	32,000	48,000
Recommended Flow Rate <sup>2</sup> (Gallons per Minute)	3	4	6	9
Max Collector Surface Area (ft <sup>2</sup> )	96	160	200	321
Recommended Pump Speed (Energy Use)	1 (60W)	2 (90W)	2 (90W)	3 (110W)
Max Piping Resistance <sup>3</sup> (ft of Water)	2	5	6	7
Weight (lbs)	55	65	75	90
Expansion Tank	2 gal.	2 gal.	5 gal.	5 gal.
Voltage	110 VAC, 60 Hz	110 VAC, 60 Hz	110 VAC, 60 Hz	110 VAC, 60 Hz

<sup>1</sup> - At full sun and 20° log mean temperature differential <sup>2</sup> - With max collector surface area installed <sup>3</sup> - With recommended pump speed

PTLS 000 005 042308

Heliodyne, Inc. • 4910 Seaport Avenue • Richmond, CA 94804  
 T: 510.237.9614 • F: 510.237.7018 • www.heliodyne.com  
 Information & Support: info@heliodyne.com

