

HE3XINH



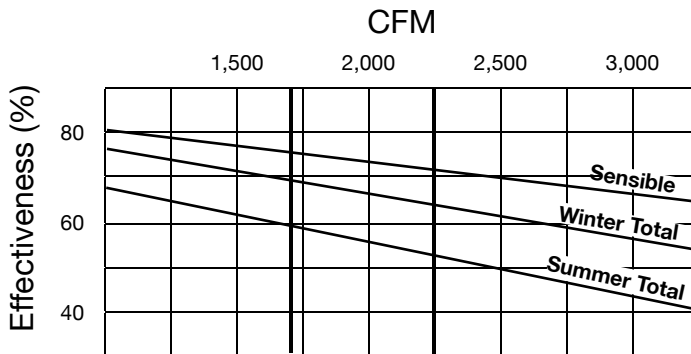
Indoor Unit



Specifications

Ventilation Type: Static Plate, Heat and Humidity Transfer						
Typical Airflow Range: 750-3,300 CFM						
AHRI 1060 Certified Core: Three L125-00						
Airflow Rating Points (for AHRI): 2,250 CFM and 1,689 CFM						
Number Motors: Two belt drive blower/motor packages with adjustable sheaves						
HP	Volts	HZ	Phase	FLA (per motor)	Min. Cir. Amps	Max. Overcurrent Protection Device
2	115	60	Single	20.0	45.0	60
	208-230	60	Single	10.8-10.0	24.3	35
	208-230	60	Three	6.1-5.8	13.6	15
	460	60	Three	2.9	6.5	15
3	575	60	Three	2.4	5.4	15
	208-230	60	Single	14.7-14	33.1	40
	208-230	60	Three	9.4-8.5	21.1	25
	460	60	Three	4.2	9.5	15
5	575	60	Three	3.3	7.4	15
	208-230	60	Three	14.5-13.4	32.6	45
	460	60	Three	6.7	15.1	20
	575	60	Three	5.3	11.9	15
Optional Factory Installed VFD Electrical Specifications						
2	208-230	60	Single	6.1-5.8	26.0	30
	208-230	60	Three	6.1-5.8	15.0	15
	460	60	Three	2.9	7.2	15
	575	60	Three	2.4	5.9	15
3	208-230	60	Single	9.4-8.5	40.2	45
	208-230	60	Three	9.4-8.5	23.2	25
	460	60	Three	4.2	10.5	15
	575	60	Three	3.3	8.2	15
5	208-230	60	Three	14.5-13.4	35.9	45
	460	60	Three	6.7	16.6	20
	575	60	Three	5.3	13.1	15
	Standard Features: Totally Enclosed Premium Efficiency Motors Motor Starters, Non-fused Disconnect 24 VAC Transformer/Relay Package					
Filters: Six total, MERV 8, 2" pleated, 20" x 20" nominal size						
Weight: 701 lbs (unit), 800 lbs (shipping weight, on pallet)						
Shipping Dimensions: 72" L x 72" W x 50" H						
Options: Fused disconnect Double wall construction Factory supplied and mounted Variable Frequency Drives (VFDs) - one or both airstreams Motorized isolation dampers, FA, EA or both airstreams Factory mounted Filter Alarms (2)						

G5 Performance



*At AHRI 1060 standard conditions
(See certified data on page 73 for core components.)

Airflow Performance

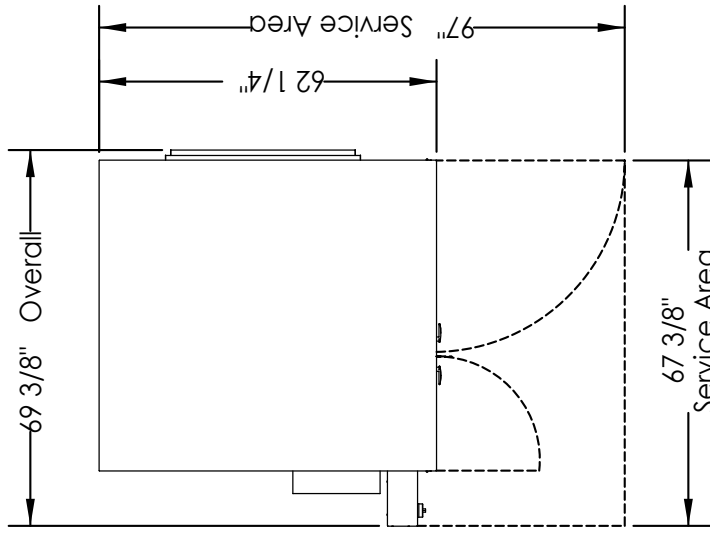
Motor HP	Blower RPM	Turns Open	External Static Pressure (in. w.g.)													
			0.00		0.25		0.50		0.75		1.00		1.25		1.50	
			SCFM	BHP	SCFM	BHP	SCFM	BHP	SCFM	BHP	SCFM	BHP	SCFM	BHP	SCFM	BHP
2	1189	4	2185	1.0	2095	0.9	1900	0.8	1580	0.6	800	0.4	850	0.4	1110	0.6
	1329	2	2440	1.4	2360	1.3	2220	1.2	2020	1.0	1640	0.8	850	0.4	1110	0.6
	1470	0	2700	1.9	2640	1.8	2520	1.6	2360	1.5	2150	1.8	1770	1.0	1110	0.6
3	1496	3	2905	2.4	2815	2.3	2675	2.1	2505	1.9	2340	1.8	2220	1.6	1655	1.2
	1560	2	3030	2.7	2945	2.6	2825	2.5	2655	2.3	2445	2.1	2325	1.9	1990	1.6
	1656	0.5					3040	3.0	2875	2.8	2720	2.6	2575	2.4	2380	2.2
5	1688	0							2950	2.9	2800	2.8	2650	2.6	2490	3.0
	1686	3	3300	3.5	3225	3.4	3015	3.2	2855	3.0	2800	2.8	2645	2.6	2470	2.4
	1764	1.5					3290	3.8	3145	3.5	2995	3.3	2850	3.1	2705	2.9
	1843	0							3300	4.1	3175	3.8	3040	3.6	2900	3.4

Note: Brake Horse Power (BHP) is for one blower motor package only.

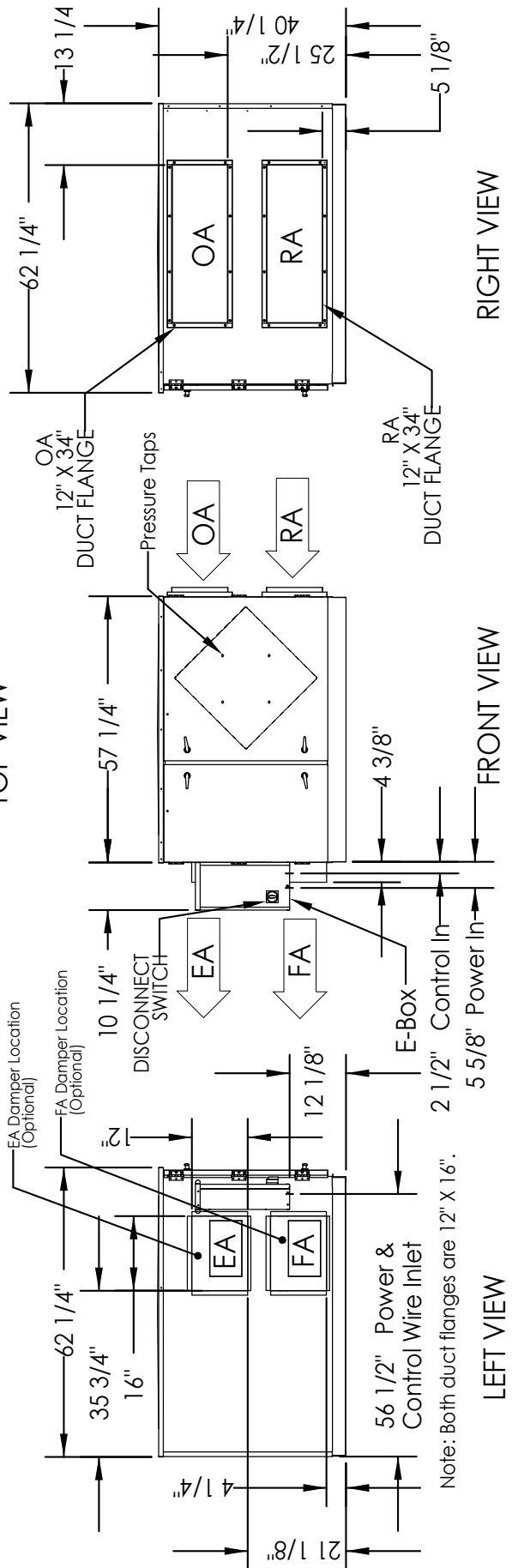
Operation in this zone will likely exceed FLA limits. Operation in this zone outside of core airflow limits.

HE3XINH Unit Dimensions

- EA: Exhaust Air to outdoors
- OA: Outdoor Air intake
- RA: Room Air to be exhausted
- FA: Fresh Air to inside



TOP VIEW



RIGHT VIEW

FRONT VIEW

LEFT VIEW