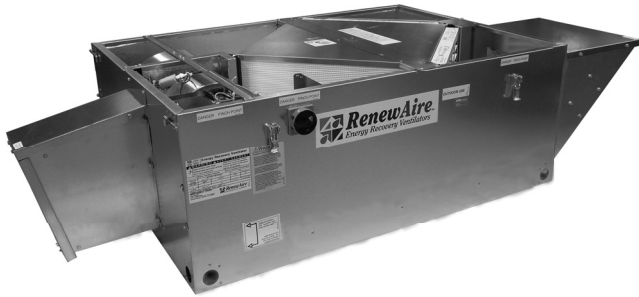


# EV450RT



## Outdoor Unit



## Specifications

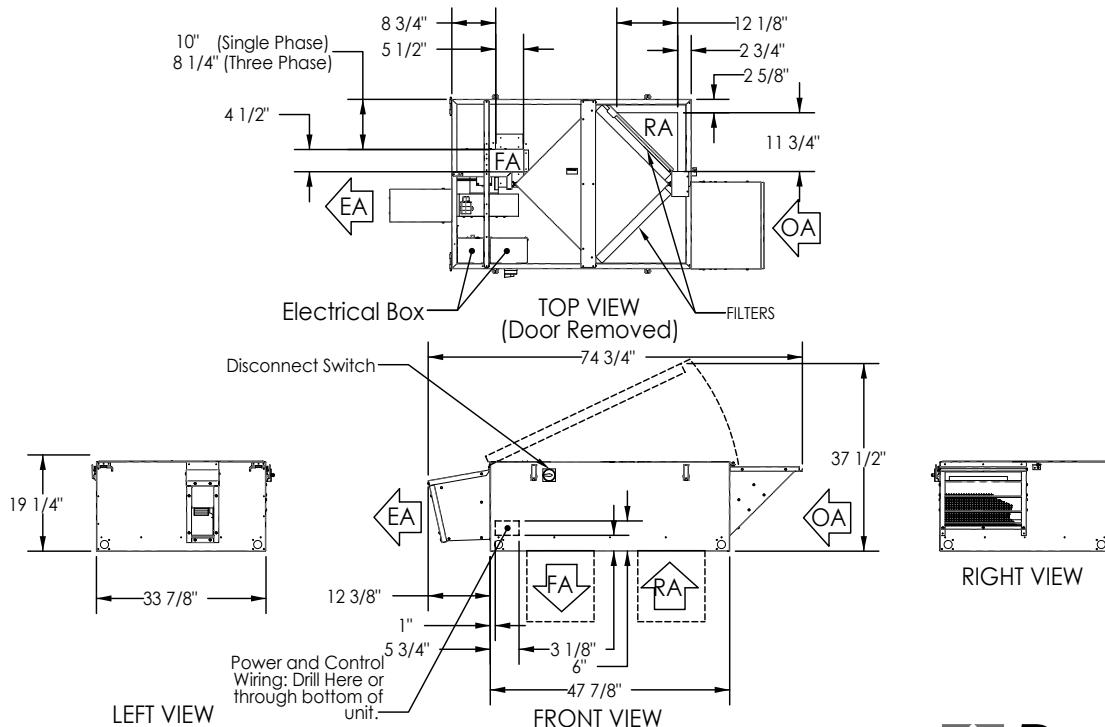
Ventilation Type: Static Plate, Heat and Humidity Transfer					
Typical Airflow Range: 240-500 CFM					
AHRI 1060 Certified Core: One L85					
Airflow Rating Points (for AHRI): 450 CFM and 338 CFM					
Motors: One, 0.6 hp (Single Phase) One, 0.5 hp (Three Phase)					
V	HZ	Phase	FLA	Min. Cir. Amps	Max. Overcurrent Protection Device
115	60	Single	7.2	9.0	15
208-230	60	Single	3.9-3.6	4.9	15
208-230	60	Three	1.7-1.5	2.1	15
460	60	Three	0.8	1.0	15
Standard Features: Non-fused Disconnect 24 VAC Transformer/Relay Package					
Filters: Two total, MERV 8, 2" pleated, 14" x 20" nominal size					
Weight: 250 lbs (unit), 325 lbs (shipping weight, on pallet)					
Shipping Dimensions: 90" L x 45" W x 22" H (on pallet)					
Options:					
ECM Motor – One, 115V or 208-230V 0.75 hp (Single Phase)					
Fused Disconnect					
Double Wall Construction					
Exterior paint – white standard – custom colors available					
Rooftop adaptor transition paint – white standard – custom colors available					
Accessories:					
45RTRF - Rooftop Adaptor for RTR and RTF airflow orientations					
45RTCH - Rooftop Adaptor for RTC and RTH airflow orientations					
45Curb - ERV450RT Rooftop Curb					
45EVCC - EV450RT Tie Down Clip Kit					

## G5 Performance

Airflow CFM	ESP in H <sub>2</sub> O	Watts 1P	Watts 3P	Temp EFF%	Total EFF% Winter/Summer*
240	1.00	425	243	80	75/66
338	0.85	474	313	77	71/61
380	0.75	496	345	75	69/59
450	0.50	534	412	73	66/56
500	0.25	563	461	71	64/54
550	0.00	593	516	70	62/52
600	-0.25	623	572	68	60/50

\*At AHRI 1060 standard conditions  
(See certified data on page 73 for core components.)  
**Note:** Watts is for the entire unit.

## Dimensions



# EV450RT

## Application options

### RTV

EV450RT WITH STANDARD ROOF CURB (45CURB)

Standard Roof Curb Shown (available option).

**Curb Cross Section (Typical for All)**

- 1-1/2" x 14" Neoprene Gasket
- 3/4" x 3 1/2" Wooden Nail
- 18 Gauge Galvanized Steel

### RTR/RTF

EV450RT WITH ADAPTER (45RTRF) AND CURB (45CURB) IN RTR CONFIGURATION

EV450RT WITH ADAPTER (45RTRF) AND CURB (45CURB) IN RTF CONFIGURATION

For horizontal connection of either the Fresh Air duct or the Return Air duct, stack the optional RTF/RTR Adapter on the Standard Roof Curb. **Duct openings to be field cut into adapter.** Opening location and size is flexible.

### RTC/RTH

EV450RT WITH ADAPTER (45RTCH)

The RTH/RTC Adapter allows horizontal connection of both the Fresh Air and the Return Air ducts. It is also possible to connect the adapter directly to the return plenum of most Rooftop Units (openings must be cut into RTU). **Duct openings to be field cut into adapter.** Opening location and size is flexible.

EA: Exhaust Air to outdoors  
 OA: Outdoor Air intake  
 RA: Room Air to be exhausted  
 FA: Fresh Air to inside