



The solution for water shortages



Winner 2007
New Product Award



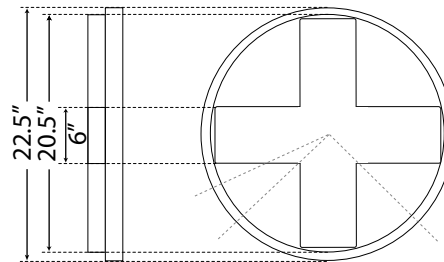
Data Sheet RGW-350



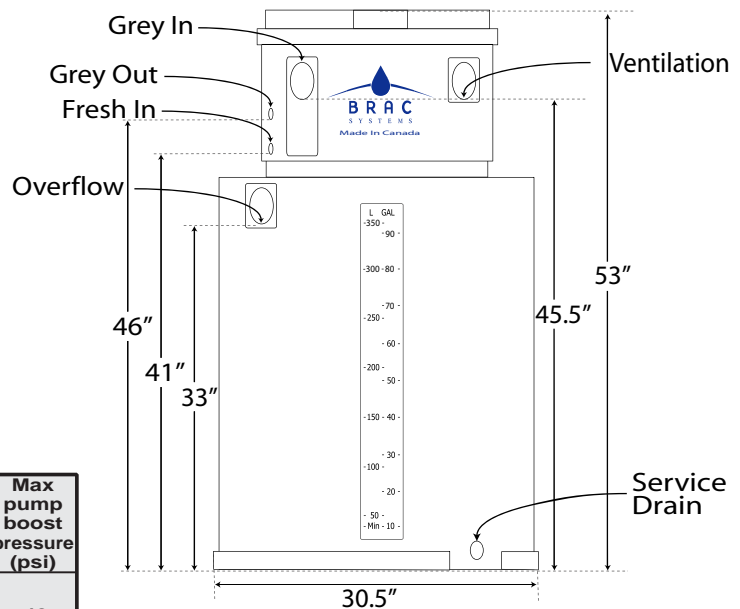
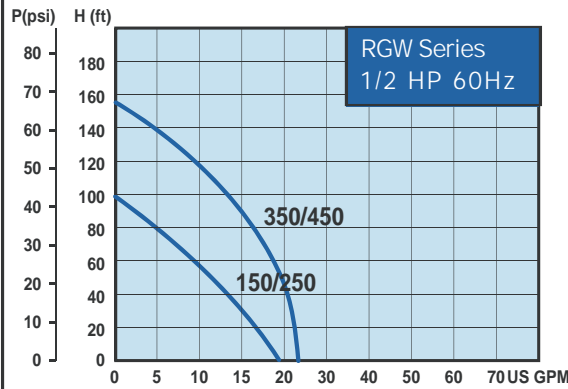
BRAC System RGW-350

The RGW-350 is our second largest residential series tank. Equipped with a 1hp BRAC pump, this model is the perfect solution for larger sized homes with a family of 4 to 6 people. Not only will you be saving money on your water bill, but you will also be reducing your household water consumption by up to a third, thus helping to conserve our most precious natural resource.

Capacity:
350 Liters
92.5 Gallons US
Dimensions:
53" Height (134.5 cm)
30.5" Width (77.5 cm)
105 lbs (47.5 kg)



Hydraulic Performance curve:



Suction Lift Performance Table

Model RGW	Discharge pressure in psi	Capacity in US gallons per Minute						Max pump boost pressure (psi)
		Suction Lift in Feet						
		0	5	10	15	20	25	
150/250	10	16.6	15.6	14.6	13.6	12.7	11.7	40
	20	12.0	11.0	10.0	9.0	7.8	6.6	
	30	7.1	5.8	4.5	3.2	2.0	0.6	
350/450	10	22.4	22.1	21.7	21.3	20.8	20.5	67
	20	20.7	20.2	19.8	19.2	18.8	18.2	
	30	18.3	17.8	17.1	16.2	15.3	14.2	
	40	14.7	13.8	12.9	12.1	11.1	10.2	
	50	10.5	9.3	8.1	6.9	5.6	4.3	

Estimated Yearly Consumption (*1)
 2 person 41 Kwh
 4 person 82 Kwh
 6 person 123 Kwh
 Peak Startup Surge 2100 Watts
 (*1) Based on 7 flushes/person/day (6 litre toilet).

Specification:

Model RGW	Power (HP)	Cycle (Hz)	Phase (Ø)	Voltage (V)	Amp's (A)	H max. (ft)	Q max. (GPM)
150/250	½	60	1	115 / 230	6.0/3.0	92	18.5
350/450	1	60	1	115 / 230	11/5.5	154	23.8