



# BOSCH



---

## BP/CP SERIES

High Efficiency Heat Pumps

- 12 Models from ½ through 6 tons
- Horizontal and Vertical Configurations
- High Efficiency Heat Pump Duty Scroll and Rotary Compressors
- Floating Base Pan for Quiet Operation
- ECM Motors BP/CP015 and higher
- UPM protection
  - Selectable 2/4 restarts before hard lockout
  - Dual rated freeze stat
  - Dip switch settings
  - Wet/Dry alarm contact
- Foil Faced Fiberglass Insulation in Air Handling Section
- TXV Standard
- 1”/2” Four Sided Filter Racks Standard
- Hanging Brackets and Condensate Overflow Switch Standard in Horizontal Units

# CERTIFIED PERFORMANCE DATA

## Series BP/CP Water Source Heat Pump



MODEL	Fluid Flow Rate	ARI/ISO 13256-1 PERFORMANCE DATA											
		ENTERING WATER TEMPERATURES											
		86°F	68°F	59°F	50°F	77°F	32°F						
		WATER LOOP				GROUND WATER				GROUND LOOP			
		CAPACITY AND EFFICIENCY DATA											
		COOLING CAPACITY (WLHP)	EER (WLHP)	HEATING CAPACITY (WLHP)	COP (WLHP)	COOLING CAPACITY (GWHP)	EER (GWHP)	HEATING CAPACITY (GWHP)	COP (GWHP)	COOLING CAPACITY (GLHP)	EER (GLHP)	HEATING CAPACITY (GLHP)	COP (GLHP)
BP007	2.0	6,800	15.70	8,800	5.70	8,400	25.10	7,000	4.90	7,400	18.50	5,100	3.50
BP009	2.5	9,000	16.20	11,200	5.50	10,500	25.50	9,000	4.50	9,500	19.30	6,800	3.60
BP012	4.0	12,200	14.90	16,500	5.10	14,600	22.70	13,000	4.30	13,000	17.50	10,000	3.60
BP015	4.0	15,200	17.50	17,500	5.60	17,000	28.80	13,000	4.60	16,200	20.60	11,000	3.90
BP018	5.0	19,500	16.40	23,500	5.30	21,300	25.60	17,700	4.50	20,500	19.00	14,800	3.80
BP/CP024	6.0	24,500	18.20	28,500	5.70	28,400	28.10	23,700	4.60	26,000	21.10	18,000	4.00
BP/CP030	7.0	27,000	16.60	31,000	5.90	31,700	27.00	25,000	5.20	28,500	19.40	20,500	4.30
BP/CP036	10.0	36,000	17.20	41,000	5.60	40,200	25.90	34,400	4.90	37,500	19.70	28,000	4.10
BP/CP042	10.5	40,600	17.90	42,000	5.90	46,200	25.70	35,000	4.40	42,000	21.20	28,000	4.10
BP/CP048	12.0	48,000	17.10	50,000	5.30	53,600	25.50	40,500	4.30	50,200	19.80	33,400	3.70
BP/CP060	15.0	62,000	17.10	72,000	5.80	67,600	24.40	56,700	4.90	64,500	19.50	47,000	4.30
BP/CP070	17.0	68,000	16.20	86,000	5.60	71,400	22.40	71,400	5.00	70,500	18.50	56,500	4.20

Tabulated performance data is at noted water temperatures and entering air conditions of 80.6°F DB/66.2°F WB at ARI/ISO 13256-1 rated CFM



# CAPACITY DATA - BP007

(All Data at 300 CFM)

COOLING									HEATING							
Entering Fluid Temp (F)	Water Flow (GPM)	Pressure Drop (FOH)	Entering Air Temp (db/wb) F	Total Capacity (MBTUH)	Sensible Capacity (MBTUH)	Heat of Rej. (MB-TUH)	Power Input (kW)	EER	Entering Fluid Temp (F)	Entering Air Temp (F)	Total Capacity (MB-TUH)	Heat of Abs. (MB-TUH)	Power Input (kW)	COP		
40	1.5	3.20	75/63	8.92	7.03	10.13	0.35	25.24	30	60	5.22	3.70	0.45	3.43		
			80/67	9.72	7.37	10.93	0.36	27.37		70	4.94	3.39	0.45	3.19		
			85/71	10.52	7.65	11.74	0.36	29.48		80	4.61	3.03	0.46	2.92		
	2	5.37	75/63	8.98	7.08	10.16	0.35	25.98		60	5.38	3.85	0.45	3.52		
			80/67	9.78	7.41	10.97	0.35	28.17		70	5.09	3.54	0.46	3.27		
			85/71	10.59	7.70	11.78	0.35	30.34		80	4.75	3.17	0.47	2.99		
	3	11.15	75/63	9.09	7.17	10.21	0.33	27.58		60	5.70	4.16	0.45	3.69		
			80/67	9.90	7.51	11.03	0.33	29.90		70	5.39	3.82	0.46	3.43		
			85/71	10.72	7.80	11.85	0.33	32.21		80	5.04	3.43	0.47	3.14		
50	1.5	3.09	75/63	8.32	6.59	9.62	0.38	21.77	40	60	6.23	4.69	0.45	4.03		
			80/67	9.07	6.90	10.38	0.38	23.61		70	5.89	4.32	0.46	3.75		
			85/71	9.81	7.17	11.13	0.39	25.43		80	5.50	3.90	0.47	3.43		
	2	5.19	75/63	8.37	6.63	9.64	0.37	22.42		60	6.42	4.87	0.45	4.14		
			80/67	9.12	6.94	10.40	0.38	24.31		70	6.08	4.50	0.46	3.85		
			85/71	9.87	7.21	11.16	0.38	26.19		80	5.67	4.06	0.47	3.52		
	3	10.77	75/63	8.47	6.71	9.69	0.36	23.81		60	6.81	5.24	0.46	4.34		
			80/67	9.23	7.03	10.46	0.36	25.82		70	6.44	4.85	0.47	4.04		
			85/71	10.00	7.30	11.22	0.36	27.81		80	6.01	4.38	0.48	3.69		
60	1.5	2.99	75/63	7.72	6.16	9.12	0.41	18.79	50	60	7.24	5.67	0.46	4.62		
			80/67	8.41	6.45	9.82	0.41	20.38		70	6.85	5.26	0.47	4.30		
			85/71	9.10	6.70	10.52	0.41	21.95		80	6.39	4.76	0.48	3.93		
	2	5.02	75/63	7.76	6.20	9.13	0.40	19.35		60	7.47	5.89	0.46	4.74		
			80/67	8.46	6.49	9.84	0.40	20.99		70	7.06	5.46	0.47	4.41		
			85/71	9.16	6.74	10.54	0.41	22.61		80	6.59	4.95	0.48	4.03		
	3	10.41	75/63	7.86	6.27	9.16	0.38	20.56		60	7.92	6.33	0.47	4.97		
			80/67	8.57	6.57	9.88	0.38	22.30		70	7.49	5.87	0.47	4.63		
			85/71	9.27	6.83	10.59	0.39	24.02		80	6.99	5.33	0.48	4.23		
70	1.5	2.89	75/63	7.11	5.75	8.61	0.44	16.20	60	60	8.25	6.66	0.47	5.19		
			80/67	7.75	6.02	9.26	0.44	17.57		70	7.81	6.19	0.47	4.83		
			85/71	8.39	6.26	9.91	0.44	18.92		80	7.28	5.63	0.48	4.41		
	2	4.85	75/63	7.16	5.78	8.62	0.43	16.68		60	8.51	6.91	0.47	5.32		
			80/67	7.80	6.06	9.27	0.43	18.10		70	8.05	6.42	0.48	4.95		
			85/71	8.45	6.30	9.93	0.43	19.49		80	7.51	5.85	0.49	4.52		
	3	10.06	75/63	7.25	5.86	8.64	0.41	17.74		60	9.03	7.41	0.47	5.59		
			80/67	7.90	6.14	9.30	0.41	19.24		70	8.54	6.89	0.48	5.20		
			85/71	8.55	6.37	9.96	0.41	20.72		80	7.96	6.29	0.49	4.75		
80	1.5	2.80	75/63	6.51	5.35	8.11	0.47	13.92	70	60	9.27	7.65	0.47	5.74		
			80/67	7.10	5.60	8.70	0.47	15.10		70	8.76	7.12	0.48	5.34		
			85/71	7.69	5.82	9.30	0.47	16.26		80	8.17	6.50	0.49	4.88		
	2	4.70	75/63	6.55	5.38	8.11	0.46	14.34		60	9.56	7.93	0.48	5.89		
			80/67	7.14	5.64	8.71	0.46	15.56		70	9.04	7.39	0.48	5.48		
			85/71	7.73	5.86	9.31	0.46	16.76		80	8.43	6.74	0.49	5.00		
	3	9.74	75/63	6.63	5.45	8.12	0.43	15.25		60	10.14	8.50	0.48	6.19		
			80/67	7.23	5.71	8.72	0.44	16.54		70	9.59	7.92	0.49	5.75		
			85/71	7.83	5.93	9.33	0.44	17.82		80	8.94	7.24	0.50	5.25		
85	1.5	2.75	75/63	6.21	5.15	7.85	0.48	12.88	80	60	10.28	8.64	0.48	6.28		
			80/67	6.77	5.40	8.42	0.48	13.97		70	9.72	8.05	0.49	5.84		
			85/71	7.33	5.61	8.99	0.49	15.05		80	9.06	7.36	0.50	5.33		
	2	4.62	75/63	6.25	5.18	7.85	0.47	13.27		60	10.60	8.96	0.48	6.44		
			80/67	6.81	5.43	8.43	0.47	14.40		70	10.02	8.35	0.49	5.99		
			85/71	7.38	5.64	9.00	0.48	15.51		80	9.35	7.64	0.50	5.47		
	3	9.59	75/63	6.33	5.25	7.85	0.45	14.12		60	11.24	9.58	0.49	6.77		
			80/67	6.90	5.50	8.43	0.45	15.31		70	10.63	8.94	0.50	6.29		
			85/71	7.47	5.71	9.01	0.45	16.50		80	9.91	8.19	0.51	5.74		
90	1.5	2.71	75/63	5.91	4.95	7.60	0.50	11.90	Extended Range - Anti-freeze required	AHRI/ISO1325G-1 certified performance is rated at entering air conditions of 80.6°F DB and 66.2°F WB in cooling and 68°F DB in heating. Tabulated unit performance does not include fan or pump power corrections required for AHRI/ISO standard performance ratings. Unit performance may be interpolated. Extrapolation is not allowed. For conditions other than rating conditions provided, consult the Bosch EAD selection software. Ratings below 40°F are with a methanol solution. Due to variations in installation, actual performance may vary from the tabulated data. Performance contained herein are as a result of extensive testing by Bosch and are not express warranties between the parties and may be changed at any time. Continuous research and development to improve our products may result in a change to the current design and specifications without notice.	80	60	10.28	8.64	0.48	6.28
			80/67	6.44	5.19	8.14	0.50	12.91				70	9.72	8.05	0.49	5.84
			85/71	6.98	5.39	8.69	0.50	13.91				80	9.06	7.36	0.50	5.33
	2	4.55	75/63	5.94	4.98	7.60	0.48	12.27				60	10.60	8.96	0.48	6.44
			80/67	6.48	5.22	8.14	0.49	13.31				70	10.02	8.35	0.49	5.99
			85/71	7.02	5.42	8.69	0.49	14.34				80	9.35	7.64	0.50	5.47
	3	9.44	75/63	6.02	5.04	7.59	0.46	13.05				60	11.24	9.58	0.49	6.77
			80/67	6.56	5.29	8.15	0.46	14.16				70	10.63	8.94	0.50	6.29
			85/71	7.11	5.49	8.70	0.47	15.25				80	9.91	8.19	0.51	5.74
100	1.5	2.63	75/63	5.30	4.55	7.10	0.52	10.10	Extended Range - Anti-freeze required	AHRI/ISO1325G-1 certified performance is rated at entering air conditions of 80.6°F DB and 66.2°F WB in cooling and 68°F DB in heating. Tabulated unit performance does not include fan or pump power corrections required for AHRI/ISO standard performance ratings. Unit performance may be interpolated. Extrapolation is not allowed. For conditions other than rating conditions provided, consult the Bosch EAD selection software. Ratings below 40°F are with a methanol solution. Due to variations in installation, actual performance may vary from the tabulated data. Performance contained herein are as a result of extensive testing by Bosch and are not express warranties between the parties and may be changed at any time. Continuous research and development to improve our products may result in a change to the current design and specifications without notice.	80	60	10.28	8.64	0.48	6.28
			80/67	5.79	4.77	7.59	0.53	10.97				70	9.72	8.05	0.49	5.84
			85/71	6.27	4.96	8.08	0.53	11.82				80	9.06	7.36	0.50	5.33
	2	4.41	75/63	5.34	4.58	7.09	0.51	10.42				60	10.60	8.96	0.48	6.44
			80/67	5.82	4.80	7.58	0.52	11.30				70	10.02	8.35	0.49	5.99
			85/71	6.31	4.99	8.07	0.52	12.18				80	9.35	7.64	0.50	5.47
	3	9.16	75/63	5.40	4.64	7.07	0.49	11.08				60	11.24	9.58	0.49	6.77
			80/67	5.90	4.86	7.57	0.49	12.03				70	10.63	8.94	0.50	6.29
			85/71	6.39	5.05	8.07	0.49	12.96				80	9.91	8.19	0.51	5.74
110	3	8.90	75/63	4.79	4.23	6.54	0.51	9.32	Extended Range - Anti-freeze required	AHRI/ISO1325G-1 certified performance is rated at entering air conditions of 80.6°F DB and 66.2°F WB in cooling and 68°F DB in heating. Tabulated unit performance does not include fan or pump power corrections required for AHRI/ISO standard performance ratings. Unit performance may be interpolated. Extrapolation is not allowed. For conditions other than rating conditions provided, consult the Bosch EAD selection software. Ratings below 40°F are with a methanol solution. Due to variations in installation, actual performance may vary from the tabulated data. Performance contained herein are as a result of extensive testing by Bosch and are not express warranties between the parties and may be changed at any time. Continuous research and development to improve our products may result in a change to the current design and specifications without notice.	80	60	10.28	8.64	0.48	6.28
			80/67	5.23	4.43	6.99	0.52	10.12				70	9.72	8.05	0.49	5.84
			85/71	5.66	4.60	7.44	0.52	10.91				80	9.06	7.36	0.50	5.33



# CAPACITY DATA - BP009

(All Data at 325 CFM)

COOLING									HEATING					
Entering Fluid Temp (F)	Water Flow (GPM)	Pressure Drop (FOH)	Entering Air Temp (db/wb) F	Total Capacity (MBTUH)	Sensible Capacity (MBTUH)	Heat of Rej. (MB-TUH)	Power Input (kW)	EER	Entering Fluid Temp (F)	Entering Air Temp (F)	Total Capacity (MB-TUH)	Heat of Abs. (MB-TUH)	Power Input (kW)	COP
40	1.5	2.55	75/63	10.46	8.26	11.67	0.35	29.58	30	60	6.78	4.88	0.56	3.57
			80/67	11.40	8.65	12.61	0.36	32.06		70	6.41	4.48	0.57	3.31
			85/71	12.33	8.98	13.55	0.36	34.51		80	5.98	4.01	0.58	3.03
	2.5	6.40	75/63	10.57	8.34	11.73	0.34	31.00		60	7.12	5.21	0.56	3.71
			80/67	11.51	8.74	12.68	0.34	33.60		70	6.74	4.79	0.57	3.45
			85/71	12.45	9.07	13.63	0.34	36.17		80	6.29	4.29	0.58	3.15
	3.5	11.73	75/63	10.67	8.43	11.79	0.33	32.53		60	7.47	5.53	0.57	3.86
			80/67	11.62	8.82	12.75	0.33	35.26		70	7.06	5.10	0.58	3.59
			85/71	12.58	9.16	13.71	0.33	37.95		80	6.59	4.58	0.59	3.28
50	1.5	2.46	75/63	9.97	7.90	11.36	0.41	24.45	40	60	7.96	6.00	0.57	4.07
			80/67	10.86	8.28	12.26	0.41	26.50		70	7.52	5.53	0.58	3.78
			85/71	11.75	8.59	13.15	0.41	28.53		80	7.02	4.98	0.60	3.45
	2.5	6.18	75/63	10.07	7.98	11.41	0.39	25.64		60	8.36	6.39	0.58	4.24
			80/67	10.97	8.36	12.31	0.39	27.79		70	7.91	5.90	0.59	3.94
			85/71	11.87	8.68	13.22	0.40	29.92		80	7.37	5.32	0.60	3.60
	3.5	11.32	75/63	10.17	8.06	11.46	0.38	26.93		60	8.77	6.78	0.58	4.41
			80/67	11.07	8.44	12.37	0.38	29.19		70	8.29	6.27	0.59	4.10
			85/71	11.98	8.77	13.28	0.38	31.42		80	7.73	5.66	0.61	3.74
60	1.5	2.38	75/63	9.47	7.57	11.05	0.46	20.53	50	60	9.13	7.12	0.59	4.55
			80/67	10.32	7.93	11.90	0.46	22.24		70	8.64	6.59	0.60	4.23
			85/71	11.17	8.24	12.76	0.47	23.95		80	8.05	5.96	0.61	3.86
	2.5	5.97	75/63	9.57	7.65	11.08	0.44	21.54		60	9.60	7.57	0.59	4.74
			80/67	10.42	8.01	11.95	0.45	23.34		70	9.08	7.02	0.60	4.40
			85/71	11.28	8.32	12.81	0.45	25.12		80	8.46	6.36	0.62	4.02
	3.5	10.94	75/63	9.66	7.72	11.12	0.43	22.63		60	10.07	8.02	0.60	4.93
			80/67	10.53	8.09	11.99	0.43	24.52		70	9.52	7.44	0.61	4.58
			85/71	11.39	8.40	12.86	0.43	26.40		80	8.87	6.75	0.62	4.18
70	1.5	2.30	75/63	8.98	7.27	10.74	0.52	17.42	60	60	10.31	8.25	0.60	5.00
			80/67	9.78	7.61	11.55	0.52	18.88		70	9.75	7.65	0.61	4.65
			85/71	10.58	7.90	12.36	0.52	20.32		80	9.09	6.94	0.63	4.24
	2.5	5.78	75/63	9.07	7.34	10.76	0.50	18.28		60	10.84	8.76	0.61	5.21
			80/67	9.88	7.69	11.58	0.50	19.81		70	10.25	8.13	0.62	4.84
			85/71	10.69	7.98	12.40	0.50	21.33		80	9.55	7.39	0.63	4.42
	3.5	10.58	75/63	9.16	7.41	10.78	0.48	19.22		60	11.37	9.27	0.61	5.42
			80/67	9.98	7.76	11.61	0.48	20.83		70	10.75	8.61	0.63	5.03
			85/71	10.80	8.06	12.44	0.48	22.42		80	10.02	7.84	0.64	4.59
80	1.5	2.23	75/63	8.48	6.98	10.43	0.57	14.90	70	60	11.48	9.37	0.62	5.43
			80/67	9.24	7.31	11.20	0.57	16.15		70	10.86	8.71	0.63	5.05
			85/71	10.00	7.59	11.97	0.58	17.38		80	10.12	7.92	0.64	4.60
	2.5	5.59	75/63	8.57	7.05	10.44	0.55	15.64		60	12.07	9.94	0.62	5.66
			80/67	9.33	7.38	11.21	0.55	16.96		70	11.42	9.24	0.64	5.26
			85/71	10.10	7.67	11.99	0.55	18.25		80	10.64	8.42	0.65	4.80
	3.5	10.24	75/63	8.65	7.12	10.45	0.53	16.45		60	12.66	10.51	0.63	5.89
			80/67	9.43	7.46	11.23	0.53	17.83		70	11.97	9.78	0.64	5.47
			85/71	10.20	7.74	12.02	0.53	19.19		80	11.16	8.92	0.66	4.99
85	1.5	2.19	75/63	8.24	6.84	10.27	0.60	13.81	80	60	12.66	10.49	0.64	5.84
			80/67	8.97	7.17	11.02	0.60	14.97		70	11.97	9.76	0.65	5.42
			85/71	9.71	7.44	11.77	0.60	16.11		80	11.16	8.90	0.66	4.95
	2.5	5.50	75/63	8.32	6.91	10.28	0.57	14.50		60	13.31	11.13	0.64	6.09
			80/67	9.06	7.24	11.03	0.58	15.72		70	12.59	10.36	0.65	5.65
			85/71	9.81	7.52	11.79	0.58	16.92		80	11.73	9.46	0.67	5.16
	3.5	10.08	75/63	8.40	6.98	10.28	0.55	15.25		60	13.96	11.76	0.65	6.33
			80/67	9.15	7.31	11.04	0.55	16.53		70	13.20	10.95	0.66	5.88
			85/71	9.90	7.59	11.80	0.56	17.80		80	12.30	10.01	0.67	5.36
90	1.5	2.16	75/63	7.99	6.71	10.12	0.62	12.82	Extended Range - Anti-freeze required					
			80/67	8.70	7.02	10.84	0.63	13.89						
			85/71	9.42	7.30	11.57	0.63	14.95						
	2.5	5.42	75/63	8.07	6.77	10.11	0.60	13.46						
			80/67	8.79	7.10	10.85	0.60	14.59						
			85/71	9.51	7.37	11.58	0.61	15.71						
	3.5	9.93	75/63	8.15	6.84	10.11	0.58	14.16						
			80/67	8.88	7.17	10.85	0.58	15.35						
			85/71	9.61	7.44	11.59	0.58	16.52						
100	1.5	2.10	75/63	7.49	6.44	9.80	0.68	11.06						
			80/67	8.17	6.75	10.49	0.68	11.99						
			85/71	8.84	7.01	11.17	0.68	12.91						
	2.5	5.26	75/63	7.57	6.51	9.79	0.65	11.62						
			80/67	8.25	6.82	10.48	0.65	12.60						
			85/71	8.93	7.08	11.17	0.66	13.56						
	3.5	9.63	75/63	7.64	6.57	9.78	0.62	12.23						
			80/67	8.33	6.88	10.47	0.63	13.26						
			85/71	9.01	7.15	11.17	0.63	14.27						
110	3.5	9.35	75/63	7.14	6.31	9.44	0.67	10.59						
			80/67	7.78	6.61	10.09	0.68	11.47						
			85/71	8.42	6.86	10.75	0.68	12.35						

Extended Range - Anti-freeze required

AHRI/ISO1325G-1 certified performance is rated at entering air conditions of 80.6°F DB and 66.2°F WB in cooling and 68°F DB in heating.

Tabulated unit performance does not include fan or pump power corrections required for AHRI/ISO standard performance ratings.

Unit performance may be interpolated. Extrapolation is not allowed.

For conditions other than rating conditions provided, consult the Bosch EAD selection software.

Ratings below 40°F are with a methanol solution.

Due to variations in installation, actual performance may vary from the tabulated data. Performance contained herein are as a result of extensive testing by Bosch and are not express warranties between the parties and may be changed at any time.

Continuous research and development to improve our products may result in a change to the current design and specifications without notice.



# CAPACITY DATA - BP012

(All Data at 400 CFM)

COOLING									HEATING					
Entering Fluid Temp (F)	Water Flow (GPM)	Pressure Drop (FOH)	Entering Air Temp (db/wb) F	Total Capacity (MBTUH)	Sensible Capacity (MBTUH)	Heat of Rej. (MB-TUH)	Power Input (kW)	EER	Entering Fluid Temp (F)	Entering Air Temp (F)	Total Capacity (MB-TUH)	Heat of Abs. (MB-TUH)	Power Input (kW)	COP
40	3	3.81	75/63	14.90	11.49	16.77	0.55	27.17	30	60	10.06	7.29	0.81	3.63
			80/67	16.22	12.02	18.10	0.55	29.42		70	9.51	6.69	0.83	3.37
			85/71	17.54	12.48	19.43	0.55	31.64		80	8.86	5.98	0.84	3.07
	4	6.40	75/63	14.99	11.56	16.81	0.53	28.02		60	10.37	7.59	0.82	3.72
			80/67	16.32	12.10	18.15	0.54	30.34		70	9.81	6.97	0.83	3.46
			85/71	17.65	12.56	19.49	0.54	32.64		80	9.14	6.24	0.85	3.15
	6	13.28	75/63	15.17	11.70	16.90	0.51	29.87		60	11.01	8.19	0.83	3.91
			80/67	16.52	12.25	18.26	0.51	32.35		70	10.41	7.54	0.84	3.63
			85/71	17.86	12.71	19.61	0.51	34.80		80	9.70	6.77	0.86	3.31
50	3	3.68	75/63	14.10	10.92	16.19	0.61	22.97	40	60	11.83	8.94	0.85	4.09
			80/67	15.35	11.43	17.45	0.62	24.88		70	11.18	8.24	0.86	3.79
			85/71	16.60	11.86	18.71	0.62	26.76		80	10.42	7.41	0.88	3.46
	4	6.18	75/63	14.18	10.98	16.23	0.60	23.70		60	12.20	9.29	0.85	4.19
			80/67	15.44	11.50	17.50	0.60	25.66		70	11.54	8.57	0.87	3.89
			85/71	16.70	11.94	18.76	0.60	27.61		80	10.75	7.72	0.89	3.55
	6	12.82	75/63	14.36	11.12	16.30	0.57	25.28		60	12.95	10.01	0.86	4.40
			80/67	15.63	11.64	17.58	0.57	27.37		70	12.24	9.25	0.88	4.09
			85/71	16.90	12.08	18.86	0.57	29.44		80	11.41	8.35	0.90	3.72
60	3	3.56	75/63	13.30	10.38	15.62	0.68	19.59	50	60	13.60	10.59	0.88	4.51
			80/67	14.48	10.87	16.81	0.68	21.21		70	12.86	9.79	0.90	4.18
			85/71	15.66	11.28	18.00	0.69	22.81		80	11.98	8.84	0.92	3.81
	4	5.97	75/63	13.38	10.45	15.64	0.66	20.21		60	14.03	11.00	0.89	4.63
			80/67	14.57	10.94	16.84	0.67	21.88		70	13.26	10.17	0.91	4.29
			85/71	15.75	11.35	18.04	0.67	23.54		80	12.36	9.20	0.93	3.91
	6	12.39	75/63	13.54	10.58	15.69	0.63	21.56		60	14.89	11.83	0.90	4.85
			80/67	14.75	11.07	16.90	0.63	23.34		70	14.08	10.95	0.92	4.50
			85/71	15.95	11.49	18.11	0.64	25.11		80	13.12	9.92	0.94	4.11
70	3	3.44	75/63	12.50	9.88	15.04	0.74	16.79	60	60	15.38	12.24	0.92	4.90
			80/67	13.61	10.34	16.16	0.75	18.18		70	14.53	11.33	0.94	4.54
			85/71	14.72	10.74	17.29	0.75	19.56		80	13.54	10.27	0.96	4.14
	4	5.78	75/63	12.58	9.94	15.05	0.73	17.33		60	15.86	12.70	0.93	5.02
			80/67	13.69	10.41	16.18	0.73	18.77		70	14.99	11.78	0.94	4.66
			85/71	14.81	10.81	17.31	0.73	20.19		80	13.97	10.68	0.96	4.25
	6	11.98	75/63	12.73	10.06	15.08	0.69	18.49		60	16.84	13.64	0.94	5.27
			80/67	13.86	10.54	16.22	0.69	20.02		70	15.91	12.66	0.95	4.89
			85/71	14.99	10.94	17.37	0.70	21.54		80	14.83	11.50	0.97	4.46
80	3	3.33	75/63	11.70	9.40	14.46	0.81	14.45	70	60	17.15	13.88	0.96	5.25
			80/67	12.74	9.84	15.52	0.81	15.65		70	16.21	12.88	0.97	4.87
			85/71	13.78	10.22	16.57	0.82	16.83		80	15.10	11.70	1.00	4.44
	4	5.59	75/63	11.77	9.46	14.47	0.79	14.91		60	17.69	14.41	0.96	5.39
			80/67	12.82	9.90	15.53	0.79	16.15		70	16.72	13.38	0.98	5.00
			85/71	13.86	10.28	16.59	0.80	17.37		80	15.58	12.16	1.00	4.56
	6	11.60	75/63	11.92	9.58	14.47	0.75	15.92		60	18.78	15.46	0.97	5.66
			80/67	12.98	10.03	15.54	0.75	17.24		70	17.75	14.37	0.99	5.25
			85/71	14.03	10.41	16.62	0.76	18.54		80	16.54	13.08	1.01	4.78
85	3	3.28	75/63	11.30	9.17	14.18	0.84	13.42	80	60	18.92	15.53	0.99	5.58
			80/67	12.30	9.60	15.20	0.85	14.53		70	17.88	14.43	1.01	5.18
			85/71	13.31	9.97	16.22	0.85	15.63		80	16.66	13.13	1.03	4.72
	4	5.50	75/63	11.37	9.23	14.17	0.82	13.85		60	19.52	16.11	1.00	5.73
			80/67	12.38	9.66	15.20	0.83	15.00		70	18.45	14.98	1.02	5.32
			85/71	13.39	10.03	16.22	0.83	16.13		80	17.19	13.64	1.04	4.84
	6	11.42	75/63	11.51	9.34	14.17	0.78	14.78		60	20.72	17.28	1.01	6.01
			80/67	12.53	9.78	15.21	0.78	16.01		70	19.58	16.07	1.03	5.58
			85/71	13.56	10.15	16.24	0.79	17.22		80	18.25	14.66	1.05	5.08
90	3	3.23	75/63	10.90	8.94	13.89	0.87	12.46	Extended Range - Anti-freeze required	AHRI/ISO1325G-1 certified performance is rated at entering air conditions of 80.6°F DB and 66.2°F WB in cooling and 68°F DB in heating. Tabulated unit performance does not include fan or pump power corrections required for AHRI/ISO standard performance ratings. Unit performance may be interpolated. Extrapolation is not allowed. For conditions other than rating conditions provided, consult the Bosch EAD selection software. Ratings below 40°F are with a methanol solution. Due to variations in installation, actual performance may vary from the tabulated data. Performance contained herein are as a result of extensive testing by Bosch and are not express warranties between the parties and may be changed at any time. Continuous research and development to improve our products may result in a change to the current design and specifications without notice.	BOSCH	AHRI CERTIFIED	UL LISTED	
			80/67	11.87	9.36	14.87	0.88	13.49						
			85/71	12.84	9.72	15.86	0.88	14.51						
	4	5.42	75/63	10.97	8.99	13.88	0.85	12.86						
			80/67	11.94	9.42	14.87	0.86	13.93						
			85/71	12.92	9.78	15.86	0.86	14.98						
	6	11.24	75/63	11.10	9.10	13.86	0.81	13.73						
			80/67	12.09	9.53	14.87	0.81	14.87						
			85/71	13.08	9.90	15.87	0.82	15.99						
100	3	3.13	75/63	10.10	8.48	13.31	0.94	10.74	BOSCH	AHRI CERTIFIED	UL LISTED			
			80/67	11.00	8.88	14.23	0.95	11.64						
			85/71	11.90	9.22	15.14	0.95	12.52						
	4	5.26	75/63	10.16	8.53	13.29	0.92	11.09						
			80/67	11.07	8.93	14.21	0.92	12.01						
			85/71	11.97	9.28	15.14	0.93	12.92						
	6	10.90	75/63	10.29	8.64	13.26	0.87	11.84						
			80/67	11.20	9.04	14.19	0.87	12.82						
			85/71	12.12	9.39	15.12	0.88	13.80						
110	6	10.59	75/63	9.48	8.17	12.65	0.93	10.20	BOSCH	AHRI CERTIFIED	UL LISTED			
			80/67	10.32	8.56	13.51	0.93	11.04						
			85/71	11.16	8.89	14.37	0.94	11.88						

# CAPACITY DATA - BP015

(All Data at 500 CFM)

COOLING									HEATING					
Entering Fluid Temp (F)	Water Flow (GPM)	Pressure Drop (FOH)	Entering Air Temp (db/wb) F	Total Capacity (MBTUH)	Sensible Capacity (MBTUH)	Heat of Rej. (MB-TUH)	Power Input (kW)	EER	Entering Fluid Temp (F)	Entering Air Temp (F)	Total Capacity (MB-TUH)	Heat of Abs. (MB-TUH)	Power Input (kW)	COP
40	3	3.66	75/63	18.63	14.57	20.56	0.56	33.07	30	60	10.97	8.17	0.82	3.92
			80/67	20.28	15.25	22.21	0.57	35.80		70	10.37	7.52	0.84	3.63
			85/71	21.93	15.83	23.87	0.57	38.50		80	9.67	6.75	0.85	3.31
	4	6.14	75/63	18.75	14.66	20.62	0.55	34.13		60	11.32	8.50	0.83	4.02
			80/67	20.41	15.34	22.29	0.55	36.95		70	10.70	7.83	0.84	3.73
			85/71	22.06	15.92	23.96	0.56	39.73		80	9.97	7.04	0.86	3.40
	6	12.74	75/63	18.98	14.83	20.76	0.52	36.42		60	12.02	9.17	0.83	4.22
			80/67	20.65	15.53	22.44	0.52	39.43		70	11.36	8.45	0.85	3.91
			85/71	22.33	16.12	24.13	0.53	42.40		80	10.58	7.61	0.87	3.57
50	3	3.53	75/63	17.64	13.84	19.82	0.64	27.56	40	60	12.78	9.89	0.85	4.43
			80/67	19.19	14.49	21.39	0.64	29.83		70	12.08	9.14	0.86	4.11
			85/71	20.75	15.04	22.96	0.65	32.08		80	11.26	8.25	0.88	3.74
	4	5.93	75/63	17.74	13.93	19.87	0.62	28.44		60	13.19	10.28	0.85	4.54
			80/67	19.31	14.58	21.45	0.63	30.79		70	12.46	9.50	0.87	4.21
			85/71	20.88	15.13	23.03	0.63	33.11		80	11.61	8.59	0.89	3.84
	6	12.31	75/63	17.96	14.10	19.98	0.59	30.36		60	14.00	11.06	0.86	4.76
			80/67	19.55	14.76	21.58	0.59	32.86		70	13.23	10.23	0.88	4.42
			85/71	21.14	15.32	23.18	0.60	35.34		80	12.32	9.26	0.90	4.03
110	6	10.17	75/63	11.86	10.37	15.32	1.01	11.69	100	60	12.65	10.85	1.02	12.65
			80/67	12.91	10.85	16.39	1.02	12.65		70	12.65	10.85	1.02	12.65
			85/71	13.96	11.26	17.46	1.03	13.60		80	12.65	10.85	1.02	12.65

Extended Range - Anti-freeze required

AHRI/ISO1325G-1 certified performance is rated at entering air conditions of 80.6°F DB and 66.2°F WB in cooling and 68°F DB in heating.

Tabulated unit performance does not include fan or pump power corrections required for AHRI/ISO standard performance ratings.

Unit performance may be interpolated. Extrapolation is not allowed.

For conditions other than rating conditions provided, consult the Bosch EAD selection software.

Ratings below 40°F are with a methanol solution.

Due to variations in installation, actual performance may vary from the tabulated data. Performance contained herein are as a result of extensive testing by Bosch and are not express warranties between the parties and may be changed at any time.

Continuous research and development to improve our products may result in a change to the current design and specifications without notice.



# CAPACITY DATA - BP018

(All Data at 600 CFM)

COOLING									HEATING					
Entering Fluid Temp (F)	Water Flow (GPM)	Pressure Drop (FOH)	Entering Air Temp (db/wb) F	Total Capacity (MBTUH)	Sensible Capacity (MBTUH)	Heat of Rej. (MB-TUH)	Power Input (kW)	EER	Entering Fluid Temp (F)	Entering Air Temp (F)	Total Capacity (MB-TUH)	Heat of Abs. (MB-TUH)	Power Input (kW)	COP
40	3	4.59	75/63	22.50	17.15	25.14	0.77	29.06	30	60	14.57	10.81	1.10	3.87
			80/67	24.49	17.95	27.15	0.78	31.46		70	13.77	9.94	1.12	3.59
			85/71	26.48	18.63	29.15	0.78	33.82		80	12.83	8.91	1.15	3.27
	5	11.52	75/63	22.72	17.32	25.26	0.74	30.57		60	15.33	11.53	1.11	4.03
			80/67	24.73	18.13	27.28	0.75	33.08		70	14.49	10.61	1.13	3.74
			85/71	26.74	18.81	29.30	0.75	35.57		80	13.50	9.54	1.16	3.41
	7	21.11	75/63	22.94	17.49	25.38	0.71	32.20		60	16.08	12.25	1.12	4.19
			80/67	24.97	18.30	27.42	0.72	34.85		70	15.20	11.29	1.14	3.89
			85/71	27.00	19.00	29.46	0.72	37.48		80	14.16	10.16	1.17	3.54
50	3	4.43	75/63	21.51	16.46	24.49	0.87	24.68	40	60	16.89	12.98	1.15	4.32
			80/67	23.41	17.23	26.40	0.88	26.71		70	15.97	11.98	1.17	4.01
			85/71	25.31	17.89	28.32	0.88	28.72		80	14.87	10.80	1.19	3.65
	5	11.12	75/63	21.72	16.63	24.58	0.84	25.96		60	17.77	13.82	1.16	4.50
			80/67	23.64	17.40	26.52	0.84	28.10		70	16.79	12.77	1.18	4.17
			85/71	25.56	18.06	28.45	0.85	30.21		80	15.64	11.53	1.21	3.80
	7	20.38	75/63	21.94	16.79	24.67	0.80	27.35		60	18.64	14.66	1.17	4.68
			80/67	23.87	17.57	26.63	0.81	29.61		70	17.62	13.56	1.19	4.34
			85/71	25.81	18.24	28.58	0.81	31.83		80	16.41	12.26	1.22	3.95
60	3	4.29	75/63	20.52	15.84	23.83	0.97	21.18	50	60	19.21	15.15	1.19	4.73
			80/67	22.34	16.58	25.66	0.97	22.92		70	18.16	14.02	1.21	4.39
			85/71	24.15	17.21	27.50	0.98	24.64		80	16.92	12.69	1.24	4.00
	5	10.75	75/63	20.72	15.99	23.90	0.93	22.28		60	20.21	16.11	1.20	4.93
			80/67	22.56	16.74	25.75	0.94	24.11		70	19.10	14.92	1.22	4.58
			85/71	24.39	17.38	27.60	0.94	25.93		80	17.79	13.52	1.25	4.17
	7	19.70	75/63	20.93	16.15	23.97	0.89	23.48		60	21.20	17.07	1.21	5.13
			80/67	22.78	16.90	25.84	0.90	25.41		70	20.04	15.82	1.23	4.76
			85/71	24.63	17.55	27.70	0.90	27.32		80	18.67	14.36	1.26	4.33
70	3	4.14	75/63	19.53	15.26	23.17	1.07	18.31	60	60	21.53	17.33	1.23	5.12
			80/67	21.26	15.97	24.92	1.07	19.82		70	20.35	16.06	1.26	4.75
			85/71	22.99	16.58	26.67	1.08	21.31		80	18.96	14.57	1.28	4.33
	5	10.40	75/63	19.73	15.41	23.22	1.02	19.27		60	22.65	18.40	1.24	5.34
			80/67	21.47	16.13	24.98	1.03	20.86		70	21.40	17.08	1.27	4.95
			85/71	23.21	16.75	26.75	1.04	22.43		80	19.94	15.51	1.30	4.51
	7	19.05	75/63	19.92	15.56	23.27	0.98	20.31		60	23.76	19.48	1.25	5.55
			80/67	21.68	16.29	25.05	0.99	21.98		70	22.45	18.09	1.28	5.15
			85/71	23.44	16.91	26.82	0.99	23.64		80	20.92	16.46	1.31	4.69
80	3	4.01	75/63	18.54	14.73	22.52	1.16	15.93	70	60	23.85	19.50	1.27	5.48
			80/67	20.18	15.42	24.18	1.17	17.24		70	22.54	18.10	1.30	5.08
			85/71	21.82	16.00	25.84	1.18	18.54		80	21.00	16.46	1.33	4.63
	5	10.06	75/63	18.73	14.87	22.54	1.12	16.76		60	25.09	20.70	1.29	5.71
			80/67	20.38	15.57	24.22	1.12	18.14		70	23.71	19.23	1.31	5.30
			85/71	22.04	16.16	25.89	1.13	19.51		80	22.08	17.51	1.34	4.83
	7	18.44	75/63	18.91	15.02	22.56	1.07	17.67		60	26.32	21.89	1.30	5.94
			80/67	20.58	15.72	24.25	1.08	19.12		70	24.87	20.36	1.32	5.51
			85/71	22.25	16.32	25.95	1.08	20.56		80	23.17	18.55	1.35	5.02
85	3	3.95	75/63	18.05	14.47	22.19	1.21	14.88	80	60	26.17	21.67	1.32	5.82
			80/67	19.65	15.15	23.81	1.22	16.11		70	24.73	20.15	1.34	5.40
			85/71	21.24	15.73	25.43	1.23	17.32		80	23.04	18.35	1.37	4.91
	5	9.90	75/63	18.23	14.62	22.20	1.16	15.66		60	27.53	22.99	1.33	6.06
			80/67	19.84	15.30	23.83	1.17	16.95		70	26.01	21.39	1.36	5.62
			85/71	21.45	15.88	25.47	1.18	18.23		80	24.23	19.50	1.39	5.12
	7	18.15	75/63	18.41	14.76	22.21	1.11	16.51		60	28.88	24.30	1.34	6.31
			80/67	20.03	15.45	23.86	1.12	17.87		70	27.29	22.63	1.37	5.85
			85/71	21.66	16.04	25.51	1.13	19.21		80	25.42	20.65	1.40	5.33
90	3	3.89	75/63	17.55	14.23	21.86	1.26	13.92	Extended Range - Anti-freeze required					
			80/67	19.11	14.89	23.44	1.27	15.06						
			85/71	20.66	15.46	25.01	1.28	16.19						
	5	9.75	75/63	17.73	14.37	21.86	1.21	14.64						
			80/67	19.30	15.04	23.45	1.22	15.85						
			85/71	20.86	15.61	25.04	1.22	17.04						
	7	17.87	75/63	17.90	14.51	21.86	1.16	15.44						
			80/67	19.48	15.18	23.46	1.17	16.71						
			85/71	21.07	15.76	25.07	1.17	17.97						
100	3	3.77	75/63	16.56	13.74	21.20	1.36	12.19						
			80/67	18.03	14.39	22.69	1.37	13.19						
			85/71	19.50	14.93	24.19	1.37	14.19						
	5	9.46	75/63	16.73	13.88	21.18	1.30	12.83						
			80/67	18.21	14.53	22.68	1.31	13.89						
			85/71	19.69	15.08	24.19	1.32	14.93						
	7	17.33	75/63	16.89	14.02	21.15	1.25	13.52						
			80/67	18.39	14.67	22.67	1.26	14.64						
			85/71	19.88	15.23	24.19	1.26	15.74						
110	7	16.84	75/63	15.88	13.54	20.45	1.34	11.87						
			80/67	17.29	14.17	21.88	1.35	12.84						
			85/71	18.69	14.71	23.31	1.35	13.81						

Extended Range - Anti-freeze required

AHRI/ISO1325G-1 certified performance is rated at entering air conditions of 80.6°F DB and 66.2°F WB in cooling and 68°F DB in heating.

Tabulated unit performance does not include fan or pump power corrections required for AHRI/ISO standard performance ratings.

Unit performance may be interpolated. Extrapolation is not allowed.

For conditions other than rating conditions provided, consult the Bosch EAD selection software.

Ratings below 40°F are with a methanol solution.

Due to variations in installation, actual performance may vary from the tabulated data. Performance contained herein are as a result of extensive testing by Bosch and are not express warranties between the parties and may be changed at any time.

Continuous research and development to improve our products may result in a change to the current design and specifications without notice.



# CAPACITY DATA - BP/CP024

(All Data at 800 CFM)




COOLING									HEATING							
Entering Fluid Temp (F)	Water Flow (GPM)	Pressure Drop (FOH)	Entering Air Temp (db/wb) F	Total Capacity (MBTUH)	Sensible Capacity (MBTUH)	Heat of Rej. (MB-TUH)	Power Input (kW)	EER	Entering Fluid Temp (F)	Entering Air Temp (F)	Total Capacity (MB-TUH)	Heat of Abs. (MB-TUH)	Power Input (kW)	COP		
40	4	3.70	75/63	29.04	22.97	32.23	0.94	31.01	30	60	17.95	13.48	1.31	4.02		
			80/67	31.61	24.05	34.82	0.94	33.57		70	16.97	12.42	1.33	3.73		
			85/71	34.18	24.96	37.41	0.95	36.10		80	15.82	11.16	1.36	3.40		
	6	7.68	75/63	29.28	23.16	32.37	0.91	32.32		60	18.72	14.21	1.32	4.15		
			80/67	31.87	24.25	34.98	0.91	34.99		70	17.69	13.10	1.34	3.86		
			85/71	34.46	25.17	37.58	0.92	37.63		80	16.49	11.80	1.37	3.51		
	8	12.89	75/63	29.51	23.35	32.50	0.88	33.72		60	19.48	14.94	1.33	4.29		
			80/67	32.13	24.44	35.13	0.88	36.51		70	18.41	13.79	1.35	3.98		
			85/71	34.74	25.37	37.76	0.88	39.27		80	17.16	12.43	1.38	3.63		
50	4	3.57	75/63	27.54	21.88	31.08	1.04	26.58	40	60	20.78	16.17	1.35	4.51		
			80/67	29.98	22.91	33.54	1.04	28.77		70	19.64	14.94	1.38	4.18		
			85/71	32.42	23.78	36.00	1.05	30.95		80	18.30	13.50	1.41	3.81		
	6	7.42	75/63	27.77	22.06	31.19	1.00	27.71		60	21.66	17.02	1.36	4.67		
			80/67	30.23	23.10	33.67	1.01	30.00		70	20.47	15.74	1.39	4.33		
			85/71	32.69	23.98	36.15	1.01	32.26		80	19.08	14.24	1.42	3.95		
	8	12.45	75/63	28.00	22.24	31.30	0.97	28.92		60	22.55	17.87	1.37	4.82		
			80/67	30.48	23.28	33.80	0.97	31.31		70	21.31	16.55	1.40	4.47		
			85/71	32.96	24.17	36.30	0.98	33.67		80	19.86	14.99	1.43	4.08		
60	4	3.45	75/63	26.05	20.87	29.93	1.14	22.93	50	60	23.60	18.85	1.39	4.97		
			80/67	28.36	21.85	32.26	1.14	24.82		70	22.30	17.47	1.42	4.62		
			85/71	30.67	22.68	34.59	1.15	26.70		80	20.78	15.84	1.45	4.21		
	6	7.17	75/63	26.27	21.04	30.02	1.10	23.91		60	24.61	19.83	1.40	5.15		
			80/67	28.59	22.03	32.36	1.10	25.88		70	23.26	18.39	1.43	4.78		
			85/71	30.92	22.87	34.71	1.11	27.84		80	21.67	16.69	1.46	4.35		
	8	12.03	75/63	26.48	21.22	30.10	1.06	24.96		60	25.61	20.80	1.41	5.32		
			80/67	28.83	22.21	32.47	1.07	27.02		70	24.21	19.30	1.44	4.93		
			85/71	31.17	23.05	34.83	1.07	29.06		80	22.56	17.54	1.47	4.50		
70	4	3.34	75/63	24.56	19.92	28.78	1.24	19.87	60	60	26.42	21.54	1.43	5.41		
			80/67	26.74	20.85	30.98	1.24	21.51		70	24.97	20.00	1.46	5.02		
			85/71	28.91	21.65	33.18	1.25	23.14		80	23.27	18.18	1.49	4.58		
	6	6.93	75/63	24.76	20.09	28.84	1.20	20.72		60	27.55	22.63	1.44	5.60		
			80/67	26.96	21.03	31.06	1.20	22.43		70	26.04	21.03	1.47	5.20		
			85/71	29.15	21.83	33.27	1.21	24.13		80	24.26	19.14	1.50	4.74		
	8	11.63	75/63	24.96	20.25	28.90	1.15	21.63		60	28.68	23.72	1.45	5.79		
			80/67	27.18	21.20	31.14	1.16	23.42		70	27.10	22.06	1.48	5.37		
			85/71	29.39	22.01	33.37	1.17	25.19		80	25.25	20.09	1.51	4.89		
80	4	3.23	75/63	23.07	19.02	27.63	1.34	17.27	70	60	29.25	24.23	1.47	5.83		
			80/67	25.11	19.91	29.70	1.34	18.69		70	27.64	22.53	1.50	5.41		
			85/71	27.16	20.67	31.77	1.35	20.11		80	25.75	20.53	1.53	4.93		
	6	6.71	75/63	23.26	19.18	27.67	1.29	18.01		60	30.50	25.44	1.48	6.03		
			80/67	25.32	20.07	29.75	1.30	19.50		70	28.82	23.67	1.51	5.60		
			85/71	27.38	20.84	31.84	1.31	20.97		80	26.85	21.59	1.54	5.10		
	8	11.26	75/63	23.45	19.33	27.70	1.25	18.80		60	31.74	26.65	1.49	6.23		
			80/67	25.53	20.24	29.81	1.25	20.36		70	30.00	24.81	1.52	5.78		
			85/71	27.60	21.01	31.91	1.26	21.89		80	27.95	22.65	1.55	5.27		
85	4	3.18	75/63	22.32	18.58	27.05	1.39	16.11	80	60	32.07	26.91	1.51	6.22		
			80/67	24.30	19.45	29.06	1.39	17.44		70	30.31	25.06	1.54	5.77		
			85/71	26.28	20.19	31.06	1.40	18.75		80	28.24	22.87	1.57	5.26		
	6	6.60	75/63	22.50	18.74	27.08	1.34	16.80		60	33.44	28.25	1.52	6.44		
			80/67	24.50	19.61	29.10	1.35	18.19		70	31.60	26.31	1.55	5.97		
			85/71	26.50	20.36	31.12	1.35	19.56		80	29.44	24.03	1.59	5.44		
	8	11.08	75/63	22.69	18.89	27.10	1.29	17.54		60	34.81	29.58	1.53	6.65		
			80/67	24.70	19.77	29.14	1.30	18.99		70	32.90	27.57	1.56	6.17		
			85/71	26.71	20.53	31.18	1.31	20.43		80	30.65	25.20	1.60	5.62		
90	4	3.13	75/63	21.57	18.15	26.48	1.44	15.03	Extended Range - Anti-freeze required	AHRI/ISO1325G-1 certified performance is rated at entering air conditions of 80.6°F DB and 66.2°F WB in cooling and 68°F DB in heating. Tabulated unit performance does not include fan or pump power corrections required for AHRI/ISO standard performance ratings. Unit performance may be interpolated. Extrapolation is not allowed. For conditions other than rating conditions provided, consult the Bosch EAD selection software. Ratings below 40°F are with a methanol solution. Due to variations in installation, actual performance may vary from the tabulated data. Performance contained herein are as a result of extensive testing by Bosch and are not express warranties between the parties and may be changed at any time. Continuous research and development to improve our products may result in a change to the current design and specifications without notice.	90	60	35.00	30.00	1.50	6.80
			80/67	23.49	19.00	28.42	1.44	16.27				70	33.00	28.00	1.53	6.30
			85/71	25.40	19.73	30.36	1.45	17.50				80	31.00	26.00	1.56	5.80
	6	6.50	75/63	21.75	18.30	26.49	1.39	15.67				60	37.00	32.00	1.48	7.20
			80/67	23.68	19.16	28.45	1.40	16.97				70	35.00	30.00	1.51	6.70
			85/71	25.61	19.89	30.40	1.40	18.25				80	33.00	28.00	1.54	6.20
	8	10.91	75/63	21.93	18.45	26.50	1.34	16.37				60	39.00	34.00	1.42	7.60
			80/67	23.88	19.31	28.47	1.35	17.72				70	37.00	32.00	1.45	7.10
			85/71	25.82	20.05	30.44	1.35	19.06				80	35.00	30.00	1.48	6.60
100	4	3.04	75/63	20.08	17.30	25.32	1.54	13.08	100	60	40.00	35.00	1.35	8.00		
			80/67	21.86	18.11	27.14	1.54	14.16		70	38.00	33.00	1.38	7.50		
			85/71	23.65	18.80	28.95	1.55	15.23		80	36.00	31.00	1.41	7.00		
	6	6.31	75/63	20.25	17.44	25.31	1.48	13.64		60	42.00	37.00	1.28	8.40		
			80/67	22.04	18.26	27.14	1.49	14.77		70	40.00	35.00	1.31	7.90		
			85/71	23.84	18.96	28.96	1.50	15.89		80	38.00	33.00	1.34	7.40		
	8	10.58	75/63	20.41	17.58	25.30	1.43	14.25		60	44.00	39.00	1.22	8.80		
			80/67	22.22	18.41	27.14	1.44	15.42		70	42.00	37.00	1.25	8.30		
			85/71	24.04	19.11	28.98	1.45	16.59		80	40.00	35.00	1.28	7.80		
110	8	10.28	75/63	18.90	16.72	24.10	1.53	12.38	110	60	46.00	41.00	1.15	9.20		
			80/67	20.57	17.51	25.81	1.53	13.41		70	44.00	39.00	1.18	8.70		
			85/71	22.25	18.17	27.52	1.54	14.42		80	42.00	37.00	1.21	8.20		








# CAPACITY DATA - BP/CP030

(All Data at 1000 CFM)

COOLING									HEATING					
Entering Fluid Temp (F)	Water Flow (GPM)	Pressure Drop (FOH)	Entering Air Temp (db/wb) F	Total Capacity (MBTUH)	Sensible Capacity (MBTUH)	Heat of Rej. (MBTUH)	Power Input (kW)	EER	Entering Fluid Temp (F)	Entering Air Temp (F)	Total Capacity (MBTUH)	Heat of Abs. (MBTUH)	Power Input (kW)	COP
40	4	1.31	75/63	31.14	24.91	35.04	1.14	27.27	30	60	20.46	15.49	1.46	4.11
			80/67	33.92	26.08	37.84	1.15	29.55		70	19.35	14.29	1.48	3.82
			85/71	36.69	27.08	40.63	1.15	31.80		80	18.05	12.88	1.52	3.49
	7	3.58	75/63	31.47	25.17	35.22	1.10	28.70		60	21.59	16.56	1.47	4.30
			80/67	34.28	26.36	38.04	1.10	31.10		70	20.42	15.30	1.50	3.99
			85/71	37.08	27.37	40.86	1.11	33.47		80	19.04	13.82	1.53	3.64
	12	9.45	75/63	32.03	25.62	35.51	1.02	31.37		60	23.46	18.36	1.49	4.60
			80/67	34.88	26.82	38.38	1.03	33.99		70	22.18	16.99	1.52	4.27
			85/71	37.73	27.85	41.25	1.03	36.58		80	20.69	15.38	1.55	3.90
50	4	1.26	75/63	29.66	23.82	34.05	1.29	23.05	40	60	23.24	18.13	1.50	4.55
			80/67	32.30	24.94	36.72	1.29	24.98		70	21.98	16.77	1.52	4.22
			85/71	34.95	25.90	39.38	1.30	26.88		80	20.49	15.18	1.56	3.86
	7	3.46	75/63	29.97	24.07	34.19	1.23	24.27		60	24.52	19.36	1.51	4.75
			80/67	32.65	25.21	36.88	1.24	26.30		70	23.18	17.93	1.54	4.42
			85/71	35.32	26.17	39.58	1.25	28.31		80	21.62	16.25	1.57	4.03
	12	9.13	75/63	30.50	24.50	34.42	1.15	26.55		60	26.65	21.41	1.53	5.09
			80/67	33.22	25.65	37.16	1.15	28.77		70	25.20	19.87	1.56	4.73
			85/71	35.94	26.63	39.90	1.16	30.97		80	23.49	18.05	1.60	4.31
60	4	1.22	75/63	28.17	22.81	33.06	1.43	19.69	50	60	26.01	20.77	1.54	4.96
			80/67	30.69	23.89	35.60	1.44	21.33		70	24.60	19.26	1.56	4.61
			85/71	33.20	24.81	38.13	1.45	22.96		80	22.93	17.48	1.60	4.21
	7	3.34	75/63	28.47	23.06	33.16	1.37	20.74		60	27.45	22.15	1.55	5.19
			80/67	31.01	24.14	35.72	1.38	22.47		70	25.95	20.56	1.58	4.82
			85/71	33.55	25.07	38.29	1.39	24.18		80	24.20	18.69	1.61	4.40
	12	8.82	75/63	28.97	23.46	33.33	1.28	22.70		60	29.84	24.46	1.57	5.55
			80/67	31.56	24.57	35.94	1.28	24.60		70	28.21	22.74	1.60	5.16
			85/71	34.14	25.51	38.54	1.29	26.48		80	26.30	20.71	1.64	4.70
70	4	1.18	75/63	26.69	21.88	32.06	1.58	16.94	60	60	28.79	23.41	1.58	5.35
			80/67	29.07	22.91	34.48	1.58	18.35		70	27.22	21.75	1.60	4.97
			85/71	31.45	23.80	36.89	1.59	19.75		80	25.38	19.78	1.64	4.54
	7	3.23	75/63	26.97	22.12	32.13	1.51	17.85		60	30.38	24.95	1.59	5.60
			80/67	29.38	23.16	34.56	1.52	19.34		70	28.72	23.20	1.62	5.20
			85/71	31.79	24.05	37.00	1.53	20.81		80	26.77	21.13	1.65	4.74
	12	8.53	75/63	27.45	22.51	32.24	1.40	19.55		60	33.03	27.51	1.61	5.99
			80/67	29.90	23.57	34.71	1.41	21.19		70	31.22	25.61	1.64	5.57
			85/71	32.35	24.47	37.19	1.42	22.80		80	29.10	23.37	1.68	5.08
80	4	1.14	75/63	25.20	21.01	31.07	1.72	14.65	70	60	31.56	26.05	1.61	5.73
			80/67	27.45	22.00	33.36	1.73	15.88		70	29.84	24.23	1.64	5.32
			85/71	29.71	22.84	35.64	1.74	17.09		80	27.82	22.09	1.68	4.85
	7	3.13	75/63	25.47	21.23	31.10	1.65	15.44		60	33.31	27.75	1.63	5.99
			80/67	27.75	22.23	33.41	1.66	16.73		70	31.49	25.83	1.66	5.56
			85/71	30.02	23.09	35.71	1.67	18.01		80	29.35	23.57	1.69	5.07
	12	8.26	75/63	25.92	21.61	31.15	1.53	16.93		60	36.21	30.57	1.65	6.41
			80/67	28.23	22.63	33.49	1.54	18.34		70	34.24	28.49	1.68	5.95
			85/71	30.55	23.50	35.83	1.55	19.74		80	31.91	26.04	1.72	5.43
85	4	1.13	75/63	24.46	20.59	30.58	1.79	13.65	80	60	34.34	28.70	1.65	6.08
			80/67	26.65	21.56	32.80	1.80	14.79		70	32.46	26.72	1.68	5.65
			85/71	28.83	22.39	35.01	1.81	15.91		80	30.26	24.39	1.72	5.16
	7	3.08	75/63	24.72	20.81	30.58	1.72	14.39		60	36.24	30.54	1.67	6.36
			80/67	26.93	21.79	32.83	1.73	15.59		70	34.26	28.46	1.70	5.91
			85/71	29.14	22.63	35.07	1.74	16.78		80	31.93	26.01	1.74	5.39
	12	8.13	75/63	25.16	21.17	30.60	1.60	15.77		60	39.40	33.62	1.70	6.81
			80/67	27.40	22.17	32.88	1.60	17.09		70	37.25	31.36	1.73	6.32
			85/71	29.65	23.03	35.15	1.61	18.39		80	34.72	28.70	1.76	5.77
90	4	1.11	75/63	23.72	20.17	30.08	1.86	12.72	Extended Range - Anti-freeze required	AHRI/ISO1325G-1 certified performance is rated at entering air conditions of 80.6°F DB and 66.2°F WB in cooling and 68°F DB in heating. Tabulated unit performance does not include fan or pump power corrections required for AHRI/ISO standard performance ratings. Unit performance may be interpolated. Extrapolation is not allowed. For conditions other than rating conditions provided, consult the Bosch EAD selection software. Ratings below 40°F are with a methanol solution. Due to variations in installation, actual performance may vary from the tabulated data. Performance contained herein are as a result of extensive testing by Bosch and are not express warranties between the parties and may be changed at any time. Continuous research and development to improve our products may result in a change to the current design and specifications without notice.	  			
			80/67	25.84	21.12	32.24	1.87	13.78						
			85/71	27.96	21.94	34.39	1.88	14.83						
	7	3.03	75/63	23.97	20.39	30.07	1.79	13.41						
			80/67	26.11	21.35	32.25	1.80	14.53						
			85/71	28.26	22.17	34.42	1.81	15.64						
	12	8.00	75/63	24.39	20.75	30.05	1.66	14.70						
			80/67	26.57	21.73	32.26	1.67	15.93						
			85/71	28.75	22.57	34.48	1.68	17.15						
100	4	1.07	75/63	22.23	19.36	29.09	2.01	11.06						
			80/67	24.22	20.28	31.12	2.02	11.99						
			85/71	26.21	21.06	33.14	2.03	12.91						
	7	2.94	75/63	22.47	19.57	29.04	1.93	11.67						
			80/67	24.48	20.50	31.09	1.94	12.64						
			85/71	26.49	21.29	33.13	1.95	13.61						
	12	7.76	75/63	22.87	19.92	28.96	1.79	12.80						
			80/67	24.91	20.86	31.04	1.80	13.87						
			85/71	26.96	21.66	33.12	1.81	14.93						
110	12	7.54	75/63	21.34	19.10	27.87	1.91	11.15						
			80/67	23.25	20.00	29.82	1.92	12.08						
			85/71	25.16	20.77	31.76	1.93	13.01						




# CAPACITY DATA - BP/CP036

(All Data at 1200 CFM)

COOLING									HEATING					
Entering Fluid Temp (F)	Water Flow (GPM)	Pressure Drop (FOH)	Entering Air Temp (db/wb) F	Total Capacity (MBTUH)	Sensible Capacity (MBTUH)	Heat of Rej. (MBTUH)	Power Input (kW)	EER	Entering Fluid Temp (F)	Entering Air Temp (F)	Total Capacity (MBTUH)	Heat of Abs. (MBTUH)	Power Input (kW)	COP
40	7	4.71	75/63	39.43	31.12	44.42	1.46	27.00	30	60	28.58	21.46	2.09	4.01
			80/67	42.96	32.59	47.97	1.47	29.26		70	27.04	19.79	2.12	3.73
			85/71	46.48	33.85	51.52	1.48	31.51		80	25.22	17.83	2.17	3.41
	10	8.96	75/63	39.73	31.35	44.58	1.42	27.96		60	29.66	22.49	2.10	4.14
			80/67	43.28	32.83	48.15	1.43	30.31		70	28.06	20.76	2.14	3.85
			85/71	46.83	34.10	51.73	1.43	32.63		80	26.17	18.72	2.18	3.51
	13	14.37	75/63	40.02	31.59	44.73	1.38	28.98		60	30.74	23.53	2.11	4.26
			80/67	43.60	33.08	48.34	1.39	31.42		70	29.07	21.74	2.15	3.96
			85/71	47.18	34.35	51.94	1.39	33.83		80	27.12	19.62	2.20	3.62
50	7	4.55	75/63	37.96	30.08	43.61	1.66	22.90	40	60	32.06	24.81	2.13	4.42
			80/67	41.35	31.50	47.04	1.67	24.82		70	30.33	22.94	2.16	4.11
			85/71	44.75	32.72	50.46	1.67	26.72		80	28.28	20.75	2.21	3.75
	10	8.65	75/63	38.24	30.30	43.74	1.61	23.73		60	33.27	25.97	2.14	4.56
			80/67	41.66	31.74	47.19	1.62	25.72		70	31.47	24.04	2.18	4.24
			85/71	45.08	32.96	50.64	1.63	27.69		80	29.35	21.76	2.22	3.87
	13	13.87	75/63	38.52	30.53	43.87	1.57	24.61		60	34.48	27.14	2.15	4.69
			80/67	41.97	31.97	47.34	1.57	26.67		70	32.61	25.14	2.19	4.36
			85/71	45.41	33.21	50.81	1.58	28.72		80	30.42	22.78	2.24	3.98
60	7	4.40	75/63	36.48	29.15	42.81	1.85	19.67	50	60	35.54	28.15	2.16	4.81
			80/67	39.74	30.53	46.11	1.86	21.32		70	33.61	26.10	2.20	4.47
			85/71	43.01	31.71	49.41	1.87	22.95		80	31.35	23.67	2.25	4.08
	10	8.36	75/63	36.75	29.37	42.90	1.80	20.39		60	36.89	29.45	2.18	4.96
			80/67	40.04	30.76	46.22	1.81	22.10		70	34.88	27.32	2.22	4.61
			85/71	43.33	31.95	49.55	1.82	23.79		80	32.53	24.80	2.26	4.21
	13	13.41	75/63	37.02	29.59	43.00	1.75	21.15		60	38.23	30.75	2.19	5.11
			80/67	40.34	30.99	46.34	1.76	22.93		70	36.15	28.54	2.23	4.75
			85/71	43.65	32.18	49.69	1.77	24.69		80	33.71	25.94	2.28	4.34
70	7	4.25	75/63	35.00	28.32	42.00	2.05	17.06	60	60	39.02	31.50	2.20	5.19
			80/67	38.14	29.66	45.18	2.06	18.49		70	36.90	29.25	2.24	4.82
			85/71	41.27	30.81	48.35	2.07	19.91		80	34.41	26.59	2.29	4.40
	10	8.09	75/63	35.26	28.53	42.07	1.99	17.69		60	40.50	32.93	2.22	5.35
			80/67	38.42	29.89	45.26	2.00	19.18		70	38.30	30.59	2.26	4.97
			85/71	41.58	31.04	48.45	2.01	20.64		80	35.71	27.84	2.31	4.54
	13	12.97	75/63	35.52	28.75	42.13	1.93	18.36		60	41.98	34.36	2.23	5.51
			80/67	38.71	30.11	45.34	1.94	19.90		70	39.69	31.94	2.27	5.12
			85/71	41.89	31.27	48.56	1.96	21.43		80	37.01	29.09	2.32	4.67
80	7	4.12	75/63	33.52	27.58	41.20	2.25	14.91	70	60	42.50	34.85	2.24	5.55
			80/67	36.53	28.88	44.25	2.26	16.16		70	40.19	32.40	2.28	5.16
			85/71	39.54	30.00	47.29	2.27	17.40		80	37.47	29.51	2.33	4.71
	10	7.83	75/63	33.78	27.78	41.23	2.18	15.46		60	44.11	36.41	2.26	5.73
			80/67	36.80	29.10	44.30	2.20	16.76		70	41.71	33.87	2.30	5.32
			85/71	39.83	30.23	47.36	2.21	18.05		80	38.89	30.88	2.35	4.86
	13	12.55	75/63	34.03	27.99	41.26	2.12	16.05		60	45.72	37.97	2.27	5.90
			80/67	37.08	29.32	44.35	2.13	17.40		70	43.23	35.34	2.31	5.48
			85/71	40.12	30.45	47.43	2.14	18.73		80	40.31	32.25	2.36	5.00
85	7	4.05	75/63	32.79	27.23	40.80	2.35	13.97	80	60	45.98	38.19	2.28	5.90
			80/67	35.73	28.52	43.78	2.36	15.14		70	43.47	35.55	2.32	5.49
			85/71	38.67	29.63	46.76	2.37	16.30		80	40.53	32.43	2.37	5.01
	10	7.70	75/63	33.03	27.44	40.81	2.28	14.49		60	47.72	39.89	2.30	6.09
			80/67	35.99	28.74	43.81	2.29	15.71		70	45.12	37.15	2.34	5.66
			85/71	38.95	29.85	46.82	2.30	16.91		80	42.07	33.92	2.39	5.16
	13	12.35	75/63	33.28	27.64	40.83	2.21	15.04		60	49.47	41.58	2.31	6.27
			80/67	36.26	28.95	43.85	2.22	16.31		70	46.77	38.74	2.35	5.83
			85/71	39.24	30.07	46.87	2.24	17.56		80	43.60	35.40	2.40	5.32
90	7	3.99	75/63	32.05	26.90	40.39	2.45	13.10	<div style="background-color: #cccccc; width: 20px; height: 10px; display: inline-block; margin-right: 5px;"></div> Extended Range - Anti-freeze required AHRI/ISO1325G-1 certified performance is rated at entering air conditions of 80.6°F DB and 66.2°F WB in cooling and 68°F DB in heating. Tabulated unit performance does not include fan or pump power corrections required for AHRI/ISO standard performance ratings. Unit performance may be interpolated. Extrapolation is not allowed. For conditions other than rating conditions provided, consult the Bosch EAD selection software. Ratings below 40°F are with a methanol solution. Due to variations in installation, actual performance may vary from the tabulated data. Performance contained herein are as a result of extensive testing by Bosch and are not express warranties between the parties and may be changed at any time. Continuous research and development to improve our products may result in a change to the current design and specifications without notice.					
			80/67	34.92	28.18	43.31	2.46	14.20						
			85/71	37.80	29.27	46.23	2.47	15.29						
	10	7.58	75/63	32.29	27.11	40.39	2.38	13.59						
			80/67	35.18	28.39	43.33	2.39	14.74						
			85/71	38.08	29.49	46.27	2.40	15.87						
13	12.16	75/63	32.53	27.31	40.39	2.30	14.12							
		80/67	35.44	28.60	43.35	2.32	15.30							
		85/71	38.36	29.71	46.31	2.33	16.47							
100	7	3.87	75/63	30.57	26.28	39.59	2.64	11.57	  					
			80/67	33.32	27.53	42.38	2.66	12.54						
			85/71	36.06	28.60	45.18	2.67	13.50						
	10	7.36	75/63	30.80	26.48	39.56	2.57	12.00						
			80/67	33.56	27.74	42.37	2.58	13.01						
			85/71	36.33	28.81	45.18	2.59	14.01						
	13	11.80	75/63	31.03	26.68	39.52	2.49	12.47						
			80/67	33.81	27.94	42.35	2.50	13.51						
			85/71	36.60	29.03	45.18	2.52	14.55						
110	13	11.46	75/63	29.53	26.09	38.65	2.67	11.04						
			80/67	32.18	27.33	41.36	2.69	11.97						
			85/71	34.84	28.39	44.06	2.70	12.89						

# CAPACITY DATA - BP/CP042

(All Data at 1400 CFM)

COOLING									HEATING					
Entering Fluid Temp (F)	Water Flow (GPM)	Pressure Drop (FOH)	Entering Air Temp (db/wb) F	Total Capacity (MBTUH)	Sensible Capacity (MBTUH)	Heat of Rej. (MBTUH)	Power Input (kW)	EER	Entering Fluid Temp (F)	Entering Air Temp (F)	Total Capacity (MBTUH)	Heat of Abs. (MBTUH)	Power Input (kW)	COP
40	7	2.84	75/63	43.14	34.08	47.59	1.30	33.08	30	60	27.22	20.38	2.00	3.98
			80/67	46.98	35.68	51.46	1.31	35.84		70	25.75	18.79	2.04	3.70
			85/71	50.83	37.05	55.32	1.32	38.58		80	24.01	16.90	2.08	3.38
	10.5	5.89	75/63	43.50	34.36	47.81	1.26	34.40		60	28.37	21.48	2.02	4.12
			80/67	47.37	35.98	51.71	1.27	37.28		70	26.83	19.82	2.05	3.83
			85/71	51.25	37.36	55.60	1.28	40.13		80	25.02	17.86	2.10	3.49
	14	9.88	75/63	43.86	34.65	48.03	1.22	35.82		60	29.52	22.58	2.03	4.26
			80/67	47.76	36.27	51.96	1.23	38.81		70	27.92	20.85	2.07	3.95
			85/71	51.67	37.67	55.89	1.24	41.77		80	26.03	18.82	2.11	3.61
50	7	2.74	75/63	41.71	33.09	47.03	1.56	26.74	40	60	31.25	24.17	2.07	4.42
			80/67	45.43	34.64	50.78	1.57	28.98		70	29.55	22.35	2.11	4.10
			85/71	49.14	35.97	54.52	1.58	31.19		80	27.56	20.20	2.16	3.75
	10.5	5.68	75/63	42.06	33.36	47.21	1.51	27.84		60	32.57	25.44	2.09	4.57
			80/67	45.80	34.93	50.98	1.52	30.16		70	30.80	23.54	2.13	4.25
			85/71	49.55	36.27	54.76	1.53	32.46		80	28.72	21.31	2.17	3.88
	14	9.54	75/63	42.40	33.64	47.39	1.46	29.00		60	33.89	26.71	2.10	4.72
			80/67	46.18	35.22	51.19	1.47	31.42		70	32.05	24.74	2.14	4.39
			85/71	49.95	36.57	55.00	1.48	33.82		80	29.88	22.42	2.19	4.00
60	7	2.65	75/63	40.28	32.22	46.47	1.81	22.19	50	60	35.27	27.96	2.14	4.82
			80/67	43.87	33.74	50.10	1.82	24.04		70	33.35	25.91	2.18	4.48
			85/71	47.46	35.03	53.72	1.83	25.88		80	31.10	23.49	2.23	4.09
	10.5	5.49	75/63	40.61	32.49	46.61	1.76	23.11		60	36.77	29.40	2.16	4.99
			80/67	44.23	34.02	50.26	1.77	25.04		70	34.77	27.27	2.20	4.64
			85/71	47.85	35.32	53.91	1.78	26.95		80	32.41	24.75	2.24	4.23
	14	9.22	75/63	40.94	32.75	46.75	1.70	24.09		60	38.26	30.84	2.17	5.16
			80/67	44.59	34.30	50.42	1.71	26.10		70	36.18	28.63	2.21	4.79
			85/71	48.24	35.61	54.10	1.72	28.09		80	33.73	26.01	2.26	4.37
70	7	2.56	75/63	38.85	31.47	45.91	2.07	18.76	60	60	39.30	31.75	2.21	5.21
			80/67	42.31	32.95	49.41	2.08	20.33		70	37.16	29.47	2.25	4.84
			85/71	45.77	34.21	52.92	2.09	21.88		80	34.64	26.79	2.30	4.41
	10.5	5.31	75/63	39.17	31.73	46.01	2.00	19.55		60	40.97	33.36	2.23	5.39
			80/67	42.66	33.22	49.54	2.01	21.18		70	38.73	30.99	2.27	5.00
			85/71	46.15	34.50	53.06	2.03	22.79		80	36.11	28.20	2.32	4.57
	14	8.92	75/63	39.49	31.99	46.10	1.94	20.38		60	42.63	34.98	2.24	5.57
			80/67	43.01	33.49	49.66	1.95	22.08		70	40.31	32.51	2.28	5.17
			85/71	46.53	34.78	53.21	1.96	23.76		80	37.57	29.61	2.33	4.72
80	7	2.48	75/63	37.41	30.81	45.35	2.33	16.09	70	60	43.33	35.54	2.28	5.57
			80/67	40.75	32.26	48.73	2.34	17.43		70	40.96	33.04	2.32	5.17
			85/71	44.09	33.50	52.11	2.35	18.76		80	38.18	30.09	2.37	4.72
	10.5	5.14	75/63	37.72	31.06	45.40	2.25	16.76		60	45.17	37.33	2.30	5.76
			80/67	41.09	32.53	48.81	2.26	18.16		70	42.70	34.72	2.34	5.35
			85/71	44.45	33.78	52.22	2.27	19.54		80	39.80	31.65	2.39	4.88
	14	8.63	75/63	38.03	31.32	45.46	2.18	17.49		60	47.01	39.11	2.31	5.95
			80/67	41.43	32.80	48.89	2.19	18.94		70	44.44	36.40	2.36	5.53
			85/71	44.82	34.06	52.32	2.20	20.39		80	41.42	33.20	2.41	5.04
85	7	2.44	75/63	36.70	30.51	45.07	2.45	14.96	80	60	47.35	39.33	2.35	5.90
			80/67	39.97	31.95	48.39	2.47	16.21		70	44.77	36.60	2.39	5.48
			85/71	43.25	33.18	51.71	2.48	17.44		80	41.73	33.38	2.45	5.00
	10.5	5.06	75/63	37.00	30.77	45.10	2.37	15.59		60	49.37	41.29	2.37	6.11
			80/67	40.30	32.22	48.45	2.39	16.89		70	46.67	38.44	2.41	5.67
			85/71	43.61	33.46	51.79	2.40	18.18		80	43.50	35.09	2.46	5.17
	14	8.50	75/63	37.31	31.02	45.14	2.29	16.26		60	51.38	43.24	2.38	6.31
			80/67	40.63	32.48	48.51	2.31	17.62		70	48.57	40.28	2.43	5.86
			85/71	43.96	33.73	51.88	2.32	18.96		80	45.27	36.80	2.48	5.35
90	7	2.40	75/63	35.98	30.24	44.79	2.58	13.94	Extended Range - Anti-freeze required	AHRI/ISO1325G-1 certified performance is rated at entering air conditions of 80.6°F DB and 66.2°F WB in cooling and 68°F DB in heating. Tabulated unit performance does not include fan or pump power corrections required for AHRI/ISO standard performance ratings. Unit performance may be interpolated. Extrapolation is not allowed. For conditions other than rating conditions provided, consult the Bosch EAD selection software. Ratings below 40°F are with a methanol solution. Due to variations in installation, actual performance may vary from the tabulated data. Performance contained herein are as a result of extensive testing by Bosch and are not express warranties between the parties and may be changed at any time. Continuous research and development to improve our products may result in a change to the current design and specifications without notice.	  			
			80/67	39.19	31.66	48.05	2.59	15.10						
			85/71	42.41	32.88	51.31	2.61	16.25						
	10.5	4.98	75/63	36.28	30.49	44.80	2.50	14.53						
			80/67	39.52	31.92	48.09	2.51	15.74						
			85/71	42.76	33.15	51.37	2.52	16.94						
	14	8.36	75/63	36.58	30.74	44.81	2.41	15.16						
			80/67	39.84	32.19	48.12	2.43	16.42						
			85/71	43.11	33.42	51.43	2.44	17.68						
100	7	2.33	75/63	34.55	29.73	44.23	2.84	12.18						
			80/67	37.64	31.13	47.37	2.85	13.20						
			85/71	40.72	32.33	50.51	2.87	14.20						
	10.5	4.83	75/63	34.84	29.98	44.20	2.74	12.70						
			80/67	37.95	31.39	47.36	2.76	13.76						
			85/71	41.06	32.60	50.52	2.77	14.81						
	14	8.11	75/63	35.12	30.23	44.17	2.65	13.25						
			80/67	38.26	31.65	47.35	2.66	14.36						
			85/71	41.40	32.87	50.54	2.68	15.45						
110	14	7.88	75/63	33.67	29.77	43.53	2.89	11.66						
			80/67	36.68	31.17	46.59	2.90	12.63						
			85/71	39.68	32.37	49.65	2.92	13.59						

# CAPACITY DATA - BP/CP048

(All Data at 1600 CFM)

COOLING									HEATING					
Entering Fluid Temp (F)	Water Flow (GPM)	Pressure Drop (FOH)	Entering Air Temp (db/wb) F	Total Capacity (MBTUH)	Sensible Capacity (MBTUH)	Heat of Rej. (MB-TUH)	Power Input (kW)	EER	Entering Fluid Temp (F)	Entering Air Temp (F)	Total Capacity (MB-TUH)	Heat of Abs. (MB-TUH)	Power Input (kW)	COP
40	8	6.17	75/63	53.25	42.03	59.96	1.96	27.10	30	60	33.67	24.23	2.77	3.57
			80/67	58.01	44.01	64.75	1.97	29.38		70	31.85	22.24	2.81	3.32
			85/71	62.77	45.71	69.54	1.98	31.63		80	29.72	19.91	2.87	3.03
	12	12.80	75/63	53.69	42.38	60.19	1.91	28.18		60	35.08	25.57	2.79	3.69
			80/67	58.49	44.38	65.02	1.91	30.55		70	33.18	23.51	2.83	3.43
			85/71	63.29	46.09	69.85	1.92	32.89		80	30.96	21.08	2.90	3.13
	15	19.12	75/63	54.02	42.64	60.37	1.86	29.04		60	36.14	26.58	2.80	3.78
			80/67	58.85	44.65	65.23	1.87	31.48		70	34.18	24.46	2.85	3.51
			85/71	63.68	46.37	70.09	1.88	33.89		80	31.89	21.96	2.91	3.21
50	8	5.96	75/63	50.99	40.41	58.55	2.22	23.00	40	60	38.10	28.55	2.80	3.99
			80/67	55.55	42.32	63.15	2.23	24.93		70	36.04	26.32	2.85	3.71
			85/71	60.10	43.95	67.75	2.24	26.84		80	33.62	23.70	2.91	3.39
	12	12.36	75/63	51.41	40.74	58.74	2.15	23.93		60	39.70	30.08	2.82	4.13
			80/67	56.01	42.67	63.38	2.16	25.93		70	37.55	27.77	2.87	3.84
			85/71	60.60	44.31	68.01	2.17	27.92		80	35.03	25.03	2.93	3.50
	15	18.47	75/63	51.73	40.99	58.88	2.10	24.66		60	40.90	31.23	2.83	4.23
			80/67	56.35	42.93	63.55	2.11	26.73		70	38.69	28.85	2.88	3.93
			85/71	60.98	44.59	68.21	2.12	28.78		80	36.09	26.04	2.94	3.59
60	8	5.76	75/63	48.72	38.93	57.15	2.47	19.73	50	60	42.54	32.88	2.83	4.40
			80/67	53.08	40.78	61.55	2.48	21.39		70	40.23	30.40	2.88	4.09
			85/71	57.44	42.35	65.96	2.49	23.02		80	37.52	27.48	2.94	3.74
	12	11.94	75/63	49.13	39.26	57.29	2.39	20.54		60	44.33	34.60	2.85	4.56
			80/67	53.52	41.12	61.73	2.40	22.26		70	41.93	32.02	2.90	4.23
			85/71	57.92	42.70	66.17	2.42	23.96		80	39.10	28.99	2.96	3.87
	15	17.85	75/63	49.43	39.50	57.40	2.33	21.18		60	45.67	35.89	2.87	4.67
			80/67	53.85	41.37	61.86	2.35	22.95		70	43.20	33.24	2.92	4.34
			85/71	58.27	42.97	66.32	2.36	24.71		80	40.28	30.12	2.98	3.96
70	8	5.57	75/63	46.46	37.59	55.75	2.72	17.07	60	60	46.97	37.20	2.86	4.81
			80/67	50.62	39.37	59.96	2.74	18.50		70	44.42	34.48	2.91	4.47
			85/71	54.78	40.89	64.17	2.75	19.92		80	41.43	31.27	2.98	4.08
	12	11.55	75/63	46.84	37.91	55.84	2.64	17.77		60	48.95	39.11	2.88	4.97
			80/67	51.04	39.70	60.08	2.65	19.26		70	46.30	36.28	2.93	4.62
			85/71	55.23	41.23	64.32	2.66	20.74		80	43.17	32.94	3.00	4.22
	15	17.26	75/63	47.13	38.14	55.91	2.57	18.33		60	50.44	40.55	2.90	5.10
			80/67	51.35	39.95	60.17	2.58	19.87		70	47.70	37.63	2.95	4.74
			85/71	55.57	41.49	64.44	2.60	21.39		80	44.48	34.20	3.01	4.33
80	8	5.39	75/63	44.19	36.35	54.34	2.97	14.86	70	60	51.41	41.53	2.90	5.20
			80/67	48.16	38.08	58.36	2.99	16.11		70	48.61	38.56	2.95	4.83
			85/71	52.12	39.55	62.37	3.01	17.34		80	45.33	35.06	3.01	4.41
	12	11.18	75/63	44.56	36.66	54.39	2.88	15.48		60	53.58	43.63	2.92	5.38
			80/67	48.55	38.39	58.43	2.89	16.78		70	50.67	40.54	2.97	5.00
			85/71	52.55	39.88	62.48	2.91	18.06		80	47.24	36.90	3.03	4.57
	15	16.71	75/63	44.84	36.89	54.42	2.81	15.97		60	55.21	45.21	2.93	5.52
			80/67	48.85	38.63	58.49	2.82	17.31		70	52.21	42.02	2.98	5.13
			85/71	52.87	40.13	62.56	2.84	18.63		80	48.68	38.28	3.05	4.68
85	8	5.30	75/63	43.06	35.77	53.64	3.10	13.89	80	60	55.84	45.85	2.93	5.59
			80/67	46.92	37.46	57.56	3.12	15.06		70	52.80	42.63	2.98	5.19
			85/71	50.79	38.91	61.48	3.13	16.21		80	49.23	38.85	3.04	4.74
	12	11.00	75/63	43.42	36.07	53.66	3.00	14.47		60	58.21	48.14	2.95	5.78
			80/67	47.31	37.78	57.61	3.02	15.68		70	55.04	44.80	3.00	5.37
			85/71	51.21	39.24	61.56	3.03	16.89		80	51.31	40.85	3.06	4.91
	15	16.44	75/63	43.69	36.29	53.68	2.93	14.93		60	59.98	49.86	2.96	5.93
			80/67	47.61	38.01	57.65	2.94	16.18		70	56.71	46.42	3.02	5.51
			85/71	51.52	39.48	61.62	2.96	17.42		80	52.87	42.36	3.08	5.03
90	8	5.22	75/63	41.93	35.20	52.94	3.23	13.00	Extended Range - Anti-freeze required					
			80/67	45.69	36.87	56.76	3.24	14.09						
			85/71	49.45	38.29	60.58	3.26	15.17						
	12	10.83	75/63	42.28	35.49	52.94	3.12	13.54						
			80/67	46.07	37.18	56.79	3.14	14.68						
			85/71	49.86	38.61	60.64	3.16	15.80						
	15	16.19	75/63	42.54	35.71	52.93	3.05	13.97						
			80/67	46.36	37.41	56.80	3.06	15.14						
			85/71	50.17	38.85	60.68	3.08	16.30						
100	8	5.07	75/63	39.67	34.10	51.54	3.48	11.40						
			80/67	43.23	35.72	55.16	3.50	12.36						
			85/71	46.79	37.10	58.79	3.52	13.31						
	12	10.51	75/63	40.00	34.39	51.48	3.37	11.88						
			80/67	43.59	36.02	55.14	3.38	12.88						
			85/71	47.18	37.41	58.79	3.40	13.87						
	15	15.71	75/63	40.24	34.60	51.45	3.28	12.26						
			80/67	43.86	36.24	55.12	3.30	13.29						
			85/71	47.47	37.65	58.79	3.32	14.31						
110	15	15.26	75/63	37.95	33.53	49.96	3.52	10.78						
			80/67	41.36	35.12	53.43	3.54	11.69						
			85/71	44.77	36.48	56.91	3.56	12.59						

Extended Range - Anti-freeze required

AHRI/ISO1325G-1 certified performance is rated at entering air conditions of 80.6°F DB and 66.2°F WB in cooling and 68°F DB in heating.

Tabulated unit performance does not include fan or pump power corrections required for AHRI/ISO standard performance ratings.

Unit performance may be interpolated. Extrapolation is not allowed.

For conditions other than rating conditions provided, consult the Bosch EAD selection software.

Ratings below 40°F are with a methanol solution.

Due to variations in installation, actual performance may vary from the tabulated data. Performance contained herein are as a result of extensive testing by Bosch and are not express warranties between the parties and may be changed at any time.

Continuous research and development to improve our products may result in a change to the current design and specifications without notice.



# CAPACITY DATA - BP/CP060

(All Data at 2000 CFM)

COOLING									HEATING					
Entering Fluid Temp (F)	Water Flow (GPM)	Pressure Drop (FOH)	Entering Air Temp (db/wb) F	Total Capacity (MBTUH)	Sensible Capacity (MBTUH)	Heat of Rej. (MBTUH)	Power Input (kW)	EER	Entering Fluid Temp (F)	Entering Air Temp (F)	Total Capacity (MBTUH)	Heat of Abs. (MBTUH)	Power Input (kW)	COP
40	9	4.08	75/63	67.76	53.55	76.61	2.59	26.13	30	60	46.86	35.82	3.24	4.24
			80/67	73.78	56.06	82.68	2.61	28.30		70	44.31	33.07	3.29	3.94
			85/71	79.81	58.21	88.75	2.62	30.45		80	41.31	29.83	3.37	3.60
	15	10.24	75/63	68.43	54.08	76.95	2.49	27.43		60	49.26	38.12	3.26	4.42
			80/67	74.52	56.62	83.08	2.51	29.71		70	46.58	35.24	3.32	4.11
			85/71	80.60	58.79	89.20	2.52	31.97		80	43.43	31.84	3.40	3.75
	20	17.18	75/63	68.99	54.52	77.23	2.41	28.59		60	51.26	40.04	3.29	4.57
			80/67	75.12	57.08	83.40	2.43	30.97		70	48.47	37.04	3.35	4.24
			85/71	81.26	59.27	89.58	2.44	33.33		80	45.19	33.51	3.42	3.87
50	9	3.94	75/63	65.26	51.79	75.10	2.88	22.64	40	60	53.50	42.06	3.35	4.67
			80/67	71.07	54.22	80.96	2.90	24.52		70	50.58	38.93	3.41	4.34
			85/71	76.87	56.30	86.81	2.91	26.39		80	47.16	35.25	3.49	3.96
	15	9.89	75/63	65.91	52.30	75.37	2.77	23.77		60	56.25	44.70	3.38	4.87
			80/67	71.77	54.76	81.28	2.79	25.75		70	53.18	41.42	3.44	4.52
			85/71	77.63	56.86	87.19	2.80	27.71		80	49.57	37.56	3.52	4.13
	20	16.59	75/63	66.45	52.73	75.59	2.68	24.79		60	58.53	46.90	3.41	5.03
			80/67	72.36	55.21	81.55	2.69	26.85		70	55.34	43.50	3.47	4.67
			85/71	78.27	57.32	87.51	2.71	28.89		80	51.59	39.49	3.55	4.26

Extended Range - Anti-freeze required

AHRI/ISO1325G-1 certified performance is rated at entering air conditions of 80.6°F DB and 66.2°F WB in cooling and 68°F DB in heating.

Tabulated unit performance does not include fan or pump power corrections required for AHRI/ISO standard performance ratings.

Unit performance may be interpolated. Extrapolation is not allowed.

For conditions other than rating conditions provided, consult the Bosch EAD selection software.

Ratings below 40°F are with a methanol solution.

Due to variations in installation, actual performance may vary from the tabulated data. Performance contained herein are as a result of extensive testing by Bosch and are not express warranties between the parties and may be changed at any time.

Continuous research and development to improve our products may result in a change to the current design and specifications without notice.



# CAPACITY DATA - BP/CP070

(All Data at 2200 CFM)

COOLING									HEATING					
Entering Fluid Temp (F)	Water Flow (GPM)	Pressure Drop (FOH)	Entering Air Temp (db/wb) F	Total Capacity (MBTUH)	Sensible Capacity (MBTUH)	Heat of Rej. (MBTUH)	Power Input (kW)	EER	Entering Fluid Temp (F)	Entering Air Temp (F)	Total Capacity (MBTUH)	Heat of Abs. (MBTUH)	Power Input (kW)	COP
40	10	3.15	75/63	72.17	56.90	83.08	3.19	22.59	30	60	56.84	42.63	4.16	4.00
			80/67	78.65	59.60	89.61	3.21	24.50		70	53.78	39.32	4.24	3.72
			85/71	85.13	61.91	96.14	3.23	26.38		80	50.18	35.42	4.33	3.40
	17	8.19	75/63	72.92	57.49	83.42	3.08	23.70		60	59.81	45.47	4.20	4.17
			80/67	79.46	60.22	90.01	3.09	25.70		70	56.59	42.00	4.27	3.88
			85/71	86.00	62.55	96.61	3.11	27.68		80	52.80	37.90	4.36	3.55
	22	13.02	75/63	73.45	57.91	83.66	2.99	24.55		60	61.93	47.51	4.23	4.29
			80/67	80.04	60.66	90.30	3.01	26.62		70	58.59	43.91	4.30	3.99
			85/71	86.63	63.01	96.94	3.02	28.67		80	54.66	39.68	4.39	3.65
50	10	3.04	75/63	69.82	55.27	81.92	3.55	19.69	40	60	64.66	49.93	4.32	4.39
			80/67	76.09	57.90	88.25	3.56	21.35		70	61.16	46.18	4.39	4.08
			85/71	82.36	60.15	94.58	3.58	23.00		80	57.06	41.76	4.48	3.73
	17	7.91	75/63	70.54	55.85	82.19	3.41	20.67		60	68.05	53.19	4.35	4.58
			80/67	76.88	58.50	88.58	3.43	22.41		70	64.37	49.25	4.43	4.26
			85/71	83.21	60.77	94.97	3.45	24.14		80	60.04	44.61	4.52	3.89
	22	12.58	75/63	71.06	56.26	82.38	3.32	21.42		60	70.47	55.52	4.38	4.71
			80/67	77.43	58.93	88.82	3.33	23.22		70	66.66	51.45	4.46	4.38
			85/71	83.81	61.21	95.25	3.35	25.01		80	62.18	46.64	4.55	4.00
60	10	2.94	75/63	67.47	53.86	80.77	3.90	17.32	50	60	72.48	57.23	4.47	4.75
			80/67	73.53	56.42	86.90	3.92	18.78		70	68.55	53.04	4.54	4.42
			85/71	79.59	58.61	93.03	3.94	20.22		80	63.94	48.10	4.64	4.04
	17	7.64	75/63	68.17	54.42	80.96	3.75	18.18		60	76.29	60.91	4.51	4.96
			80/67	74.29	57.01	87.15	3.77	19.72		70	72.15	56.50	4.58	4.61
			85/71	80.41	59.22	93.34	3.79	21.23		80	67.29	51.31	4.68	4.21
	22	12.15	75/63	68.66	54.82	81.10	3.64	18.85		60	79.01	63.54	4.53	5.11
			80/67	74.83	57.43	87.33	3.66	20.44		70	74.72	58.98	4.61	4.75
			85/71	81.00	59.65	93.56	3.68	22.01		80	69.69	53.61	4.71	4.33
70	10	2.84	75/63	65.12	52.64	79.61	4.25	15.33	60	60	80.30	64.54	4.62	5.09
			80/67	70.97	55.15	85.54	4.27	16.62		70	75.94	59.90	4.70	4.73
			85/71	76.83	57.29	91.47	4.29	17.90		80	70.82	54.44	4.80	4.32
	17	7.39	75/63	65.79	53.19	79.73	4.08	16.11		60	84.53	68.63	4.66	5.32
			80/67	71.70	55.72	85.72	4.11	17.47		70	79.94	63.76	4.74	4.94
			85/71	77.62	57.88	91.70	4.13	18.81		80	74.54	58.02	4.84	4.51
	22	11.75	75/63	66.27	53.58	79.81	3.97	16.70		60	87.55	71.55	4.69	5.47
			80/67	72.23	56.13	85.84	3.99	18.11		70	82.79	66.51	4.77	5.09
			85/71	78.18	58.31	91.87	4.01	19.50		80	77.20	60.57	4.87	4.64
80	10	2.75	75/63	62.77	51.59	78.46	4.60	13.65	70	60	88.12	71.84	4.77	5.41
			80/67	68.41	54.05	84.19	4.62	14.80		70	83.33	66.76	4.85	5.03
			85/71	74.06	56.14	89.92	4.65	15.94		80	77.70	60.78	4.96	4.59
	17	7.15	75/63	63.41	52.12	78.50	4.42	14.35		60	92.77	76.35	4.81	5.65
			80/67	69.12	54.61	84.29	4.44	15.56		70	87.72	71.01	4.90	5.25
			85/71	74.82	56.73	90.07	4.47	16.75		80	81.79	64.72	5.00	4.79
	22	11.38	75/63	63.88	52.51	78.53	4.29	14.88		60	96.09	79.56	4.84	5.81
			80/67	69.62	55.01	84.35	4.32	16.13		70	90.86	74.04	4.93	5.40
			85/71	75.37	57.14	90.18	4.34	17.37		80	84.71	67.54	5.03	4.93
85	10	2.71	75/63	61.59	51.12	77.88	4.77	12.90	80	60	95.94	79.14	4.92	5.71
			80/67	67.13	53.55	83.51	4.80	13.99		70	90.71	73.62	5.01	5.31
			85/71	72.68	55.63	89.14	4.82	15.07		80	84.58	67.12	5.11	4.85
	17	7.04	75/63	62.23	51.65	77.89	4.59	13.56		60	101.01	84.06	4.96	5.96
			80/67	67.83	54.11	83.57	4.61	14.71		70	95.50	78.26	5.05	5.54
			85/71	73.43	56.21	89.25	4.64	15.84		80	89.04	71.43	5.16	5.06
	22	11.20	75/63	62.68	52.03	77.89	4.46	14.07		60	104.63	87.58	5.00	6.14
			80/67	68.32	54.50	83.61	4.48	15.25		70	98.92	81.57	5.08	5.70
			85/71	73.96	56.62	89.33	4.50	16.43		80	92.23	74.50	5.19	5.20
90	10	2.67	75/63	60.41	50.68	77.30	4.95	12.21	Extended Range - Anti-freeze required					
			80/67	65.85	53.09	82.83	4.97	13.24						
			85/71	71.30	55.16	88.36	5.00	14.26						
	17	6.93	75/63	61.04	51.21	77.27	4.76	12.83						
			80/67	66.53	53.64	82.85	4.78	13.92						
			85/71	72.03	55.73	88.43	4.81	14.99						
	22	11.03	75/63	61.48	51.58	77.25	4.62	13.31						
			80/67	67.02	54.04	82.87	4.64	14.43						
			85/71	72.56	56.14	88.48	4.67	15.55						
100	10	2.59	75/63	58.06	49.89	76.15	5.30	10.96						
			80/67	63.29	52.27	81.48	5.33	11.88						
			85/71	68.53	54.30	86.81	5.36	12.80						
	17	6.72	75/63	58.66	50.41	76.04	5.09	11.52						
			80/67	63.95	52.81	81.42	5.12	12.49						
			85/71	69.24	54.86	86.80	5.15	13.45						
	22	10.70	75/63	59.09	50.78	75.97	4.94	11.95						
			80/67	64.42	53.20	81.38	4.97	12.96						
			85/71	69.74	55.26	86.79	5.00	13.96						
110	22	10.39	75/63	56.70	50.07	74.68	5.27	10.76						
			80/67	61.81	52.46	79.89	5.30	11.67						
			85/71	66.93	54.50	85.10	5.33	12.57						

Extended Range - Anti-freeze required

AHRI/ISO1325G-1 certified performance is rated at entering air conditions of 80.6°F DB and 66.2°F WB in cooling and 68°F DB in heating.

Tabulated unit performance does not include fan or pump power corrections required for AHRI/ISO standard performance ratings.

Unit performance may be interpolated. Extrapolation is not allowed.

For conditions other than rating conditions provided, consult the Bosch EAD selection software.

Ratings below 40°F are with a methanol solution.

Due to variations in installation, actual performance may vary from the tabulated data. Performance contained herein are as a result of extensive testing by Bosch and are not express warranties between the parties and may be changed at any time.

Continuous research and development to improve our products may result in a change to the current design and specifications without notice.



# ELECTRICAL DATA



## BP/CP Series Water Source Heat Pump

Model	Electrical Symbol	Voltage/Hz/ Phase	Compressor			Blower Motor			Min. Circuit Amps	Max Fuse/ HARC
			Quantity	RLA	LRA	Quantity	FLA	HP		
BP007	-1	208-230/30/1	1	3.1	15.9	1	0.96	0.1	4.8	15
BP009	-1	208-230/30/1	1	3.7	22.0	1	0.96	0.1	5.5	15
BP012	-1	208-230/30/1	1	5.1	28.0	1	0.96	0.1	7.3	15
BP015	-1	208-230/30/1	1	6.8	31.2	1	2.7	0.33	11.2	15
BP018	-1	208-230/30/1	1	7.4	33.0	1	2.7	0.33	12	15
BP/CP024	-1	208-230/30/1	1	13.5	58.3	1	2.7	0.33	19.6	30
BP/CP030	-1	208-230/30/1	1	12.8	58.3	1	2.7	0.33	18.7	30
BP/CP036	-1	208-230/30/1	1	16	77.0	1	5.3	0.75	25.3	40
BP/CP042	-1	208-230/30/1	1	16.7	79.0	1	5.3	0.75	26.2	40
BP/CP048	-1	208-230/30/1	1	19.9	109.0	1	5.3	0.75	30.2	50
BP/CP060	-1	208-230/30/1	1	25	134.0	1	6.9	1	38.2	60
BP/CP070	-1	208-230/30/1	1	26.3	134.0	1	6.9	1	39.8	60

**NOTES:**

208/230V Units shipped with transformer wired for 230V—for 208V remove orange transformer primary lead and replace with red lead. All blower motors are single phase.

\* 460V unit contains a 265V fan motor and requires a neutral to power motor

# BLOWER PERFORMANCE CFM



## BP/CP Series Water Source Heat Pump

Model	Available External Static Pressure (ins., Gauge. Wet coil and filter included)												
	Motor Speed	0.10	0.20	0.30	0.40	0.50	0.60	0.70	0.80	0.90	1.00	1.10	1.20
BP007	High	430	420	390	360	335	310	260	-	-	-	-	-
	Medium	420	390	365	335	310	270	-	-	-	-	-	-
	Low	370	360	340	315	285	245	-	-	-	-	-	-
BP009	High	430	420	390	360	335	310	260	-	-	-	-	-
	Medium	420	390	365	335	310	270	-	-	-	-	-	-
	Low	370	360	340	315	285	245	-	-	-	-	-	-
BP012	High	450	435	415	400	385	360	330	305	-	-	-	-
	Medium	425	405	385	375	360	335	310	-	-	-	-	-
	Low	390	380	365	350	335	315	290	-	-	-	-	-
BP015	High	590	555	500	475	450	435	415	390	-	-	-	-
	Medium	530	490	455	425	400	365	335	-	-	-	-	-
	Low	440	395	360	325	290	250	-	-	-	-	-	-
BP018	High	700	665	635	605	560	525	510	475	440	-	-	-
	Medium	615	590	550	510	480	440	400	-	-	-	-	-
	Low	520	490	440	400	380	360	-	-	-	-	-	-
BP/CP024	High	950	920	900	885	855	830	800	780	720	690	630	-
	Medium	830	810	780	750	735	690	630	610	590	-	-	-
	Low	700	675	650	615	550	520	-	-	-	-	-	-
BP/CP030	High	1200	1190	1180	1155	1130	1110	1080	1060	1035	995	925	900
	Medium	1070	1040	1015	1005	980	960	935	920	910	885	850	815
	Low	930	905	880	855	840	815	790	755	745	675	-	-
BP/CP036	High	1440	1410	1385	1360	1290	1225	1165	1095	1030	940	860	-
	Medium	1310	1275	1270	1250	1220	1190	1150	1075	1000	930	840	-
	Low	1155	1120	1080	1050	1035	1020	1000	975	950	920	-	-
BP/CP042	High	1710	1680	1650	1630	1600	1530	1440	1350	1300	1250	-	-
	Medium	1500	1470	1440	1400	1360	1345	1330	1275	-	-	-	-
	Low	1275	1240	1195	1185	1125	1085	-	-	-	-	-	-
BP/CP048	High	2000	1885	1870	1845	1815	1770	1745	1720	1710	1700	1680	-
	Medium	1750	1700	1660	1625	1615	1590	1565	1540	1500	-	-	-
	Low	1500	1470	1440	1400	1360	1345	1330	-	-	-	-	-
BP/CP060	High	2370	2325	2300	2275	2255	2200	2190	2150	2100	2060	2050	2030
	Medium	2090	2080	2030	1995	1950	1925	1900	1865	1820	1770	1730	1680
	Low	1745	1700	1650	1620	1590	1560	1530	1490	1450	1390	-	-
BP/CP070	High	2400	2350	2325	2300	2260	2205	2200	2195	2167	2105	2085	2060
	Medium	2125	2100	2050	1990	1975	1950	1890	1850	1815	1810	1780	1730
	Low	1800	1750	1700	1675	1620	1580	1565	1510	1470	1410	-	-



# PHYSICAL DATA



## BP/CP Series Water Source Heat Pump

Unit Size	BP007	BP009	BP012	BP015	BP018	BP/CP024
Compressor Type	Rotary	Rotary	Rotary	Rotary	Rotary	Scroll
Quantity	1	1	1	1	1	1
Refrigerant Charge oz.	29	31	40	35	35	65
Coil Face Area Ft <sup>2</sup>	1.40	1.40	1.80	2.30	2.30	3.50
Rows	3	3	3	3	3	3
Filter Size HZ (Qty) ins.	15 x 20 x 1 (1)	15 x 20 x 1 (1)	18 x 20 x 1 (1)	18 x 20 x 1 (1)	18 x 20 x 1 (1)	16 x 20 x 1 (2)
Filter Size VT (Qty) ins.	15 x 20 x 1 (1)	15 x 20 x 1 (1)	20 x 20 x 1 (1)	20 x 20 x 1 (1)	20 x 20 x 1 (1)	24 x 24 x 1 (1)
Blower Size ins.	4x6	4x6	4x7	9x7	9x7	9x7
Motor HP	1/10	1/10	1/10	1/3	1/3	1/3
Quantity	1	1	1	1	1	1
Type	PSC	PSC	PSC	ECM	ECM	ECM
Water Connections ins. FPT	3/4	3/4	3/4	3/4	3/4	3/4
Rated Water Flow Rate (GPM)	2	2.5	4	4	5	6
Water Pressure Drop @ Rated Flow (PSI) water loop cooling	2.1	2.5	2.5	2.4	4.5	3
Condensate Connection ins. FPT	3/4	3/4	3/4	3/4	3/4	3/4
Unit Ship Weight Lbs. (V / H)	160 / 185	174 / 192	186 / 205	208 / 218	212 / 222	242 / 340
Unit Operating Weight Lbs (V / H)	140 / 165	154 / 172	166 / 173	191 / 190	195 / 198	229 / 307

Unit Size	BP/CP030	BP/CP036	BP/CP042	BP/CP048	BP/CP060	BP/CP070
Compressor Type	Scroll	Scroll	Scroll	Scroll	Scroll	Scroll
Quantity	1	1	1	1	1	1
Refrigerant Charge oz.	71	71	79	86	105	145
Coil Face Area Ft <sup>2</sup>	4.5	4.5	6.0	6.0	7.5	7.5
Rows	3	3	3	3	3	3
Filter Size HZ (Qty) ins.	18 x 20 x 1 (2)	18 x 20 x 1 (2)	20 x 24 x 1 (2)	20 x 24 x 1 (2)	20 x 28 x 1 (2)	20 x 28 x 1 (2)
Filter Size VT (Qty) ins.	24 x 30 x 1 (1)	24 x 30 x 1 (1)	16 x 30 x 1 (2)	16 x 30 x 1 (2)	20 x 30 x 1 x (2)	20 x 30 x 1 x (2)
Blower Size ins.	9x7	9x7	10x8	10x8	11x9	11x9
Motor HP	1/3	3/4	3/4	3/4	1	1
Quantity	1	1	1	1	1	1
Type	ECM	ECM	ECM	ECM	ECM	ECM
Water Connections ins. FPT	1	1	1	1	1	1
Rated Water Flow Rate (GPM)	7	10	10.5	12	15	17
Water Pressure Drop @ Rated Flow (PSI) water loop cooling	1.4	3.5	2.3	5	4	3.2
Condensate Connection ins. FPT	3/4	3/4	3/4	3/4	3/4	3/4
Unit Ship Weight Lbs. (V / H)	292 / 404	304 / 415	360 / 465	366 / 470	422 / 520	470 / 562
Unit Operating Weight Lbs (V / H)	269 / 358	281 / 369	334 / 400	340 / 405	396 / 452	444 / 494

# VERTICAL UNIT DIMENSIONS

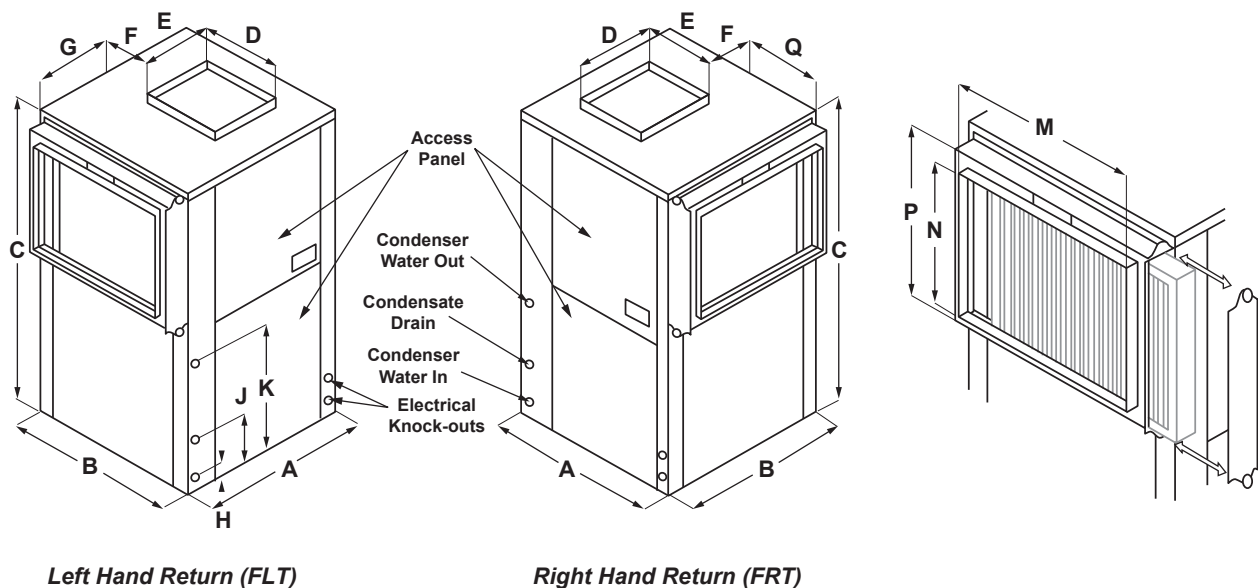


## BP/CP Series Water Source Heat Pump

Overall unit dimensions do not include filter rack or duct flanges.

Model	A	B	C	D	E	F	G	H	J	K	M	N	P	Q	Condenser Water Connections	Recommended Replacement Nominal Filter Size
	Width	Depth	Height								R/A Duct Width	R/A Duct Flange Height	Filter Rack Height			
BP007	21.50	21.50	32.75	11.75	7.75	4.75	10.00	2.37	8.0	14.00	17.50	13.00	15.00	3.75	3/4" FPT	15 X 20 X 1
BP009	21.50	21.50	32.75	11.75	7.75	4.75	10.00	2.37	8.0	14.00	17.50	13.00	15.00	3.75	3/4" FPT	15 X 20 X 1
BP012	21.50	21.50	32.75	7.75	11.75	5.00	3.50	2.50	7.37	12.50	18.00	18.00	20.00	5.00	3/4" FPT	20 X 20 X 1
BP015	21.50	21.50	39.50	13.75	13.75	2.75	4.50	2.50	7.37	12.50	18.00	18.00	20.00	4.00	3/4" FPT	20 X 20 X 1
BP018	21.50	21.50	39.50	13.75	13.75	2.75	4.50	2.50	7.37	12.50	18.00	18.00	20.00	4.00	3/4" FPT	20 X 20 X 1
BP/CP024	21.50	26.25	47.50	13.75	15.75	7.00	5.25	2.50	8.00	14.50	22.00	22.00	24.00	1.00	3/4" FPT	24 X 24 X 1
BP/CP030	24.25	33.50	47.50	15.75	15.75	6.00	4.00	2.50	8.00	14.50	28.00	22.00	24.00	4.00	1" FPT	24 X 30 X 1
BP/CP036	24.25	33.50	47.50	15.75	15.75	8.75	5.75	2.50	8.00	14.50	28.00	22.00	24.00	4.00	1" FPT	24 X 30 X 1
BP/CP042	26.00	33.50	58.50	17.75	17.75	8.50	4.50	2.50	8.00	14.50	28.00	30.00	32.00	3.75	1" FPT	16 X 30 X 1 (2)
BP/CP048	26.00	33.50	58.50	17.75	17.75	8.50	4.50	2.50	8.00	14.50	28.00	30.00	32.00	3.75	1" FPT	16 X 30 X 1 (2)
BP/CP060	26.00	33.50	66.50	17.75	17.75	7.50	6.38	2.50	10.00	16.50	28.00	38.00	40.00	3.75	1" PFT	20 X 30 X 1 (2)
BP/CP070	26.00	33.50	66.50	17.75	17.75	7.50	6.38	4.25	10.00	16.50	28.00	38.00	40.00	3.75	1" FPT	20 X 30 X 1 (2)

NOTE: All dimensions within  $\pm 0.125"$ . Specifications subject to change without notice.



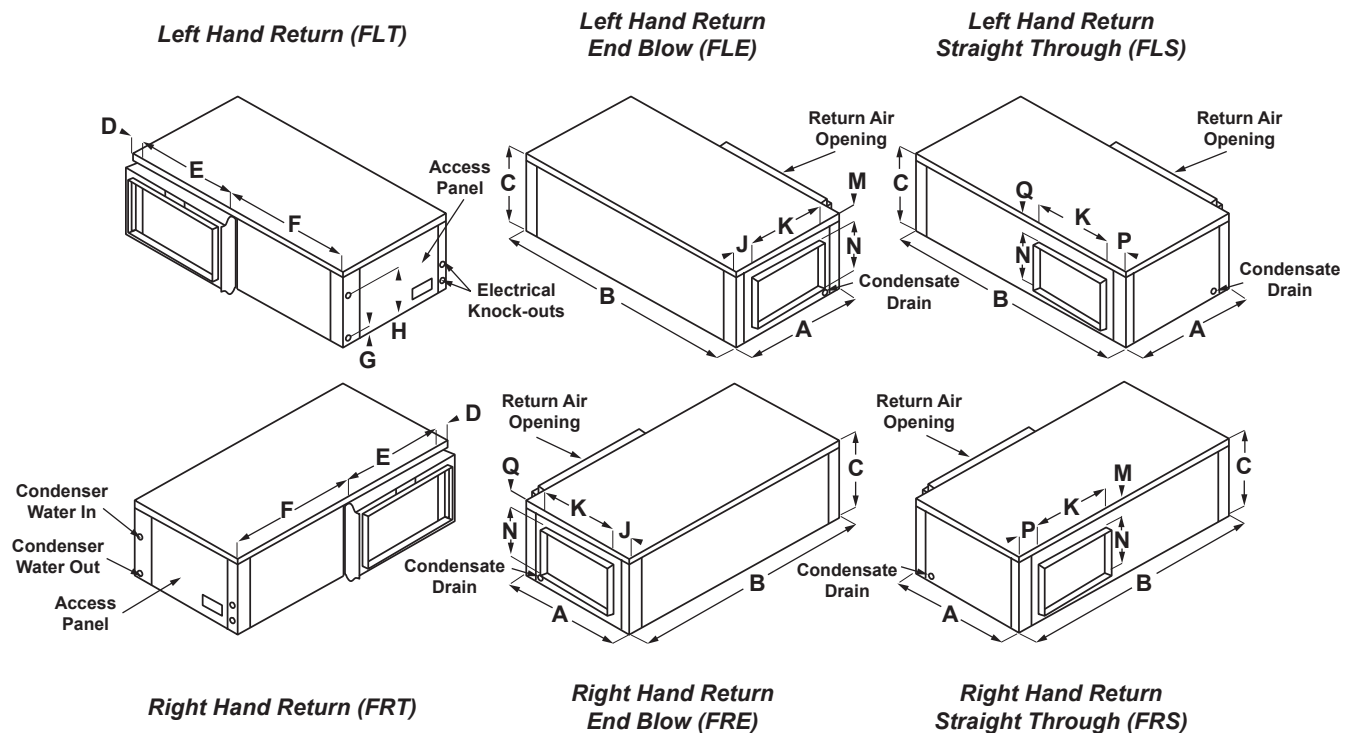
# HORIZONTAL UNIT DIMENSIONS BOSCH

## BP/CP Series Water Source Heat Pump

Overall unit dimensions do not include filter rack or duct flanges.

Model	A	B	C	D	E	F	G	H	J	K	M	N	P	Q	R	T	Condenser Water Connections	Recommended Replacement Nominal Filter Size
	Width	Depth	Height		R/A Duct Width										Filter Rack Height	R/A Duct Flange Height		
BP007	21.50	43.00	17.00	2.00	20.00	23.00	2.38	13.25	3.50	11.75	4.50	7.75	3.50	4.50	15.00	13.00	3/4" FPT	15 x 20 x 1
BP009	21.50	43.00	17.00	2.00	20.00	23.00	2.38	13.25	3.50	11.75	4.50	7.75	3.50	4.50	15.00	13.00	3/4" FPT	15 x 20 x 1
BP012	22.00	45.00	19.50	2.00	20.00	25.00	2.38	12.50	3.50	11.75	1.25	7.75	3.50	4.63	18.00	16.00	3/4" FPT	18 x 20 x 1
BP015	22.00	45.00	19.50	3.00	18.00	25.00	2.38	12.50	2.50	13.75	3.00	13.75	2.50	2.75	18.00	16.00	3/4" FPT	18 x 20 x 1
BP018	22.00	45.00	19.50	3.00	18.00	25.00	2.38	12.50	2.50	13.75	3.00	13.75	2.50	2.75	18.00	16.00	3/4" FPT	18 x 20 x 1
BP/CP024	26.00	54.50	22.00	2.50	28.00	24.00	3.00	15.25	3.75	13.75	3.00	15.75	3.75	4.00	20.50	18.50	3/4" FPT	16 x 20 x 1 (2)
BP/CP030	30.00	68.00	22.00*	3.00	34.00	31.00	2.50	14.38	4.50	15.75	2.25	15.75	4.50	2.00	20.50	18.50	1" FPT	18 x 20 x 1 (2)
BP/CP036	30.00	68.00	22.00*	3.00	34.00	31.00	2.50	14.38	4.50	15.75	2.25	15.75	4.50	2.00	20.50	18.50	1" FPT	18 x 20 x 1 (2)
BP/CP042	30.00	79.00	22.00*	2.50	46.50	32.00	2.50	14.38	4.50	17.75	2.25	17.75	4.50	2.00	20.50	18.50	1" FPT	20 x 24 x 1 (2)
BP/CP048	30.00	79.00	22.00*	2.50	46.50	32.00	2.50	14.38	4.50	17.75	2.25	17.75	4.50	2.00	20.50	18.50	1" FPT	20 x 24 x 1 (2)
BP/CP060	30.00	89.00	22.00*	2.50	54.00	31.50	2.50	16.75	4.50	17.75	2.00	17.75	7.66	2.75	20.50	18.50	1" PFT	20 X 28 X 1 (2)
BP/CP070	30.00	89.00	22.00*	2.50	54.00	31.50	6.00	17.00	3.50	17.75	2.00	17.75	7.66	2.75	20.50	18.50	1" FPT	20 X 28 X 1 (2)

NOTE: All dimensions within  $\pm 0.125"$ . Specifications subject to change without notice.  
 \*Total unit height is 22.75 with base rails for BP/CP030-BP/CP070



---

# SPECIFICATION GUIDE

## BP/CP Series Water Source Heat Pump

---



### 1.0 General

Furnish and install Bosch water source heat pumps as indicated on the plans with capacities and characteristics as listed in the schedule and the specifications that follow. The units shall be manufactured in an ISO 9001 certified facility.

### 2.0 Horizontal/Vertical Water Source Heat Pumps

Units shall be designed to operate throughout the range of entering fluid temperature of 50°F to 110°F in the cooling mode and 50°F to 80°F in the heating mode. Units shall have an operating range of 25°F to 80°F in the heating mode when equipped with the optional extended range. Equivalent units from other manufacturers can be proposed provided approval to bid is given 10 days prior to bid closing. All equipment with a nominal capacity of 134,000 BTUH Total Cooling or lower must be listed in the current ARI Applied Equipment Directory under the ARI Standard ARI-ISO-13256-1, WLHP, GWHP and GLHP Rating.

All equipment in this section must meet or exceed the national standard minimum EER and COP as listed in ASHRAE 90.1 as follows:

For the ARI-ISO-13256-1, WLHP Rating (12.0 EER and 4.2 COP for units larger than a nominal 17,000 BTUH Total Cooling – 11.2 EER and 4.2 COP for units below a nominal 17,000 BTUH Total Cooling)

For the ARI-ISO-13256-1, GLHP Rating a minimum 13.4 EER and 3.1 COP.

All units shall be listed with Underwriters Laboratories (UL), NRTL or Canadian Standards Association (CSA). All units shall have ARI-13256-1 labels, and UL or NRTL or CSA labels.

#### 2.01 Basic Construction

- A. Units shall have the air flow arrangement as shown on the plans. If units with these arrangements are not used, the contractor supplying the water source heat pumps is responsible for any extra costs incurred by other trades and must submit detailed mechanical drawings showing ductwork requirements and changes or relocation of any other mechanical or electrical system. If other arrangements make servicing difficult the contractor must provide access panels and clear routes to ease service. The architect must approve all changes 10 days prior to bid.
- B. All units shall have stainless steel drain pans to comply with this project's IAQ requirements. No exceptions shall be allowed.
- C. All water source heat pumps shall be fabricated from sheet metal finished with Galvalume® plus, an aluminum-zinc alloy with a clear acrylic coating for additional corrosion protection sheet metal. All interior surfaces shall be lined with 1/2 inch thick, multi density acoustic insulation. Insulation within the air handling section shall be foil faced. All insulation must meet NFPA 90A and be certified to meet the GREENGUARD Indoor Air Quality Standard for Low Emitting Products. One blower access panel and two compressor compartment access panels shall be removable with supply and return air ductwork in place.
- D. Unit shall have a floating base pan consisting of a 1/2" (12 mm) thick high density rubber pad between the compressor/condenser base plate and the unit base pan to prevent transmission of vibration to the structure.

---

# SPECIFICATION GUIDE

## BP/CP Series Water Source Heat Pump

---



- E. All units shall have a factory installed four sided filter rack capable of accepting either one or two inch filters for use with standard filter sizes. Units shall have a 1 inch thick throwaway type glass fiber filter as standard. The filter rack shall incorporate a 1 inch duct flange. The contractor shall purchase one spare set of filters and replace factory-shipped filters upon completion of start-up.
- F. Cabinets shall have separate holes and knockouts for entrance of line voltage and low voltage control wiring. Supply and return water connections shall be brass FPT fittings and shall be securely mounted flush to the cabinet allowing for connection to a flexible hose without the use of a back-up wrench. Water connections which protrude through the cabinet shall not be allowed.
- G. Hanging brackets and condensate overflow switches shall be provided as standard for horizontal units.

### 2.02 Fan and Motor Assembly

- A. Units shall have a direct-drive centrifugal fan. The fan motor shall be 3-speed, permanently lubricated, PSC type with thermal overload protection for the BP007, BP009, and BP012. The fan motor shall be isolated from the fan housing by torsionally flexible isolation.

All remaining units will come supplied with a factory pre-programmed ultra efficient direct-drive ECM for maximum efficiency and quiet operation. Air flow shall be field adjustable.

- B. The fan and motor assembly must be capable of overcoming the external static pressures as shown on the schedule. External static pressure rating of the unit shall be based on a wet coil. Ratings based on a dry coil shall NOT be acceptable.

### 2.03 Refrigerant Circuit

Units shall use R-410A refrigerant. Units that use R-22 refrigerant shall not be allowed.

All units shall have a factory sealed and fully charged refrigerant circuit with the following components:

- A. Hermetic compressor: Hermetic rotary, or scroll compressors shall be specifically designed for R-410A refrigerant and shall be internally sprung, externally isolated (rotary), with thermal overload protection and shall be located in an insulated compartment to minimize sound transmission.
- B. Refrigerant metering thermal expansion valves
- C. Finned tube refrigerant to air heat exchanger not exceeding 14 fins per inch. Refrigerant to air heat exchangers shall utilize enhanced aluminum fins and rifled copper tube construction rated to withstand 600 PSIG refrigerant working pressure. All air coils shall have non-ferrous aluminum end plates.  
  
Option for C Refrigerant to air coils shall have a baked polyester enamel coating (rated at 1,000 hour salt spray protection equivalent or better).
- D. Reversing valve. Reversing valves shall be four-way solenoid activated refrigerant valves which shall fail to the heating operation should the solenoid fail to function. Reversing valves which fail to the cooling operation shall not be allowed.

---

# SPECIFICATION GUIDE

## BP/CP Series Water Source Heat Pump

---



E. Coaxial (tube in tube) refrigerant to water heat exchanger. Refrigerant to water heat exchangers shall be of copper inner water tube and steel outer refrigerant tube design rated to withstand 600 PSIG working refrigerant pressure and 400 PSIG working water pressure. Shell and Tube style refrigerant to water heat exchangers shall be treated as pressure vessels and shall require refrigerant pressure relief valves piped to the exterior of the building. The contractor supplying the water source heat pumps with Shell and Tube heat exchangers shall be responsible for any additional installation costs. Brazed Plate water to refrigerant heat exchangers shall require additional centrifugal separators added to the supply water piping at each unit. Each separator shall have an automated clean out valve piped to a waste line. The contractor supplying water source heat pumps with Brazed Plate heat exchangers shall be responsible for any additional costs.

Option for E: Cupro-Nickel water coil – The refrigerant to water heat exchanger shall be of cupro-nickel inner water tube construction.

- F. Safety controls including both a high pressure and low pressure switch. Temperature sensors shall not replace these safety switches. See the controls section of this specification for additional information.
- G. Access fittings shall be factory installed on high and low pressure refrigerant lines to facilitate field service.
- H. Activation of any safety device shall prevent compressor operation via a lockout circuit. The lockout circuit shall be reset at the thermostat or at the contractor supplied disconnect switch. Units which may be reset at the disconnect switch only shall not be acceptable. Refer to solid state safety circuit below.

### 2.04 Electrical

A control box shall be located within the unit and shall contain a transformer, controls for the compressor, reversing valve and fan motor operation and shall have a terminal block for low voltage field wiring connections. The transformer shall be rated for a minimum 75 VA. All units shall be name-plated for use with time delay fuses or HACR circuit breakers. Unit controls shall be 24 volts.

### 2.05 Solid State Safety Circuit

All units shall have a solid-state UPM safety control circuit with the following features:

1. Anti-short cycle time delay on compressor operation.
2. Random start on power up mode.
3. Brown out/Surge/Power Interruption protection.
4. Low Pressure Switch 90 second bypass timer.
5. Shutdown on high or low refrigerant pressure safety switch inputs, and shutdown for the optional freezestat or optional high level condensate sensor.
6. Alarm output which closes for selectable dry contact closure or 24 VAC remote fault indication.
7. Alarm output selectable for constant output for general alarm notification, or pulse output for annunciation of the specific fault alarm

---

# SPECIFICATION GUIDE

## BP/CP Series Water Source Heat Pump

---



8. Reset unit at thermostat or disconnect.
9. Automatic intelligent reset. Unit shall automatically reset after a safety shut down and restart the unit after the anti-short cycle timer and random start timer expire. Should a fault re-occur within 60 minutes after reset, then a permanent lockout will occur. Reset attempts shall be selectable for either 2 or 4 tries.
10. Ability to defeat time delays for servicing.
11. A light emitting diode (LED) to indicate safety alarms. The LED shall annunciate the following alarms: high refrigerant pressure, low refrigerant pressure, low water temperature, a high level of condensate in the drain pan, or brown out/surge/ power interruption. The LED will display each fault condition as soon as the fault occurs. If a permanent lockout occurs, then the fault LED will display the type of fault until the unit is reset.
12. UL listed, CUL listed, and RFI, ESD, and transient protected.

### 2.06 Options:

- A. Freeze Protection: A freezestat shall sense the leaving water temperature of the unit and shall activate the lockout circuit when water temperature drops below either 15°F or 35°F depending on the dip switch selection. Refrigerant temperature sensors or pressure switches shall not be acceptable. The freezestat may not provide protection in the case of loss of flow in the heating mode. A flow switch or pressure differential switch is recommended to prevent unit operation in case of loss of flow.
- B. Extra quiet construction: Optional compressor blanket shall be provided for BP series on units having a capacity above 18,000 BTUH.
- C. Hot Gas Reheat: Units as noted on the schedule shall be equipped with optional Hot Gas Reheat (HGRH). HGRH shall be either on/off control as noted in the specifications. On/off HGRH shall be controlled by a humidistat connected to the unit H terminal and shall start the unit in the reheat mode should the humidity be above set point once the thermostat control is satisfied. Cooling or heating requirements shall take precedent over HGRH.
- D. Hot Gas Bypass: For units as noted on the schedule, supply each unit with a UL listed and MEA listed modulating hot gas bypass valve with factory supplied and installed controls to prevent air coils from frost development by taking hot gas and bypassing the water coil and expansion device and reintroducing the hot gas into the refrigerant line prior to the air coil. The hot gas bypass valve shall maintain a minimum refrigerant suction pressure to allow for a light load cooling mode or a low entering air temperature cooling mode.
- E. Water Differential Switch. Prevents unit operation if there is no fluid flow.

### 3.0 Hose Kits

All units shall be connected with hoses. The hoses shall be either 2 or 3 feet long, braided stainless steel, fire rated hoses complete with adapters. Non fire rated hoses are not acceptable. Optional ball valves with P/T ports, flow controller, Y strainer and electric valve shall be included as specified in the schedule.



# BOSCH

601 N.W. 65th Court, Ft. Lauderdale, FL 33309  
Phone: 954-776-5471 | Fax: 954-776-5529  
[www.boschtaxcredit.com](http://www.boschtaxcredit.com) | [www.bosch-climate.com](http://www.bosch-climate.com)

