



Heating ■ Air Conditioning

**TECHNICAL GUIDE
COMFORTEER™ SERIES
R-410A, 13 SEER
60 Hertz**

Description

These Coleman® Comforteer™ packaged cooling/heating air conditioners are designed for outdoor installation. Only utility and duct connections are required at the point of installation.

Field-installed electric heater accessories are available to provide electric heat, if required. (Single phase only)



Tested in accordance with:



ISO 9001
Certified Quality
Management System

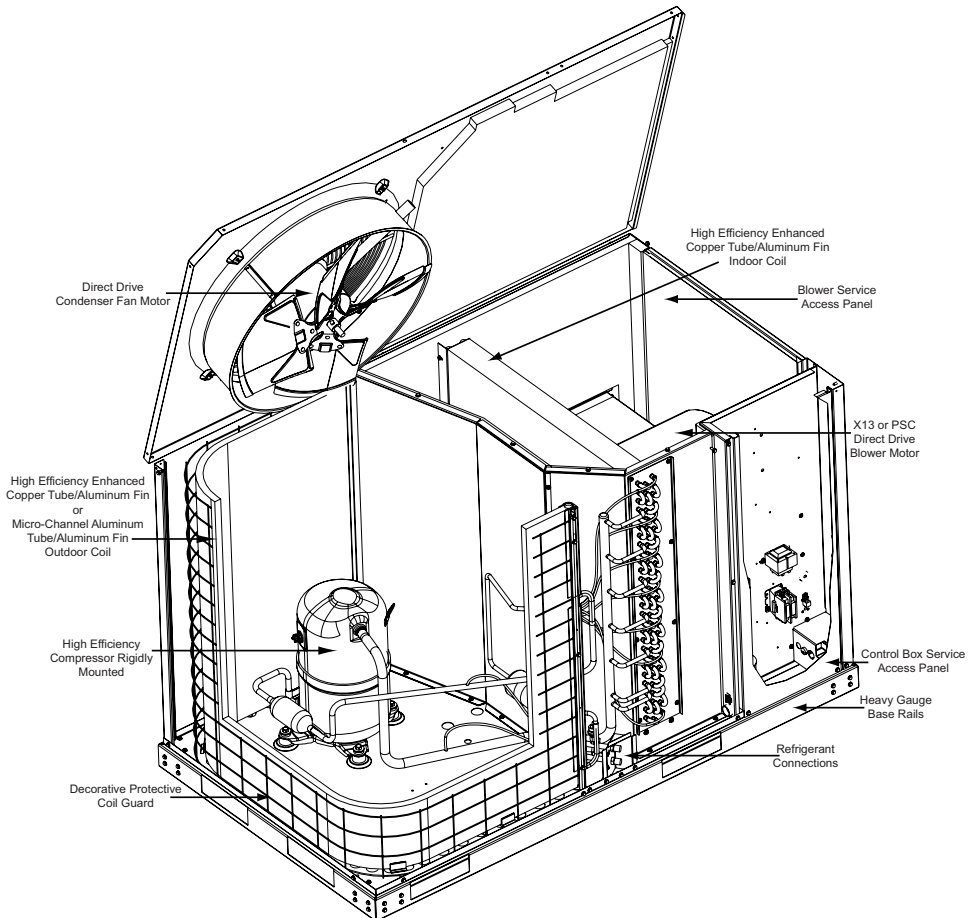


Table of Contents

Description	1
Table of Contents	2
Component Location	2
Nomenclature	3
Features and Benefits	3
Guide Specifications	4
Physical Data	6
Capacity Performance	9
Airflow Performance	35
Sound Performance	39
Electrical Data	39
Weights and Dimensions	49

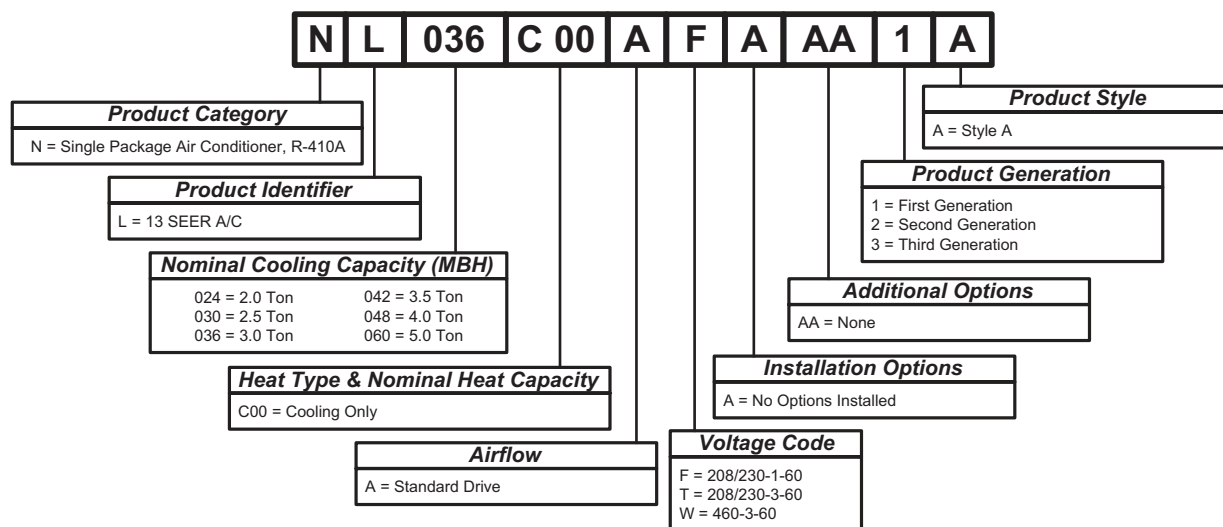
Component Location

Cooling Unit and Heat Pump

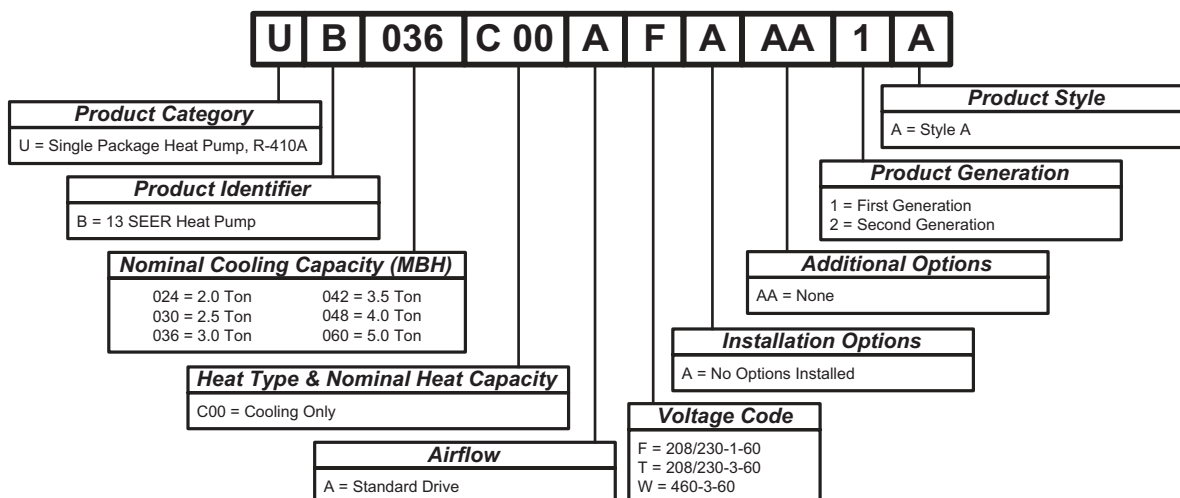


Nomenclature

Cooling Unit



Heat Pump



Features and Benefits

Standard Features

- Operating Efficiency** - All cooling units provide a SEER of 13.0.
All heat pump units provide operating efficiency of 13.0 SEER and 7.7 HSPF. All efficiencies meet legislated minimum levels.
- Lower Installation Cost** - Installation time and costs are reduced by easy power and control wiring connections. The small base dimension means less space is required on the ground or roof, plus, the installer can fit this unit between the wheel wells of full size pick-up truck. All models are well under 400 pounds.
All units are completely wired, charged with R-410A and tested prior to shipment. Unique test stations using a new

state of the art computerized process system are used to insure product quality. Refrigerant charge and component part numbers are verified via computers at assembly. Vital run test statistics such as system pressure, motor currents, air velocity and temperature, unit vibration, and gas system safeties are monitored and recorded by the system to insure unit performance.

Equal size, side supply and return duct connections allows easy hook-up of ducts to match low crawl spaces without transition pieces.

- Coil Technology** - All cooling units utilize Micro-Channel "all-aluminum" condensers which provide improved heat transfer capabilities, and reduced charge volumes. All evaporators utilize a conventional copper tube/aluminum fin design for proven reliability and performance.

- **Utility Connections Made Easy** - Electric utility knockouts are provided through the side of the unit. Utility connections can be made quickly and with a minimum amount of field labor. A field supplied and field installed electrical disconnect switch must be installed.
- **Round Duct Flanges** - (Factory Supplied - Field Installed) Equal size, side supply and return duct flanges allow easy hook-up of ducts.
- **Condensate Pan** - A non-corrosive, long-lasting, water-tight pan is positioned below the evaporator coil to collect and drain all condensate. Less collection of stagnate condensate will build-up. The condensate pan conforms to ASHRAE 62-89 standards (Ventilation for Acceptable Indoor Air Quality).
- **Condensate Drain** - The 3/4 inch NPTF connection is rigidly mounted to assure proper fit and leak tight seal.
- **Durable Finish** - The cabinet is made of pre-painted steel. The pre-treated galvanized steel provides a better paint to steel bond, which resists corrosion and rust creep. Special primer formulas and matted-textured finish insure less fading when exposed to sunlight.
- **Full Perimeter Base Rails** - The base rails provide a solid foundation for the entire unit and protects the unit during shipment. The rails provide fork lift access from all sides. On applications where the unit is placed on a pad, the base will keep the unit off the pad to deter corrosion.
- **More Attractive Appearance** - A single piece Water Shed top cover containing a top discharge condenser fan arrangement requires less square footage on installation and provides a wider variety of installations. The one piece design adds greater water integrity.
- **Top Discharge** - The top discharge condenser fan does not disrupt neighboring areas or dry-out vegetation surrounding the unit. The warm air from the top mounted fan is blown up away from the structure and any landscaping. This allows compact location on multi-unit applications.
- **Condenser Coil Grille** - All models utilize a decorative "Wire Form" coil guard to provide impact protection against large objects.
- **Low Operating Sound Level** - The upward air flow carries the normal operating noise up and away from the living area. The rigid top panel effectively isolates any motor sound. Isolator mounted compressor and the rippled fins of the condenser coil muffle the normal fan motor and compressor operating sounds.
- **Fan System** - 2, 2-1/2 and 3 Ton A/C models operate with a 3-speed PSC (Permanent Split Capacitor) fan motor. 4 and 5 Ton A/C and all Heat Pump models operate with a constant torque (X Motor) fan motor with 5 speed taps. All these units easily match all types of applications and provide greater on site flexibility to match comfort requirements.
- **Protected Compressor** - The compressor is internally protected against high pressure and temperature. This is accomplished by the simultaneous operation of high

pressure relief valve and a temperature sensor which protect the compressor if undesirable operating conditions occur.

- **Pressure Switches** - High pressure and low pressure/loss of charge switches standard in all units. On Heat Pump models, when abnormal conditions are sensed through the pressure switches, the unit will lock-out preventing further operation until reset or the problem is corrected.
- **Exclusive Coil Design** - Grooved copper tubes and enhanced aluminum fin construction on all indoor coils and heat pump outdoor coils improve heat transfer for maximum efficiency and durability or Micro-Channel aluminum tube, aluminum fin on all cooling outdoor coils for long lasting durability and efficient operation.
- **Low Maintenance** - Long life, permanently lubricated condenser and evaporator fan motor bearings need no annual maintenance adding greater reliability to the unit.
- **Secured Service Access Ports** - Protected, externally mounted, re-usable service access ports are provided on both the high and low lines for ease of evacuating and charging the system. No final field mounting required.
- **Easy Service Access** - A large, single panel covers the electrical controls makes servicing easy. The blower compartment has a large panel which when removed will allow the blower fan assembly to slide-out for ease of maintenance and trouble shooting.
- **Replacement Parts** - The installer requires no special training to replace any of the components of these units and does not need to maintain an inventory of unique parts.

Field Installed Accessories

- **Wall Thermostat** - The units are designed to operate with 24-volt electronic and electro-mechanical thermostats.
- **Electric Heat Kit** - Available in 4 different kW capacities (5, 7, 10 and 15 kW). (Single phase only)
- **Start Assist Kits** - Available for all models.
- **Outdoor Thermostat** - Available for all heat pump models.

Guide Specifications

GENERAL

Units shall be factory-assembled, single packaged, Electric Cooling units, designed for outdoor mounted installation. Units shall have minimum SEER ratings of 13.0. Heat pump 7.7 HSPF.

The units shall be factory wired, piped, charged with R-410A refrigerant and factory tested prior to shipment. All unit wiring shall be color coded.

All units shall be manufactured in a facility certified to ISO 9001 standards, and the cooling performance shall be rated in accordance with DOE and AHRI test procedures. Units shall be certified to UL 1995/CAN/CSA C22.2 No. 236 standards.

UNIT CABINET

1. Unit cabinet shall be constructed of G-90, pre-paint textured steel, certified at 500 hours salt spray test per ASTM-B117 standards.
2. The unit top shall be a single piece "Water Shed" design.
3. Unit shall have a rigidly mounted condenser coil guard to provide protection from objects and personnel after installation.
4. Indoor blower section shall be insulated with up to 3/4" thick insulation.
5. Cabinet panels shall be "large" size, easily removable for servicing and maintenance.
6. Unit shall be built on a formed, "Super-Structure" design base pan, with embossments at critical points to add strength, rigidity and aid in minimizing sound.
7. Full perimeter base rails shall be provided to assure reliable transit of equipment.
8. Condensate pan shall be internally sloped and conform to ASHARE 62-89 self-draining standards, with 3/4" NPTF ridged mount connection.

INDOOR (EVAPORATOR) FAN ASSEMBLY

1. Fan shall be direct drive, either 3 speed PSC (Permanent Split Capacitor) or 5 speed constant torque (X Motor) design.
2. Fan wheel shall be double-inlet type with forward-curved blades, dynamically balanced to operate smoothly throughout the entire range of operation. Airflow design shall be constant air volume.
3. Bearings shall be sealed and permanently lubricated for longer life and no maintenance.
4. Fan assembly shall be accessible via removable inlet ring.

OUTDOOR (CONDENSER) FAN ASSEMBLY

1. The outdoor fan shall be of the direct-driven propeller type, discharge air vertically, have aluminum blades riveted to corrosion resistant steel spider bracket and shall be statically balanced for smooth operation.
2. The outdoor fan motor shall be totally enclosed with permanently lubricated bearings and internally protected against overload conditions.

REFRIGERANT COMPONENTSCompressors:

- a. Shall be fully hermetic reciprocating, rotary or scroll type, direct drive, internally protected with internal high-pressure relief and over temperature protection. The hermetic motor shall be suction gas cooled and have a voltage range of + or - 10% of the unit nameplate voltage.

- b. Shall have internal isolation and sound muffling to minimize vibration and noise, and be externally isolated on a dedicated, independent mounting.

Coils:

- a. Evaporator coils shall have aluminum plate fins mechanically bonded to seamless internally enhanced copper tubes with all joints brazed.
- b. Evaporator coil shall be of the direct expansion, blow through design.
- c. Condenser coils shall have aluminum plate fins mechanically bonded to seamless internally enhanced copper tubes with all joints brazed or Micro-Channel aluminum tube, aluminum fins.
- d. Condenser coil shall be draw through design.

Refrigerant Circuit and Refrigerant Safety Components shall include:

- a. Independent fixed-orifice or TXV expansion devices.
- b. Filter/strainer to eliminate any foreign matter.
- c. Accessible service gage connections on both suction and discharge lines to charge, evacuate, and measure refrigerant pressure during any necessary servicing or troubleshooting, without losing charge and without disrupting condenser or evaporator air flow.

Unit Controls:

- a. Controls shall be mounted in a large control box, allowing easy access for trouble shooting and maintenance without affecting the normal system operation pressures.
- b. Unit shall have large, easily removable panels, covering electrical controls and compressor, allowing easy access for any necessary maintenance or servicing.

ELECTRIC HEATING SECTION

1. An electric heating section, with nickel chromium elements, shall be provided in a range of 5 thru 15 KW, single phase only.
2. The heating section shall have a primary limit control(s) and automatic reset, to prevent the heating element system from operating at an excessive temperature.
3. The heating section assembly shall slide out of the unit for easy maintenance and service.

UNIT OPERATING CHARACTERISTICS

1. Unit shall be capable of starting and running at 125° F outdoor temperature, exceeding maximum load criteria of AHRI Standard 210/240.
2. The compressor, with standard controls, shall be capable of cooling operation down to 45° F outdoor temperature.

ELECTRICAL REQUIREMENTS

All unit power wiring shall enter unit cabinet at a single factory provided location.

Separate openings shall be provided for the control wiring.

Physical Data

NL024-060 Physical Data

Component	Models					
	NL024	NL030	NL036	NL042	NL048	NL060
Nominal Tonnage	2.0	2.5	3.0	3.5	4.0	5.0
AHRI COOLING PERFORMANCE						
Gross Capacity @ AHRI A point (Btu)	24000	31500	37000	41400	48100	57000
AHRI net capacity (Btu)	23400	30200	35400	40200	46500	54500
EER	11	11.4	11	10.8	11.2	11
SEER	13	13	13	13	13	13
Nominal CFM	850	1000	1200	1150	1450	1700
System power (KW)	2.13	2.64	3.21	3.72	4.15	5.14
Refrigerant type	R-410A	R-410A	R-410A	R-410A	R-410A	R-410A
Refrigerant charge (lb-oz)						
System 1	4-0	4-6	4-8	4-8	4-12	4-11
DIMENSIONS (inches)						
Length	47-1/4	47-1/4	47-1/4	47-1/4	57-9/16	57-9/16
Width	32-13/16	32-13/16	32-13/16	32-13/16	32-13/16	32-13/16
Height	30-15/16	30-15/16	30-15/16	30-15/16	34-15/16	34-15/16
OPERATING WT. (lbs.)						
	276	279	315	315	357	350
COMPRESSORS						
Type	Scoll	Recip	Recip	Recip	Recip	Scroll
Quantity	1	1	1	1	1	1
CONDENSER COIL DATA						
Face area (Sq. Ft.)	11.2	11.2	11.2	11.2	15.1	15.1
Rows	1	1	1	1	1	1
Fins per inch	23	23	23	23	23	23
Tube diameter (in.)	.71/18	.71/18	.71/18	.71/18	.71/18	.71/18
Circuitry Type	2-pass Microchannel	2-pass Microchannel	2-pass Microchannel	2-pass Microchannel	2-pass Microchannel	2-pass Microchannel
EVAPORATOR COIL DATA						
Face area (Sq. Ft.)	4.67	4.67	4.67	4.67	5.44	5.44
Rows	3	3	4	4	3	4
Fins per inch	13	13	13	13	13	13
Tube diameter	3/8	3/8	3/8	3/8	3/8	3/8
Circuitry Type	Intertwined	Intertwined	Intertwined	Intertwined	Intertwined	Intertwined
Refrigerant control	Orifice	Orifice	Orifice	Orifice	Orifice	TXV
CONDENSER FAN DATA						
Quantity	1	1	1	1	1	1
Fan diameter (Inch)	20	20	20	20	22	22
Type	Prop	Prop	Prop	Prop	Prop	Prop
Drive type	Direct	Direct	Direct	Direct	Direct	Direct
No. speeds	1	1	1	1	1	1
Number of motors	1	1	1	1	1	1
Motor HP each	1/4	1/4	1/4	1/3	1/3	1/3
RPM	1100	1100	1100	1100	1100	1100
Nominal total CFM	2800	2800	2800	3000	3200	3200
DIRECT DRIVE EVAP FAN DATA						
Quantity	1	1	1	1	1	1
Fan Size (Inch)	10 x 7	10 x 7	10 x 7	10 x 7	11 x 10	11 x 10
Fan type	Centrifugal	Centrifugal	Centrifugal	Centrifugal	Centrifugal	Centrifugal
Drive type	Direct	Direct	Direct	Direct	Direct	Direct
No. speeds	3	3	3	5	5	5
Number of Motors	1	1	1	1	1	1
Motor HP each	1/2	1/2	1/2	1/2	1	1
RPM	1075	1075	1075	1100	1100	1100
Frame size	48	48	48	48	48	48
FILTERS						
Quantity - Size	-	-	-	-	-	-

UB024-060 Physical Data

Component	Models					
	UB024	UB030	UB036	UB042	UB048	UB060
Nominal Tonnage	2.0	2.5	3.0	3.5	4.0	5.0
AHRI COOLING PERFORMANCE						
Gross Capacity @ AHRI A point (Btu)	23220	28750	37000	44000	47500	54384
AHRI net capacity (Btu)	22600	28000	35200	42000	46000	53000
EER	11.2	11.2	11.2	11.0	10.8	10.8
SEER	13	13	13	13	13	13
Nominal CFM	900	1000	1200	1450	1600	1650
System power (KW)	2.02	2.50	3.16	3.82	4.18	4.84
Refrigerant type	R-410A	R-410A	R-410A	R-410A	R-410A	R-410A
Refrigerant charge (lb-oz)						
System 1	7-7	9-4	9-10	12-8	13-0	12-8
AHRI HEATING PERFORMANCE						
47°F Capacity Rating (MBH)	20000	26500	32000	38000	40000	50000
System Power KW/COP	1720/3.4	2386/3.25	2930/3.2	3480/3.20	3663/3.20	4523/3.25
17°F Capacity Rating (MBH)	11000	14800	18400	22000	24000	29200
System Power KW/COP	1610/2.00	2122/2.04	2598/2.04	3224/2.0	3517/2.0	4057/2.10
HSPF BTU/Watts-hr	7.7	7.7	7.7	7.7	7.7	7.7
DIMENSIONS (inches)						
Length	47-1/4	47-1/4	47-1/4	57-9/16	57-9/16	57-9/16
Width	32-13/16	32-13/16	32-13/16	32-13/16	32-13/16	32-13/16
Height	30-15/16	30-15/16	30-15/16	34-15/16	34-15/16	34-15/16
OPERATING WT. (lbs.)	325	340	340	372	382	390
COMPRESSORS						
Type	Scroll	Scroll	Scroll	Scroll	Scroll	Scroll
Quantity	1	1	1	1	1	1
CONDENSER COIL DATA						
Face area (Sq. Ft.)	11.1	11.28	11.28	16	16	20
Rows	1	2	2	2	2	2
Fins per inch	20	15	20	15	15	20
Tube diameter (in.)	3/8	3/8	3/8	3/8	3/8	3/8
Circuitry Type	Intertwined	Intertwined	Intertwined	Intertwined	Intertwined	Intertwined
Refrigerant Control	TXV	TXV	TXV	TXV	TXV	TXV
EVAPORATOR COIL DATA						
Face area (Sq. Ft.)	4.67	4.67	4.67	5.44	5.44	5.44
Rows	3	3	3	4	4	4
Fins per inch	13	13	16	13	13	13
Tube diameter	3/8	3/8	3/8	3/8	3/8	3/8
Circuitry Type	Intertwined	Intertwined	Intertwined	Intertwined	Intertwined	Intertwined
Refrigerant control	Orifice	Orifice	Orifice	Orifice	Orifice	TXV
CONDENSER FAN DATA						
Quantity	1	1	1	1	1	1
Fan diameter (Inch)	20	20	20	22	22	22
Fan type	Prop	Prop	Prop	Prop	Prop	Prop
Drive type	Direct	Direct	Direct	Direct	Direct	Direct
No. speeds	1	1	1	1	1	1
Number of motors	1	1	1	1	1	1
Motor HP each	1/4	1/4	1/4	1/3	1/3	1/3
RPM	850	850	1100	1100	1100	1100
Nominal total CFM	2500	2500	2850	3200	3200	3200
DIRECT DRIVE EVAP FAN DATA						
Quantity	1	1	1	1	1	1
Fan diameter (Inch)	10 x 7	10 x 7	10 x 7	11 x 10	11 x 10	11 x 10
Fan type	Centrifugal	Centrifugal	Centrifugal	Centrifugal	Centrifugal	Centrifugal
Drive type	Direct	Direct	Direct	Direct	Direct	Direct
No. speeds	5	5	5	5	5	5
Number of motors	1	1	1	1	1	1
Motor HP each	1/2	1/2	1/2	1	1	1
RPM	1100	1100	1100	1100	1100	1100
Frame size	48	48	48	48	48	48
FILTERS						
Size / Quantity	-	-	-	-	-	-

NL and UB Unit Limitations

Size (Tons)	Model	Unit Voltage	Unit Limitations		
			Applied Voltage		Outdoor DB Temp
			Min	Max	Max (°F)
024 (2.0)	NL	208/230-1-60	187	252	125
	UB				
030 (2.5)	NL	208/230-1-60	187	252	125
	UB				
036 (3.0)	NL	208/230-1-60	187	252	125
	UB	208/230-3-60	187	252	125
042 (3.5)	NL	208/230-1-60	187	252	125
	UB				
048 (4.0)	NL UB	208/230-1-60	187	252	125
		208/230-3-60	187	252	125
		460-3-60	432	504	125
060 (5.0)	NL UB	208/230-1-60	187	252	125
		208/230-3-60	187	252	125
		460-3-60	432	504	125

Capacity Performance

NM024-060 Cooling Capacities

NM024 (2.0 Ton)

Air on Evaporator Coil		Temperature of Air on Condenser Coil																	
CFM	WB (°F)	Total Capacity ¹ (MBh)	Total Input (kW) ²	Sensible Capacity (MBh)								Total Capacity ¹ (MBh)	Total Input (kW) ²	Sensible Capacity (MBh)					
				Return Dry Bulb (°F)										Return Dry Bulb (°F)					
				90	85	80	75	70	65	90	85			80	75	70	65		
				75°F								85°F							
500	77	28.7	1.3	13.5	10.7	8.5	-	-	-	27.4	1.5	12.4	10.2	7.9	-	-	-		
	72	26.5	1.3	16.3	14.0	11.8	9.6	-	-	25.1	1.5	15.6	13.4	11.2	9.0	-	-		
	67	24.3	1.3	19.0	17.3	15.1	12.9	10.7	-	22.8	1.5	18.8	16.6	14.4	12.2	10.0	-		
	62	22.3	1.3	22.3	22.3	18.5	16.3	14.1	11.9	20.9	1.4	20.9	20.9	17.5	15.3	13.1	10.9		
600	77	29.6	1.3	14.3	11.8	9.3	-	-	-	28.3	1.5	13.8	11.2	8.7	-	-	-		
	72	27.4	1.3	17.9	15.4	12.9	10.3	-	-	25.9	1.5	17.3	14.8	12.2	9.7	-	-		
	67	25.2	1.3	21.5	19.0	16.5	13.9	11.4	-	23.5	1.5	20.8	18.3	15.8	13.2	10.7	-		
	62	23.1	1.3	23.1	23.1	20.2	17.7	15.1	12.6	21.5	1.4	21.5	21.5	19.1	16.5	14.0	11.5		
700	77	30.6	1.3	15.1	12.8	10.0	-	-	-	29.2	1.5	15.2	12.3	9.4	-	-	-		
	72	28.3	1.3	19.6	16.8	13.9	11.1	-	-	26.7	1.5	19.0	16.1	13.2	10.4	-	-		
	67	26.0	1.3	24.1	20.7	17.8	15.0	12.1	-	24.2	1.5	22.8	20.0	17.1	14.2	11.3	-		
	62	23.9	1.3	23.9	23.9	21.8	19.0	16.2	13.3	22.2	1.5	22.2	22.2	20.7	17.8	14.9	12.1		
800	77	31.6	1.3	15.9	13.9	10.8	-	-	-	30.0	1.5	16.6	13.3	10.1	-	-	-		
	72	29.2	1.3	21.3	18.1	15.0	11.8	-	-	27.5	1.5	20.7	17.5	14.3	11.1	-	-		
	67	26.8	1.3	26.6	22.3	19.2	16.0	12.9	-	24.9	1.5	24.8	21.6	18.4	15.2	12.0	-		
	62	24.6	1.3	24.6	24.6	23.5	20.4	17.2	14.1	22.9	1.5	22.9	22.9	22.3	19.1	15.9	12.7		
900	77	32.9	1.3	16.6	14.6	11.5	-	-	-	31.3	1.5	17.5	15.1	11.9	-	-	-		
	72	30.6	1.3	22.0	18.8	15.7	12.5	-	-	28.8	1.5	22.0	19.1	15.9	12.7	-	-		
	67	28.3	1.3	27.3	23.5	20.1	16.8	13.4	-	25.4	1.5	25.3	22.9	19.4	16.0	12.5	-		
	62	26.1	1.3	25.2	25.2	24.6	21.2	17.8	14.4	23.3	1.5	23.3	23.3	23.0	19.5	16.1	12.6		
1000	77	34.0	1.3	17.5	15.5	12.4	-	-	-	32.4	1.5	18.6	16.4	13.2	-	-	-		
	72	31.7	1.3	22.8	19.6	16.7	13.5	-	-	29.9	1.5	22.8	20.0	16.8	13.6	-	-		
	67	29.4	1.3	28.1	24.5	21.1	17.5	13.9	-	25.8	1.5	25.8	24.2	20.4	16.7	13.0	-		
	62	27.2	1.3	25.7	25.7	25.7	22.0	18.4	14.8	23.7	1.5	23.7	23.7	23.7	20.0	16.2	12.5		
500	77	26.2	1.7	11.2	9.6	7.4	-	-	-	24.4	1.9	10.4	8.7	6.7	-	-	-		
	72	23.7	1.7	14.9	12.8	10.6	8.4	-	-	21.8	1.9	14.2	12.0	9.8	7.6	-	-		
	67	21.2	1.6	18.7	15.9	13.7	11.5	9.4	-	19.2	1.9	17.9	15.2	12.9	10.7	8.5	-		
	62	19.4	1.6	19.4	19.4	16.4	14.2	12.0	9.9	17.3	1.9	17.3	17.3	14.3	12.2	10.0	7.8		
600	77	26.9	1.7	13.2	10.6	8.1	-	-	-	25.0	2.0	12.9	10.0	7.4	-	-	-		
	72	24.4	1.7	16.7	14.1	11.6	9.0	-	-	22.3	1.9	15.9	13.3	10.8	8.2	-	-		
	67	21.8	1.7	20.1	17.6	15.0	12.5	9.9	-	19.7	1.9	18.8	16.7	14.1	11.6	9.0	-		
	62	20.0	1.6	20.0	20.0	18.0	15.4	12.9	10.3	17.7	1.9	17.7	17.7	15.8	13.2	10.6	8.1		
700	77	27.7	1.7	15.2	11.7	8.8	-	-	-	25.6	2.0	15.5	11.2	8.1	-	-	-		
	72	25.1	1.7	18.4	15.5	12.6	9.7	-	-	22.9	2.0	17.6	14.7	11.8	8.8	-	-		
	67	22.4	1.7	21.6	19.3	16.3	13.4	10.5	-	20.2	2.0	19.8	18.2	15.4	12.5	9.5	-		
	62	20.5	1.6	20.5	20.5	19.5	16.6	13.7	10.8	18.2	1.9	18.2	18.2	17.2	14.3	11.3	8.4		
800	77	28.5	1.7	17.2	12.8	9.5	-	-	-	26.2	2.0	18.0	12.5	8.8	-	-	-		
	72	25.8	1.7	20.1	16.8	13.6	10.3	-	-	23.4	2.0	19.3	16.0	12.7	9.4	-	-		
	67	23.0	1.7	23.0	20.9	17.6	14.4	11.1	-	20.7	2.0	20.7	19.6	16.7	13.4	10.1	-		
	62	21.1	1.7	21.1	21.1	21.1	17.8	14.5	11.3	18.6	1.9	18.6	18.6	18.6	15.3	12.0	8.7		
900	77	29.1	1.7	16.1	12.1	8.9	-	-	-	27.7	2.0	16.1	11.7	8.5	-	-	-		
	72	26.5	1.7	19.0	15.1	11.8	8.6	-	-	25.1	2.0	18.0	14.1	10.9	8.0	-	-		
	67	23.4	1.7	23.4	22.3	18.7	15.2	11.6	-	21.0	2.0	21.0	20.4	17.8	14.2	10.6	-		
	62	21.4	1.7	21.4	21.4	21.4	17.9	14.3	10.8	18.9	1.9	18.9	18.9	18.9	15.3	11.7	8.1		
1000	77	30.1	1.7	17.5	13.5	10.3	-	-	-	28.1	2.0	17.5	12.9	9.7	-	-	-		
	72	27.5	1.7	20.4	16.4	13.2	10.0	-	-	25.5	2.0	19.4	15.4	12.1	9.0	-	-		
	67	24.3	1.7	24.3	21.8	18.4	15.0	11.6	-	22.2	1.9	20.0	19.8	16.2	12.6	9.0	-		
	62	22.1	1.7	22.1	22.1	22.1	18.3	14.4	10.6	20.3	1.9	20.3	20.3	20.3	16.4	12.5	8.6		

NM024 (2.0 Ton) (Continued)

Air on Evaporator Coil		Temperature of Air on Condenser Coil																	
CFM	WB (°F)	Total Capacity ¹ (MBh)	Total Input (kW) ²	Sensible Capacity (MBh)						Total Capacity ¹ (MBh)	Total Input (kW) ²	Sensible Capacity (MBh)							
				Return Dry Bulb (°F)								Return Dry Bulb (°F)							
				90	85	80	75	70	65			90	85	80	75	70	65		
		115°F						125°F											
500	77	22.5	2.2	9.6	7.9	6.1	-	-	-	20.7	2.4	10.1	6.5	5.4	-	-	-		
	72	19.9	2.2	13.4	11.2	9.0	6.9	-	-	17.9	2.5	12.6	10.4	8.3	6.1	-	-		
	67	17.2	2.2	17.2	14.6	12.0	9.8	7.6	-	15.2	2.5	15.2	14.1	11.1	8.9	6.7	-		
	62	15.1	2.2	15.1	15.1	12.3	10.1	7.9	5.7	13.0	2.4	13.0	13.0	10.2	8.0	5.8	3.6		
600	77	23.0	2.2	12.7	9.3	6.7	-	-	-	21.1	2.5	13.3	8.6	6.1	-	-	-		
	72	20.3	2.2	15.1	12.5	10.0	7.4	-	-	18.2	2.5	14.3	11.8	9.2	6.6	-	-		
	67	17.5	2.2	17.5	15.8	13.2	10.7	8.1	-	15.4	2.5	15.4	14.9	12.3	9.7	7.2	-		
	62	15.5	2.2	15.5	15.5	13.5	11.0	8.4	5.8	13.2	2.5	13.2	13.2	11.3	8.8	6.2	3.6		
	57	17.1	2.2	17.1	17.1	14.7	12.2	9.6	7.0	15.6	2.5	15.6	15.6	13.1	10.6	8.0	5.4		
700	77	23.5	2.2	15.8	10.7	7.4	-	-	-	21.4	2.5	16.5	10.8	6.7	-	-	-		
	72	20.7	2.2	16.8	13.9	10.9	8.0	-	-	18.5	2.5	16.1	13.1	10.1	7.1	-	-		
	67	17.9	2.2	17.9	17.0	14.5	11.5	8.6	-	15.7	2.5	15.7	15.7	13.6	10.6	7.6	-		
	62	15.8	2.2	15.8	15.8	14.8	11.9	8.9	6.0	13.4	2.5	13.4	13.4	12.5	9.5	6.5	3.6		
	57	17.5	2.2	17.5	17.5	16.1	13.2	10.2	7.3	15.8	2.5	15.8	15.8	14.5	11.5	8.5	5.5		
800	77	24.0	2.3	18.8	12.2	8.0	-	-	-	21.8	2.5	19.7	12.9	7.3	-	-	-		
	72	21.1	2.3	18.6	15.2	11.9	8.5	-	-	18.8	2.5	17.8	14.4	11.0	7.7	-	-		
	67	18.3	2.3	18.3	18.3	15.7	12.4	9.1	-	15.9	2.5	15.9	15.9	14.8	11.4	8.0	-		
	62	16.1	2.2	16.1	16.1	16.1	12.8	9.4	6.1	13.6	2.5	13.6	13.6	13.6	10.3	6.9	3.5		
	57	17.9	2.2	17.9	17.9	17.5	14.2	10.8	7.5	16.1	2.5	16.1	16.1	15.8	12.4	9.0	5.7		
900	72	21.5	2.2	20.1	16.4	12.7	9.0	-	-	19.2	2.5	19.2	15.6	11.9	8.2	-	-		
	67	18.6	2.2	18.6	18.6	16.9	13.2	9.5	-	16.3	2.5	16.3	16.3	15.9	12.2	8.5	-		
	62	16.4	2.2	16.4	16.4	16.4	12.8	9.1	5.4	13.9	2.5	13.9	13.9	13.9	10.2	6.5	2.7		
	57	18.2	2.2	18.2	18.2	18.0	14.4	10.7	7.0	16.4	2.5	16.4	16.4	16.3	12.5	8.8	5.1		
1000	72	21.9	2.2	21.6	17.6	13.6	9.6	-	-	19.6	2.5	19.6	16.8	12.7	8.6	-	-		
	67	19.0	2.2	19.0	19.0	18.0	14.0	10.0	-	16.6	2.5	16.6	16.6	16.6	13.0	8.9	-		
	62	16.7	2.2	16.7	16.7	16.7	12.7	8.7	4.7	14.2	2.5	14.2	14.2	14.2	10.1	6.1	2.0		
	57	18.5	2.2	18.5	18.5	18.5	14.5	10.5	6.5	16.8	2.4	16.8	16.8	16.8	12.7	8.6	4.5		

1. These capacities are Net capacities.
2. These ratings include the compressor, condenser fan and supply air blower motors.

NM030 (2.5 Ton)

Air on Evaporator Coil		Temperature of Air on Condenser Coil																	
CFM	WB (°F)	Total Capacity ¹ (MBh)	Total Input (kW) ²	Sensible Capacity (MBh)						Total Capacity ¹ (MBh)	Total Input (kW) ²	Sensible Capacity (MBh)							
				Return Dry Bulb (°F)								Return Dry Bulb (°F)							
				90	85	80	75	70	65			90	85	80	75	70	65		
				75°F								85°F							
675	77	40.4	2.2	17.2	14.5	11.8	-	-	-	37.9	2.4	16.5	13.7	11.0	-	-	-		
	72	37.2	2.2	21.6	18.9	16.2	13.5	-	-	34.4	2.4	20.7	17.9	15.2	12.4	-	-		
	67	34.1	2.1	26.0	23.3	20.6	17.9	15.2	-	30.9	2.3	24.9	22.1	19.4	16.6	13.9	-		
	62	30.8	2.1	30.8	29.8	24.9	22.2	19.5	16.8	27.2	2.3	27.2	26.7	23.4	20.6	17.9	15.1		
750	77	41.6	2.2	18.3	15.4	12.5	-	-	-	39.0	2.4	17.5	14.6	11.6	-	-	-		
	72	38.4	2.2	23.0	20.1	17.1	14.2	-	-	35.5	2.4	22.0	19.0	16.0	13.0	-	-		
	67	35.2	2.2	27.7	24.7	21.8	18.8	15.9	-	31.9	2.4	26.4	23.4	20.5	17.5	14.5	-		
	62	31.8	2.1	31.8	31.1	26.3	23.4	20.4	17.5	28.0	2.3	28.0	27.7	24.7	21.7	18.7	15.7		
57	29.1	2.1	29.1	29.1	27.9	25.0	22.0	19.1	26.5	2.3	26.5	26.5	25.4	22.5	19.5	16.5			
825	77	42.9	2.2	19.5	16.3	13.1	-	-	-	40.2	2.5	18.6	15.4	12.2	-	-	-		
	72	39.6	2.2	24.4	21.2	18.0	14.9	-	-	36.5	2.4	23.3	20.1	16.9	13.6	-	-		
	67	36.3	2.2	29.3	26.1	22.9	19.8	16.6	-	32.8	2.4	28.0	24.8	21.5	18.3	15.1	-		
	62	32.8	2.2	32.8	32.4	27.7	24.5	21.3	18.2	28.9	2.4	28.9	28.7	26.0	22.8	19.5	16.3		
57	30.0	2.2	30.0	30.0	29.4	26.2	23.0	19.9	27.3	2.4	27.3	27.3	26.8	23.6	20.3	17.1			
900	77	44.2	2.3	20.6	17.2	13.8	-	-	-	41.4	2.5	19.7	16.2	12.8	-	-	-		
	72	40.8	2.3	25.7	22.3	18.9	15.5	-	-	37.6	2.5	24.6	21.1	17.7	14.2	-	-		
	67	37.4	2.2	30.9	27.5	24.1	20.7	17.3	-	33.8	2.4	29.5	26.1	22.6	19.2	15.7	-		
	62	33.7	2.2	33.7	33.7	29.1	25.6	22.2	18.8	29.7	2.4	29.7	29.7	27.3	23.8	20.4	16.9		
57	30.9	2.2	30.9	30.9	30.9	27.4	24.0	20.6	28.1	2.4	28.1	28.1	28.1	24.7	21.2	17.8			
1075	72	42.0	2.3	29.1	24.9	20.7	16.5	-	-	38.7	2.6	27.6	23.5	19.4	15.3	-	-		
	67	38.5	2.3	35.2	30.5	26.3	22.1	17.9	-	34.8	2.5	32.6	28.9	24.8	20.7	16.6	-		
	62	34.7	2.3	34.7	34.7	32.4	28.2	24.0	19.8	30.6	2.5	30.6	30.6	29.3	25.2	21.1	17.0		
	57	31.7	2.3	31.7	31.7	31.7	27.5	23.3	19.1	28.9	2.5	28.9	28.9	28.9	24.8	20.7	16.6		
1250	72	43.1	2.4	32.5	27.5	22.5	17.5	-	-	39.8	2.6	30.6	25.8	21.1	16.3	-	-		
	67	39.5	2.4	39.5	33.6	28.6	23.6	18.6	-	35.7	2.6	35.7	31.7	26.9	22.2	17.4	-		
	62	35.7	2.4	35.7	35.7	35.7	30.7	25.7	20.7	31.4	2.6	31.4	31.4	31.4	26.6	21.9	17.1		
	57	32.6	2.4	32.6	32.6	32.6	27.6	22.6	17.6	29.7	2.6	29.7	29.7	29.7	25.0	20.2	15.4		
				95°F								105°F							
675	77	35.4	2.6	15.7	12.9	10.1	-	-	-	32.4	2.8	14.6	11.7	8.9	-	-	-		
	72	31.5	2.6	19.7	16.9	14.1	11.3	-	-	28.3	2.8	18.4	15.6	12.8	10.0	-	-		
	67	27.7	2.5	23.8	21.0	18.1	15.3	12.5	-	24.2	2.7	22.3	19.6	16.8	14.0	11.1	-		
	62	23.5	2.5	23.5	23.5	21.9	19.1	16.3	13.4	20.8	2.7	20.8	20.8	18.6	15.8	13.0	10.2		
750	77	36.4	2.6	16.7	13.7	10.7	-	-	-	33.0	2.9	16.0	12.4	9.3	-	-	-		
	72	32.5	2.6	21.0	17.9	14.9	11.9	-	-	28.9	2.8	19.6	16.5	13.5	10.5	-	-		
	67	28.5	2.6	25.2	22.2	19.1	16.1	13.1	-	24.7	2.8	23.1	20.7	17.6	14.6	11.6	-		
	62	24.2	2.5	24.2	24.2	23.1	20.0	17.0	14.0	21.2	2.7	21.2	21.2	19.6	16.5	13.5	10.5		
57	23.9	2.5	23.9	23.9	23.0	19.9	16.9	13.9	20.6	2.7	20.6	20.6	19.5	16.5	13.4	10.4			
825	77	37.5	2.7	17.8	14.5	11.2	-	-	-	33.7	2.9	17.5	13.1	9.8	-	-	-		
	72	33.4	2.6	22.2	18.9	15.7	12.4	-	-	29.4	2.9	20.7	17.4	14.2	10.9	-	-		
	67	29.4	2.6	26.7	23.4	20.1	16.9	13.6	-	25.2	2.8	23.9	21.8	18.5	15.3	12.0	-		
	62	24.9	2.6	24.9	24.9	24.3	21.0	17.7	14.5	21.6	2.7	21.6	21.6	20.6	17.3	14.0	10.8		
57	24.6	2.6	24.6	24.6	24.2	20.9	17.6	14.4	21.0	2.8	21.0	21.0	20.5	17.2	13.9	10.7			
900	77	38.6	2.7	18.8	15.3	11.8	-	-	-	34.3	3.0	19.0	13.8	10.3	-	-	-		
	72	34.4	2.7	23.4	19.9	16.5	13.0	-	-	30.0	2.9	21.8	18.3	14.8	11.3	-	-		
	67	30.2	2.6	28.1	24.6	21.1	17.6	14.1	-	25.7	2.8	24.7	22.9	19.4	15.9	12.4	-		
	62	25.7	2.6	25.7	25.7	25.5	22.0	18.5	15.0	22.1	2.8	22.1	22.1	21.5	18.1	14.6	11.1		
57	25.4	2.6	25.4	25.4	25.4	21.9	18.4	14.9	21.4	2.8	21.4	21.4	21.4	18.0	14.5	11.0			
1075	72	35.4	2.8	26.1	22.1	18.0	14.0	-	-	31.1	3.0	24.5	20.4	16.4	12.4	-	-		
	67	31.1	2.7	30.0	27.2	23.2	19.2	15.2	-	26.6	2.9	26.1	24.7	21.4	17.4	13.4	-		
	62	26.4	2.7	26.4	26.4	26.3	22.3	18.3	14.3	22.8	2.9	22.8	22.8	22.6	18.5	14.5	10.5		
	57	26.1	2.7	26.1	26.1	26.1	22.1	18.1	14.1	22.2	2.9	22.2	22.2	22.2	18.2	14.1	10.1		
1250	72	36.4	2.9	28.7	24.2	19.6	15.1	-	-	32.1	3.1	27.2	22.6	18.0	13.4	-	-		
	67	31.9	2.8	31.9	29.8	25.2	20.7	16.2	-	27.5	3.0	27.5	26.4	23.5	18.9	14.3	-		
	62	27.1	2.8	27.1	27.1	27.1	22.6	18.1	13.6	23.6	3.0	23.6	23.6	23.6	19.0	14.4	9.8		
	57	26.8	2.8	26.8	26.8	26.8	22.3	17.8	13.3	23.0	3.0	23.0	23.0	23.0	18.4	13.8	9.2		

NM030 (2.5 Ton) (Continued)

Air on Evaporator Coil		Temperature of Air on Condenser Coil															
CFM	WB (°F)	Total Capacity ¹ (MBh)	Total Input (kW) ²	Sensible Capacity (MBh)						Total Capacity ¹ (MBh)	Total Input (kW) ²	Sensible Capacity (MBh)					
				Return Dry Bulb (°F)								Return Dry Bulb (°F)					
				90	85	80	75	70	65			90	85	80	75	70	65
		115°F						125°F									
675	77	29.5	3.1	13.4	10.4	7.6	-	-	-	26.5	3.3	14.2	8.6	6.4	-	-	-
	72	25.1	3.0	17.1	14.3	11.5	8.7	-	-	21.9	3.2	15.8	13.0	10.2	7.4	-	-
	67	20.8	2.9	20.8	18.2	15.4	12.6	9.8	-	17.4	3.1	17.4	17.4	14.0	11.2	8.4	-
	62	18.1	2.8	18.1	18.1	15.3	12.5	9.7	6.9	15.4	3.0	15.4	15.4	12.0	9.2	6.4	3.6
750	77	29.6	3.1	15.3	11.0	8.0	-	-	-	26.3	3.3	16.3	10.2	6.7	-	-	-
	72	25.3	3.0	18.1	15.1	12.1	9.0	-	-	21.7	3.2	16.7	13.7	10.7	7.6	-	-
	67	20.9	2.9	20.9	19.2	16.1	13.1	10.1	-	17.1	3.1	17.1	17.1	14.6	11.6	8.6	-
	62	18.2	2.9	18.2	18.2	16.1	13.0	10.0	7.0	15.2	3.1	15.2	15.2	12.6	9.6	6.5	3.5
	57	17.3	2.9	17.3	17.3	16.0	13.0	10.0	6.9	14.0	3.1	14.0	14.0	12.5	9.5	6.5	3.5
825	77	29.8	3.1	17.3	11.6	8.4	-	-	-	26.0	3.4	18.4	11.9	7.0	-	-	-
	72	25.5	3.1	19.2	15.9	12.6	9.4	-	-	21.5	3.3	17.6	14.4	11.1	7.9	-	-
	67	21.1	3.0	21.1	20.2	16.9	13.6	10.4	-	16.9	3.2	16.9	16.9	15.3	12.0	8.8	-
	62	18.3	2.9	18.3	18.3	16.8	13.6	10.3	7.1	15.0	3.1	15.0	15.0	13.1	9.9	6.6	3.4
	57	17.4	3.0	17.4	17.4	16.8	13.5	10.3	7.0	13.8	3.2	13.8	13.8	13.1	9.8	6.6	3.3
900	77	30.0	3.2	19.2	12.3	8.8	-	-	-	25.7	3.4	20.4	13.5	7.3	-	-	-
	72	25.6	3.1	20.2	16.7	13.2	9.7	-	-	21.2	3.3	18.6	15.1	11.6	8.1	-	-
	67	21.2	3.0	21.2	21.2	17.7	14.2	10.7	-	16.7	3.2	16.7	16.7	15.9	12.5	9.0	-
	62	18.5	3.0	18.5	18.5	17.6	14.1	10.6	7.2	14.9	3.2	14.9	14.9	13.7	10.2	6.7	3.2
	57	17.5	3.0	17.5	17.5	17.5	14.1	10.6	7.1	13.6	3.2	13.6	13.6	13.6	10.2	6.7	3.2
1075	72	26.8	3.2	22.9	18.8	14.7	10.7	-	-	22.4	3.4	21.3	17.2	13.1	9.0	-	-
	67	22.1	3.1	22.1	22.1	19.7	15.6	11.5	-	17.7	3.3	17.7	17.7	17.7	13.9	9.7	-
	62	19.3	3.1	19.3	19.3	18.9	14.8	10.7	6.6	15.7	3.3	15.7	15.7	15.1	11.0	6.9	2.8
	57	18.3	3.1	18.3	18.3	18.3	14.2	10.2	6.1	14.4	3.3	14.4	14.4	14.4	10.3	6.2	2.1
1250	72	27.9	3.3	25.6	20.9	16.3	11.6	-	-	23.7	3.6	23.7	19.3	14.6	9.8	-	-
	67	23.1	3.2	23.1	23.1	21.7	17.1	12.4	-	18.7	3.4	18.7	18.7	18.7	15.2	10.5	-
	62	20.1	3.2	20.1	20.1	20.1	15.4	10.8	6.1	16.6	3.4	16.6	16.6	16.6	11.8	7.1	2.3
	57	19.1	3.2	19.1	19.1	19.1	14.4	9.8	5.1	15.3	3.4	15.3	15.3	15.3	10.5	5.7	1.0

1. These capacities are Net capacities.
2. These ratings include the compressor, condenser fan and supply air blower motors.

NM036 (3.0 Ton)

Air on Evaporator Coil		Temperature of Air on Condenser Coil																	
CFM	WB (°F)	Total Capacity ¹ (MBh)	Total Input (kW) ²	Sensible Capacity (MBh)						Total Capacity ¹ (MBh)	Total Input (kW) ²	Sensible Capacity (MBh)							
				Return Dry Bulb (°F)								Return Dry Bulb (°F)							
				90	85	80	75	70	65			90	85	80	75	70	65		
				75°F						85°F									
750	77	49.2	2.7	22.2	18.5	15.2	-	-	-	45.1	2.9	19.7	16.5	13.2	-	-	-		
	72	44.4	2.6	26.7	23.4	20.2	16.9	-	-	40.7	2.8	24.7	21.4	18.2	14.9	-	-		
	67	39.7	2.6	31.2	28.4	25.1	21.9	18.6	-	36.3	2.8	29.7	26.4	23.2	19.9	16.6	-		
	62	35.0	2.6	35.0	30.9	27.9	24.6	21.4	18.2	32.2	2.8	32.2	28.1	24.9	21.6	18.4	15.1		
900	77	50.2	2.7	23.4	19.6	15.8	-	-	-	46.2	2.9	21.5	17.8	14.0	-	-	-		
	72	45.4	2.6	28.5	24.7	20.9	17.2	-	-	41.7	2.9	26.8	23.0	19.2	15.4	-	-		
	67	40.6	2.6	33.6	29.8	26.0	22.3	18.5	-	37.1	2.8	32.1	28.3	24.5	20.7	16.9	-		
	62	35.7	2.6	35.7	32.7	28.9	25.2	21.4	17.6	33.0	2.8	33.0	30.1	26.3	22.5	18.7	14.9		
1050	77	51.3	2.7	24.6	20.7	16.4	-	-	-	47.3	3.0	23.4	19.0	14.7	-	-	-		
	72	46.3	2.7	30.2	26.0	21.7	17.4	-	-	42.6	2.9	28.9	24.6	20.2	15.9	-	-		
	67	41.4	2.6	35.9	31.2	26.9	22.6	18.3	-	38.0	2.9	34.5	30.1	25.8	21.4	17.1	-		
	62	36.5	2.6	36.5	34.5	30.0	25.7	21.4	17.1	33.7	2.9	33.7	30.0	27.7	23.3	19.0	14.7		
1200	77	52.3	2.7	25.8	21.8	17.0	-	-	-	48.3	3.0	25.2	20.3	15.4	-	-	-		
	72	47.3	2.7	32.0	27.2	22.4	17.6	-	-	43.6	3.0	31.0	26.1	21.3	16.4	-	-		
	67	42.3	2.7	38.3	32.6	27.8	23.0	18.2	-	38.8	2.9	36.9	32.0	27.1	22.2	17.3	-		
	62	37.2	2.7	37.2	36.2	31.0	26.2	21.4	16.6	34.5	2.9	34.5	34.0	29.1	24.2	19.3	14.4		
1350	77	48.9	2.8	34.7	29.4	24.2	18.9	-	-	44.8	3.0	33.5	28.2	22.8	17.4	-	-		
	72	43.7	2.7	41.7	35.3	30.0	24.7	19.5	-	39.9	3.0	38.9	34.4	29.0	23.6	18.2	-		
	67	38.5	2.7	38.5	38.0	33.4	28.2	22.9	17.6	35.4	3.0	35.4	35.2	31.2	25.8	20.4	15.0		
	62	35.3	2.7	35.3	35.3	30.1	24.8	19.5	-	32.0	3.0	32.0	32.0	32.0	26.6	21.2	15.8		
1500	77	50.4	2.9	37.4	31.6	25.9	20.2	-	-	46.0	3.1	36.1	30.2	24.3	18.4	-	-		
	72	45.1	2.8	45.1	37.9	32.2	26.5	20.7	-	41.0	3.1	41.0	36.8	30.9	25.0	19.2	-		
	67	39.7	2.8	39.7	39.7	35.8	30.1	24.4	18.7	36.4	3.0	36.4	36.4	33.2	27.3	21.5	15.6		
	62	36.5	2.8	36.5	36.5	30.7	25.0	19.3	-	32.8	3.0	32.8	32.8	32.8	26.9	21.0	15.2		
				95°F						105°F									
750	77	41.1	3.1	17.3	14.4	11.2	-	-	-	37.5	3.4	21.1	17.5	14.3	-	-	-		
	72	37.0	3.1	22.7	19.4	16.2	12.9	-	-	33.3	3.3	24.0	20.7	17.5	14.3	-	-		
	67	32.8	3.0	28.1	24.5	21.2	17.9	14.7	-	29.2	3.2	26.8	24.0	20.8	17.5	14.3	-		
	62	29.4	3.0	29.4	25.3	21.9	18.6	15.3	12.1	25.5	3.2	25.5	23.5	21.5	18.2	15.0	11.8		
900	77	42.2	3.2	19.7	15.9	12.1	-	-	-	38.3	3.4	22.7	18.2	14.5	-	-	-		
	72	37.9	3.1	25.1	21.3	17.5	13.7	-	-	34.1	3.4	25.5	21.7	17.9	14.1	-	-		
	67	33.7	3.1	30.6	26.7	22.9	19.1	15.3	-	29.8	3.3	28.2	25.1	21.3	17.5	13.7	-		
	62	30.2	3.0	30.2	27.5	23.6	19.8	16.0	12.2	26.1	3.3	26.1	24.7	22.0	18.2	14.4	10.6		
1050	77	43.3	3.2	22.2	17.4	13.0	-	-	-	39.2	3.5	24.3	19.0	14.6	-	-	-		
	72	38.9	3.2	27.6	23.2	18.8	14.4	-	-	34.8	3.4	27.0	22.6	18.2	13.9	-	-		
	67	34.6	3.1	33.0	29.0	24.6	20.2	15.8	-	30.5	3.4	29.7	26.2	21.8	17.5	13.1	-		
	62	31.0	3.1	31.0	29.6	25.4	21.0	16.6	12.2	26.7	3.3	26.7	26.0	22.6	18.2	13.8	9.5		
1200	77	44.3	3.3	24.6	18.8	13.9	-	-	-	40.0	3.6	25.8	19.7	14.8	-	-	-		
	72	39.9	3.2	30.0	25.1	20.1	15.2	-	-	35.6	3.5	28.5	23.5	18.6	13.6	-	-		
	67	35.4	3.2	35.4	31.3	26.3	21.4	16.4	-	31.1	3.4	31.1	27.3	22.4	17.4	12.5	-		
	62	31.7	3.2	31.7	31.7	27.2	22.2	17.3	12.3	27.3	3.4	27.3	27.3	23.1	18.2	13.2	8.3		
1350	77	40.7	3.3	32.4	26.9	21.4	15.9	-	-	36.3	3.6	31.1	26.6	21.1	15.5	-	-		
	72	36.1	3.3	36.1	33.5	28.0	22.5	17.0	-	31.8	3.5	31.8	29.6	25.2	19.7	14.2	-		
	67	32.4	3.2	32.4	32.4	28.9	23.4	17.9	12.4	27.8	3.5	27.8	27.8	25.1	19.6	14.1	8.6		
	62	28.6	3.2	28.6	28.6	28.6	23.1	17.6	12.1	24.4	3.5	24.4	24.4	24.4	18.9	13.4	7.8		
1500	77	41.5	3.4	34.8	28.7	22.7	16.6	-	-	37.1	3.6	33.7	29.6	23.5	17.5	-	-		
	72	36.9	3.3	36.9	35.7	29.7	23.6	17.6	-	32.4	3.6	32.4	31.9	28.0	21.9	15.9	-		
	67	33.0	3.3	33.0	33.0	30.6	24.6	18.5	12.5	28.4	3.5	28.4	28.4	27.2	21.1	15.0	9.0		
	62	29.2	3.3	29.2	29.2	29.2	23.1	17.1	11.0	24.9	3.5	24.9	24.9	24.9	18.8	12.7	6.7		

NM036 (3.0 Ton) (Continued)

Air on Evaporator Coil		Temperature of Air on Condenser Coil															
CFM	WB (°F)	Total Capacity ¹ (MBh)	Total Input (kW) ²	Sensible Capacity (MBh)						Total Capacity ¹ (MBh)	Total Input (kW) ²	Sensible Capacity (MBh)					
				Return Dry Bulb (°F)								Return Dry Bulb (°F)					
				90	85	80	75	70	65			90	85	80	75	70	65
		115°F						125°F									
750	77	33.9	3.7	25.0	20.6	17.4	-	-	-	30.3	4.0	31.2	23.6	20.5	-	-	-
	72	29.7	3.6	25.2	22.0	18.9	15.7	-	-	26.0	3.8	26.5	23.4	20.2	17.1	-	-
	67	25.5	3.5	25.5	23.5	20.3	17.2	14.0	-	21.8	3.7	21.8	23.1	19.9	16.8	13.6	-
	62	21.6	3.4	21.6	21.6	21.1	17.9	14.7	11.5	17.7	3.7	17.7	17.7	18.9	17.5	14.4	11.3
900	77	34.5	3.7	25.7	20.6	16.8	-	-	-	30.7	4.0	30.2	22.9	19.2	-	-	-
	72	30.2	3.6	25.8	22.0	18.3	14.5	-	-	26.4	3.9	26.1	22.4	18.6	14.9	-	-
	67	25.9	3.5	25.9	23.5	19.7	15.9	12.2	-	22.0	3.8	22.0	21.8	18.1	14.3	10.6	-
	62	22.0	3.5	22.0	22.0	20.4	16.6	12.9	9.1	17.9	3.7	17.9	17.9	17.9	15.0	11.3	7.6
	57	19.1	3.5	19.1	19.1	19.1	15.3	11.5	7.8	15.2	3.7	15.2	15.2	15.2	12.7	8.9	5.2
1050	77	35.1	3.8	26.3	20.6	16.3	-	-	-	31.0	4.1	29.2	22.2	17.9	-	-	-
	72	30.7	3.7	26.4	22.0	17.7	13.3	-	-	26.7	4.0	25.7	21.4	17.1	12.7	-	-
	67	26.4	3.6	26.4	23.4	19.0	14.7	10.3	-	22.3	3.8	22.3	20.6	16.2	11.9	7.6	-
	62	22.4	3.6	22.4	22.4	19.7	15.4	11.0	6.7	18.1	3.8	18.1	18.1	16.9	12.6	8.2	3.9
	57	19.4	3.6	19.4	19.4	19.4	15.0	10.7	6.3	15.4	3.8	15.4	15.4	15.4	11.7	7.3	3.0
1200	77	35.7	3.9	27.0	20.6	15.7	-	-	-	31.4	4.2	28.2	21.5	16.6	-	-	-
	72	31.3	3.8	26.9	22.0	17.0	12.1	-	-	27.0	4.0	25.4	20.4	15.5	10.6	-	-
	67	26.8	3.7	26.8	23.3	18.4	13.4	8.5	-	22.5	3.9	22.5	19.3	14.4	9.5	4.6	-
	62	22.8	3.6	22.8	22.8	19.0	14.1	9.2	4.2	18.3	3.9	18.3	18.3	15.0	10.1	5.1	0.2
	57	19.7	3.6	19.7	19.7	19.7	14.8	9.8	4.9	15.6	3.9	15.6	15.6	15.6	10.6	5.7	0.8
1350	72	31.9	3.8	29.8	26.2	20.7	15.2	-	-	27.6	4.1	27.6	25.9	20.4	14.9	-	-
	67	27.4	3.7	27.4	25.6	22.3	16.8	11.3	-	23.0	4.0	23.0	21.7	19.5	14.0	8.5	-
	62	23.3	3.7	23.3	23.3	21.4	15.9	10.4	4.9	18.7	3.9	18.7	18.7	17.6	12.1	6.6	1.1
	57	20.1	3.7	20.1	20.1	20.1	14.6	9.1	3.6	15.9	3.9	15.9	15.9	15.9	10.4	4.9	-0.6
1500	72	32.6	3.9	32.6	30.5	24.4	18.3	-	-	28.2	4.2	28.2	28.2	25.3	19.2	-	-
	67	28.0	3.8	28.0	28.0	26.3	20.2	14.2	-	23.5	4.0	23.5	23.5	23.5	18.5	12.4	-
	62	23.7	3.8	23.7	23.7	23.7	17.7	11.6	5.5	19.1	4.0	19.1	19.1	19.1	14.2	8.1	2.0
	57	20.6	3.8	20.6	20.6	20.6	14.5	8.4	2.3	16.3	4.0	16.3	16.3	16.3	10.2	4.1	-2.0

1. These capacities are Net capacities.
2. These ratings include the compressor, condenser fan and supply air blower motors.

NM042 (3.5 Ton)

Air on Evaporator Coil		Temperature of Air on Condenser Coil																	
CFM	WB (°F)	Total Capacity ¹ (MBh)	Total Input (kW) ²	Sensible Capacity (MBh)						Total Capacity ¹ (MBh)	Total Input (kW) ²	Sensible Capacity (MBh)							
				Return Dry Bulb (°F)								Return Dry Bulb (°F)							
				90	85	80	75	70	65			90	85	80	75	70	65		
				75°F								85°F							
975	77	53.1	3.2	22.7	18.8	15.0	-	-	-	48.8	3.6	21.3	17.5	13.7	-	-	-		
	72	49.2	3.2	28.6	24.8	20.9	17.1	-	-	45.2	3.5	27.2	23.4	19.5	15.7	-	-		
	67	45.4	3.1	34.6	30.7	26.8	23.0	19.1	-	41.6	3.4	33.1	29.2	25.4	21.5	17.7	-		
	62	40.0	3.0	40.0	40.0	34.9	31.0	27.2	23.3	36.7	3.3	36.7	35.4	30.5	26.7	22.8	19.0		
1050	77	53.9	3.2	24.2	20.0	15.8	-	-	-	49.7	3.6	22.7	18.6	14.5	-	-	-		
	72	50.0	3.2	30.4	26.3	22.1	17.9	-	-	46.0	3.5	28.9	24.8	20.7	16.6	-	-		
	67	46.0	3.1	36.7	32.5	28.4	24.2	20.0	-	42.3	3.4	35.1	31.0	26.9	22.8	18.7	-		
	62	40.6	3.1	40.6	40.6	36.9	32.7	28.6	24.4	37.4	3.3	37.4	36.5	32.4	28.2	24.1	20.0		
57	38.6	3.0	38.6	38.6	35.8	31.7	27.5	23.3	35.5	3.3	35.5	35.5	33.0	28.9	24.8	20.7	-		
1125	77	54.7	3.3	25.7	21.2	16.7	-	-	-	50.5	3.6	24.0	19.7	15.3	-	-	-		
	72	50.7	3.2	32.3	27.8	23.3	18.8	-	-	46.8	3.5	30.6	26.2	21.9	17.5	-	-		
	67	46.7	3.1	38.9	34.4	29.9	25.4	20.9	-	43.1	3.4	37.2	32.8	28.4	24.1	19.7	-		
	62	41.2	3.1	41.2	41.2	38.9	34.4	29.9	25.5	38.0	3.4	38.0	37.6	34.2	29.8	25.4	21.1		
57	39.1	3.1	39.1	39.1	37.8	33.3	28.8	24.3	36.1	3.3	36.1	36.1	34.9	30.5	26.1	21.7	-		
1200	77	55.4	3.3	27.1	22.3	17.5	-	-	-	51.4	3.6	25.4	20.8	16.1	-	-	-		
	72	51.4	3.2	34.1	29.3	24.5	19.7	-	-	47.6	3.5	32.3	27.7	23.0	18.4	-	-		
	67	47.3	3.2	41.0	36.2	31.4	26.6	21.8	-	43.8	3.4	39.2	34.6	29.9	25.3	20.7	-		
	62	41.8	3.1	41.8	41.8	40.9	36.1	31.3	26.5	38.7	3.4	38.7	38.7	36.0	31.4	26.7	22.1		
57	39.7	3.1	39.7	39.7	39.7	34.9	30.1	25.3	36.7	3.3	36.7	36.7	36.7	32.1	27.4	22.8	-		
1350	72	51.6	3.3	36.0	30.8	25.6	20.4	-	-	47.9	3.6	34.6	29.4	24.2	19.1	-	-		
	67	47.5	3.2	44.4	38.0	32.8	27.6	22.4	-	44.1	3.5	41.8	36.7	31.5	26.4	21.2	-		
	62	42.0	3.2	42.0	42.0	42.0	36.9	31.7	26.5	38.9	3.4	38.9	38.9	37.6	32.4	27.2	22.1		
	57	39.9	3.1	39.9	39.9	39.9	34.7	29.4	24.2	36.9	3.4	36.9	36.9	36.9	31.8	26.6	21.5		
1500	72	51.8	3.3	37.9	32.3	26.7	21.1	-	-	48.2	3.6	36.8	31.1	25.4	19.8	-	-		
	67	47.7	3.3	47.7	39.9	34.2	28.6	23.0	-	44.3	3.5	44.3	38.8	33.1	27.4	21.7	-		
	62	42.1	3.2	42.1	42.1	42.1	37.7	32.1	26.5	39.1	3.5	39.1	39.1	39.1	33.4	27.8	22.1		
	57	40.0	3.2	40.0	40.0	40.0	34.4	28.8	23.2	37.2	3.4	37.2	37.2	37.2	31.5	25.8	20.1		
				95°F								105°F							
975	77	44.5	3.9	20.0	16.2	12.3	-	-	-	41.1	4.3	18.2	15.0	11.2	-	-	-		
	72	41.2	3.8	25.8	22.0	18.1	14.3	-	-	37.4	4.1	24.4	20.6	16.7	12.9	-	-		
	67	37.8	3.7	31.6	27.8	23.9	20.1	16.3	-	33.8	4.0	30.6	26.2	22.3	18.5	14.6	-		
	62	33.4	3.6	33.4	30.0	26.2	22.3	18.5	14.7	29.8	3.9	29.8	28.1	23.5	19.7	15.9	12.0		
1050	77	45.5	3.9	21.2	17.2	13.1	-	-	-	41.9	4.3	20.3	16.0	12.0	-	-	-		
	72	42.1	3.8	27.4	23.3	19.3	15.2	-	-	38.2	4.1	26.1	22.0	17.9	13.8	-	-		
	67	38.6	3.7	33.5	29.5	25.4	21.4	17.4	-	34.4	4.0	31.9	28.0	23.9	19.8	15.7	-		
	62	34.1	3.6	34.1	31.9	27.8	23.8	19.7	15.7	30.3	3.9	30.3	29.2	25.2	21.1	17.0	12.9		
57	32.4	3.6	32.4	32.4	30.2	26.1	22.1	18.0	28.8	3.9	28.8	28.8	26.5	22.4	18.3	14.2	-		
1125	77	46.4	3.9	22.4	18.2	13.9	-	-	-	42.7	4.3	22.4	17.1	12.7	-	-	-		
	72	42.9	3.8	29.0	24.7	20.4	16.2	-	-	38.9	4.1	27.7	23.4	19.1	14.8	-	-		
	67	39.4	3.7	35.5	31.2	27.0	22.7	18.4	-	35.1	4.0	33.1	29.8	25.5	21.1	16.8	-		
	62	34.8	3.6	34.8	33.7	29.5	25.2	20.9	16.7	30.9	3.9	30.9	30.4	26.8	22.5	18.2	13.9		
57	33.1	3.6	33.1	33.1	32.0	27.7	23.4	19.2	29.4	3.9	29.4	29.4	28.2	23.9	19.6	15.2	-		
1200	77	47.4	4.0	23.6	19.2	14.7	-	-	-	43.5	4.3	24.5	18.1	13.5	-	-	-		
	72	43.8	3.8	30.5	26.1	21.6	17.1	-	-	39.6	4.2	29.4	24.8	20.3	15.7	-	-		
	67	40.2	3.7	37.4	33.0	28.5	24.0	19.5	-	35.7	4.0	34.3	31.6	27.0	22.4	17.9	-		
	62	35.5	3.6	35.5	35.5	31.1	26.6	22.2	17.7	31.5	3.9	31.5	31.5	28.5	23.9	19.3	14.8		
57	33.8	3.6	33.8	33.8	33.8	29.3	24.8	20.3	29.9	3.9	29.9	29.9	29.9	25.4	20.8	16.2	-		
1350	72	44.2	3.9	33.1	28.0	22.9	17.8	-	-	40.0	4.2	31.8	26.6	21.5	16.3	-	-		
	67	40.6	3.8	39.2	35.3	30.2	25.1	20.0	-	36.1	4.1	35.4	33.2	28.6	23.5	18.3	-		
	62	35.8	3.7	35.8	35.8	33.0	27.9	22.8	17.7	31.8	3.9	31.8	31.8	30.0	24.8	19.7	14.5		
	57	34.0	3.7	34.0	34.0	34.0	28.9	23.8	18.7	30.2	4.0	30.2	30.2	30.2	25.0	19.9	14.7		
1500	72	44.5	3.9	35.7	30.0	24.2	18.5	-	-	40.3	4.3	34.2	28.5	22.7	17.0	-	-		
	67	40.9	3.8	40.9	37.7	31.9	26.2	20.5	-	36.4	4.1	36.4	34.8	30.3	24.5	18.8	-		
	62	36.1	3.7	36.1	36.1	34.9	29.2	23.4	17.7	32.1	4.0	32.1	32.1	31.4	25.7	20.0	14.2		
	57	34.3	3.7	34.3	34.3	34.3	28.6	22.8	17.1	30.4	4.0	30.4	30.4	30.4	24.7	19.0	13.2		

NM042 (3.5 Ton) (Continued)

Air on Evaporator Coil		Temperature of Air on Condenser Coil															
CFM	WB (°F)	Total Capacity ¹ (MBh)	Total Input (kW) ²	Sensible Capacity (MBh)						Total Capacity ¹ (MBh)	Total Input (kW) ²	Sensible Capacity (MBh)					
				Return Dry Bulb (°F)								Return Dry Bulb (°F)					
				90	85	80	75	70	65			90	85	80	75	70	65
		115°F							125°F								
975	77	37.6	4.6	16.4	13.8	10.0	-	-	-	34.2	5.0	17.7	11.6	8.8	-	-	-
	72	33.7	4.4	23.0	19.2	15.4	11.5	-	-	29.9	4.7	21.7	17.8	14.0	10.1	-	-
	67	29.7	4.2	29.7	24.6	20.7	16.9	13.0	-	25.6	4.5	25.6	23.5	19.1	15.2	11.4	-
	62	26.1	4.1	26.1	26.1	20.9	17.1	13.2	9.4	22.5	4.4	22.5	22.5	18.3	14.5	10.6	6.8
1050	77	38.3	4.6	19.3	14.9	10.8	-	-	-	34.7	5.0	21.0	13.8	9.6	-	-	-
	72	34.2	4.5	24.8	20.7	16.6	12.4	-	-	30.3	4.8	23.5	19.3	15.2	11.0	-	-
	67	30.2	4.3	30.2	26.4	22.3	18.2	14.1	-	26.0	4.5	26.0	24.9	20.8	16.6	12.5	-
	62	26.6	4.1	26.6	26.6	22.6	18.4	14.3	10.2	22.8	4.4	22.8	22.8	19.9	15.8	11.6	7.5
57	25.2	4.2	25.2	25.2	22.8	18.7	14.6	10.4	21.6	4.5	21.6	21.6	19.1	15.0	10.8	6.7	
1125	77	38.9	4.7	22.3	15.9	11.6	-	-	-	35.2	5.0	24.2	15.9	10.4	-	-	-
	72	34.8	4.5	26.5	22.1	17.7	13.4	-	-	30.8	4.8	25.3	20.9	16.4	12.0	-	-
	67	30.7	4.3	30.7	28.3	23.9	19.6	15.2	-	26.4	4.6	26.4	26.4	22.4	18.0	13.5	-
	62	27.0	4.1	27.0	27.0	24.2	19.8	15.4	11.0	23.1	4.4	23.1	23.1	21.6	17.1	12.7	8.2
57	25.7	4.2	25.7	25.7	24.4	20.1	15.7	11.3	22.0	4.5	22.0	22.0	20.7	16.2	11.8	7.3	
1200	77	39.6	4.7	25.3	17.0	12.3	-	-	-	35.7	5.0	27.5	18.0	11.2	-	-	-
	72	35.4	4.5	28.3	23.6	18.9	14.3	-	-	31.2	4.8	27.1	22.4	17.6	12.9	-	-
	67	31.2	4.3	31.2	30.2	25.6	20.9	16.2	-	26.7	4.6	26.7	26.7	24.1	19.4	14.6	-
	62	27.5	4.2	27.5	27.5	25.8	21.2	16.5	11.9	23.4	4.4	23.4	23.4	23.2	18.4	13.7	9.0
57	26.1	4.2	26.1	26.1	26.1	21.4	16.8	12.1	22.3	4.5	22.3	22.3	22.3	17.5	12.8	8.0	
1350	72	35.8	4.5	30.5	25.3	20.1	14.9	-	-	31.5	4.8	29.2	23.9	18.7	13.4	-	-
	67	31.5	4.3	31.5	31.0	27.1	21.9	16.7	-	27.0	4.6	27.0	27.0	25.5	20.3	15.1	-
	62	27.7	4.2	27.7	27.7	26.9	21.7	16.5	11.3	23.7	4.5	23.7	23.7	23.7	18.6	13.4	8.1
	57	26.3	4.2	26.3	26.3	26.3	21.1	15.9	10.8	22.5	4.5	22.5	22.5	22.5	17.3	12.0	6.8
1500	72	36.1	4.6	32.7	27.0	21.2	15.5	-	-	31.9	4.9	31.2	25.5	19.7	14.0	-	-
	67	31.8	4.4	31.8	31.8	28.6	22.9	17.1	-	27.3	4.7	27.3	27.3	27.0	21.2	15.5	-
	62	28.0	4.2	28.0	28.0	28.0	22.3	16.5	10.8	23.9	4.5	23.9	23.9	23.9	18.8	13.1	7.3
	57	26.6	4.3	26.6	26.6	26.6	20.9	15.1	9.4	22.7	4.6	22.7	22.7	22.7	17.0	11.3	5.5

1. These capacities are Net capacities.
2. These ratings include the compressor, condenser fan and supply air blower motors.

NM048 (4.0 Ton)

Air on Evaporator Coil		Temperature of Air on Condenser Coil																	
CFM	WB (°F)	Total Capacity ¹ (MBh)	Total Input (kW) ²	Sensible Capacity (MBh)								Total Capacity ¹ (MBh)	Total Input (kW) ²	Sensible Capacity (MBh)					
				Return Dry Bulb (°F)										Return Dry Bulb (°F)					
				90	85	80	75	70	65	90	85			80	75	70	65		
		75°F								85°F									
1000	77	61.4	3.2	25.2	21.3	17.3	-	-	-	56.5	3.4	23.8	19.8	15.8	-	-	-		
	72	56.9	3.1	32.1	28.1	24.2	20.2	-	-	52.3	3.4	30.6	26.6	22.6	18.5	-	-		
	67	52.4	3.0	38.9	35.0	31.0	27.1	23.1	-	48.1	3.3	37.4	33.3	29.3	25.3	21.3	-		
	62	46.3	3.1	46.3	46.2	40.3	36.4	32.4	28.5	42.4	3.3	42.4	40.3	35.3	31.3	27.2	23.2		
1200	77	62.3	3.4	26.9	22.6	18.3	-	-	-	57.4	3.6	25.5	21.1	16.7	-	-	-		
	72	57.8	3.3	34.1	29.8	25.5	21.2	-	-	53.2	3.6	32.7	28.3	23.9	19.5	-	-		
	67	53.2	3.2	41.4	37.1	32.8	28.5	24.2	-	48.9	3.5	39.9	35.5	31.1	26.7	22.3	-		
	62	47.0	3.3	47.0	46.9	42.6	38.3	34.0	29.7	43.2	3.5	43.2	41.8	37.4	33.0	28.6	24.2		
1400	77	63.2	3.5	28.6	23.9	19.3	-	-	-	58.4	3.8	27.2	22.4	17.7	-	-	-		
	72	58.6	3.5	36.2	31.5	26.9	22.3	-	-	54.1	3.8	34.8	30.0	25.3	20.5	-	-		
	67	54.0	3.4	43.8	39.2	34.5	29.9	25.2	-	49.8	3.7	42.4	37.6	32.8	28.1	23.3	-		
	62	47.6	3.5	47.6	47.6	44.9	40.3	35.6	31.0	43.9	3.7	43.9	43.2	39.5	34.7	29.9	25.2		
1600	77	64.1	3.7	30.3	25.3	20.3	-	-	-	59.4	4.0	28.9	23.8	18.6	-	-	-		
	72	59.4	3.6	38.3	33.3	28.3	23.3	-	-	55.0	3.9	36.9	31.8	26.6	21.4	-	-		
	67	54.7	3.5	46.3	41.3	36.3	31.3	26.3	-	50.6	3.9	44.9	39.8	34.6	29.4	24.3	-		
	62	48.3	3.6	48.3	48.3	47.2	42.3	37.3	32.3	44.7	3.9	44.7	44.7	41.6	36.4	31.3	26.1		
1800	77	64.1	3.7	30.3	25.3	20.3	-	-	-	59.4	4.0	28.9	23.8	18.6	-	-	-		
	72	59.7	3.8	40.3	34.9	29.6	24.2	-	-	55.4	4.1	39.1	33.6	28.0	22.4	-	-		
	67	55.0	3.7	49.7	43.3	37.9	32.5	27.2	-	50.9	4.0	47.5	42.0	36.4	30.8	25.3	-		
	62	48.5	3.8	48.5	48.5	48.5	43.3	38.0	32.6	45.0	4.0	45.0	45.0	43.4	37.9	32.3	26.7		
2000	77	64.1	3.7	30.3	25.3	20.3	-	-	-	59.4	4.0	28.9	23.8	18.6	-	-	-		
	72	59.9	3.9	42.3	36.6	30.8	25.1	-	-	55.7	4.2	41.4	35.4	29.4	23.4	-	-		
	67	55.2	3.8	53.1	45.3	39.6	33.8	28.1	-	51.3	4.1	50.2	44.2	38.2	32.2	26.3	-		
	62	48.7	3.9	48.7	48.7	48.7	44.4	38.7	32.9	45.2	4.1	45.2	45.2	45.2	39.3	33.3	27.3		
1000	77	51.5	3.7	22.4	18.3	14.3	-	-	-	47.5	4.1	20.1	17.0	12.9	-	-	-		
	72	47.6	3.6	29.1	25.0	21.0	16.9	-	-	43.3	4.0	27.6	23.5	19.3	15.2	-	-		
	67	43.7	3.6	35.8	31.7	27.6	23.6	19.5	-	39.0	3.9	35.1	29.9	25.8	21.7	17.5	-		
	62	38.6	3.5	38.6	34.4	30.2	26.1	22.0	18.0	34.4	3.8	34.4	32.3	28.0	23.8	19.7	15.6		
1200	77	52.6	3.9	24.2	19.7	15.2	-	-	-	48.4	4.3	23.0	18.4	13.8	-	-	-		
	72	48.6	3.8	31.3	26.8	22.3	17.8	-	-	44.1	4.2	29.8	25.3	20.7	16.1	-	-		
	67	44.7	3.8	38.4	33.9	29.4	24.9	20.4	-	39.8	4.1	36.7	32.2	27.6	23.0	18.4	-		
	62	39.4	3.7	39.4	36.6	32.1	27.6	23.1	18.6	35.1	4.0	35.1	33.7	29.9	25.3	20.8	16.2		
1400	77	53.7	4.1	25.9	21.0	16.1	-	-	-	49.3	4.5	25.9	19.7	14.7	-	-	-		
	72	49.6	4.0	33.4	28.5	23.6	18.7	-	-	45.0	4.4	32.1	27.1	22.1	17.0	-	-		
	67	45.6	4.0	41.0	36.1	31.1	26.2	21.3	-	40.6	4.3	38.2	34.4	29.4	24.4	19.4	-		
	62	40.3	3.9	40.3	38.8	34.0	29.1	24.2	19.3	35.7	4.2	35.7	35.0	31.9	26.9	21.9	16.8		
1600	77	54.8	4.3	27.6	22.3	17.0	-	-	-	50.3	4.7	28.8	21.1	15.6	-	-	-		
	72	50.7	4.2	35.6	30.3	24.9	19.6	-	-	45.8	4.6	34.3	28.9	23.4	18.0	-	-		
	67	46.5	4.2	43.5	38.2	32.9	27.6	22.3	-	41.3	4.5	39.8	36.7	31.2	25.8	20.3	-		
	62	41.1	4.1	41.1	41.1	35.9	30.6	25.3	20.0	36.4	4.4	36.4	36.4	33.8	28.4	22.9	17.5		
1800	77	51.1	4.4	38.0	32.2	26.5	20.7	-	-	46.2	4.7	36.7	30.7	24.8	18.9	-	-		
	72	46.9	4.3	45.4	40.7	34.9	29.1	23.4	-	41.7	4.6	40.9	38.3	33.1	27.2	21.3	-		
	67	41.4	4.2	41.4	41.4	38.1	32.4	26.6	20.8	36.7	4.5	36.7	36.7	35.1	29.2	23.3	17.3		
	62	39.3	4.2	39.3	39.3	39.3	33.6	27.8	22.0	34.9	4.5	34.9	34.9	34.9	29.0	23.1	17.1		
2000	77	51.5	4.5	40.4	34.2	28.0	21.8	-	-	46.6	4.8	39.0	32.6	26.2	19.9	-	-		
	72	47.3	4.4	47.3	43.1	36.9	30.7	24.5	-	42.1	4.7	42.1	40.0	35.0	28.6	22.2	-		
	67	41.8	4.3	41.8	41.8	40.3	34.1	27.9	21.7	37.1	4.6	37.1	37.1	36.3	30.0	23.6	17.2		
	62	39.7	4.3	39.7	39.7	39.7	33.5	27.2	21.0	35.2	4.6	35.2	35.2	35.2	28.8	22.4	16.1		

NM048 (4.0 Ton) (Continued)

Air on Evaporator Coil		Temperature of Air on Condenser Coil															
CFM	WB (°F)	Total Capacity ¹ (MBh)	Total Input (kW) ²	Sensible Capacity (MBh)						Total Capacity ¹ (MBh)	Total Input (kW) ²	Sensible Capacity (MBh)					
				Return Dry Bulb (°F)								Return Dry Bulb (°F)					
				90	85	80	75	70	65			90	85	80	75	70	65
		115°F						125°F									
1000	77	43.5	4.4	17.9	15.7	11.6	-	-	-	39.5	4.8	19.5	13.1	10.2	-	-	-
	72	38.9	4.3	26.1	21.9	17.7	13.6	-	-	34.6	4.6	24.6	20.4	16.1	11.9	-	-
	67	34.3	4.1	34.3	28.1	23.9	19.7	15.6	-	29.6	4.4	29.6	26.9	22.1	17.8	13.6	-
	62	30.2	4.1	30.2	30.2	25.7	21.5	17.4	13.2	26.0	4.3	26.0	26.0	24.3	19.2	15.0	10.8
1200	77	44.3	4.6	21.9	17.1	12.5	-	-	-	40.1	5.0	23.9	15.8	11.1	-	-	-
	72	39.6	4.5	28.4	23.8	19.1	14.5	-	-	35.1	4.8	27.0	22.3	17.5	12.8	-	-
	67	34.9	4.3	34.9	30.4	25.8	21.1	16.5	-	30.1	4.6	30.1	28.7	24.0	19.3	14.5	-
	62	30.7	4.2	30.7	30.7	27.7	23.1	18.4	13.8	26.3	4.5	26.3	26.3	25.5	20.8	16.1	11.3
1400	77	45.0	4.8	25.9	18.5	13.4	-	-	-	40.7	5.2	28.3	18.5	12.0	-	-	-
	72	40.3	4.7	30.7	25.6	20.5	15.4	-	-	35.6	5.0	29.4	24.2	19.0	13.7	-	-
	67	35.5	4.5	35.5	32.8	27.7	22.5	17.4	-	30.5	4.8	30.5	30.5	25.9	20.7	15.5	-
	62	31.2	4.4	31.2	31.2	29.7	24.6	19.5	14.4	26.7	4.7	26.7	26.7	22.3	17.1	11.9	-
1600	77	45.8	5.0	30.0	19.8	14.3	-	-	-	41.3	5.4	32.7	21.3	12.9	-	-	-
	72	40.9	4.9	33.1	27.5	21.9	16.3	-	-	36.1	5.2	31.8	26.1	20.4	14.6	-	-
	67	36.1	4.7	36.1	35.1	29.5	23.9	18.4	-	30.9	5.0	30.9	30.9	27.8	22.1	16.4	-
	62	31.8	4.6	31.8	31.8	31.7	26.1	20.6	15.0	27.1	4.9	27.1	27.1	27.1	23.9	18.2	12.5
1800	77	45.8	5.0	30.0	19.8	14.3	-	-	-	41.3	5.4	32.7	21.3	12.9	-	-	-
	72	40.9	4.9	33.1	27.5	21.9	16.3	-	-	36.1	5.2	31.8	26.1	20.4	14.6	-	-
	67	36.1	4.7	36.1	35.1	29.5	23.9	18.4	-	30.9	5.0	30.9	30.9	27.8	22.1	16.4	-
	62	31.8	4.6	31.8	31.8	31.7	26.1	20.6	15.0	27.1	4.9	27.1	27.1	27.1	23.9	18.2	12.5
2000	77	41.3	5.0	35.3	29.3	23.2	17.1	-	-	36.5	5.4	34.0	27.8	21.6	15.4	-	-
	72	36.5	4.9	36.5	36.0	31.3	25.2	19.2	-	31.2	5.2	31.2	31.2	29.5	23.3	17.0	-
	67	32.1	4.8	32.1	32.1	32.0	26.0	19.9	13.8	27.4	5.0	27.4	27.4	27.4	22.8	16.6	10.3
	62	30.5	4.8	30.5	30.5	30.4	24.4	18.3	12.2	26.0	5.1	26.0	26.0	26.0	19.8	13.6	7.3
2000	77	41.7	5.2	37.6	31.1	24.5	18.0	-	-	36.9	5.5	36.2	29.5	22.8	16.1	-	-
	72	36.8	5.0	36.8	36.8	33.1	26.5	20.0	-	31.6	5.3	31.6	31.6	31.1	24.4	17.7	-
	67	32.4	4.9	32.4	32.4	32.4	25.8	19.3	12.7	27.7	5.2	27.7	27.7	27.7	21.7	14.9	8.2
	62	30.7	4.9	30.7	30.7	30.7	24.2	17.6	11.1	26.3	5.2	26.3	26.3	26.3	19.6	12.8	6.1

1. These capacities are Net capacities.
2. These ratings include the compressor, condenser fan and supply air blower motors.

NM060 (5.0 Ton)

Air on Evaporator Coil		Temperature of Air on Condenser Coil															
CFM	WB (°F)	Total Capacity ¹ (MBh)	Total Input (kW) ²	Sensible Capacity (MBh)						Total Capacity ¹ (MBh)	Total Input (kW) ²	Sensible Capacity (MBh)					
				Return Dry Bulb (°F)								Return Dry Bulb (°F)					
				90	85	80	75	70	65			90	85	80	75	70	65
				75°F						85°F							
1400	77	71.8	3.6	34.3	28.6	22.9	-	-	-	72.6	4.1	34.8	29.0	23.2	-	-	-
	72	68.7	3.6	43.5	37.8	32.1	26.4	-	-	67.5	4.0	43.1	37.3	31.5	25.6	-	-
	67	65.7	3.5	52.7	47.0	41.3	35.6	29.9	-	62.4	3.9	51.3	45.5	39.7	33.9	28.1	-
	62	64.5	3.4	64.5	58.2	53.2	47.5	41.8	36.1	61.0	3.9	61.0	56.7	50.9	45.1	39.3	33.5
1500	77	70.9	3.7	34.8	29.0	23.2	-	-	-	71.8	4.1	35.4	29.4	23.5	-	-	-
	72	67.9	3.6	44.1	38.3	32.4	26.6	-	-	66.8	4.0	43.8	37.8	31.9	25.9	-	-
	67	64.9	3.5	53.4	47.5	41.7	35.9	30.1	-	61.8	4.0	52.2	46.2	40.2	34.3	28.3	-
	62	63.8	3.5	63.8	59.5	53.7	47.9	42.0	36.2	60.3	3.9	60.3	57.5	51.5	45.6	39.6	33.6
57	58.1	3.5	58.1	58.1	54.5	48.7	42.8	37.0	55.1	3.9	55.1	55.1	51.3	45.3	39.4	33.4	
1600	77	70.1	3.7	35.3	29.3	23.4	-	-	-	71.0	4.1	36.0	29.9	23.8	-	-	-
	72	67.1	3.6	44.7	38.7	32.7	26.8	-	-	66.0	4.0	44.5	38.4	32.3	26.1	-	-
	67	64.1	3.5	54.0	48.1	42.1	36.2	30.2	-	61.1	4.0	53.0	46.9	40.7	34.6	28.5	-
	62	63.0	3.5	63.0	60.9	54.2	48.3	42.3	36.3	59.7	3.9	59.7	58.3	52.2	46.1	39.9	33.8
57	57.4	3.5	57.4	57.4	55.0	49.1	43.1	37.1	54.5	3.9	54.5	54.5	51.9	45.8	39.7	33.6	
1700	77	69.3	3.7	35.8	29.7	23.6	-	-	-	70.2	4.1	36.6	30.3	24.1	-	-	-
	72	66.3	3.6	45.2	39.1	33.1	27.0	-	-	65.3	4.1	45.2	38.9	32.7	26.4	-	-
	67	63.4	3.5	54.7	48.6	42.5	36.4	30.3	-	60.4	4.0	53.8	47.5	41.3	35.0	28.7	-
	62	62.3	3.5	62.3	62.3	54.7	48.6	42.6	36.5	59.0	3.9	59.0	59.0	52.8	46.6	40.3	34.0
57	56.7	3.5	56.7	56.7	55.6	49.5	43.4	37.3	53.9	3.9	53.9	53.9	52.6	46.3	40.0	33.7	
2100	72	69.2	3.6	48.7	41.8	34.9	27.9	-	-	67.8	4.1	49.7	42.3	35.0	27.7	-	-
	67	66.1	3.5	60.7	51.8	44.9	37.9	31.0	-	62.7	4.0	58.9	51.6	44.3	36.9	29.6	-
	62	65.0	3.5	65.0	65.0	58.2	51.3	44.3	37.4	61.3	4.0	61.3	61.3	56.7	49.4	42.1	34.8
	57	59.2	3.5	59.2	59.2	58.6	51.6	44.7	37.8	55.9	3.9	55.9	55.9	55.3	48.0	40.7	33.4
2500	72	72.1	3.6	52.2	44.5	36.7	28.9	-	-	70.3	4.1	54.1	45.8	37.4	29.1	-	-
	67	68.8	3.5	66.7	55.0	47.2	39.4	31.6	-	65.0	4.0	64.0	55.6	47.3	38.9	30.6	-
	62	67.7	3.5	67.7	67.7	61.7	53.9	46.1	38.3	63.5	4.0	63.5	63.5	60.5	52.2	43.8	35.5
	57	61.6	3.5	61.6	61.6	61.6	53.8	46.0	38.2	58.0	4.0	58.0	58.0	58.0	49.7	41.3	33.0
				95°F						105°F							
1400	77	73.4	4.5	35.2	29.3	23.4	-	-	-	68.6	5.0	34.0	28.1	22.1	-	-	-
	72	66.3	4.4	42.6	36.7	30.8	24.9	-	-	61.7	5.0	41.2	35.2	29.2	23.2	-	-
	67	59.2	4.4	50.0	44.1	38.1	32.2	26.3	-	54.7	5.0	48.4	42.3	36.4	30.4	24.4	-
	62	57.4	4.3	57.4	55.3	48.6	42.7	36.7	30.8	54.1	4.9	54.1	52.0	45.4	39.4	33.4	27.4
1500	77	72.6	4.5	36.0	29.9	23.8	-	-	-	68.1	5.1	34.8	28.7	22.5	-	-	-
	72	65.6	4.5	43.5	37.4	31.3	25.2	-	-	61.2	5.0	42.1	35.9	29.7	23.5	-	-
	67	58.6	4.4	51.0	44.9	38.8	32.7	26.6	-	54.3	5.0	49.3	43.2	37.0	30.8	24.6	-
	62	56.9	4.4	56.9	55.5	49.4	43.3	37.2	31.1	53.7	4.9	53.7	52.3	46.1	40.0	33.8	27.6
57	52.1	4.3	52.1	52.1	48.1	42.0	35.9	29.8	47.6	4.9	47.6	47.6	43.9	37.7	31.6	25.4	
1600	77	71.9	4.5	36.7	30.4	24.1	-	-	-	67.6	5.1	35.6	29.2	22.9	-	-	-
	72	65.0	4.5	44.3	38.0	31.8	25.5	-	-	60.8	5.0	43.0	36.6	30.2	23.9	-	-
	67	58.0	4.4	51.9	45.7	39.4	33.1	26.8	-	54.0	5.0	50.3	44.0	37.6	31.2	24.9	-
	62	56.3	4.4	56.3	55.6	50.1	43.9	37.6	31.3	53.3	4.9	53.3	52.6	46.9	40.6	34.2	27.8
57	51.6	4.3	51.6	51.6	48.8	42.6	36.3	30.0	47.3	4.9	47.3	47.3	44.7	38.3	31.9	25.6	
1700	77	71.2	4.5	37.5	31.0	24.5	-	-	-	67.2	5.1	36.4	29.8	23.2	-	-	-
	72	64.3	4.5	45.2	38.7	32.3	25.8	-	-	60.4	5.1	43.9	37.3	30.7	24.2	-	-
	67	57.4	4.5	52.9	46.5	40.0	33.5	27.1	-	53.6	5.0	51.3	44.8	38.3	31.7	25.1	-
	62	55.7	4.4	55.7	55.7	50.9	44.5	38.0	31.5	52.9	4.9	52.9	52.9	47.7	41.2	34.6	28.0
57	51.0	4.4	51.0	51.0	49.6	43.1	36.7	30.2	46.9	5.0	46.9	46.9	45.4	38.9	32.3	25.7	
2100	72	66.4	4.5	50.6	42.9	35.2	27.5	-	-	61.8	5.1	49.9	41.9	33.9	26.0	-	-
	67	59.3	4.5	57.1	51.3	43.7	36.0	28.3	-	54.8	5.0	53.7	49.2	42.2	34.2	26.3	-
	62	57.6	4.4	57.6	57.6	55.2	47.5	39.8	32.1	54.1	5.0	54.1	54.1	51.5	43.6	35.6	27.6
	57	52.7	4.4	52.7	52.7	52.0	44.3	36.6	29.0	48.0	5.0	48.0	48.0	47.3	39.3	31.3	23.3
2500	72	68.5	4.5	56.0	47.1	38.2	29.3	-	-	63.2	5.1	55.9	46.5	37.1	27.7	-	-
	67	61.2	4.5	61.2	56.2	47.3	38.4	29.5	-	56.1	5.1	56.1	53.6	46.2	36.8	27.4	-
	62	59.4	4.4	59.4	59.4	59.4	50.5	41.6	32.7	55.4	5.0	55.4	55.4	55.4	46.0	36.6	27.2
	57	54.4	4.4	54.4	54.4	54.4	45.5	36.6	27.7	49.1	5.0	49.1	49.1	49.1	39.7	30.3	20.9

NM060 (5.0 Ton) (Continued)

Air on Evaporator Coil		Temperature of Air on Condenser Coil																	
CFM	WB (°F)	Total Capacity ¹ (MBh)	Total Input (kW) ²	Sensible Capacity (MBh)						Total Capacity ¹ (MBh)	Total Input (kW) ²	Sensible Capacity (MBh)							
				Return Dry Bulb (°F)								Return Dry Bulb (°F)							
				90	85	80	75	70	65			90	85	80	75	70	65		
		115°F						125°F											
1400	77	63.9	5.6	32.9	26.8	20.8	-	-	-	59.1	6.2	31.0	25.6	19.5	-	-	-		
	72	57.1	5.6	39.8	33.7	27.7	21.6	-	-	52.4	6.1	38.4	32.3	26.1	20.0	-	-		
	67	50.3	5.5	46.7	40.6	34.6	28.5	22.4	-	45.8	6.1	45.8	38.9	32.8	26.6	20.5	-		
	62	50.7	5.5	50.7	48.7	42.1	36.1	30.0	23.9	47.3	6.0	47.3	45.4	38.9	32.8	26.6	20.5		
1500	77	63.6	5.6	33.7	27.4	21.2	-	-	-	59.1	6.2	32.9	26.2	19.9	-	-	-		
	72	56.8	5.6	40.7	34.5	28.2	21.9	-	-	52.5	6.1	39.3	33.0	26.7	20.3	-	-		
	67	50.1	5.5	47.7	41.5	35.2	28.9	22.7	-	45.8	6.1	45.8	39.8	33.4	27.1	20.8	-		
	62	50.5	5.5	50.5	49.2	42.9	36.7	30.4	24.2	47.3	6.0	47.3	46.1	39.7	33.4	27.0	20.7		
	57	43.1	5.5	43.1	43.1	39.7	33.5	27.2	21.0	38.6	6.1	38.6	38.6	35.6	29.2	22.9	16.6		
1600	77	63.4	5.6	34.5	28.0	21.6	-	-	-	59.1	6.2	34.7	26.8	20.3	-	-	-		
	72	56.6	5.6	41.6	35.2	28.7	22.3	-	-	52.5	6.2	40.3	33.7	27.2	20.6	-	-		
	67	49.9	5.6	48.7	42.3	35.9	29.4	22.9	-	45.8	6.1	45.8	40.6	34.1	27.6	21.0	-		
	62	50.3	5.5	50.3	49.7	43.7	37.3	30.8	24.4	47.3	6.0	47.3	46.7	40.5	34.0	27.4	20.9		
	57	42.9	5.5	42.9	42.9	40.5	34.0	27.6	21.1	38.6	6.1	38.6	38.6	36.3	29.8	23.2	16.7		
1700	77	63.2	5.7	35.4	28.6	22.0	-	-	-	59.1	6.2	36.6	27.4	20.7	-	-	-		
	72	56.4	5.6	42.5	35.9	29.2	22.6	-	-	52.5	6.2	41.2	34.5	27.7	21.0	-	-		
	67	49.7	5.6	49.7	43.2	36.5	29.9	23.2	-	45.9	6.1	45.9	41.5	34.8	28.0	21.3	-		
	62	50.1	5.5	50.1	50.1	44.5	37.9	31.2	24.6	47.3	6.0	47.3	47.3	41.3	34.6	27.8	21.1		
	57	42.8	5.5	42.8	42.8	41.2	34.6	27.9	21.3	38.7	6.1	38.7	38.7	37.0	30.3	23.5	16.8		
2100	72	57.1	5.6	49.2	40.9	32.7	24.4	-	-	52.5	6.2	48.5	40.0	31.4	22.8	-	-		
	67	50.3	5.6	50.3	47.0	40.8	32.5	24.2	-	45.8	6.1	45.8	44.9	39.4	30.8	22.2	-		
	62	50.7	5.5	50.7	50.7	47.9	39.7	31.4	23.1	47.3	6.1	47.3	47.3	44.3	35.7	27.2	18.6		
	57	43.3	5.6	43.3	43.3	42.5	34.3	26.0	17.7	38.6	6.1	38.6	38.6	37.8	29.2	20.6	12.1		
2500	72	57.8	5.7	55.9	46.0	36.1	26.2	-	-	52.4	6.2	52.4	45.5	35.1	24.7	-	-		
	67	50.9	5.6	50.9	50.9	45.1	35.2	25.3	-	45.8	6.2	45.8	45.8	44.0	33.6	23.2	-		
	62	51.3	5.5	51.3	51.3	51.3	41.4	31.5	21.7	47.3	6.1	47.3	47.3	47.3	36.9	26.5	16.1		
	57	43.8	5.6	43.8	43.8	43.8	33.9	24.0	14.1	38.5	6.2	38.5	38.5	38.5	28.1	17.7	7.4		

1. These capacities are Net capacities.
2. These ratings include the compressor, condenser fan and supply air blower motors.

UB024-060 Cooling Capacities

UB024 (2.0 Ton)

Air on Evaporator Coil		Temperature of Air on Condenser Coil															
CFM	WB (°F)	Total Capacity ¹ (MBh)	Total Input (kW) ²	Sensible Capacity (MBh)						Total Capacity ¹ (MBh)	Total Input (kW) ²	Sensible Capacity (MBh)					
				Return Dry Bulb (°F)								Return Dry Bulb (°F)					
				90	85	80	75	70	65			90	85	80	75	70	65
		75°F							85°F								
500	77	34.7	1.6	16.5	13.8	11.6	-	-	-	27.0	1.8	11.7	9.9	7.6	-	-	-
	72	30.0	1.6	18.2	16.1	13.9	11.7	-	-	24.4	1.7	15.3	13.0	10.8	8.5	-	-
	67	25.2	1.5	20.0	18.3	16.2	14.1	11.9	-	21.7	1.7	19.0	16.2	13.9	11.6	9.3	-
	62	23.8	1.5	23.8	23.8	21.6	19.4	17.2	15.1	19.3	1.7	19.3	19.3	16.2	13.9	11.7	9.4
600	77	34.8	1.7	17.5	14.9	12.3	-	-	-	27.9	1.8	13.7	11.0	8.4	-	-	-
	72	29.9	1.6	19.6	16.9	14.3	11.7	-	-	25.1	1.8	17.1	14.5	11.8	9.2	-	-
	67	25.0	1.6	21.6	18.9	16.3	13.7	11.0	-	22.4	1.8	20.5	17.9	15.3	12.6	10.0	-
	62	23.7	1.6	23.7	23.7	22.3	19.6	17.0	14.4	19.8	1.7	19.8	19.8	17.8	15.2	12.5	9.9
57	27.0	1.6	27.0	27.0	25.2	22.6	19.9	17.3	21.6	1.8	21.6	21.6	19.4	16.7	14.1	11.4	
700	77	34.9	1.7	18.6	16.0	12.9	-	-	-	28.7	1.9	15.7	12.2	9.2	-	-	-
	72	29.9	1.7	20.9	17.8	14.7	11.6	-	-	25.9	1.8	18.9	15.9	12.9	9.9	-	-
	67	24.9	1.6	23.2	19.5	16.4	13.3	10.2	-	23.0	1.8	22.1	19.6	16.6	13.6	10.6	-
	62	23.7	1.6	23.7	23.7	23.0	19.9	16.8	13.7	20.4	1.8	20.4	20.4	19.4	16.4	13.4	10.4
57	27.0	1.7	27.0	27.0	26.1	23.0	19.9	16.8	22.2	1.8	22.2	22.2	21.1	18.1	15.1	12.1	
800	77	35.0	1.8	19.6	17.1	13.6	-	-	-	29.5	1.9	17.7	13.3	9.9	-	-	-
	72	29.9	1.7	22.2	18.6	15.0	11.5	-	-	26.6	1.9	20.7	17.3	14.0	10.6	-	-
	67	24.7	1.6	24.7	20.1	16.5	12.9	9.3	-	23.7	1.8	23.7	21.4	18.0	14.7	11.3	-
	62	23.7	1.6	23.7	23.7	23.7	20.1	16.5	13.0	21.0	1.8	21.0	21.0	21.0	17.7	14.3	10.9
57	27.1	1.7	27.1	27.1	27.1	23.5	20.0	16.4	22.9	1.9	22.9	22.9	22.9	19.5	16.1	12.8	
900	72	31.1	1.7	24.5	20.6	16.6	12.7	-	-	27.3	1.9	22.3	18.6	14.8	11.1	-	-
	67	25.8	1.6	25.8	22.9	18.5	14.5	10.6	-	24.3	1.8	24.3	22.9	19.1	15.4	11.6	-
	62	24.6	1.6	24.6	24.6	24.6	20.7	16.7	12.8	21.6	1.8	21.6	21.6	21.6	17.8	14.1	10.3
	57	28.1	1.7	28.1	28.1	28.1	24.2	20.3	16.3	23.5	1.9	23.5	23.5	23.5	19.7	16.0	12.2
1000	72	32.3	1.7	26.8	22.5	18.2	13.9	-	-	28.0	1.9	23.9	19.8	15.7	11.5	-	-
	67	26.8	1.6	26.8	25.6	20.5	16.2	11.8	-	25.0	1.8	25.0	24.4	20.2	16.1	11.9	-
	62	25.6	1.6	25.6	25.6	25.6	21.3	17.0	12.6	22.2	1.8	22.2	22.2	22.2	18.0	13.9	9.7
	57	29.2	1.7	29.2	29.2	29.2	24.9	20.6	16.2	24.1	1.9	24.1	24.1	24.1	19.9	15.8	11.7
		95°F							105°F								
500	77	19.3	1.9	6.8	6.0	3.7	-	-	-	20.1	2.2	8.7	6.1	4.6	-	-	-
	72	18.8	1.9	12.4	10.0	7.6	5.2	-	-	18.3	2.1	12.5	10.2	7.9	5.7	-	-
	67	18.2	1.9	17.9	14.0	11.6	9.2	6.8	-	16.5	2.1	16.4	14.4	11.3	9.0	6.7	-
	62	14.7	1.8	14.7	14.7	10.8	8.5	6.1	3.7	14.0	2.1	14.0	14.0	10.4	8.1	5.8	3.5
600	77	20.9	2.0	9.8	7.2	4.5	-	-	-	21.0	2.2	11.8	7.9	5.3	-	-	-
	72	20.3	2.0	14.7	12.0	9.4	6.7	-	-	19.1	2.2	14.5	11.9	9.3	6.7	-	-
	67	19.7	1.9	19.5	16.9	14.2	11.6	8.9	-	17.3	2.1	17.2	15.9	13.3	10.7	8.1	-
	62	16.0	1.9	16.0	16.0	13.3	10.7	8.1	5.4	14.6	2.1	14.6	14.6	12.3	9.6	7.0	4.4
57	16.2	1.9	16.2	16.2	13.5	10.9	8.2	5.6	14.8	2.1	14.8	14.8	12.4	9.8	7.2	4.6	
700	77	22.5	2.0	12.8	8.3	5.4	-	-	-	21.8	2.3	15.0	9.8	6.0	-	-	-
	72	21.8	2.0	16.9	14.0	11.1	8.2	-	-	19.9	2.2	16.5	13.6	10.6	7.7	-	-
	67	21.2	2.0	21.1	19.8	16.9	14.0	11.1	-	18.0	2.2	18.0	17.3	15.2	12.3	9.4	-
	62	17.2	1.9	17.2	17.2	15.8	12.9	10.0	7.1	15.3	2.2	15.3	15.3	14.1	11.1	8.2	5.3
57	17.4	2.0	17.4	17.4	16.1	13.2	10.3	7.4	15.5	2.2	15.5	15.5	14.3	11.3	8.4	5.5	
800	77	24.1	2.1	15.8	9.5	6.2	-	-	-	22.6	2.3	18.1	11.6	6.8	-	-	-
	72	23.4	2.1	19.2	16.1	12.9	9.7	-	-	20.7	2.3	18.5	15.2	12.0	8.7	-	-
	67	22.6	2.1	22.6	22.6	19.6	16.4	13.2	-	18.8	2.3	18.8	18.8	17.2	14.0	10.7	-
	62	18.4	2.0	18.4	18.4	18.4	15.2	12.0	8.9	15.9	2.2	15.9	15.9	15.9	12.6	9.4	6.2
57	18.6	2.1	18.6	18.6	18.6	15.4	12.3	9.1	16.1	2.2	16.1	16.1	16.1	12.9	9.6	6.4	
900	72	23.6	2.1	20.1	16.6	13.0	9.5	-	-	21.2	2.3	18.0	15.1	12.2	9.3	-	-
	67	22.9	2.1	22.9	22.9	19.8	16.2	12.6	-	19.3	2.3	19.3	19.3	17.5	14.6	11.7	-
	62	18.5	2.0	18.5	18.5	18.5	15.0	11.4	7.9	16.3	2.2	16.3	16.3	16.1	13.2	10.3	7.4
	57	18.8	2.1	18.8	18.8	18.8	15.2	11.7	8.1	16.5	2.3	16.5	16.5	16.3	13.4	10.5	7.6
1000	72	23.8	2.1	21.1	17.1	13.2	9.2	-	-	21.7	2.3	17.5	14.9	12.4	9.8	-	-
	67	23.1	2.1	23.1	23.1	20.0	16.0	12.1	-	19.7	2.3	19.7	19.7	17.7	15.1	12.6	-
	62	18.7	2.0	18.7	18.7	18.7	14.8	10.8	6.9	16.7	2.3	16.7	16.7	16.4	13.8	11.2	8.6
	57	19.0	2.1	19.0	19.0	19.0	15.0	11.1	7.1	16.9	2.3	16.9	16.9	16.6	14.0	11.4	8.9

UB024 (2.0 Ton) (Continued)

Air on Evaporator Coil		Temperature of Air on Condenser Coil															
CFM	WB (°F)	Total Capacity ¹ (MBh)	Total Input (kW) ²	Sensible Capacity (MBh)						Total Capacity ¹ (MBh)	Total Input (kW) ²	Sensible Capacity (MBh)					
				Return Dry Bulb (°F)								Return Dry Bulb (°F)					
				90	85	80	75	70	65			90	85	80	75	70	65
		115°F						125°F									
500	77	20.9	2.4	10.6	6.2	5.5	-	-	-	21.7	2.7	14.1	8.3	5.7	-	-	-
	72	17.9	2.4	12.7	10.5	8.3	6.1	-	-	17.4	2.6	12.9	10.7	8.6	6.5	-	-
	67	14.8	2.3	14.8	14.8	11.1	8.9	6.7	-	13.1	2.5	13.1	13.1	11.0	8.7	6.6	-
	62	13.3	2.3	13.3	13.3	10.0	7.8	5.6	3.4	12.5	2.5	12.5	12.5	9.6	7.5	5.4	3.2
600	77	21.0	2.5	13.9	8.7	6.1	-	-	-	21.1	2.7	16.0	10.9	6.9	-	-	-
	72	17.9	2.4	14.4	11.8	9.2	6.6	-	-	16.8	2.7	14.2	11.7	9.1	6.6	-	-
	67	14.9	2.4	14.9	14.9	12.3	9.8	7.2	-	12.5	2.6	12.5	12.5	11.4	8.9	6.3	-
	62	13.3	2.3	13.3	13.3	11.2	8.6	6.0	3.4	12.0	2.6	12.0	12.0	10.1	7.5	5.0	2.4
57	13.5	2.3	13.5	13.5	11.3	8.7	6.2	3.6	12.2	2.5	12.2	12.2	10.2	7.7	5.1	2.6	
700	77	21.1	2.5	17.1	11.2	6.7	-	-	-	20.4	2.8	17.8	13.4	8.0	-	-	-
	72	18.0	2.5	16.0	13.1	10.1	7.2	-	-	16.1	2.7	15.6	12.6	9.6	6.7	-	-
	67	14.9	2.4	14.9	14.9	13.6	10.7	7.7	-	11.8	2.6	11.8	11.8	11.8	9.0	6.0	-
	62	13.4	2.4	13.4	13.4	12.3	9.3	6.4	3.5	11.5	2.6	11.5	11.5	10.5	7.5	4.6	1.6
57	13.6	2.4	13.6	13.6	12.5	9.5	6.6	3.6	11.6	2.6	11.6	11.6	10.7	7.7	4.7	1.8	
800	77	21.2	2.6	20.4	13.8	7.3	-	-	-	19.7	2.8	19.7	15.9	9.2	-	-	-
	72	18.1	2.5	17.7	14.4	11.1	7.8	-	-	15.4	2.7	15.4	13.5	10.2	6.8	-	-
	67	15.0	2.5	15.0	15.0	14.8	11.5	8.2	-	11.1	2.7	11.1	11.1	11.1	9.1	5.7	-
	62	13.4	2.4	13.4	13.4	13.4	10.1	6.8	3.5	10.9	2.7	10.9	10.9	10.9	7.6	4.2	0.8
57	13.6	2.4	13.6	13.6	13.6	10.3	7.0	3.7	11.1	2.6	11.1	11.1	11.1	7.7	4.3	1.0	
900	72	18.9	2.5	15.8	13.6	11.3	9.1	-	-	16.5	2.8	13.7	12.1	10.5	8.9	-	-
	67	15.6	2.5	15.6	15.6	15.2	12.9	10.7	-	12.0	2.7	12.0	12.0	12.0	11.3	9.7	-
	62	14.0	2.5	14.0	14.0	13.7	11.4	9.2	6.9	11.7	2.7	11.7	11.7	11.3	9.7	8.1	6.5
	57	14.2	2.5	14.2	14.2	13.9	11.6	9.4	7.1	11.9	2.6	11.9	11.9	11.4	9.8	8.2	6.6
1000	72	19.7	2.6	14.0	12.8	11.6	10.4	-	-	17.6	2.8	10.4	10.6	10.8	10.9	-	-
	67	16.3	2.5	16.3	16.3	15.5	14.3	13.1	-	12.9	2.7	12.9	12.9	12.9	12.9	12.9	-
	62	14.6	2.5	14.6	14.6	14.0	12.8	11.6	10.4	12.5	2.7	12.5	12.5	11.6	11.8	12.0	12.2
	57	14.8	2.5	14.8	14.8	14.2	13.0	11.8	10.6	12.7	2.7	12.7	12.7	11.8	12.0	12.1	12.3

1. These capacities are Net capacities.
2. These ratings include the compressor, condenser fan and supply air blower motors.

UB030 (2.5 Ton)

Air on Evaporator Coil		Temperature of Air on Condenser Coil																	
CFM	WB (°F)	Total Capacity ¹ (MBh)	Total Input (kW) ²	Sensible Capacity (MBh)						Total Capacity ¹ (MBh)	Total Input (kW) ²	Sensible Capacity (MBh)							
				Return Dry Bulb (°F)								Return Dry Bulb (°F)							
				90	85	80	75	70	65			90	85	80	75	70	65		
				75°F								85°F							
900	77	33.7	2.1	16.6	12.8	9.4	-	-	-	33.3	2.2	15.4	12.5	9.1	-	-	-		
	72	31.8	2.0	21.0	17.5	14.0	10.6	-	-	31.1	2.2	20.6	17.1	13.7	10.3	-	-		
	67	30.0	2.0	25.3	22.1	18.7	15.2	11.7	-	28.8	2.2	25.7	21.8	18.3	14.9	11.5	-		
	62	27.4	2.0	27.4	27.4	23.5	20.0	16.6	13.1	26.3	2.1	26.3	26.3	21.9	18.5	15.1	11.7		
950	77	34.7	2.1	17.6	13.9	10.3	-	-	-	33.9	2.2	17.2	13.6	9.9	-	-	-		
	72	32.8	2.0	22.6	19.0	15.3	11.7	-	-	31.6	2.2	22.3	18.6	14.9	11.3	-	-		
	67	30.9	1.9	27.7	24.1	20.4	16.8	13.1	-	29.4	2.2	27.3	23.6	20.0	16.3	12.6	-		
	62	28.2	1.9	28.2	28.2	25.7	22.0	18.4	14.7	26.8	2.1	26.8	26.8	23.9	20.2	16.6	12.9		
57	27.1	1.9	27.1	27.1	24.5	20.8	17.2	13.5	26.3	2.1	26.3	26.3	23.5	19.8	16.1	12.5			
1000	77	35.7	2.0	18.5	15.0	11.1	-	-	-	34.5	2.2	19.1	14.6	10.7	-	-	-		
	72	33.7	2.0	24.3	20.5	16.7	12.8	-	-	32.2	2.2	24.0	20.1	16.2	12.3	-	-		
	67	31.7	1.9	30.2	26.0	22.2	18.3	14.5	-	29.9	2.2	28.9	25.5	21.6	17.7	13.8	-		
	62	29.0	1.9	29.0	29.0	27.9	24.1	20.2	16.4	27.3	2.1	27.3	27.3	25.9	22.0	18.1	14.2		
57	27.9	1.9	27.9	27.9	26.5	22.7	18.9	15.0	26.8	2.1	26.8	26.8	25.4	21.5	17.6	13.7			
1050	77	36.7	2.0	19.4	16.0	12.0	-	-	-	35.1	2.2	20.9	15.7	11.5	-	-	-		
	72	34.7	1.9	26.0	22.0	18.0	14.0	-	-	32.8	2.2	25.7	21.5	17.4	13.2	-	-		
	67	32.6	1.9	32.6	27.9	23.9	19.9	15.9	-	30.4	2.2	30.4	27.4	23.2	19.1	15.0	-		
	62	29.8	1.9	29.8	29.8	29.8	26.1	22.0	18.0	27.8	2.1	27.8	27.8	27.8	23.7	19.5	15.4		
57	28.6	1.9	28.6	28.6	28.6	24.6	20.6	16.6	27.3	2.1	27.3	27.3	27.3	23.2	19.0	14.9			
1150	72	34.6	2.1	27.0	22.8	18.6	14.4	-	-	32.6	2.3	26.8	22.4	18.1	13.7	-	-		
	67	32.5	2.0	32.5	29.7	24.8	20.6	16.4	-	30.3	2.3	30.3	28.5	24.2	19.8	15.5	-		
	62	29.7	2.0	29.7	29.7	29.7	25.7	21.5	17.3	27.7	2.2	27.7	27.7	27.7	23.3	19.0	14.6		
	57	28.6	2.0	28.6	28.6	28.6	24.4	20.2	16.0	27.2	2.2	27.2	27.2	27.2	22.8	18.5	14.1		
1250	72	34.5	2.2	28.0	23.6	19.3	14.9	-	-	32.5	2.4	27.8	23.3	18.8	14.2	-	-		
	67	32.5	2.1	32.5	31.4	25.7	21.3	16.9	-	30.1	2.4	30.1	29.6	25.1	20.5	16.0	-		
	62	29.7	2.1	29.7	29.7	29.7	25.3	20.9	16.6	27.5	2.4	27.5	27.5	27.5	23.0	18.4	13.9		
	57	28.5	2.1	28.5	28.5	28.5	24.1	19.8	15.4	27.0	2.4	27.0	27.0	27.0	22.5	18.0	13.4		
				95°F								105°F							
900	77	32.9	2.4	14.2	12.2	8.8	-	-	-	33.9	2.7	14.0	11.4	8.7	-	-	-		
	72	30.3	2.4	20.2	16.8	13.4	10.0	-	-	30.3	2.7	20.0	16.6	13.2	9.8	-	-		
	67	27.7	2.4	26.1	21.4	18.0	14.6	11.2	-	26.7	2.7	25.9	21.8	17.7	14.3	10.9	-		
	62	25.2	2.3	25.2	25.2	20.4	17.0	13.6	10.3	24.8	2.6	24.8	24.3	19.1	15.7	12.3	8.9		
950	77	33.1	2.4	16.9	13.2	9.6	-	-	-	33.1	2.7	17.2	12.9	9.3	-	-	-		
	72	30.5	2.4	21.9	18.2	14.5	10.9	-	-	29.6	2.7	21.4	17.7	14.1	10.4	-	-		
	67	27.9	2.4	26.9	23.2	19.5	15.8	12.2	-	26.1	2.7	25.6	22.5	18.9	15.2	11.5	-		
	62	25.4	2.4	25.4	25.4	22.1	18.4	14.8	11.1	24.2	2.6	24.2	23.9	20.4	16.7	13.0	9.3		
57	25.6	2.4	25.6	25.6	22.5	18.8	15.1	11.5	26.0	2.6	26.0	25.3	21.9	18.2	14.6	10.9			
1000	77	33.3	2.4	19.6	14.3	10.3	-	-	-	32.2	2.7	20.4	14.4	9.8	-	-	-		
	72	30.7	2.4	23.6	19.6	15.7	11.7	-	-	28.9	2.7	22.8	18.9	14.9	11.0	-	-		
	67	28.1	2.4	27.6	25.0	21.0	17.1	13.1	-	25.5	2.7	25.2	23.3	20.0	16.1	12.2	-		
	62	25.6	2.4	25.6	25.6	23.8	19.9	15.9	11.9	23.6	2.7	23.6	23.4	21.6	17.7	13.7	9.8		
57	25.8	2.4	25.8	25.8	24.2	20.3	16.3	12.3	25.3	2.7	25.3	24.9	23.2	19.3	15.4	11.4			
1050	77	33.6	2.4	22.3	15.3	11.1	-	-	-	31.4	2.8	23.6	15.9	10.4	-	-	-		
	72	30.9	2.4	25.3	21.1	16.8	12.5	-	-	28.1	2.8	24.2	20.0	15.8	11.6	-	-		
	67	28.3	2.4	28.3	26.8	22.5	18.3	14.0	-	24.9	2.7	24.9	24.1	21.2	17.0	12.8	-		
	62	25.8	2.4	25.8	25.8	25.5	21.3	17.0	12.8	23.0	2.7	23.0	23.0	22.9	18.7	14.5	10.3		
57	26.0	2.4	26.0	26.0	26.0	21.7	17.5	13.2	24.6	2.7	24.6	24.6	24.6	20.4	16.2	11.9			
1150	72	30.7	2.5	26.5	22.0	17.5	13.0	-	-	27.8	2.9	24.9	20.5	16.0	11.5	-	-		
	67	28.1	2.5	28.1	27.3	23.5	19.0	14.5	-	24.6	2.8	24.6	24.3	21.4	17.0	12.5	-		
	62	25.6	2.5	25.6	25.6	25.5	21.0	16.5	12.0	22.8	2.8	22.8	22.8	22.6	18.1	13.7	9.2		
	57	25.8	2.5	25.8	25.8	25.8	21.3	16.8	12.3	24.4	2.8	24.4	24.4	24.2	19.7	15.2	10.8		
1250	72	30.4	2.6	27.7	23.0	18.3	13.5	-	-	27.6	3.0	25.6	20.9	16.2	11.4	-	-		
	67	27.8	2.6	27.8	27.8	24.5	19.8	15.1	-	24.4	2.9	24.4	24.4	21.7	16.9	12.2	-		
	62	25.4	2.6	25.4	25.4	25.4	20.7	16.0	11.2	22.6	2.9	22.6	22.6	22.3	17.6	12.8	8.1		
	57	25.6	2.6	25.6	25.6	25.6	20.9	16.1	11.4	24.1	2.9	24.1	24.1	23.8	19.1	14.3	9.6		

UB030 (2.5 Ton) (Continued)

Air on Evaporator Coil		Temperature of Air on Condenser Coil															
CFM	WB (°F)	Total Capacity ¹ (MBh)	Total Input (kW) ²	Sensible Capacity (MBh)						Total Capacity ¹ (MBh)	Total Input (kW) ²	Sensible Capacity (MBh)					
				Return Dry Bulb (°F)								Return Dry Bulb (°F)					
				90	85	80	75	70	65			90	85	80	75	70	65
		115°F						125°F									
900	77	35.0	3.0	13.9	10.7	8.6	-	-	-	36.1	3.4	14.5	9.5	8.2	-	-	-
	72	30.4	3.0	19.8	16.4	13.0	9.6	-	-	30.4	3.3	19.6	16.2	12.8	9.3	-	-
	67	25.7	2.9	25.7	22.1	17.4	14.0	10.6	-	24.8	3.2	24.8	22.5	17.1	13.7	10.2	-
	62	24.4	2.9	24.4	23.3	17.8	14.4	10.9	7.5	23.9	3.2	23.9	22.3	16.5	13.0	9.6	6.2
950	77	33.1	3.1	17.6	12.6	9.0	-	-	-	33.0	3.4	18.4	12.3	8.7	-	-	-
	72	28.7	3.0	20.9	17.3	13.6	9.9	-	-	27.8	3.3	20.5	16.8	13.1	9.5	-	-
	67	24.3	3.0	24.3	21.9	18.2	14.6	10.9	-	22.5	3.2	22.5	21.3	17.6	13.9	10.3	-
	62	23.0	2.9	23.0	22.3	18.6	14.9	11.3	7.6	21.8	3.2	21.8	20.7	16.9	13.2	9.5	5.9
57	26.3	2.9	26.3	25.0	21.3	17.6	14.0	10.3	26.7	3.2	26.7	24.7	20.7	17.0	13.4	9.7	-
1000	77	31.1	3.1	21.2	14.6	9.4	-	-	-	30.0	3.4	22.3	15.1	9.2	-	-	-
	72	27.0	3.0	22.1	18.1	14.2	10.3	-	-	25.1	3.3	21.3	17.4	13.5	9.6	-	-
	67	22.9	3.0	22.9	21.7	19.1	15.1	11.2	-	20.3	3.3	20.3	20.0	18.1	14.2	10.3	-
	62	21.7	3.0	21.7	21.3	19.5	15.5	11.6	7.7	19.7	3.2	19.7	19.1	17.3	13.4	9.5	5.6
57	24.8	2.9	24.8	24.1	22.3	18.3	14.4	10.5	24.3	3.2	24.3	23.3	21.3	17.4	13.5	9.6	-
1050	77	29.2	3.1	24.9	16.6	9.8	-	-	-	27.0	3.5	26.2	17.9	9.7	-	-	-
	72	25.3	3.1	23.2	19.0	14.8	10.7	-	-	22.5	3.4	22.1	18.0	13.8	9.7	-	-
	67	21.4	3.0	21.4	21.4	19.9	15.7	11.5	-	18.0	3.3	18.0	18.0	18.0	14.4	10.3	-
	62	20.3	3.0	20.3	20.3	20.3	16.1	11.9	7.8	17.5	3.3	17.5	17.5	17.5	13.5	9.4	5.3
57	23.2	3.0	23.2	23.2	23.2	19.1	14.9	10.7	21.9	3.2	21.9	21.9	21.9	17.7	13.6	9.5	-
1150	72	25.0	3.2	23.4	18.9	14.4	10.0	-	-	22.2	3.5	21.8	17.4	12.9	8.4	-	-
	67	21.2	3.1	21.2	21.2	19.4	14.9	10.4	-	17.8	3.4	17.8	17.8	17.3	12.8	8.4	-
	62	20.1	3.1	20.1	20.1	19.8	15.3	10.8	6.4	17.3	3.4	17.3	17.3	16.9	12.5	8.0	3.6
	57	23.0	3.1	23.0	23.0	22.6	18.2	13.7	9.2	21.5	3.4	21.5	21.5	21.0	16.6	12.1	7.7
1250	72	24.7	3.3	23.6	18.8	14.1	9.3	-	-	21.8	3.7	21.5	16.7	12.0	7.2	-	-
	67	20.9	3.2	20.9	20.9	18.8	14.1	9.3	-	17.5	3.6	17.5	17.5	16.0	11.2	6.5	-
	62	19.8	3.2	19.8	19.8	19.2	14.5	9.7	5.0	17.0	3.5	17.0	17.0	16.2	11.4	6.6	1.8
	57	22.7	3.2	22.7	22.7	22.0	17.3	12.5	7.8	21.2	3.5	21.2	21.2	20.2	15.5	10.7	5.9

1. These capacities are Net capacities.
2. These ratings include the compressor, condenser fan and supply air blower motors.

UB036 (3.0 Ton)

Air on Evaporator Coil		Temperature of Air on Condenser Coil																	
CFM	WB (°F)	Total Capacity ¹ (MBh)	Total Input (kW) ²	Sensible Capacity (MBh)						Total Capacity ¹ (MBh)	Total Input (kW) ²	Sensible Capacity (MBh)							
				Return Dry Bulb (°F)								Return Dry Bulb (°F)							
				90	85	80	75	70	65			90	85	80	75	70	65		
				75°F								85°F							
1000	77	44.4	2.5	22.6	16.9	12.4	-	-	-	41.0	2.7	19.5	15.1	10.6	-	-	-		
	72	41.2	2.5	26.9	22.4	17.9	13.4	-	-	37.8	2.7	25.0	20.5	16.1	11.6	-	-		
	67	37.9	2.4	31.1	27.8	23.4	18.9	14.4	-	34.7	2.7	30.4	26.0	21.5	17.1	12.6	-		
	62	34.9	2.4	34.9	34.9	29.9	25.4	21.0	16.5	31.1	2.7	31.1	31.1	25.9	21.5	17.0	12.6		
1100	77	45.8	2.5	22.8	18.2	13.5	-	-	-	42.6	2.8	21.2	16.5	11.8	-	-	-		
	72	42.5	2.5	28.7	24.0	19.3	14.7	-	-	39.4	2.8	27.2	22.5	17.8	13.2	-	-		
	67	39.1	2.5	34.6	29.9	25.2	20.5	15.9	-	36.1	2.8	33.2	28.5	23.9	19.2	14.5	-		
	62	36.1	2.5	36.1	36.1	32.4	27.7	23.0	18.4	32.3	2.7	32.3	32.3	28.7	24.0	19.4	14.7		
1200	77	47.2	2.6	23.1	19.4	14.5	-	-	-	44.3	2.9	22.8	17.9	13.0	-	-	-		
	72	43.8	2.6	30.5	25.7	20.8	15.9	-	-	40.9	2.8	29.4	24.5	19.6	14.7	-	-		
	67	40.3	2.6	38.0	31.9	27.1	22.2	17.3	-	37.5	2.8	36.0	31.1	26.2	21.3	16.4	-		
	62	37.2	2.5	37.2	37.2	34.9	30.0	25.1	20.2	33.6	2.8	33.6	33.6	31.5	26.6	21.7	16.8		
1300	77	48.6	2.7	23.3	20.7	15.6	-	-	-	45.9	2.9	24.4	19.3	14.1	-	-	-		
	72	45.1	2.6	32.4	27.3	22.2	17.2	-	-	42.4	2.9	31.6	26.5	21.3	16.2	-	-		
	67	41.5	2.6	41.4	34.0	28.9	23.8	18.7	-	38.9	2.9	38.8	33.7	28.5	23.4	18.2	-		
	62	38.3	2.6	38.3	38.3	37.3	33.3	27.2	22.1	34.8	2.9	34.8	34.8	34.3	29.2	24.1	18.9		
1350	72	46.0	2.7	33.4	28.2	22.9	17.7	-	-	42.9	3.0	32.4	27.0	21.7	16.4	-	-		
	67	42.4	2.7	42.3	35.1	29.8	24.6	19.4	-	39.3	3.0	39.3	34.4	29.1	23.7	18.4	-		
	62	39.1	2.6	39.1	39.1	38.6	33.3	28.1	22.9	35.2	2.9	35.2	35.2	35.0	29.6	24.3	19.0		
	57	38.4	2.7	38.4	38.4	38.4	33.2	27.9	22.7	35.5	2.9	35.5	35.5	35.5	30.2	24.9	19.5		
1400	72	46.9	2.8	34.5	29.1	23.7	18.2	-	-	43.3	3.0	33.1	27.6	22.1	16.6	-	-		
	67	43.2	2.7	43.2	36.2	30.8	25.4	20.0	-	39.7	3.0	39.7	35.1	29.6	24.1	18.6	-		
	62	39.8	2.7	39.8	39.8	39.8	34.4	29.0	23.6	35.6	3.0	35.6	35.6	35.6	30.1	24.6	19.1		
	57	39.2	2.7	39.2	39.2	39.2	33.8	28.4	23.0	35.9	3.0	35.9	35.9	35.9	30.4	24.9	19.4		
				95°F								105°F							
1000	77	37.6	3.0	16.5	13.2	8.8	-	-	-	35.6	3.4	16.5	11.9	8.1	-	-	-		
	72	34.5	3.0	23.1	18.7	14.3	9.9	-	-	32.0	3.3	21.9	17.6	13.3	8.9	-	-		
	67	31.5	3.0	29.7	24.1	19.7	15.3	10.9	-	28.3	3.3	27.4	23.3	18.5	14.1	9.8	-		
	62	27.3	2.9	27.3	27.3	21.9	17.5	13.1	8.7	25.4	3.3	25.4	25.4	20.0	15.7	11.4	7.0		
1100	77	39.5	3.0	19.5	14.8	10.1	-	-	-	37.2	3.4	19.9	13.9	9.3	-	-	-		
	72	36.3	3.0	25.7	21.0	16.3	11.6	-	-	33.4	3.4	24.5	19.8	15.2	10.6	-	-		
	67	33.1	3.0	31.9	27.2	22.5	17.8	13.2	-	29.6	3.4	29.0	25.8	21.1	16.5	11.9	-		
	62	28.6	3.0	28.6	28.6	25.0	20.4	15.7	11.0	26.5	3.3	26.5	26.5	23.0	18.3	13.7	9.1		
1200	77	41.3	3.1	22.5	16.3	11.4	-	-	-	38.8	3.5	23.4	15.9	10.5	-	-	-		
	72	38.0	3.1	28.3	23.3	18.4	13.4	-	-	34.9	3.5	27.0	22.1	17.2	12.2	-	-		
	67	34.6	3.1	34.0	30.3	25.3	20.4	15.5	-	30.9	3.4	30.6	28.3	23.8	18.9	14.0	-		
	62	30.0	3.1	30.0	30.0	28.2	23.3	18.3	13.4	27.7	3.4	27.7	27.7	25.9	21.0	16.1	11.1		
1300	77	43.2	3.2	25.5	17.9	12.7	-	-	-	40.4	3.5	26.9	17.9	11.7	-	-	-		
	72	39.7	3.2	30.8	25.6	20.4	15.2	-	-	36.3	3.5	29.5	24.3	19.1	13.9	-	-		
	67	36.2	3.2	36.2	33.4	28.2	23.0	17.7	-	32.2	3.5	32.2	30.8	26.5	21.3	16.1	-		
	62	31.4	3.1	31.4	31.4	31.4	26.1	20.9	15.7	28.8	3.5	28.8	28.8	28.8	23.6	18.4	13.2		
1350	72	39.7	3.2	31.3	25.9	20.5	15.1	-	-	36.3	3.6	30.0	24.6	19.2	13.8	-	-		
	67	36.2	3.2	36.2	33.7	28.3	22.9	17.5	-	32.2	3.6	32.2	30.9	26.7	21.3	15.9	-		
	62	31.3	3.2	31.3	31.3	31.3	25.9	20.5	15.1	28.8	3.5	28.8	28.8	28.8	23.4	18.0	12.6		
	57	32.6	3.2	32.6	32.6	32.6	27.2	21.8	16.4	30.4	3.3	30.4	30.4	30.4	25.0	19.6	14.2		
1400	72	39.7	3.3	31.8	26.2	20.6	15.0	-	-	36.3	3.6	30.5	24.9	19.3	13.7	-	-		
	67	36.2	3.3	36.2	34.0	28.4	22.8	17.2	-	32.2	3.6	32.2	31.1	26.8	21.2	15.6	-		
	62	31.3	3.2	31.3	31.3	31.3	25.7	20.1	14.5	28.8	3.6	28.8	28.8	28.8	23.2	17.6	12.0		
	57	32.6	3.3	32.6	32.6	32.6	27.0	21.4	15.8	30.4	3.4	30.4	30.4	30.4	24.8	19.2	13.6		

UB036 (3.0 Ton) (Continued)

Air on Evaporator Coil		Temperature of Air on Condenser Coil																	
CFM	WB (°F)	Total Capacity ¹ (MBh)	Total Input (kW) ²	Sensible Capacity (MBh)						Total Capacity ¹ (MBh)	Total Input (kW) ²	Sensible Capacity (MBh)							
				Return Dry Bulb (°F)								Return Dry Bulb (°F)							
				90	85	80	75	70	65			90	85	80	75	70	65		
		115°F						125°F											
1000	77	33.7	3.7	16.4	10.6	7.4	-	-	-	31.7	4.1	17.3	9.0	6.6	-	-	-		
	72	29.4	3.7	20.8	16.5	12.3	8.0	-	-	26.8	4.0	19.7	15.5	11.3	7.1	-	-		
	67	25.1	3.6	25.1	22.5	17.2	13.0	8.7	-	22.0	4.0	22.0	22.0	16.0	11.8	7.6	-		
	62	23.5	3.6	23.5	23.5	18.2	13.9	9.7	5.4	21.6	4.0	21.6	21.6	16.3	12.1	8.0	3.8		
1100	77	35.0	3.8	20.4	13.0	8.5	-	-	-	32.7	4.2	21.5	12.4	7.6	-	-	-		
	72	30.6	3.7	23.3	18.7	14.1	9.6	-	-	27.7	4.1	22.1	17.5	13.0	8.5	-	-		
	67	26.1	3.7	26.1	24.4	19.8	15.2	10.6	-	22.7	4.0	22.7	22.7	18.4	13.9	9.4	-		
	62	24.4	3.7	24.4	24.4	20.9	16.3	11.7	7.2	22.3	4.0	22.3	22.3	18.8	14.3	9.8	5.2		
1200	77	36.3	3.9	24.3	15.5	9.6	-	-	-	33.8	4.2	25.6	15.9	8.6	-	-	-		
	72	31.7	3.8	25.7	20.8	16.0	11.1	-	-	28.6	4.2	24.5	19.6	14.7	9.9	-	-		
	67	27.1	3.8	27.1	26.2	22.3	17.5	12.6	-	23.4	4.1	23.4	23.4	20.8	16.0	11.1	-		
	62	25.4	3.7	25.4	25.4	23.6	18.7	13.8	8.9	23.1	4.1	23.1	23.1	21.3	16.4	11.5	6.7		
1300	77	37.6	3.9	28.3	17.9	10.7	-	-	-	34.8	4.3	29.7	19.3	9.7	-	-	-		
	72	32.9	3.9	28.2	23.0	17.8	12.6	-	-	29.4	4.2	26.9	21.7	16.5	11.3	-	-		
	67	28.1	3.8	28.1	28.1	24.9	19.7	14.5	-	24.1	4.1	24.1	24.1	23.3	18.1	12.9	-		
	62	26.3	3.8	26.3	26.3	26.3	21.1	15.9	10.7	23.8	4.1	23.8	23.8	23.8	18.5	13.3	8.1		
1350	77	38.3	3.4	28.3	28.3	28.3	23.1	17.9	12.7	26.1	3.5	26.1	26.1	26.1	20.9	15.7	10.5		
	72	32.9	3.9	28.7	23.3	17.9	12.5	-	-	29.5	4.3	27.5	22.0	16.6	11.2	-	-		
	67	28.1	3.9	28.1	28.1	25.1	19.7	14.3	-	24.1	4.2	24.1	24.1	23.5	18.1	12.7	-		
	62	26.3	3.9	26.3	26.3	26.3	20.9	15.5	10.0	23.8	4.2	23.8	23.8	23.8	18.4	12.9	7.5		
1400	77	38.3	3.4	28.3	28.3	28.3	22.9	17.5	12.0	26.2	3.6	26.2	26.2	26.2	20.7	15.3	9.9		
	72	32.9	4.0	29.3	23.7	18.0	12.4	-	-	29.5	4.4	28.0	22.4	16.8	11.1	-	-		
	67	28.1	4.0	28.1	28.1	25.3	19.6	14.0	-	24.1	4.3	24.1	24.1	23.7	18.1	12.4	-		
	62	26.3	3.9	26.3	26.3	26.3	20.7	15.1	9.4	23.8	4.3	23.8	23.8	23.8	18.2	12.5	6.9		
1400	77	28.3	3.5	28.3	28.3	28.3	22.7	17.1	11.4	26.2	3.6	26.2	26.2	26.2	20.5	14.9	9.3		

1. These capacities are Net capacities.
2. These ratings include the compressor, condenser fan and supply air blower motors.

UB042 (3.5 Ton)

Air on Evaporator Coil		Temperature of Air on Condenser Coil																	
CFM	WB (°F)	Total Capacity ¹ (MBh)	Total Input (kW) ²	Sensible Capacity (MBh)						Total Capacity ¹ (MBh)	Total Input (kW) ²	Sensible Capacity (MBh)							
				Return Dry Bulb (°F)								Return Dry Bulb (°F)							
				90	85	80	75	70	65			90	85	80	75	70	65		
				75°F								85°F							
875	77	38.7	2.8	18.0	13.5	9.9	-	-	-	40.9	3.1	18.4	14.8	11.3	-	-	-		
	72	38.5	2.7	23.8	20.2	16.6	13.1	-	-	38.6	3.1	24.1	20.5	17.0	13.4	-	-		
	67	38.3	2.7	29.5	26.9	23.3	19.8	16.2	-	36.3	3.1	29.8	26.2	22.7	19.2	15.6	-		
	62	32.4	2.7	32.4	32.2	25.7	22.2	18.6	15.0	31.7	3.0	31.7	31.6	25.8	22.2	18.7	15.1		
1050	77	44.0	2.8	20.9	16.5	12.2	-	-	-	45.3	3.1	22.1	17.7	13.4	-	-	-		
	72	43.7	2.7	29.0	24.6	20.3	16.0	-	-	42.7	3.1	28.8	24.5	20.2	15.9	-	-		
	67	43.4	2.7	37.1	32.8	28.4	24.1	19.7	-	40.2	3.1	35.6	31.3	27.0	22.7	18.4	-		
	62	36.7	2.7	36.7	36.6	31.4	27.0	22.7	18.3	35.0	3.0	35.0	35.0	30.6	26.3	22.0	17.7		
57	33.3	2.6	33.3	33.3	30.4	26.0	21.7	17.3	33.6	3.0	33.6	33.6	30.4	26.0	21.7	17.4	-		
1225	77	49.4	2.7	23.7	19.6	14.4	-	-	-	49.6	3.1	25.7	20.6	15.6	-	-	-		
	72	48.9	2.7	34.2	29.1	24.0	18.9	-	-	46.8	3.1	33.6	28.5	23.4	18.3	-	-		
	67	48.5	2.7	44.7	38.6	33.5	28.4	23.3	-	44.0	3.0	41.4	36.4	31.3	26.2	21.1	-		
	62	41.1	2.6	41.1	41.0	37.0	31.9	26.8	21.7	38.4	3.0	38.4	38.4	35.5	30.4	25.4	20.3		
57	37.3	2.6	37.3	37.3	35.9	30.7	25.6	20.5	36.8	3.0	36.8	36.8	35.2	30.1	25.0	19.9	-		
1400	77	54.7	2.7	26.5	22.6	16.7	-	-	-	54.0	3.1	29.4	23.5	17.7	-	-	-		
	72	54.1	2.7	39.4	33.5	27.6	21.8	-	-	50.9	3.0	38.3	32.5	26.6	20.8	-	-		
	67	53.5	2.6	52.3	44.5	38.6	32.7	26.8	-	47.9	3.0	47.3	41.4	35.6	29.7	23.9	-		
	62	45.4	2.6	45.4	44.4	42.7	36.8	30.9	25.0	41.8	3.0	41.8	41.8	40.4	34.5	28.7	22.8		
57	41.3	2.6	41.3	41.3	41.3	35.5	29.6	23.7	40.0	3.0	40.0	40.0	40.0	34.2	28.3	22.4	-		
1575	72	52.2	2.7	40.6	34.2	27.8	21.4	-	-	50.0	3.0	40.0	33.6	27.2	20.9	-	-		
	67	51.7	2.7	51.1	45.2	38.8	32.4	26.0	-	47.1	3.0	46.8	42.7	36.4	30.0	23.6	-		
	62	43.8	2.6	43.8	43.8	42.4	36.0	29.6	23.2	41.1	3.0	41.1	41.1	40.4	34.0	27.6	21.3		
	57	39.8	2.6	39.8	39.8	39.8	33.4	27.0	20.6	39.3	3.0	39.3	39.3	39.3	33.0	26.6	20.2		
1750	72	50.2	2.7	41.7	34.8	27.9	21.0	-	-	49.2	3.0	41.6	34.7	27.8	21.0	-	-		
	67	49.9	2.7	49.9	45.9	39.0	32.1	25.2	-	46.2	3.0	46.2	44.1	37.2	30.3	23.4	-		
	62	42.2	2.6	42.2	42.2	42.2	35.3	28.4	21.5	40.3	3.0	40.3	40.3	40.3	33.5	26.6	19.7		
	57	38.2	2.6	38.2	38.2	38.2	31.3	24.4	17.5	38.6	3.0	38.6	38.6	38.6	31.8	24.9	18.0		
				95°F								105°F							
875	77	43.2	3.5	18.7	16.2	12.7	-	-	-	39.0	3.9	17.5	15.3	11.9	-	-	-		
	72	38.7	3.5	24.4	20.9	17.4	13.8	-	-	34.9	3.9	23.1	19.7	16.2	12.8	-	-		
	67	34.3	3.4	30.1	25.6	22.1	18.5	15.0	-	30.8	3.9	28.7	24.0	20.6	17.1	13.7	-		
	62	31.0	3.4	31.0	31.0	25.8	22.3	18.8	15.2	28.3	3.8	28.3	28.3	23.8	20.4	16.9	13.5		
1050	77	46.5	3.5	23.2	19.0	14.7	-	-	-	42.3	3.9	22.4	18.0	13.8	-	-	-		
	72	41.7	3.4	28.7	24.4	20.1	15.8	-	-	37.8	3.9	27.2	23.0	18.8	14.6	-	-		
	67	36.9	3.4	34.1	29.8	25.6	21.3	17.0	-	33.4	3.9	32.0	28.1	23.9	19.7	15.5	-		
	62	33.4	3.4	33.4	33.4	29.9	25.6	21.4	17.1	30.6	3.8	30.6	30.6	27.7	23.5	19.3	15.1		
57	33.8	3.4	33.8	33.8	30.3	26.1	21.8	17.5	31.0	3.8	31.0	31.0	27.8	23.7	19.5	15.3			
1225	77	49.8	3.4	27.7	21.7	16.7	-	-	-	45.5	3.9	27.4	20.6	15.7	-	-	-		
	72	44.7	3.4	33.0	27.9	22.9	17.8	-	-	40.7	3.9	31.3	26.4	21.4	16.5	-	-		
	67	39.6	3.4	38.2	34.1	29.1	24.0	18.9	-	36.0	3.8	35.3	32.2	27.2	22.3	17.3	-		
	62	35.7	3.4	35.7	35.7	34.0	29.0	23.9	18.9	33.0	3.8	33.0	33.0	31.5	26.6	21.6	16.7		
57	36.3	3.4	36.3	36.3	34.5	29.4	24.4	19.3	33.4	3.8	33.4	33.4	31.7	26.8	21.8	16.9			
1400	77	53.2	3.4	32.3	24.5	18.7	-	-	-	48.8	3.9	32.3	23.3	17.6	-	-	-		
	72	47.7	3.4	37.2	31.4	25.6	19.8	-	-	43.7	3.9	35.4	29.7	24.1	18.4	-	-		
	67	42.2	3.4	42.2	38.4	32.5	26.7	20.9	-	38.6	3.8	38.6	36.2	30.5	24.8	19.2	-		
	62	38.1	3.3	38.1	38.1	38.1	32.3	26.5	20.7	35.3	3.8	35.3	35.3	35.3	29.6	24.0	18.3		
57	38.7	3.3	38.7	38.7	38.6	32.8	27.0	21.2	35.7	3.8	35.7	35.7	35.6	29.9	24.2	18.5			
1575	72	47.9	3.4	39.4	33.0	26.7	20.4	-	-	43.5	3.9	37.5	31.3	25.1	18.9	-	-		
	67	42.4	3.4	42.4	40.3	33.9	27.6	21.3	-	38.4	3.8	38.4	37.1	31.8	25.7	19.5	-		
	62	38.3	3.3	38.3	38.3	38.3	32.0	25.6	19.3	35.2	3.8	35.2	35.2	35.2	29.0	22.8	16.6		
	57	38.9	3.3	38.9	38.9	38.9	32.5	26.2	19.9	35.6	3.8	35.6	35.6	35.5	29.3	23.1	16.9		
1750	72	48.2	3.4	41.5	34.6	27.8	21.0	-	-	43.3	3.9	39.5	32.8	26.1	19.4	-	-		
	67	42.6	3.4	42.6	42.2	35.3	28.5	21.6	-	38.2	3.8	38.2	38.0	33.2	26.5	19.8	-		
	62	38.5	3.3	38.5	38.5	38.5	31.6	24.8	18.0	35.0	3.8	35.0	35.0	35.0	28.3	21.6	14.9		
	57	39.1	3.4	39.1	39.1	39.1	32.2	25.4	18.5	35.4	3.8	35.4	35.4	35.4	28.7	22.0	15.3		

UB042 (3.5 Ton) (Continued)

Air on Evaporator Coil		Temperature of Air on Condenser Coil																	
CFM	WB (°F)	Total Capacity ¹ (MBh)	Total Input (kW) ²	Sensible Capacity (MBh)						Total Capacity ¹ (MBh)	Total Input (kW) ²	Sensible Capacity (MBh)							
				Return Dry Bulb (°F)								Return Dry Bulb (°F)							
				90	85	80	75	70	65			90	85	80	75	70	65		
		115°F						125°F											
875	77	34.8	4.3	16.2	14.4	11.1	-	-	-	30.7	4.8	17.1	13.2	10.3	-	-	-		
	72	31.1	4.3	21.8	18.5	15.1	11.7	-	-	27.3	4.7	20.5	17.2	14.0	10.7	-	-		
	67	27.4	4.3	27.4	22.5	19.1	15.7	12.4	-	24.0	4.7	24.0	20.9	17.6	14.4	11.1	-		
	62	25.5	4.3	25.5	25.5	21.8	18.4	15.1	11.7	22.8	4.7	22.8	22.8	19.8	16.5	13.2	9.9		
1050	77	38.0	4.3	21.6	17.0	12.9	-	-	-	33.8	4.8	22.2	16.0	12.0	-	-	-		
	72	34.0	4.3	25.8	21.7	17.6	13.5	-	-	30.1	4.7	24.3	20.3	16.3	12.3	-	-		
	67	29.9	4.3	29.9	26.3	22.2	18.1	14.0	-	26.4	4.7	26.4	24.6	20.6	16.6	12.6	-		
	62	27.9	4.3	27.9	27.9	25.4	21.3	17.2	13.1	25.1	4.7	25.1	25.1	23.1	19.1	15.1	11.1		
	57	28.1	4.3	28.1	28.1	25.3	21.3	17.2	13.1	25.2	4.7	25.2	25.2	22.8	18.8	14.8	10.8		
1225	77	41.2	4.3	27.0	19.5	14.7	-	-	-	36.9	4.8	27.3	18.8	13.7	-	-	-		
	72	36.8	4.3	29.7	24.9	20.0	15.2	-	-	32.8	4.8	28.1	23.3	18.6	13.9	-	-		
	67	32.4	4.3	32.4	30.2	25.4	20.5	15.7	-	28.8	4.7	28.8	28.3	23.5	18.8	14.1	-		
	62	30.2	4.3	30.2	30.2	29.0	24.1	19.3	14.5	27.4	4.7	27.4	27.4	26.4	21.7	17.0	12.3		
	57	30.4	4.3	30.4	30.4	28.9	24.1	19.3	14.4	27.5	4.7	27.5	27.5	26.1	21.4	16.7	12.0		
1400	77	44.4	4.3	32.4	22.1	16.5	-	-	-	40.0	4.8	32.4	21.6	15.4	-	-	-		
	72	39.6	4.3	33.6	28.1	22.5	16.9	-	-	35.6	4.8	31.8	26.4	21.0	15.5	-	-		
	67	34.9	4.3	34.9	34.1	28.5	22.9	17.4	-	31.2	4.7	31.2	31.2	26.5	21.1	15.6	-		
	62	32.5	4.3	32.5	32.5	32.5	27.0	21.4	15.8	29.7	4.7	29.7	29.7	29.7	24.3	18.9	13.4		
	57	32.8	4.3	32.8	32.8	32.5	26.9	21.4	15.8	29.8	4.7	29.8	29.8	29.4	24.0	18.5	13.1		
1575	72	39.0	4.3	35.6	29.6	23.5	17.4	-	-	34.6	4.8	33.7	27.8	21.9	16.0	-	-		
	67	34.4	4.3	34.4	34.0	29.8	23.7	17.6	-	30.3	4.7	30.3	30.3	27.7	21.7	15.8	-		
	62	32.0	4.3	32.0	32.0	32.0	26.0	19.9	13.9	28.9	4.7	28.9	28.9	28.9	23.0	17.1	11.1		
	57	32.3	4.3	32.3	32.3	32.1	26.1	20.0	14.0	29.0	4.7	29.0	29.0	28.8	22.9	16.9	11.0		
1750	72	38.4	4.3	37.6	31.0	24.5	17.9	-	-	33.6	4.7	33.6	29.2	22.8	16.4	-	-		
	67	33.8	4.3	33.8	33.8	31.0	24.4	17.9	-	29.5	4.7	29.5	29.5	28.8	22.4	16.0	-		
	62	31.6	4.3	31.6	31.6	31.6	25.0	18.4	11.9	28.1	4.7	28.1	28.1	28.1	21.7	15.3	8.9		
	57	31.8	4.3	31.8	31.8	31.8	25.2	18.7	12.1	28.2	4.7	28.2	28.2	28.2	21.8	15.3	8.9		

1. These capacities are Net capacities.
2. These ratings include the compressor, condenser fan and supply air blower motors.

UB048 (4.0 Ton)

Air on Evaporator Coil		Temperature of Air on Condenser Coil																	
CFM	WB (°F)	Total Capacity ¹ (MBh)	Total Input (kW) ²	Sensible Capacity (MBh)						Total Capacity ¹ (MBh)	Total Input (kW) ²	Sensible Capacity (MBh)							
				Return Dry Bulb (°F)								Return Dry Bulb (°F)							
				90	85	80	75	70	65			90	85	80	75	70	65		
				75°F								85°F							
1000	77	61.0	2.9	28.1	23.2	18.8	-	-	-	56.5	3.3	26.2	21.8	17.4	-	-	-		
	72	55.9	2.8	34.7	30.3	25.8	21.4	-	-	51.8	3.2	33.0	28.6	24.2	19.7	-	-		
	67	50.8	2.8	41.3	37.3	32.9	28.4	24.0	-	47.1	3.2	39.9	35.4	31.0	26.6	22.1	-		
	62	46.3	2.7	46.3	46.3	39.7	35.2	30.8	26.3	42.8	3.2	42.8	42.8	37.4	33.0	28.6	24.1		
1200	77	62.7	2.9	30.2	25.1	19.9	-	-	-	58.2	3.3	28.7	23.6	18.5	-	-	-		
	72	57.5	2.8	37.7	32.5	27.4	22.3	-	-	53.3	3.2	36.0	30.9	25.8	20.7	-	-		
	67	52.3	2.8	45.1	40.0	34.9	29.7	24.6	-	48.5	3.2	43.2	38.1	33.0	27.9	22.8	-		
	62	47.7	2.7	47.7	47.7	42.1	36.9	31.8	26.6	44.0	3.2	44.0	44.0	39.9	34.8	29.7	24.6		
1400	77	64.5	2.9	32.4	26.9	21.1	-	-	-	59.8	3.3	31.2	25.4	19.6	-	-	-		
	72	59.1	2.8	40.7	34.8	29.0	23.1	-	-	54.8	3.2	38.9	33.1	27.4	21.6	-	-		
	67	53.7	2.8	48.9	42.7	36.9	31.0	25.2	-	49.8	3.2	46.6	40.9	35.1	29.3	23.6	-		
	62	49.0	2.7	49.0	49.0	44.5	38.6	32.8	26.9	45.3	3.1	45.3	45.3	42.4	36.6	30.8	25.1		
1600	77	66.2	2.9	34.5	28.8	22.2	-	-	-	61.5	3.3	33.7	27.2	20.8	-	-	-		
	72	60.7	2.8	43.6	37.1	30.5	24.0	-	-	56.4	3.2	41.8	35.4	29.0	22.5	-	-		
	67	55.2	2.8	52.7	45.4	38.8	32.3	25.7	-	51.2	3.2	50.0	43.6	37.2	30.7	24.3	-		
	62	50.3	2.7	50.3	50.3	46.9	40.3	33.8	27.2	46.6	3.1	46.6	46.6	44.9	38.4	32.0	25.6		
1800	72	60.7	2.8	45.7	38.7	31.7	24.6	-	-	56.3	3.2	44.0	37.1	30.1	23.2	-	-		
	67	55.2	2.8	54.0	47.3	40.3	33.3	26.2	-	51.2	3.2	50.6	45.6	38.6	31.7	24.8	-		
	62	50.3	2.7	50.3	50.3	48.6	41.6	34.5	27.5	46.5	3.2	46.5	46.5	45.7	38.7	31.8	24.9		
	57	47.3	2.7	47.3	47.3	47.3	40.4	33.4	26.4	45.4	3.2	45.4	45.4	45.4	38.5	31.5	24.6		
2000	72	60.7	2.9	47.8	40.3	32.8	25.3	-	-	56.3	3.3	46.2	38.8	31.3	23.8	-	-		
	67	55.2	2.8	55.2	49.2	41.7	34.2	26.7	-	51.2	3.2	51.2	47.6	40.1	32.7	25.2	-		
	62	50.3	2.8	50.3	50.3	50.3	42.8	35.3	27.8	46.5	3.2	46.5	46.5	46.5	39.1	31.6	24.1		
	57	47.3	2.8	47.3	47.3	47.3	39.8	32.3	24.8	45.4	3.2	45.4	45.4	45.4	37.9	30.5	23.0		
				95°F								105°F							
1000	77	52.0	3.7	24.4	20.3	15.9	-	-	-	48.4	4.2	21.8	18.8	14.5	-	-	-		
	72	47.6	3.7	31.4	26.9	22.5	18.1	-	-	44.4	4.2	29.8	25.4	21.1	16.7	-	-		
	67	43.3	3.6	38.4	33.5	29.1	24.7	20.3	-	40.3	4.1	37.8	32.0	27.7	23.3	19.0	-		
	62	39.2	3.6	39.2	39.2	35.2	30.7	26.3	21.9	36.5	4.1	36.5	36.5	32.1	27.7	23.4	19.0		
1200	77	53.6	3.7	27.2	22.1	17.1	-	-	-	49.5	4.2	25.6	20.5	15.5	-	-	-		
	72	49.1	3.7	34.3	29.2	24.1	19.1	-	-	45.3	4.2	32.6	27.6	22.6	17.6	-	-		
	67	44.6	3.6	41.3	36.3	31.2	26.2	21.1	-	41.2	4.1	39.5	34.6	29.6	24.7	19.7	-		
	62	40.4	3.6	40.4	40.4	37.7	32.7	27.6	22.6	37.3	4.1	37.3	37.3	34.3	29.3	24.3	19.4		
1400	77	55.2	3.7	30.0	23.9	18.2	-	-	-	50.6	4.2	29.4	22.2	16.5	-	-	-		
	72	50.6	3.6	37.1	31.5	25.8	20.1	-	-	46.3	4.2	35.3	29.7	24.1	18.4	-	-		
	67	45.9	3.6	44.3	39.0	33.3	27.7	22.0	-	42.1	4.1	41.2	37.2	31.6	26.0	20.3	-		
	62	41.6	3.6	41.6	41.6	40.3	34.6	28.9	23.2	38.1	4.1	38.1	38.1	36.6	31.0	25.3	19.7		
1600	77	56.8	3.7	32.8	25.7	19.4	-	-	-	51.6	4.2	33.2	23.8	17.6	-	-	-		
	72	52.0	3.6	40.0	33.7	27.4	21.1	-	-	47.3	4.2	38.1	31.8	25.6	19.3	-	-		
	67	47.3	3.6	47.3	41.8	35.5	29.2	22.8	-	43.0	4.1	43.0	39.8	33.5	27.3	21.0	-		
	62	42.8	3.6	42.8	42.8	42.8	36.5	30.2	23.9	38.9	4.1	38.9	38.9	38.9	32.6	26.3	20.1		
1800	72	52.0	3.6	42.3	35.5	28.6	21.7	-	-	47.1	4.2	40.3	33.5	26.7	19.9	-	-		
	67	47.2	3.6	47.2	43.9	37.0	30.1	23.3	-	42.7	4.1	42.7	40.9	35.0	28.2	21.4	-		
	62	42.8	3.6	42.8	42.8	42.8	35.9	29.1	22.2	38.7	4.1	38.7	38.7	38.7	31.9	25.0	18.2		
	57	43.6	3.6	43.6	43.6	43.4	36.5	29.7	22.8	39.6	4.1	39.6	39.6	39.5	32.7	25.9	19.1		
2000	72	51.9	3.6	44.6	37.2	29.8	22.4	-	-	46.8	4.2	42.6	35.2	27.8	20.4	-	-		
	67	47.2	3.6	47.2	46.0	38.5	31.1	23.7	-	42.5	4.1	42.5	41.9	36.5	29.1	21.8	-		
	62	42.7	3.6	42.7	42.7	42.7	35.3	27.9	20.5	38.5	4.1	38.5	38.5	38.5	31.1	23.7	16.4		
	57	43.5	3.6	43.5	43.5	43.5	36.1	28.7	21.3	39.5	4.1	39.5	39.5	39.5	32.1	24.7	17.3		

UB048 (4.0 Ton) (Continued)

Air on Evaporator Coil		Temperature of Air on Condenser Coil															
CFM	WB (°F)	Total Capacity ¹ (MBh)	Total Input (kW) ²	Sensible Capacity (MBh)						Total Capacity ¹ (MBh)	Total Input (kW) ²	Sensible Capacity (MBh)					
				Return Dry Bulb (°F)								Return Dry Bulb (°F)					
				90	85	80	75	70	65			90	85	80	75	70	65
				115°F						125°F							
1000	77	44.9	4.7	19.2	17.4	13.1	-	-	-	41.4	5.2	19.0	15.1	11.7	-	-	-
	72	41.1	4.6	28.2	24.0	19.7	15.4	-	-	37.8	5.1	26.7	22.5	18.3	14.0	-	-
	67	37.3	4.6	37.3	30.5	26.3	22.0	17.7	-	34.3	5.1	34.3	29.0	24.8	20.6	16.4	-
	62	33.7	4.6	33.7	33.7	29.0	24.7	20.4	16.1	30.9	5.0	30.9	30.9	25.8	21.6	17.4	13.2
1200	77	45.4	4.7	24.0	18.9	14.0	-	-	-	41.3	5.2	24.0	17.3	12.4	-	-	-
	72	41.6	4.7	30.9	25.9	21.0	16.1	-	-	37.8	5.2	29.2	24.3	19.4	14.6	-	-
	67	37.8	4.6	37.8	33.0	28.1	23.1	18.2	-	34.3	5.1	34.3	31.3	26.5	21.6	16.7	-
	62	34.1	4.6	34.1	34.1	30.9	26.0	21.1	16.2	30.9	5.1	30.9	30.9	27.5	22.7	17.8	12.9
1400	77	45.9	4.7	28.8	20.4	14.9	-	-	-	41.3	5.2	29.0	19.5	13.2	-	-	-
	72	42.1	4.7	33.5	27.9	22.4	16.8	-	-	37.8	5.2	31.7	26.2	20.6	15.1	-	-
	67	38.2	4.6	38.2	35.4	29.8	24.3	18.7	-	34.3	5.1	34.3	33.6	28.1	22.6	17.1	-
	62	34.5	4.6	34.5	34.5	32.9	27.3	21.8	16.2	30.9	5.1	30.9	30.9	29.2	23.7	18.2	12.7
1600	77	46.5	4.7	33.6	22.0	15.8	-	-	-	41.3	5.2	34.0	21.7	14.0	-	-	-
	72	42.5	4.7	36.1	29.9	23.7	17.5	-	-	37.8	5.2	34.2	28.0	21.8	15.7	-	-
	67	38.6	4.6	38.6	37.8	31.6	25.4	19.2	-	34.3	5.2	34.3	34.3	29.7	23.6	17.4	-
	62	34.9	4.6	34.9	34.9	34.9	28.7	22.5	16.2	30.9	5.1	30.9	30.9	30.9	24.7	18.6	12.4
1800	77	46.5	4.7	36.0	36.0	36.0	29.8	23.6	17.4	32.2	5.1	32.2	32.2	32.2	26.3	20.1	14.0
	72	42.2	4.7	38.3	31.5	24.8	18.0	-	-	37.2	5.2	36.3	29.5	22.8	16.1	-	-
	67	38.3	4.6	38.3	37.9	33.0	26.3	19.5	-	33.8	5.2	33.8	33.8	31.1	24.4	17.6	-
	62	34.6	4.6	34.6	34.6	34.6	27.8	21.0	14.3	30.4	5.1	30.4	30.4	30.4	23.7	17.0	10.3
2000	77	41.8	4.7	35.7	35.7	35.7	28.9	22.2	15.4	31.8	5.1	31.8	31.8	31.8	25.2	18.4	11.7
	72	37.9	4.7	40.5	33.1	25.8	18.5	-	-	36.7	5.2	36.7	31.1	23.8	16.6	-	-
	67	37.9	4.7	37.9	37.9	34.5	27.1	19.8	-	33.3	5.2	33.3	33.3	32.4	25.2	17.9	-
	62	34.2	4.6	34.2	34.2	34.2	26.9	19.6	12.3	30.0	5.1	30.0	30.0	30.0	22.7	15.4	8.2
2000	57	35.4	4.6	35.4	35.4	35.4	28.1	20.7	13.4	31.3	5.1	31.3	31.3	31.3	24.0	16.8	9.5

1. These capacities are Net capacities.
2. These ratings include the compressor, condenser fan and supply air blower motors.

UB060 (5.0 Ton)

Air on Evaporator Coil		Temperature of Air on Condenser Coil															
CFM	WB (°F)	Total Capacity ¹ (MBh)	Total Input (kW) ²	Sensible Capacity (MBh)						Total Capacity ¹ (MBh)	Total Input (kW) ²	Sensible Capacity (MBh)					
				Return Dry Bulb (°F)								Return Dry Bulb (°F)					
				90	85	80	75	70	65			90	85	80	75	70	65
				75°F						85°F							
1350	77	74.4	3.9	28.7	23.0	17.3	-	-	-	65.9	4.4	28.8	23.6	18.4	-	-	-
	72	65.5	3.9	37.1	31.4	25.7	20.0	-	-	59.5	4.4	36.5	31.3	26.1	20.9	-	-
	67	56.6	3.8	45.5	39.8	34.1	28.4	22.8	-	53.0	4.3	44.2	39.0	33.8	28.6	23.4	-
	62	54.2	3.8	54.2	52.9	39.8	34.1	28.4	22.8	49.3	4.3	49.3	48.6	40.9	35.7	30.5	25.3
1500	77	75.1	4.0	30.6	24.9	19.2	-	-	-	67.0	4.5	31.2	25.5	19.8	-	-	-
	72	66.1	4.0	39.9	34.1	28.4	22.7	-	-	60.5	4.4	39.5	33.8	28.0	22.3	-	-
	67	57.1	3.9	49.1	43.4	37.6	31.9	26.2	-	54.0	4.4	47.8	42.1	36.3	30.6	24.9	-
	62	54.6	3.9	54.6	53.8	44.0	38.3	32.5	26.8	50.2	4.4	50.2	49.7	44.0	38.3	32.6	26.8
1650	77	75.8	4.1	32.6	26.8	21.0	-	-	-	68.2	4.6	33.7	27.4	21.2	-	-	-
	72	66.6	4.1	42.7	36.9	31.1	25.3	-	-	61.6	4.5	42.5	36.3	30.0	23.8	-	-
	67	57.5	4.0	52.7	46.9	41.2	35.4	29.6	-	54.9	4.5	51.4	45.1	38.9	32.6	26.4	-
	62	55.1	4.0	55.1	54.6	48.2	42.4	36.6	30.8	51.1	4.5	51.1	50.8	47.1	40.9	34.6	28.4
1800	77	76.4	4.2	34.6	28.7	22.9	-	-	-	69.4	4.7	36.1	29.3	22.6	-	-	-
	72	67.2	4.2	45.5	39.6	33.8	27.9	-	-	62.6	4.6	45.6	38.8	32.0	25.2	-	-
	67	57.9	4.1	56.4	50.5	44.7	38.8	33.0	-	55.9	4.6	55.0	48.2	41.5	34.7	27.9	-
	62	55.5	4.1	55.5	55.5	52.4	46.5	40.6	34.8	51.9	4.5	51.9	51.9	50.2	43.4	36.7	29.9
2150	77	77.0	4.3	32.6	26.8	21.0	-	-	-	68.2	4.6	33.7	27.4	21.2	-	-	-
	72	69.0	4.5	51.3	42.4	33.6	24.8	-	-	63.7	4.9	50.5	41.9	33.4	24.8	-	-
	67	59.6	4.5	58.8	53.5	44.6	35.8	26.9	-	56.8	4.9	56.4	51.8	43.2	34.7	26.1	-
	62	57.1	4.4	57.1	57.1	55.5	46.7	37.9	29.0	52.8	4.8	52.8	52.8	51.9	43.4	34.8	26.3
2500	77	70.9	4.8	57.1	45.3	33.5	21.7	-	-	64.7	5.2	55.4	45.1	34.8	24.4	-	-
	67	61.2	4.8	61.2	56.5	44.5	32.7	20.9	-	57.7	5.2	57.7	55.3	45.0	34.7	24.4	-
	62	58.6	4.7	58.6	58.6	58.6	46.8	35.1	23.3	53.7	5.1	53.7	53.7	53.7	43.3	33.0	22.7
	57	53.6	4.7	53.6	53.6	53.6	41.9	30.1	18.3	51.0	5.1	51.0	51.0	51.0	40.7	30.4	20.1
				95°F						105°F							
1350	77	57.3	4.9	28.9	24.1	19.4	-	-	-	52.3	5.4	27.7	22.7	17.6	-	-	-
	72	53.4	4.8	35.8	31.1	26.4	21.7	-	-	48.9	5.3	35.0	29.9	24.7	19.6	-	-
	67	49.4	4.8	42.8	38.1	33.4	28.7	24.0	-	45.6	5.3	42.2	37.0	31.9	26.8	21.7	-
	62	44.4	4.7	44.4	44.4	42.0	37.3	32.6	27.9	40.9	5.3	40.9	40.9	38.6	33.5	28.4	23.3
1500	77	59.0	5.0	31.8	26.1	20.4	-	-	-	53.9	5.5	30.1	24.2	18.5	-	-	-
	72	54.9	4.9	39.1	33.4	27.7	22.0	-	-	50.4	5.4	37.4	31.7	26.0	20.3	-	-
	67	50.9	4.9	46.4	40.7	35.0	29.3	23.6	-	46.9	5.4	44.7	39.2	33.5	27.8	22.1	-
	62	45.7	4.8	45.7	45.7	44.0	38.3	32.6	26.9	42.1	5.4	42.1	42.1	40.6	34.9	29.1	23.4
1650	77	60.7	5.1	34.7	28.0	21.3	-	-	-	55.5	5.6	32.6	25.7	19.3	-	-	-
	72	56.5	5.0	42.4	35.7	29.0	22.3	-	-	51.9	5.5	39.8	33.5	27.2	20.9	-	-
	67	52.3	4.9	50.1	43.3	36.6	29.9	23.2	-	48.3	5.5	47.1	41.4	35.1	28.8	22.4	-
	62	47.0	4.9	47.0	47.0	46.1	39.4	32.6	25.9	43.3	5.5	43.3	43.3	42.5	36.2	29.9	23.5
1800	77	62.4	5.2	37.7	30.0	22.3	-	-	-	57.0	5.7	35.0	27.1	20.2	-	-	-
	72	58.1	5.1	45.7	38.0	30.3	22.5	-	-	53.3	5.6	42.3	35.4	28.4	21.5	-	-
	67	53.8	5.0	53.7	46.0	38.3	30.5	22.8	-	49.7	5.6	49.6	43.6	36.7	29.7	22.8	-
	62	48.3	5.0	48.3	48.3	48.1	40.4	32.7	25.0	44.5	5.6	44.5	44.5	44.4	37.5	30.6	23.7
2150	77	48.1	5.0	48.1	48.1	48.1	40.4	32.6	24.9	44.3	5.5	44.3	44.3	44.3	37.4	30.5	23.6
	72	58.3	5.4	49.7	41.4	33.1	24.8	-	-	53.6	5.9	46.9	39.2	31.3	23.4	-	-
	67	54.0	5.3	53.9	50.1	41.9	33.6	25.3	-	49.9	5.9	49.9	46.9	40.3	32.5	24.6	-
	62	48.5	5.3	48.5	48.5	48.4	40.1	31.8	23.5	44.8	5.8	44.8	44.8	44.7	36.8	29.0	21.1
2500	77	48.3	5.3	48.3	48.3	48.3	40.0	31.7	23.4	44.6	5.8	44.6	44.6	44.6	36.7	28.8	20.9
	72	58.5	5.7	53.7	44.9	36.0	27.2	-	-	53.9	6.1	51.5	43.0	34.1	25.3	-	-
	67	54.2	5.6	54.2	54.2	45.5	36.7	27.8	-	50.2	6.1	50.2	50.2	44.0	35.2	26.3	-
	62	48.7	5.6	48.7	48.7	48.7	39.8	31.0	22.1	45.0	6.0	45.0	45.0	45.0	36.2	27.4	18.5
57	48.4	5.6	48.4	48.4	48.4	39.6	30.7	21.8	44.8	6.0	44.8	44.8	44.8	36.0	27.1	18.3	

UB060 (5.0 Ton) (Continued)

Air on Evaporator Coil		Temperature of Air on Condenser Coil																	
CFM	WB (°F)	Total Capacity ¹ (MBh)	Total Input (kW) ²	Sensible Capacity (MBh)						Total Capacity ¹ (MBh)	Total Input (kW) ²	Sensible Capacity (MBh)							
				Return Dry Bulb (°F)								Return Dry Bulb (°F)							
				90	85	80	75	70	65			90	85	80	75	70	65		
		115°F						125°F											
1350	77	47.3	5.8	26.5	21.3	15.7	-	-	-	42.4	6.3	28.6	19.8	13.9	-	-	-		
	72	44.5	5.8	34.1	28.6	23.1	17.6	-	-	40.1	6.3	33.2	27.3	21.4	15.5	-	-		
	67	41.7	5.8	41.7	35.9	30.4	24.9	19.4	-	37.8	6.4	37.8	34.8	28.9	23.0	17.1	-		
	62	37.3	5.8	37.3	37.3	35.3	29.8	24.3	18.8	33.7	6.3	33.7	33.7	31.9	26.0	20.1	14.2		
1500	77	48.8	5.9	28.4	22.3	16.6	-	-	-	43.7	6.4	29.0	20.4	14.6	-	-	-		
	72	45.9	5.9	35.7	30.0	24.3	18.5	-	-	41.3	6.5	34.0	28.3	22.5	16.8	-	-		
	67	42.9	5.9	42.9	37.7	32.0	26.2	20.5	-	39.0	6.5	39.0	36.1	30.4	24.7	19.0	-		
	62	38.4	5.9	38.4	38.4	37.1	31.4	25.7	19.9	34.8	6.4	34.8	34.8	33.6	27.9	22.2	16.5		
	57	38.3	5.9	38.3	38.3	37.0	31.3	25.5	19.8	34.7	6.4	34.7	34.7	33.5	27.7	22.0	16.3		
1650	77	50.2	6.1	30.4	23.3	17.4	-	-	-	45.0	6.5	29.3	20.9	15.4	-	-	-		
	72	47.2	6.1	37.3	31.4	25.4	19.5	-	-	42.6	6.6	34.7	29.2	23.7	18.1	-	-		
	67	44.2	6.1	44.2	39.4	33.5	27.6	21.7	-	40.2	6.6	40.2	37.5	32.0	26.4	20.9	-		
	62	39.6	6.0	39.6	39.6	38.9	33.0	27.1	21.1	35.9	6.5	35.9	35.9	35.3	29.8	24.3	18.7		
	57	39.4	6.0	39.4	39.4	38.8	32.9	26.9	21.0	35.8	6.5	35.8	35.8	35.2	29.6	24.1	18.5		
1800	77	51.7	6.2	32.3	24.3	18.2	-	-	-	46.4	6.7	29.7	21.5	16.1	-	-	-		
	72	48.6	6.2	38.9	32.8	26.6	20.5	-	-	43.9	6.7	35.5	30.2	24.8	19.5	-	-		
	67	45.5	6.2	45.5	41.2	35.1	28.9	22.8	-	41.4	6.7	41.4	38.8	33.5	28.2	22.8	-		
	62	40.7	6.1	40.7	40.7	40.7	34.6	28.5	22.3	36.9	6.6	36.9	36.9	36.9	31.7	26.4	21.0		
	57	40.6	6.1	40.6	40.6	40.6	34.5	28.3	22.2	36.8	6.6	36.8	36.8	36.8	31.5	26.2	20.8		
2150	72	49.0	6.4	44.1	36.9	29.4	22.0	-	-	44.3	6.9	41.3	34.6	27.6	20.5	-	-		
	67	45.8	6.4	45.8	43.7	38.8	31.3	23.8	-	41.8	6.9	41.8	40.5	37.2	30.2	23.1	-		
	62	41.0	6.3	41.0	41.0	41.0	33.6	26.1	18.6	37.3	6.8	37.3	37.3	37.3	30.3	23.2	16.2		
	57	40.9	6.3	40.9	40.9	40.9	33.4	26.0	18.5	37.2	6.8	37.2	37.2	37.2	30.2	23.1	16.0		
2500	72	49.3	6.6	49.3	41.1	32.3	23.4	-	-	44.7	7.1	44.7	39.1	30.4	21.6	-	-		
	67	46.2	6.6	46.2	46.2	42.5	33.7	24.9	-	42.2	7.1	42.2	42.2	41.0	32.2	23.4	-		
	62	41.3	6.5	41.3	41.3	41.3	32.5	23.7	14.9	37.7	7.0	37.7	37.7	37.7	28.9	20.1	11.3		
	57	41.2	6.5	41.2	41.2	41.2	32.4	23.6	14.8	37.6	7.0	37.6	37.6	37.6	28.8	20.0	11.3		

1. These capacities are Net capacities.
2. These ratings include the compressor, condenser fan and supply air blower motors.

Heating Capacities

UB024-060

Size (Tons)	Model	Air Over Evaporator Coil		Capacity & kW	Outdoor Temperature (°F @ 72% RH)							
		CFM	DB (°F)		-10	0	10	20	30	40	50	60
024 (2.0)	UB	600	55	MBH	7.03	8.39	10.00	11.91	14.17	16.86	20.04	23.81
				KW	1.27	1.33	1.39	1.45	1.51	1.57	1.63	1.69
			70	MBH	6.20	7.56	9.17	11.08	13.34	16.03	19.21	22.98
				KW	1.47	1.53	1.59	1.65	1.71	1.77	1.83	1.89
			80	MBH	4.90	6.26	7.87	9.78	12.04	14.73	17.91	21.68
				KW	1.67	1.73	1.79	1.85	1.91	1.97	2.03	2.09
		800	55	MBH	8.18	9.54	11.15	13.06	15.32	18.01	21.19	24.96
				KW	1.17	1.23	1.29	1.35	1.41	1.47	1.53	1.59
			70	MBH	7.35	8.71	10.32	12.23	14.49	17.18	20.36	24.13
				KW	1.37	1.43	1.49	1.55	1.61	1.67	1.73	1.79
			80	MBH	6.05	7.41	9.02	10.93	13.19	15.88	19.06	22.83
				KW	1.57	1.63	1.69	1.75	1.81	1.87	1.93	1.99
		1000	55	MBH	8.56	9.92	11.53	13.44	15.70	18.39	21.57	25.34
				KW	1.14	1.20	1.26	1.32	1.38	1.44	1.50	1.56
			70	MBH	7.73	9.09	10.70	12.61	14.87	17.56	20.74	24.51
				KW	1.34	1.40	1.46	1.52	1.58	1.64	1.70	1.76
			80	MBH	6.43	7.79	9.40	11.31	13.57	16.26	19.44	23.21
				KW	1.54	1.60	1.66	1.72	1.78	1.84	1.90	1.96
030 (2.5)	UB	750	55	MBH	8.50	10.31	12.54	15.26	18.59	22.67	27.67	33.79
				KW	1.54	1.60	1.66	1.72	1.78	1.84	1.90	1.96
			70	MBH	6.95	8.76	10.99	13.71	17.04	21.12	26.12	32.24
				KW	2.05	2.11	2.17	2.23	2.29	2.35	2.41	2.47
			80	MBH	6.25	8.06	10.29	13.01	16.34	20.42	25.42	31.54
				KW	2.21	2.27	2.33	2.39	2.45	2.51	2.57	2.63
		1000	55	MBH	9.65	11.46	13.69	16.41	19.74	23.82	28.82	34.94
				KW	1.44	1.50	1.56	1.62	1.68	1.74	1.80	1.86
			70	MBH	8.10	9.91	12.14	14.86	18.19	22.27	27.27	33.39
				KW	1.95	2.01	2.07	2.13	2.19	2.25	2.31	2.37
			80	MBH	7.40	9.21	11.44	14.16	17.49	21.57	26.57	32.69
				KW	2.11	2.17	2.23	2.29	2.35	2.41	2.47	2.53
		1250	55	MBH	10.25	12.06	14.29	17.01	20.34	24.42	29.42	35.54
				KW	1.48	1.54	1.60	1.66	1.72	1.78	1.84	1.90
			70	MBH	8.70	10.51	12.74	15.46	18.79	22.87	27.87	33.99
				KW	1.99	2.05	2.11	2.17	2.23	2.29	2.35	2.41
			80	MBH	8.00	9.81	12.04	14.76	18.09	22.17	27.17	33.29
				KW	2.15	2.21	2.27	2.33	2.39	2.45	2.51	2.57
036 (3.0)	UB	900	55	MBH	9.45	11.66	14.32	17.54	21.42	26.11	31.77	38.60
				KW	2.18	2.29	2.41	2.52	2.63	2.75	2.86	2.97
			70	MBH	8.15	10.36	13.02	16.24	20.12	24.81	30.47	37.30
				KW	2.49	2.60	2.72	2.83	2.94	3.06	3.17	3.28
			80	MBH	5.90	8.11	10.77	13.99	17.87	22.56	28.22	35.05
				KW	2.86	2.97	3.09	3.20	3.31	3.43	3.54	3.65
		1200	55	MBH	11.92	14.13	16.79	20.01	23.89	28.58	34.24	41.07
				KW	2.01	2.12	2.24	2.35	2.46	2.58	2.69	2.80
			70	MBH	10.62	12.83	15.49	18.71	22.59	27.28	32.94	39.77
				KW	2.32	2.43	2.55	2.66	2.77	2.89	3.00	3.11
			80	MBH	8.37	10.58	13.24	16.46	20.34	25.03	30.69	37.52
				KW	2.69	2.80	2.92	3.03	3.14	3.26	3.37	3.48
		1500	55	MBH	12.26	14.46	17.12	20.34	24.22	28.91	34.57	41.40
				KW	2.23	2.34	2.46	2.57	2.68	2.80	2.91	3.02
			70	MBH	10.96	13.16	15.82	19.04	22.92	27.61	33.27	40.10
				KW	2.54	2.65	2.77	2.88	2.99	3.11	3.22	3.33
			80	MBH	8.71	10.91	13.57	16.79	20.67	25.36	31.02	37.85
				KW	2.91	3.02	3.14	3.25	3.36	3.48	3.59	3.70

UB024-060 (Continued)

Size (Tons)	Model	Air Over Evaporator Coil		Capacity & kW	Outdoor Temperature (°F @ 72% RH)							
		CFM	DB (°F)		-10	0	10	20	30	40	50	60
042 (3.5)	UB	1050	55	MBH	11.46	14.09	17.27	21.11	25.76	31.39	38.19	46.42
				KW	2.72	2.84	2.96	3.08	3.20	3.32	3.44	3.56
			70	MBH	8.96	11.59	14.77	18.62	23.27	28.89	35.69	43.92
				KW	3.14	3.26	3.38	3.50	3.62	3.74	3.86	3.99
			80	MBH	7.02	9.65	12.83	16.67	21.32	26.95	33.75	41.98
				KW	3.49	3.61	3.73	3.85	3.97	4.09	4.21	4.33
		1400	55	MBH	15.04	17.67	20.85	24.69	29.34	34.97	41.77	50.00
				KW	2.36	2.48	2.60	2.72	2.84	2.97	3.09	3.21
			70	MBH	12.54	15.17	18.35	22.19	26.84	32.47	39.27	47.50
				KW	2.78	2.90	3.02	3.14	3.27	3.39	3.51	3.63
			80	MBH	10.60	13.23	16.41	20.25	24.90	30.53	37.33	45.56
				KW	3.13	3.25	3.37	3.49	3.61	3.73	3.85	3.98
		1750	55	MBH	18.52	21.15	24.32	28.17	32.82	38.44	45.25	53.48
				KW	2.46	2.59	2.71	2.83	2.95	3.07	3.19	3.31
			70	MBH	16.02	18.65	21.83	25.67	30.32	35.95	42.75	50.98
				KW	2.89	3.01	3.13	3.25	3.37	3.49	3.61	3.73
			80	MBH	14.08	16.70	19.88	23.73	28.38	34.00	40.81	49.04
				KW	3.23	3.35	3.47	3.59	3.72	3.84	3.96	4.08
048 (4.0)	UB	1200	55	MBH	13.79	16.66	20.07	24.12	28.93	34.65	41.45	49.53
				KW	2.70	2.80	2.90	3.00	3.10	3.21	3.31	3.41
			70	MBH	11.53	14.40	17.81	21.86	26.67	32.39	39.19	47.27
				KW	3.19	3.29	3.39	3.49	3.59	3.69	3.80	3.90
			80	MBH	9.51	12.37	15.78	19.83	24.65	30.37	37.17	45.25
				KW	3.64	3.74	3.84	3.94	4.04	4.14	4.24	4.34
		1600	55	MBH	17.47	20.34	23.75	27.80	32.61	38.33	45.13	53.21
				KW	2.64	2.74	2.84	2.94	3.05	3.15	3.25	3.35
			70	MBH	15.21	18.08	21.49	25.54	30.35	36.07	42.87	50.95
				KW	3.13	3.23	3.33	3.43	3.53	3.64	3.74	3.84
			80	MBH	13.19	16.06	19.46	23.51	28.33	34.05	40.85	48.93
				KW	3.58	3.68	3.78	3.88	3.98	4.08	4.18	4.28
		2000	55	MBH	20.32	23.19	26.60	30.65	35.46	41.18	47.98	56.06
				KW	2.75	2.85	2.95	3.05	3.15	3.25	3.36	3.46
			70	MBH	18.06	20.93	24.34	28.39	33.20	38.92	45.72	53.80
				KW	3.24	3.34	3.44	3.54	3.64	3.74	3.84	3.95
			80	MBH	16.04	18.91	22.31	26.36	31.18	36.90	43.70	51.78
				KW	3.69	3.79	3.89	3.99	4.09	4.19	4.29	4.39
060 (5.0)	UB	1500	55	MBH	21.38	24.86	28.91	33.63	39.13	45.54	53.02	61.72
				KW	3.34	3.47	3.60	3.73	3.86	3.99	4.12	4.25
			70	MBH	18.08	21.56	25.61	30.33	35.83	42.24	49.72	58.42
				KW	3.84	3.97	4.10	4.23	4.36	4.49	4.62	4.75
			80	MBH	16.76	20.24	24.29	29.01	34.51	40.92	48.40	57.10
				KW	4.27	4.40	4.53	4.66	4.79	4.92	5.05	5.18
		2000	55	MBH	24.32	27.80	31.85	36.57	42.07	48.48	55.96	64.66
				KW	3.34	3.47	3.60	3.73	3.86	3.99	4.12	4.25
			70	MBH	21.02	24.50	28.55	33.27	38.77	45.18	52.66	61.36
				KW	3.84	3.97	4.10	4.23	4.36	4.49	4.62	4.75
			80	MBH	19.70	23.18	27.23	31.95	37.45	43.86	51.34	60.04
				KW	4.27	4.40	4.53	4.66	4.79	4.92	5.05	5.18
		2500	55	MBH	27.72	31.20	35.25	39.97	45.47	51.88	59.36	68.06
				KW	3.49	3.62	3.75	3.88	4.01	4.14	4.27	4.40
			70	MBH	24.42	27.90	31.95	36.67	42.17	48.58	56.06	64.76
				KW	3.99	4.12	4.25	4.38	4.51	4.64	4.77	4.90
			80	MBH	23.10	26.58	30.63	35.35	40.85	47.26	54.74	63.44
				KW	4.42	4.55	4.68	4.81	4.94	5.07	5.20	5.33

Airflow Performance

Size (Tons)	Model	Unit Speed)	External Static Pressure (Inch Water Gauge)														
			0.2			0.4			0.6			0.8			1.0		
			SCFM	W	RPM	SCFM	W	RPM	SCFM	W	RPM	SCFM	W	RPM	SCFM	W	RPM
024 (2.0)	NL	Low	1048	398	862	1008	377	937	927	347	1005	813	310	1056	644	266	1100
		Medium	1273	491	980	1194	457	1028	1084	416	1064	944	374	1094	754	322	1119
		High	1410	572	1069	1302	532	1090	1160	487	1109	1002	444	1127	801	395	1142
	UB	Low	786	113	709	720	127	803	653	141	893	560	156	1004	467	170	1115
		Low/Medium	889	149	760	831	163	843	757	179	939	703	191	1005	649	203	1072
		Medium	1037	223	840	984	237	911	914	253	993	857	264	1057	799	276	1121
Medium/High		1185	297	920	1137	311	979	1071	326	1048	1010	338	1109	949	349	1170	
030 (2.5)	NL	Low	1048	398	862	1008	377	937	927	347	1005	813	310	1056	644	266	1100
		Medium	1273	491	980	1194	457	1028	1084	416	1064	944	374	1094	754	322	1119
		High	1410	572	1069	1302	532	1090	1160	487	1109	1002	444	1127	801	395	1142
	UB	Low	786	113	709	720	127	803	653	141	893	560	156	1004	467	170	1115
		Low/Medium	1003	196	822	950	210	891	886	225	966	820	240	1049	754	255	1132
		Medium	1115	262	883	1061	275	947	998	292	1021	916	293	1085	834	294	1150
Medium/High		1227	327	945	1172	341	1003	1109	358	1076	1011	345	1121	913	332	1167	
036 (3.0)	NL	Low	1048	398	862	1008	377	937	927	347	1005	813	310	1056	644	266	1100
		Medium	1273	491	980	1194	457	1028	1084	416	1064	944	374	1094	754	322	1119
		High	1410	572	1069	1302	532	1090	1160	487	1109	1002	444	1127	801	395	1142
	UB	Low	1017	219	835	954	236	910	878	251	980	821	269	1053	751	281	1125
		Low/Medium	1166	306	912	1101	323	977	1037	338	1042	977	351	1102	833	321	1139
		Medium	1211	346	942	1135	362	1004	1073	375	1065	987	368	1113	837	325	1143
Medium/High		1255	385	971	1169	400	1030	1109	412	1087	996	384	1123	841	328	1146	
042 (3.5)	NL	Low	1095	233	853	1037	255	936	979	269	1003	904	283	1079	829	297	1154
		Low/Medium	1161	276	897	1104	298	973	1043	312	1040	978	325	1105	913	337	1171
		Medium	1166	306	912	1101	323	977	1037	338	1042	977	351	1102	833	321	1139
		Medium/High	1255	385	971	1169	400	1030	1109	412	1087	996	384	1123	841	328	1146
	UB	Low	1152	224	759	934	263	892	796	282	965	643	318	1086	490	354	1207
		Low/Medium	1265	273	802	1110	312	916	902	339	1005	786	360	1076	670	381	1147
048 (4.0)	NL	Medium	1364	318	824	1222	358	933	1012	396	1043	905	417	1101	798	438	1159
		Medium/High	1849	647	990	1734	688	1072	1519	662	1136	1090	535	1161	-	-	-
		High	2227	978	1086	1976	889	1129	1677	757	1151	-	-	-	-	-	-
		Low	1264	206	684	1160	228	763	968	258	875	871	274	927	774	290	979
	Low/Medium	1307	227	706	1212	249	780	1060	277	878	924	300	947	788	323	1016	
	Medium	1340	250	726	1245	274	803	1100	311	900	996	329	967	892	347	1034	
060 (5.0)	NL	Medium/High	1854	554	898	1776	583	957	1695	617	1022	1612	643	1077	1529	669	1132
		High	2250	944	1039	2175	964	1081	2034	912	1114	1827	822	1136	1620	732	1158
		Low	1260	275	807	1096	313	915	910	336	992	804	355	1057	774	290	979
		Low/Medium	1471	375	870	1338	415	968	1118	455	1079	963	474	1110	788	323	1016
	UB	Medium	1546	394	865	1391	439	975	1187	479	1080	1062	501	1088	892	347	1034
		Medium/High	1597	434	893	1460	476	989	1277	518	995	1079	515	1050	1529	669	1132
060 (5.0)	NL	High	2227	978	1086	1976	889	1129	1677	757	1151	-	-	-	-	-	-
		Low	1368	331	849	1229	369	953	1015	397	1045	898	420	1106	781	443	1167
		Low/Medium	1546	394	865	1391	439	975	1187	479	1080	1062	501	1088	937	523	1096
		Medium	1612	480	923	1488	522	1018	1318	570	1127	1059	515	1157	-	-	-
	UB	Medium/High	1922	687	995	1804	732	928	1566	682	1140	1121	542	1160	-	-	-
		High	2227	978	1086	1976	889	1129	1677	757	1151	-	-	-	-	-	-
060 (5.0)	NL	Low	1368	331	849	1229	369	953	1015	397	1045	898	420	1106	781	443	1167
		Low/Medium	1612	480	923	1488	522	1018	1318	570	1127	1059	515	1157	-	-	-
		Medium	1849	647	990	1734	688	1072	1519	662	1136	1090	535	1161	-	-	-
		Medium/High	2033	820	1050	1856	808	1115	1546	684	1145	1065	535	1166	-	-	-
	UB	High	2227	978	1086	1976	889	1129	1677	757	1151	-	-	-	-	-	-
		Low	1368	331	849	1229	369	953	1015	397	1045	898	420	1106	781	443	1167

Additional Static Resistance

Size (Tons)	Model	CFM	Wet Indoor Coil	Electric Heat, kW			
				5	6.5	10	15
024 (2.0)	NL UB	400	0.05	0.05	0.05	0.06	0.07
		500	0.06	0.06	0.06	0.07	0.08
		600	0.07	0.07	0.07	0.08	0.09
		700	0.08	0.08	0.08	0.09	0.10
		800	0.09	0.09	0.09	0.10	0.12
		900	0.1	0.10	0.10	0.11	0.13
		1000	0.12	0.12	0.12	0.13	0.15
		1100	0.13	0.13	0.13	0.14	0.17
		1200	0.15	0.15	0.15	0.16	0.19
		1300	0.17	0.17	0.17	0.18	0.21
030 (2.5)	NL UB	400	0.05	0.05	0.05	0.06	0.07
		500	0.06	0.06	0.06	0.07	0.08
		600	0.07	0.07	0.07	0.08	0.09
		700	0.08	0.08	0.08	0.09	0.10
		800	0.09	0.09	0.09	0.10	0.12
		900	0.1	0.10	0.10	0.11	0.13
		1000	0.12	0.12	0.12	0.13	0.15
		1100	0.13	0.13	0.13	0.14	0.17
		1200	0.15	0.15	0.15	0.16	0.19
		1300	0.17	0.17	0.17	0.18	0.21
036 (3.0)	NL UB	400	0.05	0.05	0.05	0.06	0.07
		500	0.06	0.06	0.06	0.07	0.08
		600	0.07	0.07	0.07	0.08	0.09
		700	0.08	0.08	0.08	0.09	0.10
		800	0.09	0.09	0.09	0.10	0.12
		900	0.1	0.10	0.10	0.11	0.13
		1000	0.12	0.12	0.12	0.13	0.15
		1100	0.13	0.13	0.13	0.14	0.17
		1200	0.15	0.15	0.15	0.16	0.19
		1300	0.17	0.17	0.17	0.18	0.21
042 (3.5)	NL	400	0.05	0.05	0.05	0.06	0.07
		500	0.06	0.06	0.06	0.07	0.08
		600	0.07	0.07	0.07	0.08	0.09
		700	0.08	0.08	0.08	0.09	0.10
		800	0.09	0.09	0.09	0.10	0.12
		900	0.1	0.10	0.10	0.11	0.13
		1000	0.12	0.12	0.12	0.13	0.15
		1100	0.13	0.13	0.13	0.14	0.17
		1200	0.15	0.15	0.15	0.16	0.19
		1300	0.17	0.17	0.17	0.18	0.21
042 (3.5)	UB	1400	0.19	0.19	0.19	0.20	0.23
		500	0.09	0.09	0.09	0.10	0.12
		600	0.1	0.10	0.10	0.11	0.13
		700	0.12	0.12	0.12	0.13	0.15
		800	0.13	0.13	0.13	0.14	0.17
		900	0.15	0.15	0.15	0.16	0.19
		1000	0.17	0.17	0.17	0.18	0.21
		1100	0.19	0.19	0.19	0.20	0.23
		1200	0.21	0.21	0.21	0.22	0.25
		1300	0.23	0.23	0.23	0.24	0.27
		1400	0.25	0.25	0.25	0.26	0.29
		1500	0.27	0.27	0.27	0.28	0.31
		1600	0.29	0.29	0.29	0.30	0.33
		1700	0.31	0.31	0.31	0.32	0.35
1800	0.33	0.33	0.33	0.34	0.37		
1900	0.35	0.35	0.35	0.36	0.39		
2000	0.37	0.37	0.37	0.38	0.41		
2100	0.39	0.39	0.39	0.40	0.43		
2200	0.41	0.41	0.41	0.42	0.45		

Additional Static Resistance (Continued)

Size (Tons)	Model	CFM	Wet Indoor Coil	Electric Heat, kW			
				5	6.5	10	15
048 (4.0)	NL	800	0.09	0.09	0.09	0.10	0.12
		900	0.1	0.10	0.10	0.11	0.13
		1000	0.12	0.12	0.12	0.13	0.15
		1100	0.13	0.13	0.13	0.14	0.17
		1200	0.15	0.15	0.15	0.16	0.19
		1300	0.17	0.17	0.17	0.18	0.21
		1400	0.19	0.19	0.19	0.20	0.23
		1500	0.21	0.21	0.21	0.22	0.25
		1600	0.23	0.23	0.23	0.24	0.27
		1700	0.25	0.25	0.25	0.26	0.29
		1800	0.27	0.27	0.27	0.28	0.31
		1900	0.29	0.29	0.29	0.30	0.33
	UB	2000	0.31	0.31	0.31	0.32	0.35
		2100	0.33	0.33	0.33	0.34	0.37
		2200	0.35	0.35	0.35	0.36	0.39
		500	0.09	0.09	0.09	0.10	0.12
		600	0.1	0.10	0.10	0.11	0.13
		700	0.12	0.12	0.12	0.13	0.15
		800	0.13	0.13	0.13	0.14	0.17
		900	0.15	0.15	0.15	0.16	0.19
		1000	0.17	0.17	0.17	0.18	0.21
		1100	0.19	0.19	0.19	0.20	0.23
060 (5.0)	NL	1200	0.21	0.21	0.21	0.22	0.25
		1300	0.23	0.23	0.23	0.24	0.27
		1400	0.25	0.25	0.25	0.26	0.29
		1500	0.27	0.27	0.27	0.28	0.31
		1600	0.29	0.29	0.29	0.30	0.33
		1700	0.31	0.31	0.31	0.32	0.35
		1800	0.33	0.33	0.33	0.34	0.37
		1900	0.35	0.35	0.35	0.36	0.39
		2000	0.37	0.37	0.37	0.38	0.41
		2100	0.39	0.39	0.39	0.40	0.43
		2200	0.41	0.41	0.41	0.42	0.45
		UB	800	0.09	0.09	0.09	0.10
	900		0.1	0.10	0.10	0.11	0.13
	1000		0.12	0.12	0.12	0.13	0.15
	1100		0.13	0.13	0.13	0.14	0.17
	1200		0.15	0.15	0.15	0.16	0.19
	1300		0.17	0.17	0.17	0.18	0.21
	1400		0.19	0.19	0.19	0.20	0.23
	1500		0.21	0.21	0.21	0.22	0.25
	1600		0.23	0.23	0.23	0.24	0.27
	1700		0.25	0.25	0.25	0.26	0.29
	UB	1800	0.27	0.27	0.27	0.28	0.31
1900		0.29	0.29	0.29	0.30	0.33	
2000		0.31	0.31	0.31	0.32	0.35	
2100		0.33	0.33	0.33	0.34	0.37	
2200		0.35	0.35	0.35	0.36	0.39	
500		0.09	0.09	0.09	0.10	0.12	
600		0.1	0.10	0.10	0.11	0.13	
700		0.12	0.12	0.12	0.13	0.15	
800		0.13	0.13	0.13	0.14	0.17	
900		0.15	0.15	0.15	0.16	0.19	
1000		0.17	0.17	0.17	0.18	0.21	
1100		0.19	0.19	0.19	0.20	0.23	
1200	0.21	0.21	0.21	0.22	0.25		
1300	0.23	0.23	0.23	0.24	0.27		
1400	0.25	0.25	0.25	0.26	0.29		
1500	0.27	0.27	0.27	0.28	0.31		
1600	0.29	0.29	0.29	0.30	0.33		
1700	0.31	0.31	0.31	0.32	0.35		
1800	0.33	0.33	0.33	0.34	0.37		
1900	0.35	0.35	0.35	0.36	0.39		
2000	0.37	0.37	0.37	0.38	0.41		
2100	0.39	0.39	0.39	0.40	0.43		
2200	0.41	0.41	0.41	0.42	0.45		

Electric Heat Minimum Supply Air

Size (Tons)	Model	Voltage	Minimum Supply Air (CFM)			
			Heater kW			
			5.0	6.5	10	15
024 (2.0)	NL	208/230-1-60	800	800	800	775
030 (2.5)	NL	208/230-1-60	800	800	800	775
036 (3.0)	NL	208/230-1-60	800	800	800	775
042 (3.5)	NL	208/230-1-60	800	800	800	775
048 (4.0)	NL	208/230-1-60	1300	1300	1270	1160
060 (5.0)	NL	208/230-1-60	1300	1300	1270	1160
024 (2.0)	UB	208/230-1-60	800	800	800	750
030 (2.5)	UB	208/230-1-60	800	800	800	750
036 (3.0)	UB	208/230-1-60	800	800	800	750
042 (3.5)	UB	208/230-1-60	1300	1300	1270	1270
048 (4.0)	UB	208/230-1-60	1300	1300	1270	1270
060 (5.0)	UB	208/230-1-60	1300	1300	1270	1270

Indoor Blower Specifications

Size (Tons)	Model	Motor				
		HP	RPM	Eff.	SF	Frame
024 (2.0)	NL	1/2	1075	0.8	1.0	48
030 (2.5)	NL	1/2	1075	0.8	1.0	48
036 (3.0)	NL	1/2	1075	0.8	1.0	48
042 (3.5)	NL	1/2	1100	0.8	1.0	48
048 (4.0)	NL	1	1100	0.8	1.0	48
060 (5.0)	NL	1	1100	0.8	1.0	48
024 (2.0)	UB	1/2	1100	0.8	1.0	48
030 (2.5)	UB	1/2	1100	0.8	1.0	48
036 (3.0)	UB	1/2	1100	0.8	1.0	48
042 (3.5)	UB	1	1100	0.8	1.0	48
048 (4.0)	UB	1	1100	0.8	1.0	48
060 (5.0)	UB	1	1100	0.8	1.0	48

Electric Heat Multipliers

Voltage		kW Capacity Multipliers ¹
Nominal	Applied	
240	208	0.75
	230	0.92

1. Electric heaters are rated at nominal voltage. Use this table to determine the electric heat capacity for heaters applied at lower voltages.

Sound Performance

Outdoor Sound Power Levels

Size (Tons)	Model	Sound Rating ¹ dB (A)	Octave Band Centerline Frequency (Hz)						
			125	250	500	1000	2000	4000	8000
024 (2.0)	NL	76	56.7	62.8	68.6	71.5	69.6	65.4	58.4
	UB	82	61.5	77.7	68.4	76.3	76.5	73.5	61.1
030 (2.5)	NL	78	61.1	67.5	71.2	72.3	69.4	70.0	59.5
	UB	81	63.1	68.6	78.8	75.5	69.4	69.7	63.9
036 (3.0)	NL	80	65.6	70.6	73.5	74.9	74.1	68.8	61.5
	UB	81	65.5	68.7	73.1	77.2	73.9	67.5	63
042 (3.5)	NL	80	65.1	68.9	73.7	75.1	71.8	67	64.8
	UB	83	67.5	70.5	78	78.8	75.9	70.1	66.6
048 (4.0)	NL	83	67.7	73.8	77.9	79.2	74.9	70.1	65
	UB	81	66	71.9	75.3	76.6	73.8	70.3	63.3
060 (5.0)	NL	83	64.6	70.5	77	78.4	74.8	71	64.9
	UB	82	65.6	71.8	75.8	76.6	74.3	73	64.2

1. Rated in accordance with AHRI 270 standard.

Electrical Data

NL024-060 Cooling Only With/Without Electric Heat

Size (Tons)	Volt	Compressors (each)			OD Fan Motors (each)	Supply Blower Motor	Electric Heat Option				MCA ¹ (Amps)	MOCP ² (Amps)	Factory Fuse ³ / Size (Amps)
		RLA	LRA	MCC	FLA	FLA	Model	kW	Stages	Amps			
024 (2.0)	208/230-1	13.4	58.3	21.0	1.2	3.3	None	-	-	-	21.3	30	30
							2PH08520506	3.6/4.8	1	17.2/19.9	25.7/29	30/30	30/30
							2PH08520706	4.9/6.5	1	23.5/27.1	33.5/38	35/40	35/40
							2PH08521006	7.2/9.6	1	34.5/39.8	47.2/53.9	50/60	50/60
							2PH08521506	10.8/14.3	1	51.7/59.7	68.8/78.8	70/80	70/80
030 (2.5)	208/230-1-60	10.6	54.0	16.6	1.4	3.3	None	-	-	-	18.0	25	25
							2PH08520506	3.6/4.8	1	17.2/19.9	25.7/29.0	30/30	30/30
							2PH08520706	4.9/6.5	1	23.5/27.1	33.5/38.0	35/40	35/40
							2PH08521006	7.2/9.6	1	34.5/39.8	47.2/53.9	50/60	50/60
							2PH08521506	10.8/14.3	1	51.7/59.7	68.8/78.8	70/80	70/80
036 (3.0)	208/230-1-60	14.7	74.0	23.0	1.4	3.3	None	-	-	-	23.1	30	30
							2PH08520506	3.6/4.8	1	17.2/19.9	25.7/29.0	35/35	35/35
							2PH08520706	4.9/6.5	1	23.5/27.1	33.5/38.0	35/40	35/40
							2PH08521006	7.2/9.6	1	34.5/39.8	47.2/53.9	50/60	50/60
							2PH08521506	10.8/14.3	1	51.7/59.7	68.8/78.8	70/80	70/80
042 (3.5)	208/230-3-60	9.1	68.0	14.2	1.4	3.3	None	-	-	-	16.1	25	25
							None	-	-	-	25.8	35	35
							2PH08520506	3.6/4.8	1	17.2/19.9	26.7/30.0	35/40	35/40
							2PH08520706	4.9/6.5	1	23.5/27.1	34.5/39.0	40/40	40/40
							2PH08521006	7.2/9.6	1	34.5/39.8	48.2/54.9	50/60	50/60
048 (4.0)	208/230-1-60	18.6	102.0	29.0	1.7	7.6	None	-	-	-	32.6	45	45
							2PH08520506	3.6/4.8	1	17.2/19.9	32.6/34.4	45/45	45/45
							2PH08520706	4.9/6.5	1	23.5/27.1	38.8/43.4	50/50	50/50
							2PH08521006	7.2/9.6	1	34.5/39.8	52.6/59.3	60/60	60/60
							2PH08521506	10.8/14.3	1	51.7/59.7	74.2/84.1	80/90	80/90
060 (5.0)	208/230-3-60	12.2	88.0	19.0	1.7	7.6	None	-	-	-	24.6	35	35
							None	-	-	-	12.0	15	15
							None	-	-	-	42.3	60	60
							2PH08520506	3.6/4.8	1	17.2/19.9	42.3/42.3	60/60	60/60
							2PH08520706	4.9/6.5	1	23.5/27.1	42.3/43.4	60/60	60/60
060 (5.0)	460-3-60	5.8	44.0	9.0	0.9	3.8	None	-	-	-	29.2	40	40
							None	-	-	-	14.3	20	20
							None	-	-	-	42.3	60	60
							2PH08521006	7.2/9.6	1	34.5/39.8	52.6/59.3	60/60	60/60
							2PH08521506	10.8/14.3	1	51.7/59.7	74.2/84.1	80/90	80/90

1. Minimum Circuit Ampacity.

2. Maximum Over Current Protection per standard UL 1995.

3. Fuse or HACR circuit breaker size installed at factory or field installed.

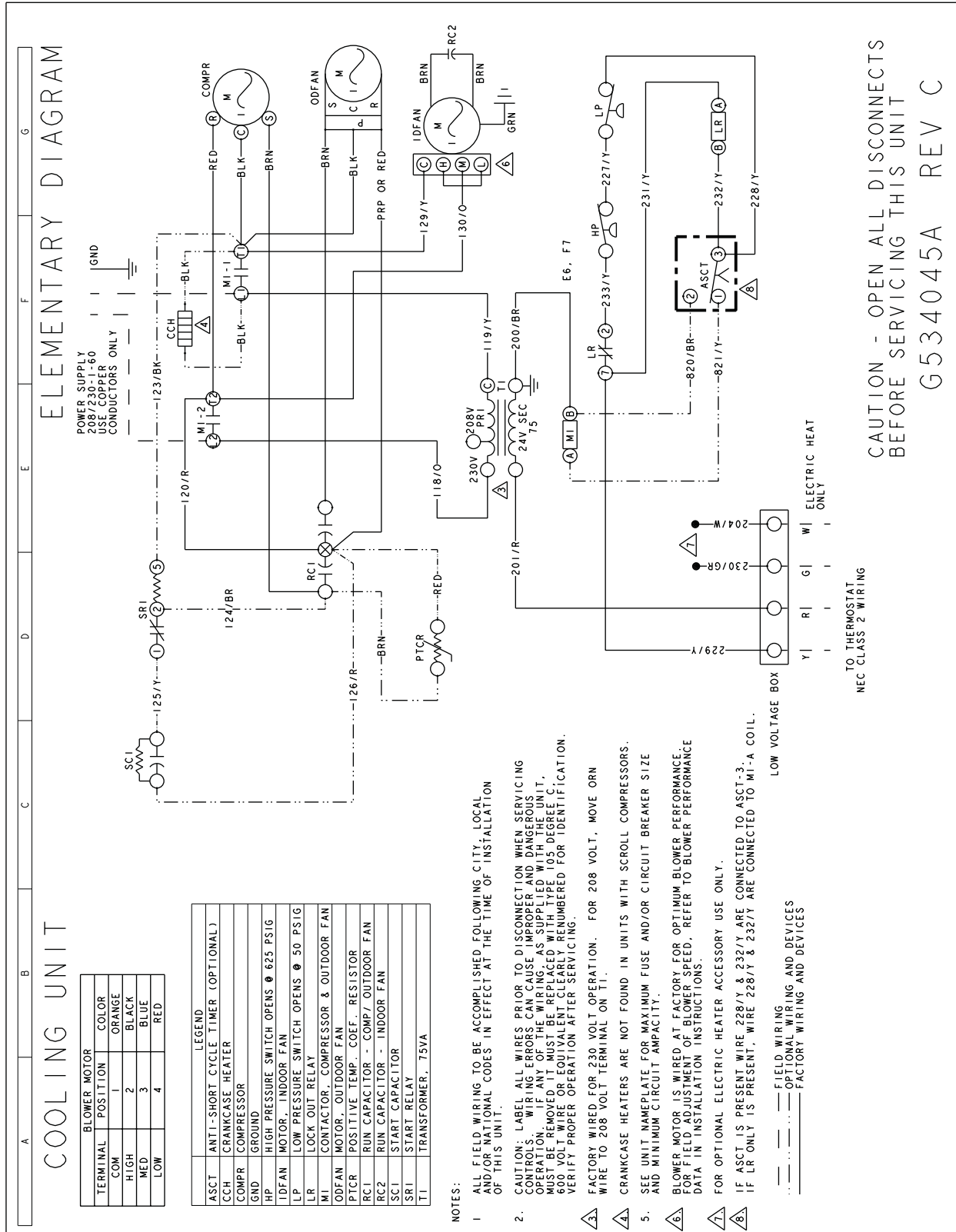
UB024-060 Cooling Only With/Without Electric Heat

Size (Tons)	Volt	Compressors (each)			OD Fan Motors (each)	Supply Blower Motor	Electric Heat Option				MCA ¹ (Amps)	MOCP ² (Amps)	Factory Fuse ³ / Size (Amps)
		RLA	LRA	MCC	FLA	FLA	Model	kW	Stages	Amps			
024 (2.0)	208/230-1-60	13.4	58.3	21.0	1.2	4.1	None	-	-	-	22.1	30	30
							2PH08520506	3.6/4.8	1	17.2/19.9	43.6/46.9	50/50	50/50
							2PH08520706	4.9/6.5	1	23.5/27.1	51.4/55.9	60/60	60/60
							2PH08521006	7.2/9.6	1	34.5/39.8	65.2/71.8	70/80	70/80
							2PH08521506	10.8/14.3	1	51.7/59.7	86.7/96.7	90/100	90/100
030 (2.5)	208/230-1-60	14.1	73.0	22.0	1.2	4.1	None	-	-	-	22.9	30	30
							2PH08520506	3.6/4.8	1	17.2/19.9	44.5/47.8	50/50	50/50
							2PH08520706	4.9/6.5	1	23.5/27.1	52.3/56.8	60/60	60/60
							2PH08521006	7.2/9.6	1	34.5/39.8	66/72.7	70/80	70/80
							2PH08521506	10.8/14.3	1	51.7/59.7	87.6/97.6	90/100	90/100
036 (3.0)	208/230-1-60	16.6	79.0	26.0	1.4	4.1	None	-	-	-	26.3	35	35
							2PH08520506	3.6/4.8	1	17.2/19.9	47.8/51.1	60/60	60/60
							2PH08520706	4.9/6.5	1	23.5/27.1	55.6/60.1	60/70	60/70
							2PH08521006	7.2/9.6	1	34.5/39.8	69.4/76	70/80	70/80
							2PH08521506	10.8/14.3	1	51.7/59.7	90.9/100.9	100/110	100/110
	208/230-3-60	10.4	73.0	16.3	1.4	4.1	None	-	-	-	18.5	25	25
042 (3.5)	208/230-1	19.8	109.0	31.0	2.2	7.6	None	-	-	-	34.6	45	45
							2PH08520506	3.6/4.8	1	17.2/19.9	56.1/59.4	70/70	70/70
							2PH08520706	4.9/6.5	1	23.5/27.1	63.9/68.4	70/80	70/80
							2PH08521006	7.2/9.6	1	34.5/39.8	77.7/84.3	80/90	80/90
							2PH08521506	10.8/14.3	1	51.7/59.7	99.2/109.2	110.0	110.0
	208/230-3	13.7	83.1	21.4	2.2	7.6	None	-	-	-	26.9	35	35
048 (4.0)	208/230-1	21.8	117.0	34.0	2.2	7.6	None	-	-	-	37.1	50	50
							2PH08520506	3.6/4.8	1	17.2/19.9	58.6/61.9	70/70	70/70
							2PH08520706	4.9/6.5	1	23.5/27.1	66.4/70.9	80/80	80/80
							2PH08521006	7.2/9.6	1	34.5/39.8	80.2/86.8	90/90	90/90
							2PH08521506	10.8/14.3	1	51.7/59.7	101.7/111.7	110/125	110/125
	208/230-3	13.7	83.1	21.4	2.2	7.6	None	-	-	-	26.9	35	35
060 (5.0)	208/230-1-60	25.0	134.0	39.0	2.2	7.6	None	-	-	-	41.1	60	60
							2PH08520506	3.6/4.8	1	17.2/19.9	62.6/65.9	80/80	80/80
							2PH08520706	4.9/6.5	1	23.5/27.1	70.4/74.9	80/90	80/90
							2PH08521006	7.2/9.6	1	34.5/39.8	84.2/90.8	100/100	100/100
							2PH08521506	10.8/14.3	1	51.7/59.7	105.7/115.7	110/125	110/125
	208/230-3-60	15.9	110.0	24.8	2.2	7.6	None	-	-	-	29.7	40	40
460-3-60	7.0	52.0	11.0	1.1	3.8	None	-	-	-	13.7	20	20	

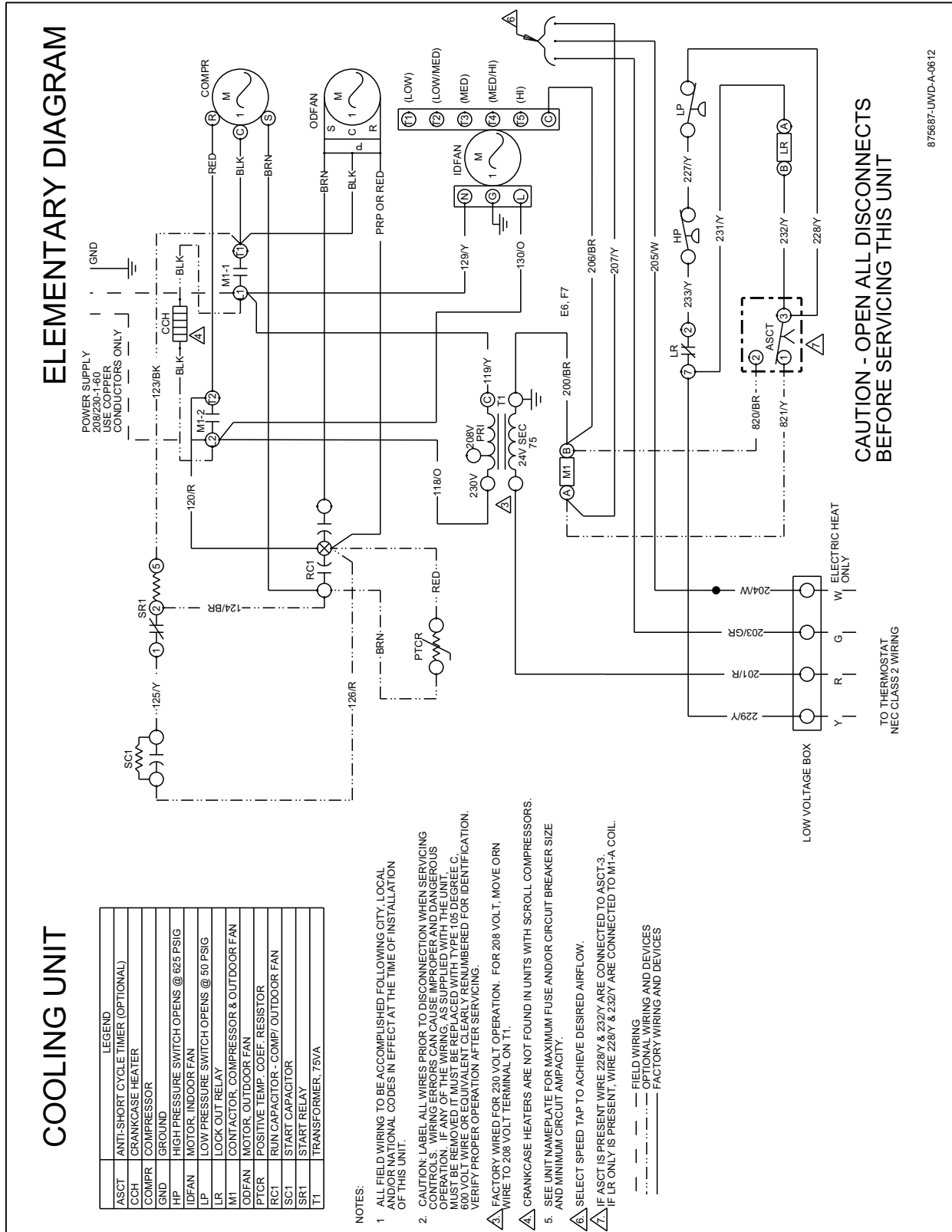
1. Minimum Circuit Ampacity.
2. Maximum Over Current Protection per standard UL 1995.
3. Fuse or HACR circuit breaker size installed at factory or field installed.

NL/UB024-060 Typical Wiring Diagrams

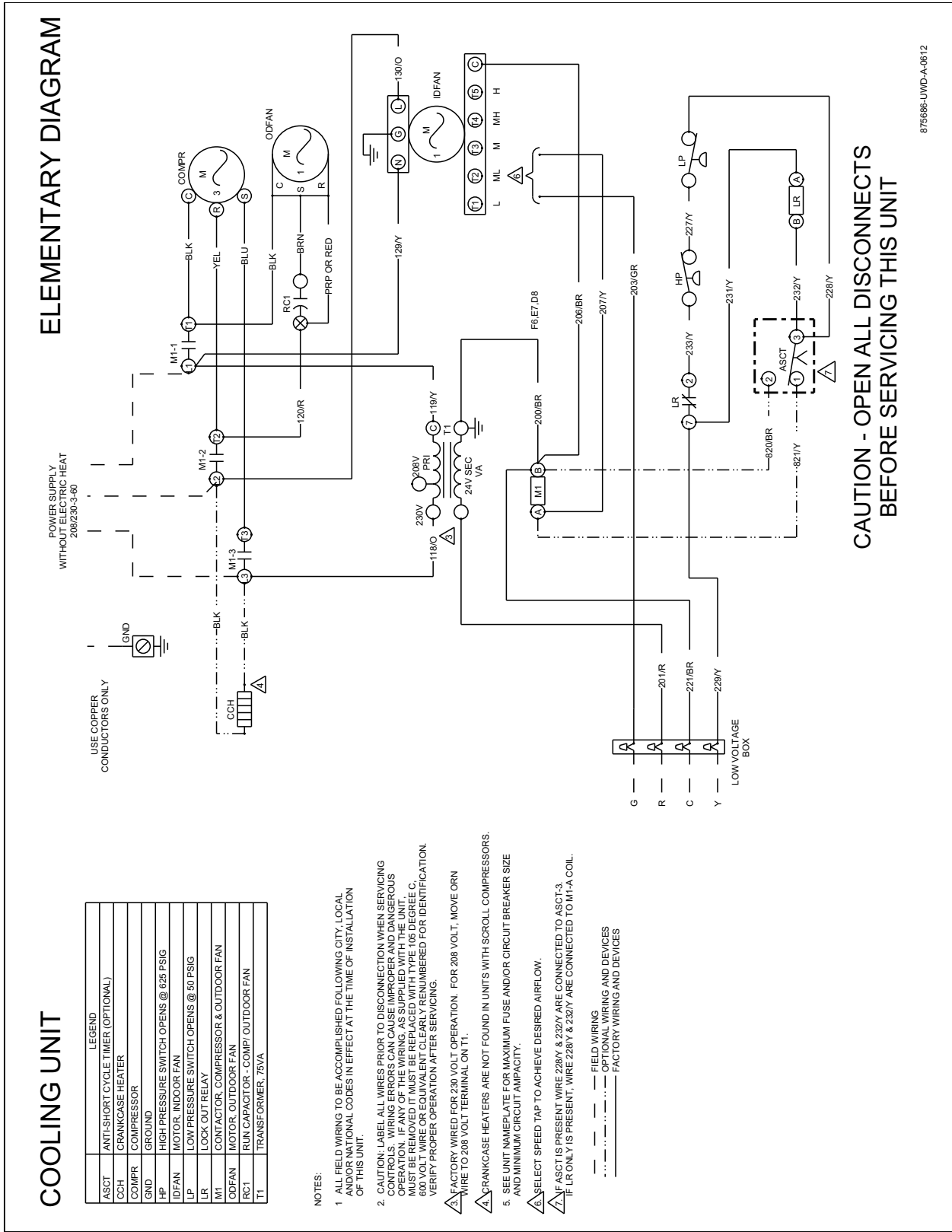
NL024, 030 and 036 Typical Cooling Unit 208/230-1-60 volt Wiring Diagram



NL042, 048 and 060 Typical Cooling Unit 208/230-1-60 volt Wiring Diagram

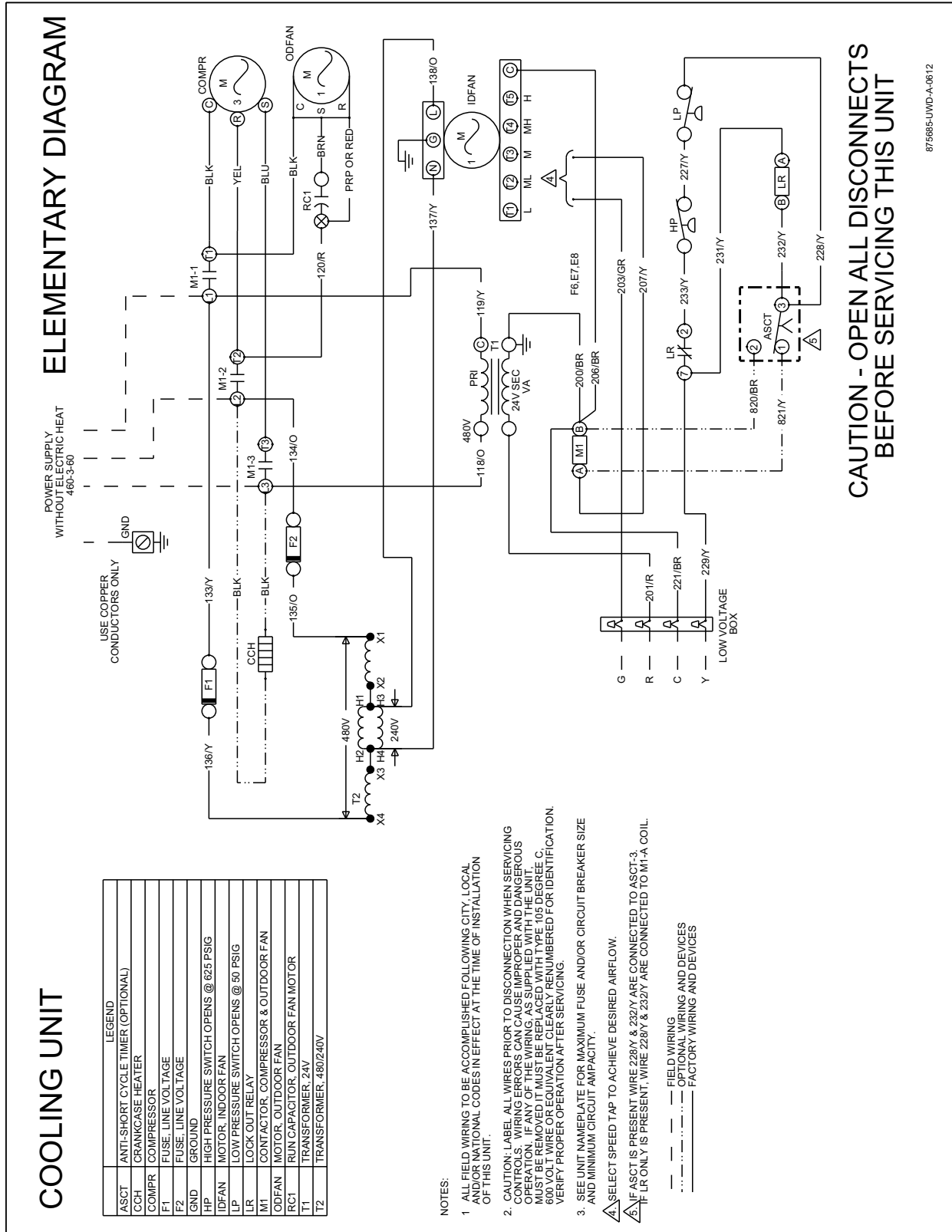


NL048 and 060 Typical Cooling Unit 208/230-3-60 volt Wiring Diagram



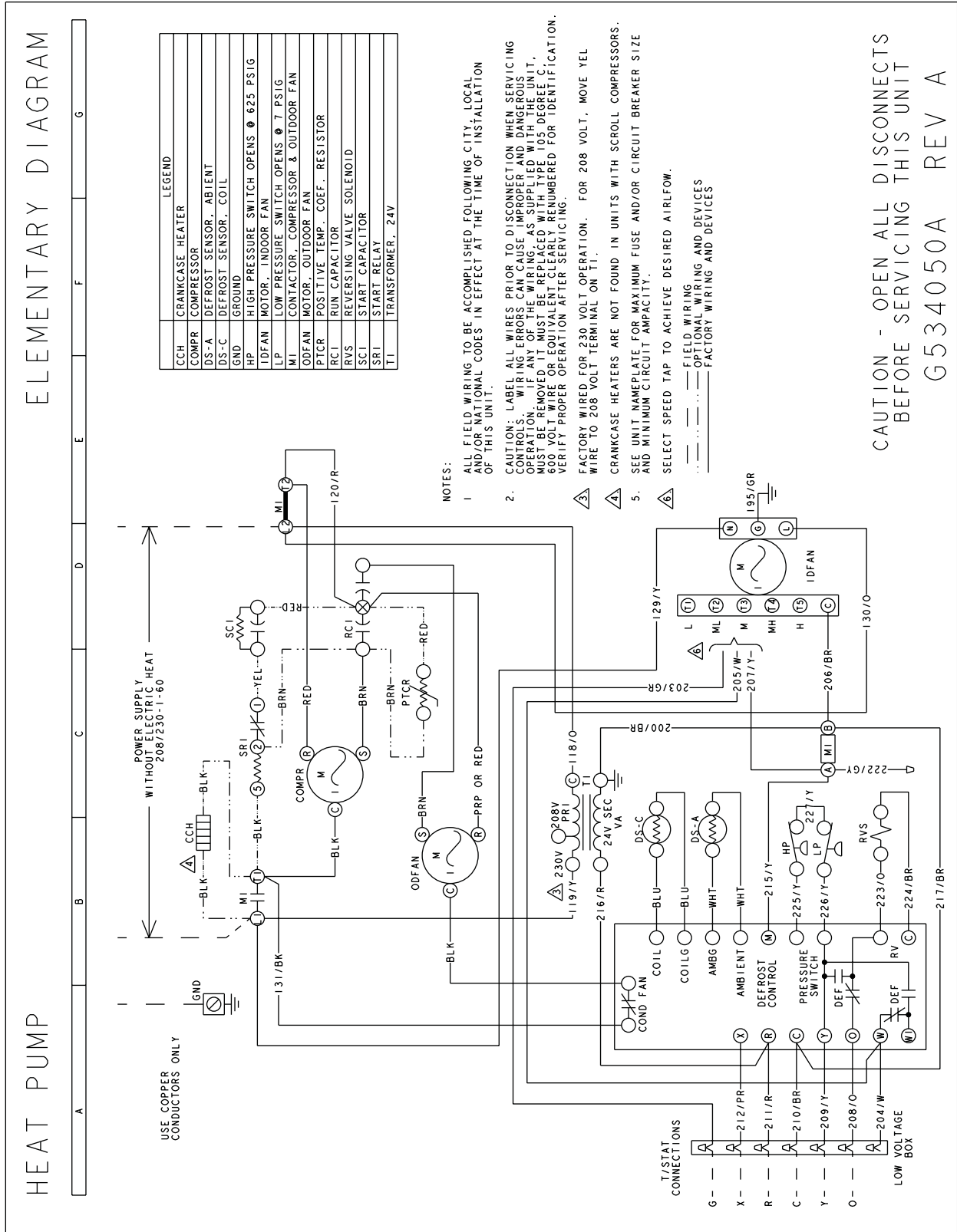
875666-UWD-A-0612

NL048 and 060 Typical Cooling Unit 460-3-60 volt Wiring Diagram

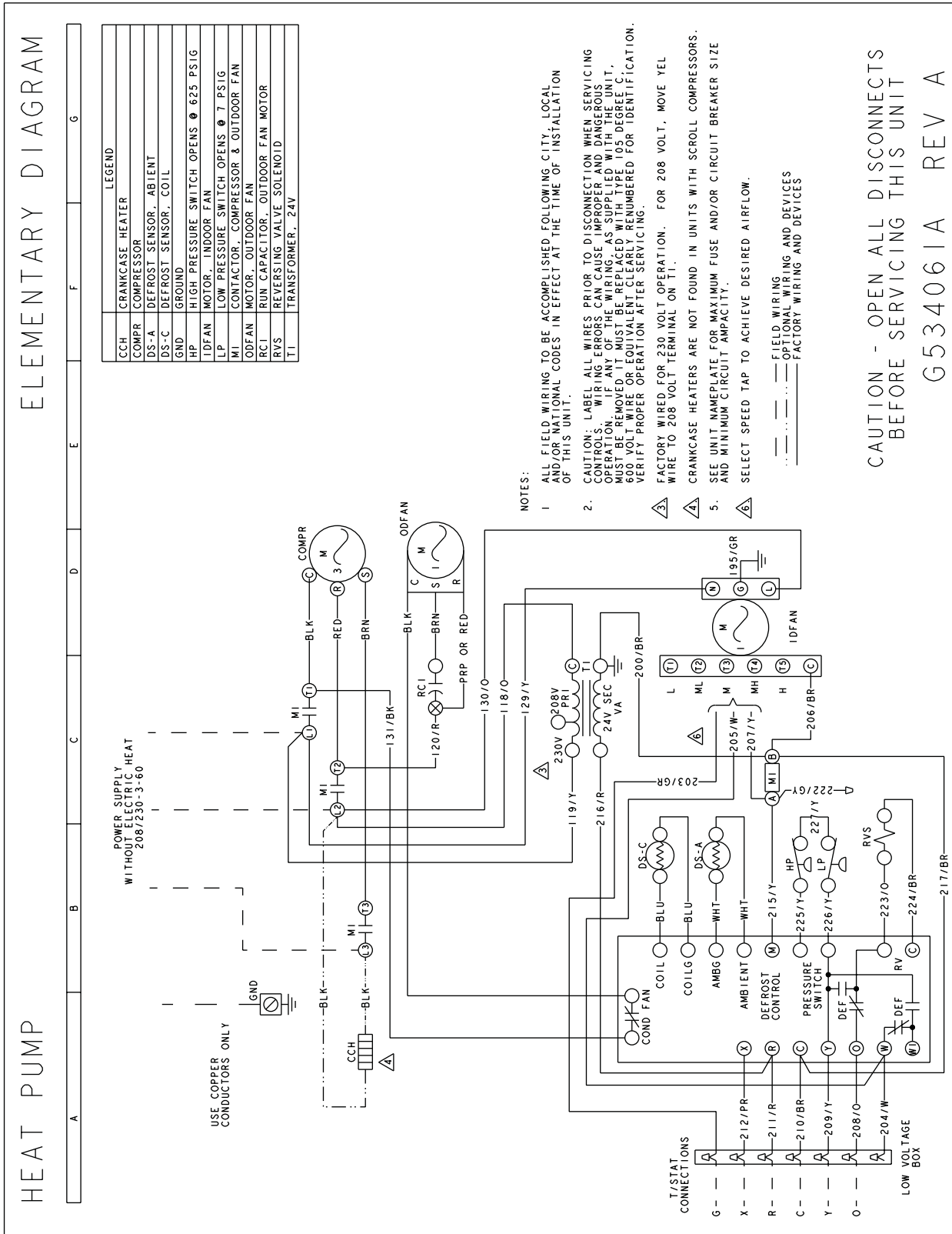


875685-UWD-A-0612

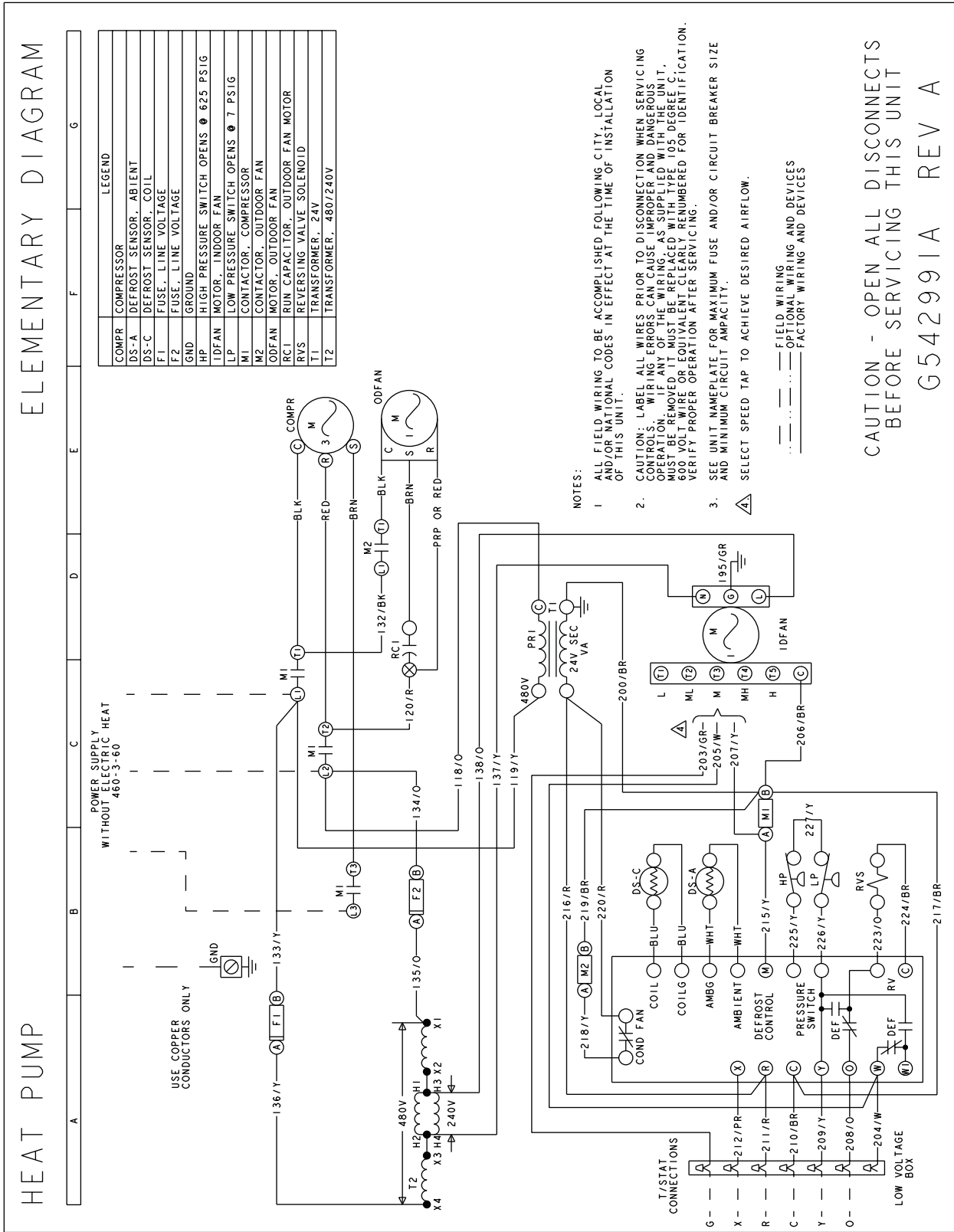
UB024-060 Typical Heat Pump 208/230-1-60 volt Wiring Diagram



UB036, 048 and 060 Typical Heat Pump 208/230-3-60 volt Wiring Diagram



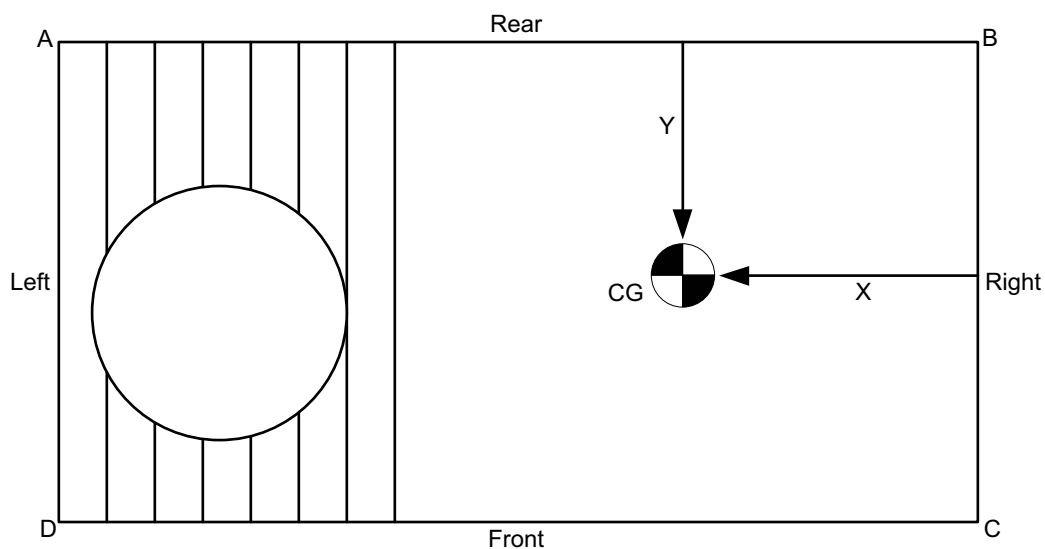
UB060 Typical Heat Pump 460-3-60 volt Wiring Diagram



Weights and Dimensions

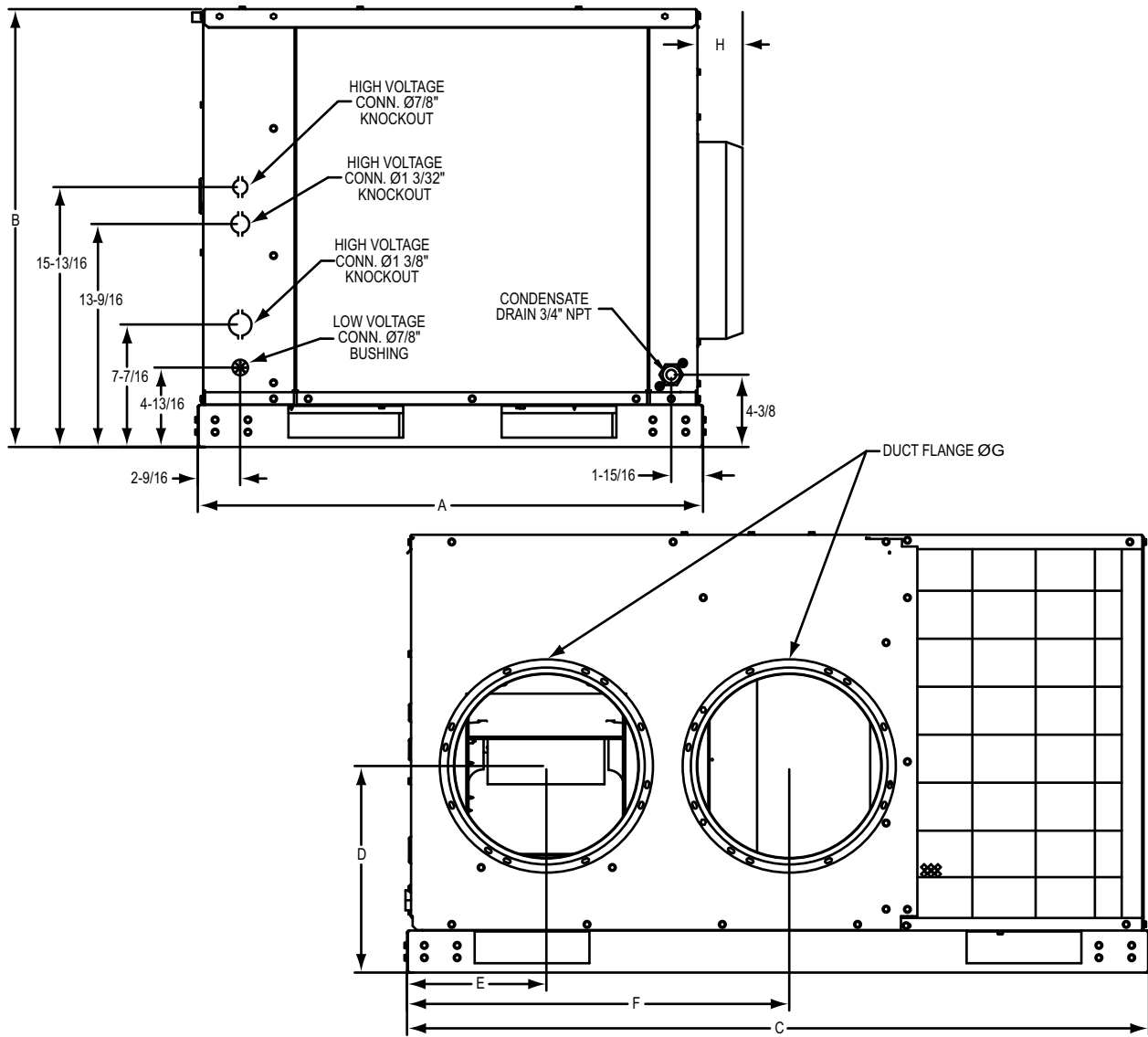
NL and UB Unit Weights

Unit 4 Point Load Weights



Size (Tons)	Model	Weight (lbs.)		Center of Gravity		4 Point Load Location (lbs.)			
		Shipping	Operating	X	Y	A	B	C	D
024 (2.0)	NL	279	276	23.5	16	68	71	71	68
	UB	328	325	21.75	14	75	67	86	96
030 (2.5)	NL	282	279	23.5	16	68	71	71	68
	UB	343	340	21.75	14	78	70	90	101
036 (3.0)	NL	318	315	22	15.5	80	73	78	85
	UB	348	345	23.5	15	79	83	94	90
042 (3.5)	NL	318	315	22	15.5	80	73	78	85
	UB	375	372	23.5	15	100	69	83	120
048 (4.0)	NL	360	357	29	16	86	87	93	91
	UB	388	385	28.75	16.25	95	95	98	98
060 (5.0)	NL	353	350	29	16	84	86	91	89
	UB	395	392	28.75	16.25	97	97	99	99

Unit Dimensions



Unit Dimensions

Size (Tons)	Model	Dimensions							
		"A"	"B"	"C"	"D"	"E"	"F"	"G"	"H"
024 (2.0)	NL	32 13/16	30 15/16	47 1/4	12 9/16	8 1/2	24 1/16	12	2 3/4
	UB	32 13/16	30 15/16	47 1/4	12 9/16	8 1/2	24 1/16	12	2 3/4
030 (2.5)	NL	32 13/16	30 15/16	47 1/4	12 9/16	8 1/2	24 1/16	12	2 3/4
	UB	32 13/16	30 15/16	47 1/4	12 9/16	8 1/2	24 1/16	12	2 3/4
036 (3.0)	NL	32 13/16	30 15/16	47 1/4	12 9/16	8 1/2	24 1/16	12	2 3/4
	UB	32 13/16	30 15/16	47 1/4	12 9/16	8 1/2	24 1/16	12	2 3/4
042 (3.5)	NL	32 13/16	30 15/16	47 1/4	12 9/16	8 1/2	24 1/16	12	2 3/4
	UB	32 13/16	34 15/16	57 9/16	11 9/16	10 5/16	28 7/8	14	2 3/4
048 (4.0)	NL	32 13/16	34 15/16	57 9/16	11 9/16	10 5/16	28 7/8	14	2 3/4
	UB	32 13/16	34 15/16	57 9/16	11 9/16	10 5/16	28 7/8	14	2 3/4
060 (5.0)	NL	32 13/16	34 15/16	57 9/16	11 9/16	10 5/16	28 7/8	14	2 3/4
	UB	32 13/16	34 15/16	57 9/16	11 9/16	10 5/16	28 7/8	14	2 3/4

Unit Clearances

Direction	Distance (in.)	Direction	Distance (in.)
Top ¹	60	Right	24
Front	36	Left	24
Rear ²	18	Bottom	0

1. Units must be installed outdoors. Over hanging structure or shrubs should not obscure condenser air discharge outlet.
2. Unit may be positioned to draw air from underneath structure.

