



HEATING & AIR CONDITIONING
TECHNICAL GUIDE
R-410A
AFFINITY™ SERIES
DNZ/DNQ/DNX MODELS
2 - 5 TON
60 Hertz

Description

These Coleman Echelon™ packaged cooling/heating air conditioners are designed for outdoor installation. Only utility and duct connections are required at the point of installation.

The single or two stage gas-fired heaters have aluminized steel tubular heat exchangers and spark to pilot ignition. They are available in natural gas with field conversion to propane.



Tested in accordance with:

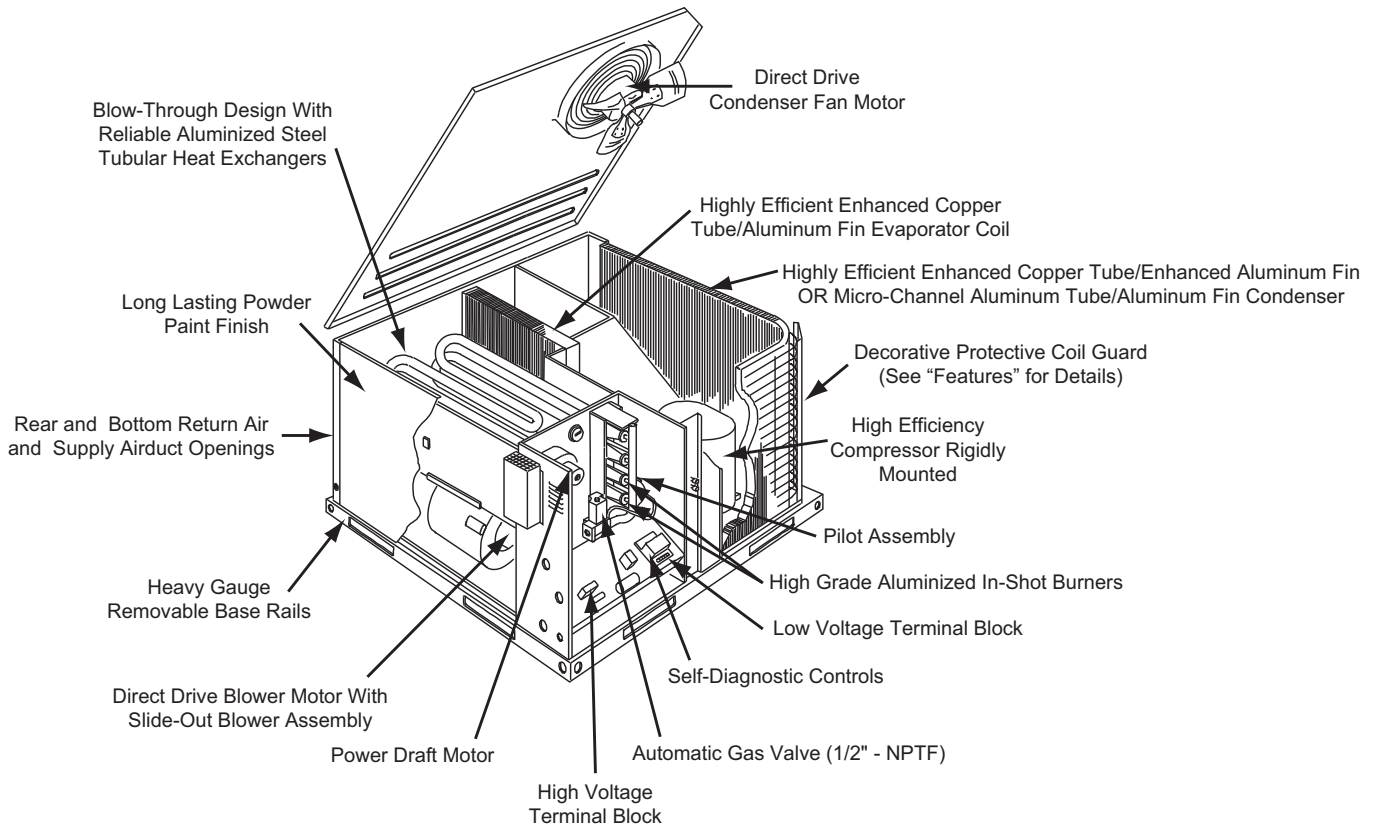


Table of Contents

| | |
|-------------------------------|----|
| Description | 1 |
| Table of Contents | 2 |
| Component Location | 2 |
| Nomenclature | 3 |
| Features and Benefits | 3 |
| Guide Specifications | 5 |
| Physical Data | 7 |
| Capacity Performance | 14 |
| Airflow Performance | 42 |
| Sound Performance | 54 |
| Electrical Data | 56 |
| Typical Wiring Diagrams | 58 |
| Weights and Dimensions | 78 |

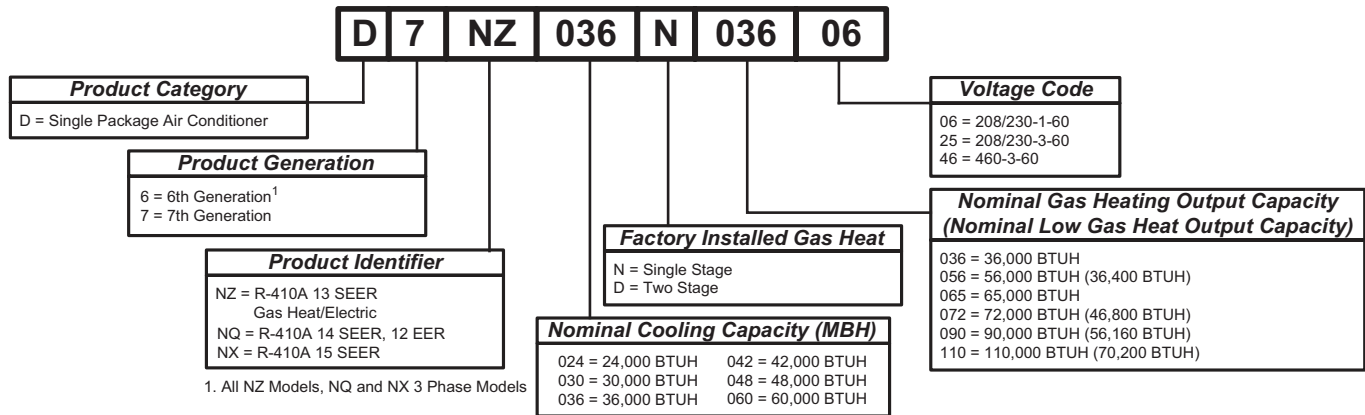
Component Location

Cooling/Gas Unit



Nomenclature

Cooling/Gas Unit



Features and Benefits

Standard Features

- **Operating Efficiency** - DNZ model gas units provide a minimum AFUE of 80 and SEERS of 13.0. DNQ Model gas units provide a minimum AFUE of 81 and 14 SEER / 12 EERs. DNX model gas units provide a minimum AFUE of 81 and SEERS of 15.0 to 16.5. All efficiencies exceed legislated minimum levels.
- **On Site Flexibility** - All model sizes share a common, compact design cabinet in a single footprint. The installer has the flexibility of setting one curb and placing the proper tonnage unit on that curb after the internal load has been determined. Field convertible duct connections from side shot to down shot allows the installer to have greater flexibility with less inventory.
- **Lower Installation Cost** - Installation time and costs are reduced by easy power and control wiring connections. The small base dimension means less space is required on the ground or roof, plus, the installer can fit this unit between the wheel wells of full size pick-up truck.
All units are completely wired, charged with R-410A and tested prior to shipment. Unique test stations using a new state of the art computerized process system are used to insure product quality. Refrigerant charge and component part numbers are verified via computers at assembly. Vital run test statistics such as system pressure, motor currents, air velocity and temperature, unit vibration, and gas system safeties are monitored and recorded by the system to insure unit performance.
Equal size, side supply and return duct connections allows easy hook-up of ducts to match low crawl spaces without transition pieces.
- **Utility Connections Made Easy** - Gas and electric utility knockouts are provided through the bottom as well as the side of the unit. Utility connections can be made quickly and

with a minimum amount of field labor. A field supplied and field installed electrical disconnect switch must be installed.

- **Convertible Airflow Design** - The bottom duct openings are covered when they leave the factory ready to be used for a side supply/side return application. If a bottom supply/bottom return application is desired, you simply remove the two panels from the bottom of the unit and place them in the side supply/side return duct openings. No panel cutting is required and no accessory panel is necessary. Convertible airflow design allows maximum field flexibility and minimum inventory.
- **Condensate Pan** - A non-corrosive, long-lasting, water-tight pan is positioned below the evaporator coil to collect and drain all condensate. Less collection of stagnate condensate will build-up. The condensate pan conforms to ASHRAE 62-89 standards (Ventilation for Acceptable Indoor Air Quality).
- **Condensate Drain** - The 3/4 inch NPTF connection is rigidly mounted to assure proper fit and leak tight seal.
- **Durable Finish** - The cabinet is made of pre-painted steel. The pre-treated galvanized steel provides a better paint to steel bond, which resists corrosion and rust creep. Special primer formulas and matted-textured finish insure less fading when exposed to sunlight.
- **Full Perimeter Base Rails** - The easily removable base rails provide a solid foundation for the entire unit and protects the unit during shipment. The rails provide fork lift access from all sides, and rigging holes are also provided so that an overhead crane can be used to place the units on a roof. On applications where the unit is placed on a pad, the base will keep the unit off the pad to deter corrosion. On applications where height is limited, the inch high base rails may be removed on location.
- **More Attractive Appearance** - A single piece Water Shed top cover containing a top discharge condenser fan arrangement requires less square footage on installation and provides a wider variety of installations. The one piece design adds greater water integrity. Rounded

corners with water drip edges add to the attractive appearance. The cabinet panels have a non-fibrous insulation that will not release insulation fibers into conditioned area.

- **Top Discharge** - The top discharge condenser fan does not disrupt neighboring areas or dry-out vegetation surrounding the unit. The warm air from the top mounted fan is blown up away from the structure and any landscaping. This allows compact location on multi-unit applications.
- **Condenser Coil Grille** - All DNZ024 thru 060 and DNQ060 models utilize a decorative "Wire Form" coil guard to provide impact protection against large objects. DNQ024 thru 04, and DNX024 thru 048 models utilize a stamped "Louvered" design which provides superior impact protection against smaller objects during transit and after installation.
- **Low Operating Sound Level** - The upward air flow carries the normal operating noise up and away from the living area. The rigid top panel effectively isolates any motor sound. Isolator mounted compressor and the rippled fins of the condenser coil muffle the normal fan motor and compressor operating sounds. The unique formed base pan also aids in sound alterations with it's Super-Structure design. This design strategically places embossments in the pan for optimum strength and rigidity.
- **Fan System** - All models operate over a wide range of design conditions with an electrically commutated fan motor. These units easily match all types of applications and provide greater on site flexibility to match comfort requirement. The cooling speed is factory set and can be field adjusted to a second speed. The heating speed is factory set to maintain mid point rise at the units heating input, but can be field adjusted. This allows maximum comfort conditions.
- **Simple Control Circuit** - A low voltage printed circuit board contains a diagnostic indicator light and a low voltage terminal strip. An additional set of pin connectors is also provided to simplify the field interface of external controls. Mate-n-lock plug connectors are used. The electrical control box is not located in the compressor compartment. The controls are mounted on a Control-Tilt control panel to allow the access cover to be removed for trouble shooting and maintenance without affecting the normal system operating pressures. All wiring internal to the unit is color/number coded.
- **Protected Compressor** - The compressor is internally protected against high pressure and temperature. This is accomplished by the simultaneous operation of high pressure relief valve and a temperature sensor which protect the compressor if undesirable operating conditions occur.
- **Pressure Switches** - High pressure and low pressure/loss of charge switches standard in all units. When abnormal conditions are sensed through the pressure switches, the unit will lock out preventing any further operation until reset or problem is corrected.
- **Exclusive Coil Design** - Grooved copper tubes and enhanced aluminum fin construction improves heat

transfer for maximum efficiency and durability or Micro-Channel aluminum tube, aluminum fin for long lasting durability and efficient operation.

- **Heat Exchangers** - Are corrosion-resistant, aluminized-steel tubular construction to provide long-life, trouble-free operation. The unique blow-through design also assures that condensate does not collect in humid areas when in the cooling cycle. This adds to longer heat exchanger life and higher long term efficiencies.
- **Post Purge Induced Draft Combustion** - Exhausts combustion products from the heat exchanger upon completion of the heating cycle to prolong the heat exchanger life.
- **Self Diagnostic Fan Control Module** - Due to this self diagnostic control, less on site time is required to trouble shoot these units.
- **Spark To Pilot Ignition** - Provides faster heat delivery. This ignition is highly reliable, durable and eliminates nuisance lockouts.
- **Multi Port In-shot Burners** - No field adjustment is required to mix the air and gas. These burners are constructed of high-grade corrosion-resistant, aluminized-steel.
- **Low Maintenance** - Long life, permanently lubricated condenser and evaporator fan motor bearings need no annual maintenance adding greater reliability to the unit. Blower assembly can be easily cleaned by the unique Slip-Track slide-out blower assembly.
- **Secured Service Access Ports** - Protected, externally mounted, re-usable service access ports are provided on both the high and low lines for ease of evacuating and charging the system. No final field mounting required.
- **Easy Service Access** - A large, single panel covers the electrical and gas controls makes servicing easy. The blower compartment has an additional large panel with a built-in handle tab. Removing this panel will allow the blower assembly to slide-out for easy removal for maintenance and ease of trouble shooting.
- **Replacement Parts** - The installer requires no special training to replace any of the components of these units and does not need to maintain an inventory of unique parts.
- **System Integration** - Each unit has the internal ability to integrate an electronic air cleaner or humidifier to work in conjunction with the base unit.

Field Installed Accessories

- **Low NOx Kit** - Kit includes all the necessary hardware and instructions to field convert units to reduce emissions to less than 40 nanogram per Joule. California requirement on single phase models only.
- **Propane Conversion Kit** - Kit includes burner orifices, gas valve conversion and installation instructions necessary to field convert unit from natural gas to propane.
- **High Altitude Conversion Kit (Natural Gas/Propane)** - Kit includes all necessary labels and instructions to field alter

units with natural gas/propane for installations above 2000 feet. Burner orifices must be obtained from Source 1 Parts. Propane Conversion Kit must be obtained separately.

- **Economizer Down Discharge/Supply Kit** - Modulating integrated economizer provides simultaneous operation between the mechanical cooling and economizer operation. Independent blade design insures proper control and less than 1% leak rate. Includes hood and mesh bird screen filter integrated into the hood, dry bulb sensor and relief damper. Separate field accessories of single enthalpy and dual enthalpy are also available. A built-in barometric relief of 25% is provided.
- **Single Enthalpy Sensor** - Sensor replaces dry bulb sensor standard in economizer kit. Provides improved economizer operation by sensing the dry bulb temperature from outdoors plus the enthalpy content of the outdoor air.
- **Dual Enthalpy Sensor** - Additional sensor to single enthalpy sensor. Sensor senses both the return air temperature dry bulb and humidity in conjunction with the single enthalpy to determine the most economical mix. Single Enthalpy sensor also required.
- **Hail Guard Kit** - Kit contains protective grilles made of expanded aluminum with full perimeter frame. Sloped hoods are also included to assure maximum protection.
- **Anti Short Cycle Timer (DNZ Units Only)** - Automatically prevents the compressor from restarting for 5 minutes after cycled off. Not required if Thermostat 2ET07700224 and 2ET04700224 are used.
- **Filter/Frame Kit (Single Phase Only)** - Kit contains the necessary hardware to field install return air filters into the base unit. Pre-cut filter racks and appropriate cleanable standard size filters are shipped in one kit. The filter rack is suitable for either 1" or 2" filters. (1" filter is supplied) This kit is available for single phase horizontal or vertical duct application only. Standard in all 3 Phase models.
- **Motorized Fresh Air Damper** - Designed for duct mounted side supply/return and unit mounted down supply/return applications. Damper capable of providing 0% through 50% of outdoor air (field supplied). Closes on power loss, includes hood and screen assembly.
- **Rectangle To Round Adapters** - Kit includes one supply and one return air rectangle to round duct adapter. Adapters are preformed and designed to fit over current duct openings on the base unit. Transition is from side square duct opening to 14" round duct opening.
- **Roof Curbs** - NRCA approved curbs provide proper fit to base unit for rooftop installations. Curbs are designed to be assembled through hinge pins in each corner. Kit also provides seal strip to assure a water tight seal. 8 and 14 inch high roof curbs are available.
- **Manual Outdoor Damper** - Provides 0% through 50% outdoor air capability (field adjustable). Designed for duct mounted side supply/return applications. Includes hood and screen assembly.
- **Wall Thermostat** - The units are designed to operate with 24-volt electronic and electro-mechanical thermostats. All

units can operate with single stage heat/single stage cool thermostats - with or without the economizer.

- **Low Ambient Kit** - Kit provides necessary hardware to convert unit to operate in cooling cycle down to 0° F. Standard unit operation 45° F.
- **Transformer Kit** - Kit provides necessary hardware to provide single phase models from factory furnished 40 VA transformer capability to 75 VA transformer capability. (Required on installations with economizer or motorized damper.)

Guide Specifications

General

Units shall be manufactured by Unitary Products in an ISO 9001 certified facility. Coleman Echelon™ package units give you the flexibility and choices you need in today's market. These packaged cooling/heating air conditioners are designed for outdoor installation. Only utility and duct connections are required at the point of installation. The single or two stage gas fired heaters have aluminized steel tubular heat exchangers and spark to pilot ignition. They are available in natural gas with field conversion to propane.

Description

Units shall be factory-assembled, single packaged, Electric Cooling/Gas Heating units, designed for outdoor mounted installation. For SEER ratings, refer to technical literature. They shall have built in, equal size, field convertible duct connections for down discharge supply/return or horizontal discharge supply/return. The units shall be factory wired, piped, charged with R-410A Refrigerant and factory tested prior to shipment. All unit wiring shall be both numbered and color coded. All units shall be manufactured in a facility certified to ISO 9001 standards, and the cooling performance shall be rated in accordance with DOE and AHRI test procedures. The heating performance shall be rated to DOE and GAMA test procedures. Units shall be CSA listed and classified to ANSI Z21.47/CAN/CSA 2.3 standards and UL 1995/CAN/CSA No. 236-M90 conditions.

Unit Cabinet

Unit cabinet shall be constructed of G-90, pre-paint textured steel, certified at 500 hours salt spray test per ASTM-B117 standards. The unit top shall be a single piece "Water Shed" design, with drip edges and no-seam corners to provide optimum water integrity. Unit shall have a rigidly mounted condenser coil guard to provide protection from objects and personnel after installation. Indoor blower section shall be insulated with up to 3/4" thick, aluminum, foil faced insulation, fastened to prevent insulation from entering the air stream. Cabinet panels shall be "large" size, easily removable for servicing and maintenance, with built-in lift handles. Unit shall be built on a formed, "Super-Structure" design base pan, with embossments at critical points to add strength, rigidity and aid in minimizing sound. Full perimeter base rails shall be provided to assure reliable transit of equipment, overhead rigging, for

truck access and proper sealing on roof curb applications. Base rails shall be removable, when required, to lower unit height. Filters shall be furnished and be accessible through a removable access door, sealed airtight. Units vertical discharge and return duct configuration shall be designed to fit between standard 24" O.C. beams without modification to building structure, duct work and base unit. Condensate pan shall be internally sloped and conform to ASHRAE 62-89 self-draining standards, with 3/4" NPTF ridged mount connection.

Indoor (Evaporator) Fan Assembly

Fan shall be direct drive design. Fan wheel shall be double-inlet type with forward-curved blades, dynamically balanced to operate smoothly throughout the entire range of operation. Airflow design shall be constant air volume. Bearings shall be sealed and permanently lubricated for longer life and no maintenance. Fan assembly shall be "Slip Track" (slide-out) design for easy removal and cleaning.

Outdoor (Condenser) Fan Assembly

The outdoor fan shall be of the direct-driven propeller type, discharge air vertically, have aluminum blades riveted to corrosion resistant steel spider bracket and shall be statically balanced for smooth operation. The outdoor fan motor shall be totally enclosed with permanently lubricated bearings and internally protected against overload conditions.

Refrigerant Components

Compressors:

- a. Shall be fully hermetic type, direct drive, internally protected with internal high-pressure relief and over temperature protection. The hermetic motor shall be suction gas cooled and have a voltage range of +/- 10% of the unit nameplate voltage.
- b. Shall have internal isolation and sound muffling to minimize vibration and noise, and be externally isolated on a dedicated, independent mounting.

Coils:

- a. Evaporator coils shall have aluminum plate fins mechanically bonded to seamless internally enhanced copper tubes with all joints brazed.
- b. Evaporator coil shall be of the direct expansion, blow through design.
- c. Condenser coils shall have aluminum plate fins mechanically bonded to seamless internally enhanced copper tubes with all joints brazed or Micro-Channel aluminum tube, aluminum fins.
- d. Condenser coil shall be draw through design.

Refrigerant Circuit and Refrigerant Safety Components shall include:

- a. Independent fixed orifice expansion devices.
- b. Filter/strainer to eliminate any foreign matter.

Gas Heating Section (If Equipped)

Heat exchanger and exhaust system shall be constructed of aluminized steel and shall be designed with induced draft combustion with post purge logic and redundant main gas valve. The heat exchanger shall be of the tubular type, constructed of T1-40 aluminized steel for corrosion resistance and allowing minimum mixed air entering temperature of 40 °F. Burners shall be of the in-shot type, constructed of aluminum-coated steel. All gas piping shall enter the unit cabinet at a single location through either the side or bottom, without any field modifications. An integrated control board shall provide timed control of evaporator fan functioning and burner ignition. Heating section shall be provided with the following minimum protection:

- a. Primary and auxiliary high-temperature limit switches.
- b. Induced draft pressure sensor.
- c. Flame roll out switch (manual reset).
- d. Flame proving controls.

Physical Data

DNZ Single Stage Physical Data

| Component | Models | | | | | | | | | | | | | | |
|-------------------------------------|----------------------|-------|-----------------|-------|-----------------|-------|-----------------|-------|-----------------|-------|-----------------|-------|--------|-------|------|
| | DNZ024 | | DNZ030 | | DNZ036 | | DNZ042 | | DNZ048 | | DNZ060 | | | | |
| Nominal Tonnage | 2.0 | | 2.5 | | 3.0 | | 3.5 | | 4.0 | | 5.0 | | | | |
| AHRI COOLING PERFORMANCE | | | | | | | | | | | | | | | |
| Gross Capacity @ AHRI A point (MBH) | 24.7 | | 30.8 | | 35.6 | | 43.0 | | 48.8 | | 59.5 | | | | |
| AHRI net capacity (MBH) | 24.0 | | 30.0 | | 34.2 | | 41.5 | | 46.0 | | 56.0 | | | | |
| EER | 11.6 | | 11.5 | | 11.1 | | 11.6 | | 11.00 | | 11.00 | | | | |
| SEER | 13.2 | | 13.2 | | 13.2 | | 13.4 | | 13.0 | | 13.0 | | | | |
| Nominal CFM | 850 | | 940 | | 1200 | | 1300 | | 1550 | | 1600 | | | | |
| System power (KW) | 2.1 | | 2.7 | | 3.2 | | 3.6 | | 4.2 | | 5.1 | | | | |
| Refrigerant type | R-410A | | R-410A | | R-410A | | R-410A | | R410A | | R410A | | | | |
| Refrigerant charge (lb-oz) | 3-10 | | 4-0 | | 4-0 | | 4-14 | | 4-8 | | 5-2 | | | | |
| AHRI HEATING PERFORMANCE | | | | | | | | | | | | | | | |
| Heating model | N036 | N056 | N036 | N056 | N036 | N056 | N072 | N065 | N090 | N065 | N090 | N110 | N065 | N090 | N110 |
| Heat input (K Btu) | 45 | 70 | 45 | 70 | 45 | 70 | 90 | 80 | 108 | 80 | 108 | 135 | 80 | 108 | 135 |
| Heat output (K Btu) | 36 | 56 | 36 | 56 | 36 | 56 | 72 | 64 | 87 | 64 | 87 | 107 | 64 | 87 | 107 |
| AFUE ¹ | 80.0 | 80.0 | 80.0 | 80.0 | 80.0 | 80.0 | 80.0 | 80.0 | 80.0 | 80.0 | 80.0 | 80.0 | 80.0 | 80.0 | 80.0 |
| Steady state efficiency (%) | 80 | 80 | 80 | 80 | 80 | 80 | 80 | 80 | 80 | 80 | 80 | 80 | 80 | 80 | 80 |
| No. burners | 2 | 3 | 2 | 3 | 2 | 3 | 4 | 3 | 4 | 3 | 4 | 5 | 3 | 4 | 5 |
| No. stages | 1 | 1 | 1 | 1 | 1 | 1 | 1 | 1 | 1 | 1 | 1 | 1 | 1 | 1 | 1 |
| Temperature Rise Range (°F) | 25-55 | 30-60 | 25-55 | 30-60 | 25-55 | 30-60 | 25-55 | 30-60 | 25-55 | 35-65 | 45-75 | 25-55 | 35-65 | 45-75 | |
| Gas Limit Setting (°F) | 140 | 160 | 140 | 160 | 140 | 160 | 160 | 150 | 175 | 150 | 175 | 160 | 150 | 175 | 160 |
| Gas piping connection (in.) | 1/2 | | 1/2 | | 1/2 | | 1/2 | | 1/2 | | 1/2 | | 1/2 | | |
| DIMENSIONS (inches) | | | | | | | | | | | | | | | |
| Length | 49 1/8 | | 49 1/8 | | 49 1/8 | | 49 1/8 | | 49 1/8 | | 49 1/8 | | 49 1/8 | | |
| Width | 47 1/4 | | 47 1/4 | | 47 1/4 | | 47 1/4 | | 47 1/4 | | 47 1/4 | | 47 1/4 | | |
| Height | 33 1/2 | | 33 1/2 | | 33 1/2 | | 41 1/2 | | 41 1/2 | | 41 1/2 | | 41 1/2 | | |
| OPERATING WT. (lbs.) | | | | | | | | | | | | | | | |
| Unit Weight (lbs.) | 378 | | 398 | | 402 | | 460 | | 465 | | 480 | | | | |
| COMPRESSOR | | | | | | | | | | | | | | | |
| Type | Recip 1-spd | | Recip 1-spd | | Recip 1-spd | | Recip 1-spd | | Scroll 1-spd | | Scroll 1-spd | | | | |
| CONDENSER COIL DATA | | | | | | | | | | | | | | | |
| Face area (Sq. Ft.) | 11.9 | | 11.9 | | 11.9 | | 15 | | 15 | | 15 | | | | |
| Rows | 1 | | 1 | | 1 | | 1 | | 1 | | 1 | | | | |
| Fins per inch | 23 | | 23 | | 23 | | 23 | | 23 | | 23 | | | | |
| Tube diameter (in.) | 0.71 / 18 | | 0.71 / 18 | | 0.71 / 18 | | 0.71 / 18 | | 0.71 / 18 | | 0.71 / 18 | | | | |
| Circuitry Type | 2-pass Micro-Channel | | | | | | | | | | | | | | |
| EVAPORATOR COIL DATA | | | | | | | | | | | | | | | |
| Face area (Sq. Ft.) | 3.4 | | 3.4 | | 3.4 | | 4.4 | | 4.4 | | 4.4 | | | | |
| Rows | 2 | | 3 | | 3 | | 3 | | 3 | | 4 | | | | |
| Fins per inch | 15 | | 13 | | 13 | | 16 | | 16 | | 13 | | | | |
| Tube diameter | 3/8 | | 3/8 | | 3/8 | | 3/8 | | 3/8 | | 3/8 | | | | |
| Circuitry Type | Interlaced | | Interlaced | | Interlaced | | Interlaced | | Interlaced | | Interlaced | | | | |
| Refrigerant control | Orifice | | Orifice | | Orifice | | Orifice | | TXV | | TXV | | | | |
| CONDENSER FAN DATA | | | | | | | | | | | | | | | |
| Fan diameter (Inch) | 22 | | 22 | | 22 | | 22 | | 22 | | 22 | | | | |
| Type | Prop | | Prop | | Prop | | Prop | | Prop | | Prop | | | | |
| Drive type | Direct | | Direct | | Direct | | Direct | | Direct | | Direct | | | | |
| No. speeds | 1 | | 1 | | 1 | | 1 | | 1 | | 1 | | | | |
| Motor HP | 1/4 | | 1/4 | | 1/4 | | 1/3 | | 1/3 | | 1/2 | | | | |
| RPM | 1100 | | 1100 | | 1100 | | 1120 | | 1120 | | 1090 | | | | |
| Nominal total CFM | 2400 | | 2400 | | 2400 | | 3200 | | 3200 | | 3200 | | | | |
| DIRECT DRIVE EVAP FAN DATA | | | | | | | | | | | | | | | |
| Fan Size (Inch) | 10 x 8 | | 10 x 8 | | 11 x 10 | | 11 x 10 | | 11 x 10 | | 11 x 10 | | | | |
| Type | Centrifugal | | Centrifugal | | Centrifugal | | Centrifugal | | Centrifugal | | Centrifugal | | | | |
| Motor HP | 1/2 | | 3/4 | | 3/4 | | 3/4 | | 1 | | 1 | | | | |
| RPM | Variable | | Variable | | Variable | | Variable | | Variable | | Variable | | | | |
| Frame size | 48 | | 48 | | 48 | | 48 | | 48 | | 48 | | | | |
| FILTERS | | | | | | | | | | | | | | | |
| Quantity - Size | 1 - 20 x 20 x 1 | | 1 - 20 x 20 x 1 | | 1 - 20 x 20 x 1 | | 2 - 20 x 12 x 1 | | 2 - 20 x 12 x 1 | | 2 - 20 x 12 x 1 | | | | |

1. 208/230 volt single phase only.

DNZ Two Stage Physical Data

| Component | Models | | | | | | | | |
|-------------------------------------|----------------------|-----------------|-----------------|-----------------|-----------------|-----------------|-----------------|-----------------|-----------------|
| | DNZ024 | DNZ030 | DNZ036 | DNZ042 | DNZ048 | DNZ060 | | | |
| Nominal Tonnage | 2.0 | 2.5 | 3.0 | 3.5 | 4.0 | 5.0 | | | |
| AHRI COOLING PERFORMANCE | | | | | | | | | |
| Gross Capacity @ AHRI A point (MBH) | 24.7 | 30.8 | 35.6 | 43.0 | 48.8 | 59.5 | | | |
| AHRI net capacity (MBH) | 24.0 | 30.0 | 34.2 | 41.5 | 46.0 | 56.0 | | | |
| EER | 11.6 | 11.5 | 11.1 | 11.6 | 11.00 | 11.00 | | | |
| SEER | 13.2 | 13.2 | 13.2 | 13.4 | 13.0 | 13.0 | | | |
| Nominal CFM | 850 | 940 | 1200 | 1300 | 1550 | 1600 | | | |
| System power (KW) | 2.1 | 2.7 | 3.2 | 3.6 | 4.2 | 5.1 | | | |
| Refrigerant type | R-410A | R-410A | R-410A | R-410A | R410A | R410A | | | |
| Refrigerant charge (lb-oz) | 3-10 | 4-0 | 4-0 | 4-14 | 4-8 | 5-2 | | | |
| AHRI HEATING PERFORMANCE | | | | | | | | | |
| Heating model | D056 | D056 | D056 | D072 | D090 | D090 | D110 | D090 | D110 |
| Heat input (K Btu) | 70/45.5 | 70/45.5 | 70/45.5 | 90/58.5 | 108/70.2 | 108/70.2 | 135/87.8 | 108/70.2 | 135/87.8 |
| Heat output (K Btu) | 56/36.4 | 56/36.4 | 56/36.4 | 72/46.8 | 87/56.2 | 87/56.2 | 108/70.2 | 87/56.2 | 108/70.2 |
| AFUE ¹ | 80.0 | 80.0 | 80.0 | 80.0 | 80.0 | 80.0 | 80.0 | 80.0 | 80.0 |
| Steady state efficiency (%) | 80 | 80 | 80 | 80 | 80 | 80 | 80 | 80 | 80 |
| No. burners | 3 | 3 | 3 | 4 | 4 | 4 | 5 | 4 | 5 |
| No. stages | 2 | 2 | 2 | 2 | 2 | 2 | 2 | 2 | 2 |
| Temperature Rise Range (°F) | 30-60 | 30-60 | 25-55 | 30-60 | 45-75 | 35-65 | 45-75 | 35-65 | 45-75 |
| Gas Limit Setting (°F) | 160 | 160 | 160 | 160 | 175 | 175 | 170 | 175 | 170 |
| Gas piping connection (in.) | 1/2 | 1/2 | 1/2 | 1/2 | 1/2 | 1/2 | 1/2 | 1/2 | 1/2 |
| DIMENSIONS (inches) | | | | | | | | | |
| Length | 49 1/8 | 49 1/8 | 49 1/8 | 49 1/8 | 49 1/8 | 49 1/8 | 49 1/8 | 49 1/8 | 49 1/8 |
| Width | 47 1/4 | 47 1/4 | 47 1/4 | 47 1/4 | 47 1/4 | 47 1/4 | 47 1/4 | 47 1/4 | 47 1/4 |
| Height | 33 1/2 | 33 1/2 | 33 1/2 | 33 1/2 | 41 1/2 | 41 1/2 | 41 1/2 | 41 1/2 | 41 1/2 |
| OPERATING WT. (lbs.) | | | | | | | | | |
| Unit Weight (lbs.) | 378 | 398 | 402 | 460 | 465 | 480 | 465 | 480 | 480 |
| COMPRESSOR | | | | | | | | | |
| Type | Recip 1-spd | Recip 1-spd | Recip 1-spd | Recip 1-spd | Scroll 1-spd | Scroll 1-spd | Scroll 1-spd | Scroll 1-spd | Scroll 1-spd |
| CONDENSER COIL DATA | | | | | | | | | |
| Face area (Sq. Ft.) | 11.9 | 11.9 | 11.9 | 15 | 15 | 15 | 15 | 15 | 15 |
| Rows | 1 | 1 | 1 | 1 | 1 | 1 | 1 | 1 | 1 |
| Fins per inch | 23 | 23 | 23 | 23 | 23 | 23 | 23 | 23 | 23 |
| Tube diameter (in.) | 0.71 / 18 | 0.71 / 18 | 0.71 / 18 | 0.71 / 18 | 0.71 / 18 | 0.71 / 18 | 0.71 / 18 | 0.71 / 18 | 0.71 / 18 |
| Circuitry Type | 2-pass Micro-Channel | | | | | | | | |
| EVAPORATOR COIL DATA | | | | | | | | | |
| Face area (Sq. Ft.) | 3.4 | 3.4 | 3.4 | 4.4 | 4.4 | 4.4 | 4.4 | 4.4 | 4.4 |
| Rows | 2 | 3 | 3 | 3 | 3 | 3 | 3 | 3 | 4 |
| Fins per inch | 15 | 13 | 13 | 16 | 16 | 16 | 16 | 16 | 13 |
| Tube diameter | 3/8 | 3/8 | 3/8 | 3/8 | 3/8 | 3/8 | 3/8 | 3/8 | 3/8 |
| Circuitry Type | Interlaced | Interlaced | Interlaced | Interlaced | Interlaced | Interlaced | Interlaced | Interlaced | Interlaced |
| Refrigerant control | Orifice | Orifice | Orifice | Orifice | Orifice | TXV | TXV | TXV | TXV |
| CONDENSER FAN DATA | | | | | | | | | |
| Fan diameter (Inch) | 22 | 22 | 22 | 22 | 22 | 22 | 22 | 22 | 22 |
| Type | Prop | Prop | Prop | Prop | Prop | Prop | Prop | Prop | Prop |
| Drive type | Direct | Direct | Direct | Direct | Direct | Direct | Direct | Direct | Direct |
| No. speeds | 1 | 1 | 1 | 1 | 1 | 1 | 1 | 1 | 1 |
| Motor HP | 1/4 | 1/4 | 1/4 | 1/3 | 1/3 | 1/3 | 1/3 | 1/3 | 1/2 |
| RPM | 1100 | 1100 | 1100 | 1100 | 1100 | 1100 | 1100 | 1100 | 1090 |
| Nominal total CFM | 2400 | 2400 | 2400 | 3200 | 3200 | 3200 | 3200 | 3200 | 3200 |
| DIRECT DRIVE EVAP FAN DATA | | | | | | | | | |
| Fan Size (Inch) | 10 x 8 | 10 x 8 | 11 x 10 | 11 x 10 | 11 x 10 | 11 x 10 | 11 x 10 | 11 x 10 | 11 x 10 |
| Type | Centrifugal | Centrifugal | Centrifugal | Centrifugal | Centrifugal | Centrifugal | Centrifugal | Centrifugal | Centrifugal |
| Motor HP | 1/2 | 3/4 | 3/4 | 3/4 | 3/4 | 1 | 1 | 1 | 1 |
| RPM | Variable | Variable | Variable | Variable | Variable | Variable | Variable | Variable | Variable |
| Frame size | 48 | 48 | 48 | 48 | 48 | 48 | 48 | 48 | 48 |
| FILTERS | | | | | | | | | |
| Quantity - Size | 1 - 20 x 20 x 1 | 1 - 20 x 20 x 1 | 1 - 20 x 20 x 1 | 2 - 20 x 12 x 1 | 2 - 20 x 12 x 1 | 2 - 20 x 12 x 1 | 2 - 20 x 12 x 1 | 2 - 20 x 12 x 1 | 2 - 20 x 12 x 1 |

1. 208/230 volt single phase only.

DNQ Single Stage Physical Data

| Component | Models | | | | | | | | | | | | | | |
|-------------------------------------|----------------------|-------|-----------------|-------|-----------------|-------|-----------------|-------|-----------------|-------|-----------------|-------|--------|-------|-------|
| | DNQ024 | | DNQ030 | | DNQ036 | | DNQ042 | | DNQ048 | | DNQ060 | | | | |
| Nominal Tonnage | 2.0 | | 2.5 | | 3.0 | | 3.5 | | 4.0 | | 5.0 | | | | |
| AHRI COOLING PERFORMANCE | | | | | | | | | | | | | | | |
| Gross Capacity @ AHRI A point (MBH) | 24.0 | | 29.8 | | 35.7 | | 41.5 | | 49.6 | | 56.8* | | | | |
| AHRI net capacity (MBH) | 23.6 | | 29.0 | | 34.4 | | 40.0 | | 48.0 | | 55.0* | | | | |
| EER | 12.0 | | 12.0 | | 12.0 | | 12.0 | | 12.0 | | 12.0* | | | | |
| SEER | 14.0 | | 14.0 | | 14.0 | | 14.0 | | 14.0 | | 14.0* | | | | |
| Nominal CFM | 800 | | 900 | | 1100 | | 1400 | | 1500 | | 1550 | | | | |
| System power (KW) | 2.0 | | 2.4 | | 2.9 | | 3.3 | | 4.0 | | 4.6 | | | | |
| Refrigerant type | R-410A | | R-410A | | R-410A | | R410A | | R-410A | | R-410A | | | | |
| Refrigerant charge (lb-oz) | 3-8 | | 3-2 | | 3-10 | | 4-9 | | 4-6 | | 5-15 | | | | |
| AHRI HEATING PERFORMANCE | | | | | | | | | | | | | | | |
| Heating model | N036 | N056 | N036 | N056 | N036 | N056 | N072 | N065 | N090 | N065 | N090 | N110 | N065 | N090 | N110 |
| Heat input (K Btu) | 45 | 70 | 45 | 70 | 45 | 70 | 90 | 80 | 108 | 80 | 108 | 135 | 80 | 108 | 135 |
| Heat output (K Btu) | 36 | 56 | 36 | 56 | 36 | 56 | 72 | 64 | 87 | 64 | 87 | 107 | 64 | 87 | 107 |
| AFUE ¹ | 81.0 | 81.0 | 81.0 | 81.0 | 81.0 | 81.0 | 81.0 | 81.0 | 81.0 | 81.0 | 81.0 | 81.0 | 81.0 | 81.0 | 81.0 |
| Steady state efficiency (%) | 80 | 80 | 80 | 80 | 80 | 80 | 80 | 80 | 80 | 80 | 80 | 80 | 80 | 80 | 80 |
| No. burners | 2 | 3 | 2 | 3 | 2 | 3 | 4 | 3 | 4 | 3 | 4 | 5 | 3 | 4 | 5 |
| No. stages | 1 | 1 | 1 | 1 | 1 | 1 | 1 | 1 | 1 | 1 | 1 | 1 | 1 | 1 | 1 |
| Temperature Rise Range (°F) | 25-55 | 30-60 | 25-55 | 30-60 | 25-55 | 25-55 | 30-60 | 25-55 | 45-75 | 25-55 | 35-65 | 45-75 | 25-55 | 35-65 | 45-75 |
| Max. Outlet Air Temp. (°F) | 165 | 175 | 165 | 175 | 165 | 175 | 175 | 175 | 175 | 175 | 175 | 175 | 175 | 175 | 175 |
| Gas Limit Setting (°F) | 140 | 160 | 140 | 160 | 140 | 160 | 160 | 140 | 160 | 150 | 175 | 160 | 150 | 175 | 160 |
| Gas piping connection (in.) | 1/2 | | 1/2 | | 1/2 | | 1/2 | | 1/2 | | 1/2 | | 1/2 | | |
| DIMENSIONS (inches) | | | | | | | | | | | | | | | |
| Length | 49 1/8 | | 49 1/8 | | 49 1/8 | | 49 1/8 | | 49 1/8 | | 49 1/8 | | 49 1/8 | | |
| Width | 47 1/4 | | 47 1/4 | | 47 1/4 | | 47 1/4 | | 47 1/4 | | 47 1/4 | | 47 1/4 | | |
| Height | 33 1/2 | | 33 1/2 | | 33 1/2 | | 41 1/2 | | 41 1/2 | | 41 1/2 | | 41 1/2 | | |
| OPERATING WT. (lbs.) | | | | | | | | | | | | | | | |
| Unit Weight (lbs.) | 390 | | 425 | | 430 | | 485 | | 490 | | 530 | | | | |
| COMPRESSOR | | | | | | | | | | | | | | | |
| Type | Recip 1-spd | | Scroll 1-spd | | Scroll 1-spd | | Scroll 1-spd | | Scroll 1-spd | | Scroll 1-spd | | | | |
| CONDENSER COIL DATA | | | | | | | | | | | | | | | |
| Face area (Sq. Ft.) | 7.9 | | 11.9 | | 11.9 | | 15 | | 15 | | 15 | | | | |
| Rows | 1 | | 1 | | 1 | | 1 | | 1 | | 1 | | | | |
| Fins per inch | 23 | | 23 | | 23 | | 23 | | 23 | | 23 | | | | |
| Tube diameter (in.) | 0.71 / 18 | | 0.71 / 18 | | 0.71 / 18 | | 0.71 / 18 | | 0.71 / 18 | | 0.98 / 25 | | | | |
| Circuitry Type | 2-pass Micro-Channel | | | | | | | | | | | | | | |
| EVAPORATOR COIL DATA | | | | | | | | | | | | | | | |
| Face area (Sq. Ft.) | 3.4 | | 3.4 | | 3.4 | | 4.4 | | 4.4 | | 4.4 | | | | |
| Rows | 2 | | 3 | | 3 | | 3 | | 3 | | 4 | | | | |
| Fins per inch | 15 | | 13 | | 13 | | 16 | | 16 | | 13 | | | | |
| Tube diameter | 3/8 | | 3/8 | | 3/8 | | 3/8 | | 3/8 | | 3/8 | | | | |
| Circuitry Type | Interlaced | | Interlaced | | Interlaced | | Interlaced | | Interlaced | | Interlaced | | | | |
| Refrigerant control | TXV | | TXV | | TXV | | TXV | | TXV | | TXV | | | | |
| CONDENSER FAN DATA | | | | | | | | | | | | | | | |
| Fan diameter (Inch) | 22 | | 22 | | 22 | | 22 | | 22 | | 22 | | | | |
| Type | Prop | | Prop | | Prop | | Prop | | Prop | | Prop | | | | |
| Drive type | Direct | | Direct | | Direct | | Direct | | Direct | | Direct | | | | |
| No. speeds | 1 | | 1 | | 1 | | 1 | | 1 | | 1 | | | | |
| Motor HP | 1/4 | | 1/4 | | 1/4 | | 1/3 | | 1/3 | | 1/3 | | | | |
| RPM | 1100 | | 1100 | | 1100 | | 1100 | | 1100 | | 1100 | | | | |
| Nominal total CFM | 2400 | | 2400 | | 2400 | | 3200 | | 3200 | | 3200 | | | | |
| DIRECT DRIVE EVAP FAN DATA | | | | | | | | | | | | | | | |
| Fan Size (Inch) | 10 x 8 | | 10 x 8 | | 11 x 10 | | 12 x 11 | | 12 x 11 | | 12 x 11 | | | | |
| Type | Centrifugal | | Centrifugal | | Centrifugal | | Centrifugal | | Centrifugal | | Centrifugal | | | | |
| Motor HP | 1/2 | | 3/4 | | 3/4 | | 3/4 | | 1 | | 1 | | | | |
| RPM | Variable | | Variable | | Variable | | Variable | | Variable | | Variable | | | | |
| Frame size | 48 | | 48 | | 48 | | 48 | | 48 | | 48 | | | | |
| FILTERS | | | | | | | | | | | | | | | |
| Quantity - Size | 1 - 20 x 20 x 1 | | 1 - 20 x 20 x 1 | | 1 - 20 x 20 x 1 | | 2 - 20 x 12 x 1 | | 2 - 20 x 12 x 1 | | 2 - 20 x 12 x 1 | | | | |

1. 208/230 volt single phase only.

DNQ Two Stage Physical Data

| Component | Models | | | | | | | | |
|-------------------------------------|----------------------|-----------------|-----------------|-----------------|-----------------|-----------------|-----------------|-----------------|-----------------|
| | DNQ024 | DNQ030 | DNQ036 | DNQ042 | DNQ048 | DNQ060 | | | |
| Nominal Tonnage | 2.0 | 2.5 | 3.0 | 3.5 | 4.0 | 5.0 | | | |
| AHRI COOLING PERFORMANCE | | | | | | | | | |
| Gross Capacity @ AHRI A point (MBH) | 24.0 | 29.8 | 35.7 | 41.5 | 49.6 | 56.8* | | | |
| AHRI net capacity (MBH) | 23.6 | 29.0 | 34.4 | 40.0 | 48.0 | 55.0* | | | |
| EER | 12.0 | 12.0 | 12.0 | 12.0 | 12.0 | 12.0* | | | |
| SEER | 14.0 | 14.0 | 14.0 | 14.0 | 14.0 | 14.0* | | | |
| Nominal CFM | 800 | 900 | 1100 | 1400 | 1500 | 1550 | | | |
| System power (KW) | 2.0 | 2.4 | 2.9 | 3.3 | 4.0 | 4.6 | | | |
| Refrigerant type | R-410A | R-410A | R-410A | R410A | R-410A | R-410A | | | |
| Refrigerant charge (lb-oz) | 3-8 | 3-2 | 3-10 | 4-9 | 4-6 | 5-15 | | | |
| AHRI HEATING PERFORMANCE | | | | | | | | | |
| Heating model | D056 | D056 | D056 | D072 | D090 | D090 | D110 | D090 | D110 |
| Heat input (K Btu) | 70/45.5 | 70/45.5 | 70/45.5 | 90/58.5 | 108/70.2 | 108/70.2 | 135/87.8 | 108/70.2 | 135/87.8 |
| Heat output (K Btu) | 56/36.4 | 56/36.4 | 56/36.4 | 72/46.8 | 87/56.2 | 87/56.2 | 108/70.2 | 87/56.2 | 108/70.2 |
| AFUE ¹ | 81.0 | 81.0 | 81.0 | 81.0 | 81.0 | 81.0 | 81.0 | 81.0 | 81.0 |
| Steady state efficiency (%) | 80 | 80 | 80 | 80 | 80 | 80 | 80 | 80 | 80 |
| No. burners | 3 | 3 | 3 | 4 | 4 | 4 | 5 | 4 | 5 |
| No. stages | 2 | 2 | 2 | 2 | 2 | 2 | 2 | 2 | 2 |
| Temperature Rise Range (°F) | 30-60 | 30-60 | 25-55 | 30-60 | 45-75 | 35-65 | 45-75 | 35-65 | 45-75 |
| Max. Outlet Air Temp. (°F) | 175 | 175 | 175 | 175 | 175 | 175 | 175 | 175 | 175 |
| Gas Limit Setting (°F) | 160 | 160 | 160 | 160 | 175 | 175 | 170 | 175 | 170 |
| Gas piping connection (in.) | 1/2 | 1/2 | 1/2 | 1/2 | 1/2 | 1/2 | 1/2 | 1/2 | 1/2 |
| DIMENSIONS (inches) | | | | | | | | | |
| Length | 49 1/8 | 49 1/8 | 49 1/8 | 49 1/8 | 49 1/8 | 49 1/8 | 49 1/8 | 49 1/8 | 49 1/8 |
| Width | 47 1/4 | 47 1/4 | 47 1/4 | 47 1/4 | 47 1/4 | 47 1/4 | 47 1/4 | 47 1/4 | 47 1/4 |
| Height | 33 1/2 | 33 1/2 | 33 1/2 | 33 1/2 | 41 1/2 | 41 1/2 | 41 1/2 | 41 1/2 | 41 1/2 |
| OPERATING WT. (lbs.) | | | | | | | | | |
| Unit Weight (lbs.) | 390 | 425 | 430 | 485 | 490 | 490 | 530 | 530 | 530 |
| COMPRESSOR | | | | | | | | | |
| Type | Recip 1-spd | Scroll 1-spd | Scroll 1-spd | Scroll 1-spd | Scroll 1-spd | Scroll 1-spd | Scroll 1-spd | Scroll 1-spd | Scroll 1-spd |
| CONDENSER COIL DATA | | | | | | | | | |
| Face area (Sq. Ft.) | 7.9 | 11.9 | 11.9 | 15 | 15 | 15 | 15 | 15 | 15 |
| Rows | 1 | 1 | 1 | 1 | 1 | 1 | 1 | 1 | 1 |
| Fins per inch | 23 | 23 | 23 | 23 | 23 | 23 | 23 | 23 | 23 |
| Tube diameter (in.) | 0.71 / 18 | 0.71 / 18 | 0.71 / 18 | 0.71 / 18 | 0.71 / 18 | 0.71 / 18 | 0.71 / 18 | 0.98 / 25 | 0.98 / 25 |
| Circuitry Type | 2-pass Micro-Channel | | | | | | | | |
| EVAPORATOR COIL DATA | | | | | | | | | |
| Face area (Sq. Ft.) | 3.4 | 3.4 | 3.4 | 4.4 | 4.4 | 4.4 | 4.4 | 4.4 | 4.4 |
| Rows | 2 | 3 | 3 | 3 | 3 | 3 | 3 | 3 | 4 |
| Fins per inch | 15 | 13 | 13 | 16 | 16 | 16 | 16 | 16 | 13 |
| Tube diameter | 3/8 | 3/8 | 3/8 | 3/8 | 3/8 | 3/8 | 3/8 | 3/8 | 3/8 |
| Circuitry Type | Interlaced | Interlaced | Interlaced | Interlaced | Interlaced | Interlaced | Interlaced | Interlaced | Interlaced |
| Refrigerant control | TXV | TXV | TXV | TXV | TXV | TXV | TXV | TXV | TXV |
| CONDENSER FAN DATA | | | | | | | | | |
| Fan diameter (Inch) | 22 | 22 | 22 | 22 | 22 | 22 | 22 | 22 | 22 |
| Type | Prop | Prop | Prop | Prop | Prop | Prop | Prop | Prop | Prop |
| Drive type | Direct | Direct | Direct | Direct | Direct | Direct | Direct | Direct | Direct |
| No. speeds | 1 | 1 | 1 | 1 | 1 | 1 | 1 | 1 | 1 |
| Motor HP | 1/4 | 1/4 | 1/4 | 1/4 | 1/3 | 1/3 | 1/3 | 1/3 | 1/3 |
| RPM | 1100 | 1100 | 1100 | 1100 | 1100 | 1100 | 1100 | 1100 | 1100 |
| Nominal total CFM | 2400 | 2400 | 2400 | 3200 | 3200 | 3200 | 3200 | 3200 | 3200 |
| DIRECT DRIVE EVAP FAN DATA | | | | | | | | | |
| Fan Size (Inch) | 10 x 8 | 10 x 8 | 11 x 10 | 12 x 11 | 12 x 11 | 12 x 11 | 12 x 11 | 12 x 11 | 12 x 11 |
| Type | Centrifugal | Centrifugal | Centrifugal | Centrifugal | Centrifugal | Centrifugal | Centrifugal | Centrifugal | Centrifugal |
| Motor HP | 1/2 | 3/4 | 3/4 | 3/4 | 3/4 | 1 | 1 | 1 | 1 |
| RPM | Variable | Variable | Variable | Variable | Variable | Variable | Variable | Variable | Variable |
| Frame size | 48 | 48 | 48 | 48 | 48 | 48 | 48 | 48 | 48 |
| FILTERS | | | | | | | | | |
| Quantity - Size | 1 - 20 x 20 x 1 | 1 - 20 x 20 x 1 | 1 - 20 x 20 x 1 | 2 - 20 x 12 x 1 | 2 - 20 x 12 x 1 | 2 - 20 x 12 x 1 | 2 - 20 x 12 x 1 | 2 - 20 x 12 x 1 | 2 - 20 x 12 x 1 |

1. 208/230 volt single phase only.

DNX Single Stage Gas Heat

| Component | Models | | | | | | |
|-------------------------------------|-----------------|-------|-----------------|-------|-----------------|-------|-------|
| | DNX024 | | DNX036 | | DNX048 | | |
| Nominal Tonnage | 2.0 | | 3.0 | | 4.0 | | |
| AHRI COOLING PERFORMANCE | | | | | | | |
| Gross Capacity @ AHRI A point (MBH) | 24.6 | | 38.4 | | 50.0 | | |
| AHRI net capacity (MBH) | 24.0 | | 37.0 | | 48.0 | | |
| EER | 11.5 | | 12.3 | | 11.2 | | |
| SEER | 15.0 | | 16.5 | | 15.0 | | |
| Nominal CFM | 800 | | 1275 | | 1550 | | |
| System power (KW) | 2.1 | | 3.0 | | 4.3 | | |
| Refrigerant type | R-410A | | R-410A | | R-410A | | |
| Refrigerant charge (lb-oz) | 7-8 | | 9-12 | | 9-8 | | |
| AHRI HEATING PERFORMANCE | | | | | | | |
| Heating model | N036 | N056 | N065 | N090 | N065 | N090 | N110 |
| Heat input (K Btu) | 45 | 70 | 80 | 108 | 80 | 108 | 135 |
| Heat output (K Btu) | 36 | 56 | 64 | 87 | 64 | 87 | 108 |
| AFUE ¹ | 81.0 | 81.0 | 81.0 | 81.0 | 81.0 | 81.0 | 81.0 |
| Steady state efficiency (%) | 80 | 80 | 80 | 80 | 80 | 80 | 80 |
| No. burners | 2 | 3 | 3 | 4 | 3 | 4 | 5 |
| No. stages | 1 | 1 | 1 | 1 | 1 | 1 | 1 |
| Temperature Rise Range (°F) | 25-55 | 30-60 | 25-55 | 45-75 | 25-55 | 35-65 | 45-75 |
| Max. Outlet Air Temp. (°F) | 165 | 175 | 165 | 175 | 165 | 175 | 175 |
| Gas Limit Setting (°F) | 140 | 160 | 140 | 160 | 150 | 170 | 160 |
| Gas piping connection (in.) | 1/2 | | 1/2 | | 1/2 | | |
| DIMENSIONS (inches) | | | | | | | |
| Length | 49 1/8 | | 49 1/8 | | 49 1/8 | | |
| Width | 47 1/4 | | 47 1/4 | | 47 1/4 | | |
| Height | 33 1/2 | | 41 1/2 | | 41 1/2 | | |
| OPERATING WT. (lbs.) | | | | | | | |
| Unit Weight (lbs.) | 440 | | 480 | | 500 | | |
| COMPRESSOR | | | | | | | |
| Type | Scroll 2-spd | | Scroll 2-spd | | Scroll 2-spd | | |
| CONDENSER COIL DATA | | | | | | | |
| Face area (Sq. Ft.) | 11.7 | | 14.7 | | 14.7 | | |
| Rows | 2 | | 2 | | 2 | | |
| Fins per inch | 20 | | 20 | | 20 | | |
| Tube diameter (in.) | 3/8 | | 3/8 | | 3/8 | | |
| Circuitry Type | Interlaced | | Interlaced | | Interlaced | | |
| EVAPORATOR COIL DATA | | | | | | | |
| Face area (Sq. Ft.) | 3.4 | | 4.4 | | 4.4 | | |
| Rows | 2 | | 3 | | 3 | | |
| Fins per inch | 15 | | 16 | | 16 | | |
| Tube diameter | 3/8 | | 3/8 | | 3/8 | | |
| Circuitry Type | Interlaced | | Interlaced | | Interlaced | | |
| Refrigerant control | TXV | | TXV | | TXV | | |
| CONDENSER FAN DATA | | | | | | | |
| Fan diameter (Inch) | 22 | | 22 | | 22 | | |
| Type | Prop | | Prop | | Prop | | |
| Drive type | Direct | | Direct | | Direct | | |
| No. speeds | 1 | | 2 | | 2 | | |
| Motor HP | 1/4 | | 1/3 | | 1/3 | | |
| RPM | 1100 | | 900/1100 | | 900/1100 | | |
| Nominal total CFM | 2400 | | 2400 | | 3000 | | |
| DIRECT DRIVE EVAP FAN DATA | | | | | | | |
| Fan Size (Inch) | 10 x 8 | | 11 x 10 | | 11 x 10 | | |
| Type | Centrifugal | | Centrifugal | | Centrifugal | | |
| Motor HP | 1/2 | | 1 | | 1 | | |
| RPM | Variable | | Variable | | Variable | | |
| Frame size | 48 | | 48 | | 48 | | |
| FILTERS | | | | | | | |
| Quantity - Size | 1 - 20 x 20 x 1 | | 2 - 20 x 12 x 1 | | 2 - 20 x 12 x 1 | | |

1. 208/230 volt single phase only.

DNX Two Stage Gas Heat

| Component | Models | | | |
|-------------------------------------|-----------------|-----------------|-----------------|----------|
| | DNX024 | DNX036 | DNX048 | |
| Nominal Tonnage | 2.0 | 3.0 | 4.0 | |
| AHRI COOLING PERFORMANCE | | | | |
| Gross Capacity @ AHRI A point (MBH) | 24.6 | 38.4 | 50.0 | |
| AHRI net capacity (MBH) | 24.0 | 37.0 | 48.0 | |
| EER | 11.5 | 12.3 | 11.2 | |
| SEER | 15.0 | 16.5 | 15.0 | |
| Nominal CFM | 800 | 1275 | 1550 | |
| System power (KW) | 2.1 | 3.0 | 4.3 | |
| Refrigerant type | R-410A | R-410A | R-410A | |
| Refrigerant charge (lb-oz) | 7-8 | 9-12 | 9-8 | |
| AHRI HEATING PERFORMANCE | | | | |
| Heating model | D056 | D090 | D090 | D110 |
| Heat input (K Btu) | 70/45.5 | 108/70.2 | 108/70.2 | 135/87.8 |
| Heat output (K Btu) | 56/36.4 | 87/56.2 | 87/56.2 | 108/70.2 |
| AFUE ¹ | 81.0 | 81.0 | 81.0 | 81.0 |
| Steady state efficiency (%) | 80 | 80 | 80 | 80 |
| No. burners | 3 | 4 | 4 | 5 |
| No. stages | 2 | 2 | 2 | 2 |
| Temperature Rise Range (°F) | 30-60 | 45-75 | 35-65 | 45-75 |
| Max. Outlet Air Temp (°F) | 175 | 175 | 175 | 175 |
| Gas Limit Setting (°F) | 160 | 175 | 170 | 160 |
| Gas piping connection (in.) | 1/2 | 1/2 | 1/2 | |
| DIMENSIONS (inches) | | | | |
| Length | 49 1/8 | 49 1/8 | 49 1/8 | |
| Width | 47 1/4 | 47 1/4 | 47 1/4 | |
| Height | 33 1/2 | 41 1/2 | 41 1/2 | |
| OPERATING WT. (lbs.) | | | | |
| Unit Weight (lbs.) | 440 | 480 | 500 | |
| COMPRESSOR | | | | |
| Type | Scroll 2-spd | Scroll 2-spd | Scroll 2-spd | |
| CONDENSER COIL DATA | | | | |
| Face area (Sq. Ft.) | 11.7 | 14.7 | 14.7 | |
| Rows | 2 | 2 | 2 | |
| Fins per inch | 20 | 20 | 20 | |
| Tube diameter (in.) | 3/8 | 3/8 | 3/8 | |
| Circuitry Type | Interlaced | Interlaced | Interlaced | |
| EVAPORATOR COIL DATA | | | | |
| Face area (Sq. Ft.) | 3.4 | 4.4 | 4.4 | |
| Rows | 2 | 3 | 3 | |
| Fins per inch | 15 | 16 | 16 | |
| Tube diameter | 3/8 | 3/8 | 3/8 | |
| Circuitry Type | Interlaced | Interlaced | Interlaced | |
| Refrigerant control | TXV | TXV | TXV | |
| CONDENSER FAN DATA | | | | |
| Fan diameter (Inch) | 22 | 22 | 22 | |
| Type | Prop | Prop | Prop | |
| Drive type | Direct | Direct | Direct | |
| No. speeds | 1 | 2 | 1 | |
| Motor HP | 1/4 | 1/3 | 1/3 | |
| RPM | 1100 | 900/1100 | 900/1100 | |
| Nominal total CFM | 2400 | 2400 | 3000 | |
| DIRECT DRIVE EVAP FAN DATA | | | | |
| Fan Size (Inch) | 10 x 8 | 11 x 10 | 11 x 10 | |
| Type | Centrifugal | Centrifugal | Centrifugal | |
| Motor HP | 1/2 | 1 | 1 | |
| RPM | Variable | Variable | Variable | |
| Frame size | 48 | 48 | 48 | |
| FILTERS | | | | |
| Quantity - Size | 1 - 20 x 20 x 1 | 2 - 20 x 12 x 1 | 2 - 20 x 12 x 1 | |

1. 208/230 volt single phase only.

DNZ Unit Limitations

| Model (Tons) | Unit Voltage | Unit Limitations | | |
|-----------------|--------------|------------------|-----|-----------------|
| | | Applied Voltage | | Outdoor DB Temp |
| | | Min | Max | Max (°F) |
| DNZ024 (2.0) | 208/230-1-60 | 187 | 252 | 125 |
| DNZ030 (2.5) | 208/230-1-60 | 187 | 252 | 125 |
| | 208/230-3-60 | 187 | 252 | 125 |
| | 460-3-60 | 432 | 504 | 125 |
| DNZ036 (3.0) | 208/230-1-60 | 187 | 252 | 125 |
| | 208/230-3-60 | 187 | 252 | 125 |
| | 460-3-60 | 432 | 504 | 125 |
| DNZ042 (3.5) | 208/230-1-60 | 187 | 252 | 125 |
| | 208/230-3-60 | 187 | 252 | 125 |
| | 460-3-60 | 432 | 504 | 125 |
| DNZ048 (4.0) | 208/230-1-60 | 187 | 252 | 115 |
| | 208/230-3-60 | 187 | 252 | 115 |
| | 460-3-60 | 432 | 504 | 115 |
| DNZ060 (5.0) | 208/230-1-60 | 187 | 252 | 115 |
| | 208/230-3-60 | 187 | 252 | 115 |
| | 460-3-60 | 432 | 504 | 115 |

DNQ Unit Limitations

| Model (Tons) | Unit Voltage | Unit Limitations | | |
|-----------------|--------------|------------------|-----|-----------------|
| | | Applied Voltage | | Outdoor DB Temp |
| | | Min | Max | Max (°F) |
| DNQ024 (2.0) | 208/230-1-60 | 187 | 252 | 125 |
| DNQ030 (2.5) | 208/230-1-60 | 187 | 252 | 115 |
| | 208/230-3-60 | 187 | 252 | 115 |
| | 460-3-60 | 432 | 504 | 115 |
| DNQ036 (3.0) | 208/230-1-60 | 187 | 252 | 115 |
| | 208/230-3-60 | 187 | 252 | 115 |
| | 460-3-60 | 432 | 504 | 115 |
| DNQ042 (3.5) | 208/230-1-60 | 187 | 252 | 125 |
| | 208/230-3-60 | 187 | 252 | 125 |
| | 460-3-60 | 432 | 504 | 125 |
| DNQ048 (4.0) | 208/230-1-60 | 187 | 252 | 115 |
| | 208/230-3-60 | 187 | 252 | 115 |
| | 460-3-60 | 432 | 504 | 115 |
| DNQ060 (5.0) | 208/230-1-60 | 187 | 252 | 125 |
| | 208/230-3-60 | 187 | 252 | 125 |
| | 460-3-60 | 432 | 504 | 125 |

DNX Unit Limitations

| Model (Tons) | Unit Voltage | Unit Limitations | | |
|-----------------|--------------|------------------|-----|-----------------|
| | | Applied Voltage | | Outdoor DB Temp |
| | | Min | Max | Max (°F) |
| DNX024 (2.0) | 208/230-1-60 | 187 | 252 | 115 |
| DNX036 (3.0) | 208/230-1-60 | 187 | 252 | 115 |
| | 208/230-3-60 | 187 | 252 | 115 |
| | 460-3-60 | 432 | 504 | 115 |
| DNX048 (4.0) | 208/230-1-60 | 187 | 252 | 115 |
| | 208/230-3-60 | 187 | 252 | 115 |
| | 460-3-60 | 432 | 504 | 115 |

Capacity Performance

DNZ024-060 Cooling Capacities

DNZ024 (2.0 Ton)

| Air on Evaporator Coil | | Temperature of Air on Condenser Coil | | | | | | | | | | | | | | | |
|------------------------|---------|--------------------------------------|-------------------------------|-------------------------|------|------|------|------|------|---------------------------------|-------------------------------|-------------------------|------|------|------|------|------|
| CFM | WB (°F) | Net Capacity ¹ (MBh) | Total Input (kW) ² | Sensible Capacity (MBh) | | | | | | Net Capacity ¹ (MBh) | Total Input (kW) ² | Sensible Capacity (MBh) | | | | | |
| | | | | Return Dry Bulb (°F) | | | | | | | | Return Dry Bulb (°F) | | | | | |
| | | | | 90 | 85 | 80 | 75 | 70 | 65 | | | 90 | 85 | 80 | 75 | 70 | 65 |
| | | | | 75°F | | | | | | 85°F | | | | | | | |
| 500 | 77 | 29.9 | 1.6 | 4.7 | 4.0 | 2.1 | - | - | - | 26.9 | 1.8 | 9.1 | 7.4 | 5.3 | - | - | - |
| | 72 | 28.3 | 1.6 | 11.7 | 9.7 | 7.7 | 5.8 | - | - | 25.4 | 1.8 | 13.6 | 11.6 | 9.5 | 7.5 | - | - |
| | 67 | 26.6 | 1.6 | 17.9 | 15.4 | 13.4 | 11.4 | 9.5 | - | 23.8 | 1.7 | 18.0 | 15.7 | 13.7 | 11.7 | 9.7 | - |
| | 62 | 25.0 | 1.6 | 23.8 | 16.8 | 12.3 | 10.3 | 8.3 | 6.3 | 21.7 | 1.7 | 21.1 | 17.6 | 14.8 | 12.8 | 10.8 | 8.7 |
| 600 | 77 | 30.2 | 1.6 | 7.8 | 5.5 | 3.2 | - | - | - | 27.7 | 1.8 | 10.9 | 8.6 | 6.2 | - | - | - |
| | 72 | 28.5 | 1.6 | 14.7 | 12.4 | 10.1 | 7.9 | - | - | 26.1 | 1.8 | 15.8 | 13.5 | 11.2 | 8.8 | - | - |
| | 67 | 26.9 | 1.6 | 21.6 | 19.3 | 17.0 | 14.8 | 12.5 | - | 24.6 | 1.8 | 20.7 | 18.4 | 16.1 | 13.7 | 11.4 | - |
| | 62 | 25.3 | 1.6 | 24.5 | 19.9 | 16.0 | 13.8 | 11.5 | 9.2 | 22.4 | 1.7 | 22.0 | 19.7 | 17.4 | 15.0 | 12.7 | 10.4 |
| | 57 | 26.4 | 1.6 | 26.4 | 22.0 | 18.2 | 15.9 | 13.7 | 11.4 | 23.7 | 1.7 | 23.7 | 21.5 | 19.2 | 16.8 | 14.5 | 12.2 |
| 700 | 77 | 30.5 | 1.6 | 10.8 | 7.0 | 4.4 | - | - | - | 28.5 | 1.8 | 12.6 | 9.8 | 7.2 | - | - | - |
| | 72 | 28.8 | 1.6 | 17.6 | 15.1 | 12.5 | 10.0 | - | - | 26.9 | 1.8 | 18.0 | 15.4 | 12.8 | 10.2 | - | - |
| | 67 | 27.2 | 1.6 | 25.2 | 23.2 | 20.7 | 18.1 | 15.6 | - | 25.3 | 1.8 | 23.3 | 21.0 | 18.4 | 15.8 | 13.2 | - |
| | 62 | 25.6 | 1.6 | 25.2 | 22.9 | 19.8 | 17.2 | 14.7 | 12.1 | 23.1 | 1.7 | 22.9 | 21.7 | 19.9 | 17.3 | 14.7 | 12.1 |
| | 57 | 26.7 | 1.6 | 26.7 | 24.5 | 22.4 | 19.8 | 17.3 | 14.7 | 24.4 | 1.7 | 24.4 | 23.3 | 21.9 | 19.3 | 16.7 | 14.1 |
| 800 | 77 | 30.8 | 1.6 | 13.8 | 8.4 | 5.6 | - | - | - | 29.3 | 1.8 | 14.4 | 11.0 | 8.1 | - | - | - |
| | 72 | 29.1 | 1.6 | 20.6 | 17.8 | 14.9 | 12.1 | - | - | 27.7 | 1.8 | 20.2 | 17.3 | 14.4 | 11.5 | - | - |
| | 67 | 27.4 | 1.6 | 27.4 | 27.1 | 24.3 | 21.5 | 18.6 | - | 26.0 | 1.8 | 26.0 | 23.6 | 20.8 | 17.9 | 15.0 | - |
| | 62 | 25.9 | 1.6 | 25.9 | 25.9 | 23.5 | 20.7 | 17.9 | 15.0 | 23.7 | 1.7 | 23.7 | 23.7 | 22.4 | 19.5 | 16.6 | 13.7 |
| | 57 | 27.0 | 1.6 | 27.0 | 27.0 | 26.6 | 23.7 | 20.9 | 18.1 | 25.1 | 1.8 | 25.1 | 25.1 | 24.7 | 21.8 | 19.0 | 16.1 |
| 900 | 72 | 30.0 | 1.6 | 20.4 | 17.1 | 13.8 | 10.5 | - | - | 28.0 | 1.8 | 20.9 | 17.7 | 14.4 | 11.2 | - | - |
| | 67 | 28.2 | 1.6 | 28.2 | 26.2 | 22.9 | 19.5 | 16.2 | - | 26.4 | 1.8 | 26.4 | 24.0 | 20.8 | 17.5 | 14.2 | - |
| | 62 | 26.6 | 1.6 | 26.6 | 26.6 | 23.5 | 20.2 | 16.9 | 13.6 | 24.0 | 1.7 | 24.0 | 24.0 | 22.4 | 19.2 | 15.9 | 12.7 |
| | 57 | 27.8 | 1.6 | 27.8 | 27.8 | 26.5 | 23.2 | 19.9 | 16.6 | 25.4 | 1.8 | 25.4 | 25.4 | 24.7 | 21.5 | 18.2 | 15.0 |
| 1000 | 72 | 30.8 | 1.6 | 20.1 | 16.4 | 12.6 | 8.8 | - | - | 28.4 | 1.8 | 21.6 | 18.0 | 14.4 | 10.8 | - | - |
| | 67 | 29.0 | 1.6 | 29.0 | 25.2 | 21.4 | 17.6 | 13.9 | - | 26.7 | 1.8 | 26.7 | 24.4 | 20.8 | 17.1 | 13.5 | - |
| | 62 | 27.3 | 1.6 | 27.3 | 27.3 | 23.4 | 19.6 | 15.9 | 12.1 | 24.4 | 1.7 | 24.4 | 24.4 | 22.4 | 18.8 | 15.2 | 11.6 |
| | 57 | 28.5 | 1.6 | 28.5 | 28.5 | 26.4 | 22.7 | 18.9 | 15.1 | 25.8 | 1.8 | 25.8 | 25.8 | 24.7 | 21.1 | 17.5 | 13.9 |

DNZ024 (2.0 Ton) (Continued)

| Air on Evaporator Coil | | Temperature of Air on Condenser Coil | | | | | | | | | | | | | | | |
|------------------------|---------|--------------------------------------|-------------------------------|-------------------------|------|------|------|------|------|---------------------------------|-------------------------------|-------------------------|------|------|------|------|------|
| CFM | WB (°F) | Net Capacity ¹ (MBh) | Total Input (kW) ² | Sensible Capacity (MBh) | | | | | | Net Capacity ¹ (MBh) | Total Input (kW) ² | Sensible Capacity (MBh) | | | | | |
| | | | | Return Dry Bulb (°F) | | | | | | | | Return Dry Bulb (°F) | | | | | |
| | | | | 90 | 85 | 80 | 75 | 70 | 65 | | | 90 | 85 | 80 | 75 | 70 | 65 |
| | | | | 95°F | | | | | | 105°F | | | | | | | |
| 500 | 77 | 23.9 | 2.0 | 12.8 | 10.7 | 8.6 | - | - | - | 22.8 | 2.1 | 11.4 | 9.3 | 7.4 | - | - | - |
| | 72 | 22.5 | 1.9 | 15.5 | 13.4 | 11.3 | 9.2 | - | - | 20.8 | 2.1 | 14.3 | 12.2 | 10.2 | 8.1 | - | - |
| | 67 | 21.1 | 1.9 | 18.2 | 16.1 | 14.0 | 11.9 | 9.9 | - | 18.7 | 2.0 | 17.3 | 15.2 | 12.9 | 10.8 | 8.7 | - |
| | 62 | 18.5 | 1.9 | 18.5 | 18.5 | 17.4 | 15.3 | 13.2 | 11.1 | 17.0 | 2.0 | 17.0 | 17.0 | 15.1 | 13.0 | 11.0 | 8.9 |
| 600 | 77 | 25.2 | 2.0 | 14.0 | 11.6 | 9.3 | - | - | - | 24.0 | 2.1 | 13.5 | 10.5 | 8.1 | - | - | - |
| | 72 | 23.7 | 1.9 | 16.9 | 14.5 | 12.2 | 9.8 | - | - | 21.8 | 2.1 | 16.0 | 13.5 | 11.1 | 8.7 | - | - |
| | 67 | 22.3 | 1.9 | 19.8 | 17.5 | 15.1 | 12.7 | 10.3 | - | 19.7 | 2.0 | 18.4 | 16.5 | 14.1 | 11.7 | 9.3 | - |
| | 62 | 19.5 | 1.9 | 19.5 | 19.5 | 18.7 | 16.3 | 13.9 | 11.6 | 17.8 | 2.0 | 17.8 | 17.8 | 16.6 | 14.1 | 11.7 | 9.3 |
| | 57 | 21.0 | 1.9 | 21.0 | 21.0 | 20.1 | 17.7 | 15.4 | 13.0 | 19.1 | 2.0 | 19.1 | 19.1 | 17.7 | 15.2 | 12.8 | 10.4 |
| 700 | 77 | 26.5 | 2.0 | 15.2 | 12.6 | 9.9 | - | - | - | 25.1 | 2.1 | 15.6 | 11.8 | 8.8 | - | - | - |
| | 72 | 24.9 | 1.9 | 18.3 | 15.7 | 13.0 | 10.4 | - | - | 22.9 | 2.1 | 17.6 | 14.8 | 12.1 | 9.4 | - | - |
| | 67 | 23.4 | 1.9 | 21.5 | 18.8 | 16.1 | 13.5 | 10.8 | - | 20.6 | 2.0 | 19.6 | 17.9 | 15.4 | 12.6 | 9.9 | - |
| | 62 | 20.5 | 1.9 | 20.5 | 20.5 | 20.0 | 17.3 | 14.7 | 12.0 | 18.7 | 2.0 | 18.7 | 18.7 | 18.0 | 15.2 | 12.5 | 9.8 |
| | 57 | 22.1 | 1.9 | 22.1 | 22.1 | 21.5 | 18.8 | 16.2 | 13.5 | 20.0 | 2.0 | 20.0 | 20.0 | 19.2 | 16.4 | 13.7 | 10.9 |
| 800 | 77 | 27.8 | 2.0 | 16.4 | 13.5 | 10.6 | - | - | - | 26.3 | 2.1 | 17.7 | 13.0 | 9.5 | - | - | - |
| | 72 | 26.2 | 1.9 | 19.8 | 16.8 | 13.9 | 10.9 | - | - | 23.9 | 2.1 | 19.2 | 16.2 | 13.1 | 10.0 | - | - |
| | 67 | 24.6 | 1.9 | 23.1 | 20.1 | 17.2 | 14.3 | 11.3 | - | 21.5 | 2.1 | 20.8 | 19.3 | 16.6 | 13.5 | 10.5 | - |
| | 62 | 21.5 | 1.9 | 21.5 | 21.5 | 21.3 | 18.4 | 15.4 | 12.5 | 19.5 | 2.0 | 19.5 | 19.5 | 19.4 | 16.4 | 13.3 | 10.2 |
| | 57 | 23.2 | 1.9 | 23.2 | 23.2 | 22.9 | 20.0 | 17.0 | 14.1 | 21.0 | 2.0 | 21.0 | 21.0 | 20.7 | 17.6 | 14.5 | 11.5 |
| 900 | 72 | 26.1 | 2.0 | 21.5 | 18.3 | 15.0 | 11.8 | - | - | 24.0 | 2.1 | 20.7 | 17.4 | 14.0 | 10.7 | - | - |
| | 67 | 24.5 | 1.9 | 23.8 | 21.9 | 18.7 | 15.4 | 12.2 | - | 21.7 | 2.1 | 21.3 | 20.3 | 17.8 | 14.5 | 11.2 | - |
| | 62 | 21.5 | 1.9 | 21.5 | 21.5 | 21.4 | 18.2 | 14.9 | 11.7 | 19.7 | 2.0 | 19.7 | 19.7 | 19.6 | 16.3 | 12.9 | 9.6 |
| | 57 | 23.1 | 1.9 | 23.1 | 23.1 | 23.0 | 19.8 | 16.6 | 13.4 | 21.1 | 2.1 | 21.1 | 21.1 | 21.0 | 17.6 | 14.3 | 11.0 |
| 1000 | 72 | 26.1 | 2.0 | 23.2 | 19.7 | 16.2 | 12.8 | - | - | 24.2 | 2.1 | 22.2 | 18.6 | 15.0 | 11.4 | - | - |
| | 67 | 24.5 | 1.9 | 24.5 | 23.6 | 20.1 | 16.6 | 13.2 | - | 21.8 | 2.1 | 21.8 | 21.3 | 19.1 | 15.5 | 11.9 | - |
| | 62 | 21.4 | 1.9 | 21.4 | 21.4 | 21.4 | 18.0 | 14.5 | 11.0 | 19.8 | 2.1 | 19.8 | 19.8 | 19.8 | 16.2 | 12.6 | 9.0 |
| | 57 | 23.1 | 1.9 | 23.1 | 23.1 | 23.1 | 19.6 | 16.1 | 12.7 | 21.2 | 2.1 | 21.2 | 21.2 | 21.2 | 17.6 | 14.0 | 10.4 |

DNZ024 (2.0 Ton) (Continued)

| Air on Evaporator Coil | | Temperature of Air on Condenser Coil | | | | | | | | | | | | | | | |
|------------------------|---------|--------------------------------------|-------------------------------|-------------------------|------|------|------|------|-----|---------------------------------|-------------------------------|-------------------------|------|------|------|-----|-----|
| CFM | WB (°F) | Net Capacity ¹ (MBh) | Total Input (kW) ² | Sensible Capacity (MBh) | | | | | | Net Capacity ¹ (MBh) | Total Input (kW) ² | Sensible Capacity (MBh) | | | | | |
| | | | | Return Dry Bulb (°F) | | | | | | | | Return Dry Bulb (°F) | | | | | |
| | | | | 90 | 85 | 80 | 75 | 70 | 65 | | | 90 | 85 | 80 | 75 | 70 | 65 |
| | | | | 115°F | | | | | | 125°F | | | | | | | |
| 500 | 77 | 21.8 | 2.3 | 10.0 | 7.9 | 6.2 | - | - | - | 20.8 | 2.4 | 10.0 | 5.9 | 5.1 | - | - | - |
| | 72 | 19.1 | 2.2 | 13.2 | 11.1 | 9.0 | 6.9 | - | - | 17.4 | 2.4 | 12.0 | 9.9 | 7.8 | 5.8 | - | - |
| | 67 | 16.3 | 2.2 | 16.3 | 14.2 | 11.8 | 9.7 | 7.6 | - | 14.0 | 2.3 | 14.0 | 14.0 | 10.6 | 8.5 | 6.5 | - |
| | 62 | 15.5 | 2.2 | 15.5 | 15.5 | 12.9 | 10.8 | 8.7 | 6.6 | 14.0 | 2.3 | 14.0 | 14.0 | 10.6 | 8.5 | 6.5 | 4.4 |
| 600 | 77 | 22.8 | 2.3 | 13.0 | 9.5 | 7.0 | - | - | - | 21.6 | 2.4 | 13.7 | 8.6 | 5.9 | - | - | - |
| | 72 | 19.9 | 2.2 | 15.0 | 12.5 | 10.1 | 7.6 | - | - | 18.0 | 2.4 | 14.1 | 11.6 | 9.1 | 6.5 | - | - |
| | 67 | 17.1 | 2.2 | 17.1 | 15.6 | 13.2 | 10.7 | 8.3 | - | 14.5 | 2.3 | 14.5 | 14.5 | 12.2 | 9.7 | 7.2 | - |
| | 62 | 16.2 | 2.2 | 16.2 | 16.2 | 14.4 | 12.0 | 9.5 | 7.1 | 14.6 | 2.3 | 14.6 | 14.6 | 12.3 | 9.8 | 7.3 | 4.8 |
| | 57 | 17.3 | 2.2 | 17.3 | 17.3 | 15.2 | 12.8 | 10.3 | 7.8 | 15.5 | 2.3 | 15.5 | 15.5 | 12.8 | 10.3 | 7.8 | 5.3 |
| 700 | 77 | 23.8 | 2.3 | 15.9 | 11.0 | 7.8 | - | - | - | 22.4 | 2.5 | 17.3 | 11.4 | 6.7 | - | - | - |
| | 72 | 20.8 | 2.2 | 16.9 | 14.0 | 11.2 | 8.3 | - | - | 18.7 | 2.4 | 16.1 | 13.2 | 10.3 | 7.3 | - | - |
| | 67 | 17.8 | 2.2 | 17.8 | 17.1 | 14.6 | 11.8 | 8.9 | - | 15.0 | 2.3 | 15.0 | 15.0 | 13.8 | 10.9 | 8.0 | - |
| | 62 | 16.9 | 2.2 | 16.9 | 16.9 | 16.0 | 13.2 | 10.3 | 7.5 | 15.1 | 2.3 | 15.1 | 15.1 | 14.0 | 11.1 | 8.2 | 5.2 |
| | 57 | 18.0 | 2.2 | 18.0 | 18.0 | 16.9 | 14.0 | 11.2 | 8.4 | 16.0 | 2.3 | 16.0 | 16.0 | 14.5 | 11.6 | 8.7 | 5.8 |
| 800 | 77 | 24.7 | 2.3 | 18.9 | 12.5 | 8.5 | - | - | - | 23.2 | 2.5 | 20.9 | 14.2 | 7.5 | - | - | - |
| | 72 | 21.6 | 2.3 | 18.7 | 15.5 | 12.3 | 9.1 | - | - | 19.3 | 2.4 | 18.2 | 14.8 | 11.5 | 8.1 | - | - |
| | 67 | 18.5 | 2.2 | 18.5 | 18.5 | 16.0 | 12.8 | 9.6 | - | 15.5 | 2.3 | 15.5 | 15.5 | 15.5 | 12.1 | 8.8 | - |
| | 62 | 17.6 | 2.2 | 17.6 | 17.6 | 17.6 | 14.3 | 11.1 | 7.9 | 15.6 | 2.3 | 15.6 | 15.6 | 15.6 | 12.3 | 9.0 | 5.6 |
| | 57 | 18.8 | 2.2 | 18.8 | 18.8 | 18.5 | 15.3 | 12.1 | 8.9 | 16.5 | 2.4 | 16.5 | 16.5 | 16.3 | 13.0 | 9.6 | 6.3 |
| 900 | 72 | 22.0 | 2.3 | 20.0 | 16.5 | 13.0 | 9.6 | - | - | 19.9 | 2.4 | 19.2 | 15.6 | 12.0 | 8.4 | - | - |
| | 67 | 18.8 | 2.2 | 18.8 | 18.8 | 17.0 | 13.6 | 10.1 | - | 15.9 | 2.4 | 15.9 | 15.9 | 15.9 | 12.6 | 9.0 | - |
| | 62 | 17.8 | 2.2 | 17.8 | 17.8 | 17.8 | 14.4 | 10.9 | 7.5 | 16.0 | 2.3 | 16.0 | 16.0 | 16.0 | 12.5 | 8.9 | 5.3 |
| | 57 | 19.1 | 2.2 | 19.1 | 19.1 | 18.9 | 15.5 | 12.0 | 8.5 | 17.0 | 2.4 | 17.0 | 17.0 | 16.9 | 13.3 | 9.7 | 6.1 |
| 1000 | 72 | 22.3 | 2.3 | 21.2 | 17.5 | 13.8 | 10.1 | - | - | 20.4 | 2.4 | 20.3 | 16.4 | 12.6 | 8.8 | - | - |
| | 67 | 19.1 | 2.2 | 19.1 | 19.1 | 18.0 | 14.3 | 10.6 | - | 16.4 | 2.4 | 16.4 | 16.4 | 16.4 | 13.2 | 9.3 | - |
| | 62 | 18.1 | 2.2 | 18.1 | 18.1 | 18.1 | 14.4 | 10.7 | 7.0 | 16.5 | 2.4 | 16.5 | 16.5 | 16.5 | 12.7 | 8.8 | 5.0 |
| | 57 | 19.4 | 2.2 | 19.4 | 19.4 | 19.4 | 15.7 | 11.9 | 8.2 | 17.5 | 2.4 | 17.5 | 17.5 | 17.5 | 13.7 | 9.9 | 6.0 |

1. These capacities are Net Capacities.
2. These ratings include the compressor, condenser fan and supply air blower motors.

DNZ030 (2.5 Ton)

| Air on Evaporator Coil | | Temperature of Air on Condenser Coil | | | | | | | | | | | | | | | |
|------------------------|---------|--------------------------------------|-------------------------------|-------------------------|------|------|------|------|------|---------------------------------|-------------------------------|-------------------------|------|------|------|------|------|
| CFM | WB (°F) | Net Capacity ¹ (MBh) | Total Input (kW) ² | Sensible Capacity (MBh) | | | | | | Net Capacity ¹ (MBh) | Total Input (kW) ² | Sensible Capacity (MBh) | | | | | |
| | | | | Return Dry Bulb (°F) | | | | | | | | Return Dry Bulb (°F) | | | | | |
| | | | | 90 | 85 | 80 | 75 | 70 | 65 | | | 90 | 85 | 80 | 75 | 70 | 65 |
| | | | | 75°F | | | | | | 85°F | | | | | | | |
| 850 | 77 | 35.3 | 2.1 | 15.9 | 12.6 | 9.3 | - | - | - | 33.9 | 2.3 | 16.5 | 13.1 | 9.7 | - | - | - |
| | 72 | 33.5 | 2.1 | 20.8 | 17.5 | 14.2 | 10.8 | - | - | 31.7 | 2.3 | 20.8 | 17.5 | 14.1 | 10.7 | - | - |
| | 67 | 31.6 | 2.1 | 25.7 | 22.4 | 19.0 | 15.7 | 12.4 | - | 29.6 | 2.3 | 25.2 | 21.8 | 18.4 | 15.0 | 11.6 | - |
| | 62 | 29.7 | 2.0 | 29.7 | 27.6 | 22.8 | 19.5 | 16.1 | 12.8 | 27.4 | 2.2 | 27.4 | 26.3 | 22.4 | 19.0 | 15.6 | 12.2 |
| 900 | 57 | 37.1 | 2.1 | 17.0 | 13.7 | 10.4 | - | - | - | 35.6 | 2.4 | 17.6 | 14.2 | 10.7 | - | - | - |
| | 77 | 35.1 | 2.1 | 22.4 | 19.1 | 15.8 | 12.4 | - | - | 33.3 | 2.3 | 22.4 | 18.9 | 15.5 | 12.0 | - | - |
| | 72 | 33.2 | 2.1 | 27.8 | 24.5 | 21.2 | 17.8 | 14.5 | - | 31.1 | 2.3 | 27.2 | 23.7 | 20.3 | 16.8 | 13.3 | - |
| | 67 | 31.2 | 2.0 | 31.2 | 29.8 | 25.3 | 22.0 | 18.7 | 15.4 | 28.8 | 2.2 | 28.8 | 28.1 | 24.6 | 21.2 | 17.7 | 14.3 |
| 62 | 29.9 | 2.0 | 29.9 | 29.9 | 27.1 | 23.8 | 20.5 | 17.2 | 28.0 | 2.2 | 28.0 | 28.0 | 25.8 | 22.4 | 18.9 | 15.5 | - |
| 950 | 57 | 38.8 | 2.1 | 18.0 | 14.7 | 11.4 | - | - | - | 37.3 | 2.4 | 18.8 | 15.2 | 11.7 | - | - | - |
| | 77 | 36.8 | 2.1 | 24.0 | 20.7 | 17.3 | 14.0 | - | - | 34.9 | 2.3 | 24.0 | 20.4 | 16.9 | 13.4 | - | - |
| | 72 | 34.8 | 2.1 | 29.9 | 26.6 | 23.3 | 20.0 | 16.7 | - | 32.5 | 2.3 | 29.1 | 25.6 | 22.1 | 18.6 | 15.1 | - |
| | 67 | 32.7 | 2.1 | 32.7 | 32.0 | 27.9 | 24.6 | 21.3 | 17.9 | 30.2 | 2.3 | 30.2 | 29.8 | 26.9 | 23.4 | 19.8 | 16.3 |
| 62 | 31.3 | 2.1 | 31.3 | 31.3 | 29.9 | 26.6 | 23.2 | 19.9 | 29.4 | 2.3 | 29.4 | 29.4 | 28.2 | 24.7 | 21.2 | 17.6 | - |
| 1000 | 57 | 40.6 | 2.2 | 19.1 | 15.8 | 12.5 | - | - | - | 39.0 | 2.4 | 19.9 | 16.3 | 12.7 | - | - | - |
| | 72 | 38.5 | 2.1 | 25.6 | 22.2 | 18.9 | 15.6 | - | - | 36.5 | 2.3 | 25.5 | 21.9 | 18.3 | 14.7 | - | - |
| | 67 | 36.4 | 2.1 | 32.0 | 28.7 | 25.4 | 22.1 | 18.8 | - | 34.0 | 2.3 | 31.1 | 27.6 | 24.0 | 20.4 | 16.8 | - |
| | 62 | 34.2 | 2.1 | 34.2 | 34.2 | 30.4 | 27.1 | 23.8 | 20.5 | 31.5 | 2.3 | 31.5 | 31.5 | 29.1 | 25.6 | 22.0 | 18.4 |
| 57 | 32.8 | 2.1 | 32.8 | 32.8 | 32.6 | 29.3 | 26.0 | 22.7 | 30.7 | 2.3 | 30.7 | 30.7 | 30.6 | 27.0 | 23.4 | 19.8 | - |
| 1125 | 72 | 39.1 | 2.1 | 26.5 | 22.9 | 19.4 | 15.8 | - | - | 37.1 | 2.4 | 26.9 | 23.0 | 19.2 | 15.3 | - | - |
| | 67 | 37.0 | 2.1 | 34.1 | 29.6 | 26.0 | 22.4 | 18.9 | - | 34.6 | 2.3 | 32.8 | 28.9 | 25.1 | 21.2 | 17.4 | - |
| | 62 | 34.7 | 2.1 | 34.7 | 34.7 | 32.1 | 28.6 | 25.0 | 21.5 | 32.0 | 2.3 | 32.0 | 32.0 | 30.5 | 26.6 | 22.8 | 18.9 |
| | 57 | 33.3 | 2.1 | 33.3 | 33.3 | 33.2 | 29.7 | 26.1 | 22.5 | 31.2 | 2.3 | 31.2 | 31.2 | 31.1 | 27.3 | 23.4 | 19.6 |
| 1250 | 72 | 39.8 | 2.2 | 27.4 | 23.6 | 19.8 | 16.0 | - | - | 37.7 | 2.4 | 28.2 | 24.1 | 20.0 | 15.9 | - | - |
| | 67 | 37.6 | 2.1 | 36.1 | 30.4 | 26.6 | 22.8 | 19.0 | - | 35.1 | 2.3 | 34.4 | 30.3 | 26.2 | 22.0 | 17.9 | - |
| | 62 | 35.3 | 2.1 | 35.3 | 35.3 | 33.8 | 30.0 | 26.2 | 22.4 | 32.5 | 2.3 | 32.5 | 32.5 | 31.8 | 27.7 | 23.6 | 19.5 |
| | 57 | 33.8 | 2.1 | 33.8 | 33.8 | 33.8 | 30.0 | 26.2 | 22.4 | 31.7 | 2.3 | 31.7 | 31.7 | 31.7 | 27.6 | 23.5 | 19.4 |
| | | | | 95°F | | | | | | 105°F | | | | | | | |
| 850 | 77 | 32.4 | 2.6 | 17.1 | 13.7 | 10.2 | - | - | - | 30.7 | 2.8 | 17.4 | 13.0 | 9.4 | - | - | - |
| | 72 | 30.0 | 2.5 | 20.9 | 17.4 | 14.0 | 10.5 | - | - | 27.8 | 2.7 | 20.4 | 16.8 | 13.1 | 9.5 | - | - |
| | 67 | 27.5 | 2.5 | 24.7 | 21.2 | 17.8 | 14.3 | 10.8 | - | 24.9 | 2.6 | 23.5 | 20.6 | 16.9 | 13.2 | 9.6 | - |
| | 62 | 25.1 | 2.4 | 25.1 | 25.1 | 21.9 | 18.5 | 15.0 | 11.6 | 23.0 | 2.6 | 23.0 | 23.0 | 20.1 | 16.4 | 12.8 | 9.1 |
| 900 | 57 | 34.1 | 2.6 | 18.3 | 14.7 | 11.1 | - | - | - | 32.1 | 2.8 | 18.8 | 14.0 | 10.2 | - | - | - |
| | 77 | 31.5 | 2.5 | 22.4 | 18.8 | 15.2 | 11.6 | - | - | 29.1 | 2.7 | 21.8 | 18.1 | 14.3 | 10.6 | - | - |
| | 72 | 28.9 | 2.5 | 26.5 | 22.9 | 19.3 | 15.8 | 12.2 | - | 26.1 | 2.7 | 24.9 | 22.2 | 18.4 | 14.7 | 10.9 | - |
| | 67 | 26.4 | 2.4 | 26.4 | 26.4 | 23.9 | 20.3 | 16.7 | 13.1 | 24.1 | 2.6 | 24.1 | 24.1 | 21.9 | 18.2 | 14.4 | 10.7 |
| 62 | 26.2 | 2.4 | 26.2 | 26.2 | 24.5 | 20.9 | 17.3 | 13.8 | 24.0 | 2.6 | 24.0 | 24.0 | 22.2 | 18.4 | 14.7 | 10.9 | |
| 950 | 57 | 35.7 | 2.6 | 19.5 | 15.8 | 12.0 | - | - | - | 33.4 | 2.8 | 20.2 | 14.9 | 11.1 | - | - | - |
| | 77 | 33.0 | 2.5 | 23.9 | 20.2 | 16.5 | 12.8 | - | - | 30.3 | 2.7 | 23.2 | 19.4 | 15.5 | 11.7 | - | - |
| | 72 | 30.3 | 2.5 | 28.4 | 24.7 | 20.9 | 17.2 | 13.5 | - | 27.2 | 2.7 | 26.2 | 23.8 | 20.0 | 16.2 | 12.3 | - |
| | 67 | 27.6 | 2.4 | 27.6 | 27.6 | 25.9 | 22.1 | 18.4 | 14.7 | 25.1 | 2.6 | 25.1 | 25.1 | 23.7 | 19.9 | 16.1 | 12.2 |
| 62 | 27.4 | 2.4 | 27.4 | 27.4 | 26.5 | 22.8 | 19.1 | 15.4 | 25.0 | 2.6 | 25.0 | 25.0 | 24.0 | 20.2 | 16.3 | 12.5 | |
| 1000 | 57 | 37.4 | 2.6 | 20.7 | 16.8 | 12.9 | - | - | - | 34.8 | 2.8 | 21.6 | 15.9 | 11.9 | - | - | - |
| | 72 | 34.6 | 2.6 | 25.5 | 21.6 | 17.7 | 13.9 | - | - | 31.6 | 2.8 | 24.6 | 20.7 | 16.7 | 12.8 | - | - |
| | 67 | 31.7 | 2.5 | 30.3 | 26.4 | 22.5 | 18.7 | 14.8 | - | 28.3 | 2.7 | 27.6 | 25.5 | 21.5 | 17.6 | 13.7 | - |
| | 62 | 28.9 | 2.5 | 28.9 | 28.9 | 27.8 | 24.0 | 20.1 | 16.2 | 26.1 | 2.6 | 26.1 | 26.1 | 25.6 | 21.7 | 17.7 | 13.8 |
| 57 | 28.7 | 2.5 | 28.7 | 28.7 | 28.6 | 24.7 | 20.8 | 17.0 | 26.0 | 2.6 | 26.0 | 26.0 | 25.9 | 21.9 | 18.0 | 14.1 | |
| 1125 | 72 | 35.1 | 2.6 | 27.3 | 23.1 | 19.0 | 14.8 | - | - | 32.1 | 2.8 | 26.4 | 22.1 | 17.9 | 13.6 | - | - |
| | 67 | 32.2 | 2.5 | 31.5 | 28.3 | 24.1 | 20.0 | 15.8 | - | 28.8 | 2.7 | 28.4 | 26.7 | 23.0 | 18.8 | 14.5 | - |
| | 62 | 29.3 | 2.5 | 29.3 | 29.3 | 28.8 | 24.7 | 20.5 | 16.4 | 26.5 | 2.7 | 26.5 | 26.5 | 26.3 | 22.0 | 17.8 | 13.5 |
| | 57 | 29.1 | 2.5 | 29.1 | 29.1 | 29.1 | 24.9 | 20.8 | 16.6 | 26.5 | 2.7 | 26.5 | 26.5 | 26.4 | 22.1 | 17.9 | 13.6 |
| 1250 | 72 | 35.6 | 2.6 | 29.1 | 24.7 | 20.2 | 15.8 | - | - | 32.6 | 2.8 | 28.2 | 23.6 | 19.0 | 14.5 | - | - |
| | 67 | 32.7 | 2.5 | 32.7 | 30.1 | 25.7 | 21.3 | 16.9 | - | 29.2 | 2.7 | 29.2 | 28.0 | 24.5 | 19.9 | 15.4 | - |
| | 62 | 29.8 | 2.5 | 29.8 | 29.8 | 29.8 | 25.4 | 21.0 | 16.5 | 27.0 | 2.7 | 27.0 | 27.0 | 27.0 | 22.4 | 17.8 | 13.2 |
| | 57 | 29.6 | 2.5 | 29.6 | 29.6 | 29.6 | 25.2 | 20.7 | 16.3 | 26.9 | 2.7 | 26.9 | 26.9 | 26.9 | 22.3 | 17.7 | 13.1 |

DNZ030 (2.5 Ton) (Continued)

| Air on Evaporator Coil | | Temperature of Air on Condenser Coil | | | | | | | | | | | | | | | |
|------------------------|---------|--------------------------------------|-------------------------------|-------------------------|------|------|------|------|------|---------------------------------|-------------------------------|-------------------------|------|------|------|------|-----|
| CFM | WB (°F) | Net Capacity ¹ (MBh) | Total Input (kW) ² | Sensible Capacity (MBh) | | | | | | Net Capacity ¹ (MBh) | Total Input (kW) ² | Sensible Capacity (MBh) | | | | | |
| | | | | Return Dry Bulb (°F) | | | | | | | | Return Dry Bulb (°F) | | | | | |
| | | | | 90 | 85 | 80 | 75 | 70 | 65 | | | 90 | 85 | 80 | 75 | 70 | 65 |
| | | | | 115°F | | | | | | 125°F | | | | | | | |
| 850 | 77 | 29.0 | 3.0 | 17.6 | 12.4 | 8.5 | - | - | - | 27.2 | 3.3 | 19.3 | 11.2 | 7.7 | - | - | - |
| | 72 | 25.7 | 2.9 | 20.0 | 16.1 | 12.3 | 8.4 | - | - | 23.5 | 3.1 | 19.6 | 15.5 | 11.4 | 7.4 | - | - |
| | 67 | 22.4 | 2.8 | 22.4 | 19.9 | 16.0 | 12.2 | 8.3 | - | 19.8 | 3.0 | 19.8 | 19.8 | 15.2 | 11.1 | 7.1 | - |
| | 62 | 21.0 | 2.8 | 21.0 | 21.0 | 18.2 | 14.3 | 10.5 | 6.6 | 18.9 | 3.0 | 18.9 | 18.9 | 16.3 | 12.3 | 8.2 | 4.1 |
| 900 | 57 | 30.0 | 3.0 | 19.3 | 13.2 | 9.3 | - | - | - | 28.0 | 3.3 | 21.0 | 12.8 | 8.4 | - | - | - |
| | 77 | 26.6 | 2.9 | 21.2 | 17.3 | 13.4 | 9.5 | - | - | 24.2 | 3.1 | 20.7 | 16.6 | 12.5 | 8.5 | - | - |
| | 72 | 23.2 | 2.8 | 23.2 | 21.5 | 17.6 | 13.6 | 9.7 | - | 20.4 | 3.0 | 20.4 | 20.4 | 16.7 | 12.6 | 8.5 | - |
| | 67 | 21.8 | 2.8 | 21.8 | 21.8 | 19.9 | 16.0 | 12.1 | 8.2 | 19.5 | 3.0 | 19.5 | 19.5 | 17.9 | 13.8 | 9.8 | 5.7 |
| 950 | 62 | 21.8 | 2.8 | 21.8 | 21.8 | 19.8 | 15.9 | 12.0 | 8.1 | 19.6 | 3.0 | 19.6 | 19.6 | 17.4 | 13.3 | 9.3 | 5.2 |
| | 57 | 31.1 | 3.0 | 20.9 | 14.1 | 10.1 | - | - | - | 28.8 | 3.3 | 22.6 | 14.5 | 9.1 | - | - | - |
| | 77 | 27.6 | 2.9 | 22.5 | 18.5 | 14.6 | 10.6 | - | - | 24.9 | 3.2 | 21.8 | 17.7 | 13.6 | 9.6 | - | - |
| | 72 | 24.1 | 2.9 | 24.1 | 23.0 | 19.1 | 15.1 | 11.2 | - | 20.9 | 3.0 | 20.9 | 20.9 | 18.1 | 14.1 | 10.0 | - |
| 1000 | 67 | 22.5 | 2.8 | 22.5 | 22.5 | 21.6 | 17.7 | 13.7 | 9.8 | 20.0 | 3.0 | 20.0 | 20.0 | 19.5 | 15.4 | 11.4 | 7.3 |
| | 62 | 22.6 | 2.8 | 22.6 | 22.6 | 21.5 | 17.5 | 13.6 | 9.6 | 20.1 | 3.0 | 20.1 | 20.1 | 18.9 | 14.9 | 10.8 | 6.7 |
| | 57 | 32.2 | 3.1 | 22.6 | 14.9 | 10.9 | - | - | - | 29.6 | 3.3 | 24.2 | 16.1 | 9.9 | - | - | - |
| | 72 | 28.6 | 3.0 | 23.7 | 19.7 | 15.7 | 11.7 | - | - | 25.5 | 3.2 | 22.9 | 18.8 | 14.7 | 10.7 | - | - |
| 1000 | 67 | 24.9 | 2.9 | 24.9 | 24.6 | 20.6 | 16.6 | 12.6 | - | 21.5 | 3.0 | 21.5 | 21.5 | 19.6 | 15.5 | 11.5 | - |
| | 62 | 23.3 | 2.8 | 23.3 | 23.3 | 23.3 | 19.3 | 15.3 | 11.3 | 20.5 | 3.0 | 20.5 | 20.5 | 20.5 | 17.0 | 12.9 | 8.9 |
| | 57 | 23.4 | 2.8 | 23.4 | 23.4 | 23.2 | 19.2 | 15.2 | 11.2 | 20.7 | 3.0 | 20.7 | 20.7 | 20.5 | 16.4 | 12.4 | 8.3 |
| | 1125 | 72 | 29.1 | 3.0 | 25.5 | 21.2 | 16.8 | 12.4 | - | - | 26.1 | 3.2 | 24.7 | 20.2 | 15.7 | 11.2 | - |
| 67 | | 25.3 | 2.9 | 25.3 | 25.2 | 21.9 | 17.6 | 13.2 | - | 21.9 | 3.1 | 21.9 | 21.9 | 20.9 | 16.4 | 11.9 | - |
| 62 | | 23.7 | 2.8 | 23.7 | 23.7 | 23.7 | 19.4 | 15.0 | 10.6 | 21.0 | 3.0 | 21.0 | 21.0 | 21.0 | 16.7 | 12.2 | 7.7 |
| 57 | | 23.8 | 2.9 | 23.8 | 23.8 | 23.7 | 19.3 | 14.9 | 10.6 | 21.1 | 3.0 | 21.1 | 21.1 | 21.0 | 16.5 | 12.0 | 7.5 |
| 1250 | 72 | 29.6 | 3.0 | 27.4 | 22.6 | 17.8 | 13.1 | - | - | 26.6 | 3.2 | 26.5 | 21.6 | 16.6 | 11.7 | - | - |
| | 67 | 25.8 | 2.9 | 25.8 | 25.8 | 23.3 | 18.6 | 13.8 | - | 22.4 | 3.1 | 22.4 | 22.4 | 22.1 | 17.2 | 12.3 | - |
| | 62 | 24.2 | 2.9 | 24.2 | 24.2 | 24.2 | 19.4 | 14.7 | 9.9 | 21.4 | 3.1 | 21.4 | 21.4 | 21.4 | 16.4 | 11.5 | 6.6 |
| | 57 | 24.2 | 2.9 | 24.2 | 24.2 | 24.2 | 19.5 | 14.7 | 9.9 | 21.5 | 3.1 | 21.5 | 21.5 | 21.5 | 16.6 | 11.7 | 6.7 |

1. These capacities are Net Capacities.
2. These ratings include the compressor, condenser fan and supply air blower motors.

DNZ036 (3.0 Ton)

| Air on Evaporator Coil | | Temperature of Air on Condenser Coil | | | | | | | | | | | | | | | | | |
|------------------------|---------|--------------------------------------|-------------------------------|-------------------------|------|------|------|------|------|---------------------------------|-------------------------------|-------------------------|------|------|------|------|------|--|--|
| CFM | WB (°F) | Net Capacity ¹ (MBh) | Total Input (kW) ² | Sensible Capacity (MBh) | | | | | | Net Capacity ¹ (MBh) | Total Input (kW) ² | Sensible Capacity (MBh) | | | | | | | |
| | | | | Return Dry Bulb (°F) | | | | | | | | Return Dry Bulb (°F) | | | | | | | |
| | | | | 90 | 85 | 80 | 75 | 70 | 65 | | | 90 | 85 | 80 | 75 | 70 | 65 | | |
| | | | | 75°F | | | | | | | | 85°F | | | | | | | |
| 750 | 77 | 36.9 | 1.9 | 18.9 | 15.2 | 12.1 | - | - | - | 40.3 | 2.5 | 18.3 | 15.2 | 12.1 | - | - | - | | |
| | 72 | 34.7 | 2.0 | 22.9 | 19.8 | 16.7 | 13.6 | - | - | 37.1 | 2.5 | 23.2 | 20.0 | 16.8 | 13.7 | - | - | | |
| | 67 | 32.6 | 2.1 | 26.9 | 24.4 | 21.3 | 18.2 | 15.1 | - | 33.9 | 2.5 | 28.1 | 24.8 | 21.6 | 18.4 | 15.2 | - | | |
| | 62 | 30.7 | 2.0 | 30.7 | 30.7 | 26.4 | 23.3 | 20.2 | 17.1 | 31.3 | 2.5 | 31.3 | 30.7 | 25.7 | 22.5 | 19.3 | 16.2 | | |
| 900 | 77 | 39.2 | 1.9 | 20.6 | 17.0 | 13.4 | - | - | - | 41.4 | 2.4 | 20.5 | 16.8 | 13.2 | - | - | - | | |
| | 72 | 36.8 | 2.0 | 25.6 | 22.0 | 18.5 | 14.9 | - | - | 38.1 | 2.5 | 25.7 | 22.1 | 18.4 | 14.7 | - | - | | |
| | 67 | 34.5 | 2.2 | 30.7 | 27.1 | 23.5 | 19.9 | 16.3 | - | 34.8 | 2.5 | 30.9 | 27.3 | 23.6 | 19.9 | 16.2 | - | | |
| | 62 | 32.4 | 2.0 | 32.4 | 32.4 | 29.2 | 25.6 | 22.0 | 18.4 | 32.1 | 2.5 | 32.1 | 31.7 | 28.0 | 24.4 | 20.7 | 17.0 | | |
| | 57 | 32.7 | 2.1 | 32.7 | 32.7 | 29.7 | 26.1 | 22.5 | 19.0 | 32.7 | 2.5 | 32.7 | 32.3 | 28.7 | 25.0 | 21.3 | 17.6 | | |
| 1050 | 77 | 41.4 | 2.0 | 22.2 | 18.8 | 14.7 | - | - | - | 42.4 | 2.4 | 22.8 | 18.5 | 14.3 | - | - | - | | |
| | 72 | 38.9 | 2.1 | 28.4 | 24.3 | 20.2 | 16.1 | - | - | 39.1 | 2.5 | 28.3 | 24.1 | 19.9 | 15.7 | - | - | | |
| | 67 | 36.4 | 2.2 | 34.5 | 29.8 | 25.7 | 21.7 | 17.6 | - | 35.7 | 2.5 | 33.7 | 29.7 | 25.6 | 21.4 | 17.2 | - | | |
| | 62 | 34.2 | 2.1 | 34.2 | 34.2 | 31.9 | 27.8 | 23.7 | 19.7 | 32.9 | 2.5 | 32.9 | 32.7 | 30.4 | 26.2 | 22.0 | 17.9 | | |
| | 57 | 34.5 | 2.1 | 34.5 | 34.5 | 32.5 | 28.4 | 24.4 | 20.3 | 33.5 | 2.5 | 33.5 | 33.3 | 31.1 | 26.9 | 22.7 | 18.5 | | |
| 1200 | 77 | 43.7 | 2.0 | 23.8 | 20.5 | 15.9 | - | - | - | 43.5 | 2.4 | 25.1 | 20.1 | 15.4 | - | - | - | | |
| | 72 | 41.0 | 2.1 | 31.1 | 26.5 | 22.0 | 17.4 | - | - | 40.0 | 2.5 | 30.8 | 26.1 | 21.5 | 16.8 | - | - | | |
| | 67 | 38.4 | 2.2 | 38.4 | 32.6 | 28.0 | 23.4 | 18.8 | - | 36.6 | 2.5 | 36.6 | 32.2 | 27.5 | 22.9 | 18.2 | - | | |
| | 62 | 36.0 | 2.1 | 36.0 | 36.0 | 34.6 | 30.1 | 25.5 | 20.9 | 33.8 | 2.5 | 33.8 | 33.8 | 32.7 | 28.1 | 23.4 | 18.7 | | |
| | 57 | 36.3 | 2.1 | 36.3 | 36.3 | 35.3 | 30.7 | 26.2 | 21.6 | 34.3 | 2.5 | 34.3 | 34.3 | 33.5 | 28.8 | 24.1 | 19.4 | | |
| 1350 | 72 | 41.7 | 2.1 | 33.3 | 28.1 | 22.8 | 17.6 | - | - | 40.2 | 2.5 | 32.5 | 27.2 | 22.0 | 16.7 | - | - | | |
| | 67 | 39.0 | 2.2 | 39.0 | 34.3 | 29.1 | 23.9 | 18.7 | - | 36.8 | 2.5 | 36.8 | 33.4 | 28.2 | 22.9 | 17.7 | - | | |
| | 62 | 36.5 | 2.0 | 36.5 | 36.5 | 35.9 | 30.7 | 25.4 | 20.2 | 33.9 | 2.5 | 33.9 | 33.9 | 33.4 | 28.2 | 22.9 | 17.7 | | |
| | 57 | 36.9 | 2.1 | 36.9 | 36.9 | 36.4 | 31.2 | 25.9 | 20.7 | 34.5 | 2.5 | 34.5 | 34.5 | 34.1 | 28.8 | 23.6 | 18.3 | | |
| 1500 | 72 | 42.4 | 2.0 | 35.5 | 29.6 | 23.7 | 17.9 | - | - | 40.5 | 2.5 | 34.1 | 28.3 | 22.5 | 16.7 | - | - | | |
| | 67 | 39.6 | 2.1 | 39.6 | 36.1 | 30.2 | 24.4 | 18.5 | - | 37.0 | 2.5 | 37.0 | 34.7 | 28.9 | 23.0 | 17.2 | - | | |
| | 62 | 37.1 | 2.0 | 37.1 | 37.1 | 37.1 | 31.3 | 25.4 | 19.5 | 34.1 | 2.5 | 34.1 | 34.1 | 34.1 | 28.3 | 22.5 | 16.6 | | |
| | 57 | 37.4 | 2.0 | 37.4 | 37.4 | 37.4 | 31.6 | 25.7 | 19.8 | 34.7 | 2.5 | 34.7 | 34.7 | 34.7 | 28.9 | 23.1 | 17.2 | | |
| | | | | 95°F | | | | | | | | 105°F | | | | | | | |
| 750 | 77 | 43.7 | 3.0 | 17.6 | 15.2 | 12.0 | - | - | - | 40.0 | 3.3 | 16.0 | 14.3 | 11.1 | - | - | - | | |
| | 72 | 39.4 | 2.9 | 23.5 | 20.2 | 16.9 | 13.7 | - | - | 36.2 | 3.3 | 22.5 | 19.2 | 15.9 | 12.7 | - | - | | |
| | 67 | 35.1 | 2.9 | 29.4 | 25.2 | 21.9 | 18.6 | 15.4 | - | 32.5 | 3.3 | 29.0 | 24.1 | 20.7 | 17.5 | 14.2 | - | | |
| | 62 | 31.9 | 3.0 | 31.9 | 30.2 | 24.9 | 21.7 | 18.4 | 15.2 | 30.0 | 3.4 | 30.0 | 28.9 | 23.4 | 20.1 | 16.8 | 13.6 | | |
| 900 | 77 | 43.6 | 3.0 | 20.5 | 16.7 | 12.9 | - | - | - | 39.7 | 3.3 | 19.5 | 15.7 | 12.0 | - | - | - | | |
| | 72 | 39.3 | 2.9 | 25.8 | 22.1 | 18.3 | 14.5 | - | - | 36.0 | 3.3 | 24.7 | 20.9 | 17.2 | 13.4 | - | - | | |
| | 67 | 35.0 | 2.8 | 31.2 | 27.4 | 23.6 | 19.9 | 16.1 | - | 32.2 | 3.3 | 29.9 | 26.2 | 22.4 | 18.6 | 14.9 | - | | |
| | 62 | 31.8 | 3.0 | 31.8 | 30.7 | 26.9 | 23.1 | 19.4 | 15.6 | 29.8 | 3.4 | 29.8 | 29.0 | 25.3 | 21.5 | 17.7 | 14.0 | | |
| | 57 | 32.6 | 3.0 | 32.6 | 31.4 | 27.6 | 23.9 | 20.1 | 16.3 | 30.6 | 3.4 | 30.6 | 29.5 | 25.8 | 22.0 | 18.3 | 14.5 | | |
| 1050 | 77 | 43.4 | 2.9 | 23.4 | 18.2 | 13.9 | - | - | - | 39.4 | 3.3 | 23.0 | 17.2 | 12.9 | - | - | - | | |
| | 72 | 39.2 | 2.9 | 28.2 | 23.9 | 19.6 | 15.3 | - | - | 35.7 | 3.3 | 26.9 | 22.7 | 18.5 | 14.2 | - | - | | |
| | 67 | 34.9 | 2.8 | 33.0 | 29.6 | 25.4 | 21.1 | 16.8 | - | 32.0 | 3.3 | 30.8 | 28.2 | 24.0 | 19.8 | 15.6 | - | | |
| | 62 | 31.6 | 3.0 | 31.6 | 31.1 | 28.9 | 24.6 | 20.3 | 16.1 | 29.5 | 3.4 | 29.5 | 29.2 | 27.1 | 22.9 | 18.6 | 14.4 | | |
| | 57 | 32.5 | 2.9 | 32.5 | 31.9 | 29.6 | 25.4 | 21.1 | 16.8 | 30.4 | 3.4 | 30.4 | 29.8 | 27.7 | 23.4 | 19.2 | 15.0 | | |
| 1200 | 77 | 43.3 | 2.9 | 26.3 | 19.6 | 14.8 | - | - | - | 39.1 | 3.3 | 26.6 | 18.6 | 13.8 | - | - | - | | |
| | 72 | 39.0 | 2.8 | 30.5 | 25.7 | 21.0 | 16.2 | - | - | 35.4 | 3.3 | 29.2 | 24.4 | 19.7 | 15.0 | - | - | | |
| | 67 | 34.8 | 2.7 | 34.8 | 31.9 | 27.1 | 22.3 | 17.5 | - | 31.8 | 3.3 | 31.8 | 30.3 | 25.7 | 21.0 | 16.3 | - | | |
| | 62 | 31.5 | 2.9 | 31.5 | 31.5 | 30.8 | 26.1 | 21.3 | 16.5 | 29.3 | 3.4 | 29.3 | 29.3 | 29.0 | 24.3 | 19.5 | 14.8 | | |
| | 57 | 32.4 | 2.9 | 32.4 | 32.4 | 31.7 | 26.9 | 22.1 | 17.3 | 30.1 | 3.4 | 30.1 | 30.1 | 29.6 | 24.8 | 20.1 | 15.4 | | |
| 1350 | 72 | 38.8 | 2.9 | 31.7 | 26.4 | 21.1 | 15.8 | - | - | 35.3 | 3.3 | 30.5 | 25.3 | 20.0 | 14.8 | - | - | | |
| | 67 | 34.5 | 2.8 | 34.5 | 32.6 | 27.3 | 22.0 | 16.7 | - | 31.6 | 3.3 | 31.6 | 30.7 | 26.1 | 20.8 | 15.6 | - | | |
| | 62 | 31.3 | 3.0 | 31.3 | 31.3 | 31.0 | 25.7 | 20.4 | 15.1 | 29.2 | 3.4 | 29.2 | 29.2 | 29.1 | 23.8 | 18.6 | 13.3 | | |
| | 57 | 32.2 | 2.9 | 32.2 | 32.2 | 31.8 | 26.5 | 21.3 | 16.0 | 30.0 | 3.4 | 30.0 | 30.0 | 29.7 | 24.5 | 19.3 | 14.0 | | |
| 1500 | 72 | 38.5 | 2.9 | 32.8 | 27.0 | 21.3 | 15.5 | - | - | 35.2 | 3.3 | 31.9 | 26.1 | 20.3 | 14.5 | - | - | | |
| | 67 | 34.3 | 2.9 | 34.3 | 33.3 | 27.5 | 21.7 | 15.9 | - | 31.5 | 3.3 | 31.5 | 31.0 | 26.5 | 20.7 | 14.9 | - | | |
| | 62 | 31.1 | 3.0 | 31.1 | 31.1 | 31.1 | 25.3 | 19.6 | 13.8 | 29.1 | 3.5 | 29.1 | 29.1 | 29.1 | 23.4 | 17.6 | 11.8 | | |
| | 57 | 32.0 | 3.0 | 32.0 | 32.0 | 32.0 | 26.2 | 20.4 | 14.6 | 29.9 | 3.4 | 29.9 | 29.9 | 29.9 | 24.2 | 18.4 | 12.6 | | |

DNZ036 (3.0 Ton) (Continued)

| Air on Evaporator Coil | | Temperature of Air on Condenser Coil | | | | | | | | | | | | | | | |
|------------------------|---------|--------------------------------------|-------------------------------|-------------------------|------|------|------|------|------|---------------------------------|-------------------------------|-------------------------|------|------|------|------|------|
| CFM | WB (°F) | Net Capacity ¹ (MBh) | Total Input (kW) ² | Sensible Capacity (MBh) | | | | | | Net Capacity ¹ (MBh) | Total Input (kW) ² | Sensible Capacity (MBh) | | | | | |
| | | | | Return Dry Bulb (°F) | | | | | | | | Return Dry Bulb (°F) | | | | | |
| | | | | 90 | 85 | 80 | 75 | 70 | 65 | | | 90 | 85 | 80 | 75 | 70 | 65 |
| | | | | 115°F | | | | | | 125°F | | | | | | | |
| 750 | 77 | 36.2 | 3.6 | 14.4 | 13.4 | 10.2 | - | - | - | 32.4 | 3.9 | 13.9 | 11.7 | 9.3 | - | - | - |
| | 72 | 33.0 | 3.7 | 21.5 | 18.2 | 14.9 | 11.6 | - | - | 29.8 | 4.1 | 20.5 | 17.2 | 13.9 | 10.6 | - | - |
| | 67 | 29.8 | 3.8 | 28.6 | 23.0 | 19.6 | 16.3 | 13.0 | - | 27.1 | 4.2 | 27.1 | 21.9 | 18.4 | 15.1 | 11.8 | - |
| | 62 | 28.1 | 3.8 | 28.1 | 27.5 | 21.8 | 18.6 | 15.3 | 12.0 | 26.2 | 4.3 | 26.2 | 26.1 | 20.3 | 17.0 | 13.7 | 10.4 |
| 900 | 77 | 35.8 | 3.6 | 18.5 | 14.8 | 11.0 | - | - | - | 31.9 | 4.0 | 18.3 | 13.8 | 10.1 | - | - | - |
| | 72 | 32.6 | 3.7 | 23.6 | 19.8 | 16.1 | 12.4 | - | - | 29.3 | 4.1 | 22.5 | 18.7 | 15.0 | 11.3 | - | - |
| | 67 | 29.4 | 3.8 | 28.6 | 24.9 | 21.2 | 17.4 | 13.7 | - | 26.6 | 4.3 | 26.6 | 23.7 | 19.9 | 16.2 | 12.5 | - |
| | 62 | 27.8 | 3.9 | 27.8 | 27.3 | 23.6 | 19.9 | 16.1 | 12.4 | 25.8 | 4.3 | 25.8 | 25.7 | 21.9 | 18.2 | 14.5 | 10.8 |
| | 57 | 28.5 | 3.8 | 28.5 | 27.6 | 23.9 | 20.2 | 16.4 | 12.7 | 26.5 | 4.2 | 26.5 | 25.8 | 22.0 | 18.3 | 14.6 | 10.9 |
| 1050 | 77 | 35.4 | 3.7 | 22.7 | 16.2 | 11.9 | - | - | - | 31.3 | 4.1 | 22.7 | 15.9 | 10.9 | - | - | - |
| | 72 | 32.2 | 3.8 | 25.7 | 21.5 | 17.3 | 13.1 | - | - | 28.7 | 4.2 | 24.4 | 20.3 | 16.1 | 12.0 | - | - |
| | 67 | 29.1 | 3.8 | 28.7 | 26.8 | 22.7 | 18.5 | 14.3 | - | 26.2 | 4.4 | 26.2 | 25.4 | 21.4 | 17.3 | 13.1 | - |
| | 62 | 27.4 | 3.9 | 27.4 | 27.2 | 25.4 | 21.2 | 17.0 | 12.8 | 25.3 | 4.4 | 25.3 | 25.3 | 23.6 | 19.4 | 15.3 | 11.1 |
| | 57 | 28.2 | 3.8 | 28.2 | 27.7 | 25.7 | 21.5 | 17.3 | 13.1 | 26.0 | 4.3 | 26.0 | 25.7 | 23.7 | 19.5 | 15.4 | 11.2 |
| 1200 | 77 | 34.9 | 3.7 | 26.9 | 17.6 | 12.7 | - | - | - | 30.8 | 4.1 | 27.1 | 18.0 | 11.6 | - | - | - |
| | 72 | 31.8 | 3.8 | 27.8 | 23.1 | 18.5 | 13.8 | - | - | 28.2 | 4.3 | 26.4 | 21.8 | 17.3 | 12.7 | - | - |
| | 67 | 28.7 | 3.9 | 28.7 | 28.7 | 24.3 | 19.7 | 15.0 | - | 25.7 | 4.4 | 25.7 | 25.7 | 22.9 | 18.3 | 13.8 | - |
| | 62 | 27.1 | 3.9 | 27.1 | 27.1 | 27.1 | 22.5 | 17.8 | 13.2 | 24.9 | 4.4 | 24.9 | 24.9 | 24.9 | 20.7 | 16.1 | 11.5 |
| | 57 | 27.8 | 3.9 | 27.8 | 27.8 | 27.5 | 22.8 | 18.2 | 13.5 | 25.6 | 4.4 | 25.6 | 25.6 | 25.4 | 20.8 | 16.2 | 11.6 |
| 1350 | 72 | 31.9 | 3.8 | 29.3 | 24.1 | 18.9 | 13.7 | - | - | 28.4 | 4.2 | 28.2 | 23.0 | 17.8 | 12.7 | - | - |
| | 67 | 28.8 | 3.9 | 28.8 | 28.8 | 24.9 | 19.7 | 14.5 | - | 25.9 | 4.4 | 25.9 | 25.9 | 23.7 | 18.5 | 13.3 | - |
| | 62 | 27.1 | 3.9 | 27.1 | 27.1 | 27.1 | 21.9 | 16.7 | 11.5 | 25.0 | 4.4 | 25.0 | 25.0 | 25.0 | 20.0 | 14.9 | 9.7 |
| | 57 | 27.9 | 3.8 | 27.9 | 27.9 | 27.7 | 22.5 | 17.3 | 12.0 | 25.7 | 4.3 | 25.7 | 25.7 | 25.6 | 20.4 | 15.3 | 10.1 |
| 1500 | 72 | 31.9 | 3.7 | 30.9 | 25.1 | 19.4 | 13.6 | - | - | 28.6 | 4.2 | 28.6 | 24.2 | 18.4 | 12.6 | - | - |
| | 67 | 28.8 | 3.8 | 28.8 | 28.8 | 25.4 | 19.7 | 13.9 | - | 26.0 | 4.3 | 26.0 | 26.0 | 24.4 | 18.6 | 12.9 | - |
| | 62 | 27.1 | 3.9 | 27.1 | 27.1 | 27.1 | 21.4 | 15.6 | 9.8 | 25.2 | 4.3 | 25.2 | 25.2 | 25.2 | 19.4 | 13.6 | 7.9 |
| | 57 | 27.9 | 3.8 | 27.9 | 27.9 | 27.9 | 22.1 | 16.3 | 10.6 | 25.8 | 4.3 | 25.8 | 25.8 | 25.8 | 20.1 | 14.3 | 8.5 |

1. These capacities are Net Capacities.
2. These ratings include the compressor, condenser fan and supply air blower motors.

DNZ042 (3.5 Ton)

| Air on Evaporator Coil | | Temperature of Air on Condenser Coil | | | | | | | | | | | | | | | | | |
|------------------------|---------|--------------------------------------|-------------------------------|-------------------------|------|------|------|------|------|---------------------------------|-------------------------------|-------------------------|------|------|------|------|------|--|--|
| CFM | WB (°F) | Net Capacity ¹ (MBh) | Total Input (kW) ² | Sensible Capacity (MBh) | | | | | | Net Capacity ¹ (MBh) | Total Input (kW) ² | Sensible Capacity (MBh) | | | | | | | |
| | | | | Return Dry Bulb (°F) | | | | | | | | Return Dry Bulb (°F) | | | | | | | |
| | | | | 90 | 85 | 80 | 75 | 70 | 65 | | | 90 | 85 | 80 | 75 | 70 | 65 | | |
| | | | | 75°F | | | | | | | | 85°F | | | | | | | |
| 875 | 77 | 46.4 | 2.7 | 21.7 | 16.7 | 12.9 | - | - | - | 45.8 | 2.9 | 20.8 | 16.8 | 12.9 | - | - | - | | |
| | 72 | 44.6 | 2.6 | 27.5 | 23.6 | 19.8 | 15.9 | - | - | 42.9 | 2.9 | 27.0 | 23.1 | 19.1 | 15.2 | - | - | | |
| | 67 | 42.8 | 2.6 | 33.3 | 30.5 | 26.7 | 22.8 | 18.9 | - | 39.9 | 2.9 | 33.2 | 29.3 | 25.4 | 21.5 | 17.5 | - | | |
| | 62 | 39.1 | 2.5 | 39.1 | 39.1 | 32.1 | 28.2 | 24.4 | 20.5 | 36.5 | 2.8 | 36.5 | 36.5 | 30.4 | 26.4 | 22.5 | 18.6 | | |
| 1050 | 57 | 48.9 | 2.7 | 23.1 | 18.7 | 14.3 | - | - | - | 48.1 | 3.0 | 23.4 | 18.9 | 14.4 | - | - | - | | |
| | 77 | 47.0 | 2.7 | 30.8 | 26.4 | 22.0 | 17.6 | - | - | 45.0 | 2.9 | 30.4 | 25.9 | 21.4 | 16.8 | - | - | | |
| | 72 | 45.0 | 2.6 | 38.5 | 34.1 | 29.7 | 25.3 | 20.9 | - | 41.9 | 2.9 | 37.3 | 32.8 | 28.3 | 23.8 | 19.3 | - | | |
| | 67 | 41.2 | 2.6 | 41.2 | 41.2 | 35.8 | 31.4 | 27.0 | 22.6 | 38.4 | 2.8 | 38.4 | 38.4 | 33.9 | 29.4 | 24.8 | 20.3 | | |
| 1225 | 62 | 40.1 | 2.5 | 40.1 | 40.1 | 36.4 | 32.0 | 27.6 | 23.2 | 37.5 | 2.8 | 37.5 | 37.5 | 33.7 | 29.2 | 24.7 | 20.2 | | |
| | 57 | 51.4 | 2.7 | 24.5 | 20.7 | 15.8 | - | - | - | 50.4 | 3.0 | 26.1 | 21.0 | 15.9 | - | - | - | | |
| | 77 | 49.3 | 2.7 | 34.1 | 29.2 | 24.3 | 19.4 | - | - | 47.2 | 2.9 | 33.8 | 28.7 | 23.6 | 18.5 | - | - | | |
| | 72 | 47.3 | 2.6 | 43.6 | 37.6 | 32.7 | 27.8 | 22.9 | - | 43.9 | 2.9 | 41.4 | 36.4 | 31.3 | 26.2 | 21.1 | - | | |
| 1400 | 67 | 43.3 | 2.6 | 43.3 | 43.3 | 39.4 | 34.5 | 29.6 | 24.7 | 40.2 | 2.8 | 40.2 | 40.2 | 37.4 | 32.3 | 27.2 | 22.1 | | |
| | 62 | 42.1 | 2.6 | 42.1 | 42.1 | 40.1 | 35.2 | 30.3 | 25.4 | 39.3 | 2.8 | 39.3 | 39.3 | 37.2 | 32.2 | 27.1 | 22.0 | | |
| | 57 | 53.8 | 2.7 | 25.9 | 22.7 | 17.3 | - | - | - | 52.7 | 3.0 | 28.7 | 23.1 | 17.4 | - | - | - | | |
| | 72 | 51.7 | 2.7 | 37.3 | 31.9 | 26.5 | 21.1 | - | - | 49.3 | 2.9 | 37.1 | 31.5 | 25.8 | 20.1 | - | - | | |
| 1515 | 67 | 49.5 | 2.7 | 48.8 | 41.2 | 35.8 | 30.4 | 24.9 | - | 45.9 | 2.9 | 45.5 | 39.9 | 34.2 | 28.5 | 22.9 | - | | |
| | 62 | 45.3 | 2.6 | 45.3 | 45.3 | 43.1 | 37.7 | 32.3 | 26.8 | 42.0 | 2.8 | 42.0 | 42.0 | 40.9 | 35.2 | 29.5 | 23.9 | | |
| | 57 | 44.2 | 2.6 | 44.2 | 44.2 | 43.8 | 38.4 | 33.0 | 27.6 | 41.1 | 2.8 | 41.1 | 41.1 | 40.7 | 35.1 | 29.4 | 23.7 | | |
| | 72 | 51.7 | 2.7 | 38.5 | 32.8 | 27.1 | 21.4 | - | - | 49.5 | 3.0 | 38.7 | 32.7 | 26.7 | 20.6 | - | - | | |
| 1630 | 67 | 49.5 | 2.7 | 49.2 | 42.3 | 36.6 | 30.8 | 25.1 | - | 46.1 | 2.9 | 45.9 | 41.4 | 35.4 | 29.3 | 23.3 | - | | |
| | 62 | 45.4 | 2.6 | 45.4 | 45.4 | 44.2 | 38.5 | 32.8 | 27.0 | 42.2 | 2.9 | 42.2 | 42.2 | 41.6 | 35.6 | 29.6 | 23.5 | | |
| | 57 | 44.2 | 2.6 | 44.2 | 44.2 | 44.0 | 38.3 | 32.5 | 26.8 | 41.2 | 2.8 | 41.2 | 41.2 | 41.0 | 35.0 | 29.0 | 23.0 | | |
| | 72 | 51.7 | 2.7 | 39.7 | 33.7 | 27.7 | 21.6 | - | - | 49.6 | 3.0 | 40.3 | 33.9 | 27.5 | 21.2 | - | - | | |
| 875 | 67 | 49.6 | 2.7 | 49.6 | 43.4 | 37.4 | 31.3 | 25.3 | - | 46.2 | 2.9 | 46.2 | 42.9 | 36.5 | 30.1 | 23.8 | - | | |
| | 62 | 45.4 | 2.6 | 45.4 | 45.4 | 45.4 | 39.3 | 33.3 | 27.3 | 42.3 | 2.9 | 42.3 | 42.3 | 42.3 | 35.9 | 29.6 | 23.2 | | |
| | 57 | 44.2 | 2.6 | 44.2 | 44.2 | 44.2 | 38.1 | 32.1 | 26.1 | 41.3 | 2.8 | 41.3 | 41.3 | 41.3 | 35.0 | 28.6 | 22.2 | | |
| | 72 | 51.7 | 2.7 | 39.7 | 33.7 | 27.7 | 21.6 | - | - | 49.6 | 3.0 | 40.3 | 33.9 | 27.5 | 21.2 | - | - | | |
| | | | | 95°F | | | | | | | | 105°F | | | | | | | |
| 875 | 77 | 45.2 | 3.2 | 19.8 | 16.9 | 12.9 | - | - | - | 42.2 | 3.5 | 19.4 | 15.4 | 11.9 | - | - | - | | |
| | 72 | 41.1 | 3.1 | 26.5 | 22.5 | 18.5 | 14.5 | - | - | 37.7 | 3.4 | 25.4 | 21.3 | 17.2 | 13.1 | - | - | | |
| | 67 | 37.0 | 3.1 | 33.2 | 28.1 | 24.1 | 20.1 | 16.1 | - | 33.3 | 3.3 | 31.4 | 27.2 | 22.5 | 18.4 | 14.4 | - | | |
| | 62 | 33.9 | 3.0 | 33.9 | 33.9 | 28.6 | 24.6 | 20.6 | 16.6 | 32.4 | 3.3 | 32.4 | 32.4 | 26.7 | 22.6 | 18.5 | 14.4 | | |
| 1050 | 57 | 47.3 | 3.2 | 23.7 | 19.1 | 14.4 | - | - | - | 44.0 | 3.5 | 24.2 | 18.1 | 13.4 | - | - | - | | |
| | 77 | 43.1 | 3.2 | 30.0 | 25.3 | 20.7 | 16.1 | - | - | 39.4 | 3.4 | 28.9 | 24.1 | 19.4 | 14.7 | - | - | | |
| | 72 | 38.8 | 3.1 | 36.2 | 31.6 | 26.9 | 22.3 | 17.7 | - | 34.8 | 3.3 | 33.5 | 30.1 | 25.4 | 20.6 | 15.9 | - | | |
| | 67 | 35.5 | 3.1 | 35.5 | 35.5 | 32.0 | 27.3 | 22.7 | 18.0 | 33.9 | 3.3 | 33.9 | 33.9 | 30.0 | 25.3 | 20.6 | 15.8 | | |
| 1225 | 62 | 34.9 | 3.1 | 34.9 | 34.9 | 31.1 | 26.5 | 21.8 | 17.2 | 32.2 | 3.3 | 32.2 | 32.2 | 28.3 | 23.5 | 18.8 | 14.1 | | |
| | 57 | 49.5 | 3.2 | 27.7 | 21.3 | 16.0 | - | - | - | 45.9 | 3.5 | 29.1 | 20.9 | 14.9 | - | - | - | | |
| | 77 | 45.0 | 3.2 | 33.5 | 28.2 | 22.9 | 17.6 | - | - | 41.1 | 3.4 | 32.3 | 27.0 | 21.6 | 16.2 | - | - | | |
| | 72 | 40.5 | 3.1 | 39.3 | 35.1 | 29.8 | 24.5 | 19.2 | - | 36.3 | 3.4 | 35.6 | 33.0 | 28.2 | 22.8 | 17.4 | - | | |
| 1400 | 67 | 37.1 | 3.1 | 37.1 | 37.1 | 35.3 | 30.0 | 24.8 | 19.5 | 35.3 | 3.3 | 35.3 | 35.3 | 33.4 | 28.0 | 22.6 | 17.2 | | |
| | 62 | 36.4 | 3.1 | 36.4 | 36.4 | 34.4 | 29.1 | 23.8 | 18.6 | 33.6 | 3.3 | 33.6 | 33.6 | 31.4 | 26.0 | 20.6 | 15.2 | | |
| | 57 | 51.6 | 3.3 | 31.6 | 23.4 | 17.5 | - | - | - | 47.8 | 3.5 | 33.9 | 23.7 | 16.4 | - | - | - | | |
| | 72 | 46.9 | 3.2 | 36.9 | 31.0 | 25.1 | 19.1 | - | - | 42.8 | 3.5 | 35.8 | 29.8 | 23.7 | 17.7 | - | - | | |
| 1515 | 67 | 42.3 | 3.1 | 42.3 | 38.6 | 32.6 | 26.7 | 20.8 | - | 37.8 | 3.4 | 37.8 | 35.9 | 31.0 | 25.0 | 18.9 | - | | |
| | 62 | 38.7 | 3.1 | 38.7 | 38.7 | 38.7 | 32.8 | 26.8 | 20.9 | 36.8 | 3.3 | 36.8 | 36.8 | 36.8 | 30.7 | 24.7 | 18.6 | | |
| | 57 | 38.0 | 3.1 | 38.0 | 38.0 | 37.7 | 31.8 | 25.8 | 19.9 | 34.9 | 3.3 | 34.9 | 34.9 | 34.6 | 28.5 | 22.5 | 16.4 | | |
| | 72 | 47.3 | 3.2 | 38.9 | 32.5 | 26.2 | 19.9 | - | - | 43.1 | 3.5 | 37.7 | 31.3 | 24.8 | 18.3 | - | - | | |
| 1630 | 67 | 42.6 | 3.2 | 42.6 | 40.5 | 34.1 | 27.8 | 21.5 | - | 38.0 | 3.4 | 38.0 | 37.0 | 32.4 | 26.0 | 19.5 | - | | |
| | 62 | 39.0 | 3.1 | 39.0 | 39.0 | 39.0 | 32.7 | 26.3 | 20.0 | 37.0 | 3.3 | 37.0 | 37.0 | 37.0 | 30.6 | 24.1 | 17.7 | | |
| | 57 | 38.3 | 3.1 | 38.3 | 38.3 | 38.1 | 31.8 | 25.5 | 19.2 | 35.2 | 3.3 | 35.2 | 35.2 | 35.0 | 28.6 | 22.1 | 15.6 | | |
| | 72 | 47.6 | 3.2 | 40.8 | 34.1 | 27.4 | 20.7 | - | - | 43.4 | 3.5 | 39.6 | 32.8 | 25.9 | 19.0 | - | - | | |
| 875 | 67 | 42.9 | 3.2 | 42.9 | 42.4 | 35.7 | 29.0 | 22.3 | - | 38.3 | 3.4 | 38.3 | 38.1 | 33.8 | 27.0 | 20.1 | - | | |
| | 62 | 39.2 | 3.1 | 39.2 | 39.2 | 39.2 | 32.5 | 25.8 | 19.1 | 37.3 | 3.4 | 37.3 | 37.3 | 37.3 | 30.4 | 23.6 | 16.7 | | |
| | 57 | 38.5 | 3.1 | 38.5 | 38.5 | 38.5 | 31.8 | 25.1 | 18.4 | 35.5 | 3.4 | 35.5 | 35.5 | 35.5 | 28.6 | 21.7 | 14.8 | | |
| | 72 | 47.6 | 3.2 | 40.8 | 34.1 | 27.4 | 20.7 | - | - | 43.4 | 3.5 | 39.6 | 32.8 | 25.9 | 19.0 | - | - | | |

DNZ042 (3.5 Ton) (Continued)

| Air on Evaporator Coil | | Temperature of Air on Condenser Coil | | | | | | | | | | | | | | | |
|------------------------|---------|--------------------------------------|-------------------------------|-------------------------|------|------|------|------|------|---------------------------------|-------------------------------|-------------------------|------|------|------|------|------|
| CFM | WB (°F) | Net Capacity ¹ (MBh) | Total Input (kW) ² | Sensible Capacity (MBh) | | | | | | Net Capacity ¹ (MBh) | Total Input (kW) ² | Sensible Capacity (MBh) | | | | | |
| | | | | Return Dry Bulb (°F) | | | | | | | | Return Dry Bulb (°F) | | | | | |
| | | | | 90 | 85 | 80 | 75 | 70 | 65 | | | 90 | 85 | 80 | 75 | 70 | 65 |
| | | | | 115°F | | | | | | 125°F | | | | | | | |
| 875 | 77 | 39.1 | 3.8 | 18.9 | 13.9 | 10.9 | - | - | - | 36.1 | 4.1 | 20.4 | 11.9 | 9.9 | - | - | - |
| | 72 | 34.3 | 3.7 | 24.2 | 20.1 | 15.9 | 11.8 | - | - | 31.0 | 3.9 | 23.1 | 18.9 | 14.6 | 10.4 | - | - |
| | 67 | 29.6 | 3.6 | 29.6 | 26.3 | 20.9 | 16.8 | 12.6 | - | 25.8 | 3.8 | 25.8 | 25.8 | 19.3 | 15.1 | 10.9 | - |
| | 62 | 31.0 | 3.5 | 31.0 | 31.0 | 24.8 | 20.6 | 16.4 | 12.3 | 29.5 | 3.8 | 29.5 | 29.5 | 22.9 | 18.6 | 14.4 | 10.1 |
| 1050 | 57 | 40.7 | 3.8 | 24.7 | 17.2 | 12.4 | - | - | - | 37.5 | 4.1 | 26.4 | 16.6 | 11.4 | - | - | - |
| | 77 | 35.8 | 3.7 | 27.7 | 22.9 | 18.1 | 13.2 | - | - | 32.1 | 3.9 | 26.6 | 21.7 | 16.8 | 11.8 | - | - |
| | 72 | 30.8 | 3.6 | 30.8 | 28.6 | 23.8 | 18.9 | 14.1 | - | 26.8 | 3.8 | 26.8 | 26.8 | 22.2 | 17.3 | 12.3 | - |
| | 67 | 32.3 | 3.5 | 32.3 | 32.3 | 28.1 | 23.3 | 18.5 | 13.6 | 30.7 | 3.8 | 30.7 | 30.7 | 26.2 | 21.3 | 16.4 | 11.4 |
| 62 | 29.5 | 3.6 | 29.5 | 29.5 | 25.4 | 20.6 | 15.7 | 10.9 | 26.9 | 3.8 | 26.9 | 26.9 | 22.5 | 17.6 | 12.7 | 7.8 | |
| 1225 | 57 | 42.4 | 3.8 | 30.5 | 20.6 | 13.9 | - | - | - | 38.8 | 4.1 | 32.5 | 21.3 | 12.8 | - | - | - |
| | 77 | 37.2 | 3.7 | 31.2 | 25.7 | 20.2 | 14.7 | - | - | 33.3 | 4.0 | 30.1 | 24.5 | 18.9 | 13.3 | - | - |
| | 72 | 32.0 | 3.6 | 32.0 | 30.9 | 26.6 | 21.1 | 15.6 | - | 27.7 | 3.8 | 27.7 | 27.7 | 25.0 | 19.4 | 13.8 | - |
| | 67 | 33.6 | 3.6 | 33.6 | 33.6 | 31.5 | 26.0 | 20.5 | 15.0 | 31.8 | 3.8 | 31.8 | 31.8 | 29.6 | 24.0 | 18.3 | 12.7 |
| 62 | 30.7 | 3.6 | 30.7 | 30.7 | 28.4 | 22.9 | 17.4 | 11.9 | 27.8 | 3.8 | 27.8 | 27.8 | 25.4 | 19.8 | 14.2 | 8.6 | |
| 1400 | 57 | 44.0 | 3.8 | 36.2 | 23.9 | 15.3 | - | - | - | 40.2 | 4.1 | 38.5 | 26.0 | 14.3 | - | - | - |
| | 72 | 38.6 | 3.7 | 34.7 | 28.6 | 22.4 | 16.2 | - | - | 34.4 | 4.0 | 33.6 | 27.3 | 21.1 | 14.8 | - | - |
| | 67 | 33.2 | 3.6 | 33.2 | 33.2 | 29.4 | 23.3 | 17.1 | - | 28.7 | 3.8 | 28.7 | 28.7 | 27.8 | 21.6 | 15.3 | - |
| | 62 | 34.8 | 3.6 | 34.8 | 34.8 | 34.8 | 28.7 | 22.5 | 16.3 | 32.9 | 3.8 | 32.9 | 32.9 | 32.9 | 26.6 | 20.3 | 14.1 |
| 57 | 31.9 | 3.6 | 31.9 | 31.9 | 31.5 | 25.3 | 19.1 | 13.0 | 28.8 | 3.8 | 28.8 | 28.8 | 28.3 | 22.1 | 15.8 | 9.5 | |
| 1515 | 72 | 38.9 | 3.7 | 36.6 | 30.0 | 23.4 | 16.8 | - | - | 34.7 | 4.0 | 34.7 | 28.7 | 22.0 | 15.2 | - | - |
| | 67 | 33.5 | 3.6 | 33.5 | 33.5 | 30.7 | 24.1 | 17.5 | - | 29.0 | 3.9 | 29.0 | 29.0 | 29.0 | 22.3 | 15.5 | - |
| | 62 | 35.1 | 3.6 | 35.1 | 35.1 | 35.1 | 28.5 | 21.9 | 15.3 | 33.2 | 3.8 | 33.2 | 33.2 | 33.2 | 26.4 | 19.7 | 12.9 |
| | 57 | 32.1 | 3.6 | 32.1 | 32.1 | 31.9 | 25.3 | 18.7 | 12.1 | 29.1 | 3.8 | 29.1 | 29.1 | 28.8 | 22.1 | 15.3 | 8.5 |
| 1630 | 72 | 39.2 | 3.7 | 38.5 | 31.4 | 24.4 | 17.3 | - | - | 35.0 | 4.0 | 35.0 | 30.1 | 22.9 | 15.6 | - | - |
| | 67 | 33.8 | 3.6 | 33.8 | 33.8 | 32.0 | 25.0 | 17.9 | - | 29.2 | 3.9 | 29.2 | 29.2 | 29.2 | 23.0 | 15.8 | - |
| | 62 | 35.4 | 3.6 | 35.4 | 35.4 | 35.4 | 28.3 | 21.3 | 14.2 | 33.5 | 3.9 | 33.5 | 33.5 | 33.5 | 26.2 | 19.0 | 11.8 |
| | 57 | 32.4 | 3.6 | 32.4 | 32.4 | 32.4 | 25.3 | 18.3 | 11.2 | 29.3 | 3.9 | 29.3 | 29.3 | 29.3 | 22.1 | 14.8 | 7.6 |

1. These capacities are Net Capacities.
2. These ratings include the compressor, condenser fan and supply air blower motors.

DNZ048 (4.0 Ton)

| Air on Evaporator Coil | | Temperature of Air on Condenser Coil | | | | | | | | | | | | | | | |
|------------------------|---------|--------------------------------------|-------------------------------|-------------------------|------|------|------|------|------|---------------------------------|-------------------------------|-------------------------|------|------|------|------|------|
| CFM | WB (°F) | Net Capacity ¹ (MBh) | Total Input (kW) ² | Sensible Capacity (MBh) | | | | | | Net Capacity ¹ (MBh) | Total Input (kW) ² | Sensible Capacity (MBh) | | | | | |
| | | | | Return Dry Bulb (°F) | | | | | | | | Return Dry Bulb (°F) | | | | | |
| | | | | 90 | 85 | 80 | 75 | 70 | 65 | | | 90 | 85 | 80 | 75 | 70 | 65 |
| | | | | 75°F | | | | | | 85°F | | | | | | | |
| 1000 | 77 | 53.0 | 2.7 | 26.5 | 21.2 | 16.8 | - | - | - | 52.6 | 3.1 | 24.9 | 20.8 | 16.3 | - | - | - |
| | 72 | 50.4 | 2.7 | 32.3 | 27.9 | 23.5 | 19.1 | - | - | 49.3 | 3.1 | 31.8 | 27.4 | 22.9 | 18.4 | - | - |
| | 67 | 47.8 | 2.7 | 38.1 | 34.6 | 30.2 | 25.8 | 21.4 | - | 46.0 | 3.1 | 38.8 | 33.9 | 29.5 | 25.0 | 20.5 | - |
| | 62 | 43.4 | 2.7 | 43.4 | 40.9 | 34.6 | 30.2 | 25.8 | 21.4 | 41.8 | 3.1 | 41.8 | 40.5 | 33.7 | 29.3 | 24.8 | 20.3 |
| 1200 | 77 | 55.6 | 2.7 | 28.7 | 23.6 | 18.6 | - | - | - | 54.5 | 3.2 | 28.3 | 23.2 | 18.0 | - | - | - |
| | 72 | 52.8 | 2.7 | 36.2 | 31.1 | 26.0 | 20.9 | - | - | 51.0 | 3.1 | 35.6 | 30.4 | 25.3 | 20.1 | - | - |
| | 67 | 50.1 | 2.7 | 43.6 | 38.5 | 33.4 | 28.4 | 23.3 | - | 47.6 | 3.1 | 42.9 | 37.7 | 32.5 | 27.4 | 22.2 | - |
| | 62 | 45.5 | 2.7 | 45.5 | 43.8 | 38.3 | 33.2 | 28.1 | 23.0 | 43.3 | 3.1 | 43.3 | 42.4 | 37.3 | 32.1 | 26.9 | 21.8 |
| | 57 | 44.1 | 2.7 | 44.1 | 44.1 | 40.0 | 34.9 | 29.9 | 24.8 | 42.6 | 3.1 | 42.6 | 42.6 | 38.1 | 33.0 | 27.8 | 22.7 |
| 1400 | 77 | 58.1 | 2.8 | 30.9 | 26.1 | 20.3 | - | - | - | 56.4 | 3.2 | 31.8 | 25.5 | 19.7 | - | - | - |
| | 72 | 55.3 | 2.8 | 40.0 | 34.3 | 28.5 | 22.7 | - | - | 52.8 | 3.2 | 39.3 | 33.5 | 27.6 | 21.8 | - | - |
| | 67 | 52.4 | 2.7 | 49.1 | 42.4 | 36.7 | 30.9 | 25.1 | - | 49.3 | 3.1 | 46.9 | 41.4 | 35.6 | 29.7 | 23.9 | - |
| | 62 | 47.6 | 2.8 | 47.6 | 46.7 | 42.0 | 36.2 | 30.4 | 24.7 | 44.8 | 3.1 | 44.8 | 44.4 | 40.8 | 34.9 | 29.1 | 23.2 |
| | 57 | 46.1 | 2.7 | 46.1 | 46.1 | 43.9 | 38.1 | 32.4 | 26.6 | 44.0 | 3.1 | 44.0 | 44.0 | 41.7 | 35.9 | 30.0 | 24.2 |
| 1600 | 77 | 60.7 | 2.8 | 33.1 | 28.6 | 22.1 | - | - | - | 58.3 | 3.2 | 35.2 | 27.9 | 21.4 | - | - | - |
| | 72 | 57.7 | 2.8 | 43.9 | 37.4 | 31.0 | 24.6 | - | - | 54.6 | 3.2 | 43.1 | 36.6 | 30.0 | 23.5 | - | - |
| | 67 | 54.7 | 2.8 | 54.7 | 46.3 | 39.9 | 33.4 | 27.0 | - | 50.9 | 3.2 | 50.9 | 45.2 | 38.7 | 32.1 | 25.6 | - |
| | 62 | 49.6 | 2.8 | 49.6 | 49.6 | 45.7 | 39.2 | 32.8 | 26.3 | 46.3 | 3.2 | 46.3 | 46.3 | 44.3 | 37.8 | 31.2 | 24.7 |
| | 57 | 48.1 | 2.7 | 48.1 | 48.1 | 47.7 | 41.3 | 34.9 | 28.4 | 45.5 | 3.1 | 45.5 | 45.5 | 45.3 | 38.8 | 32.3 | 25.7 |
| 1750 | 72 | 56.9 | 2.8 | 45.7 | 38.8 | 32.0 | 25.1 | - | - | 54.1 | 3.2 | 45.0 | 38.0 | 30.9 | 23.9 | - | - |
| | 67 | 53.9 | 2.8 | 53.9 | 48.2 | 41.1 | 34.2 | 27.3 | - | 50.5 | 3.1 | 50.5 | 46.9 | 39.8 | 32.8 | 25.8 | - |
| | 62 | 49.0 | 2.8 | 49.0 | 49.0 | 47.0 | 40.1 | 33.2 | 26.3 | 45.9 | 3.2 | 45.9 | 45.9 | 44.9 | 37.9 | 30.9 | 23.9 |
| | 57 | 47.5 | 2.7 | 47.5 | 47.5 | 47.3 | 40.4 | 33.5 | 26.6 | 45.1 | 3.1 | 45.1 | 45.1 | 45.1 | 38.1 | 31.0 | 24.0 |
| 1900 | 72 | 56.1 | 2.8 | 47.6 | 40.2 | 32.9 | 25.6 | - | - | 53.7 | 3.2 | 46.8 | 39.3 | 31.9 | 24.4 | - | - |
| | 67 | 53.2 | 2.7 | 53.2 | 50.0 | 42.3 | 35.0 | 27.7 | - | 50.1 | 3.1 | 50.1 | 48.5 | 41.0 | 33.6 | 26.1 | - |
| | 62 | 48.3 | 2.8 | 48.3 | 48.3 | 48.3 | 41.0 | 33.7 | 26.3 | 45.5 | 3.1 | 45.5 | 45.5 | 45.5 | 38.0 | 30.6 | 23.1 |
| | 57 | 46.8 | 2.7 | 46.8 | 46.8 | 46.8 | 39.5 | 32.2 | 24.8 | 44.8 | 3.1 | 44.8 | 44.8 | 44.8 | 37.3 | 29.8 | 22.3 |
| | | | | 95°F | | | | | | 105°F | | | | | | | |
| 1000 | 77 | 52.1 | 3.6 | 23.2 | 20.4 | 15.8 | - | - | - | 49.1 | 4.1 | 21.6 | 19.7 | 15.2 | - | - | - |
| | 72 | 48.1 | 3.5 | 31.3 | 26.8 | 22.3 | 17.7 | - | - | 45.2 | 4.1 | 30.3 | 25.8 | 21.4 | 16.9 | - | - |
| | 67 | 44.1 | 3.5 | 39.5 | 33.2 | 28.7 | 24.2 | 19.6 | - | 41.4 | 4.1 | 39.0 | 32.0 | 27.5 | 23.1 | 18.6 | - |
| | 62 | 40.1 | 3.5 | 40.1 | 40.1 | 32.9 | 28.3 | 23.8 | 19.3 | 38.1 | 4.1 | 38.1 | 38.1 | 31.2 | 26.8 | 22.3 | 17.8 |
| 1200 | 77 | 53.4 | 3.6 | 27.9 | 22.7 | 17.4 | - | - | - | 50.1 | 4.1 | 27.1 | 21.9 | 16.7 | - | - | - |
| | 72 | 49.3 | 3.5 | 35.0 | 29.8 | 24.5 | 19.3 | - | - | 46.2 | 4.1 | 33.9 | 28.7 | 23.5 | 18.3 | - | - |
| | 67 | 45.2 | 3.5 | 42.1 | 36.9 | 31.6 | 26.4 | 21.1 | - | 42.3 | 4.1 | 40.7 | 35.5 | 30.3 | 25.1 | 19.9 | - |
| | 62 | 41.0 | 3.5 | 41.0 | 41.0 | 36.2 | 31.0 | 25.8 | 20.5 | 38.9 | 4.1 | 38.9 | 38.9 | 34.3 | 29.1 | 23.9 | 18.7 |
| | 57 | 41.1 | 3.5 | 41.1 | 41.1 | 36.3 | 31.0 | 25.8 | 20.5 | 39.3 | 4.1 | 39.3 | 39.3 | 34.5 | 29.3 | 24.1 | 18.9 |
| 1400 | 77 | 54.6 | 3.6 | 32.6 | 25.0 | 19.0 | - | - | - | 51.1 | 4.1 | 32.6 | 24.1 | 18.2 | - | - | - |
| | 72 | 50.4 | 3.6 | 38.6 | 32.7 | 26.8 | 20.9 | - | - | 47.2 | 4.1 | 37.5 | 31.5 | 25.6 | 19.7 | - | - |
| | 67 | 46.2 | 3.5 | 44.7 | 40.5 | 34.5 | 28.6 | 22.7 | - | 43.2 | 4.1 | 42.4 | 38.9 | 33.0 | 27.1 | 21.1 | - |
| | 62 | 42.0 | 3.5 | 42.0 | 42.0 | 39.6 | 33.7 | 27.7 | 21.8 | 39.7 | 4.1 | 39.7 | 39.7 | 37.4 | 31.5 | 25.6 | 19.6 |
| | 57 | 42.0 | 3.5 | 42.0 | 42.0 | 39.6 | 33.7 | 27.7 | 21.8 | 40.1 | 4.1 | 40.1 | 40.1 | 37.6 | 31.6 | 25.7 | 19.8 |
| 1600 | 77 | 55.8 | 3.6 | 37.4 | 27.3 | 20.7 | - | - | - | 52.2 | 4.1 | 38.1 | 26.4 | 19.7 | - | - | - |
| | 72 | 51.5 | 3.6 | 42.3 | 35.7 | 29.1 | 22.4 | - | - | 48.1 | 4.1 | 41.1 | 34.4 | 27.7 | 21.1 | - | - |
| | 67 | 47.2 | 3.5 | 47.2 | 44.1 | 37.5 | 30.8 | 24.2 | - | 44.1 | 4.1 | 44.1 | 42.4 | 35.7 | 29.1 | 22.4 | - |
| | 62 | 42.9 | 3.5 | 42.9 | 42.9 | 42.9 | 36.3 | 29.7 | 23.1 | 40.5 | 4.1 | 40.5 | 40.5 | 40.5 | 33.8 | 27.2 | 20.5 |
| | 57 | 42.9 | 3.5 | 42.9 | 42.9 | 42.9 | 36.3 | 29.7 | 23.1 | 40.9 | 4.1 | 40.9 | 40.9 | 40.7 | 34.0 | 27.4 | 20.7 |
| 1750 | 72 | 51.4 | 3.6 | 44.2 | 37.1 | 29.9 | 22.8 | - | - | 48.0 | 4.1 | 43.1 | 36.0 | 28.8 | 21.7 | - | - |
| | 67 | 47.1 | 3.5 | 47.1 | 45.5 | 38.6 | 31.5 | 24.4 | - | 43.9 | 4.1 | 43.9 | 43.1 | 37.2 | 30.0 | 22.8 | - |
| | 62 | 42.8 | 3.5 | 42.8 | 42.8 | 42.8 | 35.7 | 28.6 | 21.4 | 40.4 | 4.0 | 40.4 | 40.4 | 40.4 | 33.2 | 26.0 | 18.9 |
| | 57 | 42.8 | 3.5 | 42.8 | 42.8 | 42.8 | 35.7 | 28.6 | 21.5 | 40.8 | 4.1 | 40.8 | 40.8 | 40.7 | 33.5 | 26.3 | 19.1 |
| 1900 | 72 | 51.2 | 3.6 | 46.1 | 38.4 | 30.8 | 23.2 | - | - | 47.8 | 4.1 | 45.2 | 37.6 | 30.0 | 22.3 | - | - |
| | 67 | 47.0 | 3.5 | 47.0 | 47.0 | 39.7 | 32.1 | 24.5 | - | 43.8 | 4.1 | 43.8 | 43.8 | 38.6 | 30.9 | 23.3 | - |
| | 62 | 42.7 | 3.5 | 42.7 | 42.7 | 42.7 | 35.1 | 27.5 | 19.8 | 40.2 | 4.0 | 40.2 | 40.2 | 40.2 | 32.6 | 24.9 | 17.2 |
| | 57 | 42.7 | 3.5 | 42.7 | 42.7 | 42.7 | 35.1 | 27.5 | 19.9 | 40.6 | 4.1 | 40.6 | 40.6 | 40.6 | 32.9 | 25.3 | 17.6 |

DNZ048 (4.0 Ton) (Continued)

| Air on Evaporator Coil | | Temperature of Air on Condenser Coil | | | | | | | | | | | | | | | |
|------------------------|---------|--------------------------------------|-------------------------------|-------------------------|------|------|------|------|------|---------------------------------|-------------------------------|-------------------------|------|------|------|------|------|
| CFM | WB (°F) | Net Capacity ¹ (MBh) | Total Input (kW) ² | Sensible Capacity (MBh) | | | | | | Net Capacity ¹ (MBh) | Total Input (kW) ² | Sensible Capacity (MBh) | | | | | |
| | | | | Return Dry Bulb (°F) | | | | | | | | Return Dry Bulb (°F) | | | | | |
| | | | | 90 | 85 | 80 | 75 | 70 | 65 | | | 90 | 85 | 80 | 75 | 70 | 65 |
| | | | | 115°F | | | | | | 125°F | | | | | | | |
| 1000 | 77 | 46.0 | 4.7 | 20.1 | 19.0 | 14.6 | - | - | - | 42.9 | 5.3 | 20.4 | 17.6 | 13.9 | - | - | - |
| | 72 | 42.3 | 4.7 | 29.2 | 24.9 | 20.5 | 16.1 | - | - | 39.4 | 5.3 | 28.2 | 23.9 | 19.6 | 15.3 | - | - |
| | 67 | 38.7 | 4.6 | 38.4 | 30.8 | 26.4 | 22.0 | 17.6 | - | 36.0 | 5.2 | 36.0 | 29.5 | 25.2 | 20.9 | 16.6 | - |
| | 62 | 36.1 | 4.6 | 36.1 | 36.1 | 29.6 | 25.2 | 20.8 | 16.4 | 34.0 | 5.2 | 34.0 | 34.0 | 27.9 | 23.6 | 19.3 | 15.0 |
| 1200 | 77 | 46.8 | 4.7 | 26.3 | 21.1 | 16.0 | - | - | - | 43.6 | 5.3 | 26.8 | 20.4 | 15.2 | - | - | - |
| | 72 | 43.1 | 4.7 | 32.8 | 27.6 | 22.4 | 17.3 | - | - | 40.1 | 5.2 | 31.7 | 26.5 | 21.4 | 16.3 | - | - |
| | 67 | 39.4 | 4.6 | 39.2 | 34.1 | 28.9 | 23.8 | 18.6 | - | 36.5 | 5.2 | 36.5 | 32.7 | 27.6 | 22.5 | 17.3 | - |
| | 62 | 36.7 | 4.6 | 36.7 | 36.7 | 32.4 | 27.2 | 22.1 | 16.9 | 34.6 | 5.2 | 34.6 | 34.6 | 30.5 | 25.4 | 20.2 | 15.1 |
| | 57 | 37.4 | 4.6 | 37.4 | 37.4 | 32.7 | 27.5 | 22.4 | 17.2 | 35.6 | 5.2 | 35.6 | 35.6 | 30.9 | 25.8 | 20.7 | 15.5 |
| 1400 | 77 | 47.7 | 4.7 | 32.5 | 23.3 | 17.4 | - | - | - | 44.3 | 5.3 | 33.1 | 23.1 | 16.5 | - | - | - |
| | 72 | 43.9 | 4.7 | 36.3 | 30.4 | 24.4 | 18.5 | - | - | 40.7 | 5.2 | 35.1 | 29.2 | 23.2 | 17.3 | - | - |
| | 67 | 40.1 | 4.6 | 40.1 | 37.4 | 31.5 | 25.5 | 19.6 | - | 37.1 | 5.2 | 37.1 | 35.9 | 29.9 | 24.0 | 18.1 | - |
| | 62 | 37.4 | 4.6 | 37.4 | 37.4 | 35.3 | 29.3 | 23.4 | 17.4 | 35.1 | 5.1 | 35.1 | 35.1 | 33.1 | 27.2 | 21.2 | 15.3 |
| | 57 | 38.1 | 4.6 | 38.1 | 38.1 | 35.6 | 29.6 | 23.7 | 17.8 | 36.2 | 5.1 | 36.2 | 36.2 | 33.5 | 27.6 | 21.7 | 15.7 |
| 1600 | 77 | 48.6 | 4.7 | 38.8 | 25.5 | 18.8 | - | - | - | 45.0 | 5.2 | 39.4 | 25.9 | 17.8 | - | - | - |
| | 72 | 44.7 | 4.7 | 39.8 | 33.1 | 26.4 | 19.7 | - | - | 41.3 | 5.2 | 38.6 | 31.8 | 25.1 | 18.3 | - | - |
| | 67 | 40.9 | 4.6 | 40.9 | 40.7 | 34.0 | 27.3 | 20.6 | - | 37.7 | 5.1 | 37.7 | 37.7 | 32.3 | 25.5 | 18.8 | - |
| | 62 | 38.1 | 4.6 | 38.1 | 38.1 | 38.1 | 31.4 | 24.7 | 18.0 | 35.7 | 5.1 | 35.7 | 35.7 | 35.7 | 28.9 | 22.2 | 15.4 |
| | 57 | 38.8 | 4.6 | 38.8 | 38.8 | 38.4 | 31.7 | 25.0 | 18.3 | 36.8 | 5.1 | 36.8 | 36.8 | 36.2 | 29.4 | 22.7 | 15.9 |
| 1750 | 72 | 44.5 | 4.7 | 42.1 | 35.0 | 27.7 | 20.5 | - | - | 41.1 | 5.2 | 41.0 | 33.9 | 26.6 | 19.4 | - | - |
| | 67 | 40.7 | 4.6 | 40.7 | 40.6 | 35.7 | 28.5 | 21.3 | - | 37.5 | 5.1 | 37.5 | 37.5 | 34.3 | 27.0 | 19.8 | - |
| | 62 | 38.0 | 4.6 | 38.0 | 38.0 | 38.0 | 30.7 | 23.5 | 16.3 | 35.5 | 5.1 | 35.5 | 35.5 | 35.5 | 28.3 | 21.0 | 13.7 |
| | 57 | 38.7 | 4.6 | 38.7 | 38.7 | 38.5 | 31.3 | 24.0 | 16.8 | 36.6 | 5.1 | 36.6 | 36.6 | 36.3 | 29.0 | 21.8 | 14.5 |
| 1900 | 72 | 44.4 | 4.6 | 44.4 | 36.8 | 29.1 | 21.3 | - | - | 40.9 | 5.2 | 40.9 | 36.0 | 28.2 | 20.4 | - | - |
| | 67 | 40.6 | 4.6 | 40.6 | 40.6 | 37.5 | 29.7 | 22.0 | - | 37.3 | 5.1 | 37.3 | 37.3 | 36.3 | 28.6 | 20.8 | - |
| | 62 | 37.8 | 4.6 | 37.8 | 37.8 | 37.8 | 30.1 | 22.3 | 14.6 | 35.4 | 5.1 | 35.4 | 35.4 | 35.4 | 27.6 | 19.8 | 12.0 |
| | 57 | 38.5 | 4.6 | 38.5 | 38.5 | 38.5 | 30.8 | 23.1 | 15.3 | 36.4 | 5.1 | 36.4 | 36.4 | 36.4 | 28.6 | 20.9 | 13.1 |

1. These capacities are Net Capacities.
2. These ratings include the compressor, condenser fan and supply air blower motors.

DNZ060 (5.0 Ton)

| Air on Evaporator Coil | | Temperature of Air on Condenser Coil | | | | | | | | | | | | | | | |
|------------------------|---------|--------------------------------------|-------------------------------|-------------------------|------|------|------|------|------|---------------------------------|-------------------------------|-------------------------|------|------|------|------|------|
| CFM | WB (°F) | Net Capacity ¹ (MBh) | Total Input (kW) ² | Sensible Capacity (MBh) | | | | | | Net Capacity ¹ (MBh) | Total Input (kW) ² | Sensible Capacity (MBh) | | | | | |
| | | | | Return Dry Bulb (°F) | | | | | | | | Return Dry Bulb (°F) | | | | | |
| | | | | 90 | 85 | 80 | 75 | 70 | 65 | | | 90 | 85 | 80 | 75 | 70 | 65 |
| | | | | 75°F | | | | | | 85°F | | | | | | | |
| 1375 | 77 | 67.6 | 3.6 | 34.0 | 27.8 | 22.5 | - | - | - | 65.0 | 4.0 | 32.3 | 26.7 | 21.1 | - | - | - |
| | 72 | 62.2 | 3.5 | 40.4 | 35.1 | 29.8 | 24.6 | - | - | 60.3 | 4.0 | 40.1 | 34.5 | 28.9 | 23.3 | - | - |
| | 67 | 56.9 | 3.4 | 46.7 | 42.4 | 37.1 | 31.8 | 26.6 | - | 55.6 | 3.9 | 47.9 | 42.3 | 36.7 | 31.1 | 25.5 | - |
| | 62 | 52.9 | 3.4 | 52.9 | 52.9 | 44.9 | 39.6 | 34.4 | 29.1 | 51.5 | 3.9 | 51.5 | 51.5 | 43.9 | 38.3 | 32.7 | 27.1 |
| 1500 | 77 | 70.0 | 3.5 | 36.3 | 30.4 | 24.5 | - | - | - | 66.5 | 4.0 | 34.9 | 28.8 | 22.7 | - | - | - |
| | 72 | 64.5 | 3.5 | 44.2 | 38.3 | 32.4 | 26.6 | - | - | 61.7 | 4.0 | 43.3 | 37.2 | 31.2 | 25.1 | - | - |
| | 67 | 59.0 | 3.4 | 52.2 | 46.3 | 40.4 | 34.5 | 28.6 | - | 56.9 | 3.9 | 51.7 | 45.7 | 39.6 | 33.5 | 27.4 | - |
| | 62 | 54.8 | 3.4 | 54.8 | 54.8 | 48.9 | 43.0 | 37.1 | 31.2 | 52.7 | 3.9 | 52.7 | 52.7 | 47.3 | 41.2 | 35.1 | 29.1 |
| | 57 | 53.6 | 3.4 | 53.6 | 53.6 | 49.3 | 43.5 | 37.6 | 31.7 | 52.6 | 3.9 | 52.6 | 52.6 | 47.5 | 41.4 | 35.3 | 29.2 |
| 1625 | 77 | 72.5 | 3.5 | 38.5 | 32.9 | 26.5 | - | - | - | 68.0 | 4.0 | 37.5 | 30.9 | 24.4 | - | - | - |
| | 72 | 66.8 | 3.5 | 48.0 | 41.6 | 35.1 | 28.6 | - | - | 63.1 | 3.9 | 46.5 | 40.0 | 33.4 | 26.9 | - | - |
| | 67 | 61.1 | 3.4 | 57.6 | 50.2 | 43.7 | 37.2 | 30.7 | - | 58.2 | 3.9 | 55.6 | 49.0 | 42.4 | 35.9 | 29.3 | - |
| | 62 | 56.8 | 3.4 | 56.8 | 56.8 | 52.8 | 46.3 | 39.8 | 33.3 | 53.9 | 3.9 | 53.9 | 53.9 | 50.7 | 44.1 | 37.6 | 31.0 |
| | 57 | 55.5 | 3.4 | 55.5 | 55.5 | 53.3 | 46.8 | 40.4 | 33.9 | 53.8 | 3.9 | 53.8 | 53.8 | 50.9 | 44.3 | 37.8 | 31.2 |
| 1750 | 77 | 75.0 | 3.5 | 40.7 | 35.5 | 28.4 | - | - | - | 69.5 | 4.0 | 40.1 | 33.1 | 26.0 | - | - | - |
| | 72 | 69.1 | 3.5 | 51.9 | 44.8 | 37.7 | 30.6 | - | - | 64.5 | 3.9 | 49.7 | 42.7 | 35.7 | 28.6 | - | - |
| | 67 | 63.2 | 3.4 | 63.1 | 54.1 | 47.0 | 39.9 | 32.8 | - | 59.4 | 3.9 | 59.4 | 52.3 | 45.3 | 38.3 | 31.2 | - |
| | 62 | 58.8 | 3.4 | 58.8 | 58.8 | 56.8 | 49.7 | 42.6 | 35.5 | 55.1 | 3.9 | 55.1 | 55.1 | 54.1 | 47.1 | 40.0 | 33.0 |
| | 57 | 57.5 | 3.4 | 57.5 | 57.5 | 57.3 | 50.2 | 43.1 | 36.0 | 55.0 | 3.9 | 55.0 | 55.0 | 54.3 | 47.3 | 40.2 | 33.2 |
| 1875 | 72 | 68.5 | 3.5 | 52.6 | 45.0 | 37.3 | 29.7 | - | - | 64.5 | 3.9 | 50.7 | 43.2 | 35.7 | 28.1 | - | - |
| | 67 | 62.7 | 3.4 | 62.6 | 54.1 | 46.5 | 38.9 | 31.3 | - | 59.4 | 3.9 | 59.4 | 52.8 | 45.3 | 37.8 | 30.2 | - |
| | 62 | 58.2 | 3.4 | 58.2 | 58.2 | 56.2 | 48.6 | 41.0 | 33.4 | 55.1 | 3.9 | 55.1 | 55.1 | 54.1 | 46.6 | 39.0 | 31.5 |
| | 57 | 57.0 | 3.4 | 57.0 | 57.0 | 56.8 | 49.2 | 41.6 | 34.0 | 55.0 | 3.9 | 55.0 | 55.0 | 54.3 | 46.8 | 39.2 | 31.7 |
| 2000 | 72 | 67.9 | 3.5 | 53.2 | 45.1 | 37.0 | 28.9 | - | - | 64.5 | 3.9 | 51.7 | 43.7 | 35.7 | 27.6 | - | - |
| | 67 | 62.1 | 3.4 | 62.1 | 54.2 | 46.1 | 38.0 | 29.8 | - | 59.4 | 3.9 | 59.4 | 53.3 | 45.3 | 37.3 | 29.2 | - |
| | 62 | 57.7 | 3.4 | 57.7 | 57.7 | 55.7 | 47.6 | 39.5 | 31.4 | 55.1 | 3.9 | 55.1 | 55.1 | 54.1 | 46.1 | 38.0 | 30.0 |
| | 57 | 56.4 | 3.4 | 56.4 | 56.4 | 56.3 | 48.2 | 40.0 | 31.9 | 55.0 | 3.9 | 55.0 | 55.0 | 54.3 | 46.3 | 38.2 | 30.2 |
| | | | | 95°F | | | | | | 105°F | | | | | | | |
| 1375 | 77 | 62.5 | 4.4 | 30.6 | 25.6 | 19.7 | - | - | - | 59.6 | 5.2 | 29.3 | 24.8 | 18.8 | - | - | - |
| | 72 | 58.4 | 4.4 | 39.8 | 33.9 | 28.0 | 22.1 | - | - | 55.2 | 5.1 | 38.7 | 32.8 | 26.8 | 20.8 | - | - |
| | 67 | 54.3 | 4.4 | 49.1 | 42.3 | 36.3 | 30.4 | 24.5 | - | 50.8 | 5.1 | 48.2 | 40.8 | 34.8 | 28.8 | 22.9 | - |
| | 62 | 50.2 | 4.4 | 50.2 | 50.2 | 42.8 | 36.9 | 31.0 | 25.1 | 47.8 | 5.1 | 47.8 | 47.8 | 40.5 | 34.5 | 28.5 | 22.5 |
| 1500 | 77 | 63.0 | 4.4 | 33.5 | 27.3 | 21.0 | - | - | - | 60.1 | 5.1 | 33.4 | 26.5 | 20.1 | - | - | - |
| | 72 | 58.9 | 4.4 | 42.4 | 36.2 | 29.9 | 23.6 | - | - | 55.7 | 5.1 | 41.5 | 35.1 | 28.7 | 22.3 | - | - |
| | 67 | 54.8 | 4.4 | 51.3 | 45.0 | 38.8 | 32.5 | 26.2 | - | 51.2 | 5.1 | 49.5 | 43.7 | 37.3 | 30.9 | 24.5 | - |
| | 62 | 50.6 | 4.4 | 50.6 | 50.6 | 45.7 | 39.4 | 33.2 | 26.9 | 48.2 | 5.1 | 48.2 | 48.2 | 43.3 | 37.0 | 30.6 | 24.2 |
| | 57 | 51.6 | 4.3 | 51.6 | 51.6 | 45.6 | 39.3 | 33.0 | 26.8 | 48.9 | 5.0 | 48.9 | 48.9 | 43.1 | 36.7 | 30.3 | 24.0 |
| 1625 | 77 | 63.5 | 4.4 | 36.5 | 28.9 | 22.3 | - | - | - | 60.7 | 5.1 | 37.5 | 28.3 | 21.5 | - | - | - |
| | 72 | 59.4 | 4.4 | 45.0 | 38.4 | 31.8 | 25.1 | - | - | 56.2 | 5.1 | 44.2 | 37.4 | 30.6 | 23.8 | - | - |
| | 67 | 55.2 | 4.4 | 53.5 | 47.8 | 41.2 | 34.6 | 28.0 | - | 51.7 | 5.1 | 50.8 | 46.5 | 39.8 | 33.0 | 26.2 | - |
| | 62 | 51.0 | 4.4 | 51.0 | 51.0 | 48.6 | 41.9 | 35.3 | 28.7 | 48.6 | 5.1 | 48.6 | 48.6 | 46.2 | 39.4 | 32.6 | 25.9 |
| | 57 | 52.0 | 4.4 | 52.0 | 52.0 | 48.4 | 41.8 | 35.2 | 28.6 | 49.4 | 5.0 | 49.4 | 49.4 | 45.9 | 39.2 | 32.4 | 25.6 |
| 1750 | 77 | 64.0 | 4.4 | 39.5 | 30.6 | 23.6 | - | - | - | 61.2 | 5.1 | 41.6 | 30.0 | 22.8 | - | - | - |
| | 72 | 59.8 | 4.4 | 47.6 | 40.6 | 33.6 | 26.7 | - | - | 56.6 | 5.1 | 46.9 | 39.7 | 32.5 | 25.4 | - | - |
| | 67 | 55.7 | 4.4 | 55.7 | 50.6 | 43.6 | 36.7 | 29.7 | - | 52.1 | 5.0 | 52.1 | 49.4 | 42.2 | 35.1 | 27.9 | - |
| | 62 | 51.4 | 4.4 | 51.4 | 51.4 | 51.4 | 44.4 | 37.5 | 30.5 | 49.1 | 5.0 | 49.1 | 49.1 | 49.1 | 41.9 | 34.7 | 27.5 |
| | 57 | 52.5 | 4.4 | 52.5 | 52.5 | 51.3 | 44.3 | 37.4 | 30.4 | 49.8 | 5.0 | 49.8 | 49.8 | 48.8 | 41.6 | 34.4 | 27.3 |
| 1875 | 72 | 60.4 | 4.4 | 48.9 | 41.4 | 34.0 | 26.5 | - | - | 56.9 | 5.1 | 48.1 | 40.4 | 32.7 | 25.0 | - | - |
| | 67 | 56.2 | 4.4 | 56.2 | 51.6 | 44.1 | 36.6 | 29.1 | - | 52.4 | 5.0 | 52.4 | 50.0 | 42.5 | 34.8 | 27.1 | - |
| | 62 | 51.9 | 4.4 | 51.9 | 51.9 | 51.9 | 44.5 | 37.0 | 29.5 | 49.3 | 5.0 | 49.3 | 49.3 | 49.3 | 41.6 | 34.0 | 26.3 |
| | 57 | 53.0 | 4.4 | 53.0 | 53.0 | 51.8 | 44.4 | 36.9 | 29.4 | 50.1 | 5.0 | 50.1 | 50.1 | 49.1 | 41.4 | 33.7 | 26.0 |
| 2000 | 72 | 61.1 | 4.4 | 50.3 | 42.3 | 34.3 | 26.3 | - | - | 57.3 | 5.1 | 49.3 | 41.1 | 32.9 | 24.7 | - | - |
| | 67 | 56.8 | 4.4 | 56.8 | 52.5 | 44.5 | 36.6 | 28.6 | - | 52.7 | 5.0 | 52.7 | 50.5 | 42.7 | 34.5 | 26.3 | - |
| | 62 | 52.5 | 4.4 | 52.5 | 52.5 | 52.5 | 44.5 | 36.5 | 28.6 | 49.6 | 5.0 | 49.6 | 49.6 | 49.6 | 41.4 | 33.2 | 25.0 |
| | 57 | 53.5 | 4.4 | 53.5 | 53.5 | 52.3 | 44.4 | 36.4 | 28.4 | 50.3 | 5.0 | 50.3 | 50.3 | 49.3 | 41.1 | 32.9 | 24.7 |

DNZ060 (5.0 Ton) (Continued)

| Air on Evaporator Coil | | Temperature of Air on Condenser Coil | | | | | | | | | | | | | | | |
|------------------------|---------|--------------------------------------|-------------------------------|-------------------------|------|------|------|------|------|---------------------------------|-------------------------------|-------------------------|------|------|------|------|------|
| CFM | WB (°F) | Net Capacity ¹ (MBh) | Total Input (kW) ² | Sensible Capacity (MBh) | | | | | | Net Capacity ¹ (MBh) | Total Input (kW) ² | Sensible Capacity (MBh) | | | | | |
| | | | | Return Dry Bulb (°F) | | | | | | | | Return Dry Bulb (°F) | | | | | |
| | | | | 90 | 85 | 80 | 75 | 70 | 65 | | | 90 | 85 | 80 | 75 | 70 | 65 |
| | | | | 115°F | | | | | | 125°F | | | | | | | |
| 1375 | 77 | 56.7 | 5.9 | 28.1 | 24.0 | 17.9 | - | - | - | 53.9 | 6.6 | 29.4 | 22.1 | 17.1 | - | - | - |
| | 72 | 52.0 | 5.8 | 37.6 | 31.6 | 25.6 | 19.6 | - | - | 48.8 | 6.5 | 36.5 | 30.5 | 24.4 | 18.3 | - | - |
| | 67 | 47.2 | 5.7 | 47.2 | 39.3 | 33.3 | 27.3 | 21.2 | - | 43.7 | 6.4 | 43.7 | 37.8 | 31.7 | 25.7 | 19.6 | - |
| | 62 | 45.4 | 5.8 | 45.4 | 45.4 | 38.1 | 32.1 | 26.0 | 20.0 | 43.1 | 6.5 | 43.1 | 43.1 | 35.7 | 29.6 | 23.6 | 17.5 |
| 1500 | 77 | 57.3 | 5.9 | 33.3 | 25.8 | 19.3 | - | - | - | 54.4 | 6.6 | 34.9 | 25.0 | 18.5 | - | - | - |
| | 72 | 52.5 | 5.8 | 40.5 | 34.0 | 27.5 | 21.1 | - | - | 49.3 | 6.5 | 39.5 | 33.0 | 26.4 | 19.8 | - | - |
| | 67 | 47.7 | 5.7 | 47.7 | 42.3 | 35.8 | 29.3 | 22.9 | - | 44.1 | 6.4 | 44.1 | 40.9 | 34.3 | 27.7 | 21.2 | - |
| | 62 | 45.9 | 5.8 | 45.9 | 45.9 | 41.0 | 34.5 | 28.0 | 21.5 | 43.5 | 6.5 | 43.5 | 43.5 | 38.6 | 32.0 | 25.4 | 18.9 |
| | 57 | 46.3 | 5.7 | 46.3 | 46.3 | 40.6 | 34.1 | 27.6 | 21.2 | 43.6 | 6.4 | 43.6 | 43.6 | 38.1 | 31.5 | 24.9 | 18.4 |
| 1625 | 77 | 57.8 | 5.8 | 38.6 | 27.6 | 20.7 | - | - | - | 55.0 | 6.5 | 40.4 | 27.9 | 19.8 | - | - | - |
| | 72 | 53.0 | 5.8 | 43.3 | 36.4 | 29.5 | 22.6 | - | - | 49.8 | 6.4 | 42.5 | 35.4 | 28.4 | 21.3 | - | - |
| | 67 | 48.1 | 5.7 | 48.1 | 45.2 | 38.3 | 31.4 | 24.5 | - | 44.6 | 6.3 | 44.6 | 43.9 | 36.9 | 29.8 | 22.7 | - |
| | 62 | 46.3 | 5.7 | 46.3 | 46.3 | 43.8 | 36.9 | 30.0 | 23.1 | 43.9 | 6.4 | 43.9 | 43.9 | 41.5 | 34.4 | 27.3 | 20.2 |
| | 57 | 46.7 | 5.7 | 46.7 | 46.7 | 43.4 | 36.5 | 29.6 | 22.7 | 44.0 | 6.4 | 44.0 | 44.0 | 40.9 | 33.9 | 26.8 | 19.7 |
| 1750 | 77 | 58.3 | 5.8 | 43.8 | 29.4 | 22.0 | - | - | - | 55.5 | 6.5 | 46.0 | 30.8 | 21.2 | - | - | - |
| | 72 | 53.4 | 5.7 | 46.2 | 38.8 | 31.4 | 24.0 | - | - | 50.2 | 6.4 | 45.5 | 37.9 | 30.3 | 22.7 | - | - |
| | 67 | 48.6 | 5.7 | 48.6 | 48.2 | 40.8 | 33.5 | 26.1 | - | 45.0 | 6.3 | 45.0 | 45.0 | 39.4 | 31.9 | 24.3 | - |
| | 62 | 46.7 | 5.7 | 46.7 | 46.7 | 46.7 | 39.3 | 32.0 | 24.6 | 44.4 | 6.4 | 44.4 | 44.4 | 44.4 | 36.8 | 29.2 | 21.6 |
| | 57 | 47.1 | 5.7 | 47.1 | 47.1 | 46.3 | 38.9 | 31.5 | 24.2 | 44.5 | 6.3 | 44.5 | 44.5 | 43.8 | 36.2 | 28.6 | 21.0 |
| 1875 | 72 | 53.4 | 5.7 | 47.2 | 39.3 | 31.4 | 23.5 | - | - | 49.9 | 6.4 | 46.4 | 38.3 | 30.2 | 22.0 | - | - |
| | 67 | 48.6 | 5.7 | 48.6 | 48.4 | 40.8 | 32.9 | 25.0 | - | 44.7 | 6.3 | 44.7 | 44.7 | 39.2 | 31.1 | 23.0 | - |
| | 62 | 46.7 | 5.7 | 46.7 | 46.7 | 46.7 | 38.8 | 30.9 | 23.0 | 44.1 | 6.4 | 44.1 | 44.1 | 44.1 | 36.0 | 27.9 | 19.7 |
| | 57 | 47.1 | 5.7 | 47.1 | 47.1 | 46.3 | 38.4 | 30.5 | 22.6 | 44.2 | 6.3 | 44.2 | 44.2 | 43.5 | 35.4 | 27.3 | 19.2 |
| 2000 | 72 | 53.4 | 5.7 | 48.3 | 39.9 | 31.4 | 23.0 | - | - | 49.6 | 6.4 | 47.3 | 38.6 | 30.0 | 21.3 | - | - |
| | 67 | 48.6 | 5.7 | 48.6 | 48.6 | 40.8 | 32.4 | 24.0 | - | 44.4 | 6.3 | 44.4 | 44.4 | 39.0 | 30.3 | 21.7 | - |
| | 62 | 46.7 | 5.7 | 46.7 | 46.7 | 46.7 | 38.3 | 29.9 | 21.4 | 43.8 | 6.4 | 43.8 | 43.8 | 43.8 | 35.2 | 26.5 | 17.9 |
| | 57 | 47.1 | 5.7 | 47.1 | 47.1 | 46.3 | 37.9 | 29.4 | 21.0 | 43.9 | 6.3 | 43.9 | 43.9 | 43.3 | 34.6 | 25.9 | 17.3 |

1. These capacities are Net Capacities.
2. These ratings include the compressor, condenser fan and supply air blower motors.

DNQ024-060 Cooling Capacities

DNQ024 (2.0 Ton)

| Air on Evaporator Coil | | Temperature of Air on Condenser Coil | | | | | | | | | | | | | | | | | |
|------------------------|---------|--------------------------------------|-------------------------------|-------------------------|------|------|------|------|------|---------------------------------|-------------------------------|-------------------------|------|------|------|------|------|--|--|
| CFM | WB (°F) | Net Capacity ¹ (MBh) | Total Input (kW) ² | Sensible Capacity (MBh) | | | | | | Net Capacity ¹ (MBh) | Total Input (kW) ² | Sensible Capacity (MBh) | | | | | | | |
| | | | | Return Dry Bulb (°F) | | | | | | | | Return Dry Bulb (°F) | | | | | | | |
| | | | | 90 | 85 | 80 | 75 | 70 | 65 | | | 90 | 85 | 80 | 75 | 70 | 65 | | |
| | | 75°F | | | | | | | | | 85°F | | | | | | | | |
| 600 | 77 | 34.0 | 1.5 | 10.5 | 8.0 | 5.6 | - | - | - | 30.5 | 1.7 | 11.9 | 9.4 | 6.9 | - | - | - | | |
| | 72 | 30.5 | 1.5 | 16.4 | 14.0 | 11.5 | 9.1 | - | - | 27.7 | 1.7 | 16.7 | 14.2 | 11.7 | 9.3 | - | - | | |
| | 67 | 27.0 | 1.6 | 22.3 | 19.9 | 17.5 | 15.0 | 12.6 | - | 25.0 | 1.7 | 21.5 | 19.0 | 16.5 | 14.1 | 11.6 | - | | |
| | 62 | 24.4 | 1.6 | 24.4 | 19.7 | 17.0 | 14.5 | 12.1 | 9.7 | 22.6 | 1.7 | 22.6 | 20.3 | 17.8 | 15.3 | 12.8 | 10.4 | | |
| | 57 | 25.1 | 1.6 | 25.1 | 21.5 | 18.8 | 16.4 | 13.9 | 11.5 | 22.9 | 1.7 | 22.9 | 21.2 | 18.7 | 16.2 | 13.7 | 11.3 | | |
| 700 | 77 | 35.0 | 1.5 | 12.7 | 9.5 | 6.8 | - | - | - | 31.5 | 1.7 | 13.8 | 10.7 | 7.9 | - | - | - | | |
| | 72 | 31.4 | 1.5 | 19.1 | 16.4 | 13.8 | 11.1 | - | - | 28.6 | 1.7 | 18.9 | 16.2 | 13.4 | 10.7 | - | - | | |
| | 67 | 27.8 | 1.6 | 25.4 | 23.4 | 20.8 | 18.1 | 15.5 | - | 25.7 | 1.7 | 24.0 | 21.7 | 18.9 | 16.2 | 13.4 | - | | |
| | 62 | 25.0 | 1.6 | 25.0 | 22.7 | 20.3 | 17.7 | 15.1 | 12.4 | 23.3 | 1.7 | 23.3 | 22.1 | 20.3 | 17.6 | 14.8 | 12.1 | | |
| | 57 | 25.8 | 1.6 | 25.8 | 24.0 | 22.4 | 19.8 | 17.1 | 14.5 | 23.7 | 1.7 | 23.7 | 22.8 | 21.4 | 18.6 | 15.9 | 13.1 | | |
| 800 | 77 | 35.9 | 1.5 | 15.0 | 10.9 | 8.0 | - | - | - | 32.4 | 1.7 | 15.8 | 11.9 | 8.9 | - | - | - | | |
| | 72 | 32.2 | 1.6 | 21.8 | 18.9 | 16.0 | 13.2 | - | - | 29.5 | 1.7 | 21.1 | 18.1 | 15.1 | 12.1 | - | - | | |
| | 67 | 28.5 | 1.6 | 28.5 | 26.9 | 24.1 | 21.2 | 18.3 | - | 26.5 | 1.7 | 26.5 | 24.3 | 21.3 | 18.3 | 15.3 | - | | |
| | 62 | 25.7 | 1.6 | 25.7 | 25.7 | 23.7 | 20.9 | 18.0 | 15.2 | 24.0 | 1.7 | 24.0 | 24.0 | 22.9 | 19.9 | 16.9 | 13.8 | | |
| | 57 | 26.4 | 1.6 | 26.4 | 26.4 | 26.1 | 23.2 | 20.4 | 17.5 | 24.4 | 1.7 | 24.4 | 24.4 | 24.1 | 21.1 | 18.0 | 15.0 | | |
| 900 | 72 | 33.0 | 1.5 | 22.3 | 18.9 | 15.5 | 12.1 | - | - | 29.8 | 1.7 | 21.9 | 18.5 | 15.1 | 11.7 | - | - | | |
| | 67 | 29.2 | 1.6 | 29.2 | 26.7 | 23.4 | 20.0 | 16.6 | - | 26.8 | 1.7 | 26.8 | 24.7 | 21.3 | 17.9 | 14.5 | - | | |
| | 62 | 26.3 | 1.6 | 26.3 | 26.3 | 23.7 | 20.3 | 16.9 | 13.6 | 24.3 | 1.7 | 24.3 | 24.3 | 22.9 | 19.5 | 16.1 | 12.7 | | |
| | 57 | 27.1 | 1.6 | 27.1 | 27.1 | 26.1 | 22.7 | 19.3 | 15.9 | 24.6 | 1.7 | 24.6 | 24.6 | 24.1 | 20.7 | 17.3 | 13.9 | | |
| | | | 95°F | | | | | | | | | 105°F | | | | | | | |
| 600 | 77 | 27.0 | 1.9 | 13.3 | 10.8 | 8.3 | - | - | - | 25.1 | 2.0 | 13.3 | 10.4 | 7.9 | - | - | - | | |
| | 72 | 25.0 | 1.9 | 17.0 | 14.5 | 12.0 | 9.4 | - | - | 22.7 | 2.0 | 16.3 | 13.7 | 11.2 | 8.7 | - | - | | |
| | 67 | 22.9 | 1.9 | 20.7 | 18.2 | 15.6 | 13.1 | 10.6 | - | 20.4 | 2.0 | 19.2 | 17.1 | 14.6 | 12.1 | 9.6 | - | | |
| | 62 | 20.8 | 1.8 | 20.8 | 20.8 | 18.6 | 16.1 | 13.6 | 11.0 | 19.0 | 2.0 | 19.0 | 19.0 | 16.9 | 14.4 | 11.9 | 9.4 | | |
| | 57 | 20.8 | 1.8 | 20.8 | 20.8 | 18.6 | 16.1 | 13.6 | 11.1 | 19.1 | 2.0 | 19.1 | 19.1 | 17.0 | 14.5 | 12.0 | 9.4 | | |
| 800 | 77 | 27.9 | 1.9 | 14.9 | 11.9 | 9.0 | - | - | - | 25.8 | 2.0 | 15.4 | 11.5 | 8.6 | - | - | - | | |
| | 72 | 25.8 | 1.9 | 18.8 | 15.9 | 13.1 | 10.2 | - | - | 23.3 | 2.0 | 17.9 | 15.0 | 12.2 | 9.4 | - | - | | |
| | 67 | 23.7 | 1.9 | 22.6 | 19.9 | 17.1 | 14.3 | 11.4 | - | 20.9 | 2.0 | 20.3 | 18.6 | 15.9 | 13.1 | 10.3 | - | | |
| | 62 | 21.6 | 1.8 | 21.6 | 21.6 | 20.3 | 17.5 | 14.6 | 11.8 | 19.6 | 2.0 | 19.6 | 19.6 | 18.4 | 15.6 | 12.8 | 10.0 | | |
| | 57 | 21.6 | 1.8 | 21.6 | 21.6 | 20.3 | 17.5 | 14.6 | 11.8 | 19.6 | 2.0 | 19.6 | 19.6 | 18.5 | 15.7 | 12.9 | 10.0 | | |
| 800 | 77 | 28.9 | 1.9 | 16.5 | 13.0 | 9.8 | - | - | - | 26.4 | 2.1 | 17.4 | 12.6 | 9.2 | - | - | - | | |
| | 72 | 26.7 | 1.9 | 20.5 | 17.3 | 14.2 | 11.0 | - | - | 23.9 | 2.0 | 19.4 | 16.3 | 13.2 | 10.1 | - | - | | |
| | 67 | 24.5 | 1.9 | 24.5 | 21.7 | 18.6 | 15.4 | 12.2 | - | 21.4 | 2.0 | 21.4 | 20.1 | 17.2 | 14.1 | 11.0 | - | | |
| | 62 | 22.3 | 1.8 | 22.3 | 22.3 | 22.0 | 18.9 | 15.7 | 12.5 | 20.1 | 2.0 | 20.1 | 20.1 | 19.9 | 16.8 | 13.7 | 10.6 | | |
| | 57 | 22.3 | 1.8 | 22.3 | 22.3 | 22.1 | 18.9 | 15.7 | 12.5 | 20.1 | 2.0 | 20.1 | 20.1 | 20.0 | 16.9 | 13.8 | 10.6 | | |
| 900 | 72 | 26.6 | 1.9 | 21.5 | 18.1 | 14.7 | 11.3 | - | - | 24.0 | 2.0 | 20.4 | 17.0 | 13.7 | 10.4 | - | - | | |
| | 67 | 24.4 | 1.9 | 24.4 | 22.7 | 19.3 | 15.8 | 12.4 | - | 21.5 | 2.0 | 21.5 | 20.6 | 17.8 | 14.5 | 11.2 | - | | |
| | 62 | 22.2 | 1.8 | 22.2 | 22.2 | 22.1 | 18.7 | 15.3 | 11.9 | 20.1 | 2.0 | 20.1 | 20.1 | 20.0 | 16.7 | 13.3 | 10.0 | | |
| | 57 | 22.2 | 1.8 | 22.2 | 22.2 | 22.1 | 18.7 | 15.3 | 11.9 | 20.2 | 2.0 | 20.2 | 20.2 | 20.1 | 16.7 | 13.4 | 10.1 | | |

DNQ024 (2.0 Ton) (Continued)

| Air on Evaporator Coil | | Temperature of Air on Condenser Coil | | | | | | | | | | | | | | | |
|------------------------|----|--------------------------------------|-------------------------------|-------------------------|------|----------------------|------|------|-----|---------------------------------|-------------------------------|-------------------------|------|------|------|-----|-----|
| | | Net Capacity ¹ (MBh) | Total Input (kW) ² | Sensible Capacity (MBh) | | | | | | Net Capacity ¹ (MBh) | Total Input (kW) ² | Sensible Capacity (MBh) | | | | | |
| Return Dry Bulb (°F) | | | | | | Return Dry Bulb (°F) | | | | | | | | | | | |
| 90 | 85 | | | 80 | 75 | 70 | 65 | 90 | 85 | | | 80 | 75 | 70 | 65 | | |
| | | 115°F | | | | | | | | 125°F | | | | | | | |
| 600 | 77 | 23.2 | 2.2 | 13.2 | 10.0 | 7.5 | - | - | - | 21.3 | 2.4 | 14.3 | 9.5 | 7.0 | - | - | - |
| | 72 | 20.5 | 2.2 | 15.5 | 13.0 | 10.5 | 8.0 | - | - | 18.3 | 2.3 | 14.8 | 12.3 | 9.8 | 7.3 | - | - |
| | 67 | 17.8 | 2.1 | 17.8 | 16.1 | 13.6 | 11.1 | 8.6 | - | 15.3 | 2.3 | 15.3 | 15.0 | 12.5 | 10.1 | 7.6 | - |
| | 62 | 17.3 | 2.1 | 17.3 | 17.3 | 15.3 | 12.8 | 10.3 | 7.8 | 15.5 | 2.2 | 15.5 | 15.5 | 13.6 | 11.1 | 8.6 | 6.1 |
| | 57 | 17.4 | 2.1 | 17.4 | 17.4 | 15.3 | 12.8 | 10.3 | 7.8 | 15.7 | 2.2 | 15.7 | 15.7 | 13.7 | 11.2 | 8.7 | 6.2 |
| 700 | 77 | 23.6 | 2.2 | 15.8 | 11.1 | 8.1 | - | - | - | 21.4 | 2.4 | 16.8 | 11.4 | 7.6 | - | - | - |
| | 72 | 20.9 | 2.2 | 16.9 | 14.2 | 11.4 | 8.6 | - | - | 18.4 | 2.3 | 16.0 | 13.3 | 10.6 | 7.8 | - | - |
| | 67 | 18.1 | 2.1 | 18.1 | 17.2 | 14.7 | 11.9 | 9.1 | - | 15.3 | 2.3 | 15.3 | 15.3 | 13.5 | 10.8 | 8.0 | - |
| | 62 | 17.5 | 2.1 | 17.5 | 17.5 | 16.5 | 13.8 | 11.0 | 8.2 | 15.5 | 2.3 | 15.5 | 15.5 | 14.7 | 11.9 | 9.2 | 6.4 |
| | 57 | 17.7 | 2.1 | 17.7 | 17.7 | 16.6 | 13.8 | 11.1 | 8.3 | 15.7 | 2.2 | 15.7 | 15.7 | 14.8 | 12.0 | 9.3 | 6.5 |
| 800 | 77 | 24.0 | 2.2 | 18.4 | 12.2 | 8.7 | - | - | - | 21.5 | 2.4 | 19.3 | 13.3 | 8.1 | - | - | - |
| | 72 | 21.2 | 2.2 | 18.4 | 15.3 | 12.3 | 9.2 | - | - | 18.4 | 2.3 | 17.3 | 14.3 | 11.3 | 8.3 | - | - |
| | 67 | 18.4 | 2.1 | 18.4 | 18.4 | 15.8 | 12.8 | 9.7 | - | 15.3 | 2.3 | 15.3 | 15.3 | 14.5 | 11.5 | 8.5 | - |
| | 62 | 17.8 | 2.1 | 17.8 | 17.8 | 17.8 | 14.8 | 11.7 | 8.6 | 15.6 | 2.3 | 15.6 | 15.6 | 15.6 | 12.7 | 9.7 | 6.7 |
| | 57 | 18.0 | 2.1 | 18.0 | 18.0 | 17.9 | 14.8 | 11.8 | 8.7 | 15.8 | 2.3 | 15.8 | 15.8 | 15.8 | 12.8 | 9.8 | 6.8 |
| 900 | 72 | 21.3 | 2.2 | 19.2 | 16.0 | 12.7 | 9.4 | - | - | 18.7 | 2.3 | 18.1 | 14.9 | 11.7 | 8.5 | - | - |
| | 67 | 18.5 | 2.2 | 18.5 | 18.5 | 16.4 | 13.1 | 9.9 | - | 15.6 | 2.3 | 15.6 | 15.6 | 15.0 | 11.8 | 8.6 | - |
| | 62 | 17.9 | 2.1 | 17.9 | 17.9 | 17.9 | 14.7 | 11.4 | 8.2 | 15.8 | 2.3 | 15.8 | 15.8 | 15.8 | 12.7 | 9.5 | 6.3 |
| | 57 | 18.1 | 2.1 | 18.1 | 18.1 | 18.1 | 14.8 | 11.5 | 8.3 | 16.1 | 2.3 | 16.1 | 16.1 | 16.1 | 12.9 | 9.7 | 6.5 |

1. These capacities are Net Capacities.
2. These ratings include the compressor, condenser fan and supply air blower motors.

DNQ030 (2.5 Ton)

| Air on Evaporator Coil | | Temperature of Air on Condenser Coil | | | | | | | | | | | | | | | |
|------------------------|---------|--------------------------------------|-------------------------------|-------------------------|------|------|------|------|------|---------------------------------|-------------------------------|-------------------------|------|------|------|------|------|
| CFM | WB (°F) | Net Capacity ¹ (MBh) | Total Input (kW) ² | Sensible Capacity (MBh) | | | | | | Net Capacity ¹ (MBh) | Total Input (kW) ² | Sensible Capacity (MBh) | | | | | |
| | | | | Return Dry Bulb (°F) | | | | | | | | Return Dry Bulb (°F) | | | | | |
| | | | | 90 | 85 | 80 | 75 | 70 | 65 | | | 90 | 85 | 80 | 75 | 70 | 65 |
| | | | | 75°F | | | | | | 85°F | | | | | | | |
| 900 | 77 | 37.7 | 1.7 | 19.0 | 15.4 | 11.9 | - | - | - | 36.6 | 1.9 | 18.7 | 15.1 | 11.5 | - | - | - |
| | 72 | 35.1 | 1.7 | 24.4 | 20.9 | 17.3 | 13.8 | - | - | 33.7 | 1.9 | 24.0 | 20.4 | 16.8 | 13.2 | - | - |
| | 67 | 32.5 | 1.7 | 29.9 | 26.3 | 22.8 | 19.2 | 15.7 | - | 30.9 | 1.9 | 29.3 | 25.7 | 22.1 | 18.5 | 14.9 | - |
| | 62 | 30.4 | 1.7 | 30.4 | 30.4 | 27.9 | 24.3 | 20.8 | 17.2 | 29.1 | 1.9 | 29.1 | 29.1 | 26.8 | 23.2 | 19.6 | 16.0 |
| | 57 | 30.0 | 1.7 | 30.0 | 30.0 | 27.7 | 24.2 | 20.6 | 17.1 | 29.1 | 1.9 | 29.1 | 29.1 | 27.0 | 23.4 | 19.8 | 16.2 |
| 1000 | 77 | 39.8 | 1.7 | 19.6 | 17.1 | 13.3 | - | - | - | 38.1 | 1.9 | 20.5 | 16.6 | 12.8 | - | - | - |
| | 72 | 37.0 | 1.7 | 26.9 | 23.2 | 19.4 | 15.6 | - | - | 35.2 | 1.9 | 26.4 | 22.5 | 18.7 | 14.8 | - | - |
| | 67 | 34.3 | 1.7 | 34.3 | 29.3 | 25.5 | 21.7 | 17.9 | - | 32.3 | 1.9 | 32.3 | 28.4 | 24.6 | 20.7 | 16.9 | - |
| | 62 | 32.0 | 1.7 | 32.0 | 32.0 | 31.2 | 27.4 | 23.7 | 19.9 | 30.3 | 1.9 | 30.3 | 30.3 | 29.8 | 26.0 | 22.2 | 18.3 |
| | 57 | 31.6 | 1.7 | 31.6 | 31.6 | 31.0 | 27.2 | 23.5 | 19.7 | 30.3 | 1.9 | 30.3 | 30.3 | 30.0 | 26.2 | 22.4 | 18.5 |
| 1125 | 72 | 37.3 | 1.7 | 28.7 | 24.5 | 20.3 | 16.1 | - | - | 35.5 | 1.9 | 28.1 | 23.9 | 19.6 | 15.3 | - | - |
| | 67 | 34.6 | 1.7 | 34.6 | 30.9 | 26.7 | 22.5 | 18.2 | - | 32.6 | 1.9 | 32.6 | 30.1 | 25.8 | 21.5 | 17.2 | - |
| | 62 | 32.2 | 1.7 | 32.2 | 32.2 | 31.9 | 27.6 | 23.4 | 19.2 | 30.6 | 1.9 | 30.6 | 30.6 | 30.4 | 26.1 | 21.8 | 17.6 |
| | 57 | 31.9 | 1.7 | 31.9 | 31.9 | 31.6 | 27.3 | 23.1 | 18.9 | 30.6 | 1.9 | 30.6 | 30.6 | 30.5 | 26.2 | 21.9 | 17.7 |
| 1250 | 72 | 37.6 | 1.7 | 30.5 | 25.8 | 21.2 | 16.5 | - | - | 35.9 | 1.9 | 29.9 | 25.2 | 20.5 | 15.8 | - | - |
| | 67 | 34.8 | 1.7 | 34.8 | 32.5 | 27.8 | 23.2 | 18.5 | - | 32.9 | 1.9 | 32.9 | 31.7 | 27.0 | 22.3 | 17.5 | - |
| | 62 | 32.5 | 1.7 | 32.5 | 32.5 | 32.5 | 27.8 | 23.2 | 18.5 | 30.9 | 1.9 | 30.9 | 30.9 | 30.9 | 26.2 | 21.5 | 16.8 |
| | 57 | 32.1 | 1.7 | 32.1 | 32.1 | 32.1 | 27.5 | 22.8 | 18.1 | 30.9 | 1.9 | 30.9 | 30.9 | 30.9 | 26.2 | 21.5 | 16.8 |
| | | | | 95°F | | | | | | 105°F | | | | | | | |
| 900 | 77 | 35.4 | 2.1 | 18.4 | 14.8 | 11.1 | - | - | - | 33.0 | 2.4 | 18.5 | 14.0 | 10.3 | - | - | - |
| | 72 | 32.3 | 2.1 | 23.6 | 19.9 | 16.3 | 12.7 | - | - | 30.2 | 2.4 | 22.8 | 19.1 | 15.5 | 11.9 | - | - |
| | 67 | 29.3 | 2.1 | 28.8 | 25.1 | 21.5 | 17.8 | 14.2 | - | 27.3 | 2.4 | 27.0 | 24.3 | 20.7 | 17.0 | 13.4 | - |
| | 62 | 27.8 | 2.1 | 27.8 | 27.8 | 25.8 | 22.1 | 18.5 | 14.9 | 26.1 | 2.4 | 26.1 | 26.1 | 24.1 | 20.4 | 16.8 | 13.2 |
| | 57 | 28.2 | 2.1 | 28.2 | 28.2 | 26.4 | 22.7 | 19.1 | 15.4 | 26.7 | 2.4 | 26.7 | 26.7 | 24.8 | 21.2 | 17.6 | 13.9 |
| 1000 | 77 | 36.4 | 2.1 | 21.3 | 16.2 | 12.3 | - | - | - | 34.0 | 2.4 | 21.9 | 15.4 | 11.4 | - | - | - |
| | 72 | 33.3 | 2.1 | 25.8 | 21.9 | 18.0 | 14.1 | - | - | 31.0 | 2.4 | 25.0 | 21.1 | 17.1 | 13.2 | - | - |
| | 67 | 30.2 | 2.1 | 30.2 | 27.6 | 23.7 | 19.8 | 15.9 | - | 28.1 | 2.4 | 28.1 | 26.7 | 22.9 | 18.9 | 15.0 | - |
| | 62 | 28.7 | 2.1 | 28.7 | 28.7 | 28.4 | 24.5 | 20.6 | 16.7 | 26.8 | 2.4 | 26.8 | 26.8 | 26.6 | 22.7 | 18.8 | 14.9 |
| | 57 | 29.1 | 2.1 | 29.1 | 29.1 | 29.1 | 25.2 | 21.3 | 17.4 | 27.5 | 2.4 | 27.5 | 27.5 | 27.5 | 23.5 | 19.6 | 15.7 |
| 1125 | 72 | 33.7 | 2.1 | 27.6 | 23.2 | 18.9 | 14.6 | - | - | 31.3 | 2.4 | 26.8 | 22.4 | 18.0 | 13.7 | - | - |
| | 67 | 30.6 | 2.1 | 30.6 | 29.2 | 24.9 | 20.6 | 16.2 | - | 28.4 | 2.4 | 28.4 | 27.7 | 24.1 | 19.7 | 15.3 | - |
| | 62 | 29.0 | 2.1 | 29.0 | 29.0 | 28.9 | 24.6 | 20.2 | 15.9 | 27.1 | 2.4 | 27.1 | 27.1 | 27.0 | 22.6 | 18.2 | 13.9 |
| | 57 | 29.4 | 2.1 | 29.4 | 29.4 | 29.4 | 25.1 | 20.7 | 16.4 | 27.7 | 2.4 | 27.7 | 27.7 | 27.7 | 23.4 | 19.0 | 14.6 |
| 1250 | 72 | 34.1 | 2.1 | 29.4 | 24.6 | 19.8 | 15.0 | - | - | 31.7 | 2.4 | 28.7 | 23.8 | 19.0 | 14.1 | - | - |
| | 67 | 31.0 | 2.1 | 31.0 | 30.9 | 26.1 | 21.3 | 16.6 | - | 28.7 | 2.4 | 28.7 | 28.6 | 25.3 | 20.4 | 15.6 | - |
| | 62 | 29.4 | 2.1 | 29.4 | 29.4 | 29.4 | 24.6 | 19.8 | 15.1 | 27.4 | 2.4 | 27.4 | 27.4 | 27.4 | 22.5 | 17.7 | 12.8 |
| | 57 | 29.8 | 2.1 | 29.8 | 29.8 | 29.8 | 25.0 | 20.2 | 15.4 | 28.0 | 2.4 | 28.0 | 28.0 | 28.0 | 23.2 | 18.3 | 13.5 |

DNQ030 (2.5 Ton) (Continued)

| Air on Evaporator Coil | | Temperature of Air on Condenser Coil | | | | | | | | | | | | | | | |
|------------------------|---------|--------------------------------------|-------------------------------|-------------------------|------|------|------|------|------|---------------------------------|-------------------------------|-------------------------|------|------|------|------|------|
| CFM | WB (°F) | Net Capacity ¹ (MBh) | Total Input (kW) ² | Sensible Capacity (MBh) | | | | | | Net Capacity ¹ (MBh) | Total Input (kW) ² | Sensible Capacity (MBh) | | | | | |
| | | | | Return Dry Bulb (°F) | | | | | | | | Return Dry Bulb (°F) | | | | | |
| | | | | 90 | 85 | 80 | 75 | 70 | 65 | | | 90 | 85 | 80 | 75 | 70 | 65 |
| | | | | 115°F | | | | | | 125°F | | | | | | | |
| 900 | 77 | 30.7 | 2.7 | 18.6 | 13.1 | 9.5 | - | - | - | 28.4 | 3.0 | 19.0 | 12.3 | 8.7 | - | - | - |
| | 72 | 28.0 | 2.7 | 21.9 | 18.3 | 14.7 | 11.1 | - | - | 25.8 | 3.0 | 21.1 | 17.5 | 13.9 | 10.3 | - | - |
| | 67 | 25.2 | 2.7 | 25.2 | 23.5 | 19.8 | 16.2 | 12.6 | - | 23.1 | 3.0 | 23.1 | 22.6 | 19.0 | 15.4 | 11.8 | - |
| | 62 | 24.3 | 2.7 | 24.3 | 24.3 | 22.4 | 18.7 | 15.1 | 11.5 | 22.5 | 3.0 | 22.5 | 22.5 | 20.6 | 17.0 | 13.4 | 9.8 |
| | 57 | 25.2 | 2.7 | 25.2 | 25.2 | 23.3 | 19.7 | 16.1 | 12.4 | 23.7 | 3.0 | 23.7 | 23.7 | 21.7 | 18.1 | 14.5 | 10.9 |
| 1000 | 77 | 31.5 | 2.7 | 22.5 | 14.6 | 10.6 | - | - | - | 29.1 | 3.0 | 23.0 | 15.1 | 9.7 | - | - | - |
| | 72 | 28.7 | 2.7 | 24.2 | 20.2 | 16.3 | 12.4 | - | - | 26.4 | 3.0 | 23.4 | 19.4 | 15.5 | 11.5 | - | - |
| | 67 | 25.9 | 2.7 | 25.9 | 25.9 | 22.0 | 18.1 | 14.2 | - | 23.7 | 3.0 | 23.7 | 23.7 | 21.2 | 17.3 | 13.3 | - |
| | 62 | 25.0 | 2.7 | 25.0 | 25.0 | 24.8 | 20.9 | 17.0 | 13.0 | 23.1 | 3.0 | 23.1 | 23.1 | 23.0 | 19.1 | 15.1 | 11.2 |
| | 57 | 25.9 | 2.7 | 25.9 | 25.9 | 25.9 | 21.9 | 18.0 | 14.1 | 24.3 | 3.0 | 24.3 | 24.3 | 24.3 | 20.3 | 16.3 | 12.4 |
| 1125 | 72 | 29.0 | 2.7 | 26.1 | 21.6 | 17.2 | 12.8 | - | - | 26.6 | 3.0 | 25.3 | 20.8 | 16.4 | 11.9 | - | - |
| | 67 | 26.1 | 2.7 | 26.1 | 26.1 | 23.3 | 18.8 | 14.4 | - | 23.9 | 3.0 | 23.9 | 23.9 | 22.4 | 18.0 | 13.5 | - |
| | 62 | 25.2 | 2.7 | 25.2 | 25.2 | 25.1 | 20.7 | 16.2 | 11.8 | 23.2 | 3.0 | 23.2 | 23.2 | 23.2 | 18.7 | 14.2 | 9.8 |
| | 57 | 26.1 | 2.7 | 26.1 | 26.1 | 26.1 | 21.7 | 17.2 | 12.8 | 24.4 | 3.0 | 24.4 | 24.4 | 24.4 | 19.9 | 15.5 | 11.0 |
| 1250 | 72 | 29.2 | 2.7 | 28.0 | 23.0 | 18.1 | 13.2 | - | - | 26.7 | 3.0 | 26.7 | 22.3 | 17.3 | 12.3 | - | - |
| | 67 | 26.3 | 2.7 | 26.3 | 26.3 | 24.5 | 19.5 | 14.6 | - | 24.0 | 3.0 | 24.0 | 24.0 | 23.7 | 18.7 | 13.6 | - |
| | 62 | 25.4 | 2.7 | 25.4 | 25.4 | 25.4 | 20.5 | 15.5 | 10.6 | 23.4 | 3.0 | 23.4 | 23.4 | 23.4 | 18.4 | 13.4 | 8.4 |
| | 57 | 26.3 | 2.7 | 26.3 | 26.3 | 26.3 | 21.4 | 16.5 | 11.5 | 24.6 | 3.0 | 24.6 | 24.6 | 24.6 | 19.6 | 14.6 | 9.6 |

1. These capacities are Net Capacities.
2. These ratings include the compressor, condenser fan and supply air blower motors.

DNQ036 (3.0 Ton)

| Air on Evaporator Coil | | Temperature of Air on Condenser Coil | | | | | | | | | | | | | | | |
|------------------------|---------|--------------------------------------|-------------------------------|-------------------------|------|------|------|------|------|---------------------------------|-------------------------------|-------------------------|------|------|------|------|------|
| CFM | WB (°F) | Net Capacity ¹ (MBh) | Total Input (kW) ² | Sensible Capacity (MBh) | | | | | | Net Capacity ¹ (MBh) | Total Input (kW) ² | Sensible Capacity (MBh) | | | | | |
| | | | | Return Dry Bulb (°F) | | | | | | | | Return Dry Bulb (°F) | | | | | |
| | | | | 90 | 85 | 80 | 75 | 70 | 65 | | | 90 | 85 | 80 | 75 | 70 | 65 |
| | | | | 75°F | | | | | | 85°F | | | | | | | |
| 1050 | 77 | 47.5 | 1.5 | 23.1 | 18.9 | 14.7 | - | - | - | 44.6 | 2.4 | 23.4 | 19.0 | 14.7 | - | - | - |
| | 72 | 43.7 | 1.9 | 29.7 | 25.5 | 21.3 | 17.1 | - | - | 41.0 | 2.5 | 29.0 | 24.8 | 20.6 | 16.3 | - | - |
| | 67 | 39.9 | 2.3 | 36.3 | 32.1 | 27.9 | 23.6 | 19.4 | - | 37.5 | 2.5 | 34.7 | 30.6 | 26.4 | 22.1 | 17.9 | - |
| | 62 | 37.1 | 1.9 | 37.1 | 35.4 | 32.8 | 28.6 | 24.4 | 20.2 | 34.6 | 2.5 | 34.6 | 33.8 | 31.4 | 27.1 | 22.9 | 18.7 |
| | 57 | 37.4 | 2.0 | 37.4 | 36.6 | 34.4 | 30.2 | 26.0 | 21.8 | 35.2 | 2.5 | 35.2 | 34.8 | 32.9 | 28.7 | 24.4 | 20.2 |
| 1100 | 77 | 47.0 | 1.6 | 23.6 | 19.3 | 15.0 | - | - | - | 44.2 | 2.4 | 23.9 | 19.3 | 15.0 | - | - | - |
| | 72 | 43.2 | 2.0 | 30.4 | 26.0 | 21.7 | 17.3 | - | - | 40.7 | 2.5 | 29.6 | 25.2 | 20.9 | 16.5 | - | - |
| | 67 | 39.5 | 2.3 | 37.1 | 32.7 | 28.4 | 24.0 | 19.7 | - | 37.2 | 2.5 | 35.3 | 31.1 | 26.8 | 22.4 | 18.0 | - |
| | 62 | 36.7 | 2.0 | 36.7 | 35.6 | 33.4 | 29.1 | 24.7 | 20.4 | 34.3 | 2.5 | 34.3 | 33.8 | 31.8 | 27.4 | 23.1 | 18.7 |
| | 57 | 37.0 | 2.0 | 37.0 | 36.5 | 35.0 | 30.7 | 26.3 | 22.0 | 34.9 | 2.5 | 34.9 | 34.6 | 33.4 | 29.0 | 24.6 | 20.2 |
| 1200 | 77 | 46.1 | 1.7 | 24.7 | 20.2 | 15.5 | - | - | - | 43.5 | 2.4 | 25.1 | 20.1 | 15.4 | - | - | - |
| | 72 | 42.4 | 2.1 | 31.7 | 27.1 | 22.5 | 17.8 | - | - | 40.0 | 2.5 | 30.8 | 26.1 | 21.5 | 16.8 | - | - |
| | 67 | 38.7 | 2.4 | 38.7 | 34.0 | 29.4 | 24.7 | 20.1 | - | 36.6 | 2.5 | 36.6 | 32.2 | 27.5 | 22.9 | 18.2 | - |
| | 62 | 36.0 | 2.1 | 36.0 | 36.0 | 34.6 | 30.0 | 25.4 | 20.8 | 33.8 | 2.5 | 33.8 | 33.8 | 32.7 | 28.1 | 23.4 | 18.7 |
| | 57 | 36.3 | 2.1 | 36.3 | 36.3 | 36.3 | 31.6 | 27.0 | 22.4 | 34.3 | 2.5 | 34.3 | 34.3 | 34.3 | 29.7 | 25.0 | 20.3 |
| 1350 | 72 | 43.4 | 1.7 | 33.7 | 28.4 | 23.1 | 17.8 | - | - | 40.5 | 2.5 | 33.0 | 27.7 | 22.5 | 17.3 | - | - |
| | 67 | 39.6 | 2.1 | 39.6 | 35.5 | 30.2 | 25.0 | 19.7 | - | 37.0 | 2.5 | 37.0 | 34.1 | 28.9 | 23.6 | 18.4 | - |
| | 62 | 36.8 | 1.7 | 36.8 | 36.8 | 36.8 | 31.5 | 26.3 | 21.0 | 34.1 | 2.5 | 34.1 | 34.1 | 34.1 | 28.9 | 23.6 | 18.4 |
| | 57 | 37.1 | 1.8 | 37.1 | 37.1 | 37.1 | 31.9 | 26.6 | 21.3 | 34.7 | 2.5 | 34.7 | 34.7 | 34.7 | 29.5 | 24.2 | 19.0 |
| | | | | | 95°F | | | | | | 105°F | | | | | | |
| 1050 | 77 | 41.7 | 3.3 | 23.6 | 19.0 | 14.8 | - | - | - | 38.7 | 3.5 | 23.2 | 17.7 | 13.4 | - | - | - |
| | 72 | 38.4 | 3.0 | 28.3 | 24.1 | 19.8 | 15.6 | - | - | 35.5 | 3.4 | 27.1 | 22.9 | 18.7 | 14.4 | - | - |
| | 67 | 35.1 | 2.7 | 33.0 | 29.1 | 24.9 | 20.6 | 16.4 | - | 32.2 | 3.3 | 31.0 | 28.1 | 23.9 | 19.7 | 15.5 | - |
| | 62 | 32.1 | 3.1 | 32.1 | 32.1 | 29.9 | 25.6 | 21.4 | 17.1 | 29.9 | 3.5 | 29.9 | 29.7 | 27.6 | 23.4 | 19.1 | 14.9 |
| | 57 | 33.0 | 3.0 | 33.0 | 33.0 | 31.4 | 27.1 | 22.9 | 18.7 | 30.8 | 3.4 | 30.8 | 30.6 | 28.9 | 24.6 | 20.4 | 16.2 |
| 1100 | 77 | 41.4 | 3.3 | 24.2 | 19.3 | 14.9 | - | - | - | 38.5 | 3.5 | 24.2 | 18.0 | 13.6 | - | - | - |
| | 72 | 38.1 | 2.9 | 28.9 | 24.4 | 20.0 | 15.6 | - | - | 35.2 | 3.4 | 27.7 | 23.3 | 18.9 | 14.6 | - | - |
| | 67 | 34.9 | 2.6 | 33.5 | 29.6 | 25.2 | 20.8 | 16.3 | - | 32.0 | 3.2 | 31.2 | 28.6 | 24.3 | 19.9 | 15.5 | - |
| | 62 | 31.9 | 3.0 | 31.9 | 31.9 | 30.2 | 25.8 | 21.4 | 17.0 | 29.7 | 3.5 | 29.7 | 29.6 | 28.0 | 23.6 | 19.2 | 14.8 |
| | 57 | 32.8 | 3.0 | 32.8 | 32.8 | 31.7 | 27.3 | 22.9 | 18.5 | 30.5 | 3.4 | 30.5 | 30.4 | 29.3 | 24.9 | 20.5 | 16.2 |
| 1200 | 77 | 40.9 | 3.1 | 25.4 | 20.0 | 15.2 | - | - | - | 37.9 | 3.4 | 26.1 | 18.8 | 14.0 | - | - | - |
| | 72 | 37.7 | 2.8 | 29.9 | 25.2 | 20.5 | 15.7 | - | - | 34.8 | 3.3 | 28.9 | 24.2 | 19.5 | 14.8 | - | - |
| | 67 | 34.5 | 2.5 | 34.5 | 30.4 | 25.7 | 21.0 | 16.2 | - | 31.6 | 3.2 | 31.6 | 29.6 | 25.0 | 20.3 | 15.6 | - |
| | 62 | 31.5 | 2.9 | 31.5 | 31.5 | 30.8 | 26.1 | 21.4 | 16.7 | 29.3 | 3.4 | 29.3 | 29.3 | 28.8 | 24.1 | 19.4 | 14.7 |
| | 57 | 32.4 | 2.9 | 32.4 | 32.4 | 32.4 | 27.7 | 23.0 | 18.2 | 30.1 | 3.4 | 30.1 | 30.1 | 30.1 | 25.4 | 20.8 | 16.1 |
| 1350 | 72 | 37.5 | 3.2 | 32.3 | 27.1 | 21.9 | 16.7 | - | - | 34.7 | 3.5 | 31.0 | 25.8 | 20.6 | 15.4 | - | - |
| | 67 | 34.3 | 2.9 | 34.3 | 32.7 | 27.5 | 22.3 | 17.1 | - | 31.5 | 3.3 | 31.5 | 30.7 | 26.5 | 21.3 | 16.1 | - |
| | 62 | 31.4 | 3.3 | 31.4 | 31.4 | 31.4 | 26.2 | 21.0 | 15.8 | 29.3 | 3.6 | 29.3 | 29.3 | 29.3 | 24.1 | 18.9 | 13.7 |
| | 57 | 32.3 | 3.2 | 32.3 | 32.3 | 32.3 | 27.1 | 21.9 | 16.7 | 30.1 | 3.5 | 30.1 | 30.1 | 30.1 | 24.9 | 19.7 | 14.5 |

DNQ036 (3.0 Ton) (Continued)

| Air on Evaporator Coil | | Temperature of Air on Condenser Coil | | | | | | | | | | | | | | | |
|------------------------|---------|--------------------------------------|-------------------------------|-------------------------|------|------|------|------|------|---------------------------------|-------------------------------|-------------------------|------|------|------|------|------|
| CFM | WB (°F) | Net Capacity ¹ (MBh) | Total Input (kW) ² | Sensible Capacity (MBh) | | | | | | Net Capacity ¹ (MBh) | Total Input (kW) ² | Sensible Capacity (MBh) | | | | | |
| | | | | Return Dry Bulb (°F) | | | | | | | | Return Dry Bulb (°F) | | | | | |
| | | | | 90 | 85 | 80 | 75 | 70 | 65 | | | 90 | 85 | 80 | 75 | 70 | 65 |
| | | | | 115°F | | | | | | 125°F | | | | | | | |
| 1050 | 77 | 35.8 | 3.7 | 22.8 | 16.3 | 12.0 | - | - | - | 32.8 | 3.8 | 22.7 | 15.9 | 10.6 | - | - | - |
| | 72 | 32.6 | 3.8 | 25.9 | 21.7 | 17.5 | 13.3 | - | - | 29.7 | 4.1 | 24.6 | 20.5 | 16.3 | 12.1 | - | - |
| | 67 | 29.4 | 3.8 | 28.9 | 27.1 | 23.0 | 18.8 | 14.6 | - | 26.6 | 4.4 | 26.6 | 26.0 | 22.0 | 17.8 | 13.7 | - |
| | 62 | 27.8 | 3.9 | 27.8 | 27.3 | 25.3 | 21.1 | 16.9 | 12.7 | 25.6 | 4.3 | 25.6 | 24.9 | 23.0 | 18.8 | 14.6 | 10.4 |
| | 57 | 28.5 | 3.8 | 28.5 | 28.2 | 26.3 | 22.1 | 17.9 | 13.7 | 26.3 | 4.2 | 26.3 | 25.8 | 23.8 | 19.6 | 15.4 | 11.3 |
| 1100 | 77 | 35.5 | 3.7 | 24.2 | 16.7 | 12.2 | - | - | - | 32.5 | 3.9 | 24.3 | 16.8 | 10.9 | - | - | - |
| | 72 | 32.3 | 3.8 | 26.5 | 22.2 | 17.8 | 13.5 | - | - | 29.4 | 4.2 | 25.3 | 21.0 | 16.7 | 12.4 | - | - |
| | 67 | 29.2 | 3.9 | 28.9 | 27.6 | 23.4 | 19.1 | 14.7 | - | 26.4 | 4.5 | 26.4 | 26.0 | 22.5 | 18.2 | 13.9 | - |
| | 62 | 27.5 | 3.9 | 27.5 | 27.3 | 25.8 | 21.4 | 17.1 | 12.7 | 25.3 | 4.4 | 25.3 | 24.9 | 23.5 | 19.2 | 14.9 | 10.6 |
| | 57 | 28.3 | 3.8 | 28.3 | 28.1 | 26.8 | 22.5 | 18.1 | 13.8 | 26.0 | 4.3 | 26.0 | 25.7 | 24.4 | 20.1 | 15.7 | 11.4 |
| 1200 | 77 | 34.9 | 3.7 | 26.9 | 17.6 | 12.7 | - | - | - | 31.9 | 4.0 | 27.6 | 18.4 | 11.4 | - | - | - |
| | 72 | 31.8 | 3.8 | 27.8 | 23.1 | 18.5 | 13.8 | - | - | 28.9 | 4.3 | 26.7 | 22.1 | 17.5 | 12.9 | - | - |
| | 67 | 28.7 | 3.9 | 28.7 | 28.7 | 24.3 | 19.7 | 15.0 | - | 25.9 | 4.5 | 25.9 | 25.9 | 23.6 | 19.0 | 14.4 | - |
| | 62 | 27.1 | 3.9 | 27.1 | 27.1 | 26.7 | 22.1 | 17.4 | 12.8 | 24.9 | 4.4 | 24.9 | 24.9 | 24.7 | 20.1 | 15.5 | 10.8 |
| | 57 | 27.8 | 3.9 | 27.8 | 27.8 | 27.8 | 23.2 | 18.6 | 13.9 | 25.6 | 4.4 | 25.6 | 25.6 | 25.6 | 21.0 | 16.3 | 11.7 |
| 1350 | 72 | 31.9 | 3.7 | 29.7 | 24.5 | 19.4 | 14.2 | - | - | 29.0 | 4.0 | 28.5 | 23.3 | 18.1 | 12.9 | - | - |
| | 67 | 28.8 | 3.8 | 28.8 | 28.8 | 25.4 | 20.2 | 15.0 | - | 26.0 | 4.3 | 26.0 | 26.0 | 24.4 | 19.2 | 14.0 | - |
| | 62 | 27.1 | 3.9 | 27.1 | 27.1 | 27.1 | 21.9 | 16.8 | 11.6 | 25.0 | 4.2 | 25.0 | 25.0 | 25.0 | 19.8 | 14.6 | 9.4 |
| | 57 | 27.9 | 3.8 | 27.9 | 27.9 | 27.9 | 22.7 | 17.5 | 12.3 | 25.7 | 4.1 | 25.7 | 25.7 | 25.7 | 20.5 | 15.3 | 10.1 |

1. These capacities are Net Capacities.
2. These ratings include the compressor, condenser fan and supply air blower motors.

DNQ042 (3.5 Ton)

| Air on Evaporator Coil | | Temperature of Air on Condenser Coil | | | | | | | | | | | | | | | |
|------------------------|---------|--------------------------------------|-------------------------------|-------------------------|------|------|------|------|------|---------------------------------|-------------------------------|-------------------------|------|------|------|------|------|
| CFM | WB (°F) | Net Capacity ¹ (MBh) | Total Input (kW) ² | Sensible Capacity (MBh) | | | | | | Net Capacity ¹ (MBh) | Total Input (kW) ² | Sensible Capacity (MBh) | | | | | |
| | | | | Return Dry Bulb (°F) | | | | | | | | Return Dry Bulb (°F) | | | | | |
| | | | | 90 | 85 | 80 | 75 | 70 | 65 | | | 90 | 85 | 80 | 75 | 70 | 65 |
| | | | | 75°F | | | | | | 85°F | | | | | | | |
| 1225 | 77 | 56.1 | 2.4 | 29.5 | 24.5 | 19.3 | - | - | - | 51.8 | 2.7 | 28.3 | 22.6 | 17.4 | - | - | - |
| | 72 | 51.6 | 2.4 | 36.9 | 31.7 | 26.4 | 21.2 | - | - | 48.1 | 2.7 | 35.3 | 30.1 | 24.8 | 19.6 | - | - |
| | 67 | 47.2 | 2.4 | 44.3 | 38.9 | 33.6 | 28.4 | 23.1 | - | 44.4 | 2.7 | 42.4 | 37.5 | 32.3 | 27.0 | 21.8 | - |
| | 62 | 42.1 | 2.3 | 42.1 | 41.8 | 36.7 | 31.4 | 26.2 | 20.9 | 40.5 | 2.7 | 40.5 | 40.3 | 36.9 | 31.7 | 26.4 | 21.2 |
| | 57 | 42.9 | 2.4 | 42.9 | 42.9 | 39.8 | 34.5 | 29.3 | 24.1 | 40.0 | 2.7 | 40.0 | 40.0 | 37.5 | 32.3 | 27.0 | 21.8 |
| 1400 | 77 | 56.2 | 2.4 | 31.6 | 26.1 | 20.2 | - | - | - | 52.9 | 2.7 | 31.1 | 24.4 | 18.5 | - | - | - |
| | 72 | 51.8 | 2.4 | 39.5 | 33.6 | 27.7 | 21.9 | - | - | 49.1 | 2.7 | 38.2 | 32.3 | 26.4 | 20.4 | - | - |
| | 67 | 47.4 | 2.4 | 47.4 | 41.1 | 35.2 | 29.4 | 23.5 | - | 45.3 | 2.7 | 45.3 | 40.2 | 34.2 | 28.3 | 22.4 | - |
| | 62 | 42.2 | 2.4 | 42.2 | 42.2 | 38.4 | 32.5 | 26.6 | 20.7 | 41.3 | 2.7 | 41.3 | 41.3 | 39.2 | 33.3 | 27.3 | 21.4 |
| | 57 | 43.0 | 2.4 | 43.0 | 43.0 | 41.7 | 35.8 | 30.0 | 24.1 | 40.9 | 2.7 | 40.9 | 40.9 | 39.8 | 33.9 | 28.0 | 22.0 |
| 1575 | 72 | 51.4 | 2.4 | 42.3 | 35.9 | 29.5 | 23.1 | - | - | 48.9 | 2.7 | 41.0 | 34.6 | 28.1 | 21.6 | - | - |
| | 67 | 46.9 | 2.4 | 46.9 | 43.8 | 37.5 | 31.1 | 24.7 | - | 45.1 | 2.7 | 45.1 | 42.5 | 36.5 | 30.1 | 23.6 | - |
| | 62 | 41.8 | 2.4 | 41.8 | 41.8 | 39.9 | 33.5 | 27.1 | 20.7 | 41.1 | 2.7 | 41.1 | 41.1 | 40.1 | 33.6 | 27.1 | 20.7 |
| | 57 | 42.6 | 2.4 | 42.6 | 42.6 | 42.0 | 35.6 | 29.2 | 22.8 | 40.7 | 2.7 | 40.7 | 40.7 | 40.2 | 33.7 | 27.2 | 20.8 |
| | 1750 | 72 | 50.9 | 2.4 | 45.1 | 38.2 | 31.3 | 24.4 | - | - | 48.7 | 2.7 | 43.9 | 36.9 | 29.9 | 22.9 | - |
| 67 | | 46.5 | 2.4 | 46.5 | 46.5 | 39.7 | 32.9 | 26.0 | - | 44.9 | 2.7 | 44.9 | 44.9 | 38.8 | 31.8 | 24.8 | - |
| 62 | | 41.4 | 2.4 | 41.4 | 41.4 | 41.4 | 34.5 | 27.6 | 20.8 | 41.0 | 2.7 | 41.0 | 41.0 | 41.0 | 34.0 | 27.0 | 20.0 |
| 57 | | 42.2 | 2.4 | 42.2 | 42.2 | 42.2 | 35.4 | 28.5 | 21.6 | 40.5 | 2.7 | 40.5 | 40.5 | 40.5 | 33.5 | 26.5 | 19.5 |
| | | | | 95°F | | | | | | 105°F | | | | | | | |
| 1225 | 77 | 47.6 | 3.0 | 27.1 | 20.8 | 15.5 | - | - | - | 46.1 | 3.4 | 28.7 | 21.2 | 15.7 | - | - | - |
| | 72 | 44.6 | 3.0 | 33.8 | 28.5 | 23.2 | 17.9 | - | - | 42.6 | 3.4 | 33.6 | 28.2 | 22.9 | 17.5 | - | - |
| | 67 | 41.5 | 3.0 | 40.4 | 36.2 | 30.9 | 25.6 | 20.4 | - | 39.0 | 3.3 | 38.5 | 35.2 | 30.0 | 24.6 | 19.3 | - |
| | 62 | 38.8 | 3.0 | 38.8 | 38.8 | 37.2 | 31.9 | 26.7 | 21.4 | 37.4 | 3.3 | 37.4 | 37.0 | 34.4 | 29.1 | 23.7 | 18.4 |
| | 57 | 37.2 | 3.0 | 37.2 | 37.2 | 35.3 | 30.0 | 24.7 | 19.4 | 35.4 | 3.3 | 35.4 | 35.4 | 33.5 | 28.1 | 22.8 | 17.4 |
| 1400 | 77 | 49.6 | 3.0 | 30.7 | 22.7 | 16.7 | - | - | - | 47.2 | 3.4 | 33.2 | 23.1 | 16.8 | - | - | - |
| | 72 | 46.4 | 3.0 | 36.9 | 31.0 | 25.0 | 19.0 | - | - | 43.5 | 3.3 | 36.6 | 30.5 | 24.4 | 18.4 | - | - |
| | 67 | 43.2 | 3.0 | 43.2 | 39.2 | 33.3 | 27.3 | 21.3 | - | 39.9 | 3.3 | 39.9 | 37.9 | 32.0 | 26.0 | 19.9 | - |
| | 62 | 40.4 | 3.0 | 40.4 | 40.4 | 40.0 | 34.0 | 28.1 | 22.1 | 38.3 | 3.3 | 38.3 | 38.3 | 36.8 | 30.8 | 24.7 | 18.6 |
| | 57 | 38.7 | 3.0 | 38.7 | 38.7 | 37.9 | 32.0 | 26.0 | 20.0 | 36.1 | 3.3 | 36.1 | 36.1 | 35.8 | 29.7 | 23.6 | 17.6 |
| 1575 | 72 | 46.5 | 3.0 | 39.8 | 33.3 | 26.7 | 20.2 | - | - | 43.9 | 3.4 | 39.3 | 32.7 | 26.1 | 19.5 | - | - |
| | 67 | 43.3 | 3.0 | 43.3 | 41.3 | 35.6 | 29.0 | 22.5 | - | 40.3 | 3.3 | 40.3 | 39.3 | 34.2 | 27.6 | 20.9 | - |
| | 62 | 40.5 | 3.0 | 40.5 | 40.5 | 40.3 | 33.7 | 27.2 | 20.6 | 38.6 | 3.3 | 38.6 | 38.6 | 37.9 | 31.3 | 24.7 | 18.1 |
| | 57 | 38.8 | 3.0 | 38.8 | 38.8 | 38.4 | 31.8 | 25.3 | 18.7 | 36.5 | 3.3 | 36.5 | 36.5 | 36.3 | 29.7 | 23.1 | 16.4 |
| | 1750 | 72 | 46.5 | 3.0 | 42.7 | 35.6 | 28.4 | 21.3 | - | - | 44.4 | 3.4 | 42.1 | 34.9 | 27.7 | 20.5 | - |
| 67 | | 43.3 | 3.0 | 43.3 | 43.3 | 37.9 | 30.8 | 23.7 | - | 40.6 | 3.3 | 40.6 | 40.6 | 36.3 | 29.2 | 22.0 | - |
| 62 | | 40.5 | 3.0 | 40.5 | 40.5 | 40.5 | 33.4 | 26.3 | 19.2 | 39.0 | 3.3 | 39.0 | 39.0 | 39.0 | 31.8 | 24.6 | 17.5 |
| 57 | | 38.8 | 3.0 | 38.8 | 38.8 | 38.8 | 31.7 | 24.6 | 17.5 | 36.9 | 3.3 | 36.9 | 36.9 | 36.9 | 29.7 | 22.5 | 15.3 |

DNQ042 (3.5 Ton) (Continued)

| Air on Evaporator Coil | | Temperature of Air on Condenser Coil | | | | | | | | | | | | | | | |
|------------------------|---------|--------------------------------------|-------------------------------|-------------------------|------|------|------|------|------|---------------------------------|-------------------------------|-------------------------|------|------|------|------|------|
| CFM | WB (°F) | Net Capacity ¹ (MBh) | Total Input (kW) ² | Sensible Capacity (MBh) | | | | | | Net Capacity ¹ (MBh) | Total Input (kW) ² | Sensible Capacity (MBh) | | | | | |
| | | | | Return Dry Bulb (°F) | | | | | | | | Return Dry Bulb (°F) | | | | | |
| | | | | 90 | 85 | 80 | 75 | 70 | 65 | | | 90 | 85 | 80 | 75 | 70 | 65 |
| | | | | 115°F | | | | | | 125°F | | | | | | | |
| 1225 | 77 | 44.7 | 3.7 | 30.2 | 21.6 | 16.0 | - | - | - | 43.2 | 4.1 | 32.3 | 23.0 | 16.2 | - | - | - |
| | 72 | 40.6 | 3.7 | 33.4 | 27.9 | 22.5 | 17.1 | - | - | 38.6 | 4.0 | 33.2 | 27.7 | 22.2 | 16.7 | - | - |
| | 67 | 36.5 | 3.7 | 36.5 | 34.3 | 29.0 | 23.6 | 18.2 | - | 34.0 | 4.0 | 34.0 | 33.3 | 28.1 | 22.6 | 17.1 | - |
| | 62 | 36.1 | 3.7 | 36.1 | 35.3 | 31.7 | 26.3 | 20.8 | 15.4 | 34.7 | 4.0 | 34.7 | 33.5 | 28.9 | 23.4 | 17.9 | 12.4 |
| | 57 | 33.6 | 3.7 | 33.6 | 33.6 | 31.7 | 26.2 | 20.8 | 15.4 | 31.8 | 4.0 | 31.8 | 31.8 | 29.8 | 24.3 | 18.8 | 13.3 |
| 1400 | 77 | 44.7 | 3.7 | 35.8 | 23.5 | 17.0 | - | - | - | 42.2 | 4.1 | 38.4 | 25.9 | 17.1 | - | - | - |
| | 72 | 40.6 | 3.7 | 36.2 | 30.0 | 23.9 | 17.8 | - | - | 37.7 | 4.1 | 35.8 | 29.6 | 23.4 | 17.1 | - | - |
| | 67 | 36.5 | 3.7 | 36.5 | 36.5 | 30.8 | 24.7 | 18.6 | - | 33.2 | 4.1 | 33.2 | 33.2 | 29.6 | 23.4 | 17.2 | - |
| | 62 | 36.1 | 3.7 | 36.1 | 36.1 | 33.6 | 27.5 | 21.3 | 15.2 | 33.9 | 4.0 | 33.9 | 33.9 | 30.4 | 24.2 | 18.0 | 11.8 |
| | 57 | 33.6 | 3.7 | 33.6 | 33.6 | 33.6 | 27.5 | 21.3 | 15.2 | 31.0 | 4.0 | 31.0 | 31.0 | 31.0 | 25.2 | 19.0 | 12.8 |
| 1575 | 72 | 41.4 | 3.7 | 38.8 | 32.1 | 25.4 | 18.7 | - | - | 38.9 | 4.1 | 38.3 | 31.6 | 24.8 | 18.0 | - | - |
| | 67 | 37.3 | 3.7 | 37.3 | 37.3 | 32.8 | 26.1 | 19.4 | - | 34.2 | 4.1 | 34.2 | 34.2 | 31.4 | 24.7 | 17.9 | - |
| | 62 | 36.8 | 3.7 | 36.8 | 36.8 | 35.6 | 28.9 | 22.2 | 15.5 | 35.0 | 4.0 | 35.0 | 35.0 | 33.2 | 26.5 | 19.7 | 12.9 |
| | 57 | 34.2 | 3.7 | 34.2 | 34.2 | 34.2 | 27.6 | 20.9 | 14.2 | 32.0 | 4.0 | 32.0 | 32.0 | 32.0 | 25.4 | 18.7 | 11.9 |
| | 72 | 42.2 | 3.7 | 41.5 | 34.2 | 27.0 | 19.7 | - | - | 40.1 | 4.1 | 40.1 | 33.6 | 26.2 | 18.9 | - | - |
| 1750 | 67 | 38.0 | 3.7 | 38.0 | 38.0 | 34.8 | 27.6 | 20.3 | - | 35.3 | 4.1 | 35.3 | 35.3 | 33.3 | 25.9 | 18.6 | - |
| | 62 | 37.5 | 3.7 | 37.5 | 37.5 | 37.5 | 30.3 | 23.0 | 15.8 | 36.0 | 4.0 | 36.0 | 36.0 | 36.0 | 28.7 | 21.4 | 14.1 |
| | 57 | 34.9 | 3.7 | 34.9 | 34.9 | 34.9 | 27.7 | 20.4 | 13.2 | 33.0 | 4.0 | 33.0 | 33.0 | 33.0 | 25.6 | 18.3 | 11.0 |

1. These capacities are Net Capacities.
2. These ratings include the compressor, condenser fan and supply air blower motors.

DNQ048 (4.0 Ton)

| Air on Evaporator Coil | | Temperature of Air on Condenser Coil | | | | | | | | | | | | | | | |
|------------------------|---------|--------------------------------------|-------------------------------|-------------------------|------|------|------|------|------|---------------------------------|-------------------------------|-------------------------|------|------|------|------|------|
| CFM | WB (°F) | Net Capacity ¹ (MBh) | Total Input (kW) ² | Sensible Capacity (MBh) | | | | | | Net Capacity ¹ (MBh) | Total Input (kW) ² | Sensible Capacity (MBh) | | | | | |
| | | | | Return Dry Bulb (°F) | | | | | | | | Return Dry Bulb (°F) | | | | | |
| | | | | 90 | 85 | 80 | 75 | 70 | 65 | | | 90 | 85 | 80 | 75 | 70 | 65 |
| | | | | 75°F | | | | | | 85°F | | | | | | | |
| 1400 | 77 | 58.8 | 2.6 | 31.6 | 26.4 | 20.6 | - | - | - | 56.2 | 3.0 | 31.9 | 25.9 | 20.1 | - | - | - |
| | 72 | 55.0 | 2.6 | 40.1 | 34.3 | 28.5 | 22.7 | - | - | 52.6 | 3.0 | 39.6 | 33.8 | 27.9 | 22.0 | - | - |
| | 67 | 51.2 | 2.6 | 48.6 | 42.2 | 36.4 | 30.6 | 24.8 | - | 49.0 | 3.0 | 47.3 | 41.6 | 35.7 | 29.8 | 24.0 | - |
| | 62 | 45.7 | 2.6 | 45.7 | 45.7 | 44.3 | 38.6 | 32.8 | 27.0 | 45.7 | 2.9 | 45.7 | 45.7 | 43.2 | 37.3 | 31.5 | 25.6 |
| | 57 | 45.6 | 2.5 | 45.6 | 45.6 | 41.7 | 35.9 | 30.2 | 24.4 | 44.2 | 2.9 | 44.2 | 44.2 | 40.7 | 34.8 | 29.0 | 23.1 |
| 1500 | 77 | 58.8 | 2.6 | 32.5 | 27.5 | 21.2 | - | - | - | 56.0 | 3.0 | 33.2 | 26.8 | 20.5 | - | - | - |
| | 72 | 55.0 | 2.6 | 41.9 | 35.6 | 29.4 | 23.2 | - | - | 52.4 | 3.0 | 41.0 | 34.8 | 28.5 | 22.3 | - | - |
| | 67 | 51.2 | 2.6 | 51.2 | 43.8 | 37.6 | 31.4 | 25.2 | - | 48.8 | 3.0 | 48.8 | 42.8 | 36.5 | 30.3 | 24.0 | - |
| | 62 | 45.7 | 2.6 | 45.7 | 45.7 | 45.7 | 39.6 | 33.4 | 27.2 | 45.5 | 3.0 | 45.5 | 45.5 | 44.2 | 38.0 | 31.7 | 25.5 |
| | 57 | 45.6 | 2.5 | 45.6 | 45.6 | 43.1 | 36.9 | 30.7 | 24.5 | 44.1 | 2.9 | 44.1 | 44.1 | 41.6 | 35.4 | 29.1 | 22.9 |
| 1650 | 72 | 55.0 | 2.6 | 44.3 | 37.6 | 30.9 | 24.2 | - | - | 52.0 | 3.0 | 43.4 | 36.7 | 29.9 | 23.2 | - | - |
| | 67 | 51.2 | 2.6 | 51.2 | 46.7 | 39.5 | 32.8 | 26.1 | - | 48.5 | 3.0 | 48.5 | 45.1 | 38.3 | 31.6 | 24.8 | - |
| | 62 | 45.7 | 2.6 | 45.7 | 45.7 | 45.7 | 39.1 | 32.4 | 25.7 | 45.2 | 3.0 | 45.2 | 45.2 | 44.5 | 37.8 | 31.0 | 24.2 |
| | 57 | 45.6 | 2.5 | 45.6 | 45.6 | 44.3 | 37.6 | 30.9 | 24.2 | 43.8 | 2.9 | 43.8 | 43.8 | 42.5 | 35.8 | 29.0 | 22.2 |
| | 1800 | 72 | 54.9 | 2.6 | 46.7 | 39.6 | 32.4 | 25.2 | - | - | 51.6 | 3.0 | 45.9 | 38.6 | 31.3 | 24.0 | - |
| 67 | | 51.1 | 2.6 | 51.1 | 49.7 | 41.4 | 34.2 | 27.0 | - | 48.1 | 3.0 | 48.1 | 47.4 | 40.1 | 32.8 | 25.6 | - |
| 62 | | 45.7 | 2.6 | 45.7 | 45.7 | 45.7 | 38.5 | 31.4 | 24.2 | 44.8 | 2.9 | 44.8 | 44.8 | 44.8 | 37.6 | 30.3 | 23.0 |
| 57 | | 45.6 | 2.5 | 45.6 | 45.6 | 45.6 | 38.4 | 31.2 | 24.0 | 43.4 | 2.9 | 43.4 | 43.4 | 43.4 | 36.2 | 28.9 | 21.6 |
| | | | | 95°F | | | | | | 105°F | | | | | | | |
| 1400 | 77 | 53.5 | 3.4 | 32.2 | 25.5 | 19.6 | - | - | - | 50.4 | 3.8 | 32.6 | 24.5 | 18.5 | - | - | - |
| | 72 | 50.2 | 3.3 | 39.2 | 33.2 | 27.3 | 21.4 | - | - | 47.3 | 3.8 | 38.3 | 32.2 | 26.2 | 20.2 | - | - |
| | 67 | 46.8 | 3.3 | 46.1 | 41.0 | 35.0 | 29.1 | 23.1 | - | 44.3 | 3.8 | 43.9 | 40.0 | 34.0 | 27.9 | 21.9 | - |
| | 62 | 45.6 | 3.3 | 45.6 | 45.6 | 42.1 | 36.1 | 30.2 | 24.3 | 43.6 | 3.7 | 43.6 | 43.2 | 39.0 | 33.0 | 27.0 | 20.9 |
| | 57 | 42.9 | 3.3 | 42.9 | 42.9 | 39.6 | 33.7 | 27.8 | 21.8 | 42.5 | 3.7 | 42.5 | 42.1 | 38.0 | 32.0 | 26.0 | 20.0 |
| 1500 | 77 | 53.1 | 3.4 | 33.9 | 26.1 | 19.8 | - | - | - | 49.9 | 3.8 | 35.2 | 25.2 | 18.8 | - | - | - |
| | 72 | 49.8 | 3.3 | 40.2 | 33.9 | 27.6 | 21.4 | - | - | 46.8 | 3.8 | 39.5 | 33.1 | 26.7 | 20.3 | - | - |
| | 67 | 46.4 | 3.3 | 46.4 | 41.7 | 35.5 | 29.2 | 22.9 | - | 43.8 | 3.7 | 43.8 | 41.0 | 34.6 | 28.2 | 21.8 | - |
| | 62 | 45.2 | 3.3 | 45.2 | 45.2 | 42.6 | 36.3 | 30.1 | 23.8 | 43.1 | 3.7 | 43.1 | 43.1 | 39.7 | 33.3 | 26.9 | 20.5 |
| | 57 | 42.5 | 3.3 | 42.5 | 42.5 | 40.1 | 33.9 | 27.6 | 21.3 | 42.0 | 3.7 | 42.0 | 42.0 | 38.7 | 32.3 | 25.9 | 19.5 |
| 1650 | 72 | 49.1 | 3.3 | 42.6 | 35.8 | 28.9 | 22.1 | - | - | 45.8 | 3.8 | 41.3 | 34.7 | 27.8 | 20.9 | - | - |
| | 67 | 45.7 | 3.3 | 45.7 | 43.4 | 37.1 | 30.3 | 23.5 | - | 42.8 | 3.7 | 42.8 | 41.4 | 36.0 | 29.1 | 22.1 | - |
| | 62 | 44.6 | 3.3 | 44.6 | 44.6 | 43.3 | 36.5 | 29.6 | 22.8 | 42.2 | 3.7 | 42.2 | 42.2 | 40.4 | 33.5 | 26.6 | 19.6 |
| | 57 | 41.9 | 3.3 | 41.9 | 41.9 | 40.7 | 33.9 | 27.1 | 20.3 | 41.1 | 3.7 | 41.1 | 41.1 | 39.4 | 32.5 | 25.5 | 18.6 |
| | 1800 | 72 | 48.3 | 3.3 | 45.0 | 37.6 | 30.2 | 22.9 | - | - | 44.8 | 3.8 | 43.1 | 36.4 | 28.9 | 21.5 | - |
| 67 | | 45.1 | 3.3 | 45.1 | 45.1 | 38.8 | 31.5 | 24.1 | - | 41.9 | 3.7 | 41.9 | 41.9 | 37.5 | 30.0 | 22.5 | - |
| 62 | | 44.0 | 3.3 | 44.0 | 44.0 | 44.0 | 36.6 | 29.2 | 21.8 | 41.2 | 3.7 | 41.2 | 41.2 | 41.2 | 33.7 | 26.3 | 18.8 |
| 57 | | 41.3 | 3.3 | 41.3 | 41.3 | 41.3 | 33.9 | 26.6 | 19.2 | 40.1 | 3.7 | 40.1 | 40.1 | 40.1 | 32.6 | 25.2 | 17.7 |

DNQ048 (4.0 Ton) (Continued)

| Air on Evaporator Coil | | Temperature of Air on Condenser Coil | | | | | | | | | | | | | | | |
|------------------------|---------|--------------------------------------|-------------------------------|-------------------------|------|------|------|------|------|---------------------------------|-------------------------------|-------------------------|------|------|------|------|------|
| CFM | WB (°F) | Net Capacity ¹ (MBh) | Total Input (kW) ² | Sensible Capacity (MBh) | | | | | | Net Capacity ¹ (MBh) | Total Input (kW) ² | Sensible Capacity (MBh) | | | | | |
| | | | | Return Dry Bulb (°F) | | | | | | | | Return Dry Bulb (°F) | | | | | |
| | | | | 90 | 85 | 80 | 75 | 70 | 65 | | | 90 | 85 | 80 | 75 | 70 | 65 |
| | | | | 115°F | | | | | | 125°F | | | | | | | |
| 1400 | 77 | 47.2 | 4.2 | 32.9 | 23.5 | 17.4 | - | - | - | 44.1 | 4.6 | 33.6 | 23.0 | 16.4 | - | - | - |
| | 72 | 44.5 | 4.2 | 37.4 | 31.3 | 25.2 | 19.1 | - | - | 41.7 | 4.6 | 36.4 | 30.3 | 24.1 | 17.9 | - | - |
| | 67 | 41.8 | 4.2 | 41.8 | 39.0 | 32.9 | 26.8 | 20.7 | - | 39.3 | 4.6 | 39.3 | 38.0 | 31.8 | 25.6 | 19.5 | - |
| | 62 | 41.5 | 4.2 | 41.5 | 40.8 | 35.9 | 29.8 | 23.7 | 17.6 | 39.5 | 4.6 | 39.5 | 38.5 | 32.8 | 26.6 | 20.5 | 14.3 |
| | 57 | 42.0 | 4.2 | 42.0 | 41.4 | 36.4 | 30.3 | 24.2 | 18.1 | 41.6 | 4.6 | 41.6 | 40.6 | 34.8 | 28.6 | 22.5 | 16.3 |
| 1500 | 77 | 46.6 | 4.2 | 36.4 | 24.4 | 17.9 | - | - | - | 43.4 | 4.6 | 37.7 | 24.3 | 16.9 | - | - | - |
| | 72 | 43.9 | 4.2 | 38.8 | 32.3 | 25.8 | 19.2 | - | - | 41.0 | 4.6 | 38.2 | 31.5 | 24.8 | 18.2 | - | - |
| | 67 | 41.2 | 4.2 | 41.2 | 40.2 | 33.7 | 27.1 | 20.6 | - | 38.6 | 4.6 | 38.6 | 38.6 | 32.8 | 26.1 | 19.4 | - |
| | 62 | 41.0 | 4.1 | 41.0 | 41.0 | 36.8 | 30.2 | 23.7 | 17.2 | 38.8 | 4.6 | 38.8 | 38.8 | 33.8 | 27.2 | 20.5 | 13.8 |
| | 57 | 41.5 | 4.1 | 41.5 | 41.5 | 37.3 | 30.8 | 24.2 | 17.7 | 41.0 | 4.6 | 41.0 | 41.0 | 35.9 | 29.2 | 22.5 | 15.9 |
| 1650 | 72 | 42.6 | 4.2 | 40.0 | 33.7 | 26.7 | 19.6 | - | - | 39.3 | 4.6 | 38.7 | 32.7 | 25.6 | 18.4 | - | - |
| | 67 | 39.9 | 4.2 | 39.9 | 39.4 | 34.9 | 27.8 | 20.8 | - | 37.0 | 4.6 | 37.0 | 37.0 | 33.7 | 26.6 | 19.4 | - |
| | 62 | 39.7 | 4.2 | 39.7 | 39.7 | 37.6 | 30.5 | 23.5 | 16.4 | 37.3 | 4.6 | 37.3 | 37.3 | 34.8 | 27.6 | 20.4 | 13.3 |
| | 57 | 40.2 | 4.1 | 40.2 | 40.2 | 38.1 | 31.1 | 24.0 | 17.0 | 39.3 | 4.6 | 39.3 | 39.3 | 36.8 | 29.6 | 22.5 | 15.3 |
| | 72 | 41.2 | 4.2 | 41.2 | 35.2 | 27.6 | 20.1 | - | - | 37.6 | 4.6 | 37.6 | 34.0 | 26.3 | 18.6 | - | - |
| 1800 | 67 | 38.7 | 4.2 | 38.7 | 38.7 | 36.1 | 28.5 | 21.0 | - | 35.4 | 4.6 | 35.4 | 35.4 | 34.7 | 27.1 | 19.4 | - |
| | 62 | 38.4 | 4.2 | 38.4 | 38.4 | 38.4 | 30.9 | 23.3 | 15.7 | 35.7 | 4.6 | 35.7 | 35.7 | 35.7 | 28.0 | 20.4 | 12.7 |
| | 57 | 38.9 | 4.2 | 38.9 | 38.9 | 38.9 | 31.4 | 23.8 | 16.2 | 37.7 | 4.6 | 37.7 | 37.7 | 37.7 | 30.1 | 22.4 | 14.7 |

1. These capacities are Net Capacities.
2. These ratings include the compressor, condenser fan and supply air blower motors.

DNQ060 (5.0 Ton)

| Air on Evaporator Coil | | Temperature of Air on Condenser Coil | | | | | | | | | | | | | | | |
|------------------------|---------|--------------------------------------|-------------------------------|-------------------------|------|------|------|------|------|---------------------------------|-------------------------------|-------------------------|------|------|------|------|------|
| CFM | WB (°F) | Net Capacity ¹ (MBh) | Total Input (kW) ² | Sensible Capacity (MBh) | | | | | | Net Capacity ¹ (MBh) | Total Input (kW) ² | Sensible Capacity (MBh) | | | | | |
| | | | | Return Dry Bulb (°F) | | | | | | | | Return Dry Bulb (°F) | | | | | |
| | | | | 90 | 85 | 80 | 75 | 70 | 65 | | | 90 | 85 | 80 | 75 | 70 | 65 |
| | | | | 75°F | | | | | | 85°F | | | | | | | |
| 1550 | 77 | 66.9 | 3.3 | 34.4 | 28.0 | 21.6 | - | - | - | 65.1 | 3.7 | 32.9 | 26.6 | 20.2 | - | - | - |
| | 72 | 61.6 | 3.2 | 43.2 | 36.8 | 30.4 | 24.0 | - | - | 60.4 | 3.7 | 42.3 | 36.0 | 29.6 | 23.3 | - | - |
| | 67 | 56.2 | 3.2 | 52.1 | 45.7 | 39.3 | 32.9 | 26.5 | - | 55.7 | 3.6 | 51.7 | 45.4 | 39.0 | 32.7 | 26.3 | - |
| | 62 | 51.9 | 3.2 | 51.9 | 51.9 | 47.1 | 40.7 | 34.3 | 27.8 | 51.4 | 3.6 | 51.4 | 51.4 | 45.6 | 39.3 | 32.9 | 26.6 |
| | 57 | 51.4 | 3.2 | 51.4 | 51.4 | 47.5 | 41.1 | 34.7 | 28.3 | 50.8 | 3.6 | 50.8 | 50.8 | 45.7 | 39.4 | 33.0 | 26.7 |
| 1650 | 77 | 71.0 | 3.3 | 36.0 | 30.4 | 23.8 | - | - | - | 67.6 | 3.7 | 35.5 | 28.8 | 22.1 | - | - | - |
| | 72 | 65.4 | 3.2 | 46.8 | 40.1 | 33.5 | 26.8 | - | - | 62.7 | 3.7 | 45.7 | 39.0 | 32.4 | 25.7 | - | - |
| | 67 | 59.7 | 3.2 | 57.6 | 49.8 | 43.2 | 36.5 | 29.8 | - | 57.9 | 3.6 | 55.9 | 49.3 | 42.6 | 36.0 | 29.3 | - |
| | 62 | 55.1 | 3.2 | 55.1 | 55.1 | 51.7 | 45.0 | 38.4 | 31.7 | 53.3 | 3.6 | 53.3 | 53.3 | 49.9 | 43.2 | 36.6 | 29.9 |
| | 57 | 54.5 | 3.2 | 54.5 | 54.5 | 52.2 | 45.6 | 38.9 | 32.2 | 52.7 | 3.6 | 52.7 | 52.7 | 50.0 | 43.3 | 36.7 | 30.0 |
| 1750 | 77 | 75.1 | 3.3 | 37.6 | 32.8 | 25.9 | - | - | - | 70.1 | 3.7 | 38.0 | 30.9 | 24.0 | - | - | - |
| | 72 | 69.1 | 3.2 | 50.4 | 43.4 | 36.5 | 29.5 | - | - | 65.0 | 3.7 | 49.0 | 42.1 | 35.1 | 28.2 | - | - |
| | 67 | 63.2 | 3.2 | 63.2 | 54.0 | 47.1 | 40.1 | 33.1 | - | 60.0 | 3.6 | 60.0 | 53.2 | 46.3 | 39.3 | 32.4 | - |
| | 62 | 58.3 | 3.2 | 58.3 | 58.3 | 56.4 | 49.4 | 42.5 | 35.5 | 55.3 | 3.6 | 55.3 | 55.3 | 54.1 | 47.2 | 40.2 | 33.3 |
| | 57 | 57.7 | 3.2 | 57.7 | 57.7 | 57.0 | 50.0 | 43.0 | 36.1 | 54.7 | 3.6 | 54.7 | 54.7 | 54.2 | 47.3 | 40.3 | 33.4 |
| 2000 | 72 | 69.3 | 3.2 | 51.8 | 44.2 | 36.7 | 29.1 | - | - | 65.0 | 3.7 | 50.3 | 42.6 | 34.8 | 27.0 | - | - |
| | 67 | 63.4 | 3.2 | 63.4 | 54.9 | 47.3 | 39.8 | 32.2 | - | 59.9 | 3.6 | 59.9 | 53.6 | 45.8 | 38.0 | 30.2 | - |
| | 62 | 58.5 | 3.2 | 58.5 | 58.5 | 56.7 | 49.1 | 41.6 | 34.0 | 55.2 | 3.6 | 55.2 | 55.2 | 53.6 | 45.8 | 38.0 | 30.2 |
| | 57 | 57.9 | 3.2 | 57.9 | 57.9 | 57.2 | 49.7 | 42.1 | 34.6 | 54.6 | 3.6 | 54.6 | 54.6 | 53.7 | 45.9 | 38.1 | 30.3 |
| | | | | 95°F | | | | | | 105°F | | | | | | | |
| 1550 | 77 | 63.3 | 4.1 | 31.4 | 25.1 | 18.8 | - | - | - | 59.3 | 4.4 | 36.6 | 29.5 | 23.1 | - | - | - |
| | 72 | 59.2 | 4.1 | 41.4 | 35.1 | 28.8 | 22.5 | - | - | 55.2 | 4.5 | 42.9 | 36.5 | 30.1 | 23.7 | - | - |
| | 67 | 55.2 | 4.1 | 51.4 | 45.1 | 38.8 | 32.4 | 26.1 | - | 51.1 | 4.6 | 49.1 | 43.5 | 37.1 | 30.7 | 24.3 | - |
| | 62 | 50.8 | 4.0 | 50.8 | 50.5 | 44.2 | 37.9 | 31.6 | 25.3 | 47.4 | 4.5 | 47.4 | 47.3 | 44.2 | 37.7 | 31.3 | 24.9 |
| | 57 | 50.2 | 4.0 | 50.2 | 50.2 | 43.9 | 37.6 | 31.3 | 25.0 | 47.3 | 4.4 | 47.3 | 47.3 | 44.1 | 37.7 | 31.3 | 24.9 |
| 1650 | 77 | 64.2 | 4.1 | 34.9 | 27.1 | 20.5 | - | - | - | 60.1 | 4.5 | 39.1 | 30.7 | 23.8 | - | - | - |
| | 72 | 60.1 | 4.1 | 44.5 | 37.9 | 31.3 | 24.7 | - | - | 55.9 | 4.6 | 45.0 | 38.1 | 31.2 | 24.4 | - | - |
| | 67 | 56.0 | 4.1 | 54.1 | 48.7 | 42.1 | 35.5 | 28.9 | - | 51.8 | 4.6 | 50.8 | 45.5 | 38.6 | 31.8 | 24.9 | - |
| | 62 | 51.5 | 4.0 | 51.5 | 51.4 | 48.1 | 41.4 | 34.8 | 28.2 | 48.1 | 4.5 | 48.1 | 48.0 | 46.4 | 39.5 | 32.6 | 25.8 |
| | 57 | 50.9 | 4.0 | 50.9 | 50.9 | 47.7 | 41.1 | 34.5 | 27.8 | 47.9 | 4.5 | 47.9 | 47.9 | 46.3 | 39.5 | 32.6 | 25.8 |
| 1750 | 77 | 65.1 | 4.1 | 38.4 | 29.0 | 22.1 | - | - | - | 60.9 | 4.6 | 41.5 | 31.9 | 24.6 | - | - | - |
| | 72 | 60.9 | 4.1 | 47.6 | 40.7 | 33.8 | 26.8 | - | - | 56.7 | 4.6 | 47.0 | 39.7 | 32.4 | 25.1 | - | - |
| | 67 | 56.8 | 4.1 | 56.8 | 52.4 | 45.4 | 38.5 | 31.6 | - | 52.5 | 4.7 | 52.5 | 47.5 | 40.2 | 32.9 | 25.6 | - |
| | 62 | 52.2 | 4.0 | 52.2 | 52.2 | 51.9 | 44.9 | 38.0 | 31.1 | 48.8 | 4.6 | 48.8 | 48.8 | 48.6 | 41.3 | 34.0 | 26.7 |
| | 57 | 51.6 | 4.0 | 51.6 | 51.6 | 51.5 | 44.6 | 37.6 | 30.7 | 48.6 | 4.5 | 48.6 | 48.6 | 48.5 | 41.2 | 33.9 | 26.6 |
| 2000 | 72 | 60.6 | 4.1 | 48.9 | 40.9 | 32.9 | 24.8 | - | - | 56.5 | 4.5 | 50.6 | 42.6 | 34.6 | 26.6 | - | - |
| | 67 | 56.5 | 4.0 | 56.5 | 52.2 | 44.2 | 36.2 | 28.2 | - | 52.3 | 4.6 | 52.3 | 50.2 | 42.6 | 34.6 | 26.6 | - |
| | 62 | 52.0 | 4.0 | 52.0 | 52.0 | 50.5 | 42.5 | 34.5 | 26.4 | 48.6 | 4.4 | 48.6 | 48.6 | 47.8 | 39.8 | 31.8 | 23.8 |
| | 57 | 51.4 | 4.0 | 51.4 | 51.4 | 50.1 | 42.1 | 34.1 | 26.1 | 48.4 | 4.4 | 48.4 | 48.4 | 47.8 | 39.8 | 31.8 | 23.7 |

DNQ060 (5.0 Ton) (Continued)

| Air on Evaporator Coil | | Temperature of Air on Condenser Coil | | | | | | | | | | | | | | | |
|------------------------|---------|--------------------------------------|-------------------------------|-------------------------|------|------|------|------|------|---------------------------------|-------------------------------|-------------------------|------|------|------|------|------|
| CFM | WB (°F) | Net Capacity ¹ (MBh) | Total Input (kW) ² | Sensible Capacity (MBh) | | | | | | Net Capacity ¹ (MBh) | Total Input (kW) ² | Sensible Capacity (MBh) | | | | | |
| | | | | Return Dry Bulb (°F) | | | | | | | | Return Dry Bulb (°F) | | | | | |
| | | | | 90 | 85 | 80 | 75 | 70 | 65 | | | 90 | 85 | 80 | 75 | 70 | 65 |
| | | | | 115°F | | | | | | 125°F | | | | | | | |
| 1550 | 77 | 55.3 | 4.8 | 41.8 | 33.9 | 27.3 | - | - | - | 51.3 | 5.1 | 49.0 | 38.2 | 31.6 | - | - | - |
| | 72 | 51.1 | 5.0 | 44.4 | 37.9 | 31.4 | 24.9 | - | - | 47.0 | 5.4 | 45.9 | 39.3 | 32.6 | 26.0 | - | - |
| | 67 | 46.9 | 5.1 | 46.9 | 41.9 | 35.4 | 28.9 | 22.4 | - | 42.8 | 5.7 | 42.8 | 40.3 | 33.7 | 27.1 | 20.5 | - |
| | 62 | 44.1 | 4.9 | 44.1 | 44.1 | 44.1 | 37.6 | 31.0 | 24.5 | 40.7 | 5.3 | 40.7 | 40.7 | 40.7 | 37.4 | 30.7 | 24.1 |
| | 57 | 44.4 | 4.8 | 44.4 | 44.4 | 44.4 | 37.8 | 31.3 | 24.8 | 41.4 | 5.1 | 41.4 | 41.4 | 41.4 | 38.0 | 31.4 | 24.7 |
| 1650 | 77 | 56.0 | 4.9 | 43.2 | 34.3 | 27.2 | - | - | - | 52.0 | 5.3 | 48.3 | 37.9 | 30.6 | - | - | - |
| | 72 | 51.8 | 5.1 | 45.4 | 38.3 | 31.2 | 24.1 | - | - | 47.7 | 5.5 | 45.9 | 38.5 | 31.2 | 23.8 | - | - |
| | 67 | 47.6 | 5.2 | 47.6 | 42.3 | 35.2 | 28.1 | 21.0 | - | 43.4 | 5.8 | 43.4 | 39.1 | 31.8 | 24.4 | 17.1 | - |
| | 62 | 44.7 | 5.0 | 44.7 | 44.7 | 44.7 | 37.6 | 30.5 | 23.4 | 41.3 | 5.5 | 41.3 | 41.3 | 41.3 | 35.6 | 28.3 | 21.0 |
| | 57 | 45.0 | 4.9 | 45.0 | 45.0 | 45.0 | 37.9 | 30.8 | 23.7 | 42.0 | 5.3 | 42.0 | 42.0 | 42.0 | 36.3 | 28.9 | 21.6 |
| 1750 | 77 | 56.8 | 5.0 | 44.6 | 34.8 | 27.1 | - | - | - | 52.7 | 5.4 | 47.7 | 37.6 | 29.6 | - | - | - |
| | 72 | 52.5 | 5.2 | 46.4 | 38.7 | 31.0 | 23.3 | - | - | 48.3 | 5.7 | 45.8 | 37.8 | 29.7 | 21.6 | - | - |
| | 67 | 48.2 | 5.3 | 48.2 | 42.7 | 35.0 | 27.3 | 19.6 | - | 43.9 | 6.0 | 43.9 | 37.9 | 29.8 | 21.7 | 13.7 | - |
| | 62 | 45.3 | 5.1 | 45.3 | 45.3 | 45.3 | 37.6 | 29.9 | 22.2 | 41.8 | 5.7 | 41.8 | 41.8 | 41.8 | 33.9 | 25.8 | 17.8 |
| | 57 | 45.6 | 5.0 | 45.6 | 45.6 | 45.6 | 37.9 | 30.2 | 22.5 | 42.6 | 5.4 | 42.6 | 42.6 | 42.6 | 34.6 | 26.5 | 18.4 |
| 2000 | 72 | 52.4 | 4.9 | 52.4 | 44.4 | 36.3 | 28.3 | - | - | 48.3 | 5.3 | 48.3 | 46.1 | 38.1 | 30.1 | - | - |
| | 67 | 48.1 | 5.1 | 48.1 | 48.1 | 41.0 | 33.0 | 25.0 | - | 44.0 | 5.6 | 44.0 | 44.0 | 39.4 | 31.4 | 23.3 | - |
| | 62 | 45.2 | 4.9 | 45.2 | 45.2 | 45.2 | 37.2 | 29.2 | 21.1 | 41.8 | 5.3 | 41.8 | 41.8 | 41.8 | 34.5 | 26.5 | 18.5 |
| | 57 | 45.5 | 4.7 | 45.5 | 45.5 | 45.5 | 37.5 | 29.5 | 21.4 | 42.6 | 5.1 | 42.6 | 42.6 | 42.6 | 35.2 | 27.1 | 19.1 |

1. These capacities are Net Capacities.
2. These ratings include the compressor, condenser fan and supply air blower motors.

DNX024-048 Cooling Capacities

DNX024 (2.0 Ton)

| Air on Evaporator Coil | | Temperature of Air on Condenser Coil | | | | | | | | | | | | | | | |
|------------------------|---------|--------------------------------------|-------------------------------|-------------------------|------|------|------|------|------|---------------------------------|-------------------------------|-------------------------|------|------|------|------|------|
| CFM | WB (°F) | Net Capacity ¹ (MBh) | Total Input (kW) ² | Sensible Capacity (MBh) | | | | | | Net Capacity ¹ (MBh) | Total Input (kW) ² | Sensible Capacity (MBh) | | | | | |
| | | | | Return Dry Bulb (°F) | | | | | | | | Return Dry Bulb (°F) | | | | | |
| | | | | 90 | 85 | 80 | 75 | 70 | 65 | | | 90 | 85 | 80 | 75 | 70 | 65 |
| | | | | 75°F | | | | | | 85°F | | | | | | | |
| 600 | 77 | 24.9 | 1.2 | 11.4 | 8.7 | 9.0 | - | - | - | 23.6 | 1.3 | 11.9 | 10.1 | 8.3 | - | - | |
| | 72 | 22.8 | 1.1 | 16.1 | 13.0 | 11.8 | 9.7 | - | - | 21.4 | 1.3 | 15.6 | 13.4 | 11.2 | 9.0 | - | |
| | 67 | 20.8 | 1.1 | 20.8 | 17.3 | 14.7 | 12.1 | 9.5 | - | 19.2 | 1.3 | 19.2 | 16.7 | 14.0 | 11.4 | 8.7 | |
| | 62 | 18.3 | 1.1 | 18.3 | 18.3 | 17.7 | 13.7 | 9.8 | 5.8 | 17.2 | 1.3 | 17.2 | 17.2 | 16.9 | 12.8 | 8.8 | 4.7 |
| | 57 | 19.5 | 1.0 | 19.5 | 19.5 | 19.4 | 15.1 | 10.9 | 6.6 | 17.8 | 1.2 | 17.8 | 17.8 | 17.7 | 13.5 | 9.3 | 5.1 |
| 800 | 77 | 32.1 | 1.8 | 15.1 | 13.3 | 10.8 | - | - | - | 30.6 | 2.0 | 15.6 | 12.9 | 10.3 | - | - | |
| | 72 | 29.8 | 1.8 | 21.1 | 18.2 | 15.3 | 12.4 | - | - | 28.2 | 1.9 | 20.6 | 17.6 | 14.6 | 11.6 | - | |
| | 67 | 27.4 | 1.7 | 27.1 | 23.0 | 19.7 | 16.5 | 13.2 | - | 25.7 | 1.9 | 25.5 | 22.2 | 18.9 | 15.7 | 12.4 | |
| | 62 | 25.0 | 1.7 | 25.0 | 25.0 | 24.2 | 20.8 | 17.4 | 14.0 | 23.6 | 1.8 | 23.6 | 23.6 | 23.1 | 19.7 | 16.2 | 12.8 |
| | 57 | 25.6 | 1.7 | 25.6 | 25.6 | 25.6 | 21.9 | 18.1 | 14.3 | 23.9 | 1.9 | 23.9 | 23.9 | 23.7 | 20.1 | 16.5 | 12.9 |
| | | | | 95°F | | | | | | 105°F | | | | | | | |
| 600 | 77 | 22.3 | 1.5 | 12.5 | 11.4 | 7.6 | - | - | - | 20.1 | 1.7 | 13.0 | 8.7 | 6.8 | - | - | |
| | 72 | 19.9 | 1.5 | 15.1 | 13.7 | 10.5 | 8.2 | - | - | 18.0 | 1.7 | 14.5 | 11.4 | 9.8 | 7.4 | - | |
| | 67 | 17.6 | 1.4 | 17.6 | 16.0 | 13.4 | 10.7 | 8.0 | - | 15.9 | 1.6 | 15.9 | 14.1 | 12.7 | 9.1 | 5.6 | |
| | 62 | 16.1 | 1.4 | 16.1 | 16.1 | 16.1 | 11.9 | 7.7 | 3.6 | 14.6 | 1.6 | 14.6 | 14.6 | 15.1 | 10.8 | 5.9 | 2.3 |
| | 57 | 16.1 | 1.4 | 16.1 | 16.1 | 15.9 | 11.8 | 7.7 | 3.6 | 14.9 | 1.6 | 14.9 | 14.7 | 14.6 | 11.2 | 7.8 | 4.3 |
| 800 | 77 | 29.2 | 2.1 | 16.1 | 12.5 | 9.8 | - | - | - | 26.9 | 2.4 | 17.0 | 11.9 | 9.0 | - | - | |
| | 72 | 26.6 | 2.1 | 20.1 | 17.0 | 14.0 | 10.9 | - | - | 24.4 | 2.3 | 19.4 | 16.3 | 13.2 | 10.0 | - | |
| | 67 | 24.0 | 2.1 | 24.0 | 21.5 | 18.2 | 14.8 | 11.5 | - | 21.9 | 2.3 | 21.9 | 20.7 | 17.3 | 13.9 | 10.5 | |
| | 62 | 22.2 | 2.0 | 22.2 | 22.2 | 22.1 | 18.6 | 15.1 | 11.5 | 20.3 | 2.3 | 20.3 | 20.3 | 21.0 | 17.4 | 13.8 | 10.1 |
| | 57 | 22.2 | 2.0 | 22.2 | 22.2 | 21.7 | 18.3 | 14.9 | 11.5 | 20.7 | 2.3 | 20.7 | 20.7 | 20.1 | 16.6 | 13.1 | 9.6 |
| | | | | 115°F | | | | | | | | | | | | | |
| 600 | 77 | 18.0 | 1.9 | 13.5 | 6.0 | 6.0 | - | - | - | | | | | | | | |
| | 72 | 16.1 | 1.9 | 13.9 | 9.0 | 9.0 | 6.6 | - | - | | | | | | | | |
| | 67 | 14.3 | 1.8 | 14.3 | 12.1 | 12.1 | 7.6 | 3.1 | - | | | | | | | | |
| | 62 | 13.1 | 1.8 | 13.1 | 13.1 | 14.1 | 9.7 | 4.1 | 1.0 | | | | | | | | |
| | 57 | 13.8 | 1.8 | 13.8 | 13.3 | 13.3 | 10.5 | 7.8 | 5.1 | | | | | | | | |
| 800 | 77 | 24.5 | 2.6 | 17.8 | 11.4 | 8.3 | - | - | - | | | | | | | | |
| | 72 | 22.2 | 2.6 | 18.8 | 15.6 | 12.4 | 9.1 | - | - | | | | | | | | |
| | 67 | 19.8 | 2.5 | 19.8 | 19.8 | 16.5 | 13.0 | 9.4 | - | | | | | | | | |
| | 62 | 18.5 | 2.5 | 18.5 | 18.5 | 19.9 | 16.2 | 12.5 | 8.7 | | | | | | | | |
| | 57 | 19.2 | 2.5 | 19.2 | 19.2 | 18.5 | 14.9 | 11.3 | 7.6 | | | | | | | | |

1. These capacities are Net Capacities.
2. These ratings include the compressor, condenser fan and supply air blower motors.

DNX036 (3.0 Ton)

| Air on Evaporator Coil | | Temperature of Air on Condenser Coil | | | | | | | | | | | | | | | |
|------------------------|---------|--------------------------------------|-------------------------------|-------------------------|------|------|------|------|------|---------------------------------|-------------------------------|-------------------------|------|------|------|------|------|
| CFM | WB (°F) | Net Capacity ¹ (MBh) | Total Input (kW) ² | Sensible Capacity (MBh) | | | | | | Net Capacity ¹ (MBh) | Total Input (kW) ² | Sensible Capacity (MBh) | | | | | |
| | | | | Return Dry Bulb (°F) | | | | | | | | Return Dry Bulb (°F) | | | | | |
| | | | | 90 | 85 | 80 | 75 | 70 | 65 | | | 90 | 85 | 80 | 75 | 70 | 65 |
| | | | | 75°F | | | | | | 85°F | | | | | | | |
| 925 | 77 | 35.2 | 1.5 | 20.9 | 13.3 | 11.6 | - | - | - | 33.3 | 1.7 | 21.2 | 15.1 | 11.3 | - | - | - |
| | 72 | 32.3 | 1.5 | 25.2 | 20.0 | 17.0 | 12.9 | - | - | 30.4 | 1.7 | 24.4 | 20.3 | 16.3 | 12.3 | - | - |
| | 67 | 29.5 | 1.5 | 29.5 | 26.8 | 22.4 | 18.1 | 13.8 | - | 27.5 | 1.7 | 27.5 | 25.5 | 21.4 | 17.2 | 13.0 | - |
| | 62 | 26.8 | 1.5 | 26.8 | 26.8 | 27.2 | 22.5 | 17.8 | 13.2 | 25.1 | 1.7 | 25.1 | 25.1 | 25.1 | 20.8 | 16.5 | 12.2 |
| | 57 | 28.2 | 1.6 | 28.2 | 28.2 | 25.4 | 21.2 | 17.0 | 12.8 | 25.9 | 1.8 | 25.9 | 25.9 | 24.2 | 20.0 | 15.9 | 11.7 |
| 1275 | 77 | 48.7 | 2.8 | 23.8 | 19.3 | 14.7 | - | - | - | 46.5 | 3.0 | 25.5 | 19.4 | 14.7 | - | - | - |
| | 72 | 45.7 | 2.6 | 33.3 | 28.3 | 23.2 | 18.2 | - | - | 43.2 | 2.9 | 32.7 | 27.6 | 22.5 | 17.3 | - | - |
| | 67 | 42.8 | 2.5 | 42.8 | 37.2 | 31.7 | 26.1 | 20.6 | - | 39.9 | 2.8 | 39.9 | 35.8 | 30.2 | 24.6 | 19.0 | - |
| | 62 | 38.0 | 2.3 | 38.0 | 38.0 | 34.6 | 29.8 | 24.9 | 20.0 | 36.7 | 2.6 | 36.7 | 36.7 | 34.0 | 28.7 | 23.5 | 18.3 |
| | 57 | 38.4 | 2.5 | 38.4 | 38.4 | 35.9 | 30.3 | 24.7 | 19.1 | 36.7 | 2.8 | 36.7 | 36.7 | 34.4 | 28.8 | 23.1 | 17.5 |
| | | | | 95°F | | | | | | 105°F | | | | | | | |
| 925 | 77 | 31.5 | 1.9 | 21.5 | 17.0 | 11.0 | - | - | - | 29.0 | 2.2 | 21.9 | 13.1 | 10.1 | - | - | - |
| | 72 | 28.5 | 1.9 | 23.6 | 20.7 | 15.6 | 11.7 | - | - | 26.2 | 2.2 | 22.7 | 17.3 | 14.8 | 10.9 | - | - |
| | 67 | 25.6 | 1.9 | 25.6 | 24.3 | 20.3 | 16.2 | 12.2 | - | 23.4 | 2.2 | 23.4 | 21.5 | 19.5 | 15.4 | 11.3 | - |
| | 62 | 23.4 | 1.9 | 23.4 | 23.4 | 23.0 | 19.1 | 15.1 | 11.2 | 21.5 | 2.2 | 21.5 | 21.5 | 21.3 | 17.3 | 12.3 | 9.4 |
| | 57 | 23.6 | 1.9 | 23.6 | 23.6 | 22.9 | 18.8 | 14.8 | 10.7 | 22.3 | 2.2 | 22.3 | 21.6 | 21.3 | 17.2 | 13.2 | 9.2 |
| 1275 | 77 | 44.4 | 3.2 | 27.2 | 19.4 | 14.7 | - | - | - | 41.3 | 3.5 | 27.9 | 18.8 | 13.7 | - | - | - |
| | 72 | 40.7 | 3.1 | 32.1 | 26.9 | 21.7 | 16.5 | - | - | 37.8 | 3.4 | 31.1 | 25.9 | 20.7 | 15.4 | - | - |
| | 67 | 37.0 | 3.1 | 37.0 | 34.3 | 28.7 | 23.1 | 17.4 | - | 34.3 | 3.4 | 34.3 | 33.0 | 27.6 | 22.0 | 16.3 | - |
| | 62 | 35.4 | 2.9 | 35.4 | 35.4 | 33.3 | 27.7 | 22.1 | 16.5 | 32.4 | 3.3 | 32.4 | 32.4 | 31.4 | 25.6 | 19.8 | 14.1 |
| | 57 | 35.0 | 3.0 | 35.0 | 35.0 | 32.9 | 27.2 | 21.6 | 15.9 | 33.0 | 3.3 | 33.0 | 33.0 | 31.1 | 25.4 | 19.6 | 13.9 |
| | | | | 115°F | | | | | | | | | | | | | |
| 925 | 77 | 26.5 | 2.4 | 22.3 | 9.2 | 9.2 | - | - | - | | | | | | | | |
| | 72 | 23.9 | 2.4 | 21.8 | 14.0 | 14.0 | 10.1 | - | - | | | | | | | | |
| | 67 | 21.3 | 2.4 | 21.3 | 18.7 | 18.7 | 14.6 | 10.4 | - | | | | | | | | |
| | 62 | 19.6 | 2.4 | 19.6 | 19.6 | 19.6 | 15.6 | 9.6 | 7.7 | | | | | | | | |
| | 57 | 21.0 | 2.4 | 21.0 | 19.7 | 19.7 | 15.7 | 11.7 | 7.6 | | | | | | | | |
| 1275 | 77 | 38.3 | 3.8 | 28.6 | 18.1 | 12.8 | - | - | - | | | | | | | | |
| | 72 | 35.0 | 3.8 | 30.2 | 24.9 | 19.6 | 14.4 | - | - | | | | | | | | |
| | 67 | 31.7 | 3.7 | 31.7 | 31.7 | 26.5 | 20.8 | 15.2 | - | | | | | | | | |
| | 62 | 29.5 | 3.6 | 29.5 | 29.5 | 29.5 | 23.5 | 17.6 | 11.6 | | | | | | | | |
| | 57 | 30.9 | 3.6 | 30.9 | 30.9 | 29.4 | 23.5 | 17.7 | 11.8 | | | | | | | | |

1. These capacities are Net Capacities.
2. These ratings include the compressor, condenser fan and supply air blower motors.

DNX048 (4.0 Ton)

| Air on Evaporator Coil | | Temperature of Air on Condenser Coil | | | | | | | | | | | | | | | |
|------------------------|---------|--------------------------------------|-------------------------------|-------------------------|------|------|------|------|------|---------------------------------|-------------------------------|-------------------------|------|------|------|------|------|
| CFM | WB (°F) | Net Capacity ¹ (MBh) | Total Input (kW) ² | Sensible Capacity (MBh) | | | | | | Net Capacity ¹ (MBh) | Total Input (kW) ² | Sensible Capacity (MBh) | | | | | |
| | | | | Return Dry Bulb (°F) | | | | | | | | Return Dry Bulb (°F) | | | | | |
| | | | | 90 | 85 | 80 | 75 | 70 | 65 | | | 90 | 85 | 80 | 75 | 70 | 65 |
| | | | | 75°F | | | | | | 85°F | | | | | | | |
| 1000 | 77 | 45.3 | 2.2 | 23.2 | 17.3 | 14.8 | - | - | - | 42.8 | 2.5 | 22.7 | 18.4 | 14.2 | - | - | - |
| | 72 | 42.0 | 2.2 | 29.7 | 24.2 | 20.6 | 16.0 | - | - | 39.6 | 2.5 | 28.9 | 24.3 | 19.8 | 15.2 | - | - |
| | 67 | 38.8 | 2.2 | 36.3 | 31.1 | 26.3 | 21.5 | 16.7 | - | 36.4 | 2.5 | 35.1 | 30.2 | 25.3 | 20.5 | 15.6 | - |
| | 62 | 34.4 | 2.2 | 34.4 | 34.4 | 31.7 | 27.3 | 22.8 | 18.4 | 32.4 | 2.5 | 32.4 | 32.4 | 30.7 | 26.2 | 21.7 | 17.2 |
| | 57 | 33.6 | 2.2 | 33.6 | 33.6 | 33.0 | 28.4 | 23.8 | 19.2 | 31.7 | 2.4 | 31.7 | 31.7 | 31.2 | 26.6 | 21.9 | 17.3 |
| 1550 | 77 | 64.7 | 3.9 | 31.1 | 26.6 | 20.8 | - | - | - | 60.7 | 4.2 | 31.0 | 25.2 | 19.4 | - | - | - |
| | 72 | 59.6 | 3.8 | 42.0 | 35.7 | 29.4 | 23.2 | - | - | 56.0 | 4.1 | 40.7 | 34.4 | 28.1 | 21.7 | - | - |
| | 67 | 54.5 | 3.7 | 52.9 | 44.9 | 38.1 | 31.2 | 24.4 | - | 51.2 | 4.0 | 50.4 | 43.6 | 36.8 | 29.9 | 23.1 | - |
| | 62 | 50.3 | 3.5 | 50.3 | 50.3 | 46.3 | 39.4 | 32.4 | 25.5 | 47.6 | 3.8 | 47.6 | 47.6 | 44.4 | 37.5 | 30.5 | 23.6 |
| | 57 | 48.8 | 3.5 | 48.8 | 48.8 | 48.3 | 41.5 | 34.7 | 27.9 | 46.5 | 3.7 | 46.5 | 46.5 | 46.3 | 39.3 | 32.3 | 25.4 |
| | | | | 95°F | | | | | | 105°F | | | | | | | |
| 1000 | 77 | 40.4 | 2.8 | 22.2 | 19.6 | 13.5 | - | - | - | 37.5 | 3.1 | 23.2 | 15.4 | 12.4 | - | - | - |
| | 72 | 37.2 | 2.8 | 28.1 | 24.4 | 18.9 | 14.4 | - | - | 34.3 | 3.1 | 27.2 | 20.6 | 17.9 | 13.2 | - | - |
| | 67 | 34.0 | 2.8 | 34.0 | 29.3 | 24.4 | 19.4 | 14.4 | - | 31.1 | 3.1 | 31.1 | 25.8 | 23.3 | 18.6 | 13.8 | - |
| | 62 | 30.5 | 2.7 | 30.5 | 30.5 | 29.6 | 25.0 | 20.5 | 15.9 | 28.0 | 3.1 | 28.0 | 28.0 | 27.7 | 23.1 | 18.1 | 13.8 |
| | 57 | 29.8 | 2.7 | 29.8 | 29.8 | 29.4 | 24.7 | 20.0 | 15.4 | 28.0 | 3.0 | 28.0 | 27.9 | 27.7 | 22.8 | 17.9 | 13.0 |
| 1550 | 77 | 56.8 | 4.5 | 30.9 | 23.8 | 17.9 | - | - | - | 52.1 | 4.9 | 32.0 | 22.7 | 16.7 | - | - | - |
| | 72 | 52.4 | 4.4 | 39.4 | 33.1 | 26.7 | 20.3 | - | - | 48.4 | 4.7 | 38.4 | 31.9 | 25.5 | 19.0 | - | - |
| | 67 | 48.0 | 4.3 | 48.0 | 42.3 | 35.5 | 28.6 | 21.8 | - | 44.8 | 4.6 | 44.8 | 41.2 | 34.2 | 27.2 | 20.2 | - |
| | 62 | 44.8 | 4.1 | 44.8 | 44.8 | 42.6 | 35.6 | 28.6 | 21.6 | 42.0 | 4.4 | 42.0 | 42.0 | 40.4 | 33.4 | 26.4 | 19.3 |
| | 57 | 44.3 | 4.0 | 44.3 | 44.3 | 44.3 | 37.1 | 30.0 | 22.8 | 41.9 | 4.4 | 41.9 | 41.9 | 41.0 | 33.9 | 26.7 | 19.6 |
| | | | | 115°F | | | | | | | | | | | | | |
| 1000 | 77 | 34.7 | 3.5 | 24.2 | 11.2 | 11.2 | - | - | - | | | | | | | | |
| | 72 | 31.5 | 3.5 | 26.2 | 16.8 | 16.8 | 12.0 | - | - | | | | | | | | |
| | 67 | 28.2 | 3.4 | 28.2 | 22.3 | 22.3 | 17.8 | 13.3 | - | | | | | | | | |
| | 62 | 25.4 | 3.4 | 25.4 | 25.4 | 25.8 | 21.1 | 15.8 | 11.7 | | | | | | | | |
| | 57 | 26.3 | 3.4 | 26.3 | 25.9 | 25.9 | 20.9 | 15.8 | 10.7 | | | | | | | | |
| 1550 | 77 | 47.4 | 5.3 | 33.2 | 21.6 | 15.5 | - | - | - | | | | | | | | |
| | 72 | 44.5 | 5.1 | 37.4 | 30.8 | 24.2 | 17.6 | - | - | | | | | | | | |
| | 67 | 41.6 | 5.0 | 41.6 | 40.0 | 32.9 | 25.8 | 18.7 | - | | | | | | | | |
| | 62 | 39.2 | 4.8 | 39.2 | 39.2 | 38.2 | 31.2 | 24.1 | 17.0 | | | | | | | | |
| | 57 | 39.4 | 4.8 | 39.4 | 39.4 | 37.8 | 30.6 | 23.5 | 16.3 | | | | | | | | |

1. These capacities are Net Capacities.
2. These ratings include the compressor, condenser fan and supply air blower motors.

Airflow Performance

DNZ Side Duct Application

| Model (Tons) | Unit Speed | External Static Pressure (Inch Water Gauge) | | | | | | | | | | | | | | |
|--------------|-----------------|---|-----|------|------|-----|------|------|-----|------|------|-----|------|------|-----|------|
| | | 0.2 | | | 0.4 | | | 0.6 | | | 0.8 | | | 1.0 | | |
| | | SCFM | W | RPM | SCFM | W | RPM | SCFM | W | RPM | SCFM | W | RPM | SCFM | W | RPM |
| DNZ024 (2.0) | Low (1) | 719 | 115 | 752 | 617 | 130 | 858 | - | - | - | - | - | - | - | - | - |
| | Low/Medium (2) | 781 | 137 | 789 | 691 | 155 | 891 | - | - | - | - | - | - | - | - | - |
| | Medium (3) | 902 | 187 | 858 | 824 | 207 | 949 | 734 | 223 | 1037 | 622 | 230 | 1116 | - | - | - |
| | Medium/High (4) | - | - | - | 937 | 258 | 998 | 845 | 270 | 1075 | 722 | 271 | 1146 | - | - | - |
| | High (5) | - | - | - | - | - | - | 933 | 316 | 1104 | 796 | 307 | 1162 | - | - | - |
| DNZ030 (2.5) | Low (1) | 827 | 163 | 825 | 759 | 187 | 919 | - | - | - | - | - | - | - | - | - |
| | Low/Medium (2) | 988 | 251 | 914 | 916 | 269 | 992 | 831 | 282 | 1067 | - | - | - | - | - | - |
| | Medium (3) | 1113 | 322 | 984 | 1035 | 333 | 1047 | 941 | 337 | 1108 | 818 | 329 | 1162 | - | - | - |
| | Medium/High (4) | 1233 | 394 | 1050 | 1145 | 394 | 1099 | 1040 | 388 | 1145 | 901 | 367 | 1184 | - | - | - |
| | High (5) | - | - | - | - | - | - | 1078 | 425 | 1164 | 867 | 353 | 1173 | - | - | - |
| DNZ036 (3.0) | Low (1) | 1032 | 236 | 789 | 921 | 258 | 853 | - | - | - | - | - | - | - | - | - |
| | Low/Medium (2) | 1185 | 317 | 859 | 1089 | 347 | 924 | 985 | 373 | 991 | - | - | - | - | - | - |
| | Medium (3) | 1304 | 395 | 913 | 1214 | 424 | 978 | 1114 | 448 | 1040 | 994 | 462 | 1098 | - | - | - |
| | Medium/High (4) | 1445 | 515 | 976 | 1357 | 532 | 1041 | 1252 | 542 | 1097 | 1117 | 537 | 1140 | - | - | - |
| | High (5) | - | - | - | 1498 | 708 | 1108 | 1363 | 665 | 1157 | 1179 | 599 | 1178 | - | - | - |
| DNZ042 (3.5) | Low (1) | 1114 | 176 | 642 | - | - | - | - | - | - | - | - | - | - | - | - |
| | Low/Medium (2) | 1223 | 230 | 679 | 1056 | 264 | 773 | - | - | - | - | - | - | - | - | - |
| | Medium (3) | 1641 | 404 | 751 | 1418 | 460 | 872 | 1288 | 492 | 942 | 1187 | 518 | 997 | 1101 | 540 | 1044 |
| | Medium/High (4) | - | - | - | 1535 | 547 | 904 | 1398 | 582 | 976 | 1292 | 606 | 1030 | 1203 | 624 | 1074 |
| | High (5) | - | - | - | 1665 | 664 | 940 | 1514 | 701 | 1015 | 1399 | 720 | 1067 | 1304 | 729 | 1106 |
| DNZ048 (4.0) | Low (1) | 1378 | 310 | 749 | 1209 | 343 | 840 | - | - | - | - | - | - | - | - | - |
| | Low/Medium (2) | 1414 | 331 | 763 | 1253 | 366 | 851 | - | - | - | - | - | - | - | - | - |
| | Medium (3) | 1713 | 544 | 872 | 1604 | 587 | 940 | 1484 | 624 | 1005 | 1343 | 653 | 1067 | - | - | - |
| | Medium/High (4) | 1882 | 703 | 931 | 1786 | 740 | 987 | 1671 | 769 | 1044 | 1522 | 783 | 1099 | 1231 | 717 | 1142 |
| | High (5) | - | - | - | 1972 | 946 | 1037 | 1851 | 949 | 1078 | 1689 | 927 | 1118 | 1306 | 759 | 1142 |
| DNZ060 (5.0) | Low (1) | 1556 | 416 | 802 | - | - | - | - | - | - | - | - | - | - | - | - |
| | Low/Medium (2) | 1648 | 489 | 843 | 1522 | 529 | 917 | - | - | - | - | - | - | - | - | - |
| | Medium (3) | 1767 | 595 | 892 | 1664 | 633 | 954 | 1546 | 668 | 1015 | - | - | - | - | - | - |
| | Medium/High (4) | 1913 | 739 | 946 | 1819 | 769 | 996 | 1702 | 791 | 1049 | 1550 | 800 | 1102 | - | - | - |
| | High (5) | 2103 | 952 | 1007 | 1990 | 957 | 1047 | 1855 | 948 | 1086 | 1674 | 912 | 1122 | - | - | - |

DNZ Bottom Duct Application

| Model (Tons) | Unit Speed | External Static Pressure (Inch Water Gauge) | | | | | | | | | | | | | | |
|--------------|-----------------|---|-----|------|------|-----|------|------|-----|------|------|-----|------|------|-----|------|
| | | 0.2 | | | 0.4 | | | 0.6 | | | 0.8 | | | 1.0 | | |
| | | SCFM | W | RPM | SCFM | W | RPM | SCFM | W | RPM | SCFM | W | RPM | SCFM | W | RPM |
| DNZ024 (2.0) | Low (1) | 719 | 115 | 752 | 617 | 130 | 858 | - | - | - | - | - | - | - | - | - |
| | Low/Medium (2) | 781 | 137 | 789 | 691 | 155 | 891 | - | - | - | - | - | - | - | - | - |
| | Medium (3) | 902 | 187 | 858 | 824 | 207 | 949 | 734 | 223 | 1037 | 622 | 230 | 1116 | - | - | - |
| | Medium/High (4) | - | - | - | 937 | 258 | 998 | 845 | 270 | 1075 | 722 | 271 | 1146 | - | - | - |
| | High (5) | - | - | - | - | - | - | 933 | 316 | 1104 | 796 | 307 | 1162 | - | - | - |
| DNZ030 (2.5) | Low (1) | 827 | 163 | 825 | 759 | 187 | 919 | - | - | - | - | - | - | - | - | - |
| | Low/Medium (2) | 988 | 251 | 914 | 916 | 269 | 992 | 831 | 282 | 1067 | - | - | - | - | - | - |
| | Medium (3) | 1113 | 322 | 984 | 1035 | 333 | 1047 | 941 | 337 | 1108 | 818 | 329 | 1162 | - | - | - |
| | Medium/High (4) | 1233 | 394 | 1050 | 1145 | 394 | 1099 | 1040 | 388 | 1145 | 901 | 367 | 1184 | - | - | - |
| | High (5) | - | - | - | - | - | - | 1078 | 425 | 1164 | 867 | 353 | 1173 | - | - | - |
| DNZ036 (3.0) | Low (1) | 1032 | 236 | 789 | 921 | 258 | 853 | - | - | - | - | - | - | - | - | - |
| | Low/Medium (2) | 1185 | 317 | 859 | 1089 | 347 | 924 | 985 | 373 | 991 | - | - | - | - | - | - |
| | Medium (3) | 1304 | 395 | 913 | 1214 | 424 | 978 | 1114 | 448 | 1040 | 994 | 462 | 1098 | - | - | - |
| | Medium/High (4) | 1445 | 515 | 976 | 1357 | 532 | 1041 | 1252 | 542 | 1097 | 1117 | 537 | 1140 | - | - | - |
| | High (5) | - | - | - | 1498 | 708 | 1108 | 1363 | 665 | 1157 | 1179 | 599 | 1178 | - | - | - |
| DNZ042 (3.5) | Low (1) | 1114 | 176 | 642 | - | - | - | - | - | - | - | - | - | - | - | - |
| | Low/Medium (2) | 1223 | 230 | 679 | 1056 | 264 | 773 | - | - | - | - | - | - | - | - | - |
| | Medium (3) | 1641 | 404 | 751 | 1418 | 460 | 872 | 1288 | 492 | 942 | 1187 | 518 | 997 | 1101 | 540 | 1044 |
| | Medium/High (4) | - | - | - | 1535 | 547 | 904 | 1398 | 582 | 976 | 1292 | 606 | 1030 | 1203 | 624 | 1074 |
| | High (5) | - | - | - | 1665 | 664 | 940 | 1514 | 701 | 1015 | 1399 | 720 | 1067 | 1304 | 729 | 1106 |
| DNZ048 (4.0) | Low (1) | 1378 | 310 | 749 | 1209 | 343 | 840 | - | - | - | - | - | - | - | - | - |
| | Low/Medium (2) | 1414 | 331 | 763 | 1253 | 366 | 851 | - | - | - | - | - | - | - | - | - |
| | Medium (3) | 1713 | 544 | 872 | 1604 | 587 | 940 | 1484 | 624 | 1005 | 1343 | 653 | 1067 | - | - | - |
| | Medium/High (4) | 1882 | 703 | 931 | 1786 | 740 | 987 | 1671 | 769 | 1044 | 1522 | 783 | 1099 | 1231 | 717 | 1142 |
| | High (5) | - | - | - | 1972 | 946 | 1037 | 1851 | 949 | 1078 | 1689 | 927 | 1118 | 1306 | 759 | 1142 |
| DNZ060 (5.0) | Low (1) | 1556 | 416 | 802 | - | - | - | - | - | - | - | - | - | - | - | - |
| | Low/Medium (2) | 1648 | 489 | 843 | 1522 | 529 | 917 | - | - | - | - | - | - | - | - | - |
| | Medium (3) | 1767 | 595 | 892 | 1664 | 633 | 954 | 1546 | 668 | 1015 | - | - | - | - | - | - |
| | Medium/High (4) | 1913 | 739 | 946 | 1819 | 769 | 996 | 1702 | 791 | 1049 | 1550 | 800 | 1102 | - | - | - |
| | High (5) | 2103 | 952 | 1007 | 1990 | 957 | 1047 | 1855 | 948 | 1086 | 1674 | 912 | 1122 | - | - | - |

DNQ Side Duct Application

| Model (Tons) | Mode | | Thermostat Input | Speed Tap | CFM | External Static Pressure (Inch Water Gauge) | | | | | | | | |
|-----------------|------|------|---------------------|--------------|------|---|-------|-------|-------|-------|-------|-------|-------|-------|
| | | | | | | 0.2 | 0.3 | 0.4 | 0.5 | 0.6 | 0.7 | 0.8 | 0.9 | 1.0 |
| | | | | | | Watts | Watts | Watts | Watts | Watts | Watts | Watts | Watts | Watts |
| DNQ024 (2.0) | Cool | High | Y1 | COOL-A | 800 | 177 | 204 | 232 | 261 | 290 | 320 | 350 | 382 | 414 |
| | | | Y1 | COOL-B | 600 | 100 | 122 | 145 | 169 | 194 | 221 | 249 | 279 | 310 |
| | | | Y1 | COOL-C | 700 | 134 | 159 | 184 | 211 | 238 | 265 | 293 | 323 | 352 |
| | | | Y1 | COOL-D | 900 | 229 | 258 | 288 | 319 | 351 | 385 | 420 | 457 | 494 |
| | Heat | N036 | W1 | HEAT-A | 670 | 123 | 147 | 172 | 197 | 224 | 251 | - | - | - |
| | | | W1 | HEAT-B | 730 | 146 | 172 | 198 | 225 | 252 | 280 | - | - | - |
| | | | W1 | HEAT-C | 790 | 173 | 199 | 227 | 255 | 284 | 314 | - | - | - |
| | | | W1 | HEAT-D | 850 | 202 | 230 | 259 | 289 | 319 | 351 | - | - | - |
| | | N056 | W1 | HEAT-A | 940 | 253 | 281 | 312 | 344 | 378 | - | - | - | - |
| | | | W1 | HEAT-B | 975 | 274 | 303 | 334 | 368 | 403 | - | - | - | - |
| | | | W1 | HEAT-C | 1000 | 290 | 319 | 351 | 385 | 422 | - | - | - | - |
| | | | W1 | HEAT-D | 1050 | 324 | 353 | 386 | 422 | 461 | - | - | - | - |
| | | D056 | W1 | HEAT-A | 670 | 123 | 147 | 172 | 197 | 224 | - | - | - | - |
| | | | W1 | HEAT-B | 690 | 130 | 155 | 180 | 206 | 233 | - | - | - | - |
| | | | W1 | HEAT-C | 710 | 138 | 163 | 189 | 215 | 242 | - | - | - | - |
| | | | W1 | HEAT-D | 750 | 155 | 181 | 207 | 235 | 262 | - | - | - | - |
| | | | W1+W2 | HEAT-A | 940 | 253 | 281 | 312 | 344 | 378 | - | - | - | - |
| | | | W1+W2 | HEAT-B | 970 | 271 | 300 | 331 | 364 | 400 | - | - | - | - |
| | | | W1+W2 | HEAT-C | 1000 | 290 | 319 | 351 | 385 | 422 | - | - | - | - |
| | | | W1+W2 | HEAT-D | 1050 | 324 | 353 | 386 | 422 | 461 | - | - | - | - |
| DNQ030 (2.5) | Cool | High | Y1 | COOL-A | 900 | 222 | 254 | 291 | 323 | 340 | 381 | 431 | 462 | 516 |
| | | | Y1 | COOL-B | 1000 | 271 | 306 | 360 | 397 | 433 | 469 | 508 | 554 | 571 |
| | | | Y1 | COOL-C | 1125 | 367 | 411 | 445 | 500 | 533 | 588 | 625 | 647 | 665 |
| | | | Y1 | COOL-D | 1250 | 472 | 522 | 587 | 628 | 660 | 686 | 701 | 720 | 736 |
| | Heat | N036 | W1 | HEAT-A | 670 | 121 | 152 | 180 | 205 | 228 | 257 | - | - | - |
| | | | W1 | HEAT-B | 730 | 143 | 180 | 204 | 225 | 260 | 286 | - | - | - |
| | | | W1 | HEAT-C | 790 | 172 | 205 | 237 | 267 | 296 | 329 | - | - | - |
| | | | W1 | HEAT-D | 850 | 195 | 235 | 263 | 310 | 324 | 366 | - | - | - |
| | | N056 | W1 | HEAT-A | 1050 | 297 | 341 | 385 | 427 | 469 | - | - | - | - |
| | | | W1 | HEAT-B | 1135 | 379 | 417 | 455 | 496 | 536 | - | - | - | - |
| | | | W1 | HEAT-C | 1220 | 448 | 493 | 537 | 586 | 635 | - | - | - | - |
| | | | W1 | HEAT-D | 1300 | 514 | 562 | 610 | 655 | 700 | - | - | - | - |
| | | D056 | W1 | HEAT-A | 680 | 130 | 161 | 189 | 214 | 237 | - | - | - | - |
| | | | W1 | HEAT-B | 735 | 150 | 185 | 212 | 229 | 269 | - | - | - | - |
| | | | W1 | HEAT-C | 790 | 172 | 205 | 237 | 267 | 296 | - | - | - | - |
| | | | W1 | HEAT-D | 840 | 204 | 244 | 272 | 319 | 333 | - | - | - | - |
| | | | W1+W2 | HEAT-A | 1050 | 297 | 341 | 385 | 427 | 469 | - | - | - | - |
| | | | W1+W2 | HEAT-B | 1135 | 379 | 417 | 455 | 496 | 536 | - | - | - | - |
| | | | W1+W2 | HEAT-C | 1220 | 448 | 493 | 537 | 586 | 635 | - | - | - | - |
| | | | W1+W2 | HEAT-D | 1300 | 514 | 562 | 610 | 655 | 700 | - | - | - | - |

DNQ Side Duct Application (Continued)

| Model (Tons) | Mode | | Thermostat Input | Speed Tap | CFM | External Static Pressure (Inch Water Gauge) | | | | | | | | | |
|-----------------|------|------|---------------------|--------------|--------|---|-------|-------|-------|-------|-------|-------|-------|-------|------|
| | | | | | | 0.2 | 0.3 | 0.4 | 0.5 | 0.6 | 0.7 | 0.8 | 0.9 | 1.0 | |
| | | | | | | Watts | Watts | Watts | Watts | Watts | Watts | Watts | Watts | Watts | |
| DNQ036 (3.0) | Cool | High | Y1 | COOL-A | 1100 | 363 | 410 | 459 | 509 | 559 | 611 | 664 | 719 | 773 | |
| | | | Y1 | COOL-B | 1050 | 328 | 375 | 424 | 474 | 524 | 576 | 629 | 684 | 738 | |
| | | | Y1 | COOL-C | 1200 | 439 | 489 | 541 | 595 | 652 | 710 | 771 | 835 | 900 | |
| | | | Y1 | COOL-D | 1350 | 576 | 626 | 680 | 737 | 798 | 863 | 932 | 1005 | - | |
| | Heat | N036 | W1 | HEAT-A | 670 | 162 | 194 | 227 | 258 | 289 | 320 | - | - | - | |
| | | | W1 | HEAT-B | 730 | 177 | 213 | 248 | 283 | 318 | 352 | - | - | - | |
| | | | W1 | HEAT-C | 790 | 196 | 235 | 274 | 312 | 350 | 388 | - | - | - | |
| | | | W1 | HEAT-D | 850 | 220 | 261 | 303 | 344 | 385 | 426 | - | - | - | |
| | | N056 | W1 | HEAT-A | 1050 | 328 | 375 | 424 | 474 | 524 | - | - | - | - | |
| | | | W1 | HEAT-B | 1135 | 388 | 437 | 488 | 540 | 594 | - | - | - | - | |
| | | | W1 | HEAT-C | 1220 | 456 | 506 | 558 | 613 | 670 | - | - | - | - | |
| | | | W1 | HEAT-D | 1300 | 528 | 578 | 631 | 687 | 747 | - | - | - | - | |
| | | D056 | W1 | HEAT-A | 680 | 164 | 197 | 230 | 262 | 294 | - | - | - | - | |
| | | | W1 | HEAT-B | 735 | 178 | 215 | 250 | 286 | 321 | - | - | - | - | |
| | | | W1 | HEAT-C | 790 | 196 | 235 | 274 | 312 | 350 | - | - | - | - | |
| | | | W1 | HEAT-D | 840 | 216 | 257 | 297 | 338 | 379 | - | - | - | - | |
| | | | W1+W2 | HEAT-A | 1050 | 328 | 375 | 424 | 474 | 524 | - | - | - | - | |
| | | | W1+W2 | HEAT-B | 1140 | 392 | 441 | 491 | 544 | 598 | - | - | - | - | |
| | | | W1+W2 | HEAT-C | 1220 | 456 | 506 | 558 | 613 | 670 | - | - | - | - | |
| | | | W1+W2 | HEAT-D | 1300 | 528 | 578 | 631 | 687 | 747 | - | - | - | - | |
| | | N072 | W1 | HEAT-A | 1200 | 439 | 489 | 541 | 595 | - | - | - | - | - | |
| | | | W1 | HEAT-B | 1300 | 528 | 578 | 631 | 687 | - | - | - | - | - | |
| | | | W1 | HEAT-C | 1400 | 628 | 677 | 731 | 789 | - | - | - | - | - | |
| | | | W1 | HEAT-D | 1475 | 710 | 759 | 812 | 871 | - | - | - | - | - | |
| | | D072 | W1 | HEAT-A | 790 | 196 | 235 | 274 | 312 | - | - | - | - | - | |
| | | | W1 | HEAT-B | 855 | 222 | 264 | 305 | 347 | - | - | - | - | - | |
| | | | W1 | HEAT-C | 920 | 252 | 296 | 341 | 385 | - | - | - | - | - | |
| | | | W1 | HEAT-D | 975 | 282 | 328 | 374 | 421 | - | - | - | - | - | |
| | | | W1+W2 | HEAT-A | 1200 | 439 | 489 | 541 | 595 | - | - | - | - | - | |
| | | | W1+W2 | HEAT-B | 1300 | 528 | 578 | 631 | 687 | - | - | - | - | - | |
| | | | W1+W2 | HEAT-C | 1400 | 628 | 677 | 731 | 789 | - | - | - | - | - | |
| | | | W1+W2 | HEAT-D | 1480 | 716 | 764 | 818 | 877 | - | - | - | - | - | |
| DNQ042 (3.5) | | Cool | High | Y1 | COOL-A | 1400 | 466 | 513 | 561 | 611 | 663 | 715 | 770 | 826 | 882 |
| | | | | Y1 | COOL-B | 1350 | 430 | 476 | 523 | 571 | 621 | 672 | 718 | 766 | 815 |
| | | | | Y1 | COOL-C | 1500 | 544 | 596 | 648 | 702 | 758 | 815 | 867 | 921 | 975 |
| | | | | Y1 | COOL-D | 1600 | 630 | 687 | 745 | 804 | 864 | 926 | 988 | 1052 | 1116 |
| | Heat | N065 | W1 | HEAT-A | 1200 | 330 | 373 | 416 | 461 | 507 | 554 | - | - | - | |
| | | | W1 | HEAT-B | 1300 | 394 | 439 | 484 | 531 | 579 | 629 | - | - | - | |
| | | | W1 | HEAT-C | 1400 | 466 | 513 | 561 | 611 | 663 | 715 | - | - | - | |
| | | | W1 | HEAT-D | 1500 | 544 | 596 | 648 | 702 | 758 | 815 | - | - | - | |
| | | N090 | W1 | HEAT-A | 1325 | 412 | 456 | 503 | 550 | 599 | 649 | - | - | - | |
| | | | W1 | HEAT-B | 1400 | 466 | 513 | 561 | 611 | 663 | 715 | - | - | - | |
| | | | W1 | HEAT-C | 1500 | 544 | 596 | 648 | 702 | 758 | 815 | - | - | - | |
| | | | W1 | HEAT-D | 1600 | 630 | 687 | 745 | 804 | 864 | 926 | - | - | - | |
| | | D090 | W1 | HEAT-A | 870 | 168 | 215 | 261 | 306 | 350 | 393 | - | - | - | |
| | | | W1 | HEAT-B | 920 | 188 | 233 | 278 | 322 | 366 | 409 | - | - | - | |
| | | | W1 | HEAT-C | 985 | 216 | 260 | 303 | 347 | 391 | 434 | - | - | - | |
| | | | W1 | HEAT-D | 1050 | 247 | 290 | 333 | 376 | 420 | 464 | - | - | - | |
| | | | W1+W2 | HEAT-A | 1330 | 415 | 460 | 506 | 554 | 603 | 653 | - | - | - | |
| | | | W1+W2 | HEAT-B | 1400 | 466 | 513 | 561 | 611 | 663 | 715 | - | - | - | |
| | | | W1+W2 | HEAT-C | 1500 | 544 | 596 | 648 | 702 | 758 | 815 | - | - | - | |
| | | | W1+W2 | HEAT-D | 1600 | 630 | 687 | 745 | 804 | 864 | 926 | - | - | - | |

DNQ Side Duct Application (Continued)

| Model (Tons) | Mode | | Thermostat Input | Speed Tap | CFM | External Static Pressure (Inch Water Gauge) | | | | | | | | |
|-----------------|------|------|---------------------|--------------|------|---|-------|-------|-------|-------|-------|-------|-------|-------|
| | | | | | | 0.2 | 0.3 | 0.4 | 0.5 | 0.6 | 0.7 | 0.8 | 0.9 | 1.0 |
| | | | | | | Watts | Watts | Watts | Watts | Watts | Watts | Watts | Watts | Watts |
| DNQ048 (4.0) | Cool | High | Y1 | COOL-A | 1500 | 544 | 596 | 648 | 702 | 758 | 815 | 867 | 921 | 975 |
| | | | Y1 | COOL-B | 1400 | 466 | 513 | 561 | 611 | 663 | 715 | 770 | 826 | 882 |
| | | | Y1 | COOL-C | 1600 | 630 | 687 | 745 | 804 | 864 | 926 | 988 | 1052 | 1116 |
| | | | Y1 | COOL-D | 1700 | 723 | 787 | 851 | 916 | 982 | 1049 | 1116 | 1185 | 1247 |
| | Heat | N065 | W1 | HEAT-A | 1200 | 330 | 373 | 416 | 461 | 507 | 554 | - | - | - |
| | | | W1 | HEAT-B | 1300 | 394 | 439 | 484 | 531 | 579 | 629 | - | - | - |
| | | | W1 | HEAT-C | 1400 | 466 | 513 | 561 | 611 | 663 | 715 | - | - | - |
| | | | W1 | HEAT-D | 1500 | 544 | 596 | 648 | 702 | 758 | 815 | - | - | - |
| | | N090 | W1 | HEAT-A | 1325 | 412 | 456 | 503 | 550 | 599 | 649 | - | - | - |
| | | | W1 | HEAT-B | 1400 | 466 | 513 | 561 | 611 | 663 | 715 | - | - | - |
| | | | W1 | HEAT-C | 1500 | 544 | 596 | 648 | 702 | 758 | 815 | - | - | - |
| | | | W1 | HEAT-D | 1600 | 630 | 687 | 745 | 804 | 864 | 926 | - | - | - |
| | | D090 | W1 | HEAT-A | 870 | 168 | 215 | 261 | 306 | 350 | 393 | - | - | - |
| | | | W1 | HEAT-B | 920 | 188 | 233 | 278 | 322 | 366 | 409 | - | - | - |
| | | | W1 | HEAT-C | 985 | 216 | 260 | 303 | 347 | 391 | 434 | - | - | - |
| | | | W1 | HEAT-D | 1050 | 247 | 290 | 333 | 376 | 420 | 464 | - | - | - |
| | | | W1+W2 | HEAT-A | 1330 | 415 | 460 | 506 | 554 | 603 | 653 | - | - | - |
| | | | W1+W2 | HEAT-B | 1400 | 466 | 513 | 561 | 611 | 663 | 715 | - | - | - |
| | | | W1+W2 | HEAT-C | 1500 | 544 | 596 | 648 | 702 | 758 | 815 | - | - | - |
| | | | W1+W2 | HEAT-D | 1600 | 630 | 687 | 745 | 804 | 864 | 926 | - | - | - |
| | | N110 | W1 | HEAT-A | 1450 | 504 | 553 | 604 | 656 | - | - | - | - | - |
| | | | W1 | HEAT-B | 1500 | 544 | 596 | 648 | 702 | - | - | - | - | - |
| | | | W1 | HEAT-C | 1600 | 630 | 687 | 745 | 804 | - | - | - | - | - |
| | | | W1 | HEAT-D | 1700 | 723 | 787 | 851 | 916 | - | - | - | - | - |
| | | D110 | W1 | HEAT-A | 940 | 196 | 241 | 285 | 329 | - | - | - | - | - |
| | | | W1 | HEAT-B | 970 | 209 | 253 | 297 | 341 | - | - | - | - | - |
| | | | W1 | HEAT-C | 1050 | 247 | 290 | 333 | 376 | - | - | - | - | - |
| | | | W1 | HEAT-D | 1100 | 273 | 315 | 358 | 402 | - | - | - | - | - |
| | | | W1+W2 | HEAT-A | 1450 | 504 | 553 | 604 | 656 | - | - | - | - | - |
| | | | W1+W2 | HEAT-B | 1500 | 544 | 596 | 648 | 702 | - | - | - | - | - |
| | | | W1+W2 | HEAT-C | 1600 | 630 | 687 | 745 | 804 | - | - | - | - | - |
| | | | W1+W2 | HEAT-D | 1700 | 723 | 787 | 851 | 916 | - | - | - | - | - |
| DNQ060 (5.0) | Cool | High | Y1 | COOL-A | 1550 | 438 | 480 | 522 | 609 | 696 | 736 | 803 | 866 | 930 |
| | | | Y1 | COOL-B | 1650 | 510 | 554 | 598 | 690 | 782 | 826 | 896 | 963 | 1031 |
| | | | Y1 | COOL-C | 1750 | 589 | 635 | 682 | 778 | 873 | 924 | 995 | 1066 | 1137 |
| | | | Y1 | COOL-D | 2000 | 822 | 875 | 927 | 1027 | 1128 | 1198 | - | - | - |
| | Heat | N065 | W1 | HEAT-A | 1200 | 251 | 285 | 319 | 382 | 445 | 475 | - | - | - |
| | | | W1 | HEAT-B | 1300 | 295 | 331 | 367 | 438 | 509 | 541 | - | - | - |
| | | | W1 | HEAT-C | 1400 | 346 | 385 | 423 | 501 | 579 | 613 | - | - | - |
| | | | W1 | HEAT-D | 1500 | 405 | 446 | 487 | 572 | 656 | 693 | - | - | - |
| | | N090 | W1 | HEAT-A | 1325 | 307 | 344 | 381 | 453 | 526 | 558 | - | - | - |
| | | | W1 | HEAT-B | 1400 | 346 | 385 | 423 | 501 | 579 | 613 | - | - | - |
| | | | W1 | HEAT-C | 1500 | 405 | 446 | 487 | 572 | 656 | 693 | - | - | - |
| | | | W1 | HEAT-D | 1600 | 473 | 516 | 559 | 649 | 738 | 780 | - | - | - |
| | | D090 | W1 | HEAT-A | 870 | 165 | 191 | 218 | 246 | 275 | 307 | - | - | - |
| | | | W1 | HEAT-B | 920 | 172 | 200 | 228 | 262 | 296 | 328 | - | - | - |
| | | | W1 | HEAT-C | 985 | 185 | 214 | 243 | 285 | 326 | 357 | - | - | - |
| | | | W1 | HEAT-D | 1050 | 201 | 232 | 263 | 311 | 359 | 389 | - | - | - |
| | | | W1+W2 | HEAT-A | 1330 | 309 | 346 | 383 | 456 | 530 | 562 | - | - | - |
| | | | W1+W2 | HEAT-B | 1400 | 346 | 385 | 423 | 501 | 579 | 613 | - | - | - |
| | | | W1+W2 | HEAT-C | 1500 | 405 | 446 | 487 | 572 | 656 | 693 | - | - | - |
| | | | W1+W2 | HEAT-D | 1600 | 473 | 516 | 559 | 649 | 738 | 780 | - | - | - |
| | | N110 | W1 | HEAT-A | 1450 | 375 | 414 | 454 | 536 | 617 | 652 | - | - | - |
| | | | W1 | HEAT-B | 1500 | 405 | 446 | 487 | 572 | 656 | 693 | - | - | - |
| | | | W1 | HEAT-C | 1600 | 473 | 516 | 559 | 649 | 738 | 780 | - | - | - |
| | | | W1 | HEAT-D | 1700 | 548 | 594 | 639 | 733 | 827 | 874 | - | - | - |
| | | D110 | W1 | HEAT-A | 940 | 176 | 204 | 232 | 269 | 305 | 336 | - | - | - |
| | | | W1 | HEAT-B | 985 | 185 | 214 | 243 | 285 | 326 | 357 | - | - | - |
| | | | W1 | HEAT-C | 1035 | 197 | 227 | 258 | 305 | 351 | 381 | - | - | - |
| | | | W1 | HEAT-D | 1100 | 216 | 248 | 279 | 333 | 386 | 416 | - | - | - |
| | | | W1+W2 | HEAT-A | 1450 | 375 | 414 | 454 | 536 | 617 | 652 | - | - | - |
| | | | W1+W2 | HEAT-B | 1500 | 405 | 446 | 487 | 572 | 656 | 693 | - | - | - |
| | | | W1+W2 | HEAT-C | 1600 | 473 | 516 | 559 | 649 | 738 | 780 | - | - | - |
| | | | W1+W2 | HEAT-D | 1700 | 548 | 594 | 639 | 733 | 827 | 874 | - | - | - |

DNQ Bottom Duct Application

| Model (Tons) | Mode | | Thermostat Input | Speed Tap | CFM | External Static Pressure (Inch Water Gauge) | | | | | | | | |
|--------------|------|------|------------------|-----------|------|---|-------|-------|-------|-------|-------|-------|-------|-------|
| | | | | | | 0.2 | 0.3 | 0.4 | 0.5 | 0.6 | 0.7 | 0.8 | 0.9 | 1.0 |
| | | | | | | Watts | Watts | Watts | Watts | Watts | Watts | Watts | Watts | Watts |
| DNQ024 (2.0) | Cool | High | Y1 | COOL-A | 800 | 177 | 204 | 232 | 261 | 290 | 320 | 350 | 382 | 414 |
| | | | Y1 | COOL-B | 600 | 100 | 122 | 145 | 169 | 194 | 221 | 249 | 279 | 310 |
| | | | Y1 | COOL-C | 700 | 134 | 159 | 184 | 211 | 238 | 265 | 293 | 323 | 352 |
| | | | Y1 | COOL-D | 900 | 229 | 258 | 288 | 319 | 351 | 385 | 420 | 457 | 494 |
| | Heat | N036 | W1 | HEAT-A | 670 | 123 | 147 | 172 | 197 | 224 | 251 | - | - | - |
| | | | W1 | HEAT-B | 730 | 146 | 172 | 198 | 225 | 252 | 280 | - | - | - |
| | | | W1 | HEAT-C | 790 | 173 | 199 | 227 | 255 | 284 | 314 | - | - | - |
| | | | W1 | HEAT-D | 850 | 202 | 230 | 259 | 289 | 319 | 351 | - | - | - |
| | | N056 | W1 | HEAT-A | 940 | 253 | 281 | 312 | 344 | 378 | - | - | - | - |
| | | | W1 | HEAT-B | 975 | 274 | 303 | 334 | 368 | 403 | - | - | - | - |
| | | | W1 | HEAT-C | 1000 | 290 | 319 | 351 | 385 | 422 | - | - | - | - |
| | | | W1 | HEAT-D | 1050 | 324 | 353 | 386 | 422 | 461 | - | - | - | - |
| | | D056 | W1 | HEAT-A | 670 | 123 | 147 | 172 | 197 | 224 | - | - | - | - |
| | | | W1 | HEAT-B | 690 | 130 | 155 | 180 | 206 | 233 | - | - | - | - |
| | | | W1 | HEAT-C | 710 | 138 | 163 | 189 | 215 | 242 | - | - | - | - |
| | | | W1 | HEAT-D | 750 | 155 | 181 | 207 | 235 | 262 | - | - | - | - |
| | | | W1+W2 | HEAT-A | 940 | 253 | 281 | 312 | 344 | 378 | - | - | - | - |
| | | | W1+W2 | HEAT-B | 970 | 271 | 300 | 331 | 364 | 400 | - | - | - | - |
| | | | W1+W2 | HEAT-C | 1000 | 290 | 319 | 351 | 385 | 422 | - | - | - | - |
| | | | W1+W2 | HEAT-D | 1050 | 324 | 353 | 386 | 422 | 461 | - | - | - | - |
| DNQ030 (2.5) | Cool | High | Y1 | COOL-A | 900 | 222 | 254 | 291 | 323 | 340 | 381 | 431 | 462 | 516 |
| | | | Y1 | COOL-B | 1000 | 271 | 306 | 360 | 397 | 433 | 469 | 508 | 554 | 571 |
| | | | Y1 | COOL-C | 1125 | 367 | 411 | 445 | 500 | 533 | 588 | 625 | 647 | 665 |
| | | | Y1 | COOL-D | 1250 | 472 | 522 | 587 | 628 | 660 | 686 | 701 | 720 | 736 |
| | Heat | N036 | W1 | HEAT-A | 670 | 121 | 152 | 180 | 205 | 228 | 257 | - | - | - |
| | | | W1 | HEAT-B | 730 | 143 | 180 | 204 | 225 | 260 | 286 | - | - | - |
| | | | W1 | HEAT-C | 790 | 172 | 205 | 237 | 267 | 296 | 329 | - | - | - |
| | | | W1 | HEAT-D | 850 | 195 | 235 | 263 | 310 | 324 | 366 | - | - | - |
| | | N056 | W1 | HEAT-A | 1050 | 297 | 341 | 385 | 427 | 469 | - | - | - | - |
| | | | W1 | HEAT-B | 1135 | 379 | 417 | 455 | 496 | 536 | - | - | - | - |
| | | | W1 | HEAT-C | 1220 | 448 | 493 | 537 | 586 | 635 | - | - | - | - |
| | | | W1 | HEAT-D | 1300 | 514 | 562 | 610 | 655 | 700 | - | - | - | - |
| | | D056 | W1 | HEAT-A | 680 | 130 | 161 | 189 | 214 | 237 | - | - | - | - |
| | | | W1 | HEAT-B | 735 | 150 | 185 | 212 | 229 | 269 | - | - | - | - |
| | | | W1 | HEAT-C | 790 | 172 | 205 | 237 | 267 | 296 | - | - | - | - |
| | | | W1 | HEAT-D | 840 | 204 | 244 | 272 | 319 | 333 | - | - | - | - |
| | | | W1+W2 | HEAT-A | 1050 | 297 | 341 | 385 | 427 | 469 | - | - | - | - |
| | | | W1+W2 | HEAT-B | 1135 | 379 | 417 | 455 | 496 | 536 | - | - | - | - |
| | | | W1+W2 | HEAT-C | 1220 | 448 | 493 | 537 | 586 | 635 | - | - | - | - |
| | | | W1+W2 | HEAT-D | 1300 | 514 | 562 | 610 | 655 | 700 | - | - | - | - |

DNQ Bottom Duct Application (Continued)

| Model (Tons) | Mode | | Thermostat Input | Speed Tap | CFM | External Static Pressure (Inch Water Gauge) | | | | | | | | |
|-----------------|------|------|---------------------|--------------|------|---|-------|-------|-------|-------|-------|-------|-------|-------|
| | | | | | | 0.2 | 0.3 | 0.4 | 0.5 | 0.6 | 0.7 | 0.8 | 0.9 | 1.0 |
| | | | | | | Watts | Watts | Watts | Watts | Watts | Watts | Watts | Watts | Watts |
| DNQ036 (3.0) | Cool | High | Y1 | COOL-A | 1100 | 363 | 410 | 459 | 509 | 559 | 611 | 664 | 719 | 773 |
| | | | Y1 | COOL-B | 1050 | 328 | 375 | 424 | 474 | 524 | 576 | 629 | 684 | 738 |
| | | | Y1 | COOL-C | 1200 | 439 | 489 | 541 | 595 | 652 | 710 | 771 | 835 | 900 |
| | | | Y1 | COOL-D | 1350 | 576 | 626 | 680 | 737 | 798 | 863 | 932 | 1005 | - |
| | Heat | N036 | W1 | HEAT-A | 670 | 162 | 194 | 227 | 258 | 289 | 320 | - | - | - |
| | | | W1 | HEAT-B | 730 | 177 | 213 | 248 | 283 | 318 | 352 | - | - | - |
| | | | W1 | HEAT-C | 790 | 196 | 235 | 274 | 312 | 350 | 388 | - | - | - |
| | | | W1 | HEAT-D | 850 | 220 | 261 | 303 | 344 | 385 | 426 | - | - | - |
| | | N056 | W1 | HEAT-A | 1050 | 328 | 375 | 424 | 474 | 524 | - | - | - | - |
| | | | W1 | HEAT-B | 1135 | 388 | 437 | 488 | 540 | 594 | - | - | - | - |
| | | | W1 | HEAT-C | 1220 | 456 | 506 | 558 | 613 | 670 | - | - | - | - |
| | | | W1 | HEAT-D | 1300 | 528 | 578 | 631 | 687 | 747 | - | - | - | - |
| | | D056 | W1 | HEAT-A | 680 | 164 | 197 | 230 | 262 | 294 | - | - | - | - |
| | | | W1 | HEAT-B | 735 | 178 | 215 | 250 | 286 | 321 | - | - | - | - |
| | | | W1 | HEAT-C | 790 | 196 | 235 | 274 | 312 | 350 | - | - | - | - |
| | | | W1 | HEAT-D | 840 | 216 | 257 | 297 | 338 | 379 | - | - | - | - |
| | | | W1+W2 | HEAT-A | 1050 | 328 | 375 | 424 | 474 | 524 | - | - | - | - |
| | | | W1+W2 | HEAT-B | 1140 | 392 | 441 | 491 | 544 | 598 | - | - | - | - |
| | | | W1+W2 | HEAT-C | 1220 | 456 | 506 | 558 | 613 | 670 | - | - | - | - |
| | | | W1+W2 | HEAT-D | 1300 | 528 | 578 | 631 | 687 | 747 | - | - | - | - |
| | | N072 | W1 | HEAT-A | 1200 | 439 | 489 | 541 | 595 | - | - | - | - | - |
| | | | W1 | HEAT-B | 1300 | 528 | 578 | 631 | 687 | - | - | - | - | - |
| | | | W1 | HEAT-C | 1400 | 628 | 677 | 731 | 789 | - | - | - | - | - |
| | | | W1 | HEAT-D | 1475 | 710 | 759 | 812 | 871 | - | - | - | - | - |
| | | D072 | W1 | HEAT-A | 790 | 196 | 235 | 274 | 312 | - | - | - | - | - |
| | | | W1 | HEAT-B | 855 | 222 | 264 | 305 | 347 | - | - | - | - | - |
| | | | W1 | HEAT-C | 920 | 252 | 296 | 341 | 385 | - | - | - | - | - |
| | | | W1 | HEAT-D | 975 | 282 | 328 | 374 | 421 | - | - | - | - | - |
| | | | W1+W2 | HEAT-A | 1200 | 439 | 489 | 541 | 595 | - | - | - | - | - |
| | | | W1+W2 | HEAT-B | 1300 | 528 | 578 | 631 | 687 | - | - | - | - | - |
| | | | W1+W2 | HEAT-C | 1400 | 628 | 677 | 731 | 789 | - | - | - | - | - |
| | | | W1+W2 | HEAT-D | 1480 | 716 | 764 | 818 | 877 | - | - | - | - | - |
| DNQ042 (3.5) | Cool | High | Y1 | COOL-A | 1400 | 466 | 513 | 561 | 611 | 663 | 715 | 770 | 826 | 882 |
| | | | Y1 | COOL-B | 1350 | 430 | 476 | 523 | 571 | 621 | 672 | 718 | 766 | 815 |
| | | | Y1 | COOL-C | 1500 | 544 | 596 | 648 | 702 | 758 | 815 | 867 | 921 | 975 |
| | | | Y1 | COOL-D | 1600 | 630 | 687 | 745 | 804 | 864 | 926 | 988 | 1052 | 1116 |
| | Heat | N065 | W1 | HEAT-A | 1200 | 330 | 373 | 416 | 461 | 507 | 554 | - | - | - |
| | | | W1 | HEAT-B | 1300 | 394 | 439 | 484 | 531 | 579 | 629 | - | - | - |
| | | | W1 | HEAT-C | 1400 | 466 | 513 | 561 | 611 | 663 | 715 | - | - | - |
| | | | W1 | HEAT-D | 1500 | 544 | 596 | 648 | 702 | 758 | 815 | - | - | - |
| | | N090 | W1 | HEAT-A | 1325 | 412 | 456 | 503 | 550 | 599 | 649 | - | - | - |
| | | | W1 | HEAT-B | 1400 | 466 | 513 | 561 | 611 | 663 | 715 | - | - | - |
| | | | W1 | HEAT-C | 1500 | 544 | 596 | 648 | 702 | 758 | 815 | - | - | - |
| | | | W1 | HEAT-D | 1600 | 630 | 687 | 745 | 804 | 864 | 926 | - | - | - |
| | | D090 | W1 | HEAT-A | 870 | 168 | 215 | 261 | 306 | 350 | 393 | - | - | - |
| | | | W1 | HEAT-B | 920 | 188 | 233 | 278 | 322 | 366 | 409 | - | - | - |
| | | | W1 | HEAT-C | 985 | 216 | 260 | 303 | 347 | 391 | 434 | - | - | - |
| | | | W1 | HEAT-D | 1050 | 247 | 290 | 333 | 376 | 420 | 464 | - | - | - |
| | | | W1+W2 | HEAT-A | 1330 | 415 | 460 | 506 | 554 | 603 | 653 | - | - | - |
| | | | W1+W2 | HEAT-B | 1400 | 466 | 513 | 561 | 611 | 663 | 715 | - | - | - |
| | | | W1+W2 | HEAT-C | 1500 | 544 | 596 | 648 | 702 | 758 | 815 | - | - | - |
| | | | W1+W2 | HEAT-D | 1600 | 630 | 687 | 745 | 804 | 864 | 926 | - | - | - |

DNQ Bottom Duct Application (Continued)

| Model (Tons) | Mode | | Thermostat Input | Speed Tap | CFM | External Static Pressure (Inch Water Gauge) | | | | | | | | |
|-----------------|------|------|---------------------|--------------|------|---|-------|-------|-------|-------|-------|-------|-------|-------|
| | | | | | | 0.2 | 0.3 | 0.4 | 0.5 | 0.6 | 0.7 | 0.8 | 0.9 | 1.0 |
| | | | | | | Watts | Watts | Watts | Watts | Watts | Watts | Watts | Watts | Watts |
| DNQ048 (4.0) | Cool | High | Y1 | COOL-A | 1500 | 544 | 596 | 648 | 702 | 758 | 815 | 867 | 921 | 975 |
| | | | Y1 | COOL-B | 1400 | 466 | 513 | 561 | 611 | 663 | 715 | 770 | 826 | 882 |
| | | | Y1 | COOL-C | 1600 | 630 | 687 | 745 | 804 | 864 | 926 | 988 | 1052 | 1116 |
| | | | Y1 | COOL-D | 1700 | 723 | 787 | 851 | 916 | 982 | 1049 | 1116 | 1185 | 1247 |
| | Heat | N065 | W1 | HEAT-A | 1200 | 330 | 373 | 416 | 461 | 507 | 554 | - | - | - |
| | | | W1 | HEAT-B | 1300 | 394 | 439 | 484 | 531 | 579 | 629 | - | - | - |
| | | | W1 | HEAT-C | 1400 | 466 | 513 | 561 | 611 | 663 | 715 | - | - | - |
| | | | W1 | HEAT-D | 1500 | 544 | 596 | 648 | 702 | 758 | 815 | - | - | - |
| | | N090 | W1 | HEAT-A | 1325 | 412 | 456 | 503 | 550 | 599 | 649 | - | - | - |
| | | | W1 | HEAT-B | 1400 | 466 | 513 | 561 | 611 | 663 | 715 | - | - | - |
| | | | W1 | HEAT-C | 1500 | 544 | 596 | 648 | 702 | 758 | 815 | - | - | - |
| | | | W1 | HEAT-D | 1600 | 630 | 687 | 745 | 804 | 864 | 926 | - | - | - |
| | | D090 | W1 | HEAT-A | 870 | 168 | 215 | 261 | 306 | 350 | 393 | - | - | - |
| | | | W1 | HEAT-B | 920 | 188 | 233 | 278 | 322 | 366 | 409 | - | - | - |
| | | | W1 | HEAT-C | 985 | 216 | 260 | 303 | 347 | 391 | 434 | - | - | - |
| | | | W1 | HEAT-D | 1050 | 247 | 290 | 333 | 376 | 420 | 464 | - | - | - |
| | | | W1+W2 | HEAT-A | 1330 | 415 | 460 | 506 | 554 | 603 | 653 | - | - | - |
| | | | W1+W2 | HEAT-B | 1400 | 466 | 513 | 561 | 611 | 663 | 715 | - | - | - |
| | | | W1+W2 | HEAT-C | 1500 | 544 | 596 | 648 | 702 | 758 | 815 | - | - | - |
| | | | W1+W2 | HEAT-D | 1600 | 630 | 687 | 745 | 804 | 864 | 926 | - | - | - |
| | | N110 | W1 | HEAT-A | 1450 | 504 | 553 | 604 | 656 | - | - | - | - | - |
| | | | W1 | HEAT-B | 1500 | 544 | 596 | 648 | 702 | - | - | - | - | - |
| | | | W1 | HEAT-C | 1600 | 630 | 687 | 745 | 804 | - | - | - | - | - |
| | | | W1 | HEAT-D | 1700 | 723 | 787 | 851 | 916 | - | - | - | - | - |
| | | D110 | W1 | HEAT-A | 940 | 196 | 241 | 285 | 329 | - | - | - | - | - |
| | | | W1 | HEAT-B | 970 | 209 | 253 | 297 | 341 | - | - | - | - | - |
| | | | W1 | HEAT-C | 1050 | 247 | 290 | 333 | 376 | - | - | - | - | - |
| | | | W1 | HEAT-D | 1100 | 273 | 315 | 358 | 402 | - | - | - | - | - |
| | | | W1+W2 | HEAT-A | 1450 | 504 | 553 | 604 | 656 | - | - | - | - | - |
| | | | W1+W2 | HEAT-B | 1500 | 544 | 596 | 648 | 702 | - | - | - | - | - |
| | | | W1+W2 | HEAT-C | 1600 | 630 | 687 | 745 | 804 | - | - | - | - | - |
| | | | W1+W2 | HEAT-D | 1700 | 723 | 787 | 851 | 916 | - | - | - | - | - |
| DNQ060 (5.0) | Cool | High | Y1 | COOL-A | 1550 | 438 | 480 | 522 | 609 | 696 | 736 | 803 | 866 | 930 |
| | | | Y1 | COOL-B | 1650 | 510 | 554 | 598 | 690 | 782 | 826 | 896 | 963 | 1031 |
| | | | Y1 | COOL-C | 1750 | 589 | 635 | 682 | 778 | 873 | 924 | 995 | 1066 | 1137 |
| | | | Y1 | COOL-D | 2000 | 822 | 875 | 927 | 1027 | 1128 | 1198 | - | - | - |
| | Heat | N065 | W1 | HEAT-A | 1200 | 251 | 285 | 319 | 382 | 445 | 475 | - | - | - |
| | | | W1 | HEAT-B | 1300 | 295 | 331 | 367 | 438 | 509 | 541 | - | - | - |
| | | | W1 | HEAT-C | 1400 | 346 | 385 | 423 | 501 | 579 | 613 | - | - | - |
| | | | W1 | HEAT-D | 1500 | 405 | 446 | 487 | 572 | 656 | 693 | - | - | - |
| | | N090 | W1 | HEAT-A | 1325 | 307 | 344 | 381 | 453 | 526 | 558 | - | - | - |
| | | | W1 | HEAT-B | 1400 | 346 | 385 | 423 | 501 | 579 | 613 | - | - | - |
| | | | W1 | HEAT-C | 1500 | 405 | 446 | 487 | 572 | 656 | 693 | - | - | - |
| | | | W1 | HEAT-D | 1600 | 473 | 516 | 559 | 649 | 738 | 780 | - | - | - |
| | | D090 | W1 | HEAT-A | 870 | 165 | 191 | 218 | 246 | 275 | 307 | - | - | - |
| | | | W1 | HEAT-B | 920 | 172 | 200 | 228 | 262 | 296 | 328 | - | - | - |
| | | | W1 | HEAT-C | 985 | 185 | 214 | 243 | 285 | 326 | 357 | - | - | - |
| | | | W1 | HEAT-D | 1050 | 201 | 232 | 263 | 311 | 359 | 389 | - | - | - |
| | | | W1+W2 | HEAT-A | 1330 | 309 | 346 | 383 | 456 | 530 | 562 | - | - | - |
| | | | W1+W2 | HEAT-B | 1400 | 346 | 385 | 423 | 501 | 579 | 613 | - | - | - |
| | | | W1+W2 | HEAT-C | 1500 | 405 | 446 | 487 | 572 | 656 | 693 | - | - | - |
| | | | W1+W2 | HEAT-D | 1600 | 473 | 516 | 559 | 649 | 738 | 780 | - | - | - |
| | | N110 | W1 | HEAT-A | 1450 | 375 | 414 | 454 | 536 | 617 | 652 | - | - | - |
| | | | W1 | HEAT-B | 1500 | 405 | 446 | 487 | 572 | 656 | 693 | - | - | - |
| | | | W1 | HEAT-C | 1600 | 473 | 516 | 559 | 649 | 738 | 780 | - | - | - |
| | | | W1 | HEAT-D | 1700 | 548 | 594 | 639 | 733 | 827 | 874 | - | - | - |
| | | D110 | W1 | HEAT-A | 940 | 176 | 204 | 232 | 269 | 305 | 336 | - | - | - |
| | | | W1 | HEAT-B | 985 | 185 | 214 | 243 | 285 | 326 | 357 | - | - | - |
| | | | W1 | HEAT-C | 1035 | 197 | 227 | 258 | 305 | 351 | 381 | - | - | - |
| | | | W1 | HEAT-D | 1100 | 216 | 248 | 279 | 333 | 386 | 416 | - | - | - |
| | | | W1+W2 | HEAT-A | 1450 | 375 | 414 | 454 | 536 | 617 | 652 | - | - | - |
| | | | W1+W2 | HEAT-B | 1500 | 405 | 446 | 487 | 572 | 656 | 693 | - | - | - |
| | | | W1+W2 | HEAT-C | 1600 | 473 | 516 | 559 | 649 | 738 | 780 | - | - | - |
| | | | W1+W2 | HEAT-D | 1700 | 548 | 594 | 639 | 733 | 827 | 874 | - | - | - |

DNX Side Duct Application

| Size (Tons) | Mode | | Thermostat Input | Speed Tap | CFM | External Static Pressure (Inch Water Gauge) | | | | | | | | |
|-----------------|------|------|---------------------|--------------|------|---|-------|-------|-------|-------|-------|-------|-------|-------|
| | | | | | | 0.2 | 0.3 | 0.4 | 0.5 | 0.6 | 0.7 | 0.8 | 0.9 | 1.0 |
| | | | | | | Watts | Watts | Watts | Watts | Watts | Watts | Watts | Watts | Watts |
| DNX024 (2.0) | Cool | Low | Y1 | COOL-A | 600 | 100 | 122 | 145 | 169 | 194 | 221 | 249 | 279 | 310 |
| | | | Y1 | COOL-B | 450 | 65 | 81 | 100 | 122 | 147 | 176 | 208 | 243 | 281 |
| | | | Y1 | COOL-C | 530 | 81 | 100 | 121 | 145 | 170 | 197 | 226 | 258 | 291 |
| | | | Y1 | COOL-D | 680 | 127 | 151 | 176 | 202 | 228 | 256 | 284 | 313 | 342 |
| | | High | Y1+Y2 | COOL-A | 800 | 177 | 204 | 232 | 261 | 290 | 320 | 350 | 382 | 414 |
| | | | Y1+Y2 | COOL-B | 600 | 100 | 122 | 145 | 169 | 194 | 221 | 249 | 279 | 310 |
| | | | Y1+Y2 | COOL-C | 700 | 134 | 159 | 184 | 211 | 238 | 265 | 293 | 323 | 352 |
| | | | Y1+Y2 | COOL-D | 900 | 229 | 258 | 288 | 319 | 351 | 385 | 420 | 457 | 494 |
| | Heat | N036 | W1 | HEAT-A | 670 | 123 | 147 | 172 | 197 | 224 | 251 | - | - | - |
| | | | W1 | HEAT-B | 730 | 146 | 172 | 198 | 225 | 252 | 280 | - | - | - |
| | | | W1 | HEAT-C | 790 | 173 | 199 | 227 | 255 | 284 | 314 | - | - | - |
| | | | W1 | HEAT-D | 850 | 202 | 230 | 259 | 289 | 319 | 351 | - | - | - |
| | | N056 | W1 | HEAT-A | 940 | 253 | 281 | 312 | 344 | 378 | - | - | - | - |
| | | | W1 | HEAT-B | 975 | 274 | 303 | 334 | 368 | 403 | - | - | - | - |
| | | | W1 | HEAT-C | 1000 | 290 | 319 | 351 | 385 | 422 | - | - | - | - |
| | | | W1 | HEAT-D | 1050 | 324 | 353 | 386 | 422 | 461 | - | - | - | - |
| | | D056 | W1 | HEAT-A | 670 | 123 | 147 | 172 | 197 | 224 | - | - | - | - |
| | | | W1 | HEAT-B | 690 | 130 | 155 | 180 | 206 | 233 | - | - | - | - |
| | | | W1 | HEAT-C | 710 | 138 | 163 | 189 | 215 | 242 | - | - | - | - |
| | | | W1 | HEAT-D | 750 | 155 | 181 | 207 | 235 | 262 | - | - | - | - |
| | | | W1+W2 | HEAT-A | 940 | 253 | 281 | 312 | 344 | 378 | - | - | - | - |
| | | | W1+W2 | HEAT-B | 970 | 271 | 300 | 331 | 364 | 400 | - | - | - | - |
| | | | W1+W2 | HEAT-C | 1000 | 290 | 319 | 351 | 385 | 422 | - | - | - | - |
| | | | W1+W2 | HEAT-D | 1050 | 324 | 353 | 386 | 422 | 461 | - | - | - | - |
| DNX036 (3.0) | Cool | Low | Y1 | COOL-A | 900 | 198 | 233 | 272 | 313 | 358 | 406 | 458 | 512 | 569 |
| | | | Y1 | COOL-B | 760 | 166 | 190 | 222 | 262 | 310 | 366 | 431 | 503 | 584 |
| | | | Y1 | COOL-C | 830 | 180 | 210 | 245 | 286 | 332 | 384 | 441 | 503 | 571 |
| | | | Y1 | COOL-D | 970 | 221 | 260 | 302 | 344 | 388 | 434 | 481 | 530 | 579 |
| | | High | Y1+Y2 | COOL-A | 1250 | 361 | 408 | 454 | 501 | 548 | 594 | 640 | 687 | 733 |
| | | | Y1+Y2 | COOL-B | 1050 | 253 | 296 | 340 | 384 | 428 | 472 | 516 | 561 | 605 |
| | | | Y1+Y2 | COOL-C | 1150 | 302 | 348 | 394 | 439 | 484 | 528 | 571 | 615 | 657 |
| | | | Y1+Y2 | COOL-D | 1350 | 429 | 475 | 522 | 570 | 620 | 671 | 723 | 777 | 831 |
| | Heat | N065 | W1 | HEAT-A | 1200 | 330 | 377 | 423 | 469 | 515 | 560 | - | - | - |
| | | | W1 | HEAT-B | 1300 | 394 | 440 | 487 | 535 | 583 | 631 | - | - | - |
| | | | W1 | HEAT-C | 1400 | 467 | 511 | 558 | 607 | 659 | 713 | - | - | - |
| | | | W1 | HEAT-D | 1500 | 550 | 590 | 635 | 686 | 743 | 804 | - | - | - |
| | | N090 | W1 | HEAT-A | 1150 | 302 | 348 | 394 | 439 | 484 | 528 | - | - | - |
| | | | W1 | HEAT-B | 1225 | 345 | 392 | 439 | 485 | 531 | 577 | - | - | - |
| | | | W1 | HEAT-C | 1275 | 377 | 424 | 471 | 518 | 565 | 612 | - | - | - |
| | | | W1 | HEAT-D | 1350 | 429 | 475 | 522 | 570 | 620 | 671 | - | - | - |
| | | D090 | W1 | HEAT-A | 740 | 163 | 185 | 216 | 255 | 304 | 362 | - | - | - |
| | | | W1 | HEAT-B | 785 | 170 | 196 | 230 | 270 | 317 | 372 | - | - | - |
| | | | W1 | HEAT-C | 825 | 178 | 208 | 243 | 284 | 330 | 382 | - | - | - |
| | | | W1 | HEAT-D | 870 | 189 | 223 | 260 | 301 | 347 | 396 | - | - | - |
| | | | W1+W2 | HEAT-A | 1150 | 302 | 348 | 394 | 439 | 484 | 528 | - | - | - |
| | | | W1+W2 | HEAT-B | 1220 | 342 | 389 | 436 | 482 | 528 | 573 | - | - | - |
| | | | W1+W2 | HEAT-C | 1280 | 380 | 427 | 474 | 521 | 568 | 616 | - | - | - |
| | | | W1+W2 | HEAT-D | 1350 | 429 | 475 | 522 | 570 | 620 | 671 | - | - | - |

DNX Side Duct Application (Continued)

| Size (Tons) | Mode | Thermostat Input | Speed Tap | CFM | External Static Pressure (Inch Water Gauge) | | | | | | | | | |
|-----------------|-------|---------------------|--------------|--------|---|-------|-------|-------|-------|-------|-------|-------|-------|------|
| | | | | | 0.2 | 0.3 | 0.4 | 0.5 | 0.6 | 0.7 | 0.8 | 0.9 | 1.0 | |
| | | | | | Watts | Watts | Watts | Watts | Watts | Watts | Watts | Watts | Watts | |
| DNX048 (4.0) | Cool | Low | Y1 | COOL-A | 1030 | 237 | 280 | 323 | 367 | 411 | 455 | 499 | 543 | 588 |
| | | | Y1 | COOL-B | 930 | 192 | 237 | 282 | 326 | 369 | 413 | 455 | 497 | 539 |
| | | | Y1 | COOL-C | 1070 | 257 | 300 | 343 | 386 | 430 | 475 | 520 | 565 | 611 |
| | | | Y1 | COOL-D | 1130 | 289 | 332 | 375 | 419 | 463 | 509 | 555 | 602 | 649 |
| | | High | Y1+Y2 | COOL-A | 1550 | 586 | 640 | 696 | 752 | 810 | 869 | 929 | 991 | 1053 |
| | | | Y1+Y2 | COOL-B | 1400 | 466 | 513 | 561 | 611 | 663 | 715 | 770 | 826 | 882 |
| | | | Y1+Y2 | COOL-C | 1600 | 630 | 687 | 745 | 804 | 864 | 926 | 988 | 1052 | 1116 |
| | | | Y1+Y2 | COOL-D | 1700 | 723 | 787 | 851 | 916 | 982 | 1049 | 1116 | 1185 | - |
| | Heat | N065 | W1 | HEAT-A | 1200 | 330 | 373 | 416 | 461 | 507 | 554 | - | - | - |
| | | | W1 | HEAT-B | 1300 | 394 | 439 | 484 | 531 | 579 | 629 | - | - | - |
| | | | W1 | HEAT-C | 1400 | 466 | 513 | 561 | 611 | 663 | 715 | - | - | - |
| | | | W1 | HEAT-D | 1500 | 544 | 596 | 648 | 702 | 758 | 815 | - | - | - |
| | | N090 | W1 | HEAT-A | 1325 | 412 | 456 | 503 | 550 | 599 | 649 | - | - | - |
| | | | W1 | HEAT-B | 1400 | 466 | 513 | 561 | 611 | 663 | 715 | - | - | - |
| | | | W1 | HEAT-C | 1500 | 544 | 596 | 648 | 702 | 758 | 815 | - | - | - |
| | | | W1 | HEAT-D | 1600 | 630 | 687 | 745 | 804 | 864 | 926 | - | - | - |
| | | D090 | W1 | HEAT-A | 870 | 168 | 215 | 261 | 306 | 350 | 393 | - | - | - |
| | | | W1 | HEAT-B | 920 | 188 | 233 | 278 | 322 | 366 | 409 | - | - | - |
| | | | W1 | HEAT-C | 985 | 216 | 260 | 303 | 347 | 391 | 434 | - | - | - |
| | | | W1 | HEAT-D | 1050 | 247 | 290 | 333 | 376 | 420 | 464 | - | - | - |
| | | | W1+W2 | HEAT-A | 1330 | 415 | 460 | 506 | 554 | 603 | 653 | - | - | - |
| | | | W1+W2 | HEAT-B | 1400 | 466 | 513 | 561 | 611 | 663 | 715 | - | - | - |
| | | | W1+W2 | HEAT-C | 1500 | 544 | 596 | 648 | 702 | 758 | 815 | - | - | - |
| | | | W1+W2 | HEAT-D | 1600 | 630 | 687 | 745 | 804 | 864 | 926 | - | - | - |
| | | N110 | W1 | HEAT-A | 1450 | 504 | 553 | 604 | 656 | - | - | - | - | - |
| | | | W1 | HEAT-B | 1500 | 544 | 596 | 648 | 702 | - | - | - | - | - |
| | | | W1 | HEAT-C | 1600 | 630 | 687 | 745 | 804 | - | - | - | - | - |
| | | | W1 | HEAT-D | 1700 | 723 | 787 | 851 | 916 | - | - | - | - | - |
| D110 | W1 | HEAT-A | 940 | 196 | 241 | 285 | 329 | - | - | - | - | - | | |
| | W1 | HEAT-B | 970 | 209 | 253 | 297 | 341 | - | - | - | - | - | | |
| | W1 | HEAT-C | 1050 | 247 | 290 | 333 | 376 | - | - | - | - | - | | |
| | W1 | HEAT-D | 1100 | 273 | 315 | 358 | 402 | - | - | - | - | - | | |
| | W1+W2 | HEAT-A | 1450 | 504 | 553 | 604 | 656 | - | - | - | - | - | | |
| | W1+W2 | HEAT-B | 1500 | 544 | 596 | 648 | 702 | - | - | - | - | - | | |
| | W1+W2 | HEAT-C | 1600 | 630 | 687 | 745 | 804 | - | - | - | - | - | | |
| | W1+W2 | HEAT-D | 1700 | 723 | 787 | 851 | 916 | - | - | - | - | - | | |

DNX Bottom Duct Application

| Model (Tons) | Mode | Thermostat Input | Speed Tap | CFM | External Static Pressure (Inch Water Gauge) | | | | | | | | | |
|-----------------|------|---------------------|--------------|--------|---|-------|-------|-------|-------|-------|-------|-------|-------|-------|
| | | | | | 0.2 | 0.3 | 0.4 | 0.5 | 0.6 | 0.7 | 0.8 | 0.9 | 1.0 | |
| | | | | | Watts | Watts | Watts | Watts | Watts | Watts | Watts | Watts | Watts | Watts |
| DNX024 (2.0) | Cool | Low | Y1 | COOL-A | 600 | 100 | 122 | 145 | 169 | 194 | 221 | 249 | 279 | 310 |
| | | | Y1 | COOL-B | 450 | 65 | 81 | 100 | 122 | 147 | 176 | 208 | 243 | 281 |
| | | | Y1 | COOL-C | 530 | 81 | 100 | 121 | 145 | 170 | 197 | 226 | 258 | 291 |
| | | | Y1 | COOL-D | 680 | 127 | 151 | 176 | 202 | 228 | 256 | 284 | 313 | 342 |
| | | High | Y1+Y2 | COOL-A | 800 | 177 | 204 | 232 | 261 | 290 | 320 | 350 | 382 | 414 |
| | | | Y1+Y2 | COOL-B | 600 | 100 | 122 | 145 | 169 | 194 | 221 | 249 | 279 | 310 |
| | | | Y1+Y2 | COOL-C | 700 | 134 | 159 | 184 | 211 | 238 | 265 | 293 | 323 | 352 |
| | | | Y1+Y2 | COOL-D | 900 | 229 | 258 | 288 | 319 | 351 | 385 | 420 | 457 | 494 |
| | Heat | N036 | W1 | HEAT-A | 670 | 123 | 147 | 172 | 197 | 224 | 251 | - | - | - |
| | | | W1 | HEAT-B | 730 | 146 | 172 | 198 | 225 | 252 | 280 | - | - | - |
| | | | W1 | HEAT-C | 790 | 173 | 199 | 227 | 255 | 284 | 314 | - | - | - |
| | | | W1 | HEAT-D | 850 | 202 | 230 | 259 | 289 | 319 | 351 | - | - | - |
| | | N056 | W1 | HEAT-A | 940 | 253 | 281 | 312 | 344 | 378 | - | - | - | - |
| | | | W1 | HEAT-B | 975 | 274 | 303 | 334 | 368 | 403 | - | - | - | - |
| | | | W1 | HEAT-C | 1000 | 290 | 319 | 351 | 385 | 422 | - | - | - | - |
| | | | W1 | HEAT-D | 1050 | 324 | 353 | 386 | 422 | 461 | - | - | - | - |
| | | D056 | W1 | HEAT-A | 670 | 123 | 147 | 172 | 197 | 224 | - | - | - | - |
| | | | W1 | HEAT-B | 690 | 130 | 155 | 180 | 206 | 233 | - | - | - | - |
| | | | W1 | HEAT-C | 710 | 138 | 163 | 189 | 215 | 242 | - | - | - | - |
| | | | W1 | HEAT-D | 750 | 155 | 181 | 207 | 235 | 262 | - | - | - | - |
| | | | W1+W2 | HEAT-A | 940 | 253 | 281 | 312 | 344 | 378 | - | - | - | - |
| | | | W1+W2 | HEAT-B | 970 | 271 | 300 | 331 | 364 | 400 | - | - | - | - |
| | | | W1+W2 | HEAT-C | 1000 | 290 | 319 | 351 | 385 | 422 | - | - | - | - |
| | | | W1+W2 | HEAT-D | 1050 | 324 | 353 | 386 | 422 | 461 | - | - | - | - |
| DNX036 (3.0) | Cool | Low | Y1 | COOL-A | 900 | 198 | 233 | 272 | 313 | 358 | 406 | 458 | 512 | 569 |
| | | | Y1 | COOL-B | 760 | 166 | 190 | 222 | 262 | 310 | 366 | 431 | 503 | 584 |
| | | | Y1 | COOL-C | 830 | 180 | 210 | 245 | 286 | 332 | 384 | 441 | 503 | 571 |
| | | | Y1 | COOL-D | 970 | 221 | 260 | 302 | 344 | 388 | 434 | 481 | 530 | 579 |
| | | High | Y1+Y2 | COOL-A | 1250 | 361 | 408 | 454 | 501 | 548 | 594 | 640 | 687 | 733 |
| | | | Y1+Y2 | COOL-B | 1050 | 253 | 296 | 340 | 384 | 428 | 472 | 516 | 561 | 605 |
| | | | Y1+Y2 | COOL-C | 1150 | 302 | 348 | 394 | 439 | 484 | 528 | 571 | 615 | 657 |
| | | | Y1+Y2 | COOL-D | 1350 | 429 | 475 | 522 | 570 | 620 | 671 | 723 | 777 | 831 |
| | Heat | N065 | W1 | HEAT-A | 1200 | 330 | 377 | 423 | 469 | 515 | 560 | - | - | - |
| | | | W1 | HEAT-B | 1300 | 394 | 440 | 487 | 535 | 583 | 631 | - | - | - |
| | | | W1 | HEAT-C | 1400 | 467 | 511 | 558 | 607 | 659 | 713 | - | - | - |
| | | | W1 | HEAT-D | 1500 | 550 | 590 | 635 | 686 | 743 | 804 | - | - | - |
| | | N090 | W1 | HEAT-A | 1150 | 302 | 348 | 394 | 439 | 484 | 528 | - | - | - |
| | | | W1 | HEAT-B | 1225 | 345 | 392 | 439 | 485 | 531 | 577 | - | - | - |
| | | | W1 | HEAT-C | 1275 | 377 | 424 | 471 | 518 | 565 | 612 | - | - | - |
| | | | W1 | HEAT-D | 1350 | 429 | 475 | 522 | 570 | 620 | 671 | - | - | - |
| | | D090 | W1 | HEAT-A | 740 | 163 | 185 | 216 | 255 | 304 | 362 | - | - | - |
| | | | W1 | HEAT-B | 785 | 170 | 196 | 230 | 270 | 317 | 372 | - | - | - |
| | | | W1 | HEAT-C | 825 | 178 | 208 | 243 | 284 | 330 | 382 | - | - | - |
| | | | W1 | HEAT-D | 870 | 189 | 223 | 260 | 301 | 347 | 396 | - | - | - |
| | | | W1+W2 | HEAT-A | 1150 | 302 | 348 | 394 | 439 | 484 | 528 | - | - | - |
| | | | W1+W2 | HEAT-B | 1220 | 342 | 389 | 436 | 482 | 528 | 573 | - | - | - |
| | | | W1+W2 | HEAT-C | 1280 | 380 | 427 | 474 | 521 | 568 | 616 | - | - | - |
| | | | W1+W2 | HEAT-D | 1350 | 429 | 475 | 522 | 570 | 620 | 671 | - | - | - |

DNX Bottom Duct Application (Continued)

| Model (Tons) | Mode | Thermostat Input | Speed Tap | CFM | External Static Pressure (Inch Water Gauge) | | | | | | | | | |
|-----------------|-------|---------------------|--------------|--------|---|-------|-------|-------|-------|-------|-------|-------|-------|------|
| | | | | | 0.2 | 0.3 | 0.4 | 0.5 | 0.6 | 0.7 | 0.8 | 0.9 | 1.0 | |
| | | | | | Watts | Watts | Watts | Watts | Watts | Watts | Watts | Watts | Watts | |
| DNX048 (4.0) | Cool | Low | Y1 | COOL-A | 1030 | 237 | 280 | 323 | 367 | 411 | 455 | 499 | 543 | 588 |
| | | | Y1 | COOL-B | 930 | 192 | 237 | 282 | 326 | 369 | 413 | 455 | 497 | 539 |
| | | | Y1 | COOL-C | 1070 | 257 | 300 | 343 | 386 | 430 | 475 | 520 | 565 | 611 |
| | | | Y1 | COOL-D | 1130 | 289 | 332 | 375 | 419 | 463 | 509 | 555 | 602 | 649 |
| | | High | Y1+Y2 | COOL-A | 1550 | 586 | 640 | 696 | 752 | 810 | 869 | 929 | 991 | 1053 |
| | | | Y1+Y2 | COOL-B | 1400 | 466 | 513 | 561 | 611 | 663 | 715 | 770 | 826 | 882 |
| | | | Y1+Y2 | COOL-C | 1600 | 630 | 687 | 745 | 804 | 864 | 926 | 988 | 1052 | 1116 |
| | | | Y1+Y2 | COOL-D | 1700 | 723 | 787 | 851 | 916 | 982 | 1049 | 1116 | 1185 | - |
| | Heat | N065 | W1 | HEAT-A | 1200 | 330 | 373 | 416 | 461 | 507 | 554 | - | - | - |
| | | | W1 | HEAT-B | 1300 | 394 | 439 | 484 | 531 | 579 | 629 | - | - | - |
| | | | W1 | HEAT-C | 1400 | 466 | 513 | 561 | 611 | 663 | 715 | - | - | - |
| | | | W1 | HEAT-D | 1500 | 544 | 596 | 648 | 702 | 758 | 815 | - | - | - |
| | | N090 | W1 | HEAT-A | 1325 | 412 | 456 | 503 | 550 | 599 | 649 | - | - | - |
| | | | W1 | HEAT-B | 1400 | 466 | 513 | 561 | 611 | 663 | 715 | - | - | - |
| | | | W1 | HEAT-C | 1500 | 544 | 596 | 648 | 702 | 758 | 815 | - | - | - |
| | | | W1 | HEAT-D | 1600 | 630 | 687 | 745 | 804 | 864 | 926 | - | - | - |
| | | D090 | W1 | HEAT-A | 870 | 168 | 215 | 261 | 306 | 350 | 393 | - | - | - |
| | | | W1 | HEAT-B | 920 | 188 | 233 | 278 | 322 | 366 | 409 | - | - | - |
| | | | W1 | HEAT-C | 985 | 216 | 260 | 303 | 347 | 391 | 434 | - | - | - |
| | | | W1 | HEAT-D | 1050 | 247 | 290 | 333 | 376 | 420 | 464 | - | - | - |
| | | | W1+W2 | HEAT-A | 1330 | 415 | 460 | 506 | 554 | 603 | 653 | - | - | - |
| | | | W1+W2 | HEAT-B | 1400 | 466 | 513 | 561 | 611 | 663 | 715 | - | - | - |
| | | | W1+W2 | HEAT-C | 1500 | 544 | 596 | 648 | 702 | 758 | 815 | - | - | - |
| | | | W1+W2 | HEAT-D | 1600 | 630 | 687 | 745 | 804 | 864 | 926 | - | - | - |
| | | N110 | W1 | HEAT-A | 1450 | 504 | 553 | 604 | 656 | - | - | - | - | - |
| | | | W1 | HEAT-B | 1500 | 544 | 596 | 648 | 702 | - | - | - | - | - |
| | | | W1 | HEAT-C | 1600 | 630 | 687 | 745 | 804 | - | - | - | - | - |
| | | | W1 | HEAT-D | 1700 | 723 | 787 | 851 | 916 | - | - | - | - | - |
| D110 | W1 | HEAT-A | 940 | 196 | 241 | 285 | 329 | - | - | - | - | - | | |
| | W1 | HEAT-B | 970 | 209 | 253 | 297 | 341 | - | - | - | - | - | | |
| | W1 | HEAT-C | 1050 | 247 | 290 | 333 | 376 | - | - | - | - | - | | |
| | W1 | HEAT-D | 1100 | 273 | 315 | 358 | 402 | - | - | - | - | - | | |
| | W1+W2 | HEAT-A | 1450 | 504 | 553 | 604 | 656 | - | - | - | - | - | | |
| | W1+W2 | HEAT-B | 1500 | 544 | 596 | 648 | 702 | - | - | - | - | - | | |
| | W1+W2 | HEAT-C | 1600 | 630 | 687 | 745 | 804 | - | - | - | - | - | | |
| | W1+W2 | HEAT-D | 1700 | 723 | 787 | 851 | 916 | - | - | - | - | - | | |

DNZ Gas Heat Minimum Supply Air

| Model (Tons) | Heat Size | Supply Air (CFM) | | | |
|-----------------|-----------|------------------|------|---------|------|
| | | Cooling | | Heating | |
| | | Min | Max | Min | Max |
| DNZ024 (2.0) | N036 | 600 | 1000 | 610 | 1330 |
| | D056 | 600 | 1000 | 860 | 1730 |
| DNZ030 (2.5) | N036 | 750 | 1250 | 610 | 1330 |
| | D056 | 750 | 1250 | 860 | 1730 |
| DNZ036 (3.0) | N036 | 1200 | 1500 | 610 | 1330 |
| | N056 | 1200 | 1500 | 940 | 2070 |
| | D056 | 1200 | 1500 | 940 | 2070 |
| | N072 | 1200 | 1500 | 1110 | 2220 |
| DNZ042 (3.5) | D072 | 1200 | 1500 | 1110 | 2220 |
| | N065 | 1050 | 1750 | 1080 | 2370 |
| | N090 | 1050 | 1750 | 1070 | 1780 |
| DNZ048 (4.0) | D090 | 1050 | 1750 | 1070 | 1780 |
| | N065 | 1200 | 2000 | 1080 | 2370 |
| | N090 | 1200 | 2000 | 1230 | 2290 |
| DNZ060 (5.0) | D090 | 1200 | 2000 | 1230 | 2290 |
| | N110 | 1200 | 2000 | 1330 | 2220 |
| | D110 | 1200 | 2000 | 1330 | 2220 |
| | N065 | 1500 | 2100 | 1080 | 2370 |
| DNZ060 (5.0) | N090 | 1500 | 2100 | 1230 | 2290 |
| | D090 | 1500 | 2100 | 1230 | 2290 |
| | N110 | 1500 | 2100 | 1330 | 2220 |
| | D110 | 1500 | 2100 | 1330 | 2220 |

DNQ Gas Heat Minimum Supply Air

| Model (Tons) | Heat Size | Supply Air (CFM) | | | |
|-----------------|-----------|------------------|------|---------|------|
| | | Cooling | | Heating | |
| | | Min | Max | Min | Max |
| DNQ024 (2.0) | N036 | 450 | 900 | 610 | 1330 |
| | N056 | 450 | 900 | 860 | 1730 |
| | D056 | 450 | 900 | 860 | 1730 |
| DNQ030 (2.5) | N036 | 750 | 1250 | 610 | 1330 |
| | N056 | 750 | 1250 | 860 | 1730 |
| | D056 | 750 | 1250 | 860 | 1730 |
| DNQ036 (3.0) | N036 | 700 | 1350 | 610 | 1330 |
| | N056 | 700 | 1350 | 940 | 2070 |
| | D056 | 700 | 1350 | 940 | 2070 |
| | N072 | 700 | 1350 | 1110 | 2220 |
| DNQ042 (3.5) | D072 | 700 | 1350 | 1110 | 2220 |
| | N065 | 1050 | 1750 | 1080 | 2370 |
| | N090 | 1050 | 1750 | 1070 | 1780 |
| DNQ048 (4.0) | D090 | 1050 | 1750 | 1070 | 1780 |
| | N065 | 930 | 1700 | 1080 | 2370 |
| | N090 | 930 | 1700 | 1230 | 2290 |
| DNQ060 (5.0) | D090 | 930 | 1700 | 1230 | 2290 |
| | N110 | 930 | 1700 | 1330 | 2220 |
| | D110 | 930 | 1700 | 1330 | 2220 |
| | N065 | 1060 | 1800 | 1080 | 2370 |
| DNQ060 (5.0) | N090 | 1060 | 1800 | 1230 | 2290 |
| | D090 | 1060 | 1800 | 1230 | 2290 |
| | N110 | 1060 | 1800 | 1330 | 2220 |
| | D110 | 1060 | 1800 | 1330 | 2220 |

DNX Gas Heat Minimum Supply Air

| Model (Tons) | | Heat Size | Supply Air (CFM) | | | |
|-----------------|-----|-----------|------------------|------|---------|------|
| | | | Cooling | | Heating | |
| | | | Min | Max | Min | Max |
| DNX024 (2.0) | | N036 | 450 | 900 | 610 | 1330 |
| | | N056 | 450 | 900 | 860 | 1730 |
| | | D056 | 450 | 900 | 860 | 1730 |
| DNX036 (3.0) | DNX | N065 | 685 | 1350 | 1080 | 2370 |
| | | N090 | 685 | 1350 | 1070 | 1780 |
| | | D090 | 685 | 1350 | 1070 | 1780 |
| DNX048 (4.0) | DNX | N065 | 930 | 1700 | 1080 | 2370 |
| | | N090 | 930 | 1700 | 1230 | 2290 |
| | | D090 | 930 | 1700 | 1230 | 2290 |
| | | N110 | 930 | 1700 | 1330 | 2220 |
| | | D110 | 930 | 1700 | 1330 | 2220 |

DNZ/DNQ Indoor Blower Specifications

| Model (Tons) | Motor | | | | |
|----------------------|-------|----------|------|-----|-------|
| | HP | RPM | Eff. | SF | Frame |
| DNZ/DNQ 024 (2.0) | 1/2 | Variable | 0.8 | 1.0 | 48 |
| DNZ/DNQ 030 (2.5) | 3/4 | Variable | 0.8 | 1.0 | 48 |
| DNZ/DNQ 036 (3.0) | 3/4 | Variable | 0.8 | 1.0 | 48 |
| DNZ/DNQ 042 (3.5) | 3/4 | Variable | 0.8 | 1.0 | 48 |
| DNZ/DNQ 048 (4.0) | 1 | Variable | 0.8 | 1.0 | 48 |
| DNZ/DNQ 060 (5.0) | 1 | Variable | 0.8 | 1.0 | 48 |

DNX Indoor Blower Specifications

| Model (Tons) | Motor | | | | |
|-----------------|-------|----------|------|-----|-------|
| | HP | RPM | Eff. | SF | Frame |
| DNX024 (2.0) | 1/2 | Variable | 0.8 | 1.0 | 48 |
| DNX036 (3.0) | 1 | Variable | 0.8 | 1.0 | 48 |
| DNX048 (4.0) | 1 | Variable | 0.8 | 1.0 | 48 |

Sound Performance**DNZ Outdoor Sound Power Levels**

| Model (Tons) | Sound Rating ¹ dB (A) | Octave Band Centerline Frequency (Hz) | | | | | | |
|-----------------|-------------------------------------|---------------------------------------|------|------|------|------|------|------|
| | | 125 | 250 | 500 | 1000 | 2000 | 4000 | 8000 |
| DNZ024 (2.0) | 77 | 64 | 65.5 | 68 | 72.5 | 64.5 | 60.5 | 48.5 |
| DNZ030 (2.5) | 74 | 63.5 | 64.5 | 66.5 | 67 | 63 | 57.5 | 51.5 |
| DNZ036 (3.0) | 74 | 66.5 | 66.5 | 69.5 | 68 | 63 | 59 | 49.5 |
| DNZ042 (3.5) | 79 | 70 | 70.5 | 73.5 | 73 | 69.5 | 67 | 66 |
| DNZ048 (4.0) | 79 | 70.5 | 71 | 73.5 | 73 | 70 | 66 | 66 |
| DNZ060 (5.0) | 80 | 73 | 71.5 | 74.5 | 75 | 70.5 | 67 | 62.5 |

1. Rated in accordance with AHRI 270 standard.

DNQ Outdoor Sound Power Levels

| Model (Tons) | Sound Rating ¹ dB (A) | Octave Band Centerline Frequency (Hz) | | | | | | |
|-----------------|-------------------------------------|---------------------------------------|------|------|------|------|------|------|
| | | 125 | 250 | 500 | 1000 | 2000 | 4000 | 8000 |
| DNQ024 (2.0) | 80 | 66 | 70.5 | 74 | 74.5 | 72.5 | 67.5 | 64.5 |
| DNQ030 (2.5) | 74 | 63.5 | 64.5 | 66.5 | 67 | 63 | 57.5 | 51.5 |
| DNQ036 (3.0) | 79.5 | 69 | 71.5 | 74 | 74 | 70.5 | 67 | 61 |
| DNQ042 (3.5) | 79 | 70 | 70.5 | 73.5 | 73 | 69.5 | 67 | 66 |
| DNQ048 (4.0) | 80 | 71.5 | 71.5 | 73.5 | 74 | 69.5 | 65 | 63.5 |
| DNQ060 (5.0) | 81 | 73.5 | 73 | 76 | 75.5 | 71 | 66.5 | 61.5 |

1. Rated in accordance with AHRI 270 standard.

DNX Outdoor Sound Power Levels

| Model (Tons) | Sound Rating ¹ dB (A) | Octave Band Centerline Frequency (Hz) | | | | | | |
|-----------------|-------------------------------------|---------------------------------------|------|------|------|------|------|------|
| | | 125 | 250 | 500 | 1000 | 2000 | 4000 | 8000 |
| DNX024 (2.0) | 80 | 66 | 70.5 | 74 | 74.5 | 72.5 | 67.5 | 64.5 |
| DNX036 (3.0) | 80 | 70.5 | 71 | 74.5 | 74 | 71 | 67.5 | 64 |
| DNX048 (4.0) | 81 | 72.5 | 73 | 76 | 75.5 | 71 | 67.5 | 65 |

1. Rated in accordance with AHRI 270 standard.

Electrical Data

DNZ Electrical Data

| Model (Tons) | Volt | Compressor | | | OD Fan Motor | Supply Blower Motor | MCA ¹ (Amps) | Max Fuse ² / Breaker ³ Size (Amps) |
|-----------------|--------------|------------|-----|-----|-----------------|---------------------------|----------------------------|--|
| | | RLA | LRA | MCC | FLA | FLA | | |
| DNZ024 (2.0) | 208/230-1-60 | 9.3 | 43 | 15 | 1.4 | 4.1 | 17.1 | 25 |
| DNZ030 (2.5) | 208/230-1-60 | 13.1 | 74 | 21 | 1.3 | 6.0 | 23.7 | 30 |
| | 208/230-3-60 | 8.6 | 68 | 14 | 1.3 | 6.0 | 18.1 | 25 |
| | 460-3-60 | 4.5 | 34 | 7 | 0.75 | 3.0 | 8.6 | 15 |
| DNZ036 (3.0) | 208/230-1-60 | 14.7 | 74 | 23 | 1.3 | 6.0 | 25.7 | 35 |
| | 208/230-3-60 | 9.1 | 68 | 14 | 1.3 | 6.0 | 18.7 | 25 |
| | 460-3-60 | 4.5 | 34 | 7 | 0.8 | 3.0 | 9.4 | 15 |
| DNZ042 (3.5) | 208/230-1-60 | 15.7 | 88 | 25 | 1.7 | 6.0 | 27.3 | 35 |
| | 208/230-3-60 | 9.3 | 68 | 15 | 1.7 | 6.0 | 19.3 | 25 |
| | 460-3-60 | 5.1 | 34 | 8 | 1.0 | 3.0 | 10.4 | 15 |
| DNZ048 (4.0) | 208/230-1-60 | 21.8 | 117 | 34 | 1.7 | 7.6 | 36.6 | 45 |
| | 208/230-3-60 | 13.7 | 83 | 21 | 1.7 | 7.6 | 26.4 | 35 |
| | 460-3-60 | 6.2 | 41 | 10 | 1.0 | 3.8 | 12.6 | 15 |
| DNZ060 (5.0) | 208/230-1-60 | 26.4 | 134 | 41 | 2.3 | 7.6 | 42.9 | 60 |
| | 208/230-3-60 | 15.9 | 110 | 25 | 2.3 | 7.6 | 29.8 | 40 |
| | 460-3-60 | 7.7 | 52 | 12 | 1.3 | 3.8 | 14.7 | 20 |

1. Minimum Circuit Ampacity.
2. Maximum Over Current Protection per standard UL 1995.
3. Fuse or HACR circuit breaker size installed at factory or field installed.

DNQ Electrical Data

| Model (Tons) | Volt | Compressor | | | OD Fan Motor | Supply Blower Motor | MCA ¹ (Amps) | Max Fuse ² / Breaker ³ Size (Amps) |
|-----------------|--------------|------------|-----|-----|-----------------|---------------------------|----------------------------|--|
| | | RLA | LRA | MCC | FLA | FLA | | |
| DNQ024 (2.0) | 208/230-1-60 | 8.3 | 43 | 13 | 1.4 | 4.3 | 16.1 | 20 |
| DNQ030 (2.5) | 208/230-1-60 | 14.1 | 73 | 22 | 1.4 | 6.8 | 25.8 | 35 |
| | 208/230-3-60 | 8.9 | 58 | 14 | 1.4 | 6.8 | 19.3 | 25 |
| | 460-3-60 | 4.2 | 28 | 7 | 0.8 | 3.4 | 9.5 | 15 |
| DNQ036 (3.0) | 208/230-1-60 | 14.1 | 77 | 22 | 1.4 | 6.8 | 25.8 | 35 |
| | 208/230-3-60 | 9.0 | 71 | 14 | 1.4 | 6.8 | 19.5 | 25 |
| | 460-3-60 | 5.6 | 38 | 9 | 0.8 | 3.4 | 11.2 | 15 |
| DNQ042 | 208/230-1-60 | 17.9 | 112 | 28 | 1.7 | 9.1 | 33.2 | 40 |
| | 208/230-3-60 | 13.2 | 88 | 21 | 1.7 | 9.1 | 27.3 | 35 |
| | 460-3-60 | 6.0 | 44 | 9 | 0.9 | 4.6 | 13 | 15 |
| DNQ048 (4.0) | 208/230-1-60 | 20.5 | 115 | 32 | 1.7 | 9.1 | 36.4 | 45 |
| | 208/230-3-60 | 16.0 | 120 | 25 | 1.7 | 9.1 | 30.8 | 40 |
| | 460-3-60 | 7.7 | 50 | 12 | 0.9 | 4.6 | 15.1 | 20 |
| DNQ060 (5.0) | 208/230-1-60 | 25.0 | 134 | 39 | 2.8 | 9.1 | 43.2 | 60 |
| | 208/230-3-60 | 15.9 | 110 | 25 | 2.8 | 9.1 | 31.8 | 40 |
| | 460-3-60 | 7.7 | 52 | 12 | 1.4 | 4.6 | 15.6 | 20 |

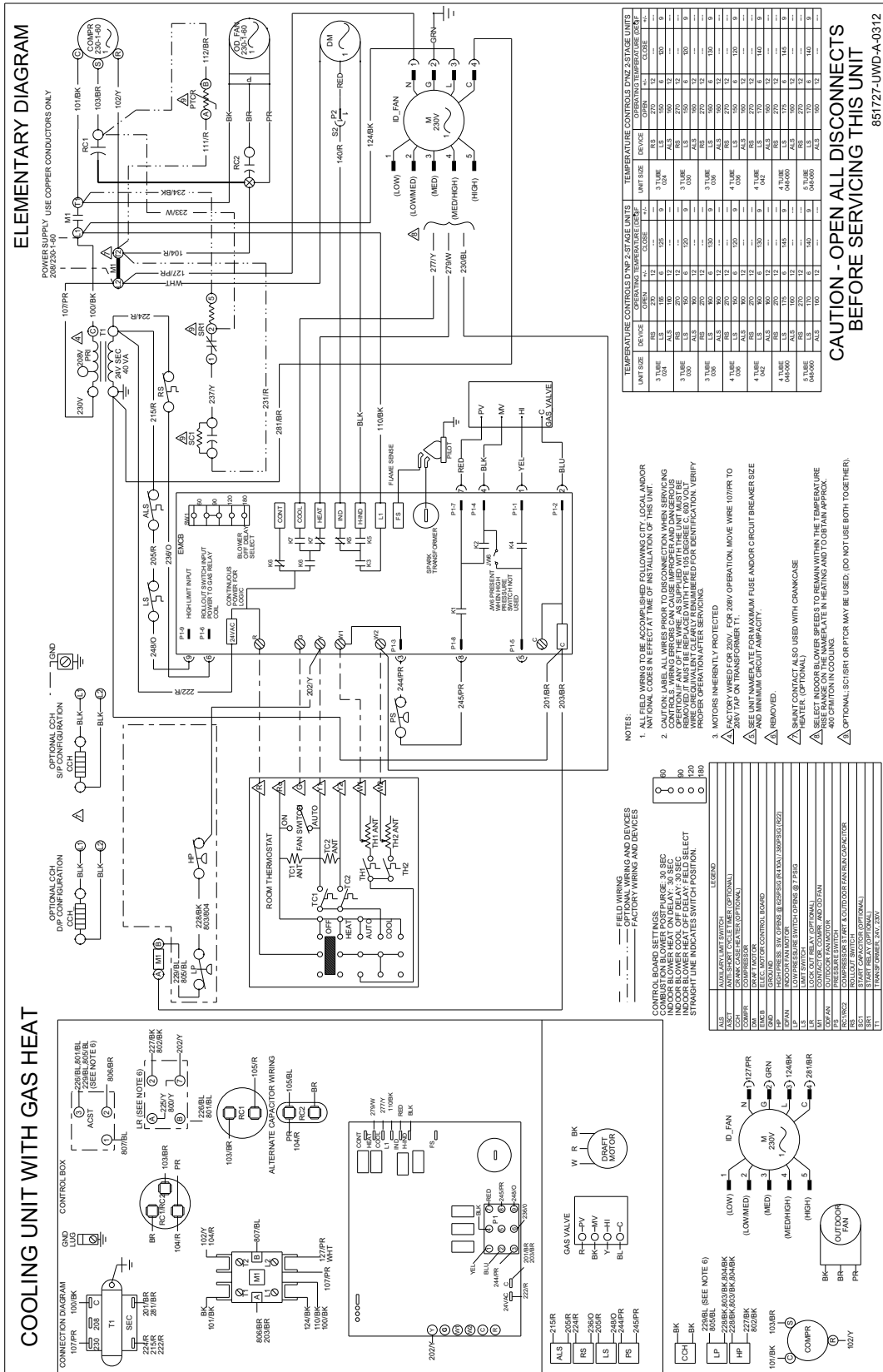
1. Minimum Circuit Ampacity.
2. Maximum Over Current Protection per standard UL 1995.
3. Fuse or HACR circuit breaker size installed at factory or field installed.

DNX Electrical Data

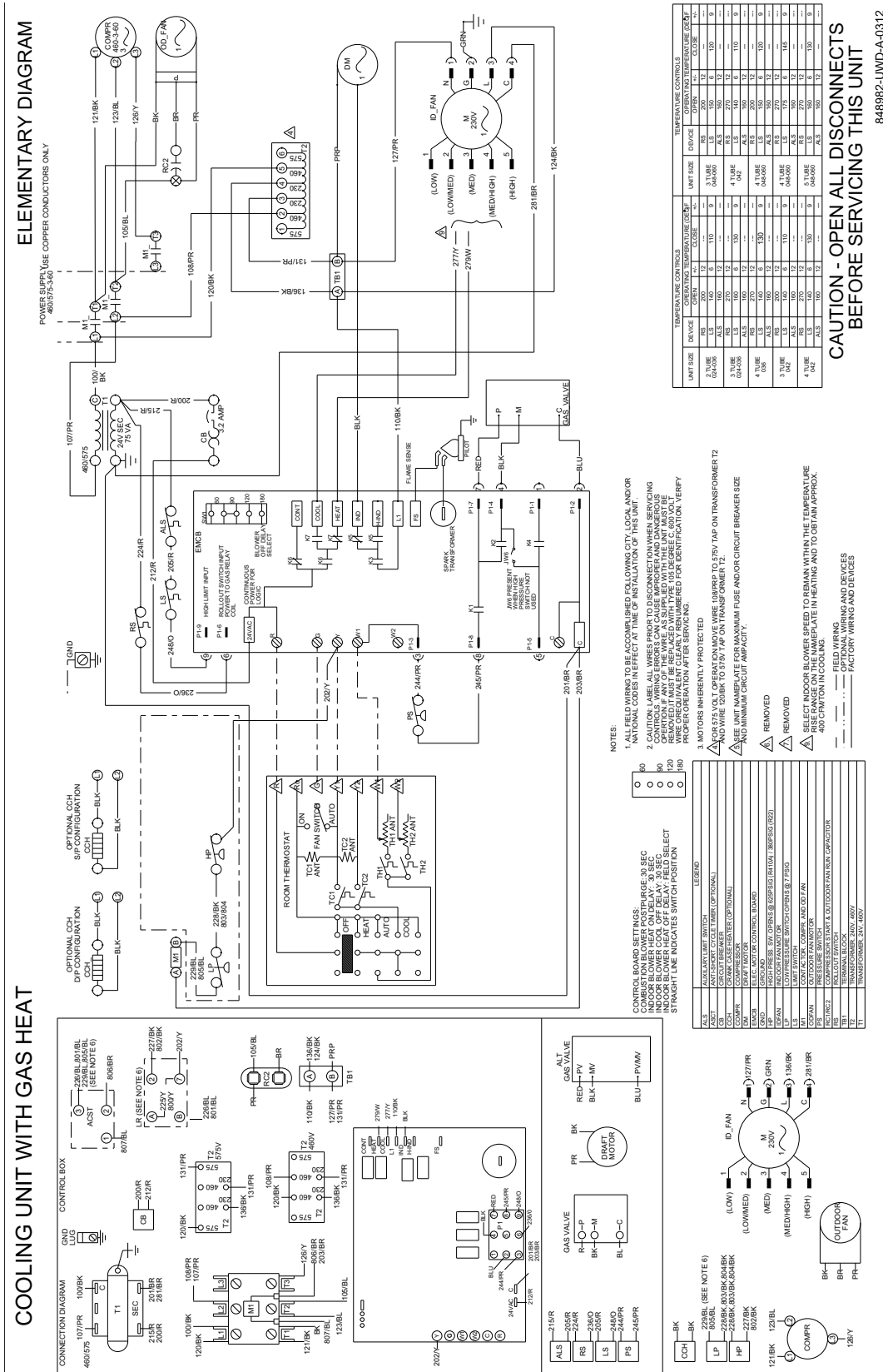
| Model (Tons) | Volt | Compressor | | | OD Fan Motor | Supply Blower Motor | MCA ¹ (Amps) | Max Fuse ² / Breaker ³ Size (Amps) |
|-----------------|--------------|------------|-----|-----|-----------------|---------------------------|----------------------------|--|
| | | RLA | LRA | MCC | FLA | FLA | | |
| DNX024 (2.0) | 208/230-1-60 | 10.2 | 52 | 16 | 1.4 | 4.3 | 18.1 | 25 |
| | 208/230-1-60 | 16.6 | 82 | 26 | 0.9 | 9.1 | 30.7 | 40 |
| DNX036 (3.0) | 208/230-3-60 | 11.1 | 58 | 17 | 0.9 | 9.1 | 23.8 | 30 |
| | 460-3-60 | 4.5 | 29 | 7 | 0.5 | 4.6 | 10.7 | 15 |
| DNX048 (4.0) | 208/230-1-60 | 21.1 | 96 | 33 | 1.8 | 9.1 | 36.3 | 45 |
| | 208/230-3-60 | 13.4 | 88 | 21 | 1.8 | 9.1 | 26.7 | 35 |
| | 460-3-60 | 6.4 | 41 | 10 | 0.9 | 4.6 | 13.0 | 15 |

1. Minimum Circuit Ampacity.
2. Maximum Over Current Protection per standard UL 1995.
3. Fuse or HACR circuit breaker size installed at factory or field installed.

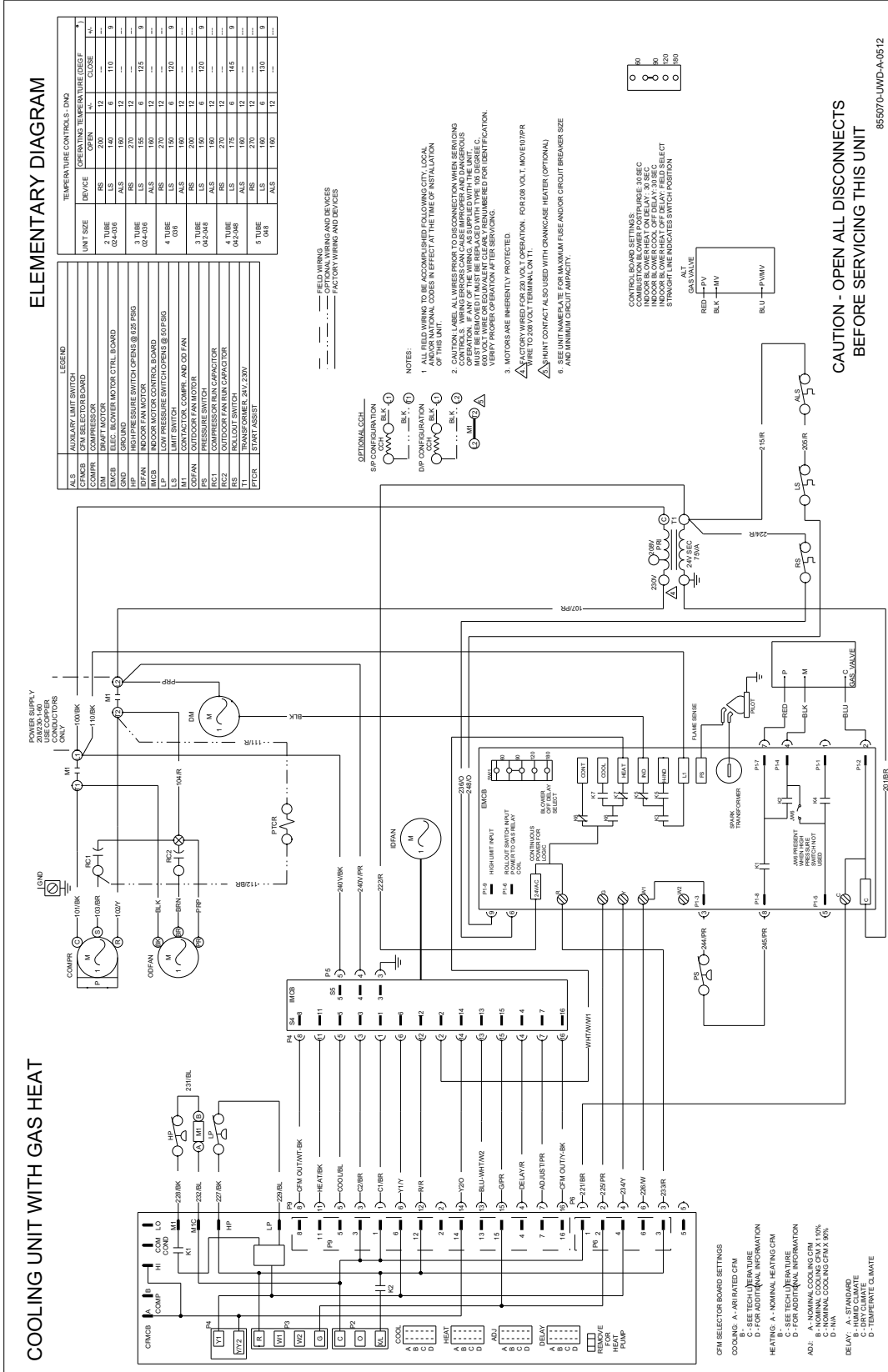
Typical DNZ024-060 Cooling Unit with Two Stage Gas Heat 208/230-1-60 volt Wiring Diagram



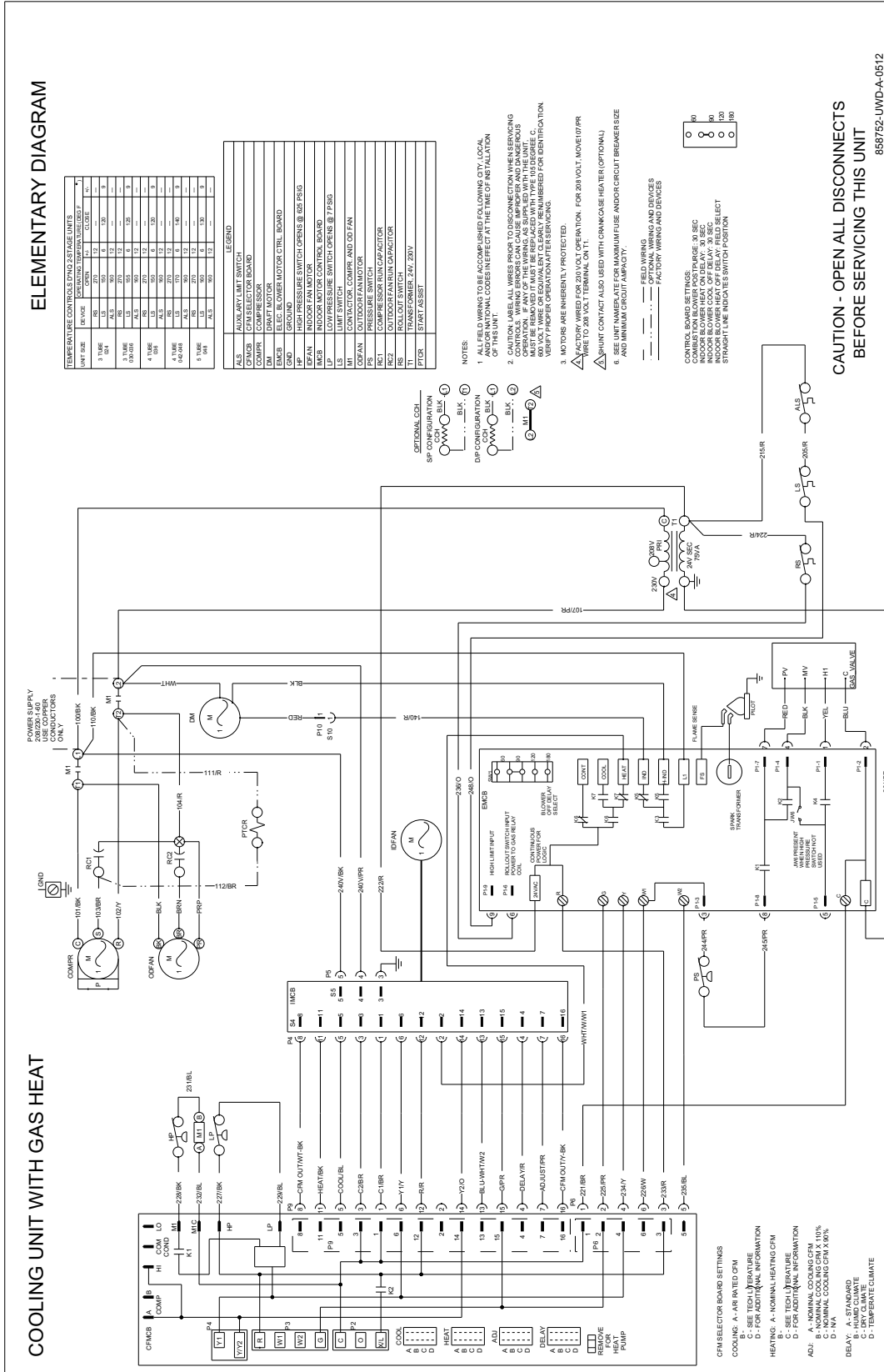
Typical DNZ030-060 Cooling Unit with Single Stage Gas Heat 460-3-60 volt Wiring Diagram



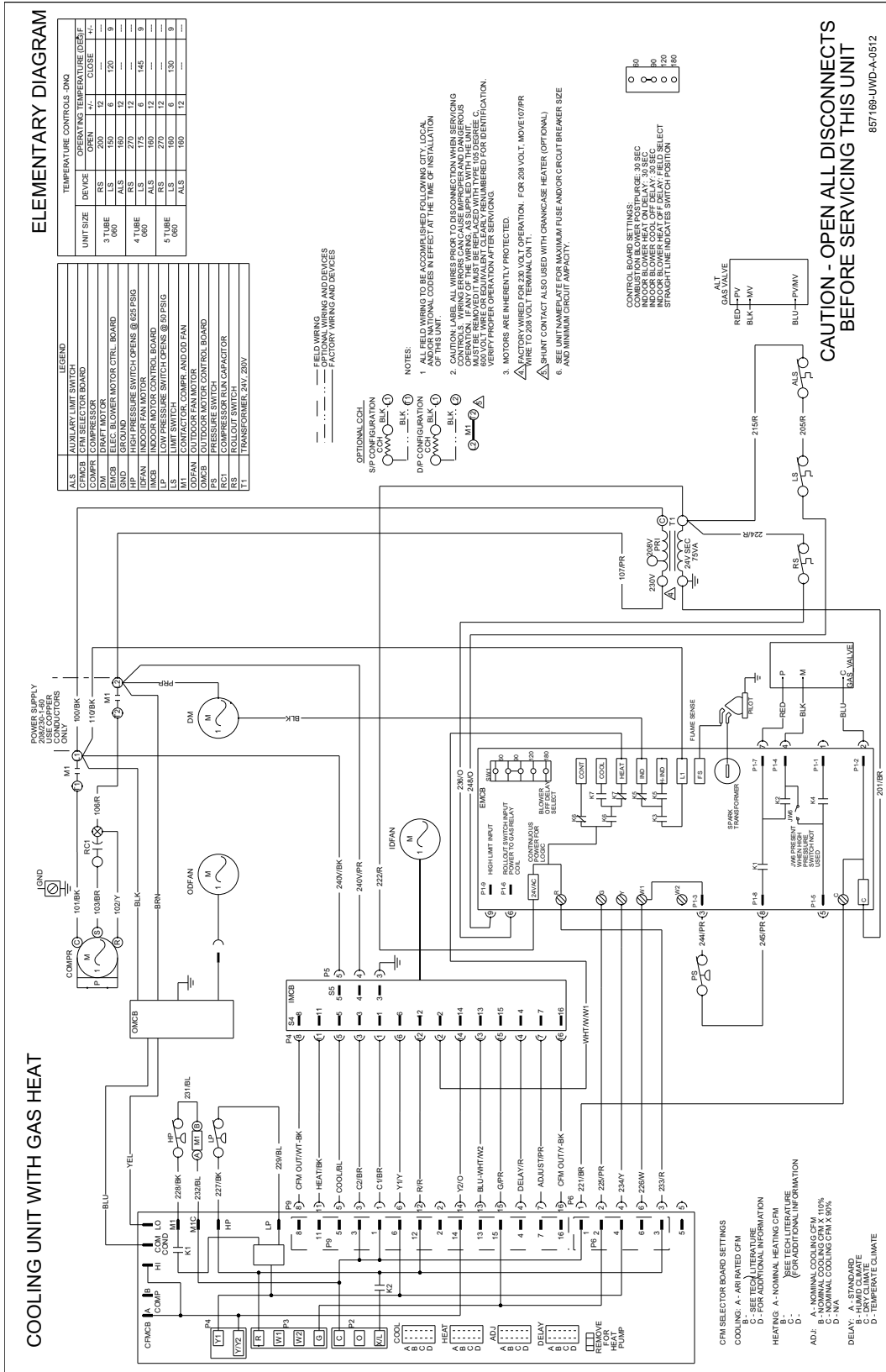
Typical DNQ024-048 Cooling Unit with Single Stage Gas Heat 208/230-1-60 volt Wiring Diagram



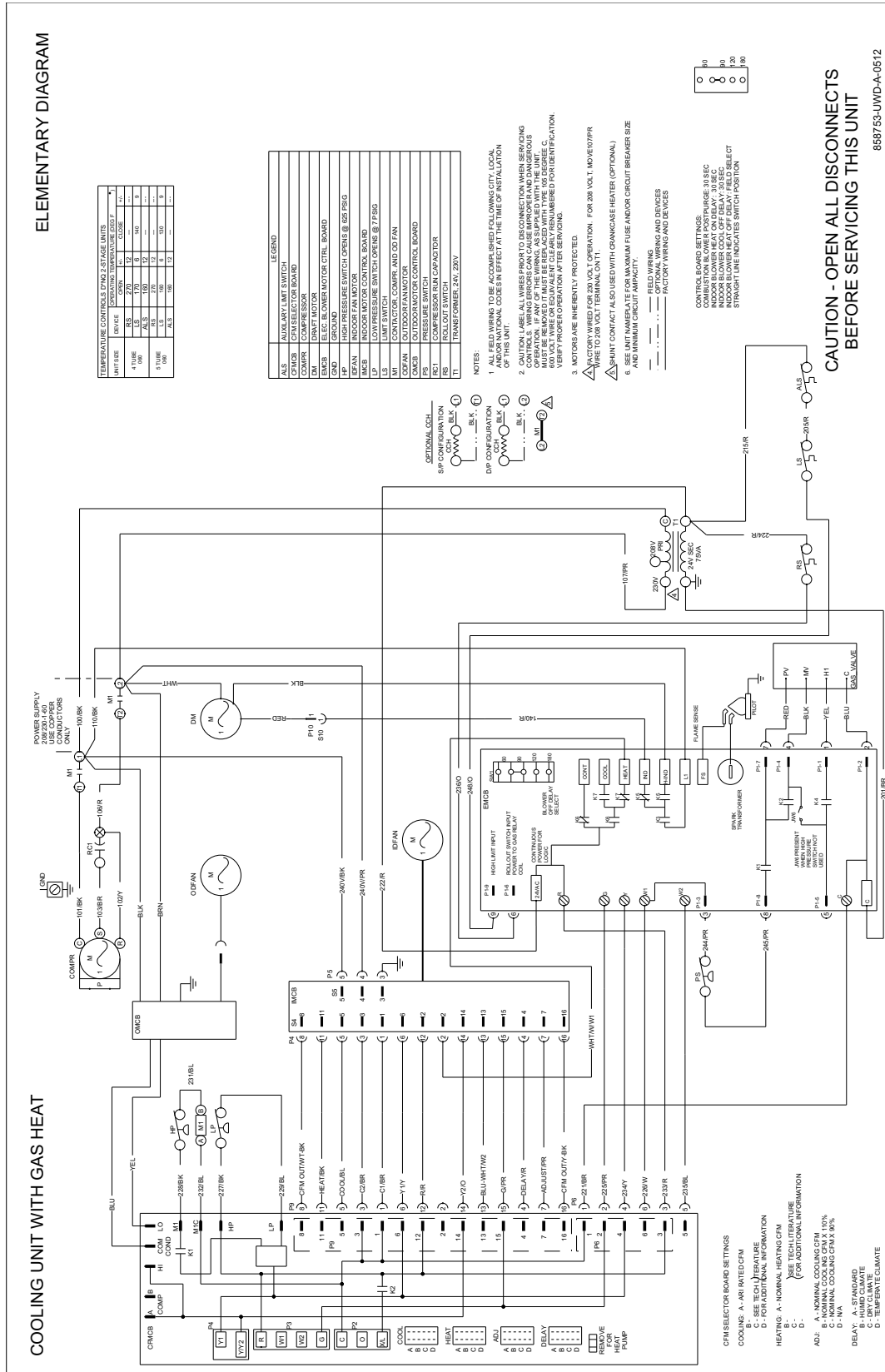
Typical DNQ024-048 Cooling Unit with Two Stage Gas Heat 208/230-1-60 volt Wiring Diagram



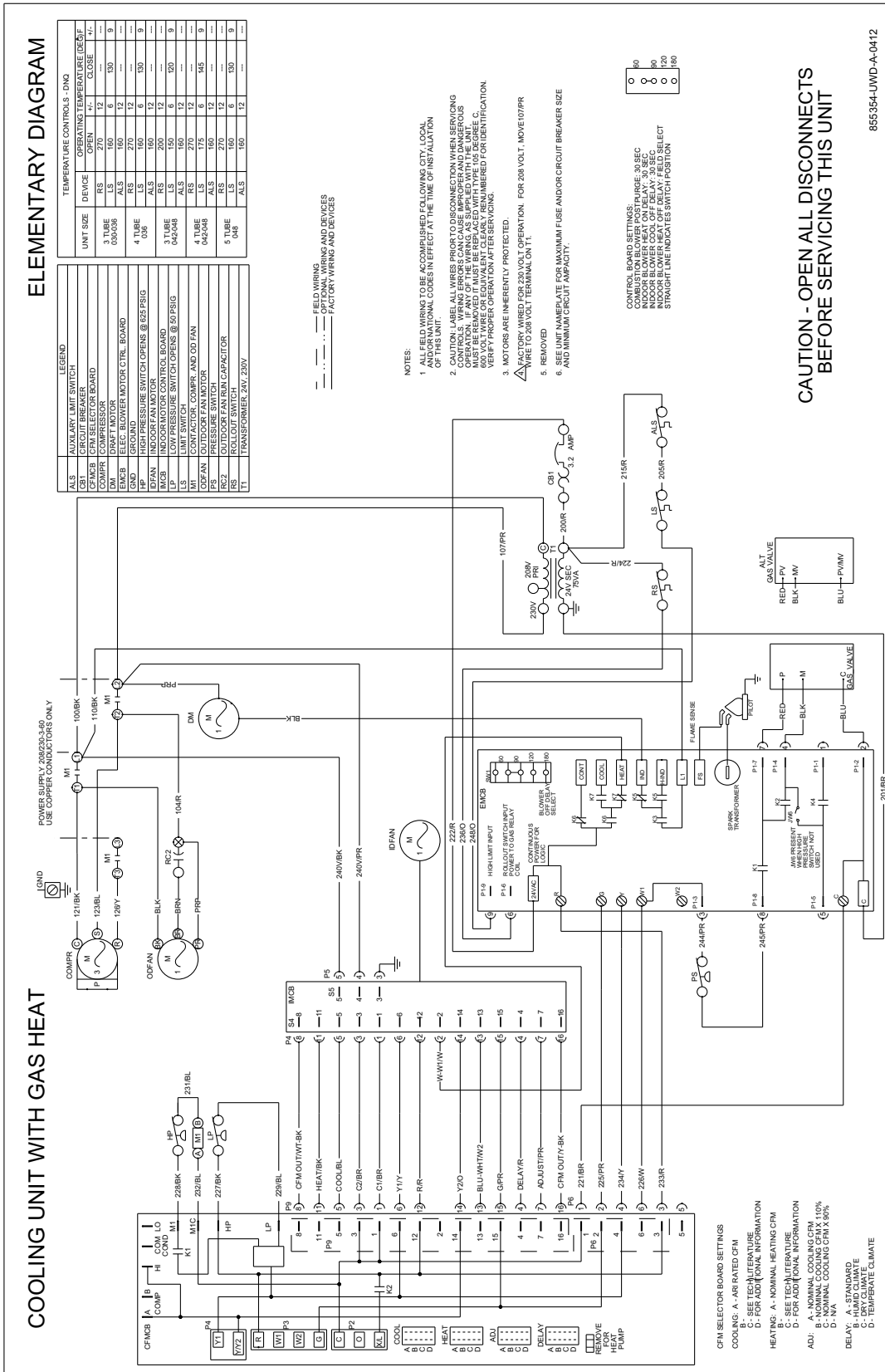
Typical DNQ060 Cooling Unit with Single Stage Gas Heat 208/230-1-60 volt Wiring Diagram



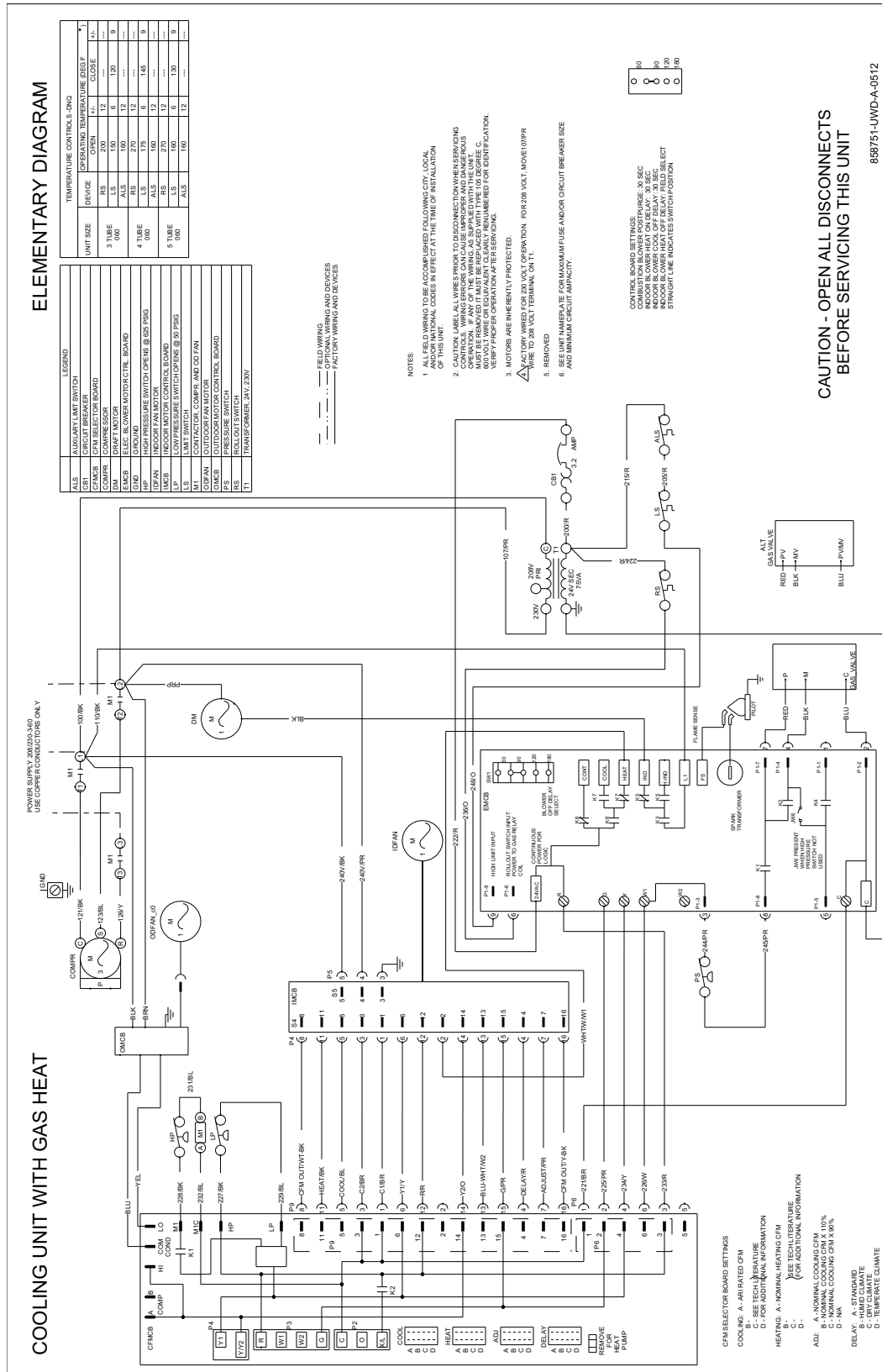
Typical DNQ060 Cooling Unit with Two Stage Gas Heat 208/230-1-60 volt Wiring Diagram



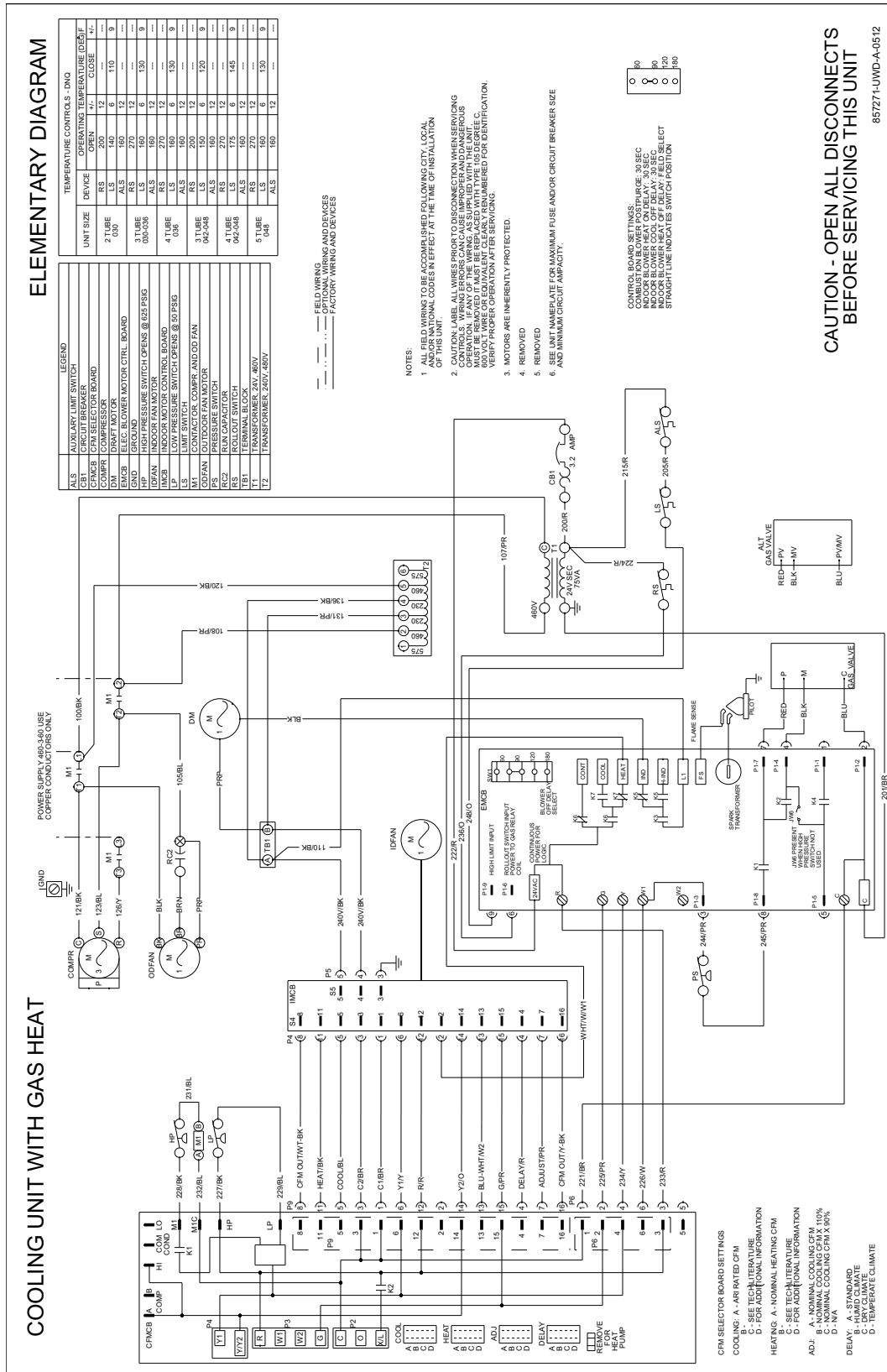
Typical DNQ036-048 Cooling Unit with Single Stage Gas Heat 208/230-3-60 volt Wiring Diagram



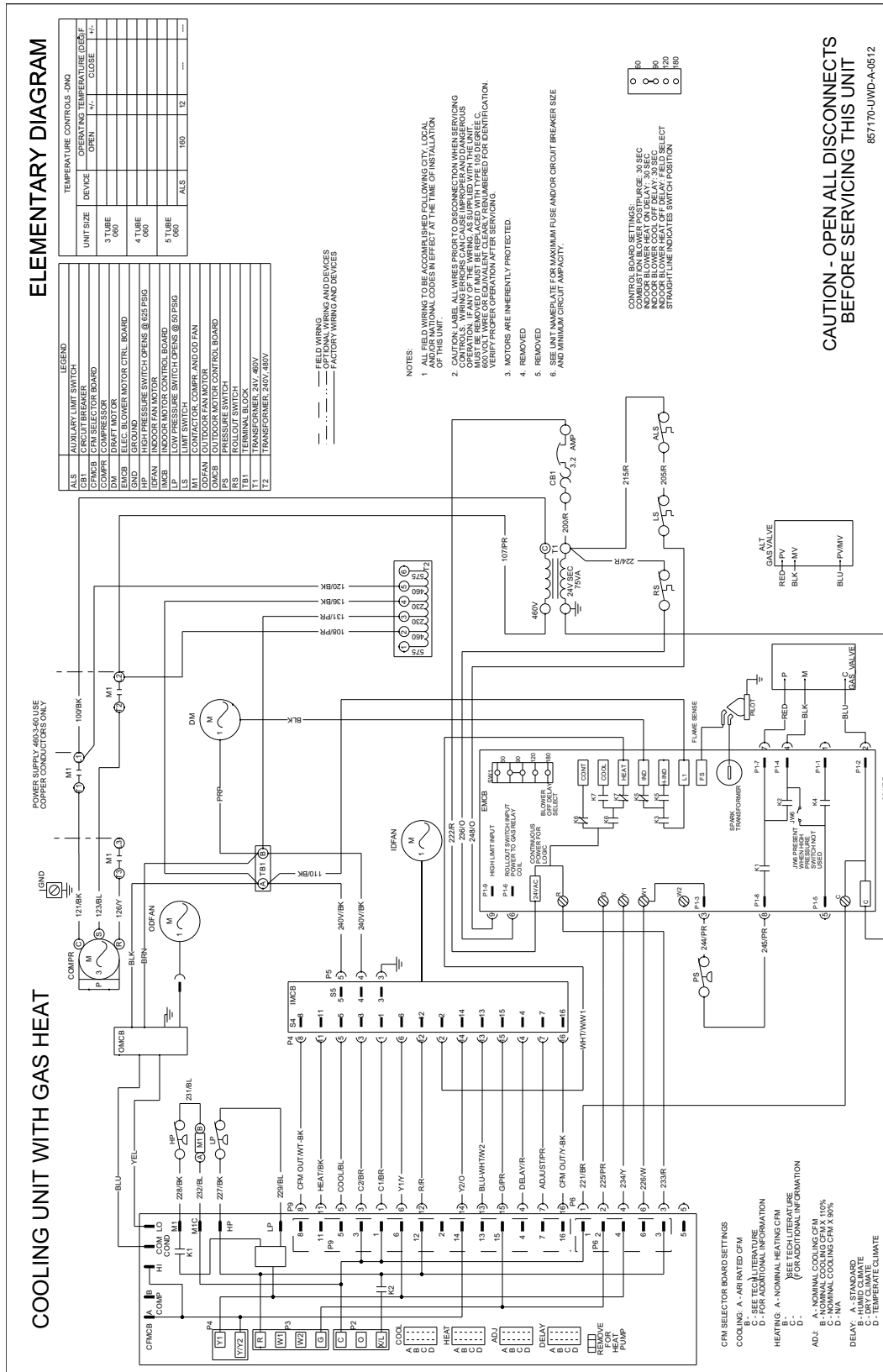
Typical DNQ060 Cooling Unit with Single Stage Gas Heat 208/230-3-60 volt Wiring Diagram



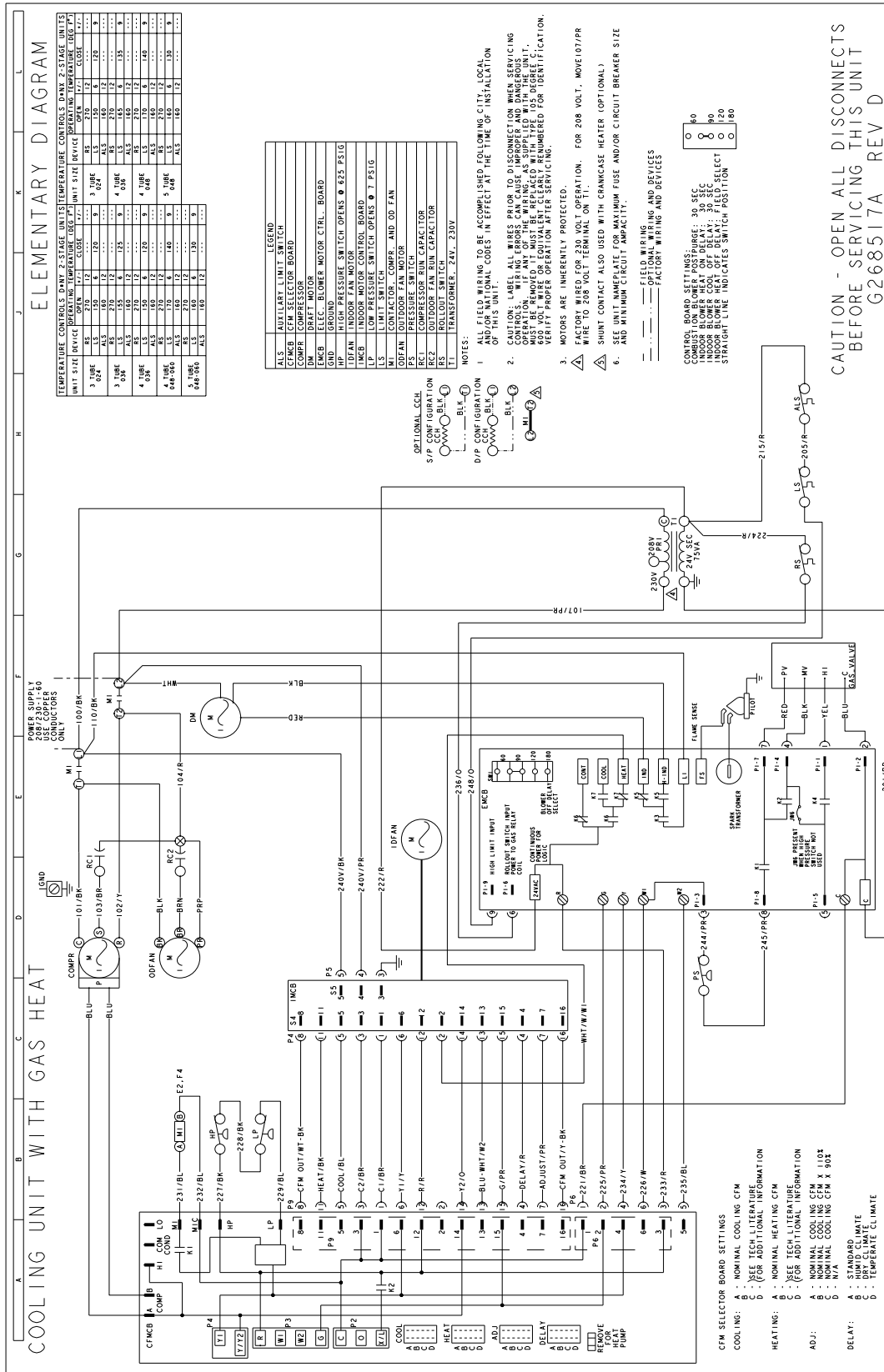
Typical DNQ036-048 Cooling Unit with Single Stage Gas Heat 460-3-60 volt Wiring Diagram



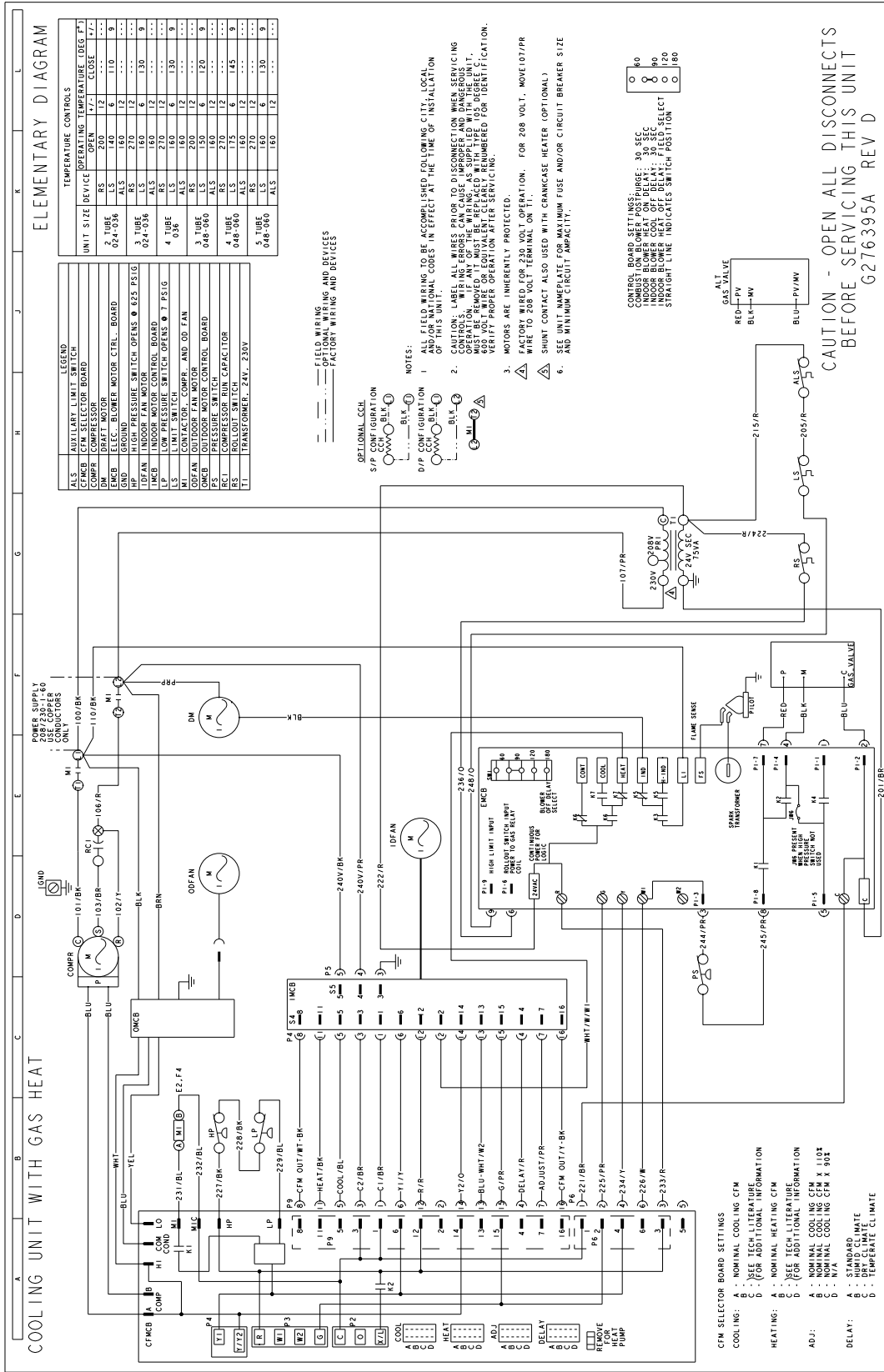
Typical DNQ060 Cooling Unit with Single Stage Gas Heat 460-3-60 volt Wiring Diagram



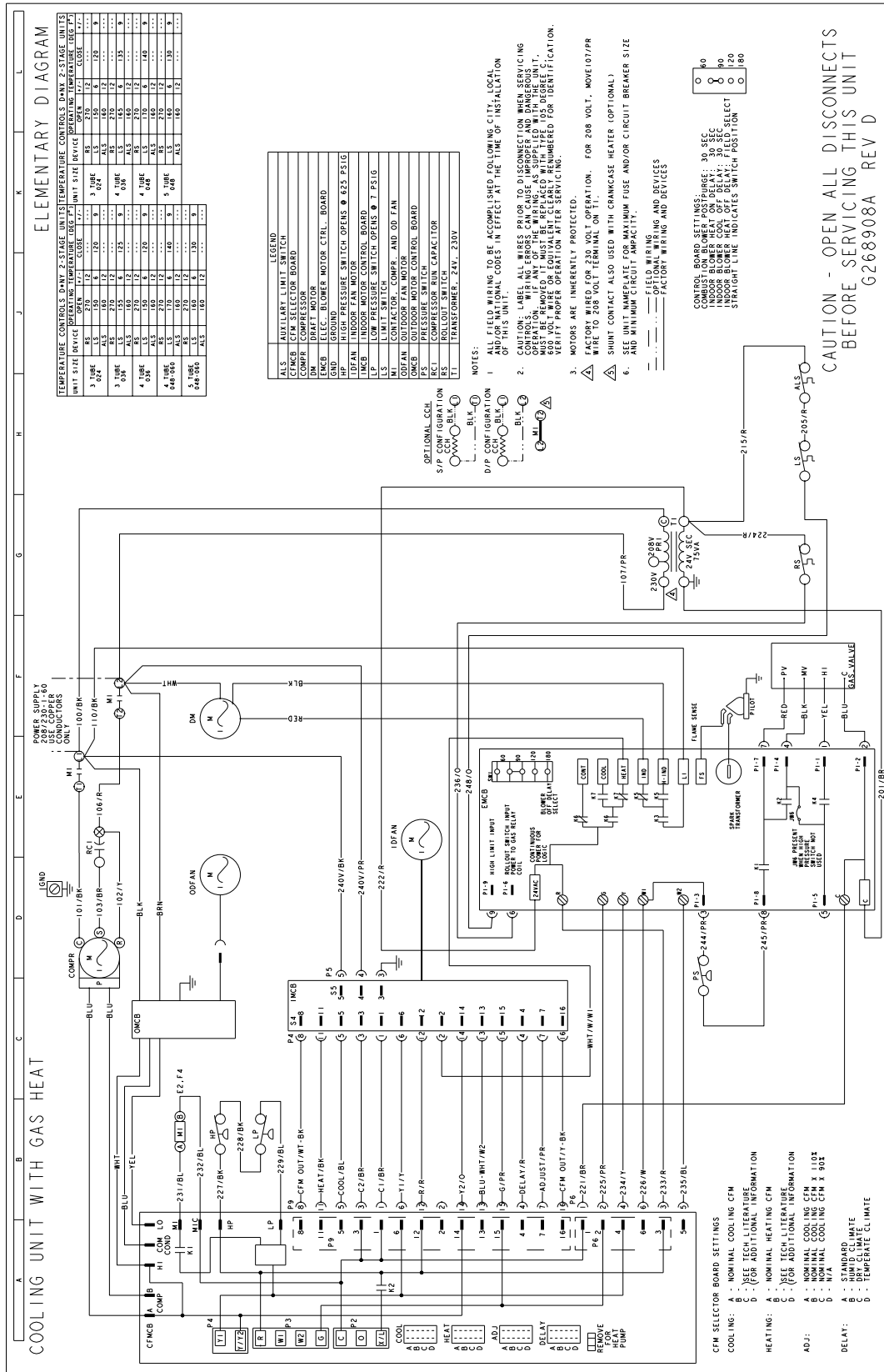
Typical DNX024 Cooling Unit with Two Stage Gas Heat 208/230-1-60 volt Wiring Diagram



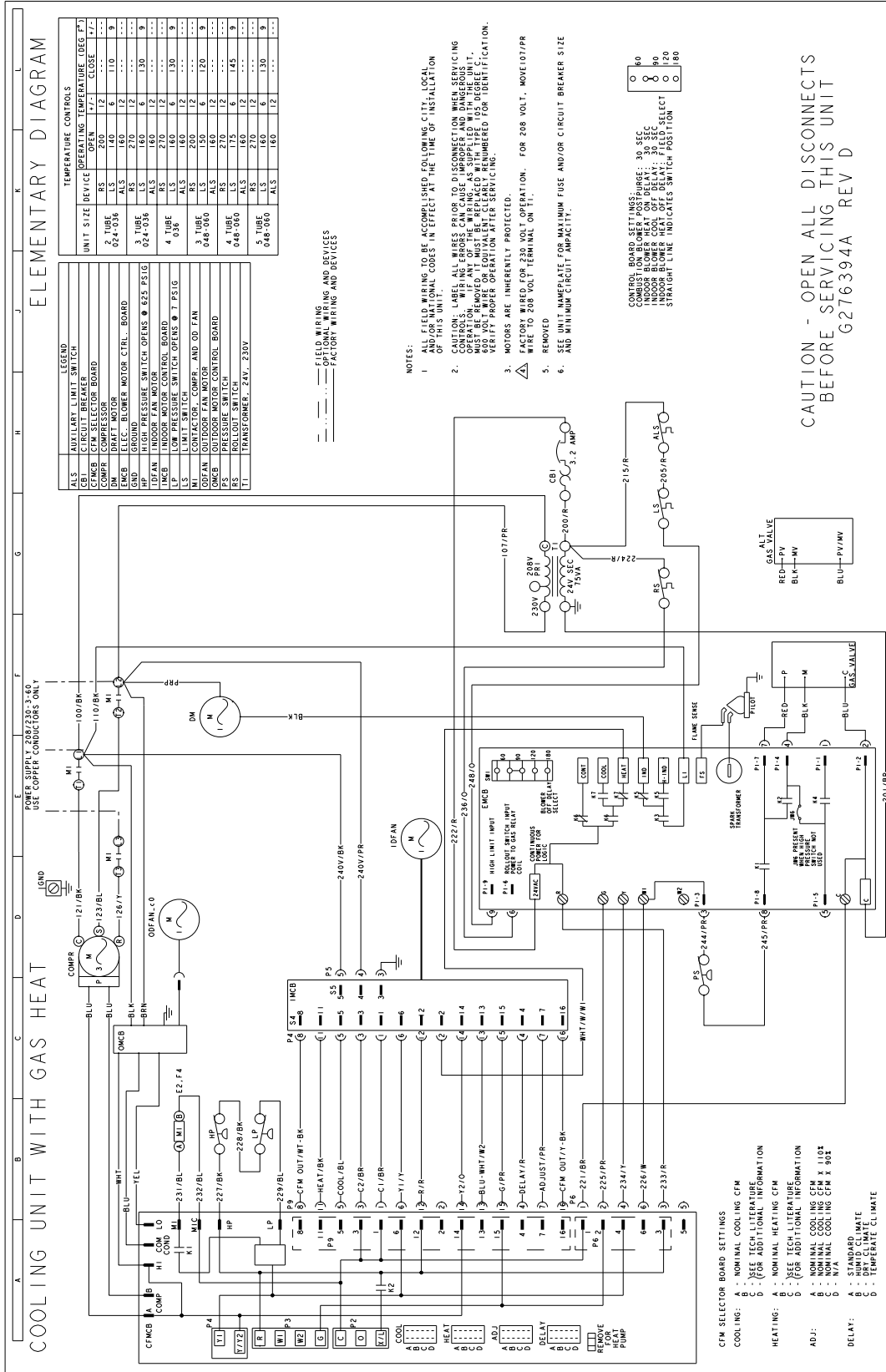
Typical DNX036-048 Cooling Unit with Single Stage Gas Heat 208/230-1-60 volt Wiring Diagram



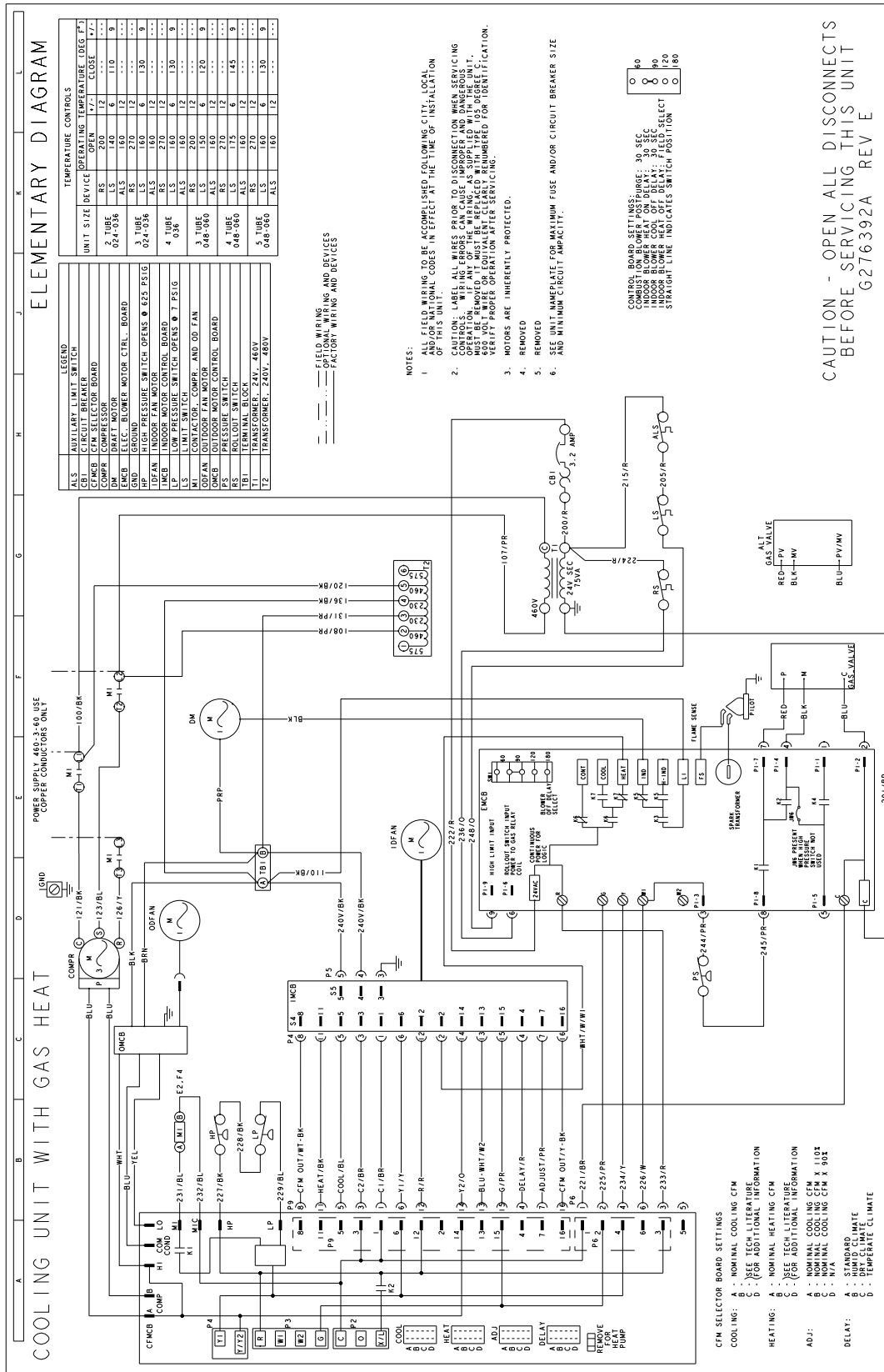
Typical DNX036-048 Cooling Unit with Two Stage Gas Heat 208/230-1-60 volt Wiring Diagram



Typical DNX036-048 Cooling Unit with Single Stage Gas Heat 208/230-3-60 volt Wiring Diagram



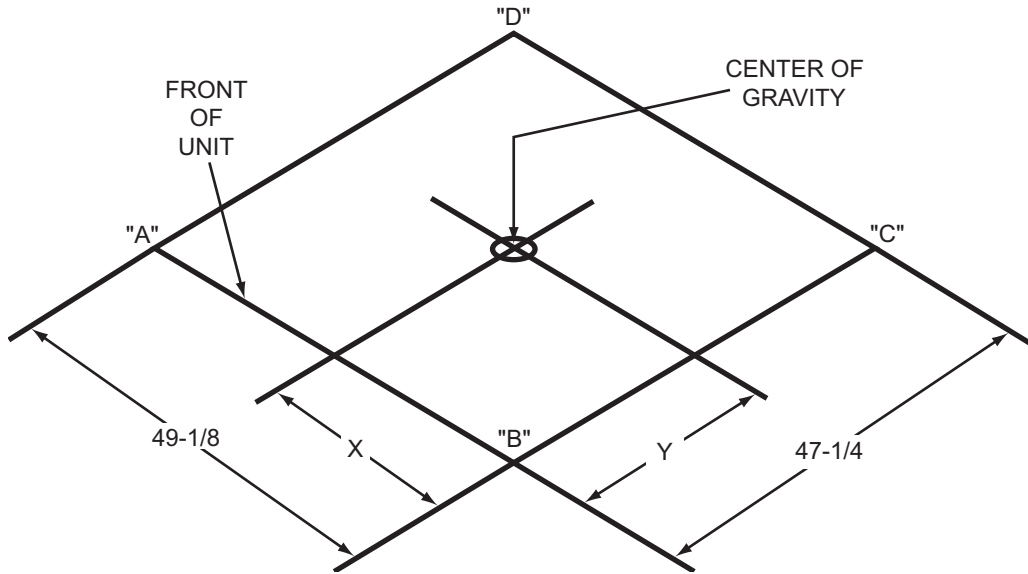
Typical DNX036-048 Cooling Unit with Single Stage Gas Heat 460-3-60 volt Wiring Diagram



Weights and Dimensions

DNZ/DNQ/DNX Unit Weights

Unit 4 Point Load Location



DNZ Weights and Dimensions

| Model (Tons) | Weight (lbs.) | | Center of Gravity | | 4 Point Load Location (lbs.) | | | |
|--------------|---------------|-----------|-------------------|------|------------------------------|----|-----|-----|
| | Shipping | Operating | X | Y | A | B | C | D |
| DNZ024 (2.0) | 383 | 378 | 23.8 | 20 | 77 | 77 | 112 | 112 |
| DNZ030 (2.5) | 403 | 398 | 24 | 20 | 81 | 81 | 119 | 117 |
| DNZ036 (3.0) | 407 | 402 | 24 | 20 | 81 | 82 | 120 | 119 |
| DNZ042 (3.5) | 465 | 460 | 22.7 | 21.3 | 105 | 95 | 124 | 137 |
| DNZ048 (4.0) | 470 | 465 | 22.7 | 21.3 | 106 | 96 | 125 | 138 |
| DNZ060 (5.0) | 485 | 480 | 23 | 21 | 106 | 99 | 132 | 142 |

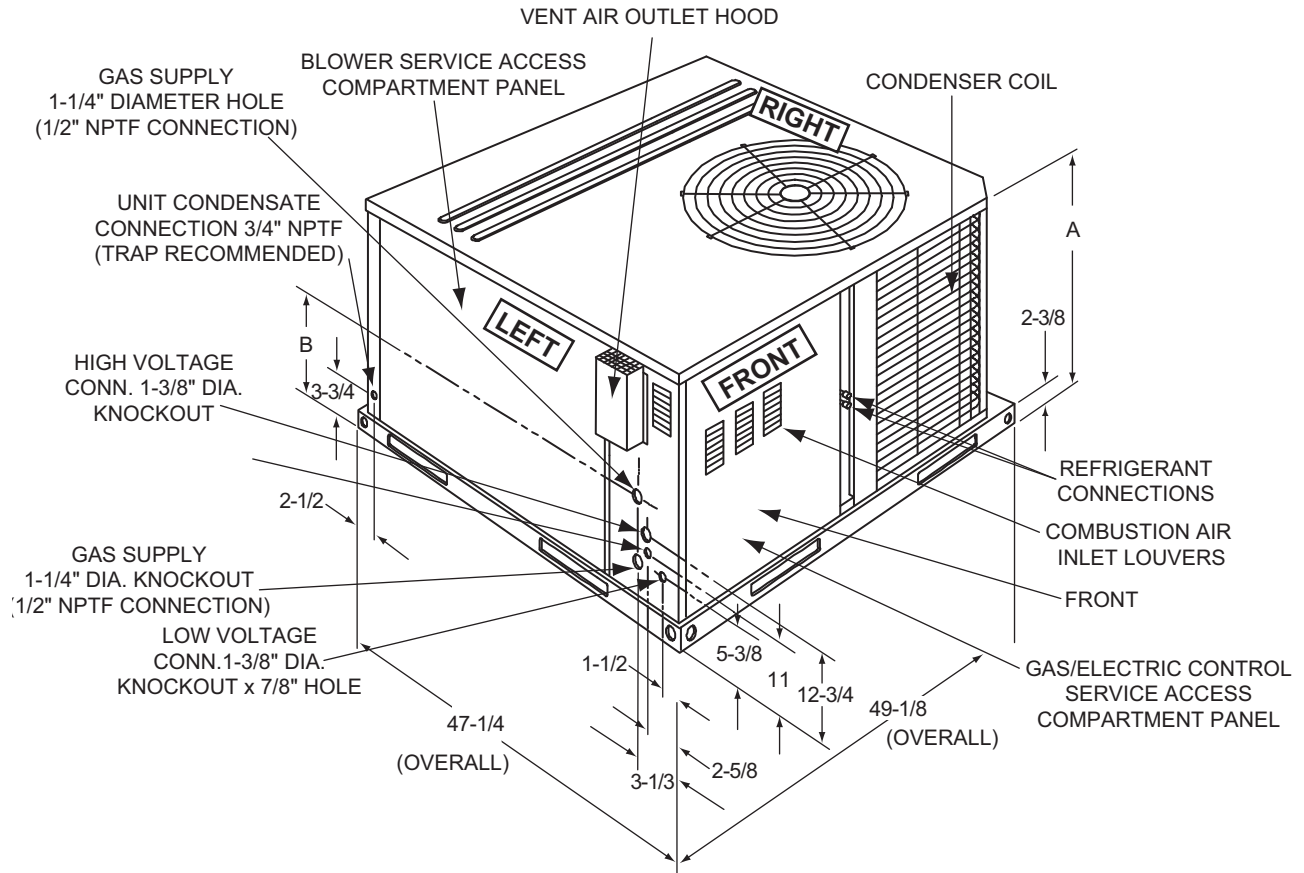
DNQ Weights and Dimensions

| Model (Tons) | Weight (lbs.) | | Center of Gravity | | 4 Point Load Location (lbs.) | | | |
|--------------|---------------|-----------|-------------------|-------|------------------------------|-----|-----|-----|
| | Shipping | Operating | X | Y | A | B | C | D |
| DNQ024 (2.0) | 395 | 390 | 20 | 24.5 | 113 | 81 | 82 | 114 |
| DNQ030 (2.5) | 430 | 425 | 20 | 24.25 | 122 | 88 | 90 | 125 |
| DNQ036 (3.0) | 435 | 430 | 20 | 24.25 | 123 | 89 | 91 | 127 |
| DNQ042 (3.5) | 490 | 485 | 20 | 24 | 138 | 99 | 104 | 144 |
| DNQ048 (4.0) | 495 | 490 | 20 | 24 | 139 | 100 | 105 | 146 |
| DNQ060 (5.0) | 535 | 530 | 20 | 24 | 150 | 108 | 114 | 158 |

DNX Weights and Dimensions

| Model (Tons) | Weight (lbs.) | | Center of Gravity | | 4 Point Load Location (lbs.) | | | |
|-------------------------|----------------------|------------------|--------------------------|----------|-------------------------------------|----------|----------|----------|
| | Shipping | Operating | X | Y | A | B | C | D |
| DNX024 (2.0) | 445 | 440 | 20 | 24.5 | 127 | 93 | 93 | 127 |
| DNX036 (3.0) | 445 | 440 | 20 | 24.25 | 126 | 91 | 93 | 129 |
| DNX048 (4.0) | 505 | 500 | 20 | 24 | 142 | 102 | 107 | 149 |

Gas Unit Dimensions



DNZ Unit Dimensions Front

| Unit Model | Dimensions | |
|-------------------|------------|--------|
| | "A" | "B" |
| DNZ 024, 030, 036 | 33-1/2 | 18-1/4 |
| DNZ 042, 048, 060 | 41-1/2 | 23-1/8 |

DNQ Unit Dimensions Front

| Unit Model | Dimensions | |
|-------------------|------------|--------|
| | "A" | "B" |
| DNQ 024, 030, 036 | 33-1/2 | 18-1/4 |
| DNQ 042, 048, 060 | 41-1/2 | 23-1/8 |

DNX Unit Dimensions

| Unit Model | Dimensions | |
|--------------|------------|--------|
| | "A" | "B" |
| DNX 024 | 33-1/2 | 18-1/4 |
| DNX 036, 048 | 41-1/2 | 23-1/8 |

DNZ/DNQ/DNX Gas Unit Clearances^{1 2}

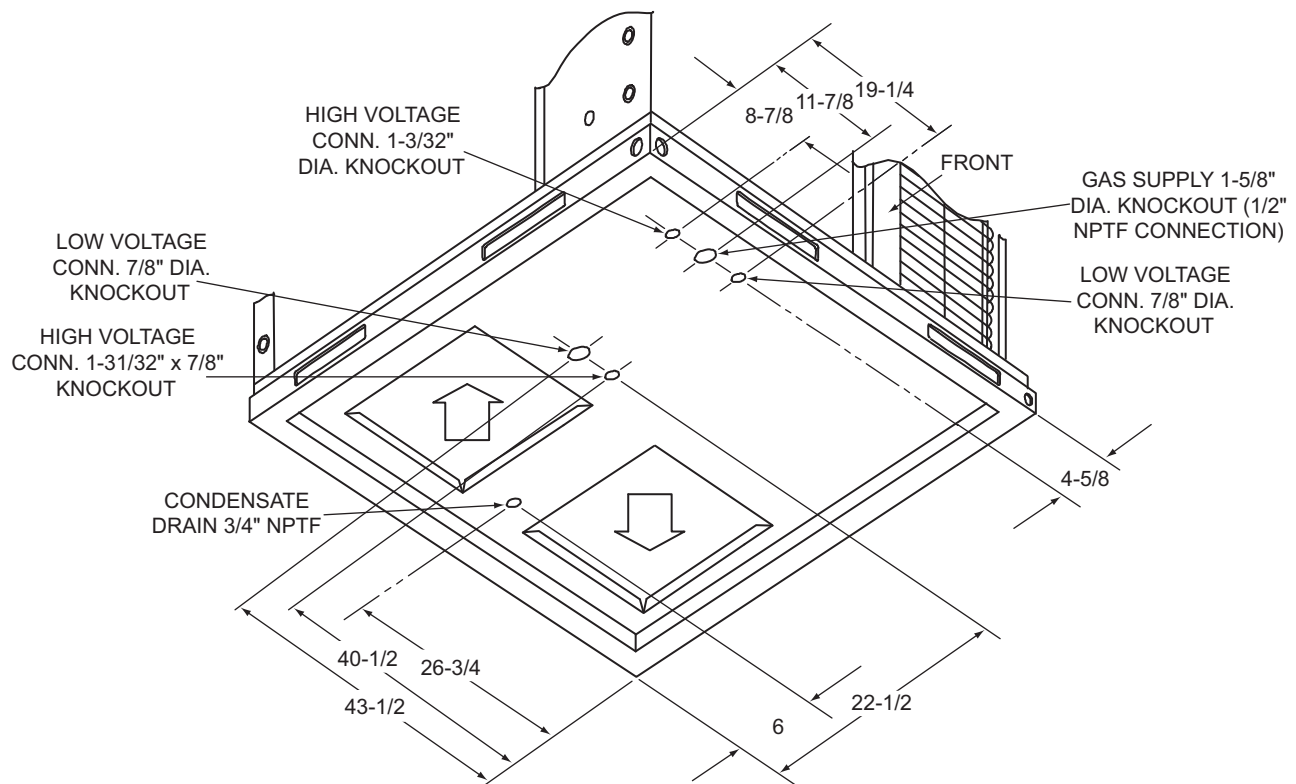
| Direction | Distance (in.) | Direction | Distance (in.) |
|------------------|----------------|---------------------|----------------|
| Top ³ | 36 | Right | 12 |
| Front | 36 | Left | 24 |
| Rear | 0 | Bottom ⁴ | 0 |

1. A 1" clearance must be provided between any combustable material and the supply air duct work.
2. The products of combustion must not be allowed to accumulate within a confined space and recirculate.
3. Units must be installed outdoors. Over hanging structure or shrubs should not obscure condenser air discharge outlet.
4. Units may be installed on combustable floors made from wood or class A, B or C roof covering materials.

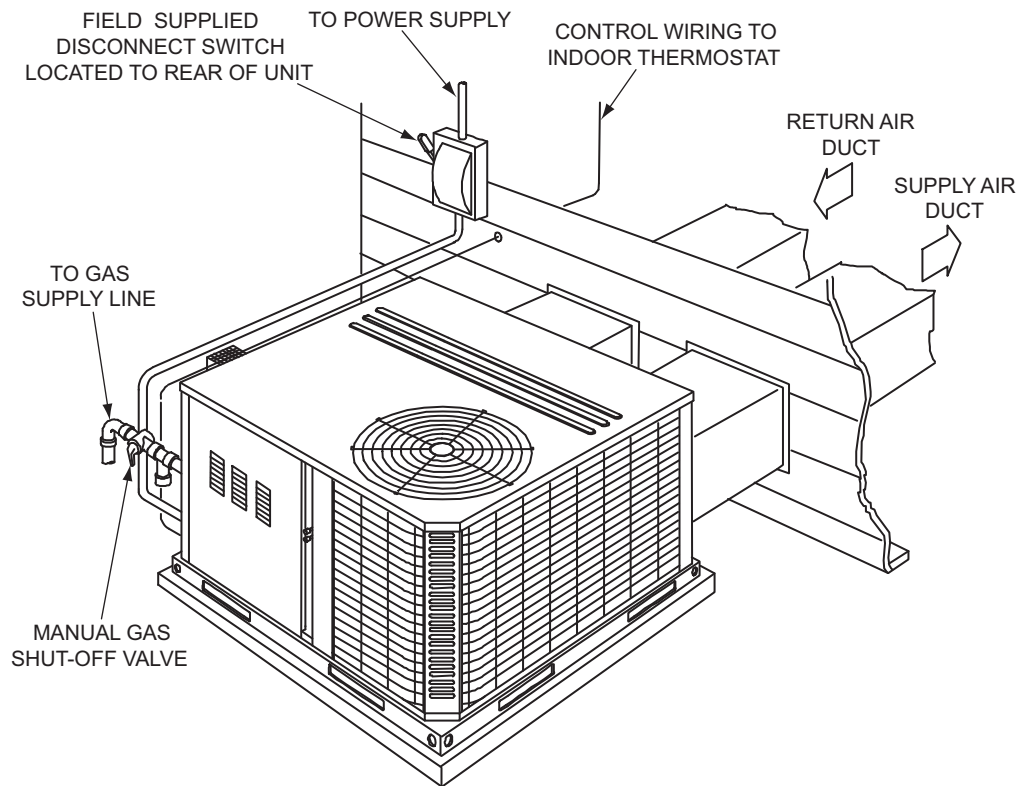
DNZ/DNQ/DNX Unit Accessory Weights

| Unit Accessory | Model | Weight (lbs.) | |
|----------------|-------|---------------|-----------|
| | | Shipping | Operating |
| Add Economizer | All | 45 | 40 |

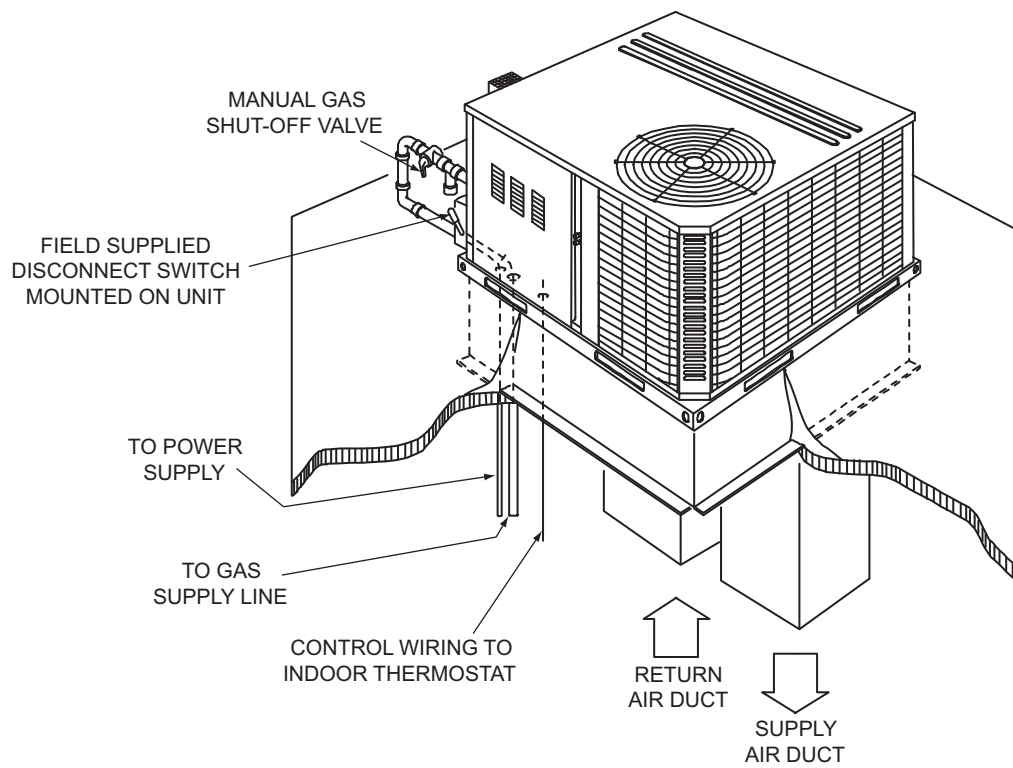
Unit Dimensions Front and Bottom



Unit Typical Slab on Ground Installation (Gas Model Shown)

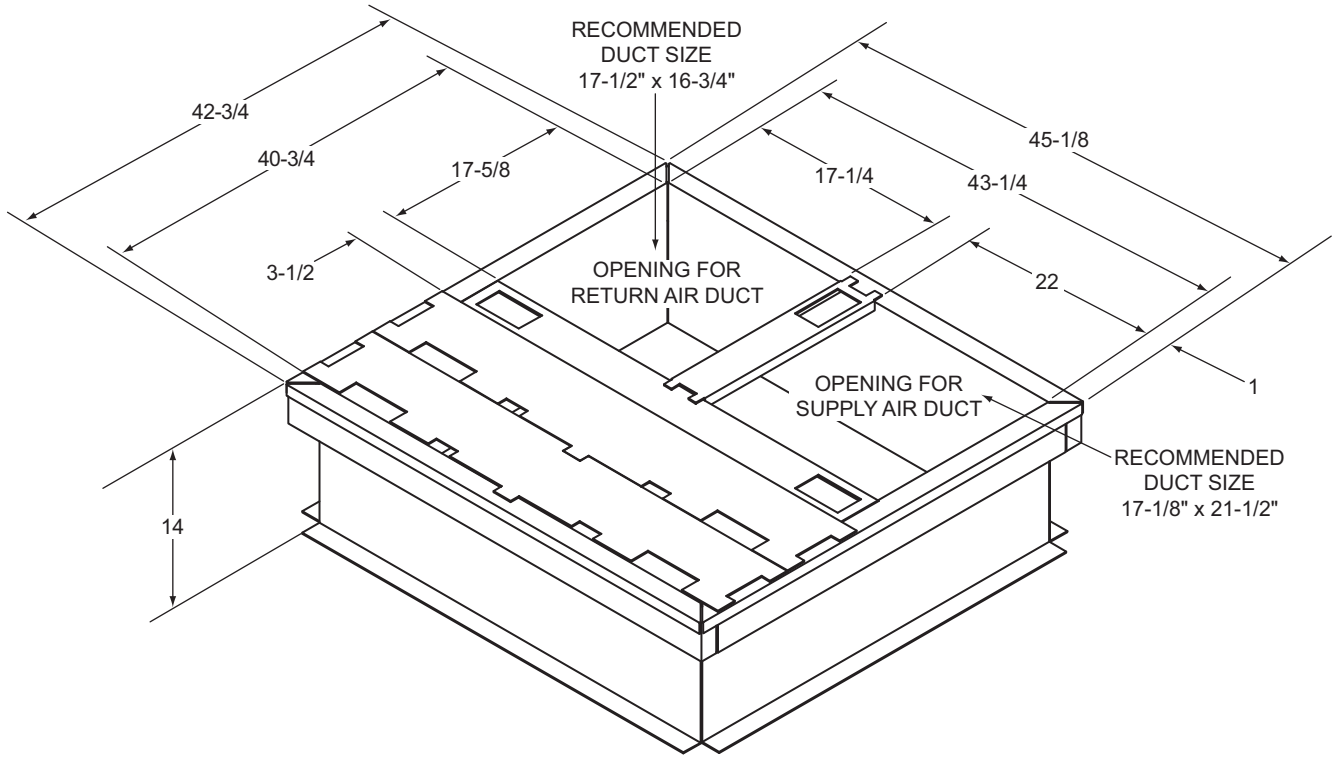


Unit Typical Roof Curb Installation (Gas Model Shown)



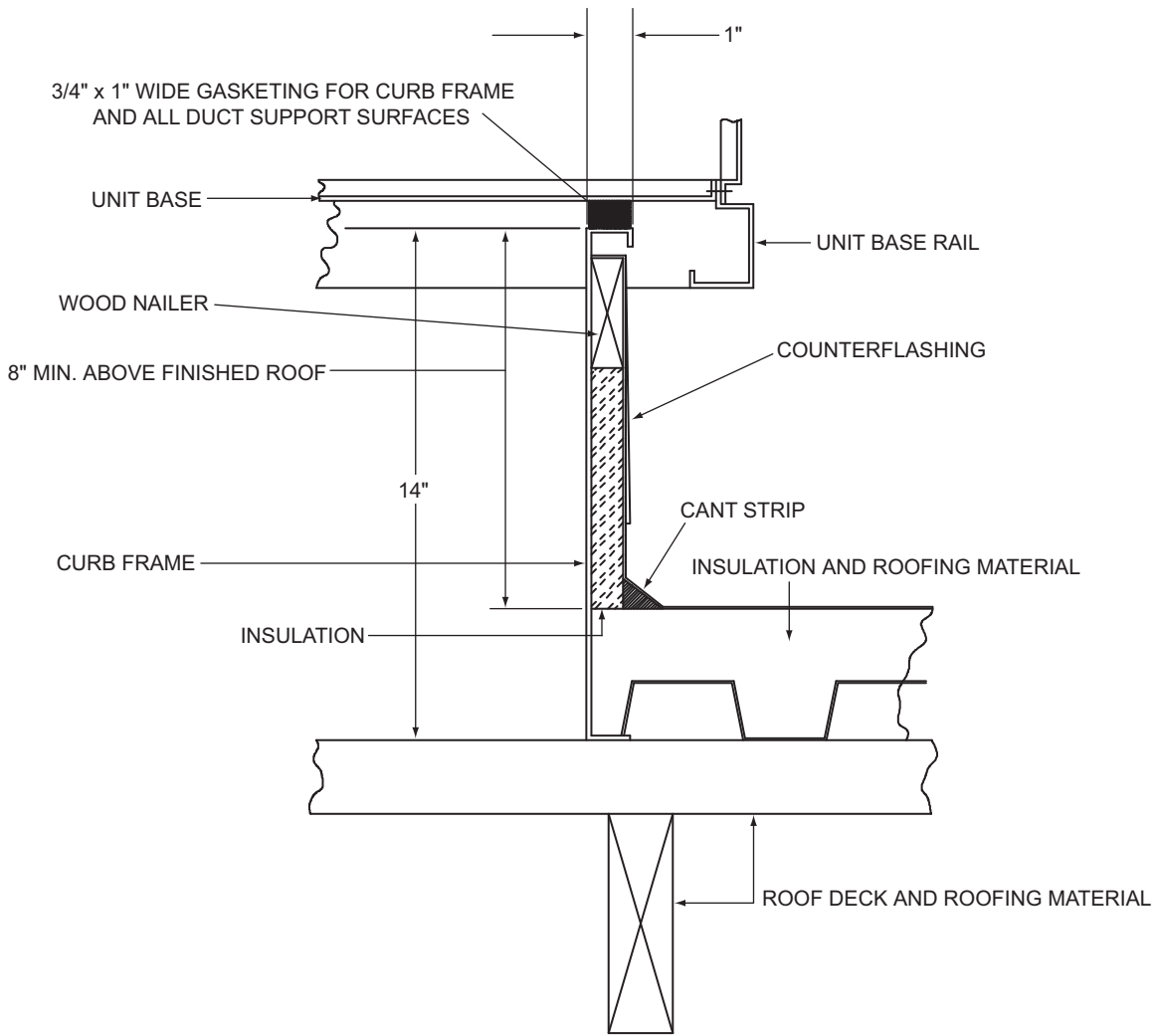
Unit Accessory Dimensions

Roof Curb¹



1. 8" Roof Curb also available.

Roof Curb Cross Section



Subject to change without notice. Printed in U.S.A.
Copyright © 2014 by Johnson Controls, Inc. All rights reserved.

718455-CTG-H-0414
Supersedes: 718455-CTG-G-0314

York International Corporation
5005 York Drive
Norman, OK 73069