



HEATING & AIR CONDITIONING

TECHNICAL GUIDE**R-410A****ECHELON™ SERIES****BHZ, BHQ & BHX MODELS****2 - 5 TON****60 Hertz****Description**

These Coleman's Echelon™ packaged heat pumps are designed for outdoor installation. Only utility and duct connections are required at the point of installation.

Field-installed electric heater accessories are available to provide electric heat, if required.



Tested in accordance with:



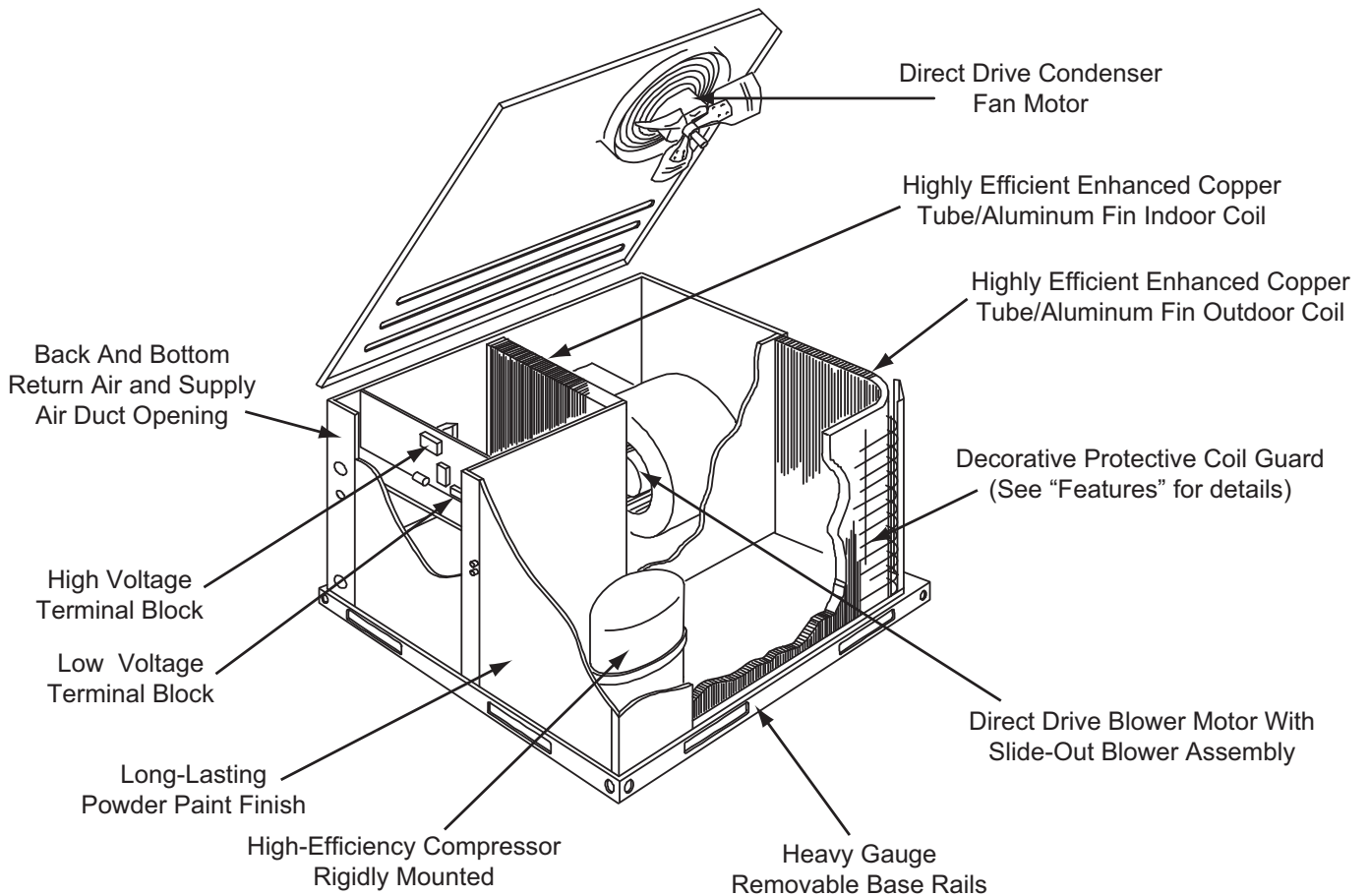
ISO 9001
Certified Quality
Management System

Table of Contents

Description	1
Table of Contents	2
Component Location	2
Nomenclature	3
Heat Pump	3
Features and Benefits	3
Guide Specifications	5
Physical Data	7
Capacity Performance	11
Airflow Performance	45
Sound Performance	58
Electrical Data	60
Weights and Dimensions	77

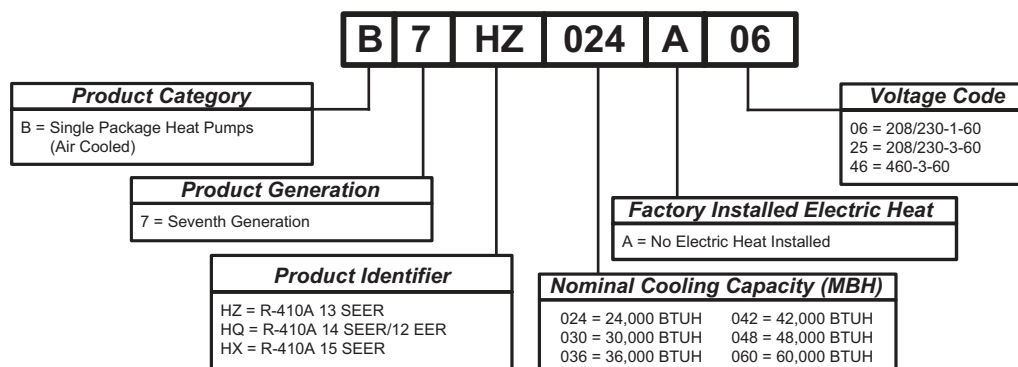
Component Location

Heat Pump



Nomenclature

Heat Pump



Features and Benefits

Standard Features

- **Operating Efficiency** - All BHZ Model heat pump units provide operating efficiencies of 13 SEER and 7.7 HSPF. All BHQ heat pump units provide operating efficiencies of 14 SEER and 8.0 HSPF. All BHX heat pump units provide operating efficiencies of 15 SEER and 8.0 HSPF. All efficiencies exceed legislated minimum levels.
- **On Site Flexibility** - All model sizes share a common, compact design cabinet in a single footprint. The installer has the flexibility of setting one curb and placing the proper tonnage unit on that curb after the internal load has been determined. Field convertible duct connections from side shot to down shot allows the installer to have greater flexibility with less inventory.
- **Lower Installation Cost** - Installation time and costs are reduced by easy power and control wiring connections. The small base dimension means less space is required on the ground or roof, plus, the installer can fit this unit between the wheel wells of full size pick-up truck.
- All units are completely wired, charged with R-410A and tested prior to shipment. Unique test stations using a new state of the art computerized process system are used to insure product quality. Refrigerant charge and component part numbers are verified via computers at assembly. Vital run test statistics such as system pressure, motor currents, air velocity and temperature, unit vibration, and gas system safeties are monitored and recorded by the system to insure unit performance.
- Equal size, side supply and return duct connections allows easy hook-up of ducts to match low crawl spaces without transition pieces.
- **Utility Connections Made Easy** - Electric utility knockouts are provided through the bottom as well as the

side of the unit. Utility connections can be made quickly and with a minimum amount of field labor. A field supplied and field installed electrical disconnect switch must be installed.

- **Convertible Airflow Design** - The bottom duct openings are covered when they leave the factory ready to be used for a side supply/side return application. If a bottom supply/bottom return application is desired, you simply remove the two panels from the bottom of the unit and place them in the side supply/side return duct openings. No panel cutting is required and no accessory panel is necessary. Convertible airflow design allows maximum field flexibility and minimum inventory.
- **Condensate Pan** - A non-corrosive, long-lasting, water-tight pan is positioned below the evaporator coil to collect and drain all condensate. Less collection of stagnate condensate will build-up. The condensate pan conforms to ASHRAE 62-89 standards (Ventilation for Acceptable Indoor Air Quality).
- **Condensate Drain** - The 3/4 inch NPTF connection is rigidly mounted to assure proper fit and leak tight seal.
- **Durable Finish** - The cabinet is made of pre-painted steel. The pre-treated galvanized steel provides a better paint to steel bond, which resists corrosion and rust creep. Special primer formulas and matted-textured finish insure less fading when exposed to sunlight.
- **Full Perimeter Base Rails** - The easily removable base rails provide a solid foundation for the entire unit and protects the unit during shipment. The rails provide fork lift access from all sides, and rigging holes are also provided so that an overhead crane can be used to place the units on a roof. On applications where the unit is placed on a pad, the base will keep the unit off the pad to deter corrosion. On applications where height is limited, the inch high base rails may be removed on location.

- **More Attractive Appearance** - A single piece Water Shed top cover containing a top discharge condenser fan arrangement requires less square footage on installation and provides a wider variety of installations. The one piece design adds greater water integrity. Rounded corners with water drip edges add to the attractive appearance. The cabinet panels have a non-fibrous insulation that will not release insulation fibers into conditioned area.
- **Top Discharge** - The top discharge condenser fan does not disrupt neighboring areas or dry-out vegetation surrounding the unit. The warm air from the top mounted fan is blown up away from the structure and any landscaping. This allows compact location on multi-unit applications.
- **Condenser Coil Grille** - All BHZ024 thru 060, BHQ060 and BHX048 thru 060 models utilize a decorative "Wire Form" coil guard to provide impact protection against large objects. The BHQ024 thru 048 and BHX024 thru 036 models utilize a stamped "Louvered" design which provides superior impact protection against smaller objects during transit and after installation.
- **Low Operating Sound Level** - The upward air flow carries the normal operating noise up and away from the living area. The rigid top panel effectively isolates any motor sound. Isolator mounted compressor and the rippled fins of the condenser coil muffle the normal fan motor and compressor operating sounds. The unique formed base pan also aids in sound alterations with it's Super-Structure design. This design strategically places embossments in the pan for optimum strength and rigidity.
- **Fan System** - All models operate over a wide range of design conditions with an electrically commutated fan motor. These units easily match all types of applications and provide greater on site flexibility to match comfort requirement. The cooling speed is factory set and can be field adjusted to a second speed. The heating speed is factory set to maintain mid point rise at the units heating input, but can be field adjusted. This allows maximum comfort conditions.
- **Simple Control Circuit** - A low voltage printed circuit board contains a diagnostic indicator light and a low voltage terminal strip. An additional set of pin connectors is also provided to simplify the field interface of external controls. Mate-n-lock plug connectors are used. The electrical control box is not located in the compressor compartment. The controls are mounted on a Control-Tilt control panel to allow the access cover to be removed for trouble shooting and maintenance without affecting the normal system operating pressures. All wiring internal to the unit is color/number coded.
- **Protected Compressor** - The compressor is internally protected against high pressure and temperature. This is accomplished by the simultaneous operation of high pressure relief valve and a temperature sensor which protect the compressor if undesirable operating conditions occur.
- **Pressure Switches** - High pressure and low pressure/loss of charge switches standard in all units. When abnormal conditions are sensed through the pressure switches, the unit will lock out preventing any further operation until reset or problem is corrected.
- **Exclusive Coil Design** - Grooved copper tubes and enhanced aluminum fin construction improves heat transfer for maximum efficiency and durability.
- **Low Maintenance** - Long life, permanently lubricated condenser and evaporator fan motor bearings need no annual maintenance adding greater reliability to the unit. Blower assembly can be easily cleaned by the unique Slip-Track slide-out blower assembly.
- **Secured Service Access Ports** - Protected, externally mounted, re-usable service access ports are provided on both the high and low lines for ease of evacuating and charging the system. No final field mounting required.
- **Easy Service Access** - A large, single panel covers the electrical and gas controls makes servicing easy. The blower compartment has an additional large panel with a built-in handle tab. Removing this panel will allow the blower assembly to slide-out for easy removal for maintenance and ease of trouble shooting.
- **Replacement Parts** - The installer requires no special training to replace any of the components of these units and does not need to maintain an inventory of unique parts.
- **System Integration** - Each unit has the internal ability to integrate an electronic air cleaner or humidifier to work in conjunction with the base unit.

Field Installed Accessories

- **Economizer Down Discharge/Supply Kit** - Modulating integrated economizer provides simultaneous operation between the mechanical cooling and economizer operation. Independent blade design insures proper control and less than 1% leak rate. Includes hood and mesh bird screen filter integrated into the hood, dry bulb sensor and relief damper. Separate field accessories of single enthalpy and dual enthalpy are also available. A built-in barometric relief of 25% is provided.
- **Single Enthalpy Sensor** - Sensor replaces dry bulb sensor standard in economizer kit. Provides improved economizer operation by sensing the dry bulb temperature from outdoors plus the enthalpy content of the outdoor air.
- **Dual Enthalpy Sensor** - Additional sensor to single enthalpy sensor. Sensor senses both the return air temperature dry bulb and humidity in conjunction with the single enthalpy to determine the most economical mix. Single Enthalpy sensor also required.
- **Hail Guard Kit** - Kit contains protective grilles made of expanded aluminum with full perimeter frame. Sloped hoods are also included to assure maximum protection.

- **Anti Short Cycle Timer (BHZ Units Only) -** Automatically prevents the compressor from restarting for 5 minutes after cycled off. Not required if Thermostat 2ET07700224 and 2ET04700224 are used. Standard in all BHZ units.
- **Filter/Frame Kit (Single Phase Only) -** Kit contains the necessary hardware to field install return air filters into the base unit. Pre-cut filter racks and appropriate cleanable standard size filters are shipped in one kit. The filter rack is suitable for either 1" or 2" filters. (1" filter is supplied) This kit is available for single phase horizontal or vertical duct application only. Standard in all 3 Phase models.
- **Motorized Fresh Air Damper -** Designed for duct mounted side supply/return and unit mounted down supply/return applications. Damper capable of providing 0% through 50% of outdoor air (field supplied). Closes on power loss, includes hood and screen assembly.
- **Rectangle To Round Adapters -** Kit includes one supply and one return air rectangle to round duct adapter. Adapters are preformed and designed to fit over current duct openings on the base unit. Transition is from side square duct opening to 14" round duct opening.
- **Roof Curbs -** NRCA approved curbs provide proper fit to base unit for rooftop installations. Curbs are designed to be assembled through hinge pins in each corner. Kit also provides seal strip to assure a water tight seal. 8 and 14 inch high roof curbs are available.
- **Manual Outdoor Damper -** Provides 0% through 50% outdoor air capability (field adjustable). Designed for duct mounted side supply/return applications. Includes hood and screen assembly.
- **Wall Thermostat -** The units are designed to operate with 24-volt electronic and electro-mechanical thermostats. All units can operate with single stage heat/single stage cool thermostats - with or without the economizer.
- **Low Ambient Kit -** Kit provides necessary hardware to convert unit to operate in cooling cycle down to 0° F. Standard unit operation 45° F.
- **Transformer Kit -** Kit provides necessary hardware to provide single phase models from factory furnished 40 VA transformer capability to 75 VA transformer capability. (Required on installations with economizer or motorized damper.)

Guide Specifications

General

Units shall be manufactured by Unitary Products in an ISO 9001 certified facility. Coleman's Echelon™ package units give you the flexibility and choices you need in today's market. These packaged heat pumps are designed for outdoor installation. Only utility and duct connections are required at the point of installation.

Description

Units shall be factory-assembled, single packaged, heat pump units, designed for outdoor mounted installation. For SEER ratings, refer to technical literature. They shall have built in, equal size, field convertible duct connections for down discharge supply/return or horizontal discharge supply/return. The units shall be factory wired, piped, charged with R-410A Refrigerant and factory tested prior to shipment. All unit wiring shall be both numbered and color coded. All units shall be manufactured in a facility certified to ISO 9001 standards, and the cooling performance shall be rated in accordance with DOE and AHRI test procedures. The heating performance shall be rated to DOE and GAMA test procedures. Units shall be CSA listed and classified to ANSI Z21.47/CAN/CSA 2.3 standards and UL 1995/CAN/CSA No. 236-M90 conditions.

Unit Cabinet

Unit cabinet shall be constructed of G-90, pre-paint textured steel, certified at 500 hours salt spray test per ASTM-B117 standards. The unit top shall be a single piece "Water Shed" design, with drip edges and no-seam corners to provide optimum water integrity. Unit shall have a rigidly mounted condenser coil guard to provide protection from objects and personnel after installation. Indoor blower section shall be insulated with up to 3/4" thick, aluminum, foil faced insulation, fastened to prevent insulation from entering the air stream. Cabinet panels shall be "large" size, easily removable for servicing and maintenance, with built-in lift handles. Unit shall be built on a formed, "Super-Structure" design base pan, with embossments at critical points to add strength, rigidity and aid in minimizing sound. Full perimeter base rails shall be provided to assure reliable transit of equipment, overhead rigging, for truck access and proper sealing on roof curb applications. Base rails shall be removable, when required, to lower unit height. Filters shall be furnished and be accessible through a removable access door, sealed airtight. Units vertical discharge and return duct configuration shall be designed to fit between standard 24" O.C. beams without modification to building structure, duct work and base unit. Condensate pan shall be internally sloped and conform to ASHRAE 62-89 self-draining standards, with 3/4" NPTI copper, ridged mount connection.

Indoor (Evaporator) Fan Assembly

Fan shall be direct drive design. Fan wheel shall be double-inlet type with forward-curved blades, dynamically balanced to operate smoothly throughout the entire range of operation. Airflow design shall be constant air volume. Bearings shall be sealed and permanently lubricated for longer life and no maintenance. Fan assembly shall be "Slip Track" (slide-out) design for easy removal and cleaning.

Outdoor (Condenser) Fan Assembly

The outdoor fan shall be of the direct-driven propeller type, discharge air vertically, have aluminum blades riveted to corrosion resistant steel spider bracket and shall be statically balanced for smooth operation. The outdoor fan motor shall be

totally enclosed with permanently lubricated bearings and internally protected against overload conditions.

Refrigerant Components

Compressors:

- a. Shall be fully hermetic type, direct drive, internally protected with internal high-pressure relief and over temperature protection. The hermetic motor shall be suction gas cooled and have a voltage range of +/- 10% of the unit nameplate voltage.
- b. Shall have internal isolation and sound muffling to minimize vibration and noise, and be externally isolated on a dedicated, independent mounting.

Coils:

- a. Evaporator and condenser coils shall have aluminum plate fins mechanically bonded to seamless internally enhanced copper tubes with all joints brazed.

- b. Evaporator coil shall be of the direct expansion, draw through design, while condenser coil shall be draw through design.

Refrigerant Circuit and Refrigerant Safety Components shall include:

- a. Independent fixed orifice expansion devices.
- b. Filter/strainer to eliminate any foreign matter.

Electric Heating Section (Field Install Accessory)

An electric heating section, with nickel chromium elements, shall be provided in a range of 5 thru 25 KW. The heating section shall have a primary limit control(s) (automatic reset) to prevent the heating element system from operating at an excessive temperature. The Heating Section assembly shall slide out of the unit for easy maintenance and service. Units with Electric Heating Sections shall be wired for a single point power supply with branch circuit fusing (where required).

Physical Data

BHZ Physical Data

Component	Models					
	BHZ024	BHZ030	BHZ036	BHZ042	BHZ048	BHZ060
Nominal Tonnage	2.0	2.5	3.0	3.5	4.0	5.0
AHRI COOLING PERFORMANCE						
Gross Capacity @ AHRI A point (MBH)	22.9	29.7	36.0	41.3	50.1	56.6
AHRI net capacity (MBH)	22.8	29.2	33.6	40.5	46.0	55.5
EER	11.4	11.25	11.0	11.25	11.00	11.00
SEER	13	13	13	13	13	13
Nominal CFM	800	950	1100	1400	1500	1600
System power (KW)	2.0	2.6	3.1	3.6	4.18	5.0
Refrigerant type	R410A	R410A	R410A	R410A	R410A	R410A
Refrigerant charge (lb-oz)	6-0	7-4	9-6	12-0	11-0	11-14
AHRI HEATING PERFORMANCE						
47°F Capacity Rating (MBH)	22.2	27.8	32.8	40.0	42.0	54.0
System Power (Kw/COP)	3.4	3.3	3.0	3.0	4.1/3.0	4.7/3.3
17°F Capacity Rating (MBH)	11.5	14.6	19.2	23.2	20.8	32.6
System Power (Kw/COP)	2.0	2.0	2.3	2.3	2.8/2.2	4.5/2.10
HSPF (BTU/Watts-hr.)	7.7	7.7	7.7	7.7	7.7	7.7
DIMENSIONS (inches)						
Length	49 1/8	49 1/8	49 1/8	49 1/8	49 1/8	49 1/8
Width	47 1/4	47 1/4	47 1/4	47 1/4	47 1/4	47 1/4
Height	33 1/2	33 1/2	33 1/2	41 1/2	41 1/2	41 1/2
OPERATING WT. (lbs.)						
Unit Weight (lbs.)	350	350	385	435	480	490
COMPRESSOR						
Type	Scroll 1-spd	Scroll 1-spd	Scroll 1-spd	Scroll 1-spd	Scroll 1-spd	Scroll 1-spd
CONDENSER COIL DATA						
Face area (Sq. Ft.)	11.7	11.7	11.7	16.4	16.4	16.4
Rows	1	1	2	2	2	2
Fins per inch	20	20	20	20	20	20
Tube diameter (in.)	3/8	3/8	3/8	3/8	3/8	3/8
Circuitry Type	Interlaced	Interlaced	Interlaced	Interlaced	Interlaced	Interlaced
Refrigerant control	Orifice	Orifice	Orifice	Orifice	Orifice	TXV
EVAPORATOR COIL DATA						
Face area (Sq. Ft.)	4.38	4.38	4.38	5.63	5.63	5.63
Rows	2	3	3	3	3	4
Fins per inch	15	13	15	15	16	13
Tube diameter	3/8	3/8	3/8	3/8	3/8	3/8
Circuitry Type	Interlaced	Interlaced	Interlaced	Interlaced	Interlaced	Interlaced
Refrigerant control	Orifice	Orifice	Orifice	Orifice	Orifice	TXV
CONDENSER FAN DATA						
Fan diameter (Inch)	22	22	22	22	22	22
Type	Prop	Prop	Prop	Prop	Prop	Prop
Drive type	Direct	Direct	Direct	Direct	Direct	Direct
No. speeds	1	1	1	1	1	1
Motor HP each	1/4	1/4	1/4	1/4	1/4	1/2
RPM	850	850	850	850	850	1100
Nominal total CFM	1800	1800	2400	2400	3000	3000
DIRECT DRIVE EVAP FAN DATA						
Fan Size (Inch)	10 x 8	10 x 8	11 x 10	11 x 10	11 x 10	11 x 10
Type	Centrifugal	Centrifugal	Centrifugal	Centrifugal	Centrifugal	Centrifugal
No. speeds	5	5	5	5	5	5
Motor HP each	1/2	1/2	3/4	3/4	3/4	1
RPM	Variable	Variable	Variable	Variable	Variable	Variable
Frame size	48	48	48	48	48	48
FILTERS						
Quantity - Size	2 - 22 x 14 x 1	2 - 22 x 14 x 1	2 - 22 x 14 x 1	2 - 22 x 14 x 1	2 - 22 x 14 x 1	2 - 22 x 14 x 1

BHQ Physical Data

Component	Models					
	BHQ024	BHQ030	BHQ036	BHQ042	BHQ048	BHQ060
Nominal Tonnage	2.0	2.5	3.0	3.5	4.0	5.0
AHRI COOLING PERFORMANCE						
Gross Capacity @ AHRI A point (MBH)	23.3	29.4	35.9	40.1	47.4	54.5*
AHRI net capacity (MBH)	23	28.6	35.2	39.0	46.5	54.0*
EER	12.0	12.0	12.0	12.0	12.0	12.0*
SEER	14.0	14.0	14.0	14	14.0	14.0*
Nominal CFM	800	1050	1100	1400	1400	1500
System power (KW)	1.9	2.4	2.9	3.3	3.9	4.5
Refrigerant type	R410A	R410A	R410A	R410A	R410A	R410A
Refrigerant charge (lb-oz)	7-12	9-12	9-10	12-12	11-12	13-12
AHRI HEATING PERFORMANCE						
47°F Capacity Rating (MBH)	20	27.3	33.0	37.5	46.0	53.0
System Power (Kw/COP)	3.3	3.3	3.3	3.3/3.3	3.3	3.3
17°F Capacity Rating (MBH)	11.1	15.5	18.2	19.5	21.8	29.8
System Power (Kw/COP)	2.1	2.2	2.2	2.4/2.32	2.1	2.2
HSPF (BTU/Watts-hr.)	8.0	8.0	8.0	8.0	8.0	8.0
DIMENSIONS (inches)						
Length	49 1/8	49 1/8	49 1/8	49 1/8	49 1/8	49 1/8
Width	47 1/4	47 1/4	47 1/4	47 1/4	47 1/4	47 1/4
Height	33 1/2	33 1/2	33 1/2	41 1/2	41 1/2	41 1/2
OPERATING WT. (lbs.)						
Unit Weight (lbs.)	355	375	400	420	440	490
COMPRESSOR						
Type	Scroll 1-spd	Scroll 1-spd	Scroll 1-spd	Scroll 1-spd	Scroll 1-spd	Scroll 1-spd
CONDENSER COIL DATA						
Face area (Sq. Ft.)	12.9	12.9	12.9	16.4	16.4	16.4
Rows	1	2	2	2	2	3
Fins per inch	20	20	20	20	20	13
Tube diameter (in.)	3/8	3/8	3/8	3/8	3/8	3/8
Refrigerant control	TXV	TXV	TXV	TXV	TXV	TXV
EVAPORATOR COIL DATA						
Face area (Sq. Ft.)	4.38	4.38	4.38	5.63	5.63	5.63
Rows	3	3	3	3	3	3
Fins per inch	15	15	15	16	16	13
Tube diameter	3/8	3/8	3/8	3/8	3/8	3/8
Refrigerant control	TXV	TXV	TXV	TXV	TXV	TXV
CONDENSER FAN DATA						
Fan diameter (Inch)	22	22	22	22	22	22
Type	Prop	Prop	Prop	Prop	Prop	Prop
Drive type	Direct	Direct	Direct	Direct	Direct	Direct
Motor HP	1/3	1/3	1/3	1/3	1/3	1/2
No. speeds	1	1	1	1	1	1
RPM	1100	1100	1100	1100	1100	1100
Nominal total CFM	2000	2400	2400	3200	3200	3400
DIRECT DRIVE EVAP FAN DATA						
Fan Size (Inch)	10 x 8	10 x 8	11 x 10	11 x 10	11 x 10	11 x 10
Type	Centrifugal	Centrifugal	Centrifugal	Centrifugal	Centrifugal	Centrifugal
No. speeds	1	1	1	1	1	1
Motor HP	1/2	1/2	3/4	3/4	3/4	1
RPM	Variable	Variable	Variable	Variable	Variable	Variable
Frame size	48	48	48	48	48	48
FILTERS						
Quantity - Size	2 - 22 x 14 x 1	2 - 22 x 14 x 1	2 - 22 x 14 x 1	2 - 22 x 14 x 1	2 - 22 x 14 x 1	2 - 22 x 14 x 1

BHX Physical Data

Component	Models			
	BHX024	BHX036	BHX048	BHX060
Nominal Tonnage	2.0	3.0	4.0	5.0
AHRI COOLING PERFORMANCE				
Gross Capacity @ AHRI A point (MBH)	24.9	35.3	49.2	58.8
AHRI net capacity (MBH)	24.4	34.4	47.0	57.0
EER	12.0	11.5	11.3	11.0
SEER	16	15	15	14.25
Nominal CFM	800	1200	1600	1700
System power (KW)	2.0	3.0	4.2	5.2
Refrigerant type	R410A	R410A	R410A	R410A
Refrigerant charge (lb-oz)	7-10	10-4	12-4	12-0
AHRI HEATING PERFORMANCE				
47°F Capacity Rating (MBH)	19.8	33.0	45.0	55.0
System Power (Kw/COP)	3.5	3.1	3.0	3.1
17°F Capacity Rating (MBH)	11.1	18.9	27.2	32.4
System Power (Kw/COP)	2.1	2.0	2.1	2.1
HSPF (BTU/Watts-hr.)	8.0	8.0	8.0	8.0
DIMENSIONS (inches)				
Length	49 1/8	49 1/8	49 1/8	49 1/8
Width	47 1/4	47 1/4	47 1/4	47 1/4
Height	33 1/2	33 1/2	41 1/2	41 1/2
OPERATING WT. (lbs.)				
Unit Weight (lbs.)	350	400	440	460
COMPRESSOR				
Type	Scroll 2-spd	Scroll 2-spd	Scroll 2-spd	Scroll 2-spd
CONDENSER COIL DATA				
Face area (Sq. Ft.)	11.7	11.7	16.4	16.4
Rows	1	2	2	2
Fins per inch	20	20	20	20
Tube diameter (in.)	3/8	3/8	3/8	3/8
Circuitry Type	Interlaced	Interlaced	Interlaced	Interlaced
Refrigerant control	Orifice	TXV	TXV	TXV
EVAPORATOR COIL DATA				
Face area (Sq. Ft.)	4.38	4.38	5.63	5.63
Rows	3	3	3	3
Fins per inch	15	15	16	16
Tube diameter	3/8	3/8	3/8	3/8
Circuitry Type	Interlaced	Interlaced	Interlaced	Interlaced
Refrigerant control	TXV	TXV	TXV	TXV
CONDENSER FAN DATA				
Fan diameter (Inch)	22	22	22	22
Type	Axial	Axial	Axial	Axial
Drive type	Direct	Direct	Direct	Direct
No. speeds	2	1	2	2
Motor HP	1/3	1/4	1/3	1/3
RPM	850/1100	1100	900/1100	950/1100
Nominal total CFM	2400	2400	3000	3000
DIRECT DRIVE EVAP FAN DATA				
Fan Size (Inch)	10 x 8	11 x 10	11 x 10	11 x 10
Type	Centrifugal	Centrifugal	Centrifugal	Centrifugal
No. speeds	1	1	1	1
Motor HP	1/2	3/4	3/4	1
RPM	Variable	Variable	Variable	Variable
Frame size	48	48	48	48
FILTERS				
Quantity - Size	2 - 22 x 14 x 1	2 - 22 x 14 x 1	2 - 22 x 14 x 1	2 - 22 x 14 x 1

BHZ Unit Limitations

Model (Tons)	Unit Voltage	Unit Limitations		
		Applied Voltage		Outdoor DB Temp Max (°F)
		Min	Max	
BHZ024 (2.0)	208/230-1-60	187	252	125
BHZ030 (2.5)	208/230-1-60	187	252	125
	208/230-3-60	187	252	125
	460-3-60	432	504	125
BHZ036 (3.0)	208/230-1-60	187	252	125
	208/230-3-60	187	252	125
	460-3-60	432	504	125
BHZ042 (3.5)	208/230-1-60	187	252	125
	208/230-3-60	187	252	125
	460-3-60	432	504	125
BHZ048 (4.0)	208/230-1-60	187	252	125
	208/230-3-60	187	252	125
	460-3-60	432	504	125
BHZ060 (5.0)	208/230-1-60	187	252	125
	208/230-3-60	187	252	125
	460-3-60	432	504	125

BHQ Unit Limitations

Model (Tons)	Unit Voltage	Unit Limitations		
		Applied Voltage		Outdoor DB Temp Max (°F)
		Min	Max	
BHQ024 (2.0)	208/230-1-60	187	252	115
BHQ030 (2.5)	208/230-1-60	187	252	125
	208/230-3-60	187	252	125
	460-3-60	432	504	125
BHQ036 (3.0)	208/230-1-60	187	252	115
	208/230-3-60	187	252	115
	460-3-60	432	504	115
BHQ042 (3.5)	208/230-1-60	187	252	125
BHQ048 (4.0)	208/230-1-60	187	252	115
	208/230-3-60	187	252	115
	460-3-60	432	504	115
BHQ060 (5.0)	208/230-1-60	187	252	115
	208/230-3-60	187	252	115
	460-3-60	432	504	115

BHX Unit Limitations

Model (Tons)	Unit Voltage	Unit Limitations		
		Applied Voltage		Outdoor DB Temp Max (°F)
		Min	Max	
BHX024 (2.0)	208/230-1-60	187	252	115
BHX036 (3.0)	208/230-1-60	187	252	115
	208/230-3-60	187	252	115
	460-3-60	432	504	115
BHX048 (4.0)	208/230-1-60	187	252	115
	208/230-3-60	187	252	115
	460-3-60	432	504	115
BHX060 (5.0)	208/230-1-60	187	252	115
	208/230-3-60	187	252	115
	460-3-60	432	504	115

Capacity Performance

BHZ024-060 Cooling Capacities

BHZ024 (2.0 Ton)

Air on Evaporator Coil		Temperature of Air on Condenser Coil															
CFM	WB (°F)	Net Capacity ¹ (MBh)	Total Input (kW) ²	Sensible Capacity (MBh)						Net Capacity ¹ (MBh)	Total Input (kW) ²	Sensible Capacity (MBh)					
				Return Dry Bulb (°F)								Return Dry Bulb (°F)					
				90	85	80	75	70	65			90	85	80	75	70	65
				75°F						85°F							
600	77	30.6	1.5	17.9	15.0	12.2	-	-	-	26.8	1.7	14.7	11.8	9.0	-	-	-
	72	28.4	1.5	19.8	16.9	14.1	11.2	-	-	25.5	1.7	18.2	15.3	12.5	9.6	-	-
	67	26.2	1.5	21.7	18.9	16.0	13.2	10.3	-	24.1	1.7	21.6	18.8	15.9	13.1	10.2	-
	62	24.3	1.5	24.3	24.0	20.1	17.3	14.4	11.6	22.4	1.6	22.4	22.2	19.4	16.5	13.7	10.8
	57	23.4	1.5	23.4	23.4	22.4	19.6	16.7	13.9	22.1	1.6	22.1	22.1	20.6	17.8	14.9	12.1
700	77	30.6	1.6	19.5	16.3	12.9	-	-	-	27.0	1.7	16.8	12.9	9.5	-	-	-
	72	28.4	1.6	21.7	18.4	15.0	11.6	-	-	25.6	1.7	19.9	16.5	13.2	9.8	-	-
	67	26.1	1.5	23.9	20.5	17.1	13.7	10.4	-	24.3	1.7	23.1	20.2	16.8	13.5	10.1	-
	62	24.3	1.5	24.3	24.1	21.4	18.1	14.7	11.3	22.5	1.7	22.5	22.5	20.5	17.1	13.7	10.3
	57	23.4	1.6	23.4	23.4	23.9	20.5	17.1	13.7	22.3	1.7	22.3	22.3	21.8	18.4	15.0	11.7
800	77	30.6	1.6	21.2	17.5	13.6	-	-	-	27.2	1.8	18.8	13.9	10.0	-	-	-
	72	28.4	1.6	23.7	19.8	15.9	12.0	-	-	25.8	1.8	21.6	17.7	13.9	10.0	-	-
	67	26.1	1.6	26.1	22.0	18.1	14.3	10.4	-	24.5	1.8	24.5	21.6	17.7	13.8	9.9	-
	62	24.2	1.6	24.2	24.2	22.7	18.8	15.0	11.1	22.7	1.8	22.7	22.7	21.5	17.6	13.8	9.9
	57	23.4	1.6	23.4	23.4	25.3	21.4	17.5	13.6	22.4	1.8	22.4	22.4	22.9	19.0	15.1	11.2
900	72	28.3	1.6	25.1	20.7	16.3	11.9	-	-	26.0	1.9	23.2	18.7	14.3	9.9	-	-
	67	26.1	1.6	26.1	23.1	18.6	14.1	9.7	-	24.6	1.9	24.6	22.7	18.3	13.9	9.4	-
	62	24.2	1.6	24.2	24.2	23.4	19.0	14.5	10.1	22.9	1.8	22.9	22.9	22.2	17.8	13.4	9.0
	57	23.3	1.7	23.3	23.3	24.3	19.9	15.4	11.0	22.6	1.8	22.6	22.6	22.8	18.4	14.0	9.5
	1000	72	28.3	1.7	26.6	21.6	16.7	11.7	-	-	26.2	1.9	24.7	19.7	14.8	9.8	-
67		26.1	1.7	26.1	24.1	19.0	14.0	9.0	-	24.8	1.9	24.8	23.8	18.9	13.9	8.9	-
62		24.2	1.7	24.2	24.2	24.0	19.1	14.1	9.1	23.0	1.9	23.0	23.0	22.9	18.0	13.0	8.0
57		23.3	1.7	23.3	23.3	23.3	18.3	13.4	8.4	22.7	1.9	22.7	22.7	22.7	17.8	12.8	7.8
				95°F						105°F							
600	77	23.0	1.8	11.5	8.7	5.8	-	-	-	22.8	2.1	11.8	9.0	6.1	-	-	-
	72	22.5	1.8	16.5	13.7	10.8	8.0	-	-	21.6	2.1	16.3	13.4	10.6	7.7	-	-
	67	22.1	1.8	21.6	18.7	15.9	13.0	10.2	-	20.4	2.1	20.1	17.9	15.0	12.2	9.3	-
	62	20.5	1.8	20.5	20.5	18.7	15.8	12.9	10.1	19.0	2.0	19.0	19.0	17.3	14.5	11.6	8.8
	57	20.8	1.8	20.8	20.8	18.8	16.0	13.1	10.3	19.4	2.0	19.4	19.4	17.2	14.3	11.5	8.6
700	77	23.3	1.9	14.0	9.5	6.1	-	-	-	23.0	2.2	14.9	10.0	6.4	-	-	-
	72	22.9	1.9	18.1	14.7	11.3	8.0	-	-	21.8	2.2	17.8	14.4	11.1	7.7	-	-
	67	22.4	1.9	22.2	19.9	16.6	13.2	9.8	-	20.5	2.1	20.4	18.9	15.7	12.4	9.0	-
	62	20.8	1.9	20.8	20.8	19.5	16.1	12.8	9.4	19.1	2.1	19.1	19.1	18.2	14.8	11.4	8.1
	57	21.1	1.8	21.1	21.1	19.7	16.3	12.9	9.6	19.6	2.1	19.6	19.6	18.0	14.6	11.3	7.9
800	77	23.7	2.0	16.4	10.2	6.4	-	-	-	23.2	2.3	18.0	11.0	6.7	-	-	-
	72	23.3	2.0	19.6	15.7	11.8	7.9	-	-	21.9	2.3	19.3	15.5	11.6	7.7	-	-
	67	22.8	2.0	22.8	21.2	17.3	13.4	9.5	-	20.7	2.2	20.7	19.9	16.4	12.6	8.7	-
	62	21.1	2.0	21.1	21.1	20.3	16.4	12.6	8.7	19.3	2.2	19.3	19.3	19.0	15.1	11.2	7.3
	57	21.5	1.9	21.5	21.5	20.5	16.6	12.7	8.8	19.7	2.2	19.7	19.7	18.8	15.0	11.1	7.2
900	72	23.6	2.1	21.2	16.8	12.3	7.9	-	-	22.2	2.3	20.6	16.5	12.0	7.6	-	-
	67	23.2	2.1	23.2	22.4	18.0	13.6	9.2	-	21.0	2.3	21.0	20.5	17.1	12.7	8.3	-
	62	21.5	2.1	21.5	21.5	21.1	16.6	12.2	7.8	19.5	2.3	19.5	19.5	19.4	14.9	10.5	6.1
	57	21.8	2.0	21.8	21.8	21.3	16.9	12.5	8.0	20.0	2.3	20.0	20.0	19.5	15.1	10.7	6.2
	1000	72	24.0	2.2	22.8	17.8	12.8	7.9	-	-	22.4	2.4	21.8	17.5	12.5	7.5	-
67		23.5	2.1	23.5	23.5	18.8	13.8	8.8	-	21.2	2.4	21.2	21.2	17.8	12.8	7.8	-
62		21.8	2.1	21.8	21.8	21.8	16.9	11.9	6.9	19.7	2.4	19.7	19.7	19.7	14.8	9.8	4.8
57		22.2	2.1	22.2	22.2	22.2	17.2	12.2	7.2	20.2	2.4	20.2	20.2	20.2	15.2	10.3	5.3

BHZ024 (2.0 Ton) (Continued)

Air on Evaporator Coil		Temperature of Air on Condenser Coil															
CFM	WB (°F)	Net Capacity ¹ (MBh)	Total Input (kW) ²	Sensible Capacity (MBh)						Net Capacity ¹ (MBh)	Total Input (kW) ²	Sensible Capacity (MBh)					
				Return Dry Bulb (°F)								Return Dry Bulb (°F)					
				90	85	80	75	70	65			90	85	80	75	70	65
				115°F						125°F							
600	77	22.6	2.3	12.1	9.2	6.4	-	-	-	22.5	2.6	12.4	9.5	6.7	-	-	-
	72	20.6	2.3	16.0	13.1	10.3	7.4	-	-	19.7	2.5	15.7	12.8	10.0	7.1	-	-
	67	18.6	2.3	18.6	17.0	14.1	11.3	8.4	-	16.9	2.5	16.9	16.1	13.3	10.4	7.6	-
	62	17.5	2.3	17.5	17.5	16.0	13.2	10.3	7.5	15.9	2.5	15.9	15.9	14.7	11.8	9.0	6.1
	57	18.0	2.3	18.0	18.0	15.6	12.7	9.9	7.0	16.7	2.5	16.7	16.7	13.9	11.1	8.2	5.4
700	77	22.6	2.4	15.8	10.5	6.7	-	-	-	22.3	2.7	16.8	11.1	7.0	-	-	-
	72	20.6	2.4	17.5	14.2	10.8	7.4	-	-	19.5	2.7	17.3	13.9	10.5	7.2	-	-
	67	18.6	2.4	18.6	17.8	14.9	11.5	8.1	-	16.7	2.6	16.7	16.7	14.0	10.7	7.3	-
	62	17.4	2.4	17.4	17.4	16.8	13.5	10.1	6.7	15.8	2.6	15.8	15.8	15.5	12.1	8.8	5.4
	57	18.0	2.4	18.0	18.0	16.4	13.0	9.6	6.3	16.5	2.6	16.5	16.5	14.7	11.4	8.0	4.6
800	77	22.6	2.5	19.6	11.8	7.0	-	-	-	22.0	2.8	21.2	12.6	7.4	-	-	-
	72	20.6	2.5	19.1	15.2	11.3	7.4	-	-	19.3	2.8	18.9	15.0	11.1	7.2	-	-
	67	18.6	2.5	18.6	18.6	15.6	11.7	7.8	-	16.5	2.7	16.5	16.5	14.8	10.9	7.0	-
	62	17.4	2.5	17.4	17.4	17.7	13.8	9.9	6.0	15.6	2.7	15.6	15.6	15.6	12.4	8.6	4.7
	57	18.0	2.5	18.0	18.0	17.2	13.3	9.4	5.5	16.3	2.8	16.3	16.3	15.5	11.6	7.7	3.8
900	72	20.7	2.6	20.0	16.2	11.8	7.3	-	-	19.3	2.9	19.3	15.9	11.5	7.0	-	-
	67	18.7	2.6	18.7	18.7	16.2	11.8	7.3	-	16.5	2.8	16.5	16.5	15.3	10.8	6.4	-
	62	17.5	2.6	17.5	17.5	17.7	13.2	8.8	4.4	15.6	2.8	15.6	15.6	15.6	11.5	7.1	2.7
	57	18.1	2.6	18.1	18.1	17.7	13.3	8.9	4.4	16.3	2.8	16.3	16.3	15.9	11.5	7.0	2.6
1000	72	20.9	2.7	20.9	17.1	12.2	7.2	-	-	19.3	2.9	19.3	16.8	11.8	6.9	-	-
	67	18.9	2.7	18.9	18.9	16.8	11.8	6.8	-	16.5	2.9	16.5	16.5	15.8	10.8	5.8	-
	62	17.7	2.6	17.7	17.7	17.7	12.7	7.7	2.8	15.6	2.9	15.6	15.6	15.6	10.6	5.6	0.7
	57	18.2	2.6	18.2	18.2	18.2	13.3	8.3	3.3	16.3	2.9	16.3	16.3	16.3	11.3	6.4	1.4

1. These capacities are Net Capacities.
2. These ratings include the compressor, condenser fan and supply air blower motors.

BHZ030 (2.5 Ton)

Air on Evaporator Coil		Temperature of Air on Condenser Coil															
CFM	WB (°F)	Net Capacity ¹ (MBh)	Total Input (kW) ²	Sensible Capacity (MBh)						Net Capacity ¹ (MBh)	Total Input (kW) ²	Sensible Capacity (MBh)					
				Return Dry Bulb (°F)								Return Dry Bulb (°F)					
				90	85	80	75	70	65			90	85	80	75	70	65
				75°F						85°F							
750	77	36.3	2.1	19.3	15.7	12.2	-	-	-	36.0	2.3	17.9	14.3	10.7	-	-	-
	72	34.1	2.0	22.6	19.1	15.5	11.9	-	-	33.3	2.3	21.8	18.2	14.6	11.1	-	-
	67	31.8	1.9	26.0	22.4	18.9	15.3	11.7	-	30.6	2.2	25.6	22.1	18.5	15.0	11.4	-
	62	30.1	1.8	30.1	28.1	24.6	21.0	17.4	13.9	27.8	2.2	27.8	26.4	22.8	19.3	15.7	12.1
	57	28.2	1.8	28.2	27.9	24.3	20.8	17.2	13.6	27.3	2.2	27.3	26.7	23.1	19.6	16.0	12.4
875	77	37.6	2.3	21.4	17.7	13.5	-	-	-	36.6	2.4	20.5	16.0	11.8	-	-	-
	72	35.2	2.2	25.7	21.5	17.2	13.0	-	-	33.8	2.4	24.5	20.3	16.1	11.9	-	-
	67	32.8	2.1	29.9	25.2	21.0	16.8	12.6	-	31.1	2.4	28.6	24.6	20.4	16.2	12.0	-
	62	31.0	1.9	31.0	30.0	27.3	23.1	18.9	14.7	28.2	2.3	28.2	27.5	25.2	21.0	16.7	12.5
	57	29.2	2.0	29.2	29.0	27.1	22.8	18.6	14.4	27.7	2.3	27.7	27.4	25.5	21.3	17.1	12.9
1000	77	38.8	2.5	23.5	19.7	14.8	-	-	-	37.1	2.6	23.1	17.8	12.9	-	-	-
	72	36.3	2.4	28.7	23.8	19.0	14.1	-	-	34.3	2.5	27.3	22.5	17.6	12.8	-	-
	67	33.9	2.3	33.9	28.0	23.1	18.2	13.4	-	31.5	2.5	31.5	27.2	22.3	17.5	12.6	-
	62	32.0	2.1	32.0	32.0	30.0	25.2	20.3	15.4	28.6	2.4	28.6	28.6	27.5	22.6	17.8	12.9
	57	30.1	2.2	30.1	30.1	29.8	24.9	20.1	15.2	28.2	2.4	28.2	28.2	27.9	23.0	18.1	13.3
1125	72	36.7	2.5	31.3	25.8	20.3	14.7	-	-	34.3	2.6	29.9	24.4	18.9	13.3	-	-
	67	34.2	2.4	34.2	31.3	24.7	19.1	13.6	-	31.5	2.6	31.5	29.3	23.9	18.4	12.8	-
	62	32.3	2.2	32.3	32.3	31.3	25.8	20.2	14.7	28.6	2.5	28.6	28.6	28.0	22.5	17.0	11.4
	57	30.4	2.3	30.4	30.4	30.3	24.7	19.2	13.7	28.1	2.5	28.1	28.1	28.0	22.4	16.9	11.4
	72	37.1	2.6	34.0	27.8	21.5	15.3	-	-	34.3	2.8	32.5	26.3	20.1	13.9	-	-
1250	67	34.6	2.6	34.6	34.6	26.2	20.0	13.8	-	31.5	2.7	31.5	31.5	25.5	19.3	13.1	-
	62	32.6	2.3	32.6	32.6	32.6	26.4	20.2	13.9	28.6	2.6	28.6	28.6	28.6	22.4	16.1	9.9
	57	30.7	2.4	30.7	30.7	30.7	24.5	18.3	12.1	28.1	2.6	28.1	28.1	28.1	21.9	15.7	9.5
					95°F						105°F						
	750	77	35.7	2.6	16.4	12.9	9.3	-	-	-	32.5	2.8	15.1	11.5	8.0	-	-
72		32.6	2.6	20.9	17.3	13.7	10.2	-	-	29.5	2.8	19.7	16.2	12.6	9.1	-	-
67		29.4	2.5	25.3	21.7	18.2	14.6	11.1	-	26.5	2.9	24.4	20.8	17.3	13.7	10.1	-
62		25.5	2.6	25.5	24.7	21.1	17.5	14.0	10.4	23.8	2.9	23.8	23.2	19.6	16.1	12.5	8.9
57		26.4	2.6	26.4	25.5	21.9	18.4	14.8	11.2	23.3	2.9	23.3	22.8	19.3	15.7	12.1	8.6
875	77	35.6	2.6	19.6	14.4	10.1	-	-	-	32.4	2.9	19.1	13.2	8.8	-	-	-
	72	32.4	2.6	23.4	19.2	15.0	10.8	-	-	29.5	2.9	22.3	18.1	13.9	9.6	-	-
	67	29.3	2.6	27.3	24.1	19.9	15.6	11.4	-	26.5	2.9	25.4	22.9	19.0	14.8	10.5	-
	62	25.4	2.6	25.4	25.0	23.0	18.8	14.6	10.4	23.8	2.9	23.8	23.5	21.6	17.3	13.1	8.9
	57	26.3	2.6	26.3	25.8	23.9	19.7	15.5	11.3	23.3	2.9	23.3	23.0	21.2	16.9	12.7	8.5
1000	77	35.4	2.6	22.8	15.9	11.0	-	-	-	32.4	2.9	23.2	14.9	9.5	-	-	-
	72	32.3	2.6	26.0	21.1	16.3	11.4	-	-	29.4	2.9	24.8	20.0	15.1	10.2	-	-
	67	29.2	2.6	29.2	26.4	21.5	16.7	11.8	-	26.5	2.9	26.5	25.1	20.7	15.8	10.9	-
	62	25.3	2.6	25.3	25.3	25.0	20.1	15.3	10.4	23.8	2.9	23.8	23.8	23.5	18.6	13.8	8.9
	57	26.2	2.6	26.2	26.2	26.0	21.1	16.2	11.4	23.3	2.9	23.3	23.3	23.0	18.2	13.3	8.5
1125	72	31.9	2.7	28.5	23.0	17.5	11.9	-	-	30.2	3.0	27.5	22.0	16.5	10.9	-	-
	67	28.8	2.7	28.8	27.4	23.1	17.6	12.1	-	27.2	3.1	27.2	26.5	22.5	17.0	11.5	-
	62	24.9	2.8	24.9	24.9	24.8	19.2	13.7	8.2	24.4	3.0	24.4	24.4	24.3	18.8	13.2	7.7
	57	25.8	2.8	25.8	25.8	25.7	20.2	14.6	9.1	23.9	3.0	23.9	23.9	23.7	18.2	12.7	7.1
	72	31.4	2.9	31.1	24.9	18.7	12.5	-	-	31.0	3.1	30.2	24.0	17.8	11.6	-	-
1250	67	28.4	2.9	28.4	28.4	24.7	18.5	12.3	-	27.9	3.2	27.9	27.9	24.4	18.2	12.0	-
	62	24.6	2.9	24.6	24.6	24.6	18.3	12.1	5.9	25.1	3.2	25.1	25.1	25.1	18.9	12.7	6.5
	57	25.5	2.9	25.5	25.5	25.5	19.2	13.0	6.8	24.4	3.2	24.4	24.4	24.4	18.2	12.0	5.8

BHZ030 (2.5 Ton) (Continued)

Air on Evaporator Coil		Temperature of Air on Condenser Coil															
CFM	WB (°F)	Net Capacity ¹ (MBh)	Total Input (kW) ²	Sensible Capacity (MBh)						Net Capacity ¹ (MBh)	Total Input (kW) ²	Sensible Capacity (MBh)					
				Return Dry Bulb (°F)								Return Dry Bulb (°F)					
				90	85	80	75	70	65			90	85	80	75	70	65
				115°F						125°F							
750	77	29.2	3.1	13.8	10.2	6.7	-	-	-	26.0	3.3	12.5	8.9	5.3	-	-	-
	72	26.4	3.1	18.6	15.1	11.5	7.9	-	-	23.4	3.4	17.5	13.9	10.4	6.8	-	-
	67	23.7	3.2	23.5	19.9	16.3	12.8	9.2	-	20.8	3.5	20.8	19.0	15.4	11.8	8.3	-
	62	22.1	3.1	22.1	21.7	18.1	14.6	11.0	7.4	20.5	3.4	20.5	20.2	16.6	13.1	9.5	5.9
57	20.2	3.1	20.2	20.2	16.6	13.0	9.5	5.9	17.2	3.4	17.2	17.2	13.9	10.4	6.8	3.2	
875	77	29.3	3.1	18.7	12.0	7.4	-	-	-	26.2	3.4	18.2	10.9	6.0	-	-	-
	72	26.5	3.2	21.1	16.9	12.7	8.5	-	-	23.5	3.5	20.0	15.8	11.6	7.4	-	-
	67	23.7	3.3	23.6	21.8	18.1	13.9	9.6	-	20.9	3.6	20.9	20.7	17.2	13.0	8.8	-
	62	22.2	3.2	22.2	22.0	20.1	15.8	11.6	7.4	20.6	3.5	20.6	20.5	18.6	14.3	10.1	5.9
57	20.3	3.2	20.3	20.2	18.4	14.2	9.9	5.7	17.3	3.5	17.3	17.3	15.6	11.4	7.2	2.9	
1000	77	29.3	3.2	23.6	13.8	8.1	-	-	-	26.3	3.4	24.0	12.8	6.6	-	-	-
	72	26.5	3.2	23.7	18.8	13.9	9.1	-	-	23.7	3.6	22.5	17.6	12.8	7.9	-	-
	67	23.8	3.3	23.8	23.8	19.8	15.0	10.1	-	21.0	3.7	21.0	21.0	19.0	14.1	9.2	-
	62	22.2	3.2	22.2	22.2	22.0	17.1	12.3	7.4	20.7	3.5	20.7	20.7	20.5	15.6	10.8	5.9
57	20.3	3.3	20.3	20.3	20.1	15.3	10.4	5.6	17.4	3.6	17.4	17.4	17.2	12.4	7.5	2.6	
1125	72	28.6	3.3	26.5	21.0	15.4	9.9	-	-	26.9	3.6	25.5	20.0	14.4	8.9	-	-
	67	25.6	3.4	25.6	25.6	21.9	16.4	10.9	-	24.0	3.7	24.0	24.0	21.3	15.8	10.3	-
	62	23.9	3.3	23.9	23.9	23.8	18.3	12.7	7.2	23.5	3.6	23.5	23.5	23.3	17.8	12.3	6.7
	57	21.9	3.3	21.9	21.9	21.8	16.2	10.7	5.2	19.9	3.6	19.9	19.9	19.8	14.3	8.8	3.2
1250	72	30.6	3.4	29.4	23.1	16.9	10.7	-	-	30.2	3.6	28.5	22.3	16.1	9.8	-	-
	67	27.4	3.5	27.4	27.4	24.1	17.9	11.6	-	26.9	3.8	26.9	26.9	23.7	17.5	11.3	-
	62	25.6	3.4	25.6	25.6	25.6	19.4	13.2	7.0	26.2	3.6	26.2	26.2	26.2	20.0	13.8	7.6
	57	23.4	3.4	23.4	23.4	23.4	17.2	11.0	4.8	22.4	3.7	22.4	22.4	22.4	16.2	10.0	3.8

1. These capacities are Net Capacities.
2. These ratings include the compressor, condenser fan and supply air blower motors.

BHZ036 (3.0 Ton)

Air on Evaporator Coil		Temperature of Air on Condenser Coil																		
CFM	WB (°F)	Net Capacity ¹ (MBh)	Total Input (kW) ²	Sensible Capacity (MBh)						Net Capacity ¹ (MBh)	Total Input (kW) ²	Sensible Capacity (MBh)								
				Return Dry Bulb (°F)								Return Dry Bulb (°F)								
				90	85	80	75	70	65			90	85	80	75	70	65			
				75°F								85°F								
900	77	39.2	2.6	19.4	15.1	10.8	-	-	-	39.6	2.7	20.6	16.3	12.0	-	-	-			
	72	38.5	2.4	27.0	22.7	18.4	14.2	-	-	37.6	2.6	27.1	22.8	18.5	14.2	-	-			
	67	37.7	2.2	34.6	30.3	26.1	21.8	17.5	-	35.5	2.6	33.6	29.3	25.0	20.7	16.5	-			
	62	34.8	2.2	34.8	34.8	32.3	28.0	23.7	19.5	33.2	2.5	33.2	33.2	30.9	26.6	22.3	18.1			
	57	34.5	2.3	34.5	34.5	32.4	28.1	23.9	19.6	32.9	2.6	32.9	32.9	30.8	26.6	22.3	18.0			
1050	77	40.4	2.6	22.9	16.8	11.8	-	-	-	40.3	2.8	24.8	17.9	12.9	-	-	-			
	72	39.6	2.5	30.1	25.0	20.0	14.9	-	-	38.2	2.7	30.0	24.9	19.9	14.8	-	-			
	67	38.8	2.3	37.2	33.3	28.2	23.2	18.1	-	36.1	2.6	35.1	31.9	26.9	21.8	16.7	-			
	62	35.8	2.3	35.8	35.8	35.0	29.9	24.8	19.8	33.8	2.6	33.8	33.8	33.2	28.1	23.0	18.0			
	57	35.5	2.3	35.5	35.5	35.1	30.0	25.0	19.9	33.5	2.6	33.5	33.5	33.1	28.1	23.0	17.9			
1200	77	41.6	2.7	26.5	18.5	12.7	-	-	-	40.9	2.9	29.1	19.6	13.8	-	-	-			
	72	40.7	2.5	33.2	27.3	21.5	15.7	-	-	38.8	2.8	32.9	27.1	21.2	15.4	-	-			
	67	39.8	2.4	39.8	36.2	30.4	24.5	18.7	-	36.7	2.7	36.7	34.5	28.7	22.9	17.0	-			
	62	36.8	2.4	36.8	36.8	37.6	31.8	26.0	20.1	34.3	2.7	34.3	34.3	35.4	29.6	23.8	17.9			
	57	36.5	2.4	36.5	36.5	37.7	31.9	26.1	20.3	34.1	2.7	34.1	34.1	35.4	29.5	23.7	17.9			
1350	72	41.2	2.6	36.3	29.4	22.8	16.1	-	-	39.5	2.9	35.9	29.3	22.7	16.0	-	-			
	67	40.3	2.4	40.3	38.5	32.1	25.5	18.9	-	37.3	2.8	37.3	36.2	30.6	24.0	17.3	-			
	62	37.3	2.4	37.3	37.3	37.7	31.0	24.4	17.7	34.9	2.7	34.9	34.9	35.4	28.8	22.1	15.5			
	57	36.9	2.5	36.9	36.9	37.5	30.9	24.3	17.6	34.6	2.8	34.6	34.6	35.3	28.6	22.0	15.3			
	72	41.7	2.7	39.5	31.5	24.0	16.6	-	-	40.1	3.0	39.0	31.5	24.1	16.6	-	-			
1500	67	40.8	2.5	40.8	40.8	33.9	26.5	19.0	-	37.9	2.9	37.9	37.9	32.5	25.1	17.6	-			
	62	37.7	2.5	37.7	37.7	37.7	30.3	22.8	15.4	35.4	2.8	35.4	35.4	35.4	28.0	20.5	13.1			
	57	37.3	2.5	37.3	37.3	37.3	29.9	22.4	15.0	35.2	2.9	35.2	35.2	35.2	27.7	20.2	12.8			
					95°F								105°F							
	900	77	40.0	2.9	21.7	17.5	13.2	-	-	-	37.1	3.4	20.1	15.8	11.6	-	-	-		
72		36.7	2.9	27.1	22.8	18.6	14.3	-	-	33.6	3.4	25.5	21.3	17.0	12.7	-	-			
67		33.4	2.9	32.5	28.2	24.0	19.7	15.4	-	30.1	3.3	29.6	26.7	22.4	18.2	13.9	-			
62		31.6	2.8	31.6	31.6	29.5	25.2	20.9	16.6	28.7	3.2	28.7	28.7	26.3	22.0	17.8	13.5			
57		31.4	2.8	31.4	31.4	29.3	25.0	20.7	16.4	28.6	3.3	28.6	28.6	26.2	22.0	17.7	13.4			
1050	77	40.2	3.0	26.7	19.1	14.0	-	-	-	37.4	3.5	26.1	18.3	12.4	-	-	-			
	72	36.8	3.0	29.9	24.8	19.8	14.7	-	-	33.8	3.4	28.4	23.4	18.3	13.2	-	-			
	67	33.5	3.0	33.1	30.6	25.5	20.4	15.4	-	30.3	3.4	30.1	28.4	24.2	19.1	14.1	-			
	62	31.7	2.9	31.7	31.7	31.3	26.3	21.2	16.2	28.9	3.3	28.9	28.9	28.3	23.3	18.2	13.2			
	57	31.5	2.9	31.5	31.5	31.1	26.1	21.0	16.0	28.8	3.3	28.8	28.8	28.3	23.2	18.1	13.1			
1200	77	40.3	3.1	31.6	20.7	14.9	-	-	-	37.6	3.6	32.0	20.7	13.3	-	-	-			
	72	37.0	3.1	32.6	26.8	20.9	15.1	-	-	34.1	3.5	31.3	25.4	19.6	13.8	-	-			
	67	33.6	3.1	33.6	32.9	27.0	21.2	15.4	-	30.5	3.4	30.5	30.1	25.9	20.1	14.2	-			
	62	31.9	3.0	31.9	31.9	33.2	27.4	21.6	15.7	29.1	3.4	29.1	29.1	30.3	24.5	18.7	12.8			
	57	31.6	3.0	31.6	31.6	33.0	27.2	21.3	15.5	29.0	3.4	29.0	29.0	30.3	24.4	18.6	12.8			
1350	72	37.7	3.2	35.6	29.2	22.5	15.9	-	-	34.5	3.6	33.1	27.2	20.6	13.9	-	-			
	67	34.3	3.2	34.3	33.9	29.1	22.4	15.8	-	30.9	3.5	30.9	30.7	27.1	20.5	13.9	-			
	62	32.5	3.1	32.5	32.5	33.2	26.6	19.9	13.3	29.5	3.5	29.5	29.5	30.1	23.5	16.8	10.2			
	57	32.3	3.1	32.3	32.3	33.0	26.3	19.7	13.1	29.4	3.5	29.4	29.4	30.0	23.4	16.7	10.1			
	72	38.5	3.3	38.5	31.6	24.1	16.7	-	-	35.0	3.7	35.0	29.0	21.5	14.1	-	-			
1500	67	35.0	3.3	35.0	35.0	31.1	23.7	16.2	-	31.3	3.6	31.3	31.3	28.4	20.9	13.5	-			
	62	33.2	3.2	33.2	33.2	33.2	25.7	18.3	10.8	29.9	3.6	29.9	29.9	29.9	22.4	15.0	7.5			
	57	33.0	3.2	33.0	33.0	33.0	25.5	18.1	10.6	29.8	3.6	29.8	29.8	29.8	22.3	14.9	7.4			

BHZ036 (3.0 Ton) (Continued)

Air on Evaporator Coil		Temperature of Air on Condenser Coil															
CFM	WB (°F)	Net Capacity ¹ (MBh)	Total Input (kW) ²	Sensible Capacity (MBh)						Net Capacity ¹ (MBh)	Total Input (kW) ²	Sensible Capacity (MBh)					
				Return Dry Bulb (°F)								Return Dry Bulb (°F)					
				90	85	80	75	70	65			90	85	80	75	70	65
				115°F						125°F							
900	77	34.1	3.9	18.5	14.2	9.9	-	-	-	31.2	4.4	16.9	12.6	8.3	-	-	-
	72	30.5	3.8	24.0	19.7	15.4	11.1	-	-	27.3	4.3	22.4	18.1	13.8	9.6	-	-
	67	26.8	3.7	26.8	25.2	20.9	16.6	12.3	-	23.5	4.2	23.5	23.5	19.3	15.1	10.8	-
	62	25.7	3.7	25.7	25.7	23.1	18.9	14.6	10.3	22.7	4.1	22.7	22.7	20.0	15.7	11.4	7.2
	57	25.8	3.7	25.8	25.8	23.2	18.9	14.7	10.4	22.9	4.1	22.9	22.9	20.2	15.9	11.6	7.4
1050	77	34.5	4.0	25.5	17.5	10.9	-	-	-	31.7	4.4	24.9	16.7	9.3	-	-	-
	72	30.8	3.9	27.0	21.9	16.8	11.8	-	-	27.8	4.3	25.5	20.4	15.4	10.3	-	-
	67	27.1	3.8	27.1	26.3	22.8	17.8	12.7	-	23.9	4.2	23.9	23.9	21.5	16.4	11.4	-
	62	26.0	3.7	26.0	26.0	25.3	20.2	15.2	10.1	23.1	4.2	23.1	23.1	22.3	17.2	12.2	7.1
	57	26.1	3.7	26.1	26.1	25.4	20.3	15.3	10.2	23.3	4.2	23.3	23.3	22.5	17.4	12.4	7.3
1200	77	34.9	4.0	32.5	20.8	11.8	-	-	-	32.2	4.5	32.2	20.9	10.3	-	-	-
	72	31.2	3.9	29.9	24.1	18.3	12.4	-	-	28.3	4.3	28.3	22.8	16.9	11.1	-	-
	67	27.4	3.8	27.4	27.4	24.8	18.9	13.1	-	24.3	4.2	24.3	24.3	23.6	17.8	12.0	-
	62	26.3	3.8	26.3	26.3	27.4	21.6	15.8	9.9	23.5	4.2	23.5	23.5	23.5	18.7	12.9	7.0
	57	26.4	3.8	26.4	26.4	27.5	21.7	15.9	10.0	23.7	4.2	23.7	23.7	23.7	18.9	13.1	7.3
1350	72	31.3	4.0	30.7	25.2	18.6	12.0	-	-	28.1	4.4	28.1	23.3	16.6	10.0	-	-
	67	27.5	3.9	27.5	27.5	25.2	18.6	11.9	-	24.1	4.3	24.1	24.1	23.3	16.6	10.0	-
	62	26.4	3.9	26.4	26.4	27.0	20.3	13.7	7.1	23.4	4.3	23.4	23.4	23.4	17.2	10.6	4.0
		57	26.5	3.9	26.5	26.5	27.1	20.4	13.8	7.1	23.6	4.3	23.6	23.6	23.6	17.5	10.8
1500	72	31.5	4.1	31.5	26.4	18.9	11.5	-	-	27.9	4.5	27.9	23.8	16.3	8.9	-	-
	67	27.7	4.0	27.7	27.7	25.6	18.2	10.7	-	24.0	4.4	24.0	24.0	22.9	15.4	8.0	-
	62	26.5	4.0	26.5	26.5	26.5	19.1	11.6	4.2	23.2	4.4	23.2	23.2	23.2	15.8	8.3	0.9
		57	26.6	4.0	26.6	26.6	26.6	19.2	11.7	4.3	23.4	4.4	23.4	23.4	16.0	8.5	1.1

1. These capacities are Net Capacities.
2. These ratings include the compressor, condenser fan and supply air blower motors.

BHZ042 (3.5 Ton)

Air on Evaporator Coil		Temperature of Air on Condenser Coil															
CFM	WB (°F)	Net Capacity ¹ (MBh)	Total Input (kW) ²	Sensible Capacity (MBh)						Net Capacity ¹ (MBh)	Total Input (kW) ²	Sensible Capacity (MBh)					
				Return Dry Bulb (°F)								Return Dry Bulb (°F)					
				90	85	80	75	70	65			90	85	80	75	70	65
				75°F						85°F							
1050	77	52.7	3.0	26.6	21.6	16.6	-	-	-	47.6	3.2	24.7	19.7	14.8	-	-	-
	72	48.9	2.9	34.3	29.3	24.4	19.4	-	-	44.4	3.2	32.7	27.7	22.7	17.7	-	-
	67	45.1	2.8	43.9	37.1	32.1	27.1	22.1	-	41.2	3.2	40.6	35.6	30.6	25.6	20.6	-
	62	44.0	2.8	44.0	44.0	42.6	37.6	32.6	27.7	38.8	3.1	38.8	38.8	38.2	33.2	28.2	23.2
	57	43.6	2.8	43.6	43.6	41.8	36.8	31.8	26.8	39.4	3.1	39.4	39.4	38.5	33.5	28.5	23.5
1225	77	52.5	2.9	29.9	22.9	17.0	-	-	-	48.4	3.2	28.7	21.1	15.2	-	-	-
	72	48.7	2.9	36.7	30.8	24.9	19.0	-	-	45.2	3.2	35.1	29.3	23.4	17.5	-	-
	67	44.9	2.8	44.3	38.7	32.8	26.9	21.0	-	41.9	3.2	41.6	37.4	31.5	25.6	19.7	-
	62	43.9	2.8	43.9	43.9	42.3	36.4	30.5	24.6	39.5	3.1	39.5	39.5	39.3	33.4	27.5	21.6
	57	43.5	2.8	43.5	43.5	42.6	36.7	30.8	24.9	40.1	3.1	40.1	40.1	39.6	33.7	27.9	22.0
1400	77	52.3	2.9	33.2	24.1	17.3	-	-	-	49.3	3.2	32.6	22.4	15.6	-	-	-
	72	48.5	2.9	39.0	32.2	25.4	18.6	-	-	45.9	3.2	37.6	30.8	24.0	17.2	-	-
	67	44.7	2.8	44.7	40.2	33.4	26.6	19.8	-	42.6	3.2	42.6	39.2	32.4	25.6	18.8	-
	62	43.8	2.8	43.8	43.8	41.9	35.1	28.3	21.5	40.2	3.1	40.2	40.2	40.4	33.6	26.8	20.0
	57	43.3	2.8	43.3	43.3	43.5	36.7	29.9	23.1	40.8	3.1	40.8	40.8	40.8	34.0	27.2	20.4
1575	72	48.4	3.1	41.4	33.7	25.9	18.2	-	-	46.7	3.4	40.2	32.5	24.7	17.0	-	-
	67	44.5	3.0	44.5	41.9	34.1	26.4	18.6	-	43.3	3.3	43.3	41.1	33.3	25.6	17.8	-
	62	43.7	3.0	43.7	43.7	42.7	35.0	27.3	19.5	40.9	3.3	40.9	40.9	41.0	33.2	25.5	17.7
	57	43.2	3.0	43.2	43.2	43.5	35.8	28.1	20.3	41.5	3.3	41.5	41.5	41.5	33.7	26.0	18.2
	72	48.2	3.3	43.9	35.2	26.5	17.8	-	-	47.5	3.5	42.8	34.1	25.4	16.7	-	-
1750	67	44.4	3.3	44.4	43.6	34.9	26.2	17.5	-	44.1	3.5	44.1	43.0	34.3	25.6	16.9	-
	62	43.6	3.2	43.6	43.6	43.6	34.9	26.2	17.5	41.6	3.4	41.6	41.6	41.6	32.9	24.2	15.5
	57	43.1	3.2	43.1	43.1	43.6	34.9	26.2	17.5	42.2	3.4	42.2	42.2	42.2	33.5	24.8	16.1
					95°F						105°F						
	1050	77	42.5	3.5	22.9	17.9	12.9	-	-	-	39.6	3.8	22.3	17.3	12.3	-	-
72		39.9	3.5	31.0	26.0	21.0	16.0	-	-	36.3	3.7	29.9	24.9	19.9	14.9	-	-
67		37.3	3.5	37.3	34.1	29.1	24.1	19.2	-	33.0	3.7	33.0	31.4	27.4	22.4	17.4	-
62		33.7	3.4	33.7	33.7	33.7	28.7	23.7	18.8	30.6	3.6	30.6	30.6	30.6	25.6	20.6	15.6
57		35.2	3.4	35.2	35.2	35.2	30.2	25.3	20.3	31.9	3.7	31.9	31.9	31.9	26.9	21.9	16.9
1225	77	44.4	3.5	27.5	19.3	13.4	-	-	-	41.2	3.9	28.3	19.6	12.8	-	-	-
	72	41.6	3.5	33.6	27.7	21.8	16.0	-	-	37.7	3.9	32.4	26.5	20.6	14.7	-	-
	67	38.9	3.5	38.9	36.2	30.3	24.4	18.5	-	34.3	3.8	34.3	32.9	28.5	22.6	16.7	-
	62	35.2	3.4	35.2	35.2	36.3	30.4	24.5	18.6	31.8	3.8	31.8	31.8	32.8	26.9	21.0	15.1
	57	36.8	3.4	36.8	36.8	36.6	30.8	24.9	19.0	33.2	3.8	33.2	33.2	33.3	27.4	21.5	15.6
1400	77	46.2	3.5	32.1	20.7	13.9	-	-	-	42.7	4.0	34.3	21.9	13.3	-	-	-
	72	43.4	3.5	36.3	29.5	22.7	15.9	-	-	39.2	4.0	35.0	28.2	21.4	14.6	-	-
	67	40.5	3.6	40.5	38.2	31.4	24.6	17.8	-	35.6	3.9	35.6	34.5	29.5	22.7	15.9	-
	62	36.6	3.5	36.6	36.6	38.9	32.1	25.3	18.5	33.0	3.9	33.0	33.0	35.0	28.2	21.4	14.6
	57	38.3	3.5	38.3	38.3	38.1	31.3	24.5	17.6	34.4	3.9	34.4	34.4	34.7	27.9	21.1	14.2
1575	72	45.1	3.6	39.0	31.2	23.5	15.7	-	-	40.6	4.0	37.2	29.9	22.1	14.4	-	-
	67	42.1	3.6	42.1	40.3	32.5	24.8	17.0	-	37.0	4.0	37.0	36.0	30.5	22.8	15.0	-
	62	38.1	3.5	38.1	38.1	39.2	31.5	23.7	16.0	34.3	3.9	34.3	34.3	35.3	27.5	19.8	12.0
	57	39.8	3.5	39.8	39.8	39.4	31.7	23.9	16.2	35.7	3.9	35.7	35.7	35.7	27.9	20.2	12.4
	72	46.8	3.7	41.7	33.0	24.3	15.6	-	-	42.1	4.0	39.5	31.6	22.9	14.2	-	-
1750	67	43.7	3.7	43.7	42.4	33.7	25.0	16.3	-	38.3	4.0	38.3	37.6	31.5	22.8	14.1	-
	62	39.6	3.6	39.6	39.6	39.6	30.9	22.2	13.5	35.5	3.9	35.5	35.5	35.5	26.8	18.1	9.4
	57	41.3	3.6	41.3	41.3	40.8	32.1	23.4	14.7	37.0	4.0	37.0	37.0	36.7	28.0	19.3	10.6

BHZ042 (3.5 Ton) (Continued)

Air on Evaporator Coil		Temperature of Air on Condenser Coil															
CFM	WB (°F)	Net Capacity ¹ (MBh)	Total Input (kW) ²	Sensible Capacity (MBh)						Net Capacity ¹ (MBh)	Total Input (kW) ²	Sensible Capacity (MBh)					
				Return Dry Bulb (°F)								Return Dry Bulb (°F)					
				90	85	80	75	70	65			90	85	80	75	70	65
				115°F						125°F							
1050	77	36.6	4.1	21.7	16.7	11.7	-	-	-	33.6	4.3	21.1	16.1	11.2	-	-	-
	72	32.6	4.0	28.7	23.7	18.7	13.7	-	-	29.0	4.3	27.5	22.6	17.6	12.6	-	-
	67	28.7	3.9	28.7	28.7	25.7	20.7	15.7	-	24.4	4.2	24.4	26.0	24.0	19.0	14.0	-
	62	27.4	3.9	27.4	27.4	27.4	22.4	17.5	12.5	24.3	4.1	24.3	24.3	24.3	19.3	14.3	9.3
	57	28.5	4.0	28.5	28.5	28.5	23.5	18.6	13.6	25.2	4.2	25.2	25.2	25.2	20.2	15.2	10.2
1225	77	37.9	4.3	29.2	19.9	12.2	-	-	-	34.7	4.6	30.0	20.1	11.5	-	-	-
	72	33.8	4.2	31.2	25.3	19.4	13.5	-	-	29.9	4.5	30.0	24.1	18.2	12.3	-	-
	67	29.7	4.1	29.7	29.7	26.6	20.7	14.8	-	25.1	4.4	25.1	26.5	24.8	18.9	13.0	-
	62	28.4	4.1	28.4	28.4	29.3	23.4	17.5	11.6	25.0	4.4	25.0	25.0	25.8	19.9	14.0	8.1
	57	29.6	4.1	29.6	29.6	29.9	24.0	18.1	12.2	26.0	4.5	26.0	26.0	26.5	20.6	14.7	8.8
1400	77	39.3	4.5	36.6	23.0	12.6	-	-	-	35.8	4.9	38.9	24.1	11.9	-	-	-
	72	35.0	4.4	33.7	26.9	20.1	13.3	-	-	30.8	4.8	32.4	25.6	18.8	12.0	-	-
	67	30.8	4.3	30.8	30.8	27.5	20.7	13.9	-	25.9	4.7	25.9	27.0	25.6	18.8	12.0	-
	62	29.4	4.3	29.4	29.4	31.2	24.4	17.6	10.8	25.8	4.7	25.8	25.8	27.3	20.5	13.7	6.9
	57	30.6	4.3	30.6	30.6	31.3	24.5	17.7	10.9	26.7	4.8	26.7	26.7	27.9	21.1	14.3	7.5
1575	72	36.2	4.4	35.5	28.5	20.7	13.0	-	-	31.7	4.8	33.8	27.1	19.4	11.6	-	-
	67	31.8	4.3	31.8	31.8	28.5	20.7	13.0	-	26.6	4.7	26.6	27.5	26.4	18.7	10.9	-
	62	30.4	4.3	30.4	30.4	31.3	23.5	15.8	8.0	26.5	4.6	26.5	26.5	27.3	19.6	11.8	4.1
	57	31.6	4.3	31.6	31.6	32.0	24.2	16.5	8.7	27.5	4.7	27.5	27.5	28.2	20.5	12.7	5.0
1750	72	37.4	4.4	37.4	30.1	21.4	12.7	-	-	32.6	4.7	35.2	28.7	20.0	11.3	-	-
	67	32.8	4.3	32.8	32.8	29.4	20.7	12.0	-	27.4	4.6	27.4	28.1	27.3	18.6	9.9	-
	62	31.4	4.2	31.4	31.4	31.4	22.7	14.0	5.3	27.3	4.6	27.3	27.3	27.3	18.6	9.9	1.2
	57	32.7	4.3	32.7	32.7	32.7	24.0	15.3	6.6	28.3	4.7	28.3	28.3	28.6	19.9	11.2	2.5

1. These capacities are Net Capacities.
2. These ratings include the compressor, condenser fan and supply air blower motors.

BHZ048 (4.0 Ton)

Air on Evaporator Coil		Temperature of Air on Condenser Coil															
CFM	WB (°F)	Net Capacity ¹ (MBh)	Total Input (kW) ²	Sensible Capacity (MBh)						Net Capacity ¹ (MBh)	Total Input (kW) ²	Sensible Capacity (MBh)					
				Return Dry Bulb (°F)								Return Dry Bulb (°F)					
				90	85	80	75	70	65			90	85	80	75	70	65
				75°F						85°F							
1200	77	59.8	3.1	28.6	23.7	18.9	-	-	-	56.5	3.5	27.6	22.7	17.7	-	-	-
	72	56.3	3.0	36.6	31.8	26.9	22.1	-	-	52.9	3.4	35.5	30.6	25.6	20.7	-	-
	67	52.7	2.9	44.6	39.8	34.9	30.1	25.3	-	49.3	3.3	43.4	38.5	33.5	28.6	23.6	-
	62	47.9	2.9	47.9	46.9	41.3	36.5	31.6	26.8	45.4	3.3	45.4	44.9	39.9	35.0	30.0	25.0
	57	50.4	2.9	50.4	47.8	43.0	38.1	33.3	28.4	46.1	3.3	46.1	44.3	39.3	34.4	29.4	24.5
1400	77	61.1	3.1	30.3	25.5	20.1	-	-	-	58.0	3.5	30.1	24.5	19.0	-	-	-
	72	57.5	3.0	39.5	34.1	28.7	23.2	-	-	54.3	3.4	38.5	33.0	27.4	21.9	-	-
	67	53.9	2.9	48.6	42.6	37.2	31.8	26.4	-	50.5	3.3	47.0	41.4	35.9	30.3	24.8	-
	62	48.9	2.9	48.9	48.4	44.0	38.6	33.2	27.8	46.5	3.3	46.5	46.3	42.7	37.2	31.6	26.1
	57	51.5	2.9	51.5	50.2	45.8	40.4	35.0	29.6	47.2	3.3	47.2	46.4	42.1	36.6	31.0	25.5
1600	77	62.5	3.1	32.0	27.3	21.3	-	-	-	59.4	3.5	32.5	26.4	20.2	-	-	-
	72	58.8	3.0	42.3	36.4	30.4	24.4	-	-	55.6	3.4	41.5	35.4	29.3	23.1	-	-
	67	55.1	3.0	52.6	45.4	39.5	33.5	27.5	-	51.8	3.4	50.6	44.4	38.3	32.1	26.0	-
	62	50.0	2.9	50.0	50.0	46.6	40.7	34.7	28.7	47.7	3.3	47.7	47.7	45.6	39.4	33.3	27.1
	57	52.6	3.0	52.6	52.6	48.6	42.6	36.6	30.7	48.4	3.4	48.4	48.4	44.9	38.8	32.6	26.5
1800	72	58.5	3.0	44.2	37.6	31.0	24.5	-	-	55.7	3.4	43.5	36.7	29.9	23.1	-	-
	67	54.9	3.0	53.7	46.9	40.3	33.7	27.1	-	51.9	3.4	51.3	45.9	39.1	32.4	25.6	-
	62	49.8	2.9	49.8	49.8	47.9	41.3	34.8	28.2	47.8	3.3	47.8	47.8	46.6	39.8	33.0	26.2
	57	52.4	2.9	52.4	52.4	49.6	43.0	36.5	29.9	48.5	3.4	48.5	48.5	46.0	39.2	32.4	25.6
	72	58.3	3.0	46.1	38.9	31.7	24.5	-	-	55.8	3.5	45.5	38.0	30.6	23.2	-	-
2000	67	54.7	2.9	54.7	48.3	41.2	34.0	26.8	-	52.0	3.4	52.0	47.5	40.0	32.6	25.2	-
	62	49.6	2.9	49.6	49.6	49.2	42.0	34.8	27.6	47.8	3.3	47.8	47.8	47.7	40.2	32.8	25.4
	57	52.2	2.9	52.2	52.2	50.7	43.5	36.3	29.1	48.6	3.4	48.6	48.6	47.0	39.5	32.1	24.7
					95°F						105°F						
	1200	77	53.3	3.9	26.7	21.6	16.5	-	-	-	48.7	4.5	25.4	20.3	15.2	-	-
72		49.6	3.8	34.4	29.4	24.3	19.2	-	-	45.6	4.4	33.0	27.9	22.8	17.7	-	-
67		45.8	3.8	42.2	37.1	32.1	27.0	22.0	-	42.5	4.2	40.7	35.6	30.5	25.4	20.3	-
62		42.8	3.7	42.8	42.8	38.5	33.4	28.4	23.3	40.7	4.2	40.7	39.3	34.5	29.4	24.3	19.3
57		41.8	3.7	41.8	40.8	35.7	30.6	25.6	20.5	39.3	4.2	39.3	38.0	32.9	27.8	22.8	17.7
1400	77	54.9	3.9	29.8	23.5	17.8	-	-	-	49.8	4.5	30.0	22.2	16.4	-	-	-
	72	51.0	3.9	37.6	31.9	26.2	20.5	-	-	46.6	4.4	36.2	30.5	24.7	18.9	-	-
	67	47.2	3.8	45.3	40.3	34.6	28.9	23.2	-	43.4	4.3	42.5	38.7	33.0	27.2	21.4	-
	62	44.1	3.7	44.1	44.1	41.5	35.8	30.1	24.4	41.6	4.2	41.6	40.9	37.4	31.6	25.8	20.0
	57	43.0	3.7	43.0	42.5	38.5	32.8	27.1	21.4	40.2	4.2	40.2	39.5	35.6	29.9	24.1	18.3
1600	77	56.4	4.0	33.0	25.4	19.1	-	-	-	50.9	4.5	34.6	24.2	17.7	-	-	-
	72	52.4	3.9	40.8	34.4	28.1	21.8	-	-	47.6	4.4	39.5	33.0	26.6	20.1	-	-
	67	48.5	3.8	48.5	43.4	37.1	30.8	24.5	-	44.4	4.3	44.4	41.8	35.5	29.0	22.6	-
	62	45.3	3.7	45.3	45.3	44.5	38.2	31.9	25.6	42.5	4.2	42.5	42.5	40.2	33.7	27.3	20.8
	57	44.2	3.7	44.2	44.2	41.3	35.0	28.6	22.3	41.0	4.2	41.0	41.0	38.3	31.9	25.4	19.0
1800	72	52.9	3.9	42.8	35.8	28.8	21.8	-	-	48.0	4.4	41.7	34.5	27.3	20.2	-	-
	67	48.9	3.8	48.9	45.0	38.0	31.0	24.0	-	44.7	4.3	44.7	42.8	36.5	29.3	22.2	-
	62	45.7	3.7	45.7	45.7	45.3	38.3	31.3	24.3	42.9	4.2	42.9	42.9	41.2	34.0	26.8	19.7
	57	44.6	3.8	44.6	44.6	42.3	35.3	28.3	21.3	41.4	4.3	41.4	41.4	39.4	32.3	25.1	17.9
	72	53.3	3.9	44.8	37.1	29.5	21.8	-	-	48.4	4.4	43.8	36.0	28.1	20.2	-	-
2000	67	49.3	3.8	49.3	46.6	38.9	31.2	23.5	-	45.1	4.3	45.1	43.7	37.5	29.6	21.8	-
	62	46.1	3.7	46.1	46.1	46.1	38.4	30.7	23.1	43.2	4.3	43.2	43.2	42.1	34.3	26.4	18.5
	57	44.9	3.8	44.9	44.9	43.3	35.6	27.9	20.3	41.7	4.3	41.7	41.7	40.5	32.6	24.8	16.9

BHZ048 (4.0 Ton) (Continued)

Air on Evaporator Coil		Temperature of Air on Condenser Coil															
CFM	WB (°F)	Net Capacity ¹ (MBh)	Total Input (kW) ²	Sensible Capacity (MBh)						Net Capacity ¹ (MBh)	Total Input (kW) ²	Sensible Capacity (MBh)					
				Return Dry Bulb (°F)								Return Dry Bulb (°F)					
				90	85	80	75	70	65			90	85	80	75	70	65
				115°F						125°F							
1200	77	44.1	5.0	24.1	18.9	13.8	-	-	-	39.5	5.5	24.5	17.6	12.5	-	-	-
	72	41.6	4.9	31.6	26.5	21.3	16.2	-	-	37.7	5.4	30.2	25.0	19.9	14.7	-	-
	67	39.2	4.7	39.1	34.0	28.9	23.8	18.6	-	35.8	5.2	35.8	32.4	27.3	22.1	17.0	-
	62	38.6	4.7	38.6	35.7	30.6	25.4	20.3	15.2	36.5	5.2	36.5	32.1	26.6	21.4	16.3	11.1
	57	36.8	4.7	36.8	35.3	30.2	25.0	19.9	14.8	34.3	5.2	34.3	32.5	27.4	22.3	17.1	12.0
1400	77	44.7	5.0	30.1	21.0	15.0	-	-	-	39.7	5.5	31.1	20.9	13.6	-	-	-
	72	42.2	4.9	34.9	29.0	23.2	17.3	-	-	37.8	5.4	33.6	27.6	21.7	15.8	-	-
	67	39.7	4.8	39.7	37.1	31.4	25.5	19.7	-	36.0	5.3	36.0	35.6	29.8	23.8	17.9	-
	62	39.2	4.7	39.2	37.7	33.2	27.3	21.5	15.6	36.7	5.3	36.7	34.5	29.0	23.1	17.2	11.3
	57	37.3	4.7	37.3	36.6	32.8	26.9	21.1	15.2	34.5	5.2	34.5	33.6	29.9	24.0	18.1	12.1
1600	77	45.3	5.0	36.1	23.0	16.2	-	-	-	39.8	5.5	37.7	24.3	14.8	-	-	-
	72	42.8	4.9	38.2	31.6	25.0	18.5	-	-	38.0	5.4	36.9	30.2	23.5	16.8	-	-
	67	40.3	4.8	40.3	40.3	33.9	27.3	20.7	-	36.2	5.3	36.2	36.2	32.3	25.6	18.8	-
	62	39.7	4.8	39.7	39.7	35.8	29.3	22.7	16.1	36.9	5.3	36.9	36.9	31.5	24.8	18.1	11.4
	57	37.9	4.8	37.9	37.9	35.4	28.8	22.2	15.6	34.7	5.3	34.7	34.7	32.5	25.7	19.0	12.3
1800	72	43.1	4.9	40.5	33.2	25.9	18.5	-	-	38.3	5.4	38.3	31.9	24.4	16.9	-	-
	67	40.6	4.8	40.6	40.6	35.0	27.7	20.3	-	36.4	5.3	36.4	36.4	33.5	26.0	18.5	-
	62	40.0	4.8	40.0	40.0	37.0	29.7	22.4	15.1	37.1	5.3	37.1	37.1	32.9	25.4	17.9	10.4
	57	38.1	4.8	38.1	38.1	36.6	29.2	21.9	14.6	34.9	5.3	34.9	34.9	33.7	26.2	18.7	11.2
2000	72	43.5	4.9	42.8	34.8	26.7	18.6	-	-	38.5	5.4	38.5	33.6	25.3	17.0	-	-
	67	40.9	4.8	40.9	40.9	36.1	28.0	20.0	-	36.7	5.3	36.7	36.7	34.7	26.5	18.2	-
	62	40.3	4.8	40.3	40.3	38.2	30.1	22.1	14.0	37.4	5.3	37.4	37.4	34.3	26.0	17.8	9.5
	57	38.4	4.8	38.4	38.4	37.7	29.7	21.6	13.5	35.2	5.3	35.2	35.2	34.9	26.7	18.4	10.2

1. These capacities are Net Capacities.
2. These ratings include the compressor, condenser fan and supply air blower motors.

BHZ060 (5.0 Ton)

Air on Evaporator Coil		Temperature of Air on Condenser Coil															
CFM	WB (°F)	Net Capacity ¹ (MBh)	Total Input (kW) ²	Sensible Capacity (MBh)						Net Capacity ¹ (MBh)	Total Input (kW) ²	Sensible Capacity (MBh)					
				Return Dry Bulb (°F)								Return Dry Bulb (°F)					
				90	85	80	75	70	65			90	85	80	75	70	65
				75°F						85°F							
1500	77	64.4	3.5	29.3	23.3	17.3	-	-	-	61.6	4.0	28.7	22.7	16.7	-	-	-
	72	62.7	3.4	40.3	34.3	28.3	22.3	-	-	59.4	3.9	39.1	33.1	27.1	21.1	-	-
	67	61.0	3.3	51.2	45.2	39.2	33.2	27.2	-	57.2	3.8	49.4	43.4	37.4	31.5	25.5	-
	62	56.8	3.3	56.8	53.5	47.6	41.6	35.6	29.6	54.3	3.8	54.3	50.5	44.6	38.6	32.6	26.6
	57	58.2	3.3	58.2	54.4	48.4	42.4	36.4	30.4	54.9	3.8	54.9	50.9	44.9	38.9	33.0	27.0
1750	77	67.0	3.5	31.8	25.2	18.5	-	-	-	63.8	4.0	31.4	24.6	17.9	-	-	-
	72	65.3	3.4	43.5	36.8	30.2	23.5	-	-	61.6	3.9	42.4	35.7	29.0	22.3	-	-
	67	63.5	3.3	55.1	48.5	41.8	35.1	28.5	-	59.3	3.8	53.5	46.8	40.1	33.3	26.6	-
	62	59.2	3.3	59.2	57.5	50.7	44.1	37.4	30.7	56.2	3.8	56.2	54.4	47.7	41.0	34.2	27.5
	57	60.6	3.3	60.6	58.5	51.6	44.9	38.3	31.6	56.8	3.8	56.8	54.8	48.1	41.3	34.6	27.9
2000	77	69.7	3.6	34.3	27.0	19.7	-	-	-	66.1	4.0	34.0	26.5	19.1	-	-	-
	72	67.9	3.5	46.7	39.4	32.0	24.7	-	-	63.7	3.9	45.8	38.3	30.9	23.4	-	-
	67	66.0	3.3	59.1	51.8	44.4	37.1	29.7	-	61.3	3.8	57.6	50.1	42.7	35.2	27.8	-
	62	61.5	3.3	61.5	61.5	53.9	46.6	39.2	31.9	58.2	3.8	58.2	58.2	50.8	43.3	35.9	28.4
	57	63.0	3.3	63.0	62.6	54.8	47.5	40.2	32.8	58.8	3.8	58.8	58.6	51.2	43.7	36.3	28.8
2250	72	66.5	3.5	48.6	40.5	32.4	24.3	-	-	62.7	3.9	47.5	39.3	31.1	22.9	-	-
	67	64.7	3.4	61.3	53.0	44.9	36.8	28.6	-	60.4	3.8	58.5	51.2	43.0	34.8	26.6	-
	62	60.3	3.3	60.3	60.3	54.5	46.4	38.2	30.1	57.3	3.8	57.3	57.3	51.2	43.0	34.8	26.6
	57	61.8	3.3	61.8	61.6	55.4	47.3	39.2	31.1	57.9	3.8	57.9	57.8	51.6	43.4	35.2	27.0
	72	65.2	3.5	50.5	41.6	32.7	23.8	-	-	61.7	4.0	49.3	40.4	31.4	22.5	-	-
2500	67	63.5	3.4	63.5	54.2	45.3	36.5	27.6	-	59.4	3.9	59.4	52.4	43.4	34.5	25.5	-
	62	59.1	3.4	59.1	59.1	55.0	46.1	37.2	28.4	56.4	3.8	56.4	56.4	51.7	42.7	33.8	24.8
	57	60.5	3.4	60.5	60.5	56.0	47.1	38.2	29.3	56.9	3.8	56.9	56.9	52.1	43.1	34.2	25.2
					95°F						105°F						
	1500	77	58.9	4.5	28.1	22.1	16.1	-	-	-	55.1	5.0	26.9	20.9	14.9	-	-
72		56.2	4.4	37.9	31.9	25.9	20.0	-	-	52.5	4.9	36.4	30.4	24.5	18.5	-	-
67		53.4	4.3	47.6	41.7	35.7	29.7	23.8	-	49.9	4.8	45.9	40.0	34.0	28.0	22.1	-
62		51.8	4.2	51.8	47.5	41.6	35.6	29.6	23.7	48.4	4.8	48.4	44.4	38.5	32.5	26.5	20.6
57		51.5	4.2	51.5	47.4	41.5	35.5	29.5	23.6	48.4	4.8	48.4	44.4	38.5	32.5	26.5	20.6
1750	77	60.6	4.5	30.9	24.1	17.3	-	-	-	56.6	5.0	30.5	22.8	16.0	-	-	-
	72	57.8	4.4	41.4	34.6	27.8	21.1	-	-	53.9	5.0	39.8	33.0	26.3	19.5	-	-
	67	55.0	4.3	51.8	45.1	38.3	31.5	24.8	-	51.2	4.9	49.1	43.3	36.5	29.8	23.0	-
	62	53.3	4.2	53.3	51.2	44.6	37.8	31.1	24.3	49.8	4.8	49.8	47.8	41.3	34.6	27.8	21.0
	57	53.1	4.2	53.1	51.1	44.5	37.7	31.0	24.2	49.7	4.8	49.7	47.8	41.3	34.6	27.8	21.1
2000	77	62.4	4.5	33.6	26.1	18.5	-	-	-	58.1	5.1	34.1	24.7	17.1	-	-	-
	72	59.5	4.4	44.8	37.3	29.7	22.1	-	-	55.3	5.0	43.2	35.6	28.1	20.6	-	-
	67	56.7	4.3	56.1	48.5	40.9	33.4	25.8	-	52.6	4.9	52.3	46.6	39.1	31.5	24.0	-
	62	54.9	4.3	54.9	54.9	47.6	40.1	32.5	24.9	51.1	4.8	51.1	51.1	44.2	36.6	29.1	21.5
	57	54.7	4.3	54.7	54.7	47.5	40.0	32.4	24.8	51.1	4.8	51.1	51.1	44.2	36.7	29.1	21.6
2250	72	58.8	4.4	46.5	38.2	29.9	21.6	-	-	54.7	5.0	44.9	36.6	28.3	20.0	-	-
	67	56.0	4.3	55.7	49.5	41.2	32.9	24.6	-	51.9	4.9	51.8	47.6	39.4	31.1	22.8	-
	62	54.2	4.3	54.2	54.2	48.0	39.7	31.4	23.1	50.5	4.8	50.5	50.5	44.5	36.2	28.0	19.7
	57	54.0	4.3	54.0	54.0	47.9	39.6	31.3	23.0	50.4	4.8	50.4	50.4	44.5	36.2	28.0	19.7
	2500	72	58.1	4.4	48.1	39.1	30.1	21.1	-	-	54.0	5.0	46.5	37.5	28.5	19.5	-
67		55.3	4.3	55.3	50.5	41.5	32.5	23.5	-	51.3	4.9	51.3	48.6	39.6	30.6	21.6	-
62		53.6	4.3	53.6	53.6	48.3	39.3	30.3	21.3	49.8	4.9	49.8	49.8	44.8	35.8	26.8	17.8
57		53.4	4.3	53.4	53.4	48.2	39.2	30.2	21.2	49.8	4.9	49.8	49.8	44.9	35.8	26.8	17.8

BHZ060 (5.0 Ton) (Continued)

Air on Evaporator Coil		Temperature of Air on Condenser Coil															
CFM	WB (°F)	Net Capacity ¹ (MBh)	Total Input (kW) ²	Sensible Capacity (MBh)						Net Capacity ¹ (MBh)	Total Input (kW) ²	Sensible Capacity (MBh)					
				Return Dry Bulb (°F)								Return Dry Bulb (°F)					
				90	85	80	75	70	65			90	85	80	75	70	65
				115°F						125°F							
1500	77	51.3	5.6	25.6	19.7	13.7	-	-	-	47.5	6.2	24.4	18.4	12.5	-	-	-
	72	48.8	5.5	34.9	29.0	23.0	17.0	-	-	45.1	6.1	33.5	27.5	21.5	15.5	-	-
	67	46.3	5.4	44.2	38.3	32.3	26.3	20.3	-	42.7	6.0	42.5	36.6	30.6	24.6	18.6	-
	62	45.1	5.4	45.1	41.3	35.4	29.4	23.4	17.4	41.8	5.9	41.8	38.2	32.3	26.3	20.3	14.3
	57	45.3	5.4	45.3	41.4	35.5	29.5	23.5	17.5	42.2	5.9	42.2	38.4	32.5	26.5	20.5	14.5
1750	77	52.5	5.6	30.1	21.5	14.7	-	-	-	48.5	6.2	29.9	20.2	13.4	-	-	-
	72	50.0	5.5	38.2	31.5	24.7	18.0	-	-	46.0	6.1	36.7	29.9	23.2	16.5	-	-
	67	47.4	5.4	46.4	41.5	34.7	28.0	21.2	-	43.6	6.0	43.6	39.7	33.0	26.2	19.5	-
	62	46.2	5.4	46.2	44.3	38.0	31.3	24.5	17.8	42.6	5.9	42.6	40.8	34.8	28.0	21.3	14.5
	57	46.4	5.4	46.4	44.5	38.2	31.4	24.7	17.9	43.0	6.0	43.0	41.2	35.0	28.2	21.5	14.8
2000	77	53.8	5.6	34.6	23.3	15.8	-	-	-	49.4	6.2	35.4	21.9	14.4	-	-	-
	72	51.1	5.5	41.6	34.0	26.5	19.0	-	-	46.9	6.1	39.9	32.4	24.9	17.4	-	-
	67	48.5	5.4	48.5	44.7	37.2	29.7	22.1	-	44.4	6.0	44.4	42.9	35.3	27.8	20.3	-
	62	47.3	5.4	47.3	47.3	40.7	33.2	25.7	18.1	43.5	6.0	43.5	43.5	37.3	29.8	22.3	14.7
	57	47.5	5.4	47.5	47.5	40.9	33.3	25.8	18.3	43.9	6.0	43.9	43.9	37.5	30.0	22.5	15.0
2250	72	50.5	5.6	43.2	35.0	26.7	18.4	-	-	46.3	6.1	41.6	33.4	25.1	16.8	-	-
	67	47.9	5.5	47.9	45.8	37.5	29.2	21.0	-	43.9	6.0	43.9	43.9	35.7	27.4	19.1	-
	62	46.7	5.4	46.7	46.7	41.1	32.8	24.5	16.3	42.9	6.0	42.9	42.9	37.6	29.4	21.1	12.8
	57	46.9	5.4	46.9	46.9	41.2	32.9	24.7	16.4	43.3	6.0	43.3	43.3	37.9	29.6	21.3	13.1
2500	72	49.8	5.6	44.9	35.9	26.9	17.9	-	-	45.7	6.2	43.3	34.3	25.3	16.3	-	-
	67	47.3	5.5	47.3	46.8	37.8	28.8	19.8	-	43.3	6.0	43.3	43.3	36.0	27.0	18.0	-
	62	46.1	5.4	46.1	46.1	41.4	32.4	23.4	14.4	42.3	6.0	42.3	42.3	37.9	28.9	19.9	10.9
	57	46.3	5.4	46.3	46.3	41.5	32.5	23.5	14.5	42.7	6.0	42.7	42.7	38.2	29.2	20.2	11.2

1. These capacities are Net Capacities.
2. These ratings include the compressor, condenser fan and supply air blower motors.

BHQ024-060 Cooling Capacities

BHQ024 (2.0 Ton)

Air on Evaporator Coil		Temperature of Air on Condenser Coil															
CFM	WB (°F)	Net Capacity ¹ (MBh)	Total Input (kW) ²	Sensible Capacity (MBh)						Net Capacity ¹ (MBh)	Total Input (kW) ²	Sensible Capacity (MBh)					
				Return Dry Bulb (°F)								Return Dry Bulb (°F)					
				90	85	80	75	70	65			90	85	80	75	70	65
				75°F						85°F							
500	77	31.5	1.3	7.0	6.0	3.8	-	-	-	29.1	1.6	8.9	7.8	5.5	-	-	-
	72	28.1	1.3	13.0	10.6	8.2	5.8	-	-	26.2	1.6	13.9	11.6	9.3	7.0	-	-
	67	24.8	1.4	19.0	15.1	12.7	10.3	7.8	-	23.4	1.6	19.0	15.4	13.1	10.8	8.4	-
	62	22.9	1.3	22.9	16.5	12.6	10.2	7.8	5.4	21.5	1.6	21.5	18.2	14.3	11.9	9.6	7.3
600	77	32.1	1.3	10.2	7.7	5.1	-	-	-	29.7	1.6	11.8	9.1	6.5	-	-	-
	72	28.7	1.4	15.8	13.3	10.7	8.2	-	-	26.7	1.6	16.3	13.7	11.1	8.5	-	-
	67	25.3	1.4	21.5	18.9	16.4	13.8	11.2	-	23.8	1.6	20.9	18.3	15.7	13.1	10.5	-
	62	23.4	1.4	23.4	19.1	16.5	14.0	11.4	8.9	22.0	1.6	22.0	19.7	17.1	14.5	11.9	9.3
700	77	32.8	1.3	13.4	9.3	6.5	-	-	-	30.2	1.6	14.6	10.5	7.6	-	-	-
	72	29.3	1.4	18.7	16.0	13.3	10.6	-	-	27.3	1.6	18.7	15.9	13.0	10.1	-	-
	67	25.8	1.4	23.9	22.8	20.1	17.4	14.7	-	24.3	1.6	22.9	21.2	18.3	15.5	12.6	-
	62	23.8	1.4	23.8	21.7	20.4	17.7	15.0	12.3	22.4	1.6	22.4	21.3	20.0	17.1	14.2	11.3
800	77	33.4	1.4	16.6	10.9	7.8	-	-	-	30.8	1.6	17.5	11.9	8.7	-	-	-
	72	29.9	1.4	21.5	18.6	15.8	13.0	-	-	27.8	1.6	21.1	18.0	14.8	11.7	-	-
	67	26.3	1.4	26.3	26.3	23.7	20.9	18.1	-	24.8	1.6	24.8	24.1	21.0	17.8	14.7	-
	62	24.3	1.4	24.3	24.3	24.3	21.5	18.6	15.8	22.8	1.6	22.8	22.8	22.8	19.7	16.5	13.4
900	77	30.3	1.4	21.9	18.5	15.1	11.7	-	-	28.1	1.6	21.9	18.4	14.8	11.3	-	-
	72	26.7	1.4	26.7	26.5	22.8	19.4	16.0	-	25.0	1.6	25.0	24.5	21.0	17.4	13.9	-
	67	24.6	1.4	24.6	24.6	24.2	20.8	17.4	14.0	23.1	1.6	23.1	23.1	22.8	19.3	15.7	12.2
	62	25.3	1.4	25.3	25.3	24.7	21.3	17.9	14.5	23.6	1.6	23.6	23.6	23.2	19.7	16.2	12.6
1000	77	30.7	1.4	22.3	18.3	14.4	10.4	-	-	28.3	1.6	22.7	18.8	14.8	10.9	-	-
	72	27.0	1.4	27.0	26.3	21.9	17.9	13.9	-	25.3	1.6	25.3	24.9	21.0	17.0	13.1	-
	67	24.9	1.4	24.9	24.9	24.0	20.1	16.1	12.1	23.3	1.6	23.3	23.3	22.8	18.9	15.0	11.0
	62	25.7	1.4	25.7	25.7	24.6	20.6	16.6	12.7	23.8	1.6	23.8	23.8	23.2	19.3	15.4	11.4
				95°F						105°F							
500	77	26.7	1.9	10.7	9.4	7.2	-	-	-	23.5	2.2	9.0	8.1	6.1	-	-	-
	72	24.3	1.8	14.9	12.6	10.4	8.1	-	-	21.5	2.2	13.5	11.4	9.3	7.2	-	-
	67	21.9	1.8	19.0	15.8	13.6	11.3	9.1	-	19.6	2.1	18.1	14.7	12.5	10.3	8.2	-
	62	20.2	1.9	20.2	19.9	15.9	13.7	11.4	9.2	18.2	2.1	18.2	18.0	14.2	12.1	10.0	7.8
600	77	27.2	1.9	13.3	10.6	8.0	-	-	-	24.2	2.2	12.0	9.5	6.9	-	-	-
	72	24.8	1.8	16.8	14.2	11.5	8.9	-	-	22.1	2.1	15.6	13.1	10.5	8.0	-	-
	67	22.3	1.8	20.4	17.8	15.1	12.4	9.8	-	20.1	2.1	19.2	16.6	14.1	11.6	9.0	-
	62	20.6	1.9	20.6	20.4	17.7	15.1	12.4	9.8	18.7	2.1	18.7	18.6	16.1	13.5	11.0	8.4
700	77	27.7	1.9	15.8	11.8	8.8	-	-	-	24.8	2.2	15.1	10.8	7.7	-	-	-
	72	25.2	1.8	18.8	15.8	12.7	9.7	-	-	22.8	2.1	17.7	14.7	11.7	8.8	-	-
	67	22.8	1.8	21.8	19.7	16.6	13.6	10.5	-	20.7	2.1	20.2	18.6	15.7	12.8	9.8	-
	62	21.0	1.8	21.0	20.9	19.6	16.5	13.4	10.4	19.3	2.1	19.3	19.2	17.9	15.0	12.0	9.0
800	77	28.3	1.9	18.4	13.1	9.6	-	-	-	25.5	2.1	18.2	12.2	8.5	-	-	-
	72	25.7	1.8	20.8	17.3	13.9	10.4	-	-	23.4	2.1	19.7	16.3	12.9	9.6	-	-
	67	23.2	1.8	23.2	21.6	18.2	14.7	11.3	-	21.3	2.1	21.3	20.5	17.4	14.0	10.6	-
	62	21.4	1.8	21.4	21.4	21.4	17.9	14.5	11.0	19.8	2.1	19.8	19.8	19.8	16.4	13.0	9.6
900	77	25.9	1.8	22.0	18.3	14.6	10.9	-	-	23.4	2.1	20.9	17.3	13.6	10.0	-	-
	72	23.3	1.8	23.3	22.6	19.1	15.4	11.8	-	21.3	2.1	21.3	20.9	18.3	14.6	11.0	-
	67	21.5	1.9	21.5	21.5	21.5	17.8	14.1	10.4	19.8	2.1	19.8	19.8	19.8	16.2	12.5	8.9
	62	21.8	1.8	21.8	21.8	21.8	18.1	14.5	10.8	20.3	2.1	20.3	20.3	20.3	16.6	12.9	9.3
1000	72	26.0	1.9	23.2	19.2	15.3	11.4	-	-	23.5	2.1	22.0	18.2	14.3	10.4	-	-
	67	23.5	1.8	23.5	23.5	20.1	16.2	12.2	-	21.4	2.1	21.4	21.4	19.2	15.3	11.3	-
	62	21.6	1.9	21.6	21.6	21.6	17.7	13.8	9.9	19.9	2.1	19.9	19.9	19.9	16.0	12.0	8.1
	57	21.9	1.8	21.9	21.9	21.9	18.0	14.1	10.2	20.3	2.1	20.3	20.3	20.3	16.4	12.4	8.5

BHQ024 (2.0 Ton) (Continued)

Air on Evaporator Coil		Temperature of Air on Condenser Coil															
		Net Capacity ¹ (MBh)	Total Input (kW) ²	Sensible Capacity (MBh)						Net Capacity ¹ (MBh)	Total Input (kW) ²	Sensible Capacity (MBh)					
				Return Dry Bulb (°F)								Return Dry Bulb (°F)					
				90	85	80	75	70	65			90	85	80	75	70	65
		115°F								125°F							
500	77	20.3	2.5	7.2	6.8	5.1	-	-	-	17.1	2.8	6.9	5.1	4.1	-	-	-
	72	18.8	2.5	12.2	10.2	8.2	6.2	-	-	16.0	2.8	10.9	9.0	7.2	5.3	-	-
	67	17.2	2.4	17.2	13.7	11.4	9.4	7.4	-	14.9	2.7	14.9	12.6	10.3	8.4	6.5	-
	62	16.3	2.4	16.3	16.2	12.5	10.5	8.5	6.5	14.3	2.7	14.3	14.3	10.8	8.9	7.0	5.2
600	77	21.1	2.5	10.8	8.3	5.9	-	-	-	18.1	2.8	10.6	7.2	4.8	-	-	-
	72	19.5	2.5	14.4	11.9	9.5	7.1	-	-	16.9	2.8	13.1	10.8	8.5	6.1	-	-
	67	17.9	2.4	17.9	15.5	13.1	10.7	8.2	-	15.7	2.7	15.7	14.4	12.1	9.8	7.4	-
	62	16.9	2.4	16.9	16.8	14.4	12.0	9.5	7.1	15.1	2.7	15.1	15.1	12.7	10.4	8.1	5.7
	57	17.4	2.4	17.4	17.3	14.8	12.4	9.9	7.5	15.7	2.6	15.7	15.6	13.2	10.9	8.6	6.2
700	77	21.9	2.5	14.4	9.8	6.7	-	-	-	19.0	2.8	14.2	9.2	5.6	-	-	-
	72	20.3	2.4	16.5	13.6	10.7	7.9	-	-	17.8	2.7	15.4	12.6	9.8	7.0	-	-
	67	18.6	2.4	18.6	17.4	14.8	12.0	9.1	-	16.5	2.7	16.5	16.3	13.9	11.1	8.3	-
	62	17.6	2.4	17.6	17.5	16.3	13.4	10.6	7.7	15.9	2.6	15.9	15.9	14.7	11.9	9.1	6.3
	57	18.1	2.3	18.1	18.0	16.8	13.9	11.0	8.1	16.5	2.6	16.5	16.4	15.2	12.5	9.7	6.9
800	77	22.7	2.4	18.0	11.3	7.4	-	-	-	20.0	2.7	17.8	11.3	6.4	-	-	-
	72	21.0	2.4	18.6	15.3	12.0	8.7	-	-	18.7	2.7	17.6	14.3	11.1	7.8	-	-
	67	19.3	2.4	19.3	19.3	16.6	13.2	9.9	-	17.4	2.6	17.4	17.4	15.8	12.5	9.2	-
	62	18.2	2.3	18.2	18.2	18.2	14.9	11.6	8.3	16.6	2.6	16.6	16.6	16.6	13.4	10.1	6.9
	57	18.7	2.3	18.7	18.7	18.7	15.4	12.1	8.8	17.3	2.6	17.3	17.3	17.3	14.0	10.8	7.5
900	72	21.0	2.4	19.8	16.3	12.7	9.0	-	-	18.5	2.7	18.5	15.3	11.7	8.1	-	-
	67	19.3	2.4	19.3	19.3	17.5	13.8	10.2	-	17.2	2.6	17.2	17.2	16.6	13.0	9.4	-
	62	18.2	2.4	18.2	18.2	18.2	14.5	10.9	7.3	16.5	2.6	16.5	16.5	16.5	12.9	9.3	5.7
	57	18.7	2.3	18.7	18.7	18.7	15.1	11.4	7.8	17.2	2.6	17.2	17.2	17.2	13.5	9.9	6.3
1000	72	20.9	2.4	20.9	17.3	13.3	9.3	-	-	18.4	2.7	18.4	16.3	12.3	8.3	-	-
	67	19.2	2.4	19.2	19.2	18.4	14.4	10.4	-	17.1	2.6	17.1	17.1	17.1	13.5	9.5	-
	62	18.2	2.4	18.2	18.2	18.2	14.2	10.2	6.3	16.4	2.6	16.4	16.4	16.4	12.4	8.4	4.5
	57	18.7	2.3	18.7	18.7	18.7	14.7	10.8	6.8	17.0	2.6	17.0	17.0	17.0	13.1	9.1	5.1

1. These capacities are Net Capacities.
2. These ratings include the compressor, condenser fan and supply air blower motors.

BHQ030 (2.5 Ton)

Air on Evaporator Coil		Temperature of Air on Condenser Coil																	
CFM	WB (°F)	Net Capacity ¹ (MBh)	Total Input (kW) ²	Sensible Capacity (MBh)						Net Capacity ¹ (MBh)	Total Input (kW) ²	Sensible Capacity (MBh)							
				Return Dry Bulb (°F)								Return Dry Bulb (°F)							
				90	85	80	75	70	65			90	85	80	75	70	65		
				75°F								85°F							
900	77	36.5	1.7	22.0	17.2	13.5	-	-	-	35.5	2.0	17.6	14.0	10.4	-	-	-		
	72	33.8	1.7	24.8	21.2	17.5	13.9	-	-	32.6	1.9	22.5	18.9	15.3	11.7	-	-		
	67	31.1	1.7	27.6	25.2	21.5	17.9	14.3	-	29.8	1.9	27.5	23.9	20.3	16.7	13.1	-		
	62	28.1	1.6	28.1	28.1	28.1	25.6	22.0	18.4	27.1	1.9	27.1	27.1	25.5	21.9	18.3	14.7		
950	77	37.0	1.7	21.0	17.3	13.5	-	-	-	35.7	2.0	18.1	14.3	10.6	-	-	-		
	72	34.2	1.7	24.8	21.1	17.3	13.6	-	-	32.9	1.9	23.1	19.4	15.6	11.9	-	-		
	67	31.5	1.7	28.6	24.9	21.1	17.4	13.7	-	30.0	1.9	28.2	24.4	20.7	17.0	13.2	-		
	62	28.5	1.6	28.5	28.5	28.5	25.1	21.3	17.6	27.3	1.9	27.3	27.3	26.0	22.3	18.5	14.8		
1000	77	37.5	1.7	20.0	17.3	13.5	-	-	-	35.9	2.0	18.6	14.7	10.8	-	-	-		
	72	34.7	1.7	24.9	21.0	17.1	13.2	-	-	33.1	1.9	23.8	19.9	16.0	12.1	-	-		
	67	31.9	1.7	29.7	24.6	20.7	16.9	13.0	-	30.2	1.9	28.9	25.0	21.1	17.2	13.4	-		
	62	28.8	1.6	28.8	28.8	28.4	24.6	20.7	16.8	27.5	1.9	27.5	27.5	26.6	22.7	18.8	14.9		
1050	77	37.9	1.7	19.1	17.4	13.4	-	-	-	36.2	2.0	19.1	15.1	11.0	-	-	-		
	72	35.1	1.7	24.9	20.9	16.9	12.9	-	-	33.3	1.9	24.4	20.3	16.3	12.3	-	-		
	67	32.2	1.7	30.8	24.3	20.3	16.3	12.3	-	30.4	1.9	29.6	25.6	21.6	17.5	13.5	-		
	62	29.2	1.7	29.2	29.2	28.1	24.1	20.1	16.0	27.7	1.9	27.7	27.7	27.1	23.1	19.1	15.0		
1125	72	35.3	1.7	26.0	22.1	18.2	14.3	-	-	33.6	1.9	25.4	21.2	16.9	12.7	-	-		
	67	32.4	1.7	31.7	26.0	22.1	18.2	14.3	-	30.7	1.9	30.3	26.6	22.4	18.1	13.9	-		
	62	29.3	1.7	29.3	29.3	29.3	25.4	21.5	17.5	27.9	1.9	27.9	27.9	27.6	23.4	19.1	14.9		
	57	29.2	1.6	29.2	29.2	29.2	25.7	21.8	17.9	27.6	1.9	27.6	27.6	27.6	23.4	19.1	14.9		
1200	72	35.5	1.7	27.2	23.4	19.5	15.7	-	-	33.9	1.9	26.5	22.0	17.5	13.0	-	-		
	67	32.6	1.7	32.6	27.7	23.9	20.0	16.2	-	30.9	1.9	30.9	27.7	23.2	18.7	14.2	-		
	62	29.5	1.6	29.5	29.5	29.5	26.7	22.9	19.0	28.2	1.9	28.2	28.2	28.2	23.7	19.2	14.7		
	57	29.3	1.6	29.3	29.3	29.3	26.5	22.7	18.8	27.9	1.9	27.9	27.9	27.9	23.4	18.9	14.4		
				95°F								105°F							
900	77	34.4	2.2	13.2	10.8	7.2	-	-	-	31.7	2.5	14.9	11.4	7.8	-	-	-		
	72	31.5	2.2	20.3	16.7	13.1	9.5	-	-	29.1	2.4	20.4	16.8	13.2	9.6	-	-		
	67	28.5	2.1	27.4	22.6	19.0	15.4	11.8	-	26.5	2.4	25.9	22.2	18.6	15.0	11.4	-		
	62	26.2	2.1	26.2	26.2	21.8	18.2	14.6	11.0	24.7	2.4	24.7	24.7	21.8	18.2	14.6	11.1		
950	77	34.4	2.2	15.2	11.4	7.7	-	-	-	31.8	2.5	16.4	11.9	8.2	-	-	-		
	72	31.5	2.2	21.5	17.7	14.0	10.2	-	-	29.2	2.4	21.3	17.6	13.8	10.1	-	-		
	67	28.5	2.1	27.8	24.0	20.3	16.5	12.8	-	26.6	2.4	26.2	23.2	19.5	15.8	12.0	-		
	62	26.2	2.1	26.2	26.2	23.2	19.5	15.7	12.0	24.8	2.4	24.8	24.8	22.8	19.1	15.4	11.7		
1000	77	34.4	2.2	17.2	12.1	8.2	-	-	-	31.9	2.5	18.0	12.4	8.6	-	-	-		
	72	31.5	2.2	22.6	18.7	14.9	11.0	-	-	29.3	2.4	22.2	18.4	14.5	10.6	-	-		
	67	28.5	2.1	28.1	25.4	21.5	17.6	13.7	-	26.7	2.4	26.5	24.3	20.4	16.5	12.6	-		
	62	26.2	2.1	26.2	26.2	24.7	20.8	16.9	13.0	24.8	2.4	24.8	24.8	23.9	20.0	16.1	12.3		
1050	77	34.4	2.2	19.1	12.7	8.6	-	-	-	32.0	2.5	19.6	13.0	8.9	-	-	-		
	72	31.5	2.2	23.8	19.8	15.7	11.7	-	-	29.4	2.4	23.1	19.1	15.1	11.1	-	-		
	67	28.5	2.1	28.5	26.9	22.8	18.8	14.7	-	26.7	2.4	26.7	25.3	21.3	17.2	13.2	-		
	62	26.2	2.1	26.2	26.2	26.2	22.1	18.1	14.0	24.9	2.4	24.9	24.9	24.9	20.9	16.9	12.9		
1125	72	31.9	2.2	24.8	20.2	15.6	11.0	-	-	29.7	2.4	24.1	19.7	15.3	10.9	-	-		
	67	28.9	2.1	28.9	27.3	22.7	18.1	13.5	-	27.0	2.4	27.0	25.9	21.5	17.1	12.7	-		
	62	26.5	2.1	26.5	26.5	26.0	21.4	16.8	12.2	25.1	2.4	25.1	25.1	24.9	20.5	16.1	11.7		
	57	26.1	2.1	26.1	26.1	25.6	21.0	16.4	11.9	24.9	2.4	24.9	24.9	24.7	20.3	15.9	11.5		
1200	72	32.3	2.2	25.8	20.7	15.5	10.4	-	-	29.9	2.4	25.0	20.2	15.4	10.7	-	-		
	67	29.2	2.1	29.2	27.7	22.5	17.4	12.3	-	27.2	2.4	27.2	26.4	21.7	16.9	12.2	-		
	62	26.8	2.1	26.8	26.8	25.8	20.7	15.5	10.4	25.4	2.4	25.4	25.4	24.9	20.1	15.3	10.5		
	57	26.4	2.1	26.4	26.4	25.5	20.3	15.2	10.1	25.1	2.4	25.1	25.1	24.6	19.9	15.1	10.3		

BHQ030 (2.5 Ton) (Continued)

Air on Evaporator Coil		Temperature of Air on Condenser Coil															
CFM	WB (°F)	Net Capacity ¹ (MBh)	Total Input (kW) ²	Sensible Capacity (MBh)						Net Capacity ¹ (MBh)	Total Input (kW) ²	Sensible Capacity (MBh)					
				Return Dry Bulb (°F)								Return Dry Bulb (°F)					
				90	85	80	75	70	65			90	85	80	75	70	65
				115°F						125°F							
900	77	29.0	2.7	16.6	12.1	8.5	-	-	-	26.3	3.0	18.9	12.7	9.2	-	-	-
	72	26.7	2.7	20.5	16.9	13.4	9.8	-	-	24.4	2.9	20.6	17.1	13.5	9.9	-	-
	67	24.4	2.7	24.4	21.8	18.2	14.6	11.0	-	22.4	2.9	22.4	21.4	17.8	14.2	10.7	-
	62	23.2	2.7	23.2	23.2	21.8	18.3	14.7	11.1	21.7	2.9	21.7	21.7	21.7	18.3	14.8	11.2
950	77	29.2	2.7	17.7	12.5	8.7	-	-	-	26.6	3.0	19.4	13.0	9.3	-	-	-
	72	26.9	2.7	21.2	17.4	13.7	10.0	-	-	24.6	2.9	21.0	17.3	13.6	9.9	-	-
	67	24.6	2.7	24.6	22.4	18.7	15.0	11.3	-	22.7	2.9	22.7	21.6	17.9	14.2	10.5	-
	62	23.3	2.7	23.3	23.3	22.5	18.7	15.0	11.3	21.9	2.9	21.9	21.9	21.9	18.4	14.7	11.0
	57	23.2	2.7	23.2	23.2	22.4	18.6	14.9	11.2	22.0	2.9	22.0	22.0	22.0	18.4	14.7	11.0
1000	77	29.4	2.7	18.8	12.8	9.0	-	-	-	26.9	3.0	19.9	13.2	9.4	-	-	-
	72	27.1	2.7	21.8	18.0	14.1	10.2	-	-	24.9	3.0	21.4	17.6	13.7	9.9	-	-
	67	24.8	2.7	24.8	23.1	19.2	15.4	11.5	-	22.9	2.9	22.9	21.9	18.1	14.2	10.4	-
	62	23.5	2.7	23.5	23.5	23.1	19.2	15.4	11.5	22.2	2.9	22.2	22.2	22.2	18.4	14.6	10.7
	57	23.4	2.7	23.4	23.4	23.0	19.1	15.3	11.4	22.2	2.9	22.2	22.2	22.2	18.4	14.6	10.8
1050	77	29.6	2.7	20.0	13.2	9.2	-	-	-	27.3	3.0	20.4	13.5	9.5	-	-	-
	72	27.3	2.7	22.5	18.5	14.5	10.5	-	-	25.2	3.0	21.8	17.8	13.8	9.9	-	-
	67	25.0	2.7	25.0	23.7	19.7	15.7	11.7	-	23.2	2.9	23.2	22.1	18.2	14.2	10.2	-
	62	23.7	2.7	23.7	23.7	23.7	19.7	15.7	11.7	22.4	2.9	22.4	22.4	22.4	18.5	14.5	10.5
	57	23.6	2.7	23.6	23.6	23.6	19.6	15.6	11.6	22.5	2.9	22.5	22.5	22.5	18.5	14.5	10.6
1125	72	27.5	2.7	23.4	19.1	14.9	10.7	-	-	25.3	3.0	22.6	18.6	14.6	10.5	-	-
	67	25.1	2.7	25.1	24.5	20.3	16.1	11.9	-	23.2	2.9	23.2	23.1	19.2	15.1	11.1	-
	62	23.8	2.7	23.8	23.8	23.8	19.6	15.4	11.2	22.5	2.9	22.5	22.5	22.5	18.7	14.7	10.6
	57	23.7	2.7	23.7	23.7	23.7	19.5	15.3	11.1	22.5	2.9	22.5	22.5	22.5	18.7	14.7	10.7
1200	72	27.6	2.7	24.2	19.8	15.4	10.9	-	-	25.3	3.0	23.5	19.4	15.3	11.2	-	-
	67	25.2	2.7	25.2	25.2	21.0	16.5	12.1	-	23.2	2.9	23.2	23.2	20.2	16.1	12.0	-
	62	23.9	2.7	23.9	23.9	23.9	19.5	15.1	10.6	22.5	2.9	22.5	22.5	22.5	18.9	14.8	10.7
	57	23.8	2.7	23.8	23.8	23.8	19.4	15.0	10.5	22.5	2.9	22.5	22.5	22.5	18.9	14.8	10.8

1. These capacities are Net Capacities.
2. These ratings include the compressor, condenser fan and supply air blower motors.

BHQ036 (3.0 Ton)

Air on Evaporator Coil		Temperature of Air on Condenser Coil															
		Net Capacity ¹ (MBh)	Total Input (kW) ²	Sensible Capacity (MBh)						Net Capacity ¹ (MBh)	Total Input (kW) ²	Sensible Capacity (MBh)					
				Return Dry Bulb (°F)								Return Dry Bulb (°F)					
				90	85	80	75	70	65			90	85	80	75	70	65
		75°F								85°F							
1000	77	44.0	2.1	20.7	16.6	12.7	-	-	-	42.8	2.4	20.3	16.7	12.7	-	-	-
	72	41.1	2.1	26.9	23.0	19.2	15.4	-	-	39.8	2.4	26.9	22.9	18.9	14.9	-	-
	67	38.2	2.1	33.1	29.5	25.7	21.8	18.0	-	36.7	2.3	33.6	29.2	25.2	21.2	17.2	-
	62	33.4	2.0	33.4	33.4	30.3	26.5	22.6	18.8	32.9	2.3	32.9	32.9	29.8	25.8	21.8	17.8
1100	77	45.1	2.1	22.0	17.8	13.5	-	-	-	43.5	2.4	22.0	17.7	13.3	-	-	-
	72	42.1	2.1	28.9	24.6	20.4	16.1	-	-	40.4	2.4	28.6	24.3	19.9	15.6	-	-
	67	39.1	2.1	35.7	31.5	27.2	23.0	18.7	-	37.3	2.3	35.2	30.9	26.5	22.2	17.8	-
	62	34.2	2.0	34.2	34.2	32.2	27.9	23.7	19.4	33.4	2.3	33.4	33.4	31.4	27.0	22.7	18.3
	57	35.8	2.0	35.8	35.8	33.7	29.4	25.2	20.9	34.2	2.3	34.2	34.2	32.1	27.8	23.4	19.1
1200	77	46.2	2.1	23.4	19.0	14.3	-	-	-	44.2	2.4	23.7	18.7	14.0	-	-	-
	72	43.1	2.1	30.9	26.2	21.6	16.9	-	-	41.0	2.4	30.3	25.6	20.9	16.3	-	-
	67	40.1	2.1	38.4	33.5	28.8	24.2	19.5	-	37.9	2.3	36.8	32.5	27.9	23.2	18.5	-
	62	35.1	2.0	35.1	35.1	34.1	29.4	24.7	20.1	34.0	2.3	34.0	34.0	32.9	28.2	23.6	18.9
	57	36.7	2.0	36.7	36.7	35.6	30.9	26.3	21.6	34.8	2.3	34.8	34.8	33.7	29.0	24.4	19.7
1300	77	47.3	2.1	24.7	20.2	15.1	-	-	-	44.9	2.4	25.5	19.7	14.7	-	-	-
	72	44.1	2.1	32.9	27.8	22.8	17.7	-	-	41.7	2.4	32.0	26.9	21.9	16.9	-	-
	67	41.0	2.1	41.0	35.5	30.4	25.3	20.3	-	38.4	2.3	38.4	34.2	29.2	24.2	19.2	-
	62	35.9	2.0	35.9	35.9	35.9	30.9	25.8	20.7	34.5	2.3	34.5	34.5	34.5	29.5	24.5	19.4
	57	37.5	2.0	37.5	37.5	37.5	32.5	27.4	22.4	35.3	2.3	35.3	35.3	35.3	30.3	25.3	20.3
1350	72	44.3	2.1	33.7	28.5	23.4	18.2	-	-	41.8	2.4	32.8	27.6	22.5	17.3	-	-
	67	41.2	2.1	41.2	36.4	31.2	26.0	20.9	-	38.5	2.3	38.5	35.1	29.9	24.8	19.6	-
	62	36.1	2.0	36.1	36.1	36.1	30.9	25.7	20.5	34.5	2.3	34.5	34.5	34.5	29.4	24.3	19.1
	57	37.7	2.0	37.7	37.7	37.7	32.5	27.3	22.2	35.4	2.3	35.4	35.4	35.4	30.2	25.1	20.0
1400	72	44.5	2.1	34.5	29.3	24.0	18.7	-	-	41.8	2.3	33.6	28.3	23.0	17.8	-	-
	67	41.3	2.0	41.3	37.3	32.0	26.8	21.5	-	38.6	2.3	38.6	35.9	30.7	25.4	20.1	-
	62	36.2	2.0	36.2	36.2	36.2	30.9	25.6	20.4	34.6	2.3	34.6	34.6	34.6	29.3	24.1	18.8
	57	37.8	2.0	37.8	37.8	37.8	32.5	27.3	22.0	35.4	2.3	35.4	35.4	35.4	30.2	24.9	19.6
		95°F								105°F							
1000	77	41.7	2.7	19.9	16.8	12.6	-	-	-	37.8	3.0	19.9	15.7	11.6	-	-	-
	72	38.4	2.7	27.0	22.8	18.7	14.5	-	-	34.7	3.0	25.6	21.5	17.5	13.5	-	-
	67	35.1	2.6	34.1	28.9	24.7	20.6	16.4	-	31.7	3.0	31.2	27.4	23.4	19.4	15.3	-
	62	32.4	2.6	32.4	32.4	29.2	25.1	20.9	16.7	29.6	3.0	29.6	29.6	27.1	23.0	19.0	15.0
1100	77	42.0	2.7	22.0	17.6	13.1	-	-	-	38.2	3.0	22.1	16.5	12.2	-	-	-
	72	38.7	2.7	28.4	23.9	19.5	15.0	-	-	35.2	3.0	26.9	22.6	18.3	14.0	-	-
	67	35.4	2.6	34.7	30.3	25.8	21.4	16.9	-	32.1	3.0	31.8	28.8	24.4	20.1	15.8	-
	62	32.6	2.6	32.6	32.6	30.5	26.1	21.6	17.2	30.0	3.0	30.0	30.0	28.3	23.9	19.6	15.3
	57	32.7	2.6	32.7	32.7	30.6	26.1	21.7	17.3	30.0	3.0	30.0	30.0	28.3	24.0	19.7	15.3
1200	77	42.3	2.7	24.1	18.4	13.7	-	-	-	38.7	3.0	24.3	17.3	12.7	-	-	-
	72	39.0	2.6	29.7	25.0	20.3	15.6	-	-	35.6	3.0	28.3	23.7	19.1	14.5	-	-
	67	35.6	2.6	35.3	31.6	26.9	22.2	17.5	-	32.5	3.0	32.3	30.1	25.5	20.9	16.3	-
	62	32.8	2.6	32.8	32.8	31.8	27.1	22.4	17.7	30.3	3.0	30.3	30.3	29.5	24.9	20.2	15.6
	57	32.9	2.6	32.9	32.9	31.8	27.1	22.4	17.7	30.4	3.0	30.4	30.4	29.5	24.9	20.3	15.7
1300	77	42.6	2.7	26.2	19.2	14.2	-	-	-	39.1	3.0	26.5	18.1	13.2	-	-	-
	72	39.2	2.6	31.0	26.1	21.1	16.1	-	-	36.0	3.0	29.7	24.8	19.9	15.0	-	-
	67	35.9	2.6	35.9	32.9	28.0	23.0	18.0	-	32.9	3.0	32.9	31.4	26.5	21.6	16.7	-
	62	33.1	2.6	33.1	33.1	33.1	28.1	23.1	18.2	30.7	3.0	30.7	30.7	30.7	25.8	20.9	16.0
	57	33.1	2.6	33.1	33.1	33.1	28.1	23.2	18.2	30.7	2.9	30.7	30.7	30.7	25.8	20.9	16.0
1350	72	39.2	2.6	31.8	26.7	21.6	16.5	-	-	35.9	3.0	30.6	25.5	20.4	15.3	-	-
	67	35.8	2.6	35.8	33.7	28.6	23.5	18.4	-	32.8	3.0	32.8	31.8	27.3	22.2	17.1	-
	62	33.0	2.6	33.0	33.0	33.0	27.9	22.8	17.7	30.6	3.0	30.6	30.6	30.6	25.5	20.5	15.4
	57	33.1	2.6	33.1	33.1	33.1	28.0	22.9	17.8	30.7	2.9	30.7	30.7	30.7	25.6	20.5	15.4
1400	72	39.2	2.6	32.6	27.4	22.1	16.8	-	-	35.9	3.0	31.5	26.2	21.0	15.7	-	-
	67	35.8	2.6	35.8	34.5	29.3	24.0	18.8	-	32.7	3.0	32.7	32.1	28.0	22.8	17.5	-
	62	33.0	2.6	33.0	33.0	33.0	27.8	22.5	17.2	30.6	2.9	30.6	30.6	30.6	25.3	20.1	14.8
	57	33.1	2.6	33.1	33.1	33.1	27.8	22.5	17.3	30.6	2.9	30.6	30.6	30.6	25.4	20.1	14.9

BHQ036 (3.0 Ton) (Continued)

Air on Evaporator Coil		Temperature of Air on Condenser Coil															
CFM	WB (°F)	Net Capacity ¹ (MBh)	Total Input (kW) ²	Sensible Capacity (MBh)						Net Capacity ¹ (MBh)	Total Input (kW) ²	Sensible Capacity (MBh)					
				Return Dry Bulb (°F)								Return Dry Bulb (°F)					
				90	85	80	75	70	65			90	85	80	75	70	65
				115°F						125°F							
1000	77	33.8	3.4	20.0	14.5	10.7	-	-	-	29.9	3.7	20.5	13.0	9.7	-	-	-
	72	31.1	3.4	24.1	20.3	16.4	12.5	-	-	27.4	3.7	22.7	19.0	15.2	11.5	-	-
	67	28.3	3.3	28.3	26.0	22.0	18.2	14.3	-	24.9	3.7	24.9	24.9	20.7	17.0	13.2	-
	62	26.8	3.3	26.8	26.8	24.9	21.0	17.1	13.2	24.0	3.7	24.0	24.0	22.7	18.9	15.2	11.4
1100	77	34.5	3.4	22.2	15.4	11.2	-	-	-	30.7	3.7	22.7	14.5	10.2	-	-	-
	72	31.6	3.4	25.5	21.3	17.1	12.9	-	-	28.1	3.7	24.1	20.0	15.9	11.8	-	-
	67	28.8	3.3	28.8	27.3	23.1	18.8	14.6	-	25.5	3.7	25.5	25.5	21.7	17.6	13.5	-
	62	27.3	3.3	27.3	27.3	26.0	21.8	17.6	13.4	24.7	3.7	24.7	24.7	23.8	19.7	15.6	11.5
	57	27.4	3.3	27.4	27.4	26.1	21.9	17.6	13.4	24.7	3.6	24.7	24.7	23.8	19.7	15.6	11.5
1200	77	35.1	3.4	24.5	16.2	11.7	-	-	-	31.5	3.7	24.9	16.0	10.7	-	-	-
	72	32.2	3.4	26.9	22.4	17.9	13.3	-	-	28.8	3.7	25.5	21.1	16.7	12.2	-	-
	67	29.3	3.3	29.3	28.6	24.1	19.5	15.0	-	26.2	3.7	26.2	26.2	22.6	18.2	13.8	-
	62	27.8	3.3	27.8	27.8	27.2	22.6	18.1	13.6	25.3	3.7	25.3	25.3	24.8	20.4	15.9	11.5
	57	27.9	3.3	27.9	27.9	27.2	22.7	18.1	13.6	25.3	3.6	25.3	25.3	24.9	20.4	16.0	11.6
1300	77	35.7	3.4	26.8	17.1	12.2	-	-	-	32.2	3.7	27.0	17.5	11.1	-	-	-
	72	32.8	3.3	28.3	23.5	18.6	13.8	-	-	29.5	3.7	26.9	22.2	17.4	12.6	-	-
	67	29.8	3.3	29.8	29.8	25.1	20.2	15.4	-	26.8	3.7	26.8	26.8	23.6	18.8	14.1	-
	62	28.3	3.3	28.3	28.3	28.3	23.4	18.6	13.7	25.9	3.7	25.9	25.9	25.9	21.1	16.3	11.5
	57	28.3	3.3	28.3	28.3	28.3	23.5	18.6	13.8	26.0	3.6	26.0	26.0	26.0	21.2	16.4	11.6
1350	72	32.7	3.3	29.3	24.3	19.3	14.2	-	-	29.4	3.7	28.1	23.1	18.1	13.1	-	-
	67	29.8	3.3	29.8	29.8	25.9	20.9	15.9	-	26.7	3.7	26.7	26.7	24.6	19.6	14.6	-
	62	28.2	3.3	28.2	28.2	28.2	23.2	18.1	13.1	25.8	3.6	25.8	25.8	25.8	20.8	15.8	10.8
	57	28.3	3.3	28.3	28.3	28.3	23.2	18.2	13.1	25.8	3.6	25.8	25.8	25.8	20.8	15.8	10.8
1400	72	32.6	3.3	30.4	25.1	19.9	14.7	-	-	29.3	3.7	29.3	24.0	18.8	13.6	-	-
	67	29.7	3.3	29.7	29.7	26.8	21.6	16.3	-	26.6	3.7	26.6	26.6	25.6	20.3	15.1	-
	62	28.1	3.3	28.1	28.1	28.1	22.9	17.7	12.4	25.7	3.6	25.7	25.7	25.7	20.5	15.2	10.0
	57	28.2	3.3	28.2	28.2	28.2	22.9	17.7	12.5	25.7	3.6	25.7	25.7	25.7	20.5	15.3	10.1

1. These capacities are Net Capacities.
2. These ratings include the compressor, condenser fan and supply air blower motors.

BHQ042 (3.5 Ton)

Air on Evaporator Coil		Temperature of Air on Condenser Coil																	
CFM	WB (°F)	Net Capacity ¹ (MBh)	Total Input (kW) ²	Sensible Capacity (MBh)						Net Capacity ¹ (MBh)	Total Input (kW) ²	Sensible Capacity (MBh)							
				Return Dry Bulb (°F)								Return Dry Bulb (°F)							
				90	85	80	75	70	65			90	85	80	75	70	65		
				75°F								85°F							
1300	77	59.3	2.4	31.0	25.8	19.7	-	-	-	54.6	2.8	29.6	23.9	18.0	-	-	-		
	72	54.7	2.4	40.1	34.0	27.9	21.7	-	-	50.3	2.8	37.6	31.7	25.8	19.9	-	-		
	67	50.0	2.4	49.3	42.2	36.0	29.9	23.8	-	46.0	2.8	45.6	39.5	33.6	27.7	21.7	-		
	62	45.6	2.4	45.6	45.6	43.8	37.6	31.5	25.3	42.0	2.8	42.0	42.0	40.6	34.7	28.8	22.9		
1400	77	58.4	2.4	30.6	25.5	19.4	-	-	-	54.4	2.9	30.0	24.0	18.0	-	-	-		
	72	53.9	2.4	39.7	33.6	27.5	21.4	-	-	50.1	2.8	37.8	31.8	25.8	19.8	-	-		
	67	49.3	2.4	48.8	41.7	35.6	29.4	23.3	-	45.8	2.8	45.6	39.6	33.6	27.6	21.6	-		
	62	45.0	2.4	45.0	45.0	43.2	37.1	30.9	24.8	41.9	2.8	41.9	41.9	40.6	34.7	28.7	22.7		
1500	77	57.6	2.5	30.2	25.2	19.1	-	-	-	54.2	2.9	30.4	24.1	18.1	-	-	-		
	72	53.1	2.5	39.3	33.2	27.1	21.0	-	-	49.9	2.9	38.0	31.9	25.8	19.8	-	-		
	67	48.6	2.5	48.3	41.1	35.1	29.0	22.9	-	45.7	2.9	45.5	39.7	33.6	27.6	21.5	-		
	62	44.3	2.5	44.3	44.3	42.6	36.5	30.4	24.3	41.7	2.8	41.7	41.7	40.7	34.6	28.5	22.5		
1600	77	56.7	2.5	29.8	24.9	18.9	-	-	-	54.0	2.9	30.9	24.2	18.1	-	-	-		
	72	52.3	2.5	38.8	32.8	26.7	20.7	-	-	49.7	2.9	38.2	32.0	25.9	19.7	-	-		
	67	47.9	2.5	47.9	40.6	34.6	28.5	22.5	-	45.5	2.9	45.5	39.8	33.7	27.5	21.3	-		
	62	43.6	2.5	43.6	43.6	42.0	35.9	29.9	23.8	41.5	2.9	41.5	41.5	40.7	34.6	28.4	22.3		
1650	72	53.1	2.5	40.6	34.3	28.0	21.7	-	-	49.9	2.9	40.0	33.5	27.0	20.5	-	-		
	67	48.6	2.5	48.6	42.5	36.2	29.9	23.6	-	45.6	2.9	45.6	41.6	35.1	28.6	22.1	-		
	62	44.3	2.5	44.3	44.3	43.4	37.1	30.8	24.5	41.7	2.9	41.7	41.7	41.3	34.8	28.3	21.8		
	57	44.2	2.5	44.2	44.2	44.2	37.9	31.6	25.3	41.9	2.9	41.9	41.9	41.9	35.4	28.9	22.4		
1700	72	53.8	2.5	42.3	35.8	29.2	22.6	-	-	50.1	2.9	41.8	34.9	28.1	21.2	-	-		
	67	49.3	2.5	49.3	44.5	37.8	31.2	24.6	-	45.8	2.9	45.8	43.4	36.5	29.7	22.8	-		
	62	44.9	2.5	44.9	44.9	44.9	38.4	31.8	25.2	41.8	2.9	41.8	41.8	41.8	35.0	28.1	21.3		
	57	44.8	2.5	44.8	44.8	44.8	38.3	31.7	25.1	42.0	2.9	42.0	42.0	42.0	35.2	28.3	21.5		
				95°F								105°F							
1300	77	50.0	3.3	28.2	22.1	16.4	-	-	-	45.6	3.7	30.0	21.0	15.1	-	-	-		
	72	46.0	3.3	35.1	29.4	23.7	18.1	-	-	41.9	3.7	34.1	28.3	22.5	16.7	-	-		
	67	42.0	3.2	42.0	36.8	31.1	25.4	19.7	-	38.2	3.7	38.2	35.6	29.9	24.1	18.3	-		
	62	38.5	3.2	38.5	38.5	37.5	31.8	26.1	20.4	35.7	3.7	35.7	35.7	35.0	29.2	23.4	17.6		
1400	77	50.4	3.3	29.5	22.6	16.7	-	-	-	46.4	3.7	31.0	21.5	15.5	-	-	-		
	72	46.4	3.3	35.9	30.0	24.2	18.3	-	-	42.6	3.7	34.9	29.0	23.0	17.0	-	-		
	67	42.4	3.2	42.4	37.5	31.6	25.8	19.9	-	38.8	3.7	38.8	36.4	30.5	24.6	18.6	-		
	62	38.8	3.2	38.8	38.8	38.1	32.2	26.4	20.5	36.3	3.6	36.3	36.3	35.7	29.7	23.8	17.8		
1500	77	50.8	3.3	30.7	23.0	17.0	-	-	-	47.1	3.7	32.1	22.0	15.8	-	-	-		
	72	46.8	3.2	36.7	30.6	24.6	18.5	-	-	43.3	3.6	35.8	29.6	23.5	17.3	-	-		
	67	42.7	3.2	42.7	38.3	32.2	26.1	20.1	-	39.5	3.6	39.5	37.3	31.2	25.0	18.9	-		
	62	39.1	3.2	39.1	39.1	38.8	32.7	26.7	20.6	36.9	3.6	36.9	36.9	36.4	30.3	24.1	18.0		
1600	77	51.2	3.3	31.9	23.5	17.3	-	-	-	47.9	3.6	33.1	22.5	16.1	-	-	-		
	72	47.2	3.2	37.5	31.2	25.0	18.7	-	-	44.0	3.6	36.6	30.3	24.0	17.6	-	-		
	67	43.1	3.2	43.1	39.0	32.7	26.5	20.2	-	40.1	3.6	40.1	38.1	31.8	25.5	19.1	-		
	62	39.4	3.2	39.4	39.4	39.4	33.2	26.9	20.7	37.5	3.6	37.5	37.5	37.2	30.8	24.5	18.2		
1650	77	46.7	3.3	39.4	32.7	26.0	19.3	-	-	43.1	3.7	38.1	31.4	24.7	17.9	-	-		
	72	42.7	3.2	42.7	40.6	34.0	27.3	20.6	-	39.3	3.7	39.3	38.3	32.8	26.0	19.3	-		
	62	39.1	3.2	39.1	39.1	39.1	32.4	25.7	19.0	36.8	3.6	36.8	36.8	36.6	29.8	23.1	16.4		
	57	39.6	3.2	39.6	39.6	39.6	32.9	26.2	19.5	36.9	3.6	36.9	36.9	36.9	30.1	23.4	16.7		
1700	72	46.3	3.3	41.2	34.1	27.0	19.8	-	-	42.2	3.7	39.7	32.5	25.4	18.3	-	-		
	67	42.3	3.3	42.3	42.3	35.3	28.2	21.1	-	38.5	3.7	38.5	38.5	33.7	26.6	19.5	-		
	62	38.7	3.2	38.7	38.7	38.7	31.6	24.5	17.3	36.0	3.7	36.0	36.0	36.0	28.8	21.7	14.6		
	57	39.2	3.2	39.2	39.2	39.2	32.1	25.0	17.8	36.1	3.7	36.1	36.1	36.1	29.0	21.8	14.7		

BHQ042 (3.5 Ton) (Continued)

Air on Evaporator Coil		Temperature of Air on Condenser Coil															
CFM	WB (°F)	Net Capacity ¹ (MBh)	Total Input (kW) ²	Sensible Capacity (MBh)						Net Capacity ¹ (MBh)	Total Input (kW) ²	Sensible Capacity (MBh)					
				Return Dry Bulb (°F)								Return Dry Bulb (°F)					
				90	85	80	75	70	65			90	85	80	75	70	65
				115°F						125°F							
1300	77	41.2	4.2	31.8	20.0	13.9	-	-	-	36.8	4.6	33.5	21.6	12.6	-	-	-
	72	37.7	4.1	33.1	27.2	21.3	15.4	-	-	33.6	4.6	32.0	26.0	20.1	14.1	-	-
	67	34.3	4.1	34.3	34.3	28.7	22.8	16.9	-	30.5	4.6	30.5	30.5	27.5	21.5	15.6	-
	62	32.9	4.1	32.9	32.9	32.5	26.6	20.7	14.8	30.1	4.5	30.1	30.1	29.9	24.0	18.0	12.0
1400	77	42.3	4.1	32.6	20.5	14.2	-	-	-	38.3	4.5	34.2	21.9	13.0	-	-	-
	72	38.8	4.1	34.0	27.9	21.8	15.8	-	-	35.0	4.5	33.0	26.8	20.7	14.5	-	-
	67	35.3	4.1	35.3	35.3	29.4	23.4	17.3	-	31.8	4.5	31.8	31.8	28.3	22.2	16.0	-
	62	33.8	4.1	33.8	33.8	33.3	27.2	21.2	15.1	31.3	4.5	31.3	31.3	30.8	24.7	18.6	12.4
	57	33.5	4.1	33.5	33.5	33.5	27.5	21.4	15.4	30.7	4.5	30.7	30.7	30.7	24.9	18.7	12.6
1500	77	43.5	4.1	33.4	21.0	14.6	-	-	-	39.8	4.5	34.8	22.2	13.4	-	-	-
	72	39.9	4.1	34.8	28.6	22.4	16.1	-	-	36.4	4.5	33.9	27.6	21.3	15.0	-	-
	67	36.3	4.0	36.3	36.3	30.2	23.9	17.7	-	33.0	4.4	33.0	33.0	29.1	22.8	16.5	-
	62	34.7	4.0	34.7	34.7	34.1	27.9	21.6	15.4	32.5	4.4	32.5	32.5	31.8	25.4	19.1	12.8
	57	34.5	4.0	34.5	34.5	34.5	28.2	22.0	15.8	31.9	4.4	31.9	31.9	31.9	25.7	19.4	13.1
1600	77	44.6	4.0	34.3	21.4	14.9	-	-	-	41.3	4.4	35.4	22.5	13.8	-	-	-
	72	40.9	4.0	35.7	29.3	22.9	16.5	-	-	37.8	4.4	34.9	28.4	21.9	15.4	-	-
	67	37.2	4.0	37.2	37.2	30.9	24.5	18.1	-	34.3	4.4	34.3	34.3	30.0	23.5	17.0	-
	62	35.6	4.0	35.6	35.6	34.9	28.5	22.1	15.7	33.7	4.4	33.7	33.7	32.7	26.2	19.7	13.2
	57	35.4	4.0	35.4	35.4	35.4	29.0	22.5	16.1	33.1	4.4	33.1	33.1	33.1	26.6	20.1	13.6
1650	72	39.5	4.1	36.9	30.2	23.4	16.6	-	-	35.9	4.5	35.7	28.9	22.1	15.3	-	-
	67	35.9	4.1	35.9	35.9	31.5	24.7	18.0	-	32.6	4.5	32.6	32.6	30.3	23.4	16.6	-
	62	34.4	4.1	34.4	34.4	34.1	27.3	20.5	13.7	32.1	4.5	32.1	32.1	31.5	24.7	17.9	11.1
	57	34.2	4.1	34.2	34.2	34.2	27.4	20.6	13.8	31.5	4.5	31.5	31.5	31.5	24.6	17.8	11.0
1700	72	38.1	4.2	38.1	31.0	23.8	16.7	-	-	34.0	4.6	34.0	29.4	22.3	15.1	-	-
	67	34.7	4.1	34.7	34.7	32.1	25.0	17.9	-	30.9	4.6	30.9	30.9	30.6	23.4	16.3	-
	62	33.2	4.1	33.2	33.2	33.2	26.1	18.9	11.8	30.4	4.6	30.4	30.4	30.4	23.3	16.1	9.0
	57	33.0	4.1	33.0	33.0	33.0	25.8	18.7	11.5	29.8	4.6	29.8	29.8	29.8	22.7	15.5	8.4

1. These capacities are Net Capacities.
2. These ratings include the compressor, condenser fan and supply air blower motors.

BHQ048 (4.0 Ton)

Air on Evaporator Coil		Temperature of Air on Condenser Coil																	
CFM	WB (°F)	Net Capacity ¹ (MBh)	Total Input (kW) ²	Sensible Capacity (MBh)						Net Capacity ¹ (MBh)	Total Input (kW) ²	Sensible Capacity (MBh)							
				Return Dry Bulb (°F)								Return Dry Bulb (°F)							
				90	85	80	75	70	65			90	85	80	75	70	65		
				75°F						85°F									
1300	77	63.0	2.8	29.9	24.4	19.2	-	-	-	59.5	3.2	29.1	23.7	18.3	-	-	-		
	72	57.9	2.7	37.3	32.2	27.1	21.9	-	-	54.6	3.2	36.8	31.4	26.0	20.6	-	-		
	67	52.9	2.7	44.7	40.0	34.9	29.7	24.6	-	49.8	3.1	44.5	39.1	33.7	28.3	22.9	-		
	62	48.3	2.7	48.3	48.3	42.0	36.9	31.8	26.6	45.6	3.1	45.6	45.6	41.2	35.8	30.4	25.0		
1400	77	63.7	2.8	31.2	25.6	19.9	-	-	-	60.1	3.2	30.5	24.7	18.9	-	-	-		
	72	58.6	2.8	39.3	33.7	28.0	22.4	-	-	55.2	3.2	38.5	32.7	26.9	21.0	-	-		
	67	53.5	2.7	47.4	41.7	36.1	30.5	24.8	-	50.3	3.2	46.5	40.6	34.8	29.0	23.2	-		
	62	48.8	2.7	48.8	48.8	43.5	37.9	32.2	26.6	46.0	3.1	46.0	46.0	42.5	36.7	30.9	25.1		
	57	48.5	2.7	48.5	48.5	46.4	40.8	35.1	29.5	46.0	3.1	46.0	46.0	44.1	38.3	32.5	26.7		
1500	77	64.4	2.9	32.5	26.8	20.6	-	-	-	60.7	3.3	32.0	25.7	19.5	-	-	-		
	72	59.3	2.8	41.3	35.1	29.0	22.8	-	-	55.7	3.2	40.2	33.9	27.7	21.5	-	-		
	67	54.1	2.8	50.0	43.5	37.4	31.2	25.1	-	50.8	3.2	48.4	42.2	35.9	29.7	23.4	-		
	62	49.4	2.7	49.4	49.4	45.0	38.9	32.7	26.6	46.5	3.1	46.5	46.5	43.9	37.6	31.4	25.1		
	57	49.0	2.7	49.0	49.0	48.0	41.8	35.7	29.6	46.4	3.1	46.4	46.4	45.5	39.3	33.0	26.8		
1600	77	65.2	2.9	33.8	28.0	21.3	-	-	-	61.3	3.3	33.4	26.7	20.1	-	-	-		
	72	59.9	2.8	43.3	36.6	30.0	23.3	-	-	56.3	3.2	41.9	35.2	28.5	21.9	-	-		
	67	54.7	2.8	52.7	45.3	38.6	32.0	25.3	-	51.3	3.2	50.3	43.7	37.0	30.3	23.7	-		
	62	49.9	2.8	49.9	49.9	46.5	39.9	33.2	26.6	46.9	3.2	46.9	46.9	45.2	38.5	31.9	25.2		
	57	49.6	2.8	49.6	49.6	46.6	42.9	36.3	29.6	46.9	3.2	46.9	46.9	46.9	40.2	33.6	26.9		
1800	72	61.1	2.9	48.1	40.4	32.8	25.2	-	-	56.7	3.2	45.2	37.8	30.5	23.1	-	-		
	67	55.7	2.8	54.7	49.9	42.3	34.6	27.0	-	51.7	3.2	51.2	46.9	39.5	32.1	24.8	-		
	62	50.9	2.8	50.9	50.9	49.2	41.5	33.9	26.3	47.3	3.2	47.3	47.3	46.4	39.1	31.7	24.4		
	57	50.5	2.8	50.5	50.5	50.5	42.9	35.3	27.6	47.3	3.2	47.3	47.3	47.3	39.9	32.6	25.2		
2000	72	62.2	2.9	52.8	44.2	35.6	27.0	-	-	57.2	3.2	48.5	40.4	32.4	24.3	-	-		
	67	56.8	2.8	56.8	54.6	45.9	37.3	28.7	-	52.2	3.2	52.2	50.0	42.0	33.9	25.9	-		
	62	51.8	2.8	51.8	51.8	51.8	43.2	34.6	26.0	47.7	3.2	47.7	47.7	47.7	39.6	31.6	23.5		
	57	51.5	2.8	51.5	51.5	51.5	42.9	34.3	25.7	47.7	3.2	47.7	47.7	47.7	39.6	31.6	23.5		
				95°F						105°F									
1300	77	55.9	3.7	28.3	23.0	17.4	-	-	-	51.0	4.2	26.9	21.4	15.8	-	-	-		
	72	51.3	3.6	36.3	30.6	25.0	19.3	-	-	46.8	4.2	34.2	28.7	23.1	17.6	-	-		
	67	46.8	3.6	44.3	38.3	32.6	26.9	21.3	-	42.7	4.1	41.5	35.9	30.4	24.8	19.3	-		
	62	42.8	3.6	42.8	42.8	40.4	34.7	29.0	23.4	39.0	4.1	39.0	39.0	35.9	30.4	24.8	19.3		
1400	77	56.4	3.7	29.9	23.9	17.9	-	-	-	51.7	4.2	29.3	22.4	16.5	-	-	-		
	72	51.8	3.6	37.7	31.7	25.7	19.7	-	-	47.5	4.1	35.9	30.0	24.1	18.1	-	-		
	67	47.2	3.6	45.5	39.5	33.5	27.5	21.5	-	43.3	4.1	42.5	37.5	31.6	25.7	19.8	-		
	62	43.2	3.6	43.2	43.2	41.5	35.5	29.5	23.5	39.5	4.1	39.5	39.5	37.3	31.4	25.5	19.6		
	57	43.5	3.6	43.5	43.5	41.9	35.9	29.9	23.9	40.3	4.1	40.3	40.3	38.5	32.6	26.6	20.7		
1500	77	56.9	3.7	31.4	24.7	18.3	-	-	-	52.5	4.2	31.6	23.4	17.1	-	-	-		
	72	52.2	3.6	39.1	32.7	26.4	20.1	-	-	48.2	4.1	37.6	31.3	25.0	18.7	-	-		
	67	47.6	3.6	46.7	40.8	34.5	28.1	21.8	-	43.9	4.1	43.5	39.1	32.9	26.6	20.3	-		
	62	43.6	3.6	43.6	43.6	42.7	36.4	30.0	23.7	40.1	4.0	40.1	40.1	38.8	32.5	26.2	19.9		
	57	43.8	3.6	43.8	43.8	43.1	36.7	30.4	24.0	40.9	4.0	40.9	40.9	40.0	33.7	27.4	21.1		
1600	77	57.4	3.7	33.0	25.5	18.8	-	-	-	53.2	4.1	34.0	24.4	17.8	-	-	-		
	72	52.7	3.6	40.5	33.8	27.1	20.4	-	-	48.8	4.1	39.2	32.6	25.9	19.3	-	-		
	67	48.0	3.6	48.0	42.1	35.4	28.7	22.0	-	44.5	4.0	44.5	40.8	34.1	27.5	20.8	-		
	62	44.0	3.6	44.0	44.0	43.9	37.2	30.5	23.8	40.6	4.0	40.6	40.6	40.2	33.6	26.9	20.3		
	57	44.2	3.6	44.2	44.2	44.2	37.5	30.9	24.2	41.5	4.0	41.5	41.5	41.5	34.8	28.2	21.5		
1800	72	52.4	3.6	42.3	35.2	28.1	21.0	-	-	48.7	4.1	41.3	34.2	27.0	19.9	-	-		
	67	47.8	3.6	47.8	43.8	36.7	29.6	22.5	-	44.3	4.0	44.3	42.0	35.6	28.4	21.3	-		
	62	43.8	3.6	43.8	43.8	43.7	36.6	29.6	22.5	40.5	4.0	40.5	40.5	40.3	33.2	26.0	18.9		
	57	44.0	3.6	44.0	44.0	44.0	36.9	29.9	22.8	41.3	4.0	41.3	41.3	41.3	34.2	27.1	19.9		
2000	72	52.2	3.6	44.1	36.6	29.1	21.7	-	-	48.5	4.1	43.4	35.7	28.1	20.5	-	-		
	67	47.6	3.6	47.6	45.5	38.0	30.5	23.0	-	44.2	4.0	44.2	43.2	37.0	29.4	21.8	-		
	62	43.6	3.6	43.6	43.6	43.6	36.1	28.6	21.1	40.4	4.0	40.4	40.4	40.4	32.8	25.2	17.6		
	57	43.8	3.6	43.8	43.8	43.8	36.3	28.9	21.4	41.2	4.0	41.2	41.2	41.2	33.6	26.0	18.4		

BHQ048 (4.0 Ton) (Continued)

Air on Evaporator Coil		Temperature of Air on Condenser Coil															
		Net Capacity ¹ (MBh)	Total Input (kW) ²	Sensible Capacity (MBh)						Net Capacity ¹ (MBh)	Total Input (kW) ²	Sensible Capacity (MBh)					
				Return Dry Bulb (°F)								Return Dry Bulb (°F)					
				90	85	80	75	70	65			90	85	80	75	70	65
115°F										125°F							
1300	77	46.1	4.8	25.6	19.8	14.3	-	-	-	41.2	5.4	25.4	17.8	12.8	-	-	-
	72	42.4	4.7	32.1	26.7	21.2	15.8	-	-	37.9	5.3	30.0	24.7	19.4	14.1	-	-
	67	38.6	4.7	38.6	33.6	28.2	22.7	17.3	-	34.5	5.2	34.5	31.2	25.9	20.6	15.4	-
	62	35.1	4.6	35.1	35.1	31.4	26.0	20.6	15.2	31.3	5.2	31.3	31.3	26.9	21.6	16.3	11.0
1400	77	47.1	4.7	28.7	20.9	15.1	-	-	-	42.4	5.3	29.0	19.5	13.8	-	-	-
	72	43.2	4.7	34.1	28.2	22.4	16.6	-	-	39.0	5.2	32.2	26.5	20.8	15.0	-	-
	67	39.4	4.6	39.4	35.5	29.7	23.9	18.1	-	35.5	5.1	35.5	33.5	27.8	22.1	16.3	-
	62	35.9	4.6	35.9	35.9	33.1	27.3	21.5	15.7	32.2	5.1	32.2	32.2	28.9	23.2	17.5	11.7
	57	37.2	4.6	37.2	37.2	35.0	29.2	23.4	17.6	34.0	5.1	34.0	34.0	31.6	25.9	20.2	14.4
1500	77	48.0	4.7	31.9	22.1	15.9	-	-	-	43.6	5.2	32.5	21.2	14.7	-	-	-
	72	44.1	4.6	36.0	29.8	23.6	17.4	-	-	40.1	5.1	34.5	28.3	22.2	16.0	-	-
	67	40.2	4.5	40.2	37.5	31.3	25.0	18.8	-	36.5	5.0	36.5	35.8	29.7	23.5	17.3	-
	62	36.6	4.5	36.6	36.6	34.9	28.6	22.4	16.2	33.1	5.0	33.1	33.1	31.0	24.8	18.6	12.4
	57	37.9	4.5	37.9	37.9	36.9	30.7	24.4	18.2	35.0	5.0	35.0	35.0	33.8	27.6	21.4	15.3
1600	77	49.0	4.6	35.0	23.3	16.7	-	-	-	44.8	5.1	36.1	22.8	15.6	-	-	-
	72	45.0	4.5	38.0	31.4	24.8	18.1	-	-	41.2	5.0	36.8	30.2	23.6	17.0	-	-
	67	41.0	4.5	41.0	39.4	32.8	26.2	19.5	-	37.5	4.9	37.5	37.5	31.5	24.9	18.3	-
	62	37.3	4.4	37.3	37.3	36.6	30.0	23.3	16.7	34.0	4.9	34.0	34.0	33.0	26.4	19.7	13.1
	57	38.7	4.4	38.7	38.7	38.7	32.1	25.4	18.8	36.0	4.9	36.0	36.0	36.0	29.3	22.7	16.1
1800	72	44.9	4.5	40.3	33.1	25.9	18.8	-	-	41.2	5.0	39.3	32.1	24.8	17.6	-	-
	67	40.9	4.5	40.9	40.2	34.4	27.2	20.0	-	37.5	4.9	37.5	37.5	33.2	26.0	18.8	-
	62	37.3	4.4	37.3	37.3	36.9	29.7	22.5	15.4	34.0	4.9	34.0	34.0	33.5	26.3	19.0	11.8
	57	38.6	4.4	38.6	38.6	38.6	31.5	24.3	17.1	35.9	4.9	35.9	35.9	35.9	28.7	21.5	14.3
2000	72	44.8	4.5	42.6	34.9	27.1	19.4	-	-	41.2	5.0	41.2	34.0	26.1	18.3	-	-
	67	40.9	4.5	40.9	40.9	36.0	28.2	20.5	-	37.5	4.9	37.5	37.5	34.9	27.1	19.2	-
	62	37.2	4.4	37.2	37.2	37.2	29.5	21.7	14.0	34.0	4.9	34.0	34.0	34.0	26.2	18.3	10.5
	57	38.6	4.4	38.6	38.6	38.6	30.8	23.1	15.4	35.9	4.9	35.9	35.9	35.9	28.1	20.2	12.4

1. These capacities are Net Capacities.
2. These ratings include the compressor, condenser fan and supply air blower motors.

BHQ060 (5.0 Ton)

Air on Evaporator Coil		Temperature of Air on Condenser Coil															
CFM	WB (°F)	Net Capacity ¹ (MBh)	Total Input (kW) ²	Sensible Capacity (MBh)						Net Capacity ¹ (MBh)	Total Input (kW) ²	Sensible Capacity (MBh)					
				Return Dry Bulb (°F)								Return Dry Bulb (°F)					
				90	85	80	75	70	65			90	85	80	75	70	65
				75°F						85°F							
1450	77	62.5	3.4	62.5	62.5	62.5	-	-	-	66.3	3.8	66.3	63.1	57.3	-	-	-
	72	59.2	3.3	59.2	59.2	59.2	59.2	-	-	60.9	3.7	60.0	54.2	48.3	42.5	-	-
	67	55.8	3.3	54.2	48.5	42.8	37.1	31.4	-	55.6	3.7	51.1	45.3	39.4	33.6	27.7	-
	62	50.0	3.2	50.0	50.0	50.0	44.5	38.8	33.1	49.6	3.6	49.6	49.6	46.5	40.7	34.8	29.0
1500	77	65.0	3.4	65.0	65.0	65.0	-	-	-	67.1	3.8	69.8	63.7	57.7	-	-	-
	72	61.4	3.3	61.4	61.4	61.4	61.4	-	-	61.7	3.7	60.8	54.7	48.7	42.6	-	-
	67	57.8	3.3	54.5	48.5	42.6	36.6	30.6	-	56.2	3.7	51.8	45.8	39.7	33.6	27.6	-
	62	51.7	3.2	51.7	51.7	49.9	43.9	37.9	32.0	50.2	3.6	50.2	50.2	46.9	40.8	34.8	28.7
1550	77	67.4	3.4	67.4	67.4	67.4	-	-	-	67.9	3.8	67.9	64.4	58.1	-	-	-
	72	63.6	3.3	63.6	63.6	63.6	62.6	-	-	62.4	3.7	61.6	55.3	49.0	42.8	-	-
	67	59.8	3.3	54.8	48.6	42.3	36.0	29.8	-	56.9	3.7	52.5	46.3	40.0	33.7	27.5	-
	62	53.5	3.2	53.5	53.5	49.6	43.4	37.1	30.8	50.8	3.6	50.8	50.8	47.2	40.9	34.7	28.4
1600	77	69.8	3.4	69.8	69.8	69.8	-	-	-	68.6	3.8	68.6	65.0	58.5	-	-	-
	72	65.8	3.3	65.8	65.8	65.8	62.4	-	-	63.1	3.7	62.3	55.9	49.4	42.9	-	-
	67	61.8	3.3	55.1	48.6	42.1	35.5	29.0	-	57.5	3.7	53.2	46.8	40.3	33.8	27.3	-
	62	55.3	3.2	55.3	55.3	49.3	42.8	36.2	29.7	51.3	3.7	51.3	51.3	47.5	41.1	34.6	28.1
1800	77	68.4	3.3	68.4	68.4	68.4	65.7	-	-	65.1	3.7	64.7	59.8	52.4	45.1	-	-
	72	64.2	3.3	60.9	52.0	44.6	37.2	29.8	-	59.3	3.7	57.2	50.1	42.8	35.4	28.1	-
	67	57.4	3.2	57.4	57.4	53.3	45.9	38.5	31.1	53.0	3.7	53.0	53.0	50.5	43.1	35.8	28.5
	62	58.5	3.2	58.5	58.5	58.5	51.1	43.7	36.3	52.6	3.6	52.6	52.6	52.6	45.2	37.9	30.6
2000	77	71.0	3.3	71.0	71.0	71.0	69.1	-	-	67.0	3.7	67.0	63.7	55.5	47.3	-	-
	72	66.6	3.3	66.6	66.6	66.6	63.9	30.7	-	61.1	3.7	61.1	53.4	45.2	37.1	28.9	-
	67	59.6	3.2	59.6	59.6	57.3	49.0	40.7	32.5	54.6	3.7	54.6	54.6	53.4	45.2	37.0	28.8
	62	60.6	3.2	60.6	60.6	60.6	52.4	44.1	35.8	54.2	3.6	54.2	54.2	54.2	46.0	37.8	29.6
				95°F						105°F							
1450	77	70.0	4.2	31.9	25.9	19.9	-	-	-	59.8	4.7	28.2	22.6	16.8	-	-	-
	72	62.7	4.1	39.9	34.0	28.0	22.0	-	-	54.7	4.7	37.0	31.2	25.4	19.6	-	-
	67	55.4	4.1	48.0	42.0	36.0	30.0	24.1	-	49.6	4.6	45.9	39.8	34.0	28.2	22.4	-
	62	49.2	4.1	49.2	49.2	42.8	36.8	30.9	24.9	44.2	4.6	44.2	44.2	39.9	34.1	28.2	22.4
1500	77	69.2	4.2	32.6	26.5	20.4	-	-	-	59.6	4.7	29.5	23.2	17.2	-	-	-
	72	61.9	4.1	40.9	34.7	28.6	22.5	-	-	54.5	4.7	38.1	32.0	26.0	20.0	-	-
	67	54.7	4.1	49.1	43.0	36.9	30.7	24.6	-	49.4	4.6	46.6	40.9	34.9	28.9	22.9	-
	62	48.6	4.1	48.6	48.6	43.8	37.7	31.6	25.4	44.1	4.6	44.1	44.1	40.9	34.9	28.9	22.9
1550	77	68.3	4.2	33.4	27.1	20.8	-	-	-	59.4	4.7	30.7	23.8	17.6	-	-	-
	72	61.2	4.2	41.8	35.5	29.3	23.0	-	-	54.3	4.7	39.1	32.9	26.7	20.5	-	-
	67	54.0	4.1	50.2	43.9	37.7	31.4	25.2	-	49.3	4.6	47.4	42.0	35.8	29.6	23.4	-
	62	48.0	4.1	48.0	48.0	44.8	38.5	32.3	26.0	44.0	4.6	44.0	44.0	42.0	35.8	29.6	23.4
1600	77	67.5	4.2	34.1	27.7	21.3	-	-	-	59.2	4.7	32.0	24.4	18.0	-	-	-
	72	60.4	4.2	42.7	36.3	29.9	23.5	-	-	54.1	4.7	40.1	33.7	27.4	21.0	-	-
	67	53.3	4.1	51.3	44.9	38.5	32.1	25.7	-	49.1	4.6	48.1	43.0	36.7	30.3	24.0	-
	62	47.4	4.1	47.4	47.4	45.8	39.4	33.0	26.6	43.8	4.6	43.8	43.8	43.0	36.7	30.3	24.0
1800	77	61.7	4.2	46.3	39.0	31.8	24.5	-	-	55.2	4.7	43.5	36.3	29.0	21.8	-	-
	72	54.5	4.1	53.5	48.2	40.9	33.6	26.4	-	50.1	4.6	49.6	46.0	38.9	31.7	24.5	-
	67	48.5	4.1	48.5	48.5	47.7	40.4	33.1	25.9	44.7	4.6	44.7	44.7	44.3	37.1	29.9	22.7
	62	46.7	4.1	46.7	46.7	46.7	39.4	32.1	24.9	43.9	4.6	43.9	43.9	43.9	36.7	29.5	22.3
2000	77	63.1	4.2	49.8	41.7	33.6	25.5	-	-	56.3	4.7	46.9	38.8	30.7	22.7	-	-
	72	55.7	4.1	55.7	51.4	43.3	35.2	27.0	-	51.1	4.6	51.1	48.9	41.2	33.1	25.1	-
	67	49.5	4.1	49.5	49.5	49.5	41.4	33.3	25.2	45.6	4.6	45.6	45.6	45.6	37.5	29.4	21.4
	62	47.7	4.0	47.7	47.7	47.7	39.5	31.4	23.3	44.8	4.6	44.8	44.8	44.8	36.7	28.7	20.6

BHQ060 (5.0 Ton) (Continued)

Air on Evaporator Coil		Temperature of Air on Condenser Coil															
CFM	WB (°F)	Net Capacity ¹ (MBh)	Total Input (kW) ²	Sensible Capacity (MBh)						Net Capacity ¹ (MBh)	Total Input (kW) ²	Sensible Capacity (MBh)					
				Return Dry Bulb (°F)								Return Dry Bulb (°F)					
				90	85	80	75	70	65			90	85	80	75	70	65
				115°F						125°F							
1450	77	49.5	5.2	24.5	19.3	13.6	-	-	-	39.3	5.8	24.6	15.9	10.4	-	-	-
	72	46.6	5.2	34.2	28.5	22.8	17.1	-	-	38.6	5.7	31.3	25.7	20.2	14.7	-	-
	67	43.8	5.1	43.8	37.7	32.0	26.3	20.6	-	38.0	5.7	38.0	35.5	30.0	24.5	18.9	-
	62	39.2	5.1	39.2	39.2	37.0	31.3	25.6	19.9	34.2	5.6	34.2	34.2	34.2	28.5	23.0	17.5
1500	77	50.0	5.2	26.3	19.9	14.0	-	-	-	40.3	5.8	26.0	16.6	10.8	-	-	-
	72	47.1	5.2	35.2	29.4	23.5	17.6	-	-	39.6	5.7	32.4	26.7	20.9	15.1	-	-
	67	44.2	5.1	44.2	38.8	32.9	27.1	21.2	-	38.9	5.6	38.9	36.8	31.0	25.2	19.4	-
	62	39.6	5.1	39.6	39.6	38.1	32.2	26.3	20.4	35.0	5.6	35.0	35.0	35.0	29.4	23.7	17.9
	57	39.8	5.1	39.8	39.8	38.3	32.4	26.6	20.7	36.3	5.6	36.3	36.3	35.7	29.9	24.1	18.3
1550	77	50.4	5.2	28.1	20.5	14.4	-	-	-	41.4	5.8	27.4	17.2	11.2	-	-	-
	72	47.5	5.2	36.3	30.2	24.1	18.0	-	-	40.6	5.7	33.6	27.6	21.6	15.6	-	-
	67	44.5	5.1	44.5	40.0	33.9	27.8	21.7	-	39.8	5.6	39.8	38.0	32.0	26.0	20.0	-
	62	39.9	5.1	39.9	39.9	39.2	33.1	27.0	20.9	35.8	5.6	35.8	35.8	35.8	30.3	24.3	18.3
	57	40.2	5.1	40.2	40.2	39.4	33.3	27.2	21.1	37.2	5.6	37.2	37.2	36.8	30.8	24.8	18.8
1600	77	50.8	5.2	29.9	21.1	14.8	-	-	-	42.5	5.7	28.8	17.8	11.5	-	-	-
	72	47.9	5.2	37.4	31.1	24.8	18.5	-	-	41.6	5.7	34.8	28.5	22.3	16.0	-	-
	67	44.9	5.1	44.9	41.1	34.8	28.5	22.2	-	40.7	5.6	40.7	39.2	33.0	26.7	20.5	-
	62	40.3	5.1	40.3	40.3	40.3	33.9	27.6	21.3	36.7	5.6	36.7	36.7	36.7	31.2	25.0	18.7
	57	40.5	5.1	40.5	40.5	40.5	34.2	27.9	21.6	38.0	5.6	38.0	38.0	38.0	31.7	25.5	19.2
1800	72	48.7	5.2	40.7	33.5	26.3	19.2	-	-	42.2	5.7	37.9	30.8	23.6	16.5	-	-
	67	45.7	5.1	45.7	43.8	37.0	29.8	22.7	-	41.3	5.6	41.3	41.3	35.0	27.9	20.8	-
	62	41.0	5.1	41.0	41.0	41.0	33.8	26.6	19.4	37.2	5.6	37.2	37.2	37.2	30.5	23.4	16.2
	57	41.2	5.1	41.2	41.2	41.2	34.1	26.9	19.7	38.5	5.6	38.5	38.5	38.5	31.4	24.3	17.2
2000	72	49.6	5.2	44.0	35.9	27.9	19.9	-	-	42.8	5.7	41.0	33.0	25.0	17.0	-	-
	67	46.5	5.1	46.5	46.5	39.2	31.1	23.1	-	41.9	5.6	41.9	41.9	37.1	29.1	21.1	-
	62	41.7	5.1	41.7	41.7	41.7	33.6	25.6	17.6	37.7	5.6	37.7	37.7	37.7	29.7	21.7	13.7
	57	41.9	5.1	41.9	41.9	41.9	33.9	25.9	17.8	39.1	5.6	39.1	39.1	39.1	31.1	23.1	15.1

1. These capacities are Net Capacities.
2. These ratings include the compressor, condenser fan and supply air blower motors.

BHX024-060 Cooling Capacities

BHX024 (2.0 Ton)

Air on Evaporator Coil		Temperature of Air on Condenser Coil																	
CFM	WB (°F)	Net Capacity ¹ (MBh)	Total Input (kW) ²	Sensible Capacity (MBh)						Net Capacity ¹ (MBh)	Total Input (kW) ²	Sensible Capacity (MBh)							
				Return Dry Bulb (°F)								Return Dry Bulb (°F)							
				90	85	80	75	70	65			90	85	80	75	70	65		
		75°F									85°F								
600	77	26.8	1.1	14.8	11.4	8.4	-	-	-	24.6	1.2	15.2	10.8	7.8	-	-			
	72	24.1	1.1	18.1	15.0	12.0	9.0	-	-	22.1	1.2	17.4	14.4	11.3	8.3	-			
	67	21.4	1.0	21.4	18.7	15.6	12.6	9.6	-	19.7	1.2	19.7	17.9	14.9	11.8	8.8			
	62	19.6	1.1	19.6	19.6	19.1	16.1	13.0	10.0	18.1	1.2	18.1	18.1	17.8	14.7	11.7	8.6		
	57	19.4	1.1	19.4	19.4	19.2	16.2	13.1	10.1	17.9	1.2	17.9	17.9	17.7	14.6	11.6	8.5		
800	77	34.1	1.8	17.5	15.3	11.6	-	-	-	32.0	1.9	18.3	14.5	10.8	-	-			
	72	31.3	1.7	23.0	19.3	15.6	12.0	-	-	29.2	1.9	22.3	18.6	14.9	11.2	-			
	67	28.5	1.6	28.5	23.3	19.7	16.0	12.3	-	26.4	1.8	26.4	22.7	19.0	15.3	11.6			
	62	25.3	1.6	25.3	25.3	24.8	21.1	17.4	13.8	23.6	1.8	23.6	23.6	23.2	19.5	15.8	12.1		
	57	25.0	1.6	25.0	25.0	25.1	21.4	17.8	15.0	23.6	1.8	23.6	23.6	23.4	19.7	16.0	12.7		
		95°F									105°F								
600	77	22.4	1.4	15.5	10.2	7.2	-	-	-	20.7	1.6	17.3	12.0	6.6	-	-			
	72	20.2	1.4	16.8	13.7	10.6	7.5	-	-	18.3	1.6	16.6	13.8	9.9	6.1	-			
	67	18.0	1.4	18.0	17.2	14.1	11.0	7.9	-	16.0	1.6	16.0	15.5	13.3	9.5	5.6			
	62	16.7	1.4	16.7	16.7	16.4	13.4	10.3	7.2	15.3	1.6	15.3	15.3	15.2	11.4	7.6	7.2		
	57	16.5	1.4	16.5	16.5	16.2	13.1	10.0	7.0	15.0	1.6	15.0	15.0	14.7	10.8	7.0	7.0		
800	77	29.8	2.1	19.0	13.8	10.0	-	-	-	27.3	2.4	19.6	13.1	9.1	-	-			
	72	27.1	2.1	21.7	17.9	14.2	10.4	-	-	24.8	2.3	20.9	17.1	13.3	9.5	-			
	67	24.4	2.0	24.4	22.1	18.4	14.6	10.8	-	22.3	2.3	22.3	21.1	17.5	13.7	9.9			
	62	22.0	2.0	22.0	22.0	21.7	17.9	14.1	10.4	20.4	2.3	20.4	20.4	20.1	16.3	12.5	8.7		
	57	22.3	2.0	22.3	22.3	21.7	17.9	14.1	10.4	20.7	2.3	20.7	20.7	20.1	16.3	12.5	8.7		
		115°F																	
600	77	19.0	1.8	19.0	13.8	6.1	-	-	-										
	72	16.5	1.8	16.5	13.8	9.3	4.7	-	-										
	67	13.9	1.8	13.9	13.9	12.5	7.9	3.4	-										
	62	13.9	1.8	13.9	13.9	13.9	9.4	4.8	-										
	57	13.5	1.9	13.5	13.5	13.1	8.6	4.0	-										
800	77	24.8	2.6	20.1	12.4	8.3	-	-	-										
	72	22.5	2.6	20.1	16.3	12.4	8.6	-	-										
	67	20.1	2.6	20.1	20.1	16.6	12.8	8.9	-										
	62	18.8	2.5	18.8	18.8	18.6	14.7	10.9	7.0										
	57	19.1	2.5	19.1	19.1	18.6	14.7	10.9	7.0										

1. These capacities are Net Capacities.
2. These ratings include the compressor, condenser fan and supply air blower motors.

BHX036 (3.0 Ton)

Air on Evaporator Coil		Temperature of Air on Condenser Coil																	
		Net Capacity ¹ (MBh)	Total Input (kW) ²	Sensible Capacity (MBh)						Net Capacity ¹ (MBh)	Total Input (kW) ²	Sensible Capacity (MBh)							
				Return Dry Bulb (°F)								Return Dry Bulb (°F)							
CFM	WB (°F)			90	85	80	75	70	65			90	85	80	75	70	65		
		75°F									85°F								
900	77	36.8	1.5	20.7	16.2	11.9	-	-	-	34.2	1.7	21.5	15.2	11.0	-	-	-		
	72	33.8	1.5	25.7	21.5	17.3	13.1	-	-	31.0	1.8	24.7	20.5	16.3	12.1	-	-		
	67	30.8	1.5	30.8	26.8	22.6	18.4	14.2	-	27.9	1.8	27.9	25.8	21.6	17.4	13.2	-		
	62	28.3	1.5	28.3	28.3	28.3	24.1	19.8	15.6	26.1	1.8	26.1	26.1	26.1	21.9	17.7	13.5		
	57	28.1	1.5	28.1	28.1	28.2	23.9	19.7	15.5	26.3	1.7	26.3	26.3	26.2	22.0	17.8	13.6		
1200	77	49.8	2.7	24.5	20.9	15.9	-	-	-	46.0	2.9	24.9	19.4	14.5	-	-	-		
	72	44.7	2.6	32.0	27.1	22.1	17.2	-	-	41.5	2.8	30.9	26.0	21.0	16.0	-	-		
	67	39.5	2.4	39.5	33.3	28.4	23.4	18.5	-	37.0	2.7	37.0	32.5	27.5	22.5	17.6	-		
	62	36.5	2.3	36.5	36.5	35.8	30.9	25.9	21.0	34.2	2.6	34.2	34.2	33.9	28.9	23.9	18.9		
	57	36.6	2.3	36.6	36.6	36.5	31.5	26.6	23.9	34.3	2.6	34.3	34.3	34.2	29.2	24.2	20.4		
		95°F									105°F								
900	77	31.5	2.0	22.4	14.2	10.1	-	-	-	28.3	2.2	23.1	14.7	9.0	-	-	-		
	72	28.2	2.0	23.7	19.5	15.3	11.2	-	-	25.3	2.3	22.8	18.5	14.3	10.1	-	-		
	67	25.0	2.0	25.0	24.8	20.6	16.4	12.2	-	22.4	2.3	22.4	22.3	19.6	15.3	11.1	-		
	62	24.0	2.0	24.0	24.0	24.0	19.8	15.7	11.5	21.7	2.2	21.7	21.7	21.8	17.5	13.3	9.0		
	57	24.5	2.0	24.5	24.5	24.2	20.0	15.8	11.7	22.4	2.2	22.4	22.4	22.0	17.8	13.6	9.3		
1200	77	42.1	3.1	25.3	18.0	13.0	-	-	-	37.9	3.4	25.6	17.1	12.2	-	-	-		
	72	38.2	3.0	29.9	24.8	19.8	14.8	-	-	34.6	3.4	28.5	23.6	18.7	13.8	-	-		
	67	34.4	3.0	34.4	31.7	26.7	21.7	16.7	-	31.4	3.3	31.4	30.0	25.2	20.3	15.4	-		
	62	31.9	2.9	31.9	31.9	31.9	26.9	21.9	16.9	29.5	3.2	29.5	29.5	29.5	24.6	19.7	14.8		
	57	31.9	2.9	31.9	31.9	31.9	26.9	21.9	16.9	29.6	3.2	29.6	29.6	29.6	24.7	19.8	14.9		
		115°F																	
900	77	25.0	2.5	23.8	15.2	8.0	-	-	-										
	72	22.5	2.5	21.9	17.6	13.3	9.0	-	-										
	67	19.9	2.5	19.9	19.9	18.5	14.2	9.9	-										
	62	19.5	2.5	19.5	19.5	19.5	15.2	10.9	6.6										
	57	20.4	2.5	20.4	20.4	19.9	15.6	11.3	7.0										
1200	77	33.7	3.8	25.8	16.3	11.4	-	-	-										
	72	31.0	3.7	27.1	22.3	17.5	12.7	-	-										
	67	28.4	3.7	28.4	28.4	23.7	18.9	14.1	-										
	62	27.1	3.6	27.1	27.1	27.1	22.4	17.6	12.8										
	57	27.3	3.6	27.3	27.3	27.3	22.5	17.7	12.9										

1. These capacities are Net Capacities.
2. These ratings include the compressor, condenser fan and supply air blower motors.

BHX048 (4.0 Ton)

Air on Evaporator Coil		Temperature of Air on Condenser Coil															
CFM	WB (°F)	Net Capacity ¹ (MBh)	Total Input (kW) ²	Sensible Capacity (MBh)						Net Capacity ¹ (MBh)	Total Input (kW) ²	Sensible Capacity (MBh)					
				Return Dry Bulb (°F)								Return Dry Bulb (°F)					
				90	85	80	75	70	65			90	85	80	75	70	65
				75°F						85°F							
1050	77	47.4	2.2	25.0	20.4	15.4	-	-	-	43.6	2.4	24.5	19.1	14.1	-	-	-
	72	42.5	2.2	31.3	26.3	21.3	16.3	-	-	39.6	2.5	30.0	25.0	19.9	14.9	-	-
	67	37.6	2.3	37.6	32.1	27.1	22.1	17.1	-	35.5	2.6	35.5	30.8	25.8	20.8	15.8	-
	62	33.3	2.5	33.3	33.3	31.9	26.9	21.9	16.9	31.0	2.8	31.0	31.0	30.1	25.1	20.0	15.0
	57	34.0	2.3	34.0	34.0	33.7	28.6	23.6	18.6	32.0	2.6	32.0	32.0	31.7	26.7	21.7	16.6
1600	77	66.1	3.9	29.2	24.8	18.0	-	-	-	62.6	4.1	31.5	24.3	17.4	-	-	-
	72	60.2	3.7	41.7	34.9	28.0	21.1	-	-	56.7	3.9	41.2	34.2	27.2	20.2	-	-
	67	54.3	3.5	54.3	44.9	38.0	31.1	24.3	-	50.8	3.8	50.8	44.0	37.0	30.0	23.1	-
	62	48.4	3.6	48.4	48.4	49.4	42.5	35.6	28.7	46.5	3.9	46.5	46.5	46.5	39.5	32.6	25.6
	57	53.5	3.6	53.5	53.5	48.8	41.9	35.0	32.8	50.5	3.9	50.5	50.5	46.0	39.0	32.1	27.4
				95°F						105°F							
1050	77	39.9	2.7	24.0	17.8	12.7	-	-	-	36.8	3.1	23.8	16.4	11.6	-	-	-
	72	36.6	2.8	28.7	23.7	18.6	13.6	-	-	33.5	3.1	27.0	22.3	17.5	12.8	-	-
	67	33.4	2.8	33.4	29.6	24.5	19.5	14.5	-	30.1	3.1	30.1	28.1	23.4	18.7	14.0	-
	62	28.8	3.1	28.8	28.8	28.2	23.2	18.1	13.1	26.6	3.4	26.6	26.6	26.1	21.3	16.6	11.9
	57	30.1	2.8	30.1	30.1	29.7	24.7	19.7	14.6	27.9	3.2	27.9	27.9	27.5	22.8	18.1	13.4
1600	77	59.0	4.2	33.8	23.9	16.8	-	-	-	53.4	4.6	34.7	22.5	15.2	-	-	-
	72	53.2	4.2	40.6	33.5	26.4	19.3	-	-	48.4	4.6	39.1	31.9	24.7	17.6	-	-
	67	47.4	4.2	47.4	43.1	36.0	29.0	21.9	-	43.5	4.6	43.5	41.3	34.3	27.1	20.0	-
	62	44.7	4.2	44.7	44.7	43.7	36.6	29.5	22.4	42.1	4.5	42.1	42.1	40.3	33.2	26.0	18.8
	57	47.5	4.2	47.5	47.5	43.2	36.2	29.1	22.0	44.3	4.5	44.3	44.3	40.1	33.0	25.8	18.7
				115°F													
1050	77	33.8	3.4	23.6	15.0	10.5	-	-	-								
	72	30.4	3.4	25.3	20.8	16.4	12.0	-	-								
	67	26.9	3.5	26.9	26.7	22.3	17.9	13.5	-								
	62	24.4	3.7	24.4	24.4	23.9	19.5	15.1	10.7								
	57	25.7	3.5	25.7	25.7	25.3	20.9	16.5	12.1								
1600	77	47.8	4.9	35.5	21.1	13.6	-	-	-								
	72	43.7	4.9	37.5	30.3	23.1	15.8	-	-								
	67	39.5	5.0	39.5	39.5	32.5	25.3	18.1	-								
	62	39.6	4.9	39.6	39.6	37.0	29.7	22.5	15.3								
	57	41.2	4.9	41.2	41.2	37.0	29.8	22.6	15.4								

1. These capacities are Net Capacities.
2. These ratings include the compressor, condenser fan and supply air blower motors.

BHX060 (5.0 Ton)

Air on Evaporator Coil		Temperature of Air on Condenser Coil															
CFM	WB (°F)	Net Capacity ¹ (MBh)	Total Input (kW) ²	Sensible Capacity (MBh)						Net Capacity ¹ (MBh)	Total Input (kW) ²	Sensible Capacity (MBh)					
				Return Dry Bulb (°F)								Return Dry Bulb (°F)					
				90	85	80	75	70	65			90	85	80	75	70	65
				75°F						85°F							
1200	77	55.4	2.6	27.9	22.7	17.5	-	-	-	52.0	3.0	26.9	21.7	16.4	-	-	-
	72	50.6	2.7	34.5	29.3	24.1	18.9	-	-	47.3	3.0	33.4	28.1	22.9	17.6	-	-
	67	45.8	2.7	41.0	35.8	30.7	25.5	20.3	-	42.6	3.0	39.8	34.6	29.3	24.1	18.8	-
	62	40.8	2.6	40.8	40.8	37.1	31.9	26.8	21.6	38.3	3.0	38.3	38.3	35.9	30.7	25.4	20.2
	57	40.1	2.6	40.1	40.1	39.4	34.2	29.1	23.9	38.0	3.1	38.0	38.0	37.2	32.0	26.7	21.5
1700	77	77.6	4.5	37.0	30.4	23.7	-	-	-	72.6	4.9	36.1	29.4	22.6	-	-	-
	72	71.5	4.4	46.1	39.5	32.9	26.2	-	-	66.9	4.8	45.0	38.3	31.5	24.8	-	-
	67	65.4	4.2	55.3	48.6	42.0	35.4	28.7	-	61.2	4.7	54.0	47.2	40.5	33.7	27.0	-
	62	59.3	4.1	59.3	59.3	53.5	46.8	40.2	33.6	55.6	4.5	55.6	55.6	51.2	44.4	37.7	30.9
	57	57.6	4.1	57.6	57.6	56.3	49.7	43.1	40.3	54.6	4.6	54.6	54.6	53.3	46.5	39.8	34.9
				95°F						105°F							
1200	77	48.5	3.5	25.9	20.6	15.3	-	-	-	44.5	3.9	23.4	18.6	14.0	-	-	-
	72	44.0	3.4	32.2	26.9	21.6	16.4	-	-	40.2	3.9	29.4	24.8	20.2	15.6	-	-
	67	39.4	3.4	38.6	33.3	28.0	22.7	17.4	-	35.8	3.9	35.4	31.0	26.4	21.8	17.2	-
	62	35.8	3.4	35.8	35.8	34.7	29.4	24.1	18.8	33.0	3.8	33.0	33.0	32.5	27.9	23.3	18.7
	57	35.8	3.5	35.8	35.8	35.0	29.7	24.4	19.1	32.9	4.0	32.9	32.9	32.0	27.4	22.8	18.2
1700	77	67.5	5.3	35.2	28.4	21.5	-	-	-	62.6	6.0	33.7	26.1	19.2	-	-	-
	72	62.3	5.2	44.0	37.1	30.2	23.4	-	-	57.6	5.8	42.1	35.2	28.3	21.5	-	-
	67	57.1	5.1	52.7	45.8	39.0	32.1	25.2	-	52.7	5.7	50.5	44.3	37.4	30.6	23.7	-
	62	51.9	5.0	51.9	51.9	48.9	42.0	35.2	28.3	48.3	5.6	48.3	48.3	46.5	39.7	32.8	25.9
	57	51.6	5.1	51.6	51.6	50.2	43.4	36.5	29.6	48.1	5.7	48.1	48.1	46.8	39.9	33.0	26.1
				115°F													
1200	77	40.5	4.4	21.0	16.6	12.7	-	-	-								
	72	36.3	4.4	26.6	22.7	18.8	14.9	-	-								
	67	32.2	4.3	32.2	28.8	24.9	21.0	17.1	-								
	62	30.2	4.3	30.2	30.2	30.2	26.3	22.4	18.5								
	57	30.0	4.6	30.0	30.0	29.1	25.2	21.3	17.4								
1700	77	57.7	6.7	32.1	23.8	17.0	-	-	-								
	72	53.0	6.5	40.2	33.3	26.4	19.5	-	-								
	67	48.3	6.2	48.3	42.8	35.9	29.0	22.1	-								
	62	44.6	6.1	44.6	44.6	44.2	37.3	30.4	23.5								
	57	44.6	6.3	44.6	44.6	43.3	36.4	29.5	22.6								

1. These capacities are Net Capacities.
2. These ratings include the compressor, condenser fan and supply air blower motors.

Heating Capacities

BHZ024-060

Model (Tons)	Air Over Evaporator Coil		Capacity ¹ & kW ²	Outdoor Temperature (°F @ 72% RH)							
	CFM	DB (°F)		-10	0	10	20	30	40	50	60
BHZ024 (2.0)	600	55	MBH	4.86	6.37	8.30	10.78	13.98	18.11	23.43	30.30
			KW	1.29	1.37	1.45	1.52	1.60	1.67	1.75	1.82
		70	MBH	2.79	4.28	6.21	8.69	11.89	16.02	21.34	28.21
			KW	1.51	1.58	1.66	1.74	1.81	1.89	1.96	2.04
		80	MBH	1.62	3.11	5.03	7.52	10.72	14.84	20.17	27.04
			KW	1.68	1.76	1.83	1.91	1.98	2.06	2.13	2.21
	700	55	MBH	6.05	7.55	9.48	11.96	15.16	19.29	24.61	31.48
			KW	1.29	1.37	1.44	1.52	1.59	1.67	1.74	1.82
		70	MBH	3.97	5.46	7.39	9.87	13.07	17.20	22.52	29.39
			KW	1.51	1.58	1.66	1.73	1.81	1.88	1.96	2.03
		80	MBH	2.80	4.29	6.21	8.69	11.90	16.02	21.35	28.22
			KW	1.68	1.75	1.83	1.90	1.98	2.05	2.13	2.21
	800	55	MBH	7.24	8.73	10.65	13.14	16.34	20.47	25.79	32.66
			KW	1.29	1.36	1.44	1.51	1.59	1.66	1.74	1.81
		70	MBH	5.15	6.64	8.56	11.05	14.25	18.38	23.70	30.57
			KW	1.50	1.58	1.65	1.73	1.80	1.88	1.95	2.03
		80	MBH	3.98	5.47	7.39	9.87	13.07	17.20	22.53	29.39
			KW	1.67	1.75	1.83	1.90	1.98	2.05	2.13	2.20
	900	55	MBH	8.43	9.91	11.83	14.32	17.52	21.64	26.97	33.84
			KW	1.28	1.36	1.43	1.51	1.58	1.66	1.73	1.81
		70	MBH	6.33	7.82	9.74	12.23	15.43	19.55	24.88	31.75
			KW	1.50	1.57	1.65	1.72	1.80	1.87	1.95	2.02
		80	MBH	5.15	6.65	8.57	11.05	14.25	18.38	23.71	30.57
			KW	1.67	1.75	1.82	1.90	1.97	2.05	2.12	2.20
1000	55	MBH	9.61	11.09	13.01	15.49	18.70	22.82	28.15	35.02	
		KW	1.28	1.35	1.43	1.50	1.58	1.65	1.73	1.81	
	70	MBH	7.51	9.00	10.92	13.40	16.61	20.73	26.06	32.93	
		KW	1.49	1.57	1.64	1.72	1.79	1.87	1.94	2.02	
	80	MBH	6.33	7.83	9.75	12.23	15.43	19.56	24.88	31.75	
		KW	1.67	1.74	1.82	1.89	1.97	2.04	2.12	2.19	
BHZ030 (2.5)	750	55	MBH	12.14	13.95	16.07	18.55	21.46	24.87	28.85	33.52
			KW	1.68	1.73	1.79	1.85	1.91	1.97	2.03	2.09
		70	MBH	9.98	11.80	13.92	16.40	19.31	22.71	26.70	31.36
			KW	1.95	2.01	2.07	2.13	2.19	2.25	2.31	2.36
		80	MBH	9.05	10.86	12.99	15.47	18.38	21.78	25.77	30.43
			KW	2.31	2.37	2.42	2.48	2.54	2.60	2.66	2.72
	875	55	MBH	12.39	14.20	16.33	18.81	21.72	25.12	29.11	33.77
			KW	1.67	1.73	1.79	1.85	1.91	1.97	2.02	2.08
		70	MBH	10.24	12.05	14.17	16.66	19.57	22.97	26.96	31.62
			KW	1.95	2.01	2.07	2.13	2.19	2.24	2.30	2.36
		80	MBH	9.31	11.12	13.24	15.72	18.63	22.04	26.02	30.69
			KW	2.30	2.36	2.42	2.48	2.54	2.60	2.66	2.72
	1000	55	MBH	12.77	14.59	16.71	19.19	22.10	25.50	29.49	34.15
			KW	1.67	1.73	1.78	1.84	1.90	1.96	2.02	2.08
		70	MBH	10.62	12.44	14.56	17.04	19.95	23.35	27.34	32.00
			KW	1.95	2.00	2.06	2.12	2.18	2.24	2.30	2.36
		80	MBH	9.69	11.50	13.62	16.11	19.02	22.42	26.40	31.07
			KW	2.30	2.36	2.42	2.48	2.53	2.59	2.65	2.71
	1125	55	MBH	13.35	15.16	17.28	19.77	22.68	26.08	30.06	34.73
			KW	1.66	1.72	1.78	1.84	1.90	1.95	2.01	2.07
		70	MBH	11.20	13.01	15.13	17.62	20.52	23.93	27.91	32.58
			KW	1.94	2.00	2.06	2.11	2.17	2.23	2.29	2.35
		80	MBH	10.26	12.08	14.20	16.68	19.59	22.99	26.98	31.64
			KW	2.29	2.35	2.41	2.47	2.53	2.59	2.64	2.70
1250	55	MBH	13.73	15.55	17.67	20.15	23.06	26.46	30.45	35.11	
		KW	1.66	1.71	1.77	1.83	1.89	1.95	2.01	2.07	
	70	MBH	11.58	13.39	15.52	18.00	20.91	24.31	28.30	32.96	
		KW	1.93	1.99	2.05	2.11	2.17	2.23	2.29	2.35	
	80	MBH	10.65	12.46	14.58	17.07	19.97	23.38	27.36	32.03	
		KW	2.29	2.35	2.41	2.46	2.52	2.58	2.64	2.70	

BHZ024-060 (Continued)

Model (Tons)	Air Over Evaporator Coil		Capacity ¹ & kW ²	Outdoor Temperature (°F @ 72% RH)							
	CFM	DB (°F)		-10	0	10	20	30	40	50	60
BHZ036 (3.0)	900	55	MBH	11.61	13.92	16.68	19.98	23.94	28.67	34.32	41.09
			KW	1.98	2.15	2.32	2.49	2.65	2.82	2.99	3.16
		70	MBH	10.65	12.96	15.72	19.02	22.98	27.71	33.37	40.14
			KW	2.34	2.51	2.68	2.85	3.02	3.19	3.36	3.53
		80	MBH	9.30	11.61	14.37	17.67	21.63	26.36	32.02	38.79
			KW	2.62	2.79	2.95	3.12	3.29	3.46	3.63	3.80
	1050	55	MBH	11.98	14.29	17.05	20.36	24.31	29.04	34.70	41.47
			KW	1.94	2.11	2.28	2.45	2.61	2.78	2.95	3.12
		70	MBH	11.02	13.33	16.09	19.40	23.35	28.08	33.74	40.51
			KW	2.30	2.47	2.64	2.81	2.98	3.15	3.32	3.49
		80	MBH	9.67	11.98	14.74	18.05	22.00	26.73	32.39	39.16
			KW	2.58	2.75	2.91	3.08	3.25	3.42	3.59	3.76
	1200	55	MBH	12.72	15.03	17.80	21.10	25.05	29.78	35.44	42.21
			KW	1.86	2.03	2.20	2.37	2.53	2.70	2.87	3.04
		70	MBH	11.77	14.07	16.84	20.14	24.10	28.83	34.48	41.25
			KW	2.22	2.39	2.56	2.73	2.90	3.07	3.24	3.41
		80	MBH	10.42	12.72	15.49	18.79	22.75	27.48	33.13	39.90
			KW	2.50	2.67	2.83	3.00	3.17	3.34	3.51	3.68
	1350	55	MBH	13.10	15.41	18.17	21.47	25.43	30.16	35.81	42.58
			KW	1.82	1.99	2.16	2.33	2.49	2.66	2.83	3.00
		70	MBH	12.14	14.45	17.21	20.51	24.47	29.20	34.86	41.63
			KW	2.18	2.35	2.52	2.69	2.86	3.03	3.20	3.37
		80	MBH	10.79	13.10	15.86	19.16	23.12	27.85	33.51	40.28
			KW	2.46	2.63	2.79	2.96	3.13	3.30	3.47	3.64
1500	55	MBH	13.28	15.59	18.35	21.66	25.61	30.34	36.00	42.77	
		KW	1.80	1.97	2.14	2.31	2.47	2.64	2.81	2.98	
	70	MBH	12.32	14.63	17.40	20.70	24.65	29.38	35.04	41.81	
		KW	2.16	2.33	2.50	2.67	2.84	3.01	3.18	3.35	
	80	MBH	10.97	13.28	16.05	19.35	23.30	28.03	33.69	40.46	
		KW	2.44	2.61	2.77	2.94	3.11	3.28	3.45	3.62	
BHZ042 (3.5)	1050	55	MBH	14.34	17.01	20.13	23.79	28.08	33.09	38.97	45.85
			KW	2.20	2.43	2.66	2.89	3.12	3.34	3.57	3.80
		70	MBH	14.60	17.27	20.39	24.05	28.34	33.36	39.23	46.11
			KW	2.72	2.95	3.18	3.41	3.63	3.86	4.09	4.32
		80	MBH	13.11	15.77	18.90	22.56	26.84	31.86	37.74	44.62
			KW	3.13	3.35	3.58	3.81	4.04	4.27	4.49	4.72
	1225	55	MBH	14.84	17.51	20.63	24.29	28.58	33.59	39.47	46.35
			KW	2.09	2.32	2.55	2.78	3.00	3.23	3.46	3.69
		70	MBH	15.10	17.77	20.89	24.55	28.84	33.86	39.73	46.61
			KW	2.61	2.84	3.07	3.29	3.52	3.75	3.98	4.21
		80	MBH	13.61	16.27	19.40	23.06	27.34	32.36	38.24	45.12
			KW	3.01	3.24	3.47	3.70	3.93	4.15	4.38	4.61
	1400	55	MBH	15.34	18.01	21.13	24.79	29.08	34.09	39.97	46.85
			KW	1.98	2.21	2.44	2.66	2.89	3.12	3.35	3.57
		70	MBH	15.60	18.27	21.39	25.05	29.34	34.35	40.23	47.11
			KW	2.50	2.73	2.95	3.18	3.41	3.64	3.86	4.09
		80	MBH	14.11	16.77	19.90	23.56	27.84	32.86	38.74	45.62
			KW	2.90	3.13	3.36	3.59	3.81	4.04	4.27	4.50
	1575	55	MBH	15.54	18.21	21.33	24.99	29.28	34.29	40.17	47.05
			KW	1.93	2.16	2.39	2.62	2.85	3.07	3.30	3.53
		70	MBH	15.80	18.47	21.59	25.25	29.54	34.55	40.43	47.31
			KW	2.45	2.68	2.91	3.14	3.36	3.59	3.82	4.05
		80	MBH	14.31	16.97	20.10	23.76	28.04	33.06	38.94	45.82
			KW	2.86	3.08	3.31	3.54	3.77	4.00	4.22	4.45
1750	55	MBH	15.62	18.29	21.41	25.07	29.35	34.37	40.25	47.13	
		KW	1.92	2.14	2.37	2.60	2.83	3.06	3.28	3.51	
	70	MBH	15.88	18.55	21.67	25.33	29.62	34.63	40.51	47.39	
		KW	2.43	2.66	2.89	3.12	3.35	3.57	3.80	4.03	
	80	MBH	14.39	17.05	20.18	23.84	28.12	33.14	39.02	45.90	
		KW	2.84	3.07	3.29	3.52	3.75	3.98	4.21	4.43	

BHZ024-060 (Continued)

Model (Tons)	Air Over Evaporator Coil		Capacity ¹ & kW ²	Outdoor Temperature (°F @ 72% RH)							
	CFM	DB (°F)		-10	0	10	20	30	40	50	60
BHZ048 (4.0)	1200	55	MBH	13.6	18.6	23.6	28.6	33.6	38.6	43.6	48.6
			KW	2.28	2.45	2.63	2.81	2.99	3.16	3.34	3.52
		70	MBH	12.0	17.0	22.0	27.0	32.0	37.0	42.0	47.0
			KW	2.81	2.99	3.16	3.34	3.52	3.70	3.87	4.05
		80	MBH	9.4	14.4	19.4	24.4	29.4	34.4	39.4	44.4
			KW	3.19	3.37	3.55	3.72	3.90	4.08	4.26	4.44
	1400	55	MBH	15.40	20.40	25.40	30.40	35.40	40.40	45.40	50.40
			KW	2.16	2.34	2.52	2.70	2.87	3.05	3.23	3.41
		70	MBH	13.85	18.85	23.85	28.85	33.85	38.86	43.86	48.86
			KW	2.70	2.87	3.05	3.23	3.41	3.58	3.76	3.94
		80	MBH	11.18	16.19	21.19	26.19	31.19	36.19	41.19	46.19
			KW	3.08	3.26	3.44	3.61	3.79	3.97	4.15	4.32
	1600	55	MBH	17.21	22.2	27.2	32.2	37.2	42.2	47.2	52.2
			KW	2.05	2.23	2.40	2.58	2.76	2.94	3.11	3.29
		70	MBH	15.7	20.7	25.7	30.7	35.7	40.7	45.7	50.7
			KW	2.58	2.76	2.94	3.12	3.29	3.47	3.65	3.83
		80	MBH	13.0	18.0	23.0	28.0	33.0	38.0	43.0	48.0
			KW	2.97	3.15	3.33	3.50	3.68	3.86	4.04	4.21
	1800	55	MBH	19.04	24.04	29.04	34.04	39.04	44.04	49.04	54.05
			KW	1.94	2.11	2.29	2.47	2.65	2.82	3.00	3.18
		70	MBH	17.49	22.49	27.49	32.49	37.50	42.50	47.50	52.50
			KW	2.47	2.65	2.82	3.00	3.18	3.36	3.54	3.71
		80	MBH	14.83	19.83	24.83	29.83	34.83	39.83	44.83	49.83
			KW	2.85	3.03	3.21	3.39	3.57	3.74	3.92	4.10
2000	55	MBH	20.9	25.9	30.9	35.9	40.9	45.9	50.9	55.9	
		KW	1.82	2.00	2.18	2.36	2.53	2.71	2.89	3.07	
	70	MBH	19.3	24.3	29.3	34.3	39.3	44.3	49.3	54.3	
		KW	2.36	2.53	2.71	2.89	3.07	3.24	3.42	3.60	
	80	MBH	16.6	21.6	26.6	31.6	36.6	41.6	46.6	51.6	
		KW	2.74	2.92	3.09	3.27	3.45	3.63	3.81	3.98	
BHZ060 (5.0)	1500	55	MBH	12.9	20.1	27.2	34.3	41.5	48.6	55.7	62.9
			KW	2.93	3.05	3.17	3.30	3.42	3.54	3.66	3.78
		70	MBH	10.6	17.7	24.8	32.0	39.1	46.2	53.4	60.5
			KW	3.51	3.63	3.75	3.87	4.00	4.12	4.24	4.36
		80	MBH	9.6	16.7	23.8	31.0	38.1	45.2	52.4	59.5
			KW	3.94	4.06	4.18	4.30	4.43	4.55	4.67	4.79
	1750	55	MBH	13.8	20.9	28.0	35.2	42.3	49.4	56.6	63.7
			KW	2.76	2.88	3.00	3.13	3.25	3.37	3.49	3.61
		70	MBH	36.4	38.2	45.1	27.4	31.3	33.1	58.5	41.4
			KW	3.77	3.80	3.91	3.61	3.68	3.71	4.14	3.85
		80	MBH	10.4	17.6	24.7	31.8	38.9	46.1	53.2	60.3
			KW	3.77	3.89	4.02	4.14	4.26	4.38	4.50	4.62
	2000	55	MBH	14.6	21.8	28.9	36.0	43.1	50.3	57.4	64.5
			KW	2.59	2.71	2.83	2.95	3.08	3.20	3.32	3.44
		70	MBH	62.2	58.6	65.4	22.8	23.6	19.9	63.7	22.3
			KW	4.02	3.96	4.07	3.35	3.36	3.30	4.05	3.34
		80	MBH	11.3	18.4	25.5	32.7	39.8	46.9	54.1	61.2
			KW	3.61	3.73	3.85	3.97	4.09	4.21	4.33	4.45
	2250	55	MBH	15.5	22.6	29.7	36.9	44.0	51.1	58.2	65.4
			KW	2.42	2.54	2.66	2.79	2.91	3.03	3.15	3.27
		70	MBH	38.1	39.8	46.8	29.1	33.0	34.8	60.2	43.1
			KW	3.43	3.46	3.57	3.27	3.34	3.37	3.80	3.51
		80	MBH	12.1	19.2	26.4	33.5	40.6	47.8	54.9	62.0
			KW	3.43	3.55	3.68	3.80	3.92	4.04	4.16	4.28
2500	55	MBH	16.3	23.4	30.6	37.7	44.8	52.0	59.1	66.2	
		KW	2.25	2.37	2.49	2.62	2.74	2.86	2.98	3.10	
	70	MBH	13.9	21.1	28.2	35.3	42.5	49.6	56.7	63.9	
		KW	2.83	2.95	3.07	3.19	3.32	3.44	3.56	3.68	
	80	MBH	12.9	20.1	27.2	34.3	41.5	48.6	55.7	62.9	
		KW	3.26	3.38	3.50	3.62	3.75	3.87	3.99	4.11	

1. These Capacities are net capacities - the indoor motor heat has been added.
2. These power inputs are total power inputs - the indoor motor watts have been added.

BHQ024-060

Model (Tons)	Air Over Evaporator Coil		Capacity ¹ & kW ²	Outdoor Temperature (°F @ 72% RH)							
	CFM	DB (°F)		-10	0	10	20	30	40	50	60
BHQ024 (2.0)	600	55	MBH	7.47	8.81	10.43	12.37	14.70	17.50	20.84	24.86
			KW	1.03	1.08	1.16	1.25	1.34	1.42	1.51	1.60
		70	MBH	6.77	8.12	9.74	11.68	14.00	16.80	20.15	24.16
			KW	1.24	1.28	1.37	1.46	1.55	1.63	1.72	1.81
		80	MBH	6.49	7.83	9.45	11.39	13.72	16.51	19.86	23.88
			KW	1.43	1.48	1.56	1.65	1.74	1.82	1.91	2.00
	800	55	MBH	7.43	8.78	10.41	12.36	14.69	17.50	20.88	24.93
			KW	1.13	1.16	1.20	1.24	1.28	1.32	1.36	1.40
		70	MBH	6.73	8.08	9.71	11.65	13.99	16.80	20.18	24.23
			KW	1.31	1.34	1.38	1.42	1.46	1.50	1.55	1.59
		80	MBH	6.40	7.75	9.37	11.32	13.66	16.47	19.84	23.89
			KW	1.52	1.55	1.59	1.63	1.67	1.72	1.76	1.80
900	55	MBH	7.57	8.94	10.58	12.55	14.92	17.76	21.16	25.24	
		KW	1.10	1.13	1.18	1.22	1.27	1.32	1.37	1.42	
	70	MBH	6.85	8.22	9.86	11.83	14.20	17.04	20.44	24.53	
		KW	1.28	1.31	1.36	1.41	1.46	1.51	1.55	1.60	
	80	MBH	6.58	7.95	9.59	11.56	13.93	16.76	20.17	24.25	
		KW	1.45	1.49	1.54	1.58	1.63	1.68	1.73	1.77	
BHQ030 (2.5)	1000	55	MBH	11.45	13.17	15.19	17.57	20.37	23.66	27.52	32.06
			KW	1.35	1.43	1.51	1.59	1.68	1.77	1.87	1.97
		70	MBH	9.82	11.54	13.57	15.95	18.74	22.03	25.89	30.44
			KW	1.62	1.69	1.77	1.86	1.95	2.04	2.13	2.23
		80	MBH	10.17	11.89	13.91	16.29	19.09	22.38	26.24	30.78
			KW	2.03	2.11	2.19	2.27	2.36	2.45	2.54	2.64
	1050	55	MBH	10.90	12.73	14.92	17.54	20.67	24.42	28.91	34.28
			KW	1.30	1.37	1.44	1.52	1.61	1.69	1.78	1.88
		70	MBH	9.31	11.14	13.33	15.95	19.08	22.83	27.32	32.69
			KW	1.62	1.69	1.76	1.84	1.93	2.01	2.10	2.20
		80	MBH	7.90	9.73	11.92	14.54	17.67	21.43	25.92	31.29
			KW	1.90	1.97	2.04	2.12	2.21	2.29	2.38	2.48
1200	55	MBH	10.91	12.79	15.06	17.78	21.05	24.98	29.69	35.35	
		KW	1.29	1.34	1.40	1.46	1.52	1.58	1.64	1.71	
	70	MBH	9.40	11.28	13.55	16.27	19.54	23.47	28.18	33.84	
		KW	1.62	1.68	1.74	1.79	1.85	1.92	1.98	2.05	
	80	MBH	8.04	9.93	12.19	14.91	18.18	22.11	26.82	32.48	
		KW	1.84	1.89	1.95	2.01	2.07	2.13	2.19	2.26	
BHQ036 (3.0)	1000	55	MBH	10.97	13.13	15.76	18.98	22.91	27.70	33.54	40.68
			KW	1.39	1.52	1.67	1.83	2.00	2.19	2.39	2.60
		70	MBH	9.82	11.98	14.61	17.83	21.76	26.55	32.39	39.53
			KW	1.72	1.85	2.00	2.16	2.33	2.52	2.72	2.93
		80	MBH	10.20	12.36	14.99	18.21	22.14	26.93	32.77	39.91
			KW	2.05	2.18	2.33	2.49	2.66	2.85	3.05	3.26
	1200	55	MBH	10.26	12.50	15.29	18.76	23.08	28.46	35.15	43.47
			KW	1.31	1.45	1.59	1.74	1.91	2.09	2.28	2.49
		70	MBH	9.16	11.40	14.19	17.66	21.98	27.36	34.05	42.37
			KW	1.71	1.85	1.99	2.14	2.31	2.49	2.68	2.89
		80	MBH	9.46	11.70	14.49	17.96	22.28	27.66	34.35	42.67
			KW	1.91	2.05	2.19	2.34	2.51	2.69	2.88	3.09
1300	55	MBH	10.85	13.06	15.77	19.09	23.15	28.14	34.25	41.73	
		KW	1.37	1.48	1.61	1.74	1.89	2.04	2.20	2.38	
	70	MBH	9.79	11.99	14.70	18.02	22.09	27.07	33.18	40.67	
		KW	1.73	1.84	1.97	2.10	2.25	2.40	2.56	2.74	
	80	MBH	9.35	11.56	14.27	17.59	21.65	26.64	32.75	40.24	
		KW	2.02	2.13	2.26	2.39	2.54	2.69	2.85	3.03	

BHQ024-060 (Continued)

Model (Tons)	Air Over Evaporator Coil		Capacity ¹ & kW ²	Outdoor Temperature (°F @ 72% RH)								
	CFM	DB (°F)		-10	0	10	20	30	40	50	60	
BHQ042 (3.5)	1400	55	MBH	12.22	14.83	18.06	22.05	27.01	33.13	40.72	50.11	
			KW	1.12	1.33	1.55	1.76	1.98	2.19	2.41	2.62	
		70	MBH	10.97	13.58	16.81	20.81	25.76	31.89	39.47	48.87	
			KW	1.90	2.11	2.33	2.54	2.76	2.97	3.19	3.40	
	1500	55	MBH	10.65	13.26	16.49	20.49	25.44	31.57	39.16	48.55	
			KW	1.98	2.19	2.41	2.62	2.84	3.05	3.27	3.48	
		70	MBH	12.89	15.51	18.75	22.77	27.75	33.93	41.58	51.06	
			KW	1.46	1.64	1.83	2.04	2.27	2.52	2.79	3.09	
	1600	55	MBH	10.94	13.56	16.80	20.82	25.80	31.98	39.63	49.11	
			KW	1.98	2.16	2.35	2.56	2.79	3.04	3.31	3.60	
		70	MBH	10.47	13.09	16.33	20.35	25.34	31.51	39.16	48.64	
			KW	2.66	2.84	3.03	3.24	3.47	3.72	3.99	4.28	
1600	55	MBH	11.68	14.30	17.55	21.57	26.55	32.72	40.37	49.84		
		KW	1.37	1.51	1.65	1.80	1.97	2.14	2.32	2.52		
	70	MBH	10.98	13.60	16.85	20.87	25.85	32.02	39.67	49.14		
		KW	2.17	2.31	2.45	2.60	2.77	2.94	3.12	3.32		
1600	80	MBH	10.48	13.10	16.35	20.37	25.35	31.52	39.17	48.64		
		KW	2.27	2.41	2.55	2.70	2.87	3.04	3.22	3.42		
	55	MBH	14.54	17.52	21.19	25.70	31.24	38.07	46.47	56.81		
		KW	1.44	1.68	1.93	2.17	2.42	2.66	2.91	3.15		
BHQ048 (4.0)	1600	70	MBH	12.93	15.91	19.57	24.08	29.63	36.46	44.86	55.19	
			KW	2.13	2.37	2.62	2.86	3.11	3.35	3.60	3.84	
		80	MBH	11.83	14.81	18.47	22.98	28.53	35.36	43.76	54.09	
			KW	2.69	2.93	3.18	3.42	3.67	3.91	4.16	4.40	
1800	55	MBH	13.73	16.74	20.46	25.05	30.71	37.70	46.32	56.95		
		KW	1.80	1.97	2.14	2.34	2.54	2.76	3.00	3.25		
	70	MBH	12.89	15.90	19.62	24.21	29.87	36.86	45.48	56.11		
		KW	2.30	2.47	2.64	2.84	3.04	3.26	3.50	3.75		
1800	80	MBH	12.19	15.20	18.92	23.51	29.17	36.16	44.78	55.41		
		KW	2.70	2.87	3.04	3.24	3.44	3.66	3.90	4.15		
	BHQ060 (5.0)	1800	55	MBH	20.43	23.92	28.12	33.17	39.24	46.53	55.30	65.83
				KW	2.33	2.46	2.60	2.75	2.90	3.07	3.24	3.41
70			MBH	17.33	20.82	25.02	30.07	36.14	43.43	52.20	62.73	
			KW	2.93	3.06	3.20	3.35	3.50	3.67	3.84	4.01	
2000	80	MBH	15.53	19.02	23.22	28.27	34.34	41.63	50.40	60.93		
		KW	3.37	3.50	3.64	3.79	3.94	4.11	4.28	4.45		
	55	MBH	20.02	23.56	27.83	32.99	39.22	46.74	55.83	66.81		
		KW	2.44	2.56	2.68	2.81	2.94	3.08	3.22	3.37		
2000	70	MBH	17.02	20.56	24.83	29.99	36.22	43.74	52.83	63.81		
		KW	2.97	3.09	3.21	3.34	3.47	3.61	3.75	3.90		
	80	MBH	15.22	18.76	23.03	28.19	34.42	41.94	51.03	62.01		
		KW	3.47	3.59	3.71	3.84	3.97	4.11	4.25	4.40		

1. These Capacities are net capacities - the indoor motor heat has been added.
2. These power inputs are total power inputs - the indoor motor watts have been added.

BHX024-060

Model (Tons)	Air Over Evaporator Coil		Capacity ¹ & kW ²	Outdoor Temperature (°F @ 72% RH)							
	CFM	DB (°F)		-10	0	10	20	30	40	50	60
BHX024 (2.0)	650	55	MBH	5.52	6.55	7.81	9.35	11.24	13.55	16.38	19.85
			KW	0.89	0.90	0.91	0.92	0.93	0.94	0.96	0.97
		70	MBH	4.58	5.61	6.87	8.41	10.30	12.61	15.44	18.91
			KW	1.07	1.08	1.09	1.10	1.11	1.13	1.14	1.15
		80	MBH	3.55	4.58	5.84	7.38	9.27	11.58	14.41	17.88
			KW	1.22	1.23	1.24	1.25	1.26	1.27	1.29	1.30
	800	55	MBH	11.33	12.80	14.53	16.54	18.91	21.67	24.91	28.71
			KW	1.03	1.07	1.13	1.19	1.25	1.31	1.37	1.43
		70	MBH	8.60	10.07	11.79	13.81	16.17	18.94	22.18	25.97
			KW	1.25	1.28	1.34	1.40	1.47	1.53	1.59	1.65
		80	MBH	7.49	8.96	10.68	12.70	15.06	17.83	21.07	24.87
			KW	1.44	1.48	1.54	1.60	1.66	1.72	1.78	1.84
BHX036 (3.0)	900	55	MBH	10.90	12.40	14.14	16.14	18.46	21.15	24.25	27.84
			KW	1.44	1.48	1.53	1.57	1.62	1.67	1.72	1.77
		70	MBH	9.57	11.07	12.80	14.81	17.13	19.81	22.92	26.51
			KW	1.73	1.77	1.82	1.86	1.91	1.96	2.01	2.06
		80	MBH	8.77	10.27	12.01	14.01	16.33	19.01	22.12	25.71
			KW	2.05	2.10	2.14	2.19	2.23	2.28	2.33	2.38
	1100	55	MBH	13.92	16.10	18.68	21.75	25.38	29.69	34.80	40.85
			KW	1.68	1.77	1.86	1.96	2.06	2.16	2.27	2.39
		70	MBH	11.75	13.93	16.51	19.58	23.21	27.52	32.63	38.68
			KW	2.16	2.25	2.34	2.44	2.54	2.64	2.75	2.87
		80	MBH	7.25	9.43	12.02	15.08	18.72	23.02	28.13	34.19
			KW	2.08	2.17	2.27	2.36	2.46	2.57	2.68	2.79
BHX048 (4.0)	1200	55	MBH	13.84	15.99	18.53	21.51	25.01	29.13	33.96	39.65
			KW	1.39	1.56	1.74	1.91	2.08	2.26	2.43	2.60
		70	MBH	12.34	14.50	17.04	20.02	23.52	27.63	32.47	38.15
			KW	1.88	2.06	2.23	2.40	2.58	2.75	2.92	3.09
		80	MBH	11.41	13.57	16.11	19.09	22.59	26.71	31.54	37.22
			KW	2.36	2.53	2.71	2.88	3.05	3.23	3.40	3.57
	1600	55	MBH	15.52	18.56	22.22	26.61	31.88	38.22	45.83	54.96
			KW	1.84	2.05	2.27	2.51	2.77	3.06	3.37	3.70
		70	MBH	15.13	18.17	21.83	26.22	31.49	37.83	45.44	54.57
			KW	2.43	2.63	2.86	3.10	3.36	3.64	3.95	4.28
		80	MBH	14.45	17.49	21.15	25.54	30.81	37.15	44.76	53.89
			KW	3.09	3.30	3.52	3.76	4.02	4.30	4.61	4.95
BHX060 (5.0)	1200	55	MBH	13.78	16.37	19.51	23.30	27.90	33.46	40.20	48.36
			KW	1.59	1.77	1.97	2.18	2.41	2.65	2.91	3.20
		70	MBH	12.28	14.87	18.00	21.80	26.39	31.96	38.69	46.85
			KW	2.32	2.50	2.70	2.91	3.14	3.38	3.64	3.93
		80	MBH	11.43	14.02	17.16	20.95	25.55	31.11	37.85	46.01
			KW	2.98	3.16	3.35	3.56	3.79	4.03	4.30	4.58
	1700	55	MBH	22.93	26.78	31.33	36.69	43.03	50.51	59.34	69.77
			KW	1.37	1.70	2.07	2.49	2.97	3.51	4.12	4.81
		70	MBH	21.30	25.15	29.70	35.06	41.40	48.88	57.71	68.14
			KW	2.49	2.82	3.19	3.61	4.09	4.63	5.24	5.93
		80	MBH	19.88	23.73	28.27	33.64	39.98	47.46	56.29	66.72
			KW	3.43	3.76	4.13	4.55	5.03	5.57	6.18	6.87

1. These Capacities are net capacities - the indoor motor heat has been added.
2. These power inputs are total power inputs - the indoor motor watts have been added.

Airflow Performance

BHZ Side Duct Application

Model No. (Tons)	Blower Speed Setting	External Static Pressure (Inches Water Gauge)														
		0.2			0.4			0.6			0.8			1.0		
		CFM	W	RPM	CFM	W	RPM	CFM	W	RPM	CFM	W	RPM	CFM	W	RPM
BHZ024 (2.0)	Low (1)	721	82	600	611	97	705	-	-	-	-	-	-	-	-	-
	Low/Medium (2)	769	93	628	694	112	730	610	126	832	-	-	-	-	-	-
	Medium (3)	882	131	704	812	147	797	736	162	889	651	177	979	-	-	-
	Medium/High (4)	971	171	773	916	188	857	851	205	939	775	219	1019	681	230	1097
	High (5)	-	-	-	-	-	-	957	249	982	887	261	1052	788	266	1120
BHZ030 (2.5)	Low (1)	828	110	673	759	125	771	-	-	-	-	-	-	-	-	-
	Low/Medium (2)	991	168	754	934	187	839	868	205	922	783	221	1003	-	-	-
	Medium (3)	1091	214	807	1041	234	883	983	253	958	910	269	1033	785	273	1106
	Medium/High (4)	1189	269	861	1144	288	927	1091	305	994	1027	318	1061	912	316	1132
	High (5)	-	-	-	1235	347	970	1186	360	1028	1125	368	1086	1007	352	1147
BHZ036 (3.0)	Low (1)	1025	158	769	906	175	856	-	-	-	-	-	-	-	-	-
	Low/Medium (2)	1214	237	764	1125	260	839	1034	283	913	942	307	987	-	-	-
	Medium (3)	1370	305	779	1276	330	846	1179	354	913	1078	377	981	971	397	1048
	Medium/High (4)	-	-	-	1416	413	872	1314	436	932	1206	454	993	1083	460	1051
	High (5)	-	-	-	-	-	-	1441	530	970	1326	538	1022	1182	521	1070
BHZ042 (3.5)	Low (1)	1241	221	702	1151	245	778	1058	268	853	-	-	-	-	-	-
	Low/Medium (2)	1406	299	759	1325	324	826	1242	349	893	1158	373	959	1072	396	1025
	Medium (3)	1536	376	808	1461	403	869	1384	427	928	1305	449	988	1223	468	1046
	Medium/High (4)	1656	466	858	1584	492	912	1509	515	966	1430	533	1019	1344	542	1070
	High (5)	-	-	-	1687	590	955	1611	610	1004	1527	620	1051	1428	615	1097
BHZ048 (4.0)	Low (1)	1342	249	717	1250	273	789	-	-	-	-	-	-	-	-	-
	Low/Medium (2)	1596	397	817	1513	422	875	1432	447	934	1354	474	995	1276	501	1058
	Medium (3)	1705	476	858	1624	501	911	1545	526	966	1466	549	1021	1386	571	1077
	Medium/High (4)	1806	561	895	1726	587	945	1646	610	995	1564	628	1046	1476	639	1096
	High (5)	1898	652	929	1819	679	977	1736	698	1023	1646	709	1069	1547	706	1112
BHZ060 (5.0)	Low (1)	1580	394	859	1504	420	917	-	-	-	-	-	-	-	-	-
	Low/Medium (2)	1614	419	874	1540	446	931	-	-	-	-	-	-	-	-	-
	Medium (3)	1733	508	924	1663	536	976	1588	559	1026	1501	572	1072	-	-	-
	Medium/High (4)	2003	737	1030	1922	746	1069	1829	746	1104	1712	728	1134	1528	659	1146
	High (5)	2214	968	1104	2089	918	1121	1949	859	1136	1785	787	1148	1576	689	1154

BHZ Bottom Duct Application

Model No. (Tons)	Blower Speed Setting	External Static Pressure (Inches Water Gauge)														
		0.2			0.4			0.6			0.8			1.0		
		CFM	W	RPM	CFM	W	RPM	CFM	W	RPM	CFM	W	RPM	CFM	W	RPM
BHZ024 (2.0)	Low (1)	721	82	600	611	97	705	-	-	-	-	-	-	-	-	-
	Low/Medium (2)	769	93	628	694	112	730	610	126	832	-	-	-	-	-	-
	Medium (3)	882	131	704	812	147	797	736	162	889	651	177	979	-	-	-
	Medium/High (4)	971	171	773	916	188	857	851	205	939	775	219	1019	681	230	1097
	High (5)	-	-	-	-	-	-	957	249	982	887	261	1052	788	266	1120
BHZ030 (2.5)	Low (1)	828	110	673	759	125	771	-	-	-	-	-	-	-	-	-
	Low/Medium (2)	991	168	754	934	187	839	868	205	922	783	221	1003	-	-	-
	Medium (3)	1091	214	807	1041	234	883	983	253	958	910	269	1033	785	273	1106
	Medium/High (4)	1189	269	861	1144	288	927	1091	305	994	1027	318	1061	912	316	1132
	High (5)	-	-	-	1235	347	970	1186	360	1028	1125	368	1086	1007	352	1147
BHZ036 (3.0)	Low (1)	1025	158	769	906	175	856	-	-	-	-	-	-	-	-	-
	Low/Medium (2)	1214	237	764	1125	260	839	1034	283	913	942	307	987	-	-	-
	Medium (3)	1370	305	779	1276	330	846	1179	354	913	1078	377	981	971	397	1048
	Medium/High (4)	-	-	-	1416	413	872	1314	436	932	1206	454	993	1083	460	1051
	High (5)	-	-	-	-	-	-	1441	530	970	1326	538	1022	1182	521	1070
BHZ042 (3.5)	Low (1)	1241	221	702	1151	245	778	1058	268	853	-	-	-	-	-	-
	Low/Medium (2)	1406	299	759	1325	324	826	1242	349	893	1158	373	959	1072	396	1025
	Medium (3)	1536	376	808	1461	403	869	1384	427	928	1305	449	988	1223	468	1046
	Medium/High (4)	1656	466	858	1584	492	912	1509	515	966	1430	533	1019	1344	542	1070
	High (5)	-	-	-	1687	590	955	1611	610	1004	1527	620	1051	1428	615	1097
BHZ048 (4.0)	Low (1)	1342	249	717	1250	273	789	-	-	-	-	-	-	-	-	-
	Low/Medium (2)	1596	397	817	1513	422	875	1432	447	934	1354	474	995	1276	501	1058
	Medium (3)	1705	476	858	1624	501	911	1545	526	966	1466	549	1021	1386	571	1077
	Medium/High (4)	1806	561	895	1726	587	945	1646	610	995	1564	628	1046	1476	639	1096
	High (5)	1898	652	929	1819	679	977	1736	698	1023	1646	709	1069	1547	706	1112
BHZ060 (5.0)	Low (1)	1580	394	859	1504	420	917	-	-	-	-	-	-	-	-	-
	Low/Medium (2)	1614	419	874	1540	446	931	-	-	-	-	-	-	-	-	-
	Medium (3)	1733	508	924	1663	536	976	1588	559	1026	1501	572	1072	-	-	-
	Medium/High (4)	2003	737	1030	1922	746	1069	1829	746	1104	1712	728	1134	1528	659	1146
	High (5)	2214	968	1104	2089	918	1121	1949	859	1136	1785	787	1148	1576	689	1154

BHQ Side Duct Application

Model (Tons)	Mode		Thermostat Input	Speed Tap	CFM	External Static Pressure (Inch Water Gauge)									
						0.2	0.3	0.4	0.5	0.6	0.7	0.8	0.9	1.0	
						Watts	Watts	Watts	Watts	Watts	Watts	Watts	Watts	Watts	
BHQ024 (2.0)	Cool	High	Y1+O	COOL-A	800	99	118	137	157	177	197	217	238	259	
			Y1+O	COOL-B	600	58	74	91	108	126	143	161	179	197	
			Y1+O	COOL-C	700	76	94	112	130	149	167	186	205	224	
			Y1+O	COOL-D	900	127	146	167	188	209	231	254	277	301	
	Heat	Heat Pump	Y1	COOL-A	800	99	118	137	157	177	197	217	238	259	
			Y1	COOL-B	600	58	74	91	108	126	143	161	179	197	
			Y1	COOL-C	700	76	94	112	130	149	167	186	205	224	
			Y1	COOL-D	900	127	146	167	188	209	231	254	277	301	
		Heat Pump + Aux. Heat	Y1+W1	COOL-A; HEAT-A	800	99	118	137	157	-	-	-	-	-	-
				COOL-A; HEAT-B	720	80	98	117	135	-	-	-	-	-	-
				COOL-A; HEAT-C	880	121	140	160	181	-	-	-	-	-	-
				COOL-A; HEAT-D	900	127	146	167	188	-	-	-	-	-	-
			Y1+W1	COOL-B; HEAT-A	800	99	118	137	157	-	-	-	-	-	-
				COOL-B; HEAT-B	720	80	98	117	135	-	-	-	-	-	-
				COOL-B; HEAT-C	880	121	140	160	181	-	-	-	-	-	-
				COOL-B; HEAT-D	900	127	146	167	188	-	-	-	-	-	-
			Y1+W1	COOL-C; HEAT-A	800	99	118	137	157	-	-	-	-	-	-
				COOL-C; HEAT-B	720	80	98	117	135	-	-	-	-	-	-
				COOL-C; HEAT-C	880	121	140	160	181	-	-	-	-	-	-
				COOL-C; HEAT-D	900	127	146	167	188	-	-	-	-	-	-
			Y1+W1	COOL-D; HEAT-A	800	99	118	137	157	-	-	-	-	-	-
				COOL-D; HEAT-B	720	80	98	117	135	-	-	-	-	-	-
				COOL-D; HEAT-C	880	121	140	160	181	-	-	-	-	-	-
				COOL-D; HEAT-D	900	127	146	167	188	-	-	-	-	-	-
BHQ030 (2.5)	Cool	High	Y1+O	COOL-A	1050	232	251	271	291	312	333	354	375	396	
			Y1+O	COOL-B	1000	200	219	238	258	278	298	319	340	361	
			Y1+O	COOL-C	1125	255	274	293	313	333	354	375	396	417	
			Y1+O	COOL-D	1200	285	304	323	343	363	383	404	425	446	
	Heat	Heat Pump	Y1	COOL-A	1050	232	251	271	291	312	333	354	375	396	
			Y1	COOL-B	1000	200	219	238	258	278	298	319	340	361	
			Y1	COOL-C	1100	245	264	283	303	323	343	364	385	406	
			Y1	COOL-D	1200	285	304	323	343	363	383	404	425	446	
		Heat Pump + Aux. Heat	Y1+W1	COOL-A; HEAT-A	1050	232	251	271	291	-	-	-	-	-	-
				COOL-A; HEAT-B	1000	200	219	238	258	-	-	-	-	-	-
				COOL-A; HEAT-C	1150	265	284	303	323	-	-	-	-	-	-
				COOL-A; HEAT-D	1200	285	304	323	343	-	-	-	-	-	-
			Y1+W1	COOL-B; HEAT-A	1050	232	251	271	291	-	-	-	-	-	-
				COOL-B; HEAT-B	1000	200	219	238	258	-	-	-	-	-	-
				COOL-B; HEAT-C	1150	265	284	303	323	-	-	-	-	-	-
				COOL-B; HEAT-D	1200	285	304	323	343	-	-	-	-	-	-
			Y1+W1	COOL-C; HEAT-A	1050	232	251	271	291	-	-	-	-	-	-
				COOL-C; HEAT-B	1000	200	219	238	258	-	-	-	-	-	-
				COOL-C; HEAT-C	1150	265	284	303	323	-	-	-	-	-	-
				COOL-C; HEAT-D	1200	285	304	323	343	-	-	-	-	-	-
			Y1+W1	COOL-D; HEAT-A	1050	232	251	271	291	-	-	-	-	-	-
				COOL-D; HEAT-B	1000	200	219	238	258	-	-	-	-	-	-
				COOL-D; HEAT-C	1150	265	284	303	323	-	-	-	-	-	-
				COOL-D; HEAT-D	1200	285	304	323	343	-	-	-	-	-	-

BHQ Side Duct Application (Continued)

Model (Tons)	Mode		Thermostat Input	Speed Tap	CFM	External Static Pressure (Inch Water Gauge)								
						0.2	0.3	0.4	0.5	0.6	0.7	0.8	0.9	1.0
						Watts	Watts	Watts	Watts	Watts	Watts	Watts	Watts	Watts
BHQ036 (3.0)	Cool	High	Y1+O	COOL-A	1100	206	237	268	300	332	365	399	434	468
			Y1+O	COOL-B	1200	245	279	314	349	385	421	457	494	531
			Y1+O	COOL-C	1000	171	199	227	256	285	316	347	380	413
			Y1+O	COOL-D	1300	286	326	366	405	444	483	522	562	600
	Heat	Heat Pump	Y1	COOL-A	1200	245	279	314	349	385	421	457	494	531
			Y1	COOL-B	1100	206	237	268	300	332	365	399	434	468
			Y1	COOL-C	1000	171	199	227	256	285	316	347	380	413
			Y1	COOL-D	1300	286	326	366	405	444	483	522	562	600
		Heat Pump + Aux. Heat	Y1+W1	COOL-A; HEAT-A	1200	245	279	314	349	-	-	-	-	-
			Y1+W1	COOL-A; HEAT-B	1080	199	229	259	290	-	-	-	-	-
			Y1+W1	COOL-A; HEAT-C	1320	295	336	376	417	-	-	-	-	-
			Y1+W1	COOL-A; HEAT-D	1200	245	279	314	349	-	-	-	-	-
			Y1+W1	COOL-B; HEAT-A	1200	245	279	314	349	-	-	-	-	-
			Y1+W1	COOL-B; HEAT-B	1080	199	229	259	290	-	-	-	-	-
			Y1+W1	COOL-B; HEAT-C	1320	295	336	376	417	-	-	-	-	-
			Y1+W1	COOL-B; HEAT-D	1200	245	279	314	349	-	-	-	-	-
			Y1+W1	COOL-C; HEAT-A	1200	245	279	314	349	-	-	-	-	-
			Y1+W1	COOL-C; HEAT-B	1080	199	229	259	290	-	-	-	-	-
			Y1+W1	COOL-C; HEAT-C	1320	295	336	376	417	-	-	-	-	-
			Y1+W1	COOL-C; HEAT-D	1200	245	279	314	349	-	-	-	-	-
			Y1+W1	COOL-D; HEAT-A	1200	245	279	314	349	-	-	-	-	-
			Y1+W1	COOL-D; HEAT-B	1080	199	229	259	290	-	-	-	-	-
			Y1+W1	COOL-D; HEAT-C	1320	295	336	376	417	-	-	-	-	-
			Y1+W1	COOL-D; HEAT-D	1200	245	279	314	349	-	-	-	-	-
BHQ042 (3.5)	Cool	High	Y1+O	COOL-A	1400	350	398	445	491	535	579	624	670	714
			Y1+O	COOL-B	1300	301	347	392	437	479	522	568	616	662
			Y1+O	COOL-C	1500	399	449	498	546	591	636	680	725	767
			Y1+O	COOL-D	1600	448	500	551	600	647	693	736	779	819
	Heat	Heat Pump	Y1	COOL-A	1400	350	398	445	491	535	579	624	670	714
			Y1	COOL-B	1350	316	362	405	448	489	529	570	609	646
			Y1	COOL-C	1500	399	449	498	546	591	636	680	725	767
			Y1	COOL-D	1600	448	500	551	600	647	693	736	779	819
		Heat Pump + Aux. Heat	Y1+W1	COOL-A; HEAT-A	1500	391	439	486	532	576	-	-	-	-
			Y1+W1	COOL-A; HEAT-B	1400	350	398	445	491	535	-	-	-	-
			Y1+W1	COOL-A; HEAT-C	1550	420	470	519	566	612	-	-	-	-
			Y1+W1	COOL-A; HEAT-D	1600	448	500	551	600	647	-	-	-	-
			Y1+W1	COOL-B; HEAT-A	1500	391	439	486	532	576	-	-	-	-
			Y1+W1	COOL-B; HEAT-B	1400	350	398	445	491	535	-	-	-	-
			Y1+W1	COOL-B; HEAT-C	1550	420	470	519	566	612	-	-	-	-
			Y1+W1	COOL-B; HEAT-D	1600	448	500	551	600	647	-	-	-	-
			Y1+W1	COOL-C; HEAT-A	1500	391	439	486	532	576	-	-	-	-
			Y1+W1	COOL-C; HEAT-B	1400	350	398	445	491	535	-	-	-	-
			Y1+W1	COOL-C; HEAT-C	1550	420	470	519	566	612	-	-	-	-
			Y1+W1	COOL-C; HEAT-D	1600	448	500	551	600	647	-	-	-	-
			Y1+W1	COOL-D; HEAT-A	1500	391	439	486	532	576	-	-	-	-
			Y1+W1	COOL-D; HEAT-B	1400	350	398	445	491	535	-	-	-	-
			Y1+W1	COOL-D; HEAT-C	1550	420	470	519	566	612	-	-	-	-
			Y1+W1	COOL-D; HEAT-D	1600	448	500	551	600	647	-	-	-	-

BHQ Side Duct Application (Continued)

Model (Tons)	Mode		Thermostat Input	Speed Tap	CFM	External Static Pressure (Inch Water Gauge)								
						0.2	0.3	0.4	0.5	0.6	0.7	0.8	0.9	1.0
						Watts	Watts	Watts	Watts	Watts	Watts	Watts	Watts	Watts
BHQ048 (4.0)	Cool	High	Y1+O	COOL-A	1400	338	383	426	468	509	549	589	627	664
			Y1+O	COOL-B	1500	391	439	486	532	576	618	660	700	739
			Y1+O	COOL-C	1600	448	500	551	600	647	693	736	779	819
			Y1+O	COOL-D	1800	508	568	628	688	748	808	868	928	988
	Heat	Heat Pump	Y1	COOL-A	1600	448	500	551	600	647	693	736	779	819
			Y1	COOL-B	1500	391	439	486	532	576	618	660	700	739
			Y1	COOL-C	1600	448	500	551	600	647	693	736	779	819
			Y1	COOL-D	1800	508	568	628	688	748	808	868	928	988
		Heat Pump + Aux. Heat	Y1+W1	COOL-A; HEAT-A	1600	448	500	551	600	647	-	-	-	-
				COOL-A; HEAT-B	1440	359	405	449	493	535	-	-	-	-
				COOL-A; HEAT-C	1760	546	606	663	718	771	-	-	-	-
				COOL-A; HEAT-D	1800	508	568	628	688	748	-	-	-	-
			Y1+W1	COOL-B; HEAT-A	1600	448	500	551	600	647	-	-	-	-
				COOL-B; HEAT-B	1440	359	405	449	493	535	-	-	-	-
				COOL-B; HEAT-C	1760	546	606	663	718	771	-	-	-	-
				COOL-B; HEAT-D	1800	508	568	628	688	748	-	-	-	-
			Y1+W1	COOL-C; HEAT-A	1600	448	500	551	600	647	-	-	-	-
				COOL-C; HEAT-B	1440	359	405	449	493	535	-	-	-	-
				COOL-C; HEAT-C	1760	546	606	663	718	771	-	-	-	-
				COOL-C; HEAT-D	1800	508	568	628	688	748	-	-	-	-
			Y1+W1	COOL-D; HEAT-A	1600	448	500	551	600	647	-	-	-	-
				COOL-D; HEAT-B	1440	359	405	449	493	535	-	-	-	-
				COOL-D; HEAT-C	1760	546	606	663	718	771	-	-	-	-
				COOL-D; HEAT-D	1800	508	568	628	688	748	-	-	-	-
BHQ060 (5.0)	Cool	High	Y1+O	COOL-A	1500	387	420	453	487	520	554	587	621	654
			Y1+O	COOL-B	1600	486	520	553	587	620	654	687	721	754
			Y1+O	COOL-C	1800	667	700	733	766	800	833	867	900	934
			Y1+O	COOL-D	2000	857	890	923	956	990	1023	1057	1090	1124
	Heat	Heat Pump	Y1	COOL-A	1800	667	700	733	766	800	833	867	900	934
			Y1	COOL-B	1600	486	520	553	587	620	654	687	721	754
			Y1	COOL-C	1700	577	610	643	677	710	744	777	811	844
			Y1	COOL-D	2000	857	890	923	956	990	1023	1057	1090	1124
		Heat Pump + Aux. Heat	Y1+W1	COOL-A; HEAT-A	1900	762	795	828	861	895	-	-	-	-
				COOL-A; HEAT-B	1975	841	874	907	941	974	-	-	-	-
				COOL-A; HEAT-C	2150	986	1019	1052	1086	1119	-	-	-	-
				COOL-A; HEAT-D	2070	916	949	982	1016	1049	-	-	-	-
			Y1+W1	COOL-B; HEAT-A	1900	762	795	828	861	895	-	-	-	-
				COOL-B; HEAT-B	1975	841	874	907	941	974	-	-	-	-
				COOL-B; HEAT-C	2150	986	1019	1052	1086	1119	-	-	-	-
				COOL-B; HEAT-D	2070	916	949	982	1016	1049	-	-	-	-
			Y1+W1	COOL-C; HEAT-A	1900	762	795	828	861	895	-	-	-	-
				COOL-C; HEAT-B	1975	841	874	907	941	974	-	-	-	-
				COOL-C; HEAT-C	2150	986	1019	1052	1086	1119	-	-	-	-
				COOL-C; HEAT-D	2070	916	949	982	1016	1049	-	-	-	-
			Y1+W1	COOL-D; HEAT-A	1900	762	795	828	861	895	-	-	-	-
				COOL-D; HEAT-B	1975	841	874	907	941	974	-	-	-	-
				COOL-D; HEAT-C	2150	986	1019	1052	1086	1119	-	-	-	-
				COOL-D; HEAT-D	2070	916	949	982	1016	1049	-	-	-	-

BHQ Bottom Duct Application

Model (Tons)	Mode		Thermostat Input	Speed Tap	CFM	External Static Pressure (Inch Water Gauge)									
						0.2	0.3	0.4	0.5	0.6	0.7	0.8	0.9	1.0	
						Watts	Watts	Watts	Watts	Watts	Watts	Watts	Watts	Watts	
BHQ024 (2.0)	Cool	High	Y1+O	COOL-A	800	99	118	137	157	177	197	217	238	259	
			Y1+O	COOL-B	600	58	74	91	108	126	143	161	179	197	
			Y1+O	COOL-C	700	76	94	112	130	149	167	186	205	224	
			Y1+O	COOL-D	900	127	146	167	188	209	231	254	277	301	
	Heat	Heat Pump	Y1	COOL-A	800	99	118	137	157	177	197	217	238	259	
			Y1	COOL-B	600	58	74	91	108	126	143	161	179	197	
			Y1	COOL-C	700	76	94	112	130	149	167	186	205	224	
			Y1	COOL-D	900	127	146	167	188	209	231	254	277	301	
		Heat Pump + Aux. Heat	Y1+W1	COOL-A; HEAT-A	800	99	118	137	157	-	-	-	-	-	-
				COOL-A; HEAT-B	720	80	98	117	135	-	-	-	-	-	-
				COOL-A; HEAT-C	880	121	140	160	181	-	-	-	-	-	-
				COOL-A; HEAT-D	900	127	146	167	188	-	-	-	-	-	-
			Y1+W1	COOL-B; HEAT-A	800	99	118	137	157	-	-	-	-	-	-
				COOL-B; HEAT-B	720	80	98	117	135	-	-	-	-	-	-
				COOL-B; HEAT-C	880	121	140	160	181	-	-	-	-	-	-
				COOL-B; HEAT-D	900	127	146	167	188	-	-	-	-	-	-
			Y1+W1	COOL-C; HEAT-A	800	99	118	137	157	-	-	-	-	-	-
				COOL-C; HEAT-B	720	80	98	117	135	-	-	-	-	-	-
				COOL-C; HEAT-C	880	121	140	160	181	-	-	-	-	-	-
				COOL-C; HEAT-D	900	127	146	167	188	-	-	-	-	-	-
			Y1+W1	COOL-D; HEAT-A	800	99	118	137	157	-	-	-	-	-	-
				COOL-D; HEAT-B	720	80	98	117	135	-	-	-	-	-	-
				COOL-D; HEAT-C	880	121	140	160	181	-	-	-	-	-	-
				COOL-D; HEAT-D	900	127	146	167	188	-	-	-	-	-	-
BHQ030 (2.5)	Cool	High	Y1+O	COOL-A	1050	232	251	271	291	312	333	354	375	396	
			Y1+O	COOL-B	1000	200	219	238	258	278	298	319	340	361	
			Y1+O	COOL-C	1125	255	274	293	313	333	354	375	396	417	
			Y1+O	COOL-D	1200	285	304	323	343	363	383	404	425	446	
	Heat	Heat Pump	Y1	COOL-A	1050	232	251	271	291	312	333	354	375	396	
			Y1	COOL-B	1000	200	219	238	258	278	298	319	340	361	
			Y1	COOL-C	1100	245	264	283	303	323	343	364	385	406	
			Y1	COOL-D	1200	285	304	323	343	363	383	404	425	446	
		Heat Pump + Aux. Heat	Y1+W1	COOL-A; HEAT-A	1050	232	251	271	291	-	-	-	-	-	-
				COOL-A; HEAT-B	1000	200	219	238	258	-	-	-	-	-	-
				COOL-A; HEAT-C	1150	265	284	303	323	-	-	-	-	-	-
				COOL-A; HEAT-D	1200	285	304	323	343	-	-	-	-	-	-
			Y1+W1	COOL-B; HEAT-A	1050	232	251	271	291	-	-	-	-	-	-
				COOL-B; HEAT-B	1000	200	219	238	258	-	-	-	-	-	-
				COOL-B; HEAT-C	1150	265	284	303	323	-	-	-	-	-	-
				COOL-B; HEAT-D	1200	285	304	323	343	-	-	-	-	-	-
			Y1+W1	COOL-C; HEAT-A	1050	232	251	271	291	-	-	-	-	-	-
				COOL-C; HEAT-B	1000	200	219	238	258	-	-	-	-	-	-
				COOL-C; HEAT-C	1150	265	284	303	323	-	-	-	-	-	-
				COOL-C; HEAT-D	1200	285	304	323	343	-	-	-	-	-	-
			Y1+W1	COOL-D; HEAT-A	1050	232	251	271	291	-	-	-	-	-	-
				COOL-D; HEAT-B	1000	200	219	238	258	-	-	-	-	-	-
				COOL-D; HEAT-C	1150	265	284	303	323	-	-	-	-	-	-
				COOL-D; HEAT-D	1200	285	304	323	343	-	-	-	-	-	-

BHQ Bottom Duct Application (Continued)

Model (Tons)	Mode		Thermostat Input	Speed Tap	CFM	External Static Pressure (Inch Water Gauge)								
						0.2	0.3	0.4	0.5	0.6	0.7	0.8	0.9	1.0
						Watts	Watts	Watts	Watts	Watts	Watts	Watts	Watts	Watts
BHQ036 (3.0)	Cool	High	Y1+O	COOL-A	1100	206	237	268	300	332	365	399	434	468
			Y1+O	COOL-B	1200	245	279	314	349	385	421	457	494	531
			Y1+O	COOL-C	1000	171	199	227	256	285	316	347	380	413
			Y1+O	COOL-D	1300	286	326	366	405	444	483	522	562	600
	Heat	Heat Pump	Y1	COOL-A	1200	245	279	314	349	385	421	457	494	531
			Y1	COOL-B	1100	206	237	268	300	332	365	399	434	468
			Y1	COOL-C	1000	171	199	227	256	285	316	347	380	413
			Y1	COOL-D	1300	286	326	366	405	444	483	522	562	600
		Heat Pump + Aux. Heat	Y1+W1	COOL-A; HEAT-A	1200	245	279	314	349	-	-	-	-	-
			Y1+W1	COOL-A; HEAT-B	1080	199	229	259	290	-	-	-	-	-
			Y1+W1	COOL-A; HEAT-C	1320	295	336	376	417	-	-	-	-	-
			Y1+W1	COOL-A; HEAT-D	1200	245	279	314	349	-	-	-	-	-
			Y1+W1	COOL-B; HEAT-A	1200	245	279	314	349	-	-	-	-	-
			Y1+W1	COOL-B; HEAT-B	1080	199	229	259	290	-	-	-	-	-
			Y1+W1	COOL-B; HEAT-C	1320	295	336	376	417	-	-	-	-	-
			Y1+W1	COOL-B; HEAT-D	1200	245	279	314	349	-	-	-	-	-
			Y1+W1	COOL-C; HEAT-A	1200	245	279	314	349	-	-	-	-	-
			Y1+W1	COOL-C; HEAT-B	1080	199	229	259	290	-	-	-	-	-
			Y1+W1	COOL-C; HEAT-C	1320	295	336	376	417	-	-	-	-	-
			Y1+W1	COOL-C; HEAT-D	1200	245	279	314	349	-	-	-	-	-
BHQ042 (3.5)	Cool	High	Y1+O	COOL-A	1400	350	398	445	491	535	579	624	670	714
			Y1+O	COOL-B	1300	301	347	392	437	479	522	568	616	662
			Y1+O	COOL-C	1500	399	449	498	546	591	636	680	725	767
			Y1+O	COOL-D	1600	448	500	551	600	647	693	736	779	819
	Heat	Heat Pump	Y1	COOL-A	1400	350	398	445	491	535	579	624	670	714
			Y1	COOL-B	1350	316	362	405	448	489	529	570	609	646
			Y1	COOL-C	1500	399	449	498	546	591	636	680	725	767
			Y1	COOL-D	1600	448	500	551	600	647	693	736	779	819
		Heat Pump + Aux. Heat	Y1+W1	COOL-A; HEAT-A	1500	391	439	486	532	576	-	-	-	-
			Y1+W1	COOL-A; HEAT-B	1400	350	398	445	491	535	-	-	-	-
			Y1+W1	COOL-A; HEAT-C	1550	420	470	519	566	612	-	-	-	-
			Y1+W1	COOL-A; HEAT-D	1600	448	500	551	600	647	-	-	-	-
			Y1+W1	COOL-B; HEAT-A	1500	391	439	486	532	576	-	-	-	-
			Y1+W1	COOL-B; HEAT-B	1400	350	398	445	491	535	-	-	-	-
			Y1+W1	COOL-B; HEAT-C	1550	420	470	519	566	612	-	-	-	-
			Y1+W1	COOL-B; HEAT-D	1600	448	500	551	600	647	-	-	-	-
			Y1+W1	COOL-C; HEAT-A	1500	391	439	486	532	576	-	-	-	-
			Y1+W1	COOL-C; HEAT-B	1400	350	398	445	491	535	-	-	-	-
			Y1+W1	COOL-C; HEAT-C	1550	420	470	519	566	612	-	-	-	-
			Y1+W1	COOL-C; HEAT-D	1600	448	500	551	600	647	-	-	-	-
Y1+W1	COOL-D; HEAT-A	1500	391	439	486	532	576	-	-	-	-			
Y1+W1	COOL-D; HEAT-B	1400	350	398	445	491	535	-	-	-	-			
Y1+W1	COOL-D; HEAT-C	1550	420	470	519	566	612	-	-	-	-			
Y1+W1	COOL-D; HEAT-D	1600	448	500	551	600	647	-	-	-	-			

BHQ Bottom Duct Application (Continued)

Model (Tons)	Mode		Thermostat Input	Speed Tap	CFM	External Static Pressure (Inch Water Gauge)								
						0.2	0.3	0.4	0.5	0.6	0.7	0.8	0.9	1.0
						Watts	Watts	Watts	Watts	Watts	Watts	Watts	Watts	Watts
BHQ048 (4.0)	Cool	High	Y1+O	COOL-A	1400	338	383	426	468	509	549	589	627	664
			Y1+O	COOL-B	1500	391	439	486	532	576	618	660	700	739
			Y1+O	COOL-C	1600	448	500	551	600	647	693	736	779	819
			Y1+O	COOL-D	1800	508	568	628	688	748	808	868	928	988
	Heat	Heat Pump	Y1	COOL-A	1600	448	500	551	600	647	693	736	779	819
			Y1	COOL-B	1500	391	439	486	532	576	618	660	700	739
			Y1	COOL-C	1600	448	500	551	600	647	693	736	779	819
			Y1	COOL-D	1800	508	568	628	688	748	808	868	928	988
		Heat Pump + Aux. Heat	Y1+W1	COOL-A; HEAT-A	1600	448	500	551	600	647	-	-	-	-
				COOL-A; HEAT-B	1440	359	405	449	493	535	-	-	-	-
				COOL-A; HEAT-C	1760	546	606	663	718	771	-	-	-	-
				COOL-A; HEAT-D	1800	508	568	628	688	748	-	-	-	-
			Y1+W1	COOL-B; HEAT-A	1600	448	500	551	600	647	-	-	-	-
				COOL-B; HEAT-B	1440	359	405	449	493	535	-	-	-	-
				COOL-B; HEAT-C	1760	546	606	663	718	771	-	-	-	-
				COOL-B; HEAT-D	1800	508	568	628	688	748	-	-	-	-
			Y1+W1	COOL-C; HEAT-A	1600	448	500	551	600	647	-	-	-	-
				COOL-C; HEAT-B	1440	359	405	449	493	535	-	-	-	-
				COOL-C; HEAT-C	1760	546	606	663	718	771	-	-	-	-
				COOL-C; HEAT-D	1800	508	568	628	688	748	-	-	-	-
			Y1+W1	COOL-D; HEAT-A	1600	448	500	551	600	647	-	-	-	-
				COOL-D; HEAT-B	1440	359	405	449	493	535	-	-	-	-
				COOL-D; HEAT-C	1760	546	606	663	718	771	-	-	-	-
				COOL-D; HEAT-D	1800	508	568	628	688	748	-	-	-	-
BHQ060 (5.0)	Cool	High	Y1+O	COOL-A	1500	387	420	453	487	520	554	587	621	654
			Y1+O	COOL-B	1600	486	520	553	587	620	654	687	721	754
			Y1+O	COOL-C	1800	667	700	733	766	800	833	867	900	934
			Y1+O	COOL-D	2000	857	890	923	956	990	1023	1057	1090	1124
	Heat	Heat Pump	Y1	COOL-A	1800	667	700	733	766	800	833	867	900	934
			Y1	COOL-B	1600	486	520	553	587	620	654	687	721	754
			Y1	COOL-C	1700	577	610	643	677	710	744	777	811	844
			Y1	COOL-D	2000	857	890	923	956	990	1023	1057	1090	1124
		Heat Pump + Aux. Heat	Y1+W1	COOL-A; HEAT-A	1900	762	795	828	861	895	-	-	-	-
				COOL-A; HEAT-B	1975	841	874	907	941	974	-	-	-	-
				COOL-A; HEAT-C	2150	986	1019	1052	1086	1119	-	-	-	-
				COOL-A; HEAT-D	2070	916	949	982	1016	1049	-	-	-	-
			Y1+W1	COOL-B; HEAT-A	1900	762	795	828	861	895	-	-	-	-
				COOL-B; HEAT-B	1975	841	874	907	941	974	-	-	-	-
				COOL-B; HEAT-C	2150	986	1019	1052	1086	1119	-	-	-	-
				COOL-B; HEAT-D	2070	916	949	982	1016	1049	-	-	-	-
			Y1+W1	COOL-C; HEAT-A	1900	762	795	828	861	895	-	-	-	-
				COOL-C; HEAT-B	1975	841	874	907	941	974	-	-	-	-
				COOL-C; HEAT-C	2150	986	1019	1052	1086	1119	-	-	-	-
				COOL-C; HEAT-D	2070	916	949	982	1016	1049	-	-	-	-
			Y1+W1	COOL-D; HEAT-A	1900	762	795	828	861	895	-	-	-	-
				COOL-D; HEAT-B	1975	841	874	907	941	974	-	-	-	-
				COOL-D; HEAT-C	2150	986	1019	1052	1086	1119	-	-	-	-
				COOL-D; HEAT-D	2070	916	949	982	1016	1049	-	-	-	-

BHX Side Duct Application

Model (Tons)	Mode		Thermostat Input	Speed Tap	CFM	External Static Pressure (Inch Water Gauge)								
						0.2	0.3	0.4	0.5	0.6	0.7	0.8	0.9	1.0
						Watts	Watts	Watts	Watts	Watts	Watts	Watts	Watts	Watts
BHX024 (2.0)	Cool	Low	Y1	COOL-A	600	58	74	91	108	126	143	161	179	197
			Y1	COOL-B	450	39	53	68	84	100	117	134	152	170
			Y1	COOL-C	525	47	63	79	95	112	129	146	164	182
			Y1	COOL-D	675	71	89	106	124	143	161	179	198	217
		High	Y1+Y2	COOL-A	800	99	118	137	157	177	197	217	238	259
			Y1+Y2	COOL-B	600	58	74	91	108	126	143	161	179	197
			Y1+Y2	COOL-C	700	76	94	112	130	149	167	186	205	224
			Y1+Y2	COOL-D	900	127	146	167	188	209	231	254	277	301
	Heat	Heat Pump	Y1	COOL-A	800	99	118	137	157	177	197	217	238	259
			Y1	COOL-B	600	58	74	91	108	126	143	161	179	197
			Y1	COOL-C	700	76	94	112	130	149	167	186	205	224
			Y1	COOL-D	900	127	146	167	188	209	231	254	277	301
		Heat Pump + Aux. Heat	Y1+W1	COOL-A; HEAT-A	800	99	118	137	157	-	-	-	-	-
			Y1+W1	COOL-A; HEAT-B	800	99	118	137	157	-	-	-	-	-
			Y1+W1	COOL-A; HEAT-C	880	121	140	160	181	-	-	-	-	-
			Y1+W1	COOL-A; HEAT-D	800	99	118	137	157	-	-	-	-	-
			Y1+W1	COOL-B; HEAT-A	800	99	118	137	157	-	-	-	-	-
			Y1+W1	COOL-B; HEAT-B	720	80	98	117	135	-	-	-	-	-
			Y1+W1	COOL-B; HEAT-C	880	121	140	160	181	-	-	-	-	-
			Y1+W1	COOL-B; HEAT-D	800	99	118	137	157	-	-	-	-	-
			Y1+W1	COOL-C; HEAT-A	800	99	118	137	157	-	-	-	-	-
			Y1+W1	COOL-C; HEAT-B	720	80	98	117	135	-	-	-	-	-
			Y1+W1	COOL-C; HEAT-C	880	121	140	160	181	-	-	-	-	-
			Y1+W1	COOL-C; HEAT-D	800	99	118	137	157	-	-	-	-	-
			Y1+W1	COOL-D; HEAT-A	900	127	146	167	188	-	-	-	-	-
			Y1+W1	COOL-D; HEAT-B	900	127	146	167	188	-	-	-	-	-
			Y1+W1	COOL-D; HEAT-C	900	127	146	167	188	-	-	-	-	-
			Y1+W1	COOL-D; HEAT-D	900	127	146	167	188	-	-	-	-	-
BHX036 (3.0)	Cool	Low	Y1	COOL-A	900	140	165	191	217	245	273	303	333	364
			Y1	COOL-B	750	98	122	146	171	196	222	248	275	302
			Y1	COOL-C	825	118	142	167	192	219	246	273	302	331
			Y1	COOL-D	975	163	190	217	246	275	305	336	368	400
		High	Y1+Y2	COOL-A	1200	245	279	314	349	385	421	457	494	531
			Y1+Y2	COOL-B	1000	171	199	227	256	285	316	347	380	413
			Y1+Y2	COOL-C	1100	206	237	268	300	332	365	399	434	468
			Y1+Y2	COOL-D	1300	286	326	366	405	444	483	522	562	600
	Heat	Heat Pump	Y1	COOL-A	1200	245	279	314	349	385	421	457	494	531
			Y1	COOL-B	1000	171	199	227	256	285	316	347	380	413
			Y1	COOL-C	1100	206	237	268	300	332	365	399	434	468
			Y1	COOL-D	1300	286	326	366	405	444	483	522	562	600
		Heat Pump + Aux. Heat	Y1+W1	COOL-A; HEAT-A	1200	245	279	314	349	-	-	-	-	-
			Y1+W1	COOL-A; HEAT-B	1200	245	279	314	349	-	-	-	-	-
			Y1+W1	COOL-A; HEAT-C	1320	295	336	376	417	-	-	-	-	-
			Y1+W1	COOL-A; HEAT-D	1200	245	279	314	349	-	-	-	-	-
			Y1+W1	COOL-B; HEAT-A	1200	245	279	314	349	-	-	-	-	-
			Y1+W1	COOL-B; HEAT-B	1080	199	229	259	290	-	-	-	-	-
			Y1+W1	COOL-B; HEAT-C	1320	295	336	376	417	-	-	-	-	-
			Y1+W1	COOL-B; HEAT-D	1200	245	279	314	349	-	-	-	-	-
			Y1+W1	COOL-C; HEAT-A	1200	245	279	314	349	-	-	-	-	-
			Y1+W1	COOL-C; HEAT-B	1100	206	237	268	300	-	-	-	-	-
			Y1+W1	COOL-C; HEAT-C	1320	295	336	376	417	-	-	-	-	-
			Y1+W1	COOL-C; HEAT-D	1200	245	279	314	349	-	-	-	-	-
			Y1+W1	COOL-D; HEAT-A	1300	286	326	366	405	-	-	-	-	-
			Y1+W1	COOL-D; HEAT-B	1300	286	326	366	405	-	-	-	-	-
			Y1+W1	COOL-D; HEAT-C	1320	295	336	376	417	-	-	-	-	-
			Y1+W1	COOL-D; HEAT-D	1300	286	326	366	405	-	-	-	-	-

BHX Side Duct Application (Continued)

Model (Tons)	Mode		Thermostat Input	Speed Tap	CFM	External Static Pressure (Inch Water Gauge)								
						0.2	0.3	0.4	0.5	0.6	0.7	0.8	0.9	1.0
						Watts	Watts	Watts	Watts	Watts	Watts	Watts	Watts	Watts
BHX048 (4.0)	Cool	Low	Y1	COOL-A	1050	184	216	248	280	313	346	380	414	448
			Y1	COOL-B	918	138	166	194	224	254	286	318	351	385
			Y1	COOL-C	984	160	190	220	251	282	315	348	381	416
			Y1	COOL-D	1115	210	243	277	311	345	379	414	449	484
		High	Y1+Y2	COOL-A	1600	448	500	551	600	647	693	736	779	819
			Y1+Y2	COOL-B	1400	338	383	426	468	509	549	589	627	664
			Y1+Y2	COOL-C	1500	391	439	486	532	576	618	660	700	739
			Y1+Y2	COOL-D	1700	508	565	620	672	723	772	818	863	905
	Heat	Heat Pump	Y1	COOL-A	1600	448	500	551	600	647	693	736	779	819
			Y1	COOL-B	1400	338	383	426	468	509	549	589	627	664
			Y1	COOL-C	1500	391	439	486	532	576	618	660	700	739
			Y1	COOL-D	1700	508	565	620	672	723	772	818	863	905
		Heat Pump + Aux. Heat	Y1+W1	COOL-A; HEAT-A	1600	448	500	551	600	647	-	-	-	-
				COOL-A; HEAT-B	1600	448	500	551	600	647	-	-	-	-
				COOL-A; HEAT-C	1760	546	606	663	718	771	-	-	-	-
				COOL-A; HEAT-D	1600	448	500	551	600	647	-	-	-	-
			Y1+W1	COOL-B; HEAT-A	1600	448	500	551	600	647	-	-	-	-
				COOL-B; HEAT-B	1440	359	405	449	493	535	-	-	-	-
				COOL-B; HEAT-C	1760	546	606	663	718	771	-	-	-	-
				COOL-B; HEAT-D	1600	448	500	551	600	647	-	-	-	-
			Y1+W1	COOL-C; HEAT-A	1600	448	500	551	600	647	-	-	-	-
				COOL-C; HEAT-B	1500	391	439	486	532	576	-	-	-	-
				COOL-C; HEAT-C	1760	546	606	663	718	771	-	-	-	-
				COOL-C; HEAT-D	1600	448	500	551	600	647	-	-	-	-
Y1+W1	COOL-D; HEAT-A	1700	508	565	620	672	723	-	-	-	-			
	COOL-D; HEAT-B	1700	508	565	620	672	723	-	-	-	-			
	COOL-D; HEAT-C	1760	546	606	663	718	771	-	-	-	-			
	COOL-D; HEAT-D	1700	508	565	620	672	723	-	-	-	-			
BHX060 (5.0)	Cool	Low	Y1	COOL-A	1200	138	176	211	244	275	303	329	352	374
			Y1	COOL-B	1130	61	98	133	163	190	213	232	247	260
			Y1	COOL-C	1270	208	246	283	318	353	386	418	448	478
			Y1	COOL-D	1340	272	310	348	386	423	460	497	533	570
		High	Y1+Y2	COOL-A	1700	487	531	575	621	668	716	765	816	867
			Y1+Y2	COOL-B	1600	446	487	530	574	619	666	714	763	814
			Y1+Y2	COOL-C	1800	514	560	607	654	701	749	798	847	897
			Y1+Y2	COOL-D	1900	526	576	624	672	720	766	813	859	
	Heat	Heat Pump	Y1	COOL-A	1700	487	531	575	621	668	716	765	816	867
			Y1	COOL-B	1600	446	487	530	574	619	666	714	763	814
			Y1	COOL-C	1800	514	560	607	654	701	749	798	847	897
			Y1	COOL-D	1900	526	576	624	672	720	766	813	859	
		Heat Pump + Aux. Heat	Y1+W1	COOL-A; HEAT-A	1900	526	576	624	672	720	-	-	-	-
				COOL-A; HEAT-B	1975	526	578	628	677	723	-	-	-	-
				COOL-A; HEAT-C	2150	495	554	607	656	699	-	-	-	-
				COOL-A; HEAT-D	2070	515	570	622	671	716	-	-	-	-
			Y1+W1	COOL-B; HEAT-A	1900	526	576	624	672	720	-	-	-	-
				COOL-B; HEAT-B	1975	526	578	628	677	723	-	-	-	-
				COOL-B; HEAT-C	2150	495	554	607	656	699	-	-	-	-
				COOL-B; HEAT-D	2070	515	570	622	671	716	-	-	-	-
			Y1+W1	COOL-C; HEAT-A	1900	526	576	624	672	720	-	-	-	-
				COOL-C; HEAT-B	1975	526	578	628	677	723	-	-	-	-
				COOL-C; HEAT-C	2150	495	554	607	656	699	-	-	-	-
				COOL-C; HEAT-D	2070	515	570	622	671	716	-	-	-	-
Y1+W1	COOL-D; HEAT-A	1900	526	576	624	672	720	-	-	-	-			
	COOL-D; HEAT-B	1975	526	578	628	677	723	-	-	-	-			
	COOL-D; HEAT-C	2150	495	554	607	656	699	-	-	-	-			
	COOL-D; HEAT-D	2070	515	570	622	671	716	-	-	-	-			

BHX Bottom Duct Application

Model (Tons)	Mode		Thermostat Input	Speed Tap	CFM	External Static Pressure (Inch Water Gauge)								
						0.2	0.3	0.4	0.5	0.6	0.7	0.8	0.9	1.0
						Watts	Watts	Watts	Watts	Watts	Watts	Watts	Watts	Watts
BHX024 (2.0)	Cool	Low	Y1	COOL-A	600	58	74	91	108	126	143	161	179	197
			Y1	COOL-B	450	39	53	68	84	100	117	134	152	170
			Y1	COOL-C	525	47	63	79	95	112	129	146	164	182
			Y1	COOL-D	675	71	89	106	124	143	161	179	198	217
		High	Y1+Y2	COOL-A	800	99	118	137	157	177	197	217	238	259
			Y1+Y2	COOL-B	600	58	74	91	108	126	143	161	179	197
			Y1+Y2	COOL-C	700	76	94	112	130	149	167	186	205	224
			Y1+Y2	COOL-D	900	127	146	167	188	209	231	254	277	301
	Heat	Heat Pump	Y1	COOL-A	800	99	118	137	157	177	197	217	238	259
			Y1	COOL-B	600	58	74	91	108	126	143	161	179	197
			Y1	COOL-C	700	76	94	112	130	149	167	186	205	224
			Y1	COOL-D	900	127	146	167	188	209	231	254	277	301
		Heat Pump + Aux. Heat	Y1+W1	COOL-A; HEAT-A	800	99	118	137	157	-	-	-	-	-
			Y1+W1	COOL-A; HEAT-B	800	99	118	137	157	-	-	-	-	-
			Y1+W1	COOL-A; HEAT-C	880	121	140	160	181	-	-	-	-	-
			Y1+W1	COOL-A; HEAT-D	800	99	118	137	157	-	-	-	-	-
			Y1+W1	COOL-B; HEAT-A	800	99	118	137	157	-	-	-	-	-
			Y1+W1	COOL-B; HEAT-B	720	80	98	117	135	-	-	-	-	-
			Y1+W1	COOL-B; HEAT-C	880	121	140	160	181	-	-	-	-	-
			Y1+W1	COOL-B; HEAT-D	800	99	118	137	157	-	-	-	-	-
			Y1+W1	COOL-C; HEAT-A	800	99	118	137	157	-	-	-	-	-
			Y1+W1	COOL-C; HEAT-B	720	80	98	117	135	-	-	-	-	-
			Y1+W1	COOL-C; HEAT-C	880	121	140	160	181	-	-	-	-	-
			Y1+W1	COOL-C; HEAT-D	800	99	118	137	157	-	-	-	-	-
			Y1+W1	COOL-D; HEAT-A	900	127	146	167	188	-	-	-	-	-
			Y1+W1	COOL-D; HEAT-B	900	127	146	167	188	-	-	-	-	-
			Y1+W1	COOL-D; HEAT-C	900	127	146	167	188	-	-	-	-	-
			Y1+W1	COOL-D; HEAT-D	900	127	146	167	188	-	-	-	-	-
BHX036 (3.0)	Cool	Low	Y1	COOL-A	900	140	165	191	217	245	273	303	333	364
			Y1	COOL-B	750	98	122	146	171	196	222	248	275	302
			Y1	COOL-C	825	118	142	167	192	219	246	273	302	331
			Y1	COOL-D	975	163	190	217	246	275	305	336	368	400
		High	Y1+Y2	COOL-A	1200	245	279	314	349	385	421	457	494	531
			Y1+Y2	COOL-B	1000	171	199	227	256	285	316	347	380	413
			Y1+Y2	COOL-C	1100	206	237	268	300	332	365	399	434	468
			Y1+Y2	COOL-D	1300	286	326	366	405	444	483	522	562	600
	Heat	Heat Pump	Y1	COOL-A	1200	245	279	314	349	385	421	457	494	531
			Y1	COOL-B	1000	171	199	227	256	285	316	347	380	413
			Y1	COOL-C	1100	206	237	268	300	332	365	399	434	468
			Y1	COOL-D	1300	286	326	366	405	444	483	522	562	600
		Heat Pump + Aux. Heat	Y1+W1	COOL-A; HEAT-A	1200	245	279	314	349	-	-	-	-	-
			Y1+W1	COOL-A; HEAT-B	1200	245	279	314	349	-	-	-	-	-
			Y1+W1	COOL-A; HEAT-C	1320	295	336	376	417	-	-	-	-	-
			Y1+W1	COOL-A; HEAT-D	1200	245	279	314	349	-	-	-	-	-
			Y1+W1	COOL-B; HEAT-A	1200	245	279	314	349	-	-	-	-	-
			Y1+W1	COOL-B; HEAT-B	1080	199	229	259	290	-	-	-	-	-
			Y1+W1	COOL-B; HEAT-C	1320	295	336	376	417	-	-	-	-	-
			Y1+W1	COOL-B; HEAT-D	1200	245	279	314	349	-	-	-	-	-
			Y1+W1	COOL-C; HEAT-A	1200	245	279	314	349	-	-	-	-	-
			Y1+W1	COOL-C; HEAT-B	1100	206	237	268	300	-	-	-	-	-
			Y1+W1	COOL-C; HEAT-C	1320	295	336	376	417	-	-	-	-	-
			Y1+W1	COOL-C; HEAT-D	1200	245	279	314	349	-	-	-	-	-
			Y1+W1	COOL-D; HEAT-A	1300	286	326	366	405	-	-	-	-	-
			Y1+W1	COOL-D; HEAT-B	1300	286	326	366	405	-	-	-	-	-
			Y1+W1	COOL-D; HEAT-C	1320	295	336	376	417	-	-	-	-	-
			Y1+W1	COOL-D; HEAT-D	1300	286	326	366	405	-	-	-	-	-

BHX Bottom Duct Application (Continued)

Model (Tons)	Mode		Thermostat Input	Speed Tap	CFM	External Static Pressure (Inch Water Gauge)								
						0.2	0.3	0.4	0.5	0.6	0.7	0.8	0.9	1.0
						Watts	Watts	Watts	Watts	Watts	Watts	Watts	Watts	Watts
BHX048 (4.0)	Cool	Low	Y1	COOL-A	1050	184	216	248	280	313	346	380	414	448
			Y1	COOL-B	918	138	166	194	224	254	286	318	351	385
			Y1	COOL-C	984	160	190	220	251	282	315	348	381	416
			Y1	COOL-D	1115	210	243	277	311	345	379	414	449	484
		High	Y1+Y2	COOL-A	1600	448	500	551	600	647	693	736	779	819
			Y1+Y2	COOL-B	1400	338	383	426	468	509	549	589	627	664
			Y1+Y2	COOL-C	1500	391	439	486	532	576	618	660	700	739
			Y1+Y2	COOL-D	1700	508	565	620	672	723	772	818	863	905
	Heat	Heat Pump	Y1	COOL-A	1600	448	500	551	600	647	693	736	779	819
			Y1	COOL-B	1400	338	383	426	468	509	549	589	627	664
			Y1	COOL-C	1500	391	439	486	532	576	618	660	700	739
			Y1	COOL-D	1700	508	565	620	672	723	772	818	863	905
		Heat Pump + Aux. Heat	Y1+W1	COOL-A; HEAT-A	1600	448	500	551	600	647	-	-	-	-
			Y1+W1	COOL-A; HEAT-B	1600	448	500	551	600	647	-	-	-	-
			Y1+W1	COOL-A; HEAT-C	1760	546	606	663	718	771	-	-	-	-
			Y1+W1	COOL-A; HEAT-D	1600	448	500	551	600	647	-	-	-	-
			Y1+W1	COOL-B; HEAT-A	1600	448	500	551	600	647	-	-	-	-
			Y1+W1	COOL-B; HEAT-B	1440	359	405	449	493	535	-	-	-	-
			Y1+W1	COOL-B; HEAT-C	1760	546	606	663	718	771	-	-	-	-
			Y1+W1	COOL-B; HEAT-D	1600	448	500	551	600	647	-	-	-	-
			Y1+W1	COOL-C; HEAT-A	1600	448	500	551	600	647	-	-	-	-
			Y1+W1	COOL-C; HEAT-B	1500	391	439	486	532	576	-	-	-	-
			Y1+W1	COOL-C; HEAT-C	1760	546	606	663	718	771	-	-	-	-
			Y1+W1	COOL-C; HEAT-D	1600	448	500	551	600	647	-	-	-	-
Y1+W1	COOL-D; HEAT-A	1700	508	565	620	672	723	-	-	-	-			
Y1+W1	COOL-D; HEAT-B	1700	508	565	620	672	723	-	-	-	-			
Y1+W1	COOL-D; HEAT-C	1760	546	606	663	718	771	-	-	-	-			
Y1+W1	COOL-D; HEAT-D	1700	508	565	620	672	723	-	-	-	-			
BHX060 (5.0)	Cool	Low	Y1	COOL-A	1200	138	176	211	244	275	303	329	352	374
			Y1	COOL-B	1130	61	98	133	163	190	213	232	247	260
			Y1	COOL-C	1270	208	246	283	318	353	386	418	448	478
			Y1	COOL-D	1340	272	310	348	386	423	460	497	533	570
		High	Y1+Y2	COOL-A	1700	487	531	575	621	668	716	765	816	867
			Y1+Y2	COOL-B	1600	446	487	530	574	619	666	714	763	814
			Y1+Y2	COOL-C	1800	514	560	607	654	701	749	798	847	897
			Y1+Y2	COOL-D	1900	526	576	624	672	720	766	813	859	-
	Heat	Heat Pump	Y1	COOL-A	1700	487	531	575	621	668	716	765	816	867
			Y1	COOL-B	1600	446	487	530	574	619	666	714	763	814
			Y1	COOL-C	1800	514	560	607	654	701	749	798	847	897
			Y1	COOL-D	1900	526	576	624	672	720	766	813	859	-
		Heat Pump + Aux. Heat	Y1+W1	COOL-A; HEAT-A	1900	526	576	624	672	720	-	-	-	-
			Y1+W1	COOL-A; HEAT-B	1975	526	578	628	677	723	-	-	-	-
			Y1+W1	COOL-A; HEAT-C	2150	495	554	607	656	699	-	-	-	-
			Y1+W1	COOL-A; HEAT-D	2070	515	570	622	671	716	-	-	-	-
			Y1+W1	COOL-B; HEAT-A	1900	526	576	624	672	720	-	-	-	-
			Y1+W1	COOL-B; HEAT-B	1975	526	578	628	677	723	-	-	-	-
			Y1+W1	COOL-B; HEAT-C	2150	495	554	607	656	699	-	-	-	-
			Y1+W1	COOL-B; HEAT-D	2070	515	570	622	671	716	-	-	-	-
			Y1+W1	COOL-C; HEAT-A	1900	526	576	624	672	720	-	-	-	-
			Y1+W1	COOL-C; HEAT-B	1975	526	578	628	677	723	-	-	-	-
			Y1+W1	COOL-C; HEAT-C	2150	495	554	607	656	699	-	-	-	-
			Y1+W1	COOL-C; HEAT-D	2070	515	570	622	671	716	-	-	-	-
Y1+W1	COOL-D; HEAT-A	1900	526	576	624	672	720	-	-	-	-			
Y1+W1	COOL-D; HEAT-B	1975	526	578	628	677	723	-	-	-	-			
Y1+W1	COOL-D; HEAT-C	2150	495	554	607	656	699	-	-	-	-			
Y1+W1	COOL-D; HEAT-D	2070	515	570	622	671	716	-	-	-	-			

Additional Static Resistance

Model (Tons)	CFM	Wet Indoor Coil	Economizer ¹	Filter/Frame Kit	Electric Heat
BHZ/BHQ/BHX 024 (2.0)	500	0.01	0.00	0.01	0.02
	600	0.01	0.00	0.02	0.03
	700	0.01	0.00	0.02	0.03
	800	0.01	0.01	0.02	0.03
	900	0.01	0.01	0.02	0.04
	1000	0.02	0.01	0.02	0.04
	1100	0.03	0.01	0.03	0.05
	1200	0.04	0.02	0.03	0.06
BHZ/BHQ 030 (2.5)	700	0.01	0.00	0.02	0.03
	800	0.01	0.01	0.02	0.03
	900	0.01	0.01	0.02	0.04
	1000	0.02	0.01	0.02	0.04
	1100	0.03	0.01	0.03	0.05
	1200	0.04	0.02	0.03	0.06
BHZ/BHQ/BHX 036 (3.0)	700	0.01	0.00	0.02	0.03
	800	0.01	0.01	0.02	0.03
	900	0.01	0.01	0.02	0.04
	1000	0.02	0.01	0.02	0.04
	1100	0.03	0.01	0.03	0.05
	1200	0.04	0.02	0.03	0.06
	1300	0.04	0.03	0.03	0.07
	1400	0.04	0.04	0.03	0.08
BHZ/BHQ 042 (3.5)	1100	0.03	0.01	0.03	0.05
	1200	0.04	0.02	0.03	0.06
	1300	0.04	0.03	0.03	0.07
	1400	0.04	0.04	0.03	0.08
	1500	0.04	0.05	0.04	0.09
	1600	0.04	0.06	0.05	0.10
	1700	0.05	0.07	0.05	0.11
	1800	0.05	0.07	0.06	0.11
	1900	0.06	0.08	0.06	0.11
	2000	0.07	0.08	0.07	0.12
BHZ/BHQ/BHX 048 (4.0)	1100	0.03	0.01	0.03	0.05
	1200	0.04	0.02	0.03	0.06
	1300	0.04	0.03	0.03	0.07
	1400	0.04	0.04	0.03	0.08
	1500	0.04	0.05	0.04	0.09
	1600	0.04	0.06	0.05	0.10
	1700	0.05	0.07	0.05	0.11
	1800	0.05	0.07	0.06	0.11
	1900	0.06	0.08	0.06	0.11
	2000	0.07	0.08	0.07	0.12
BHZ/BHQ/BHX 060 (5.0)	1100	0.03	0.01	0.03	0.05
	1200	0.04	0.02	0.03	0.06
	1300	0.04	0.03	0.03	0.07
	1400	0.04	0.04	0.03	0.08
	1500	0.04	0.05	0.04	0.09
	1600	0.04	0.06	0.05	0.10
	1700	0.05	0.07	0.05	0.11
	1800	0.05	0.07	0.06	0.11
	1900	0.06	0.08	0.06	0.11
	2000	0.07	0.08	0.07	0.12

1. The pressure drop through the economizer is greater for 100% outdoor air than for 100% return air. If the resistance of the return air duct is less than 0.25 IWG, the unit will deliver less CFM during full economizer operation.

BHZ Electric Heat Minimum Supply Air

Model (Tons)	Voltage	Minimum Supply Air (CFM)					
		Heater kW					
		5.0	7.5	10.0	15.0	20.0	25.0
BHZ024 (2.0)	208/230-1-60	630	630	800	-	-	-
BHZ030 (2.5)	208/230-1-60	630	630	800	800	-	-
	208/230-3-60	630	630	800	800	-	-
	460-3-60	630	630	800	800	-	-
BHZ036 (3.0)	208/230-1-60	1070	1070	1070	1070	-	-
	208/230-3-60	1070	1070	1070	1070	-	-
	460-3-60	1070	1070	1070	1070	-	-
BHZ042 (3.5)	208/230-1-60	1225	1225	1225	1225	-	-
	208/230-3-60	1225	1225	1225	1225	-	-
	460-3-60	1225	1225	1225	1225	-	-
BHZ048 (4.0)	208/230-1-60	-	-	1200	1430	1430	1430
	208/230-3-60	-	-	1200	1430	1430	1430
	460-3-60	-	-	1200	1430	1430	1430
BHZ060 (5.0)	208/230-1-60	-	-	1615	1615	1955	1955
	208/230-3-60	-	-	1615	1615	1955	1955
	460-3-60	-	-	1615	1615	1955	1955

BHQ Electric Heat Minimum Supply Air

Model (Tons)	Voltage	Minimum Supply Air (CFM)					
		Heater kW					
		3.8/5.0	5.6/7.5	7.5/10.0	11.3/15.0	15.0/20.0	18.8/25.0
BHQ024 (2.0)	208/230-1-60	720	720	720	-	-	-
BHQ030 (2.5)	208/230-1-60	1000	1000	1000	1000	-	-
	208/230-3-60	1000	1000	1000	1000	-	-
	460-3-60	1000	1000	1000	1000	-	-
BHQ036 (3.0)	208/230-1-60	1080	1080	1080	1080	-	-
	208/230-3-60	1080	1080	1080	1080	-	-
	460-3-60	1080	1080	1080	1080	-	-
BHQ042 (3.5)	208/230-1-60	-	-	1400	1400	-	-
BHQ048 (4.0)	208/230-1-60	-	-	1440	1440	1440	1440
	208/230-3-60	-	-	1440	1440	1440	1440
	460-3-60	-	-	1440	1440	1440	1440
BHQ060 (5.0)	208/230-1-60	-	-	1900	1900	1900	1900
	208/230-3-60	-	-	1900	1900	1900	1900
	460-3-60	-	-	1900	1900	1900	1900

BHX Electric Heat Minimum Supply Air

Model (Tons)	Voltage	Minimum Supply Air (CFM)					
		Heater kW					
		5.0	7.5	10.0	15.0	20.0	25.0
BHX024 (2.0)	208/230-1-60	630	630	800	-	-	-
BHX036 (3.0)	208/230-1-60	1070	1070	1070	1070	-	-
	208/230-3-60	1070	1070	1070	1070	-	-
	460-3-60	1070	1070	1070	1070	-	-
BHX048 (4.0)	208/230-1-60	-	-	1200	1430	1430	1430
	208/230-3-60	-	-	1200	1430	1430	1430
	460-3-60	-	-	1200	1430	1430	1430
BHX060 (5.0)	208/230-1-60	-	-	1615	1615	1955	1955
	208/230-3-60	-	-	1615	1615	1955	1955
	460-3-60	-	-	1615	1615	1955	1955

BHZ/BHQ/BHX Indoor Blower Specifications

Model (Tons)	Motor				
	HP	RPM	Eff.	SF	Frame
024 (2.0)	1/2	Variable	0.8	1.0	48
030 (2.5)	1/2	Variable	0.8	1.0	48
036 (3.0)	3/4	Variable	0.8	1.0	48
042 (3.5)	3/4	Variable	0.8	1.0	48
048 (4.0)	3/4	Variable	0.8	1.0	48
060 (5.0)	1	Variable	0.8	1.0	48

Electric Heat Multipliers

Voltage		kW Capacity Multipliers ¹
Nominal	Applied	
240	208	0.75
	230	0.92
480	460	0.92

1. Electric heaters are rated at nominal voltage. Use this table to determine the electric heat capacity for heaters applied at lower voltages.

Sound Performance**BHZ Outdoor Sound Power Levels**

Model (Tons)	Sound Rating ¹ dB (A)	Octave Band Centerline Frequency (Hz)						
		125	250	500	1000	2000	4000	8000
BHZ024 (2.0)	77	64	74	71	69	65.5	58	46
BHZ030 (2.5)	77	65	66.5	72	71.5	68.5	65.5	64.5
BHZ036 (3.0)	78	67.5	67	73	73	69	64.5	61.5
BHZ042 (3.5)	77	64.5	67	71.5	72.5	69.5	64.5	59
BHZ048 (4.0)	78	65	67	72	72	69	67.5	63
BHZ060 (5.0)	85	70	72.5	79	79.5	76	73.5	73

1. Rated in accordance with AHRI 270 standard.

BHQ Outdoor Sound Power Levels

Model (Tons)	Sound Rating ¹ dB (A)	Octave Band Centerline Frequency (Hz)						
		125	250	500	1000	2000	4000	8000
BHQ024 (2.0)	75	65.5	66.5	69	69.5	64	62	57
BHQ030 (2.5)	77	65	66.5	72	71.5	68.5	65.5	64.5
BHQ036 (3.0)	79	73	71.5	72	71	67	64.5	60
BHQ042 (3.5)	77	64.5	67	71.5	72.5	69.5	64.5	59
BHQ048 (4.0)	80	70	71	75	74	70	66	67
BHQ060 (5.0)	80	67	69	73.5	77	69	66.5	60

1. Rated in accordance with ARI 270 standard.

BHX Outdoor Sound Power Levels

Model (Tons)	Sound Rating ¹ dB (A)	Octave Band Centerline Frequency (Hz)						
		125	250	500	1000	2000	4000	8000
BHX024 (2.0)	75	65.5	66.5	69	69.5	64	62	57
BHX036 (3.0)	79	73	71.5	72	71	67	64.5	60
BHX048 (4.0)	80	70	71	75	74	70	66	67
BHX060 (5.0)	80	67	69	73.5	77	69	66.5	60

1. Rated in accordance with AHRI 270 standard.

Electrical Data

BHZ024-060 Heat Pump With/Without Electric Heat

Model (Tons)	Volt	Compressors (each)			OD Fan Motors (each)	Supply Blower Motor	Electric Heat Option				MCA ¹ (Amps)	Max Fuse ^{2/} Breaker ³ Size (Amps)
		RLA	LRA	MCC	FLA	FLA	Model	kW	Stages	Amps		
BHZ024 (2.0)	208/230-1-60	12.8	60	20	1.2	4.1	None	-	-	-	21.3	30
							2NH04500506	3.8/5	1	18.1/20.8	43.9/47.3	50/50
							2NH04500706	5.6/7.5	2	27.1/31.3	55.2/60.4	60/70
							2NH04501006	7.5/10	2	36.1/41.7	66.4/73.4	70/80
							2NE04500706	5.6 / 7.5	2	27.1 / 31.3	33.9 / 39.1	35 / 40
							2NE04501006	7.5 / 10	2	36.1 / 41.7	45.1 / 52.1	50 / 60
BHZ030 (2.5)	208/230-1-60	14.7	73	23	1.2	4.1	None	-	-	-	23.7	30
							2NH04500506	3.8/5	1	18.1/20.8	46.2/49.7	50/50
							2NH04500706	5.6/7.5	2	27.1/31.3	57.5/62.7	60/70
							2NH04501006	7.5/10	2	36.1/41.7	68.8/75.8	70/80
							2NH04501506	11.3/15	2	54.2/62.5	91.4/101.8	100/110
							2NE04500706	5.6 / 7.5	2	27.1 / 31.3	33.9 / 39.1	35 / 40
	208/230-3-60	10.4	60	16	1.2	4.1	None	-	-	-	18.3	25
							2NH04501025	7.5/10	1	20.8/24.1	44.4/48.4	45/50
							2NH04501525	11.3/15	1	31.3/36.1	57.4/63.4	60/70
							None	-	-	-	8.5	15
							2NH04501046	10	1	12	23.5	25
							2NH04501546	15	1	18	31	35
460-3-60	4.5	31	7	0.8	4.1	None	-	-	-	8.5	15	
						2NH04501046	10	1	12	23.5	25	
						2NH04501546	15	1	18	31	35	
BHZ036 (3.0)	208/230-1-60	15.4	83	24	1.2	6.0	None	-	-	-	26.5	35
							2NH04500506	3.8/5	1	18.1/20.8	49/52.5	50/60
							2NH04500706	5.6/7.5	2	27.1/31.3	60.3/65.5	70/70
							2NH04501006	7.5/10	2	36.1/41.7	71.6/78.5	80/80
							2NH04501506	11.3/15	2	54.2/62.5	94.2/104.6	100/110
							2NE04500706	5.6 / 7.5	2	27.1 / 31.3	33.9 / 39.1	35 / 40
	208/230-3-60	11.5	77	18	1.2	6.0	None	-	-	-	21.6	30
							2NH04501025	7.5/10	1	20.8/24.1	47.6/51.6	50/60
							2NH04501525	11.3/15	1	31.3/36.1	60.7/66.7	70/70
							None	-	-	-	10.1	15
							2NH04501046	10	1	12	25.2	30
							2NH04501546	15	1	18	32.7	35
460-3-60	5.1	35	8	0.8	6.0	None	-	-	-	10.1	15	
						2NH04501046	10	1	12	25.2	30	
						2NH04501546	15	1	18	32.7	35	
BHZ042 (3.5)	208/230-1-60	18.6	105	29	1.2	6.0	None	-	-	-	30.5	40
							2NP04501006	7.5/10	2	36.1/41.7	75.6/82.5	80/90
							2NP04501506	11.3/15	2	54.2/62.5	98.2/108.6	100/110
							2NE04501006	7.5 / 10	2	36.1 / 41.7	45.1 / 52.1	50 / 60
							2NE04501506	11.3 / 15	2	54.2 / 62.5	67.7 / 78.1	70 / 80
							None	-	-	-	24	30
	208/230-3-60	13.4	88	21	1.2	6.0	2NP04501025	7.5/10	1	20.8/24.1	50/54	60/60
							2NP04501525	11.3/15	1	31.3/36.1	63/69.1	70/70
							None	-	-	-	11.8	15
							2NP04501046	10	1	12	26.8	30
							2NP04501546	15	1	18	34.3	35
							None	-	-	-	11.8	15
460-3-60	6.4	39	10	0.8	6.0	2NP04501046	10	1	12	26.8	30	
						2NP04501546	15	1	18	34.3	35	
						None	-	-	-	11.8	15	
BHZ048 (4.0)	208/230-1-60	21.8	117	34	1.2	6.0	None	---	---	---	34.5	45
							2NP04501006	7.5 / 10	2	36.1 / 41.7	79.6 / 86.5	90 / 90
							2NP04501506	11.3 / 15	2	54.2 / 62.5	102.2 / 112.6	110 / 125
							2NP04502006	15 / 20	2	72.2 / 83.3	124.7 / 138.6	125 / 150
							2NP04502506	18.8 / 25	2	90.3 / 104.2	147.3 / 164.7	150 / 175
							2NE04501006	7.5 / 10	2	36.1 / 41.7	45.1 / 51.2	50 / 60
							2NE04501506	11.3 / 15	2	54.2 / 62.5	67.7 / 78.1	70 / 80
							2NE04502006	15 / 20	2	72.2 / 83.3	90.3 / 104.2	100 / 110
							2NE04502506	18.8 / 25	2	90.3 / 104.2	112.8 / 130.2	125 / 150
	208/230-3-60	13.7	83	21	1.2	6.0	None	---	---	---	24.3	30
							2NP04501025	7.5 / 10	1	20.8 / 24.1	50.4 / 54.4	60 / 60
							2NP04501525	11.3 / 15	1	31.3 / 36.1	63.4 / 69.4	70 / 70
							2NP04502025	15 / 20	2	41.7 / 48.1	76.4 / 84.5	80 / 90
							2NP04502525	18.8 / 25	2	52.1 / 60.1	89.5 / 99.5	90 / 100
							None	---	---	---	11.5	15
							2NP04501046	10	1	12	26.6	30
							2NP04501546	15	1	18	34.1	35
							2NH04502046	20	2	24.1	41.6	45
460-3-60	6.2	41	10	0.8	6.0	None	---	---	---	11.5	15	
						2NP04501046	10	1	12	26.6	30	
						2NP04501546	15	1	18	34.1	35	
2NH04502046	20	2	24.1	41.6	45							
2NH04502546	25	2	30.1	49.1	50							

BHZ024-060 Heat Pump With/Without Electric Heat (Continued)

Model (Tons)	Volt	Compressors (each)			OD Fan Motors (each)	Supply Blower Motor	Electric Heat Option				MCA ¹ (Amps)	Max Fuse ² / Breaker ³ Size (Amps)
		RLA	LRA	MCC	FLA	FLA	Model	kW	Stages	Amps		
BHZ060 (5.0)	208/230-1-60	25.0	134	39	2.3	7.6	None	---	---	---	41.2	50
							2NP04501006	7.5 / 10	2	36.1 / 41.7	86.3 / 93.2	100 / 100
							2NP04501506	11.3 / 15	2	54.2 / 62.5	108.9 / 119.3	110 / 125
							2NP04502006	15 / 20	2	72.2 / 83.3	131.4 / 145.3	150 / 150
							2NP04502506	18.8 / 25	2	90.3 / 104.2	154 / 171.4	175 / 175
							2NE04501006	7.5 / 10	2	36.1 / 41.7	45.1 / 51.2	50 / 60
							2NE04501506	11.3 / 15	2	54.2 / 62.5	67.7 / 78.1	70 / 80
							2NE04502006	15 / 20	2	72.2 / 83.3	90.3 / 104.2	100 / 110
	2NE04502506	18.8 / 25	2	90.3 / 104.2	112.8 / 130.2	125 / 150						
	208/230-3-60	15.9	110	25	2.3	7.6	None	---	---	---	29.8	40
							2NH04501025	7.5 / 10	1	20.8 / 24.1	55.8 / 59.8	60 / 60
							2NH04501525	11.3 / 15	1	31.3 / 36.1	68.9 / 74.9	70 / 80
							2NH04502025	15 / 20	2	41.7 / 48.1	81.9 / 89.9	90 / 90
							2NH04502525	18.8 / 25	2	52.1 / 60.1	94.9 / 105	100 / 110
	460-3-60	7.0	52	11	1.3	7.6	None	---	---	---	13.9	20
							2NP04501046	10	1	12	28.9	30
							2NP04501546	15	1	18	36.4	40
							2NH04502046	20	2	24.1	43.9	45
							2NP04502546	25	2	30.1	51.4	60

1. Minimum Circuit Ampacity.
2. Maximum Over Current Protection per standard UL 1995.
3. Fuse or HACR circuit breaker size installed at factory or field installed.

BHQ 024 - 060 Heat Pump With/Without Electric Heat

Model (Tons)	Volt	Compressors			OD Fan Motors	Supply Blower Motor	Electric Heat Option				MCA ¹ (Amps)	Max Fuse ² / Breaker ³ Size (Amps)
		RLA	LRA	MCC	FLA		FLA	Model	kW	Stages		
BHQ024 (2.0)	208/230-1-60	13.4	58	21	2.6	4.3	None	-	-	-	23.7	30
							2NH04500506	3.8 / 5	1	18.1 / 20.8	46.2 / 49.7	50 / 50
							2NH04500706	5.6 / 7.5	2	27.1 / 31.3	57.5 / 62.7	60 / 70
							2NH04501006	7.5 / 10	2	36.1 / 41.7	68.8 / 75.7	70 / 80
							2NE04500706	5.6 / 7.5	2	27.1 / 31.3	33.9 / 39.1	35 / 40
2NE04501006	7.5 / 10	2	36.1 / 41.7	45.1 / 52.1	50 / 60							
BHQ030 (2.5)	208/230-1-60	14.1	73	22	2.6	4.3	None	--	-	--	24.5	30
							2NH04500506	3.8 / 5	1	18.1 / 20.8	47.1 / 50.6	50 / 60
							2NH04500706	5.6 / 7.5	2	27.1 / 31.3	58.4 / 63.6	60 / 70
							2NH04501006	7.5 / 10	2	36.1 / 41.7	69.7 / 76.6	70 / 80
							2NH04501506	11.3 / 15	2	54.2 / 62.5	92.2 / 102.7	100 / 110
							2NE04500706	5.6 / 7.5	2	27.1 / 31.3	33.9 / 39.1	35 / 40
	208/230-3-60	8.9	58	14	2.6	4.3	None	--	-	--	18	25
							2NH04501025	7.5 / 10	1	20.8 / 24.1	44.1 / 48.1	45 / 50
							2NH04501525	11.3 / 15	1	31.3 / 36.1	57.1 / 63.1	60 / 70
	460-3-60	4.2	28	7	1.3	2.2	None	--	-	--	8.8	15
							2NH04501046	10	1	12	23.8	25
							2NH04501546	15	1	18	31.3	35
BHQ036 (3.0)	208/230-1-60	16.6	79	26	2.6	6.8	None	-	-	-	30.2	40
							2NH04500506	3.8 / 5	1	18.1 / 20.8	52.7 / 56.2	60 / 60
							2NH04500706	5.6 / 7.5	2	27.1 / 31.3	64 / 69.2	70 / 70
							2NH04501006	7.5 / 10	2	36.1 / 41.7	75.3 / 82.2	80 / 90
							2NH04501506	11.3 / 15	2	54.2 / 62.5	97.9 / 108.3	100 / 110
							2NE04500706	5.6 / 7.5	2	27.1 / 31.3	33.9 / 39.1	35 / 40
	208/230-3-60	10.4	73	16	2.6	6.8	None	-	-	-	22.4	30
							2NH04501025	7.5 / 10	1	20.8 / 24.1	48.5 / 52.5	50 / 60
							2NH04501525	11.3 / 15	1	31.3 / 36.1	61.5 / 67.5	70 / 70
	460-3-60	5.8	38	9	1.3	3.4	None	-	-	-	12	15
							2NH04501046	10	1	12	27	30
							2NH04501546	15	1	18	34.5	35
BHQ042 (3.5)	208/230-1-60	17.9	112	28	2.6	6.8	None	-	-	-	36.7	45
							2NP04501006	7.5 / 10	2	36.1 / 41.7	31.8	40
							2NP04501506	11.3 / 15	2	54.2 / 62.5	76.9 / 83.9	80 / 90
							2NE04501006	7.5 / 10	2	36.1 / 41.7	99.5 / 109.9	100 / 110
							2NE04501506	11.3 / 15	2	54.2 / 62.5	45.1 / 52.1	50 / 60
BHQ048 (4.0)	208/230-1-60	24.0	117	34	2.6	6.8	None	-	-	-	39.4	50
							2NP04501006	7.5 / 10	2	36.1 / 41.7	84.5 / 89.2	90 / 100
							2NP04501506	11.3 / 15	2	54.2 / 62.5	107.1 / 115.3	110 / 125
							2NP04502006	15 / 20	2	72.2 / 83.3	129.7 / 141.3	150 / 150
							2NP04502506	18.8 / 25	2	90.3 / 104.2	152.2 / 167.4	175 / 175
							2NE04501006	7.5 / 10	2	36.1 / 41.7	45.1 / 52.1	50 / 60
	208/230-3-60	13.7	83	21	2.6	6.8	None	-	-	-	26.5	35
							2NP04501025	7.5 / 10	1	20.8 / 24.1	52.6 / 56.6	60 / 60
							2NP04501525	11.3 / 15	1	31.3 / 36.1	65.6 / 71.6	70 / 80
	460-3-60	6.2	41	10	1.3	3.4	None	-	-	-	12.5	15
							2NP04501046	10	1	12	27.5	30
							2NP04501546	15	1	18	35	40
							2NP04502046	20	2	24.1	42.5	45
							2NP04502546	25	2	30.1	50	60
							2NE04502506	18.8 / 25	2	90.3 / 104.2	112.8 / 130.2	125 / 150

BHQ 024 - 060 Heat Pump With/Without Electric Heat (Continued)

Model (Tons)	Volt	Compressors			OD Fan Motors	Supply Blower Motor	Electric Heat Option				MCA ¹ (Amps)	Max Fuse ² / Breaker ³ Size (Amps)
		RLA	LRA	MCC	FLA	FLA	Model	kW	Stages	Amps		
BHQ060 (5.0)	208/230-1-60	25.0	134	39	4.4	9.1	None	-	-	-	44.8	60
							2NP04501006	7.5 / 10	2	36.1 / 41.7	89.9 / 96.8	100 / 110
							2NP04501506	11.3 / 15	2	54.2 / 62.5	112.5 / 122.9	125 / 125
							2NH04502006	15 / 20	2	72.2 / 83.3	135 / 148.9	150 / 150
							2NP04502506	18.8 / 25	2	90.3 / 104.2	157.6 / 175	175 / 175
							2NE04501006	7.5 / 10	2	36.1 / 41.7	45.1 / 52.1	50 / 60
							2NE04501506	11.3 / 15	2	54.2 / 62.5	67.7 / 78.1	70 / 80
							2NE04502006	15 / 20	2	72.2 / 83.3	90.3 / 104.2	100 / 110
	2NE04502506	18.8 / 25	2	90.3 / 104.2	112.8 / 130.2	125 / 150						
	208/230-3-60	15.9	110	25	4.4	9.1	None	-	-	-	33.4	45
							2NH04501025	7.5 / 10	1	20.8 / 24.1	59.4 / 63.4	70 / 70
							2NH04501525	11.3 / 15	1	31.3 / 36.1	72.5 / 78.5	80 / 80
							2NH04502025	15 / 20	2	41.7 / 48.1	85.5 / 93.5	90 / 100
							2NH04502525	18.8 / 25	2	52.1 / 60.1	98.5 / 108.6	100 / 110
	460-3-60	7.0	52	11	2.2	4.6	None	-	-	-	15.6	20
							2NP04501046	10	1	12	30.6	35
							2NH04501546	15	1	18	38.1	40
							2NH04502046	20	2	24.1	45.6	50
							2NP04502546	25	2	30.1	53.1	60

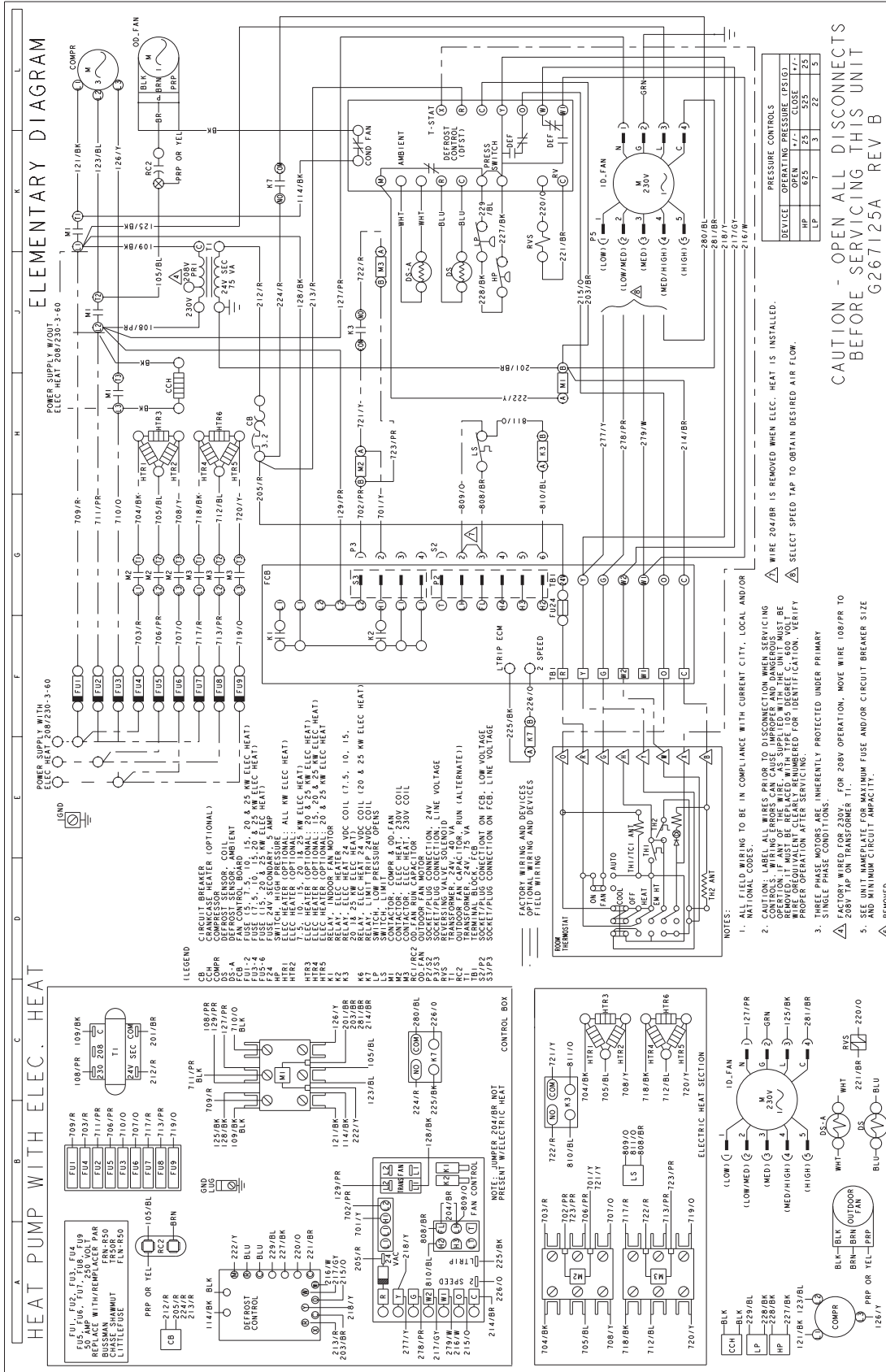
1. Minimum Circuit Ampacity.
2. Maximum Over Current Protection per standard UL 1995.
3. Fuse or HACR circuit breaker size installed at factory or field installed.

BHX 024 - 060 Heat Pump With/Without Electric Heat

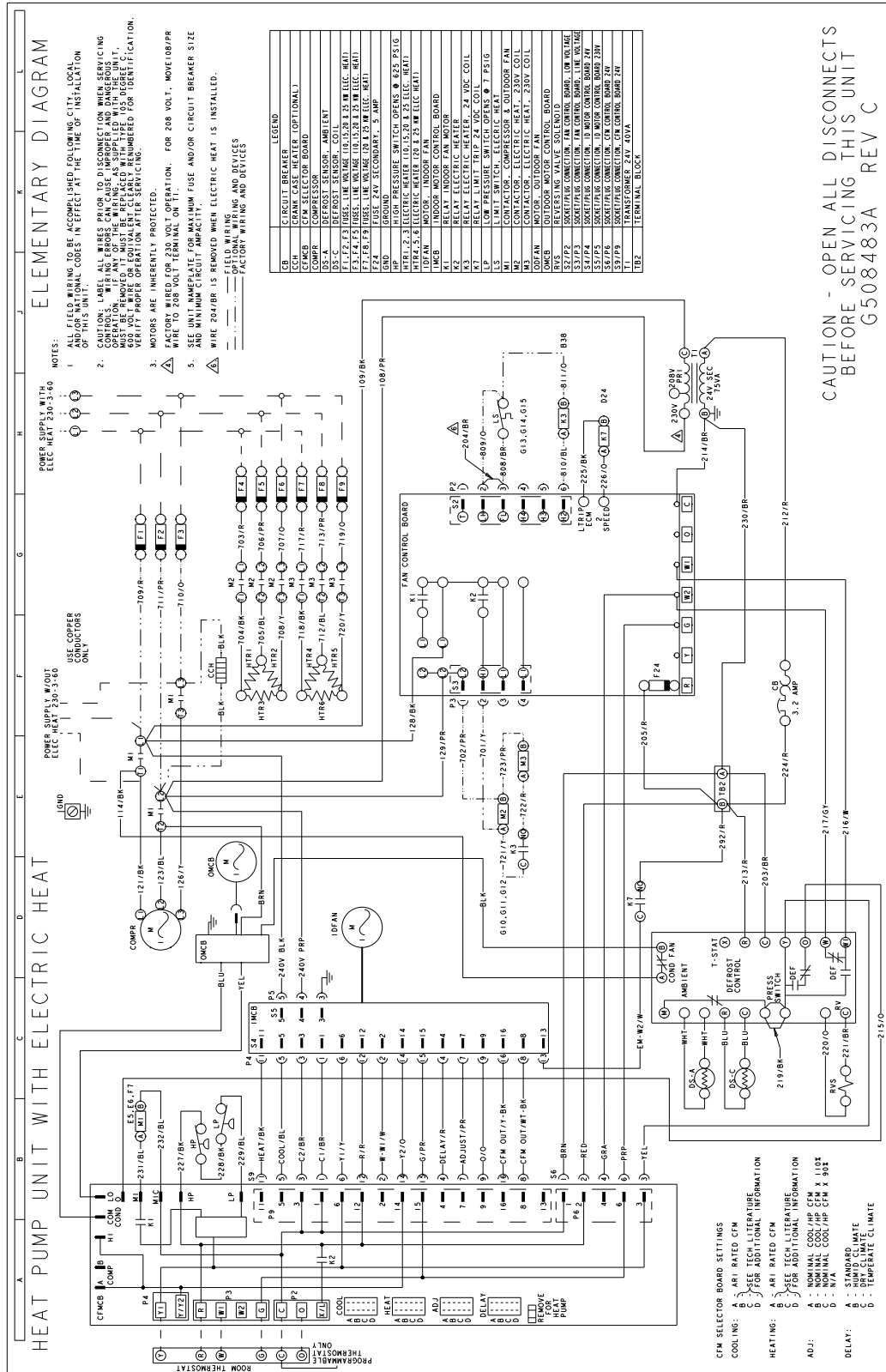
Models (Tons)	Volt	Compressors			OD Fan Motors	Supply Blower Motor	Electric Heat Option				MCA ¹ (Amps)	Max Fuse ² / Breaker ³ Size (Amps)
		RLA	LRA	MCC	FLA	FLA	Model	kW	Stages	Amps		
BHx024 (2.0)	208/230-1-60	10.2	52	16	0.9	4.3	None	-	-	-	18	25
							2NH04500506	3.8/5	1	18.1/20.8	40.5/44	45/45
							2NH04500706	5.6/7.5	2	27.1/31.3	51.8/57	60/60
							2NH04501006	7.5/10	2	36.1/41.7	63.1/70	70/80
							2NE04500706	5.6 / 7.5	2	27.1 / 31.3	33.9 / 39.1	35 / 40
2NE04501006	7.5 / 10	2	36.1 / 41.7	45.1 / 52.1	50 / 60							
BHx036 (3.0)	208/230-1-60	16.6	82	26	1.1	6.8	None	-	-	-	28.7	35
							2NH04500506	3.8/5	1	18.1/20.8	51.2/54.7	60/60
							2NH04500706	5.6/7.5	2	27.1/31.3	62.5/67.7	70/70
							2NH04501006	7.5/10	2	36.1/41.7	73.8/80.7	80/90
							2NH04501506	11.3/15	2	54.2/62.5	96.4/106.8	100/110
							2NE04500706	5.6 / 7.5	2	27.1 / 31.3	33.9 / 39.1	35 / 40
							2NE04501006	7.5 / 10	2	36.1 / 41.7	45.1 / 52.1	50 / 60
	2NE04501506	11.3 / 15	2	54.2 / 62.5	67.7 / 78.1	70 / 80						
	208/230-3-60	11.1	58	17	1.1	6.8	None	-	-	-	21.8	30
							2NH04501025	7.5/10	1	20.8/24.1	47.8/51.8	50/60
							2NH04501525	11.3/15	1	31.3/36.1	60.9/66.9	70/70
	460-3-60	4.5	29	7	0.6	3.4	None	-	-	-	9.6	15
							2NH04501046	10	1	12	24.7	25
2NH04501546							15	1	18	32.2	35	
BHx048 (4.0)	208/230-1-60	21.1	96	33	2.6	6.8	None	-	-	-	35.8	45
							2NP04501006	7.5/10	2	36.1/41.7	80.9/87.9	90/90
							2NP04501506	11.3/15	2	54.2/62.5	103.5/113.9	110/125
							2NP04502006	15/20	2	72.2/83.3	126.1/139.9	150/150
							2NP04502506	18.8/25	2	90.3/104.2	148.6/166	150/175
							2NE04501006	7.5 / 10	2	36.1 / 41.7	45.1 / 52.1	50 / 60
							2NE04501506	11.3 / 15	2	54.2 / 62.5	67.7 / 78.1	70 / 80
							2NE04502006	15 / 20	2	72.2 / 83.3	90.3 / 104.2	100 / 110
	2NE04502506	18.8 / 25	2	90.3 / 104.2	112.8 / 130.2	125 / 150						
	208/230-3-60	13.4	88	21	2.6	6.8	None	-	-	-	26.2	35
							2NP04501025	7.5/10	1	20.8/24.1	52.2/56.2	60/60
							2NP04501525	11.3/15	1	31.3/36.1	65.2/71.3	70/80
							2NP04502025	15/20	2	41.7/48.1	78.3/86.3	80/90
							2NP04502525	18.8/25	2	52.1/60.1	91.3/101.3	100/110
	460-3-60	6.4	41	10	1.3	3.4	None	-	-	-	12.7	15
							2NP04501046	10	1	12	27.7	30
							2NP04501546	15	1	18	35.3	40
2NP04502046							20	2	24.1	42.8	45	
2NP04502546	25	2	30.1	50.3	60							
BHx060 (5.0)	208/230-1-60	25.6	118	40	2.5	9.1	None	-	-	-	43.6	60
							2NP04501006	7.5/10	2	36.1/41.7	88.7/95.7	100/110
							2NP04501506	11.3/15	2	54.2/62.5	111.3/121.7	125/125
							2NH04502006	15/20	2	72.2/83.3	133.9/147.8	150/150
							2NP04502506	18.8/25	2	90.3/104.2	156.4/173.8	175/175
							2NE04501006	7.5 / 10	2	36.1 / 41.7	45.1 / 52.1	50 / 60
							2NE04501506	11.3 / 15	2	54.2 / 62.5	67.7 / 78.1	70 / 80
							2NE04502006	15 / 20	2	72.2 / 83.3	90.3 / 104.2	100 / 110
	2NE04502506	18.8 / 25	2	90.3 / 104.2	112.8 / 130.2	125 / 150						
	208/230-3-60	17.6	135	28	2.5	9.1	None	-	-	-	33.6	45
							2NH04501025	7.5/10	1	20.8/24.1	59.7/63.7	70/70
							2NH04501525	11.3/15	1	31.3/36.1	72.7/78.7	80/80
							2NH04502025	15/20	2	41.7/48.1	85.7/93.7	90/100
							2NH04502525	18.8/25	2	52.1/60.1	98.8/108.8	100/110
	460-3-60	9.0	62	14	1.3	4.6	None	-	-	-	17.2	25
							2NP04501046	10	1	12	32.2	35
							2NH04501546	15	1	18	39.7	40
2NH04502046							20	2	24.1	47.2	50	
2NP04502546	25	2	30.1	54.7	60							

1. Minimum Circuit Ampacity.
2. Maximum Over Current Protection per standard UL 1995.
3. Fuse or HACR circuit breaker size installed at factory or field installed.

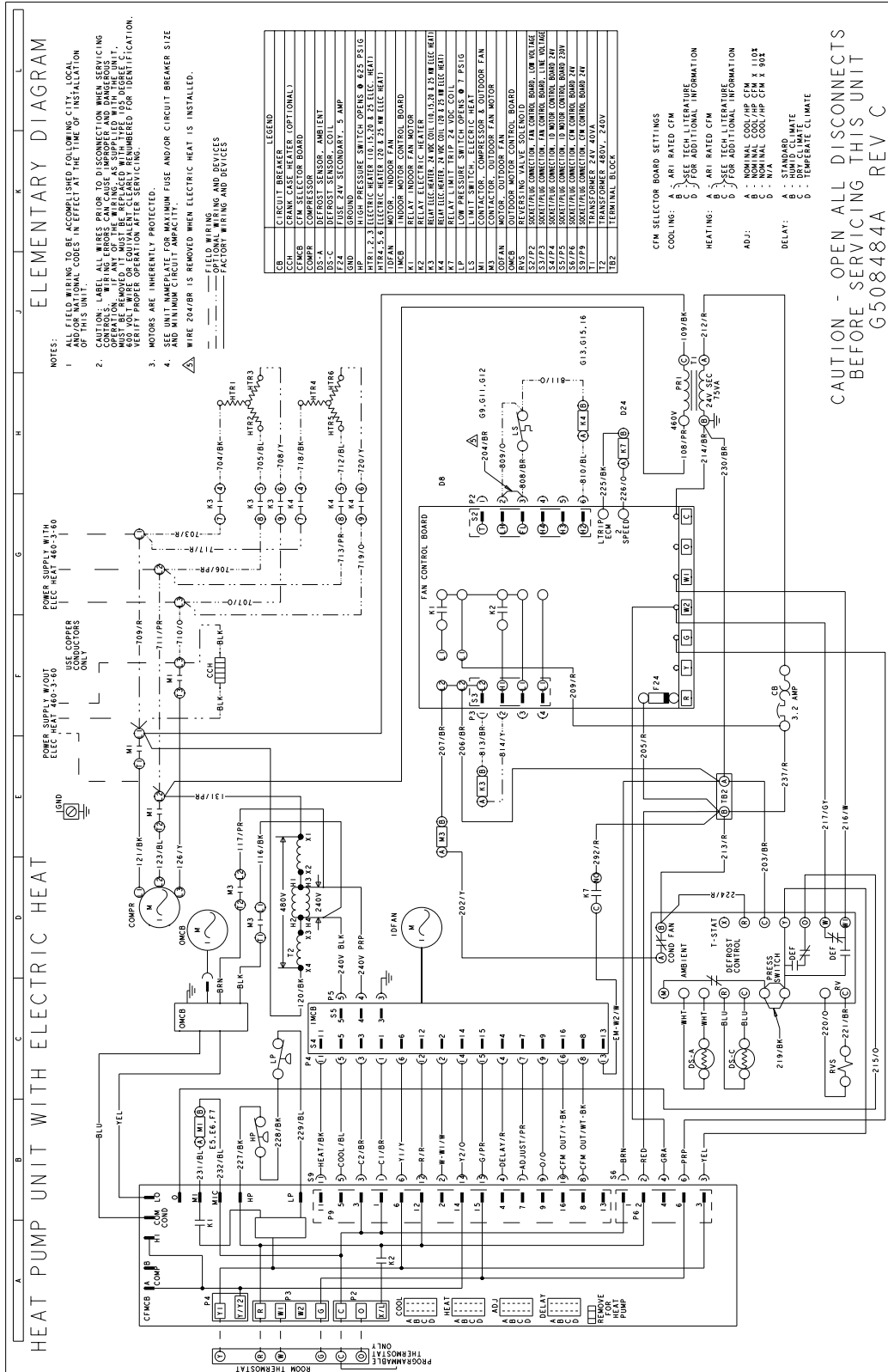
Typical BHZ030-060 Heat Pump 230-3-60 volt Wiring Diagram



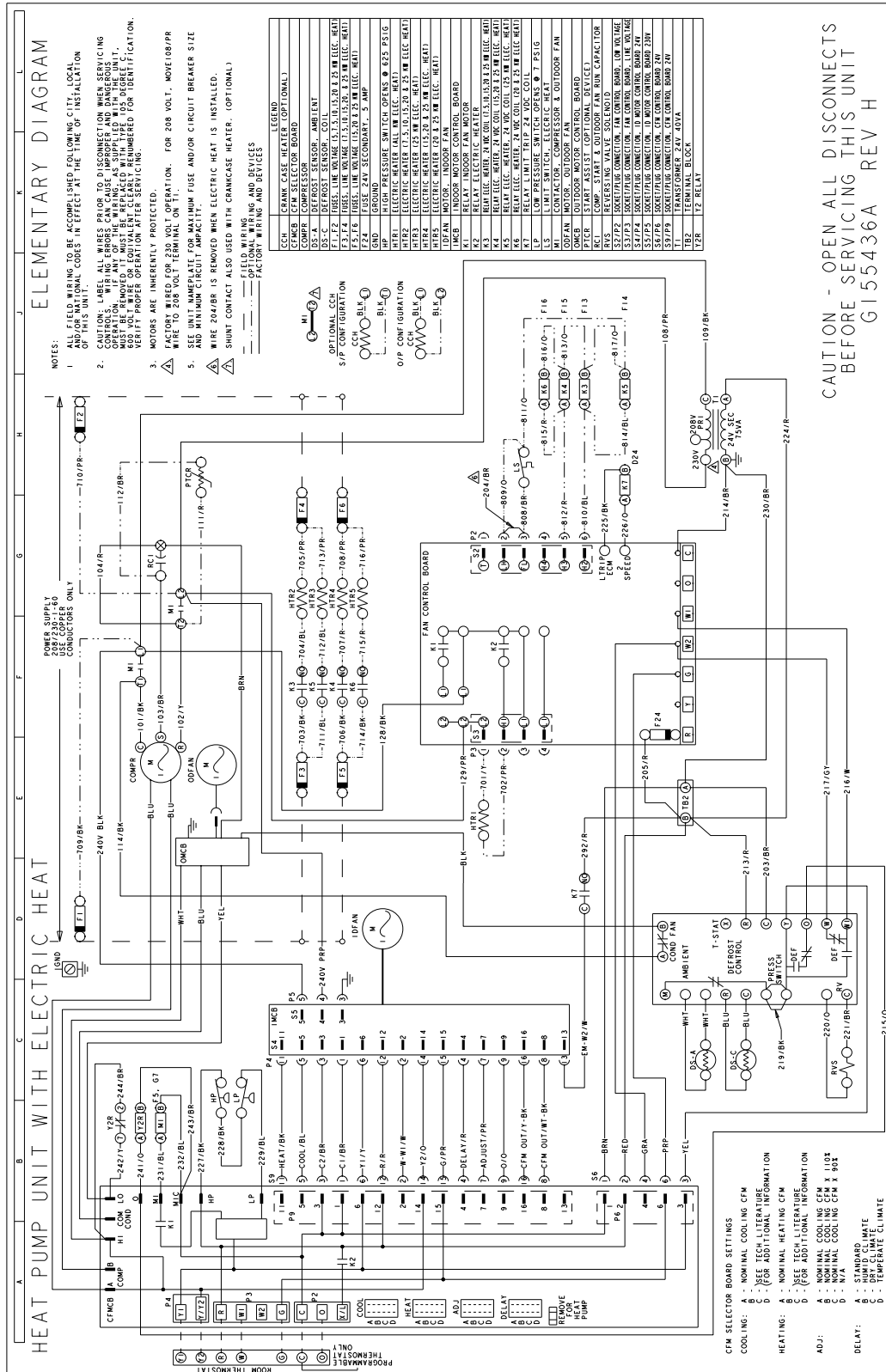
Typical BHQ030-060 Heat Pump 230-3-60 volt Wiring Diagram



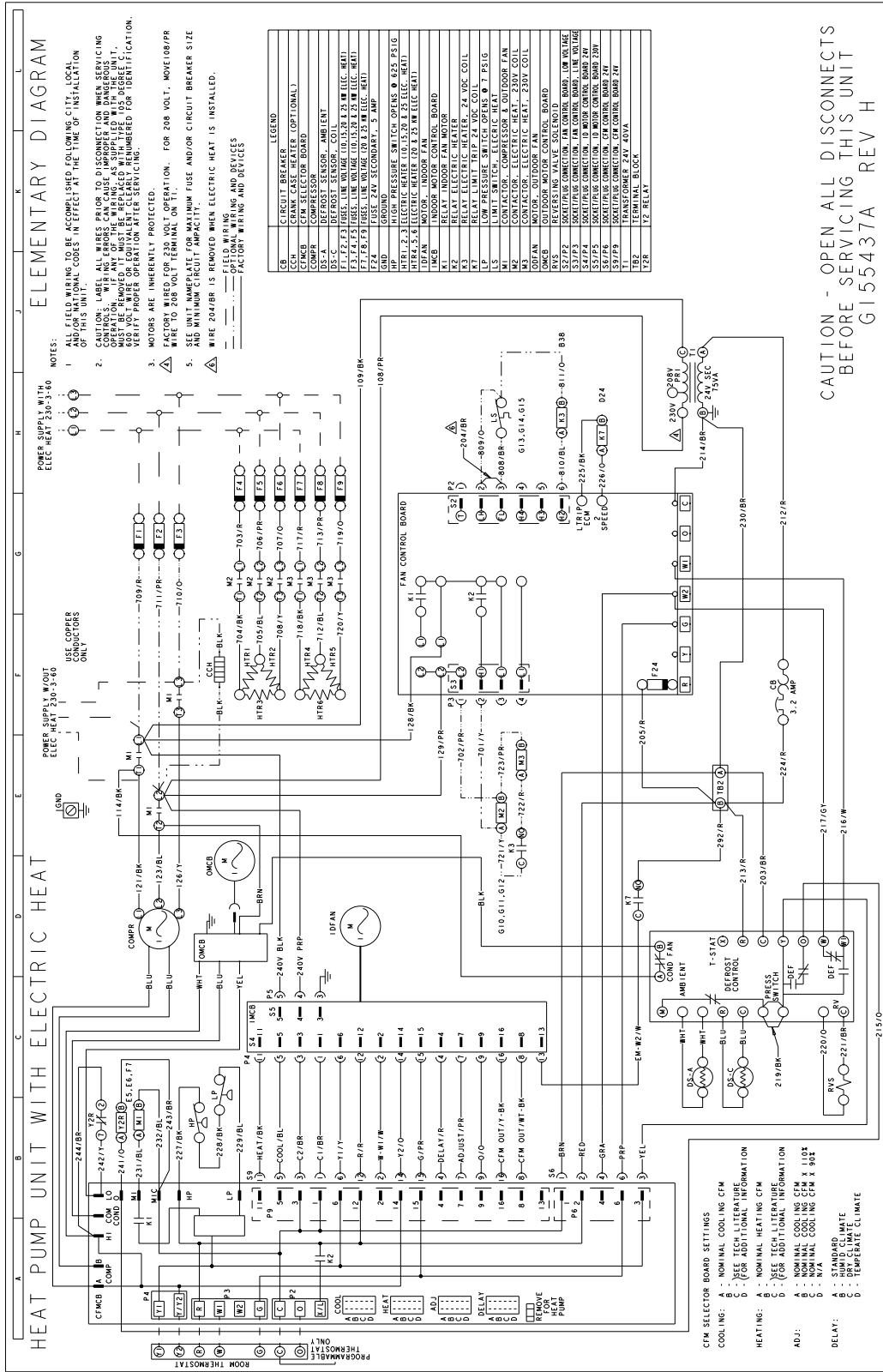
Typical BHQ030-060 Heat Pump 460-3-60 volt Wiring Diagram



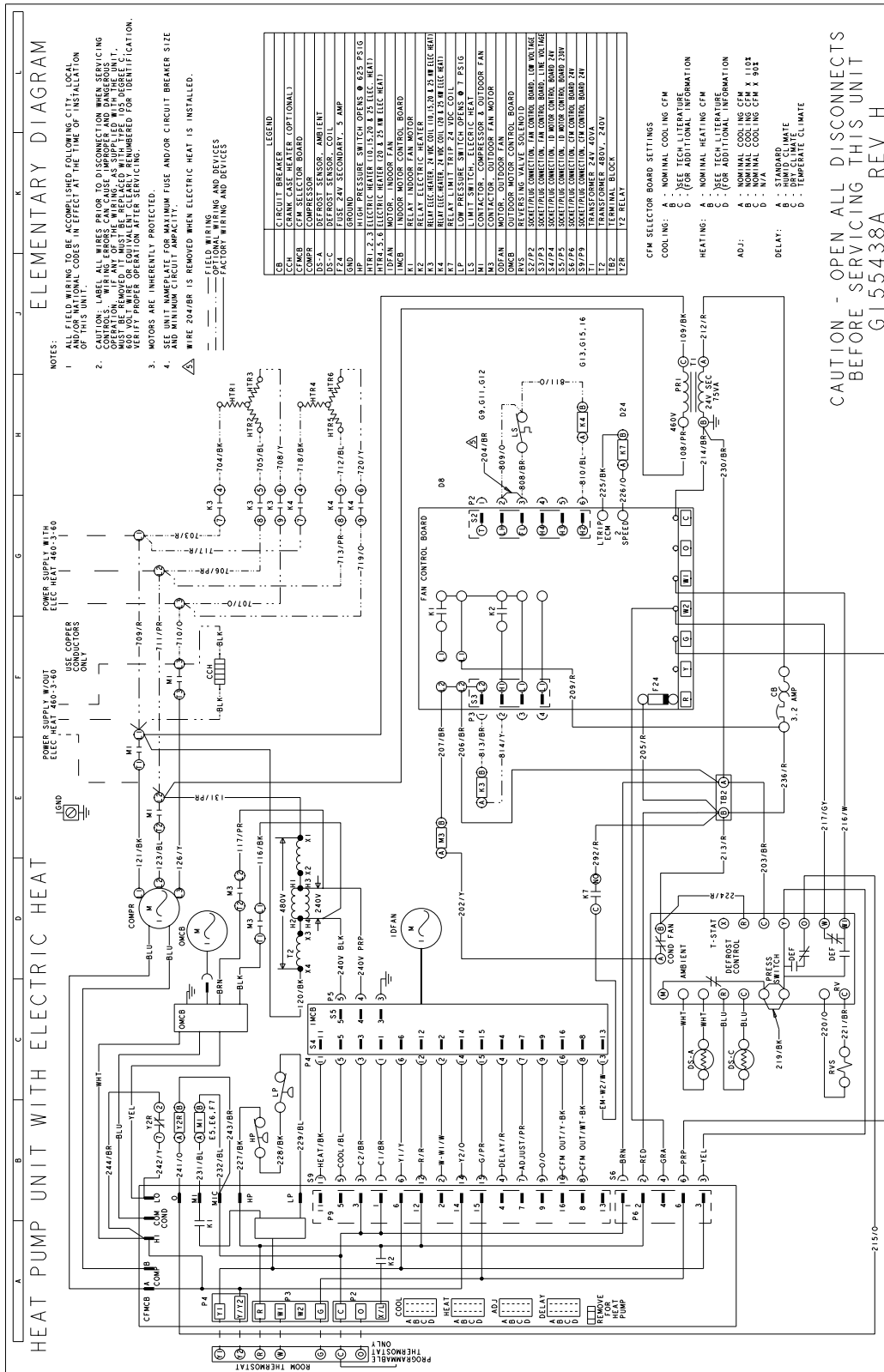
Typical BHX024, 048 and 060 Heat Pump 208/230-1-60 volt Wiring Diagram



Typical BHX048 and 060 Heat Pump 230-3-60 volt Wiring Diagram



Typical BHX048 and 060 Heat Pump 460-3-60 volt Wiring Diagram



CFM SELECTOR BOARD SETTINGS

COOLING: A - NOMINAL COOLING CFM
B - SEE TECH LITERATURE
C - (FOR ADDITIONAL INFORMATION)
D - (FOR ADDITIONAL INFORMATION)

HEATING: A - NOMINAL HEATING CFM
B - SEE TECH LITERATURE
C - (FOR ADDITIONAL INFORMATION)
D - (FOR ADDITIONAL INFORMATION)

ADJ: A - NOMINAL COOLING CFM X 1.02
B - NOMINAL COOLING CFM X 9.02
C - NOMINAL HEATING CFM X 1.02
D - NOMINAL HEATING CFM X 9.02

DELAY: A - 15 MIN
B - 30 MIN
C - 45 MIN
D - 60 MIN

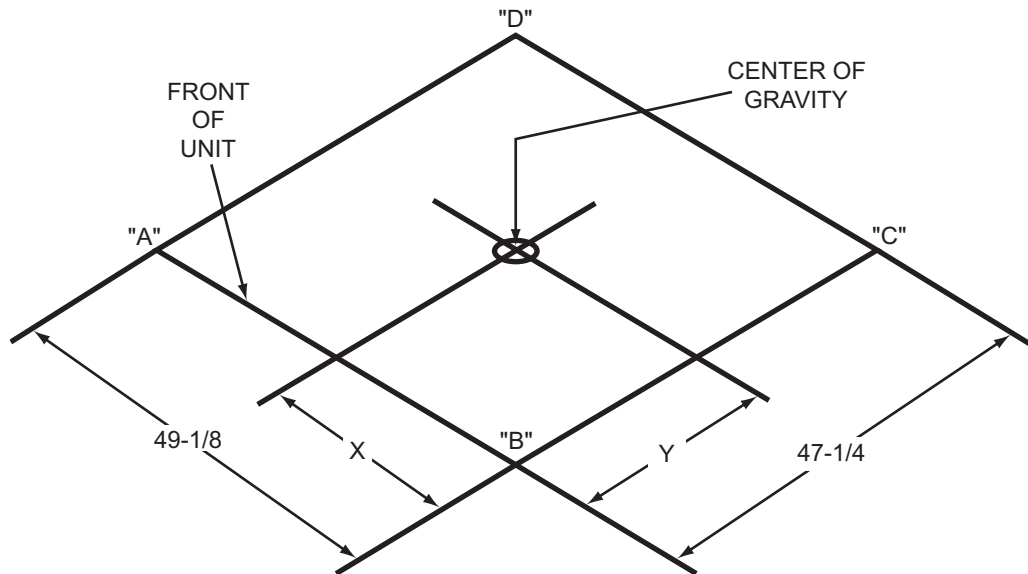
CAUTION - OPEN ALL DISCONNECTS BEFORE SERVICING THIS UNIT

GI 55438A REV H

Weights and Dimensions

BHZ/BHQ/BHX Unit Weights

Unit 4 Point Load Location



BHZ Unit 4 Point Load Weight

Model (Tons)	Weight (lbs.)		Center of Gravity		4 Point Load Location (lbs.)			
	Shipping	Operating	X	Y	A	B	C	D
BHZ024 (2.0)	360	355	22.25	25	96	84	81	93
BHZ030 (2.5)	355	350	22.25	25	96	84	81	93
BHZ036 (3.0)	395	390	22.25	25	106	92	89	102
BHZ042 (3.5)	445	440	22.25	25	120	104	101	115
BHZ048 (4.0)	490	485	22.25	25	132	115	111	127
BHZ060 (5.0)	500	495	22.25	25	135	117	113	130

BHQ Unit 4 Point Load Weight

Models (Tons)	Weight (lbs.)		Center of Gravity		4 Point Load Location (lbs.)			
	Shipping	Operating	X	Y	A	B	C	D
BHQ024 (2.0)	360	355	22.25	25	96	84	81	93
BHQ030 (2.5)	380	375	22.25	25	102	89	86	98
BHQ036 (3.0)	405	400	22.25	25	109	95	92	105
BHQ042 (3.5)	425	420	22.25	25	114	100	96	110
BHQ048 (4.0)	445	440	22.25	25	120	104	101	115
BHQ060 (5.0)	495	490	22.25	26	137	122	109	122

BHX Unit 4 Point Load Weight

Model (Tons)	Weight (lbs.)		Center of Gravity		4 Point Load Location (lbs.)			
	Shipping	Operating	X	Y	A	B	C	D
BHX024 (2.0)	385	380	22.25	25	103	90	87	100
BHX036 (3.0)	405	400	21.75	24.25	108	90	92	110
BHX048 (4.0)	445	440	22	26	126	107	95	112
BHX060 (5.0)	465	460	22	26.25	133	113	99	116

BHZ/BHQ/BHX Unit Accessory Weights

Unit Accessory	Model	Weight (lbs.)	
		Shipping	Operating
Add Economizer	All	45	40
Add Electric Heat ¹	All	13	12

1. Weight given is for the maximum heater size available (25 kW).

BHZ/BHQ/BHX Heat Pump Unit Dimensions

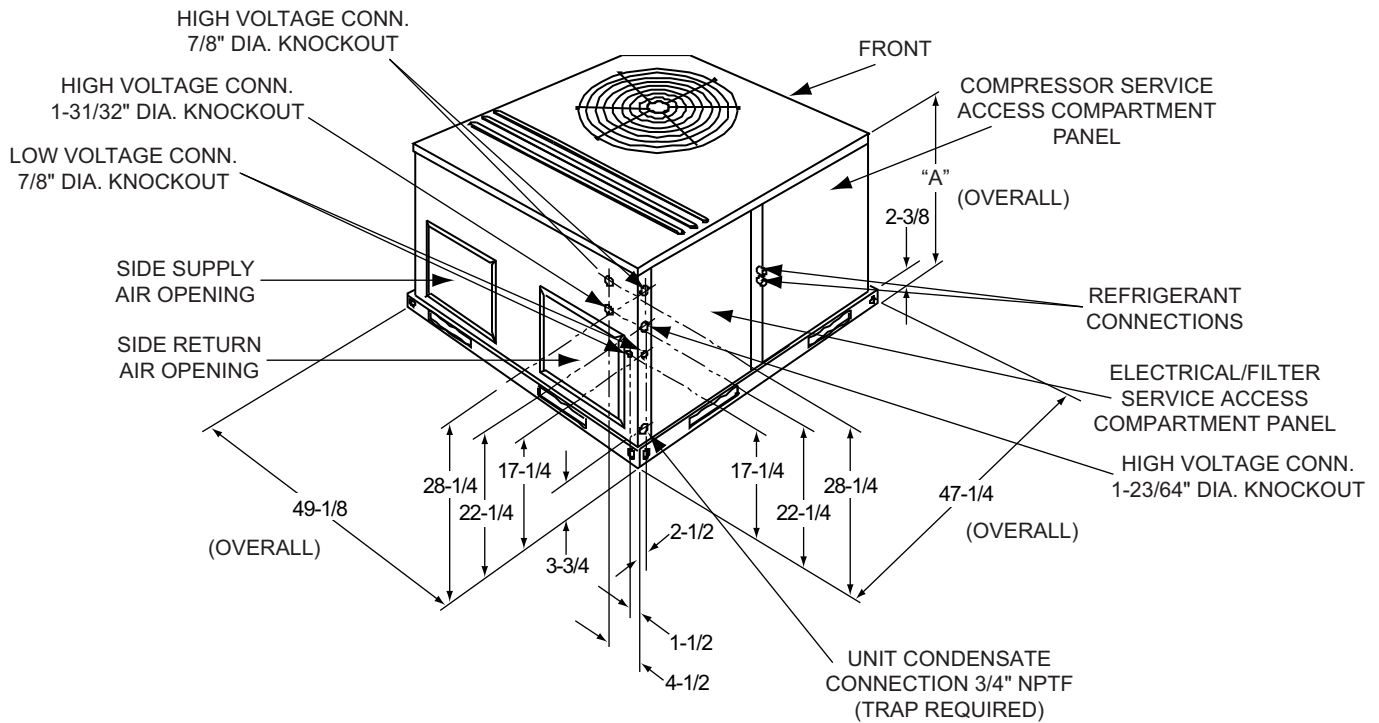


Table 1: BHZ Unit Dimensions Front

Unit Model	Dimensions
	"A"
BHZ 024, 030, 036	33-1/2
BHZ 042, 048, 060	41-1/2

BHQ Unit Dimensions Front

Unit Model	Dimensions
	"A"
BHQ 024, 030, 036	33-1/2
BHQ 042, 048, 060	41-1/2

BHX Unit Dimensions Front

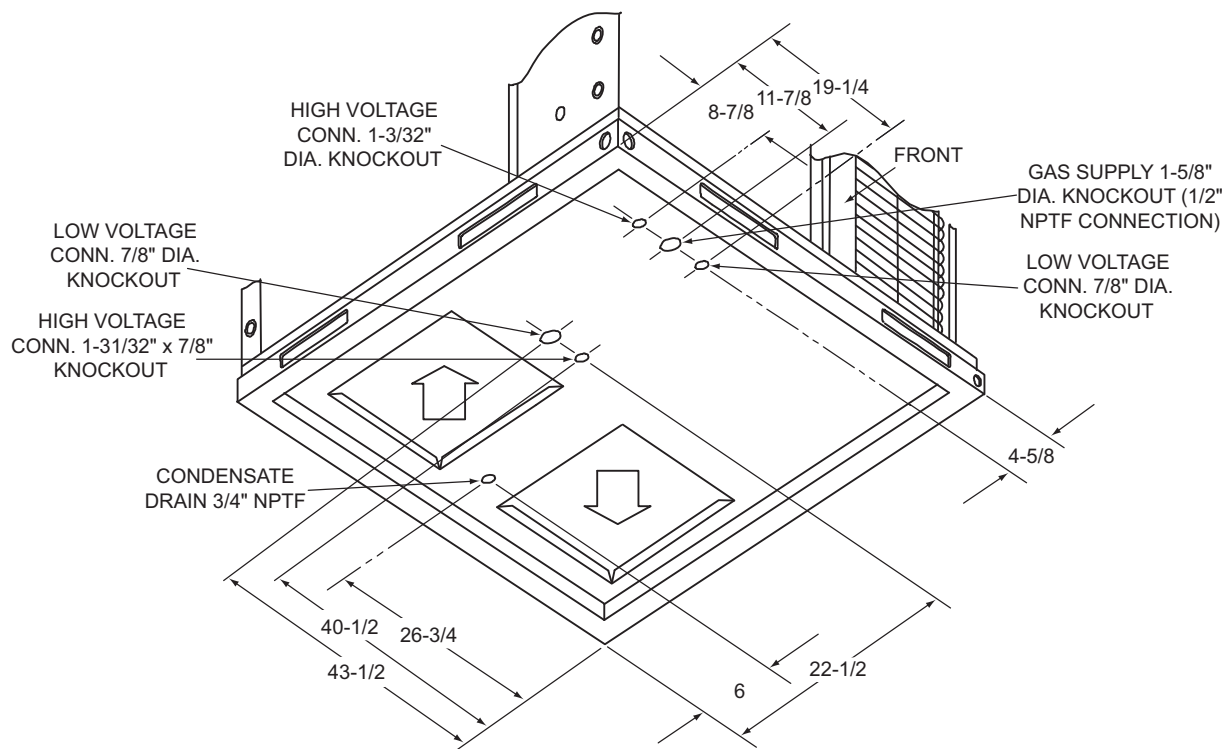
Unit Model	Dimensions
	"A"
BHX 024, 036	33-1/2
BHX 048, 060	41-1/2

BHZ/BHQ/BHX Heat Pump Unit Clearances

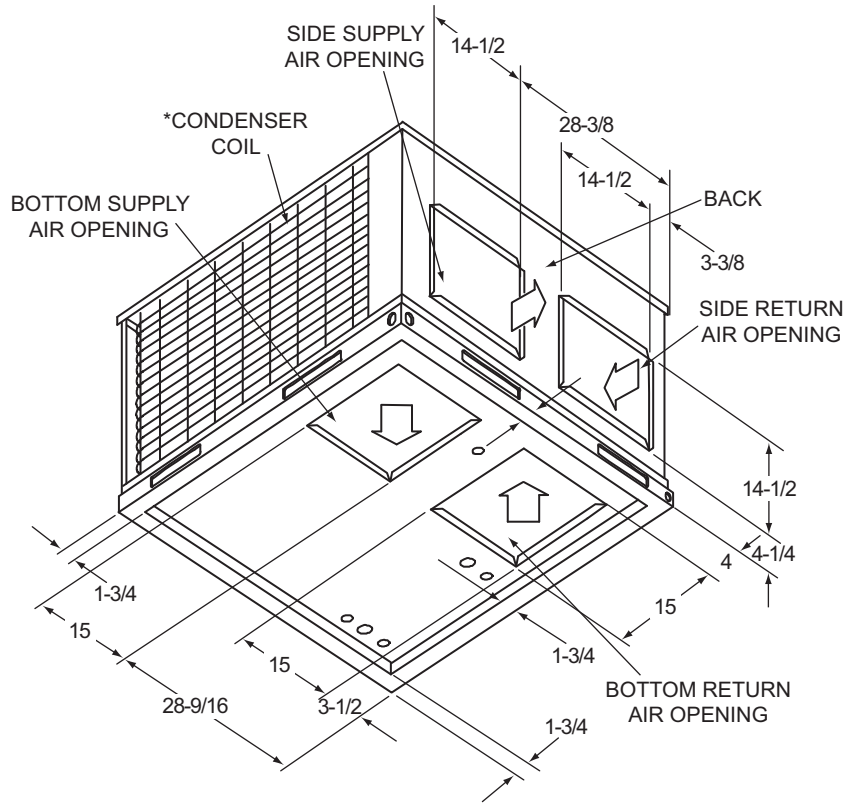
Direction	Distance (in.)	Direction	Distance (in.)
Top ¹	36	Right	24
Front	12	Left	24
Rear	0	Bottom ^{2 3}	0

- Units must be installed outdoors. Over hanging structure or shrubs should not obscure condenser air discharge outlet.
- Units may be installed on combustible floors made from wood or class A, B or C roof covering materials.
- Minimum Clearance of 1 inch all sides of supply air duct for the first 3 foot of duct for 20 & 25 kW., zero inches there after. For all other heaters, zero inch clearance all sides for entire length of duct.

Note: For units applied with a roof curb, the minimum clearance may be reduced from 1 inch to 1/2 inch between combustible roof curb material and this supply air duct.

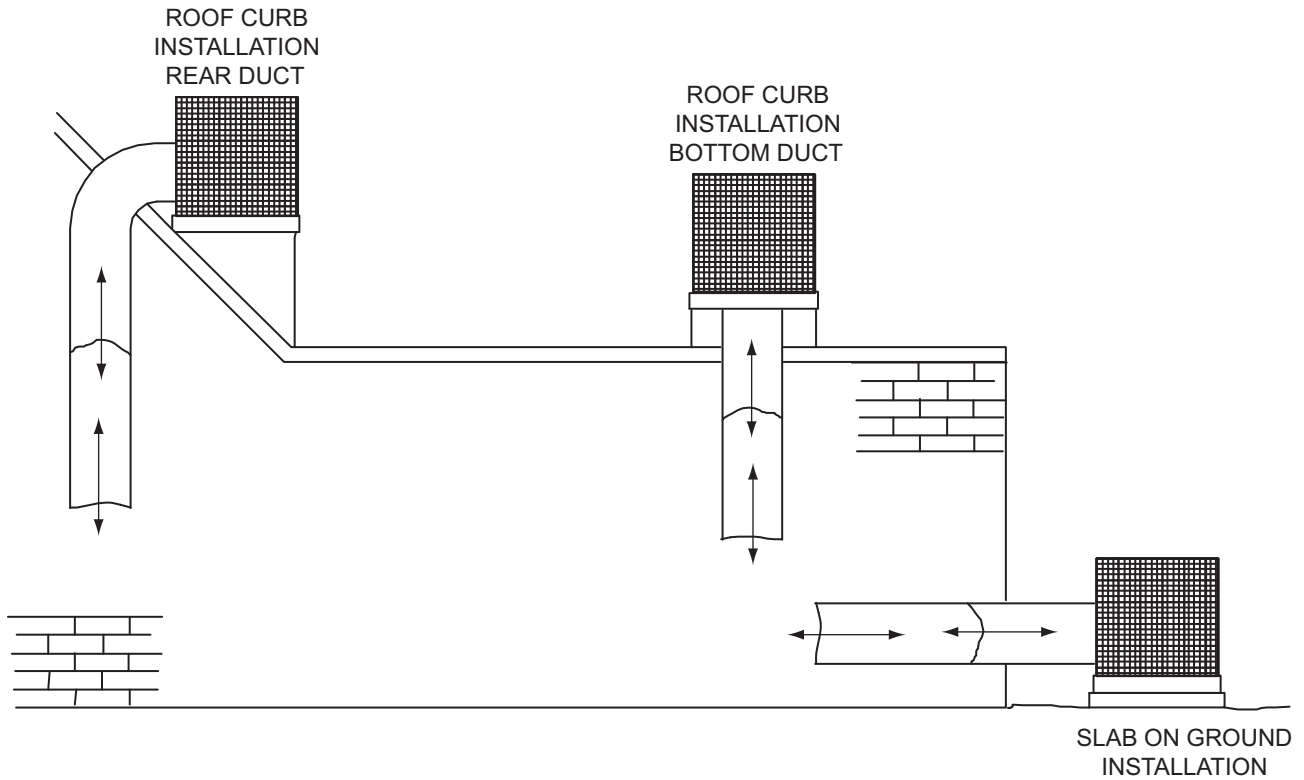
BHZ/BHQ/BHX Unit Dimensions Front and Bottom

BHZ/BHQ/BHX Unit Dimensions Back and Bottom

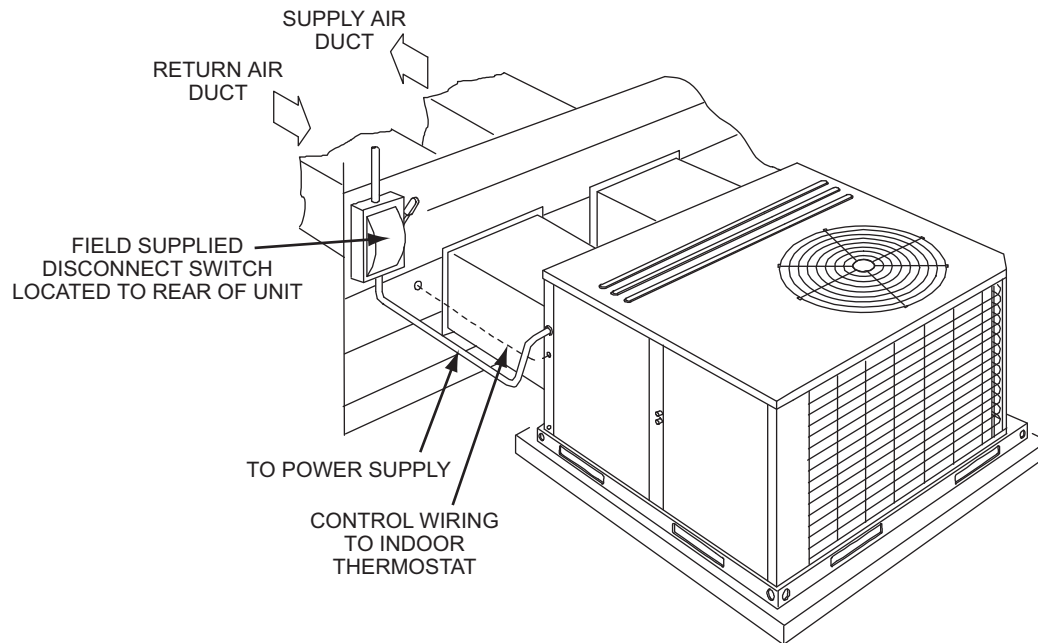


* See Features for details.

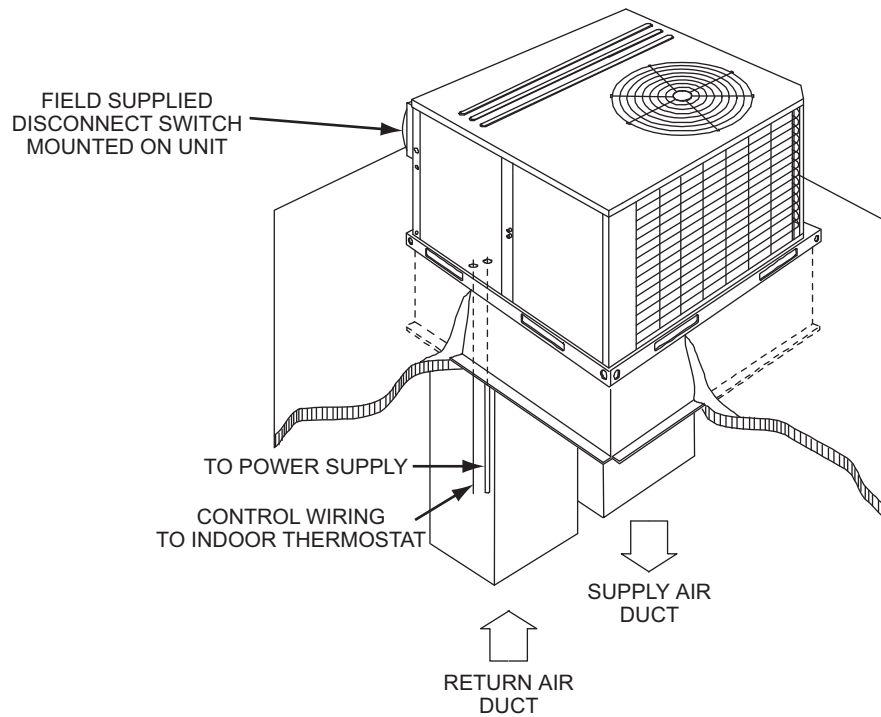
BHZ/BHQ/BHX Unit Typical Duct Applications



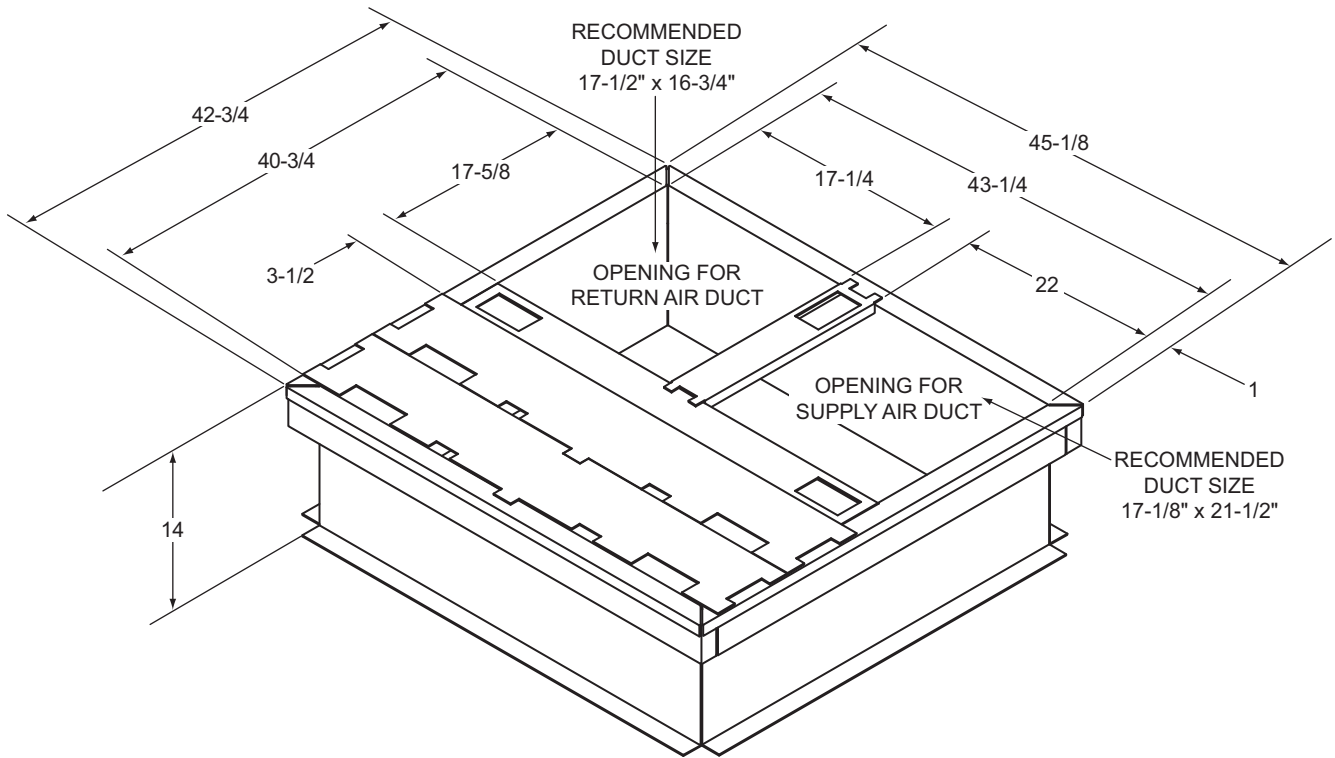
BHZ/BHQ/BHX Unit Typical Slab on Ground Installation



BHZ/BHQ/BHX Unit Typical Roof Curb Installation



BHZ/BHQ/BHX Unit Accessory Dimensions
Roof Curb¹



1. 8" Roof Curb also available.

Roof Curb Cross Section