

TABULAR DATA SHEET

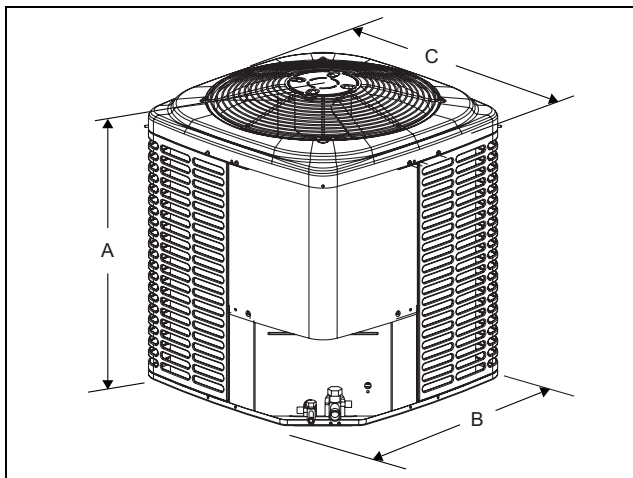
LX SERIES SPLIT SYSTEM AIR CONDITIONERS 14.5 SEER – R-410A – 1 PHASE – 1.5 THRU 5 NOMINAL TONS MODELS: TCJF18 THRU 60

Physical and Electrical Data

| MODEL | TCJF18 S41S3(E) | TCJF24 S41S3(E) | TCJF30 S41S3(E) | TCJF36 S41S3(E) | TCJF42 S41S3(E) | TCJF48 S41S4(E) | TCJF60 S41S4(E) |
|---|---------------------------|--------------------|--------------------|--------------------|--------------------|--------------------|--------------------|
| Unit Supply Voltage | 208-230V, 1 ϕ , 60Hz | | | | | | |
| Normal Voltage Range ¹ | 187 to 252 | | | | | | |
| Minimum Circuit Ampacity | 12.0 | 16.8 | 18.4 | 19.1 | 23.9 | 26.3 | 32.7 |
| Max. Overcurrent Device Amps ² | 20 | 25 | 30 | 30 | 40 | 45 | 50 |
| Min. Overcurrent Device Amps ³ | 15 | 20 | 20 | 20 | 25 | 30 | 35 |
| Compressor Type | Scroll | Scroll | Scroll | Scroll | Scroll | Scroll | Scroll |
| Compressor Amps | Rated Load | 9.0 | 12.8 | 14.1 | 14.1 | 17.9 | 25.0 |
| | Locked Rotor | 46 | 58 | 73 | 77 | 112 | 134 |
| Crankcase Heater | No | No | No | No | No | No | No |
| Factory External Discharge Muffler | No | No | No | No | No | No | No |
| Factory External Check Valve | No | No | No | No | No | No | No |
| HS Kit Required with TXV ⁴ | No | No | No | No | No | No | No |
| Fan Motor Amps | Rated Load | 0.8 | 0.8 | 0.8 | 1.5 | 1.5 | 1.5 |
| | Fan Diameter Inches | 22 | 22 | 22 | 22 | 24 | 24 |
| Fan Motor | Rated HP | 1/8 | 1/8 | 1/8 | 1/4 | 1/4 | 1/4 |
| | Nominal RPM | 1075 | 1075 | 1075 | 850 | 850 | 850 |
| | Nominal CFM | 2750 | 2750 | 2800 | 3200 | 3600 | 3700 |
| Coil | Face Area Sq. Ft. | 13.1 | 13.1 | 17.4 | 17.4 | 20.0 | 24.0 |
| | Rows Deep | 1 | 1 | 1 | 1 | 1 | 1 |
| | Fins / Inch | 23 | 23 | 23 | 23 | 23 | 23 |
| Liquid Line Set OD (Field Installed) | 3/8 | 3/8 | 3/8 | 3/8 | 3/8 | 3/8 | 3/8 |
| Vapor Line Set OD (Field Installed) | 3/4 | 3/4 | 3/4 | 3/4 | 7/8 | 7/8 | 7/8 |
| Unit Charge (Lbs. - Oz.) ⁵ | 3 - 10 | 3 - 2 | 3 - 7 | 3 - 10 | 4 - 4 | 5 - 1 | 5 - 4 |
| Charge Per Foot, Oz. | 0.62 | 0.62 | 0.62 | 0.62 | 0.67 | 0.67 | 0.67 |
| Operating Weight Lbs. | 125 | 128 | 130 | 145 | 172 | 208 | 231 |

Models with "E" on the end of the model number have E-Coated coils.

1. Rated in accordance with AHRI Standard 110-2012, utilization range "A".
2. Dual element fuses or HACR circuit breaker. Maximum allowable overcurrent protection.
3. Dual element fuses or HACR circuit breaker. Minimum recommended overcurrent protection.
4. See Hard Start Kit Accessory Installation Manual for Hard Start Kit part number for each model.
5. The Unit Charge is correct for the outdoor unit, smallest matched indoor unit, and 15 feet of refrigerant tubing. For tubing lengths other than 15 feet, add or subtract the amount of refrigerant, using the difference in length multiplied by the per foot value.



| Unit Model | Dimensions (Inches) | | | Refrigerant Connection Service Valve Size | |
|------------|---------------------|--------|--------|---|-------|
| | A | B | C | Liquid | Vapor |
| 18 | 28-1/4 | 29-1/2 | 29-1/2 | 3/8 | 3/4 |
| 24 | 28-1/4 | 29-1/2 | 29-1/2 | | |
| 30 | 36-1/4 | 29-1/2 | 29-1/2 | | |
| 36 | 36-1/4 | 29-1/2 | 29-1/2 | | |
| 42 | 34-1/4 | 34 | 34 | 7/8 | |
| 48 | 36-1/4 | 34 | 34 | | |
| 60 | 40-1/4 | 34 | 34 | | |

All dimensions are in inches and are subject to change without notice.
Overall height is from bottom of base pan to top of fan guard.
Overall length and width include screw heads.

System Charge for Various Matched Systems

| Outdoor Unit | TCJF18 S41S3(E) | TCJF24 S41S3(E) | TCJF30 S41S3(E) | TCJF36 S41S3(E) | TCJF42 S41S3(E) | TCJF48 S41S4(E) | TCJF60 S41S4(E) |
|------------------------------------|-----------------------|--------------------|--------------------|--------------------|--------------------|--------------------|--------------------|
| Required TXV ^{1,2} | 4F1 | 4F1 | 4G1 | 4G1 | 4G1 | 4J1 | 4J1 |
| Indoor Unit ^{3,4,5} | Additional Charge, oz | | | | | | |
| AHE18B | 0 | - | - | - | - | - | - |
| AHE24B | 15 | 16 | - | - | - | - | - |
| AHE30B | 15 | 16 | 13 | - | - | - | - |
| AHE36C | 24 | 23 | 19 | 15 | - | - | - |
| AHE42D | - | 35 | 30 | 25 | 17 | - | - |
| AHE48D | - | - | - | 24 | 16 | 11 | - |
| AHE60D | - | - | - | 29 | 22 | 15 | 13 |
| AHR18B | 0 | - | - | - | - | - | - |
| AHR24B | - | 16 | - | - | - | - | - |
| AHR30B | - | - | 12 | - | - | - | - |
| AHR36B | - | - | 19 | 15 | - | - | - |
| AHR42C | - | - | - | 25 | 17 | - | - |
| AHR48D | - | - | - | - | 16 | 11 | - |
| AHR60D | - | - | - | - | 22 | 15 | 13 |
| AHV18B | 0 | - | - | - | - | - | - |
| AHV24B | 15 | 16 | - | - | - | - | - |
| AHV30B | 15 | 16 | 13 | - | - | - | - |
| AHV36C | 23 | 22 | 19 | 15 | - | - | - |
| AHV42D | - | - | 31 | 25 | 17 | - | - |
| AHV48D | - | - | - | 24 | 16 | 11 | - |
| AHV60D | - | - | - | - | 21 | 15 | 13 |
| AV*24 | 3 | - | - | - | - | - | - |
| AV*36 | 23 | 23 | 19 | 15 | - | - | - |
| AV*48 | - | - | - | 24 | 18 | 11 | - |
| AV*60 | - | - | - | - | 18 | 11 | 9 |
| FC/MC/PC18 | 0 | - | - | - | - | - | - |
| FC/MC/PC32 | 15 | 16 | 13 | - | - | - | - |
| FC/MC/PC35 | 15 | 16 | 13 | - | - | - | - |
| FC/MC/PC37 | 23 | 22 | 19 | 15 | - | - | - |
| FC/MC/PC43 | 23 | 22 | 19 | 15 | 8 | - | - |
| FC/MC/PC48 | - | 34 | 30 | 25 | 17 | 9 | - |
| FC/MC/PC60 | - | - | - | 24 | 16 | 11 | 9 |
| FC/MC62 | - | - | - | 29 | 21 | 15 | 13 |
| FC64 | - | - | - | 39 | 30 | 26 | 21 |
| HD24 | 14 | - | - | - | - | - | - |
| HD36 | 19 | 19 | 16 | - | - | - | - |
| HD48 | - | 45 | 40 | 34 | 26 | - | - |
| HD60 | - | - | - | - | 22 | 8 | 6 |
| UC18 | 2 | - | - | - | - | - | - |
| UC48 | - | - | - | - | 11 | 10 | - |
| UC60 | - | - | - | 24 | 16 | 13 | 11 |

Some of the combinations shown in the above System Charge table require Advanced Main Air Circulating Fan indoor product. For approved coil only matches, please see the "COOLING CAPACITY - Upflow, Downflow & Horizontal Furnaces and Coils" table in the Technical Guide.

FOOTNOTES:

1. For applications requiring a TXV use S1-1TVM*** series kit.
2. A TXV kit must be used with these indoor units to obtain system performance.
3. Systems matched with furnaces or air handlers not equipped with blower-off delays may require blower Time Delay Kit S1-2FD06700224.
4. PC coils cannot be used in downflow or horizontal applications. FC coils cannot be used in horizontal applications.
5. Refer to Technical Guide for actual performance for specified system matches.

PROCEDURES:

1. Unit factory charge listed on the unit nameplate includes refrigerant for the outdoor unit, the smallest matched indoor unit, and 15 feet of interconnecting line tubing.
2. Verify the TXV and additional charge required for specific matched indoor unit in the system using the above table.
3. Add additional charge for the amount of interconnecting line tubing greater than 15 feet at the rate specified in Physical and Electrical Data Table.
4. For indoor matches requiring additional charge, the refrigerant needs to be weighed in for specific matched indoor unit and lineset length.
5. Permanently mark the unit nameplate with the total system charge. Total System Charge = Base Charge (as shipped) + charge adder for matched indoor unit + charge adder for line set.