



www.Source1Parts.com

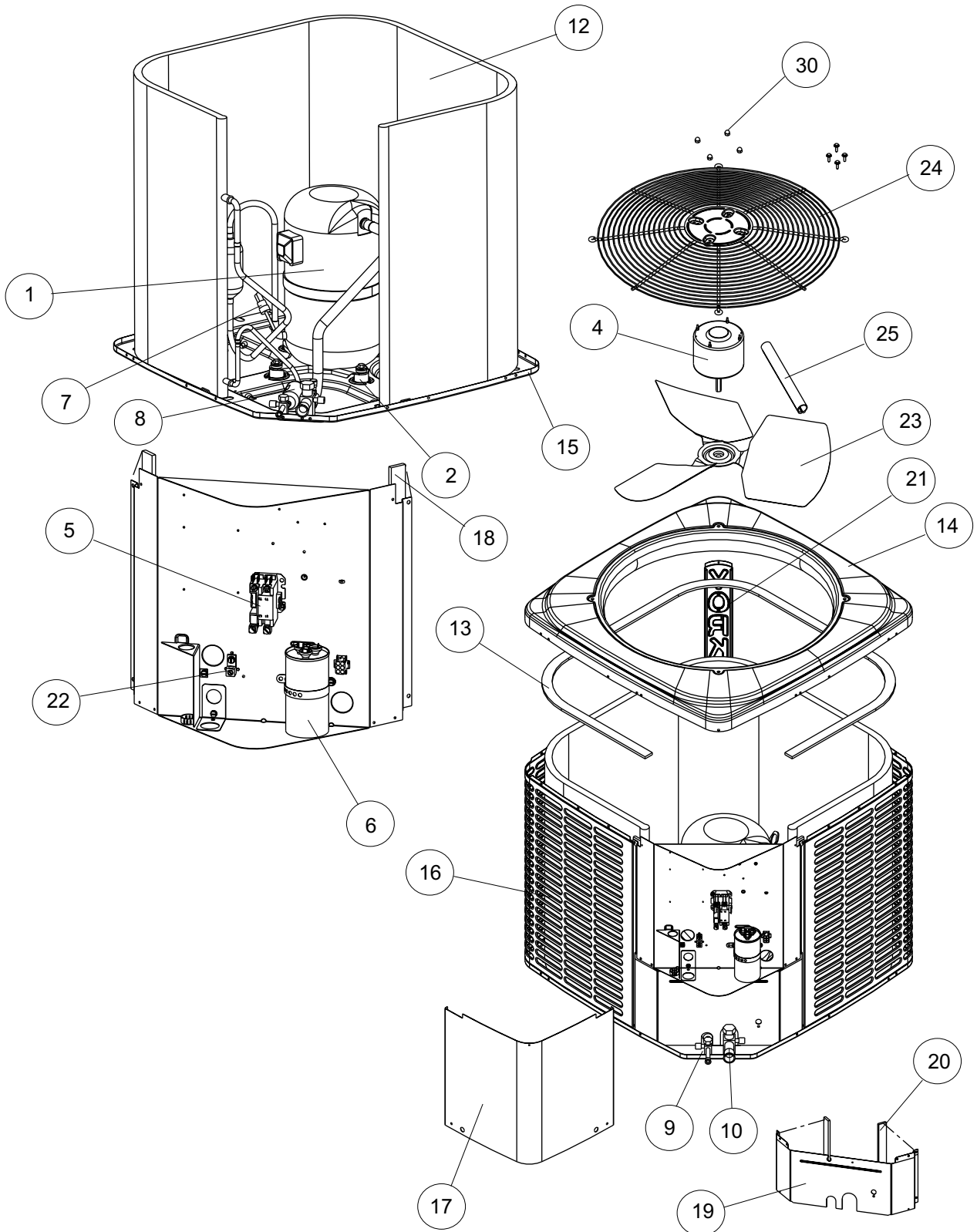
HVAC SERVICE PARTS

**TCJF SERIES - MICROCHANNEL
14.5 SEER AIR CONDITIONER, R-410A
E-COATED COILS, GEN 3 (STYLE A)**

Supersedes:035-23911-001 Rev. A (0212)

035-23911-001 Rev. B (0512)

1 of 4



ITEM	DESCRIPTION	TCJF18S41S3EA	TCJF24S41S3EA	TCJF30S41S3EA	TCJF36S41S3EA
1	Compressor	S1-01504447004	S1-01504149004	S1-01504147004	S1-01504146004
2	Compressor Mount (Pkg. of 4)	S1-02812355000	S1-02812355000	S1-02812355000	S1-02812355000
3*	Harness, Compressor	S1-02541088000	S1-02541088000	S1-02541088000	S1-02541088000
4	Motor, Fan	S1-02435328000	S1-02435328000	S1-02435328000	S1-02435819000
5	Contactora (30 amp)	S1-02427531000	S1-02427531000	S1-02427531000	S1-02427531000
6	Dual Capacitor (30/5 MFD)	S1-02425888700	---	---	---
	Dual Capacitor (40/5 MFD)	---	S1-02425893700	S1-02425893700	---
	Dual Capacitor (45/5 MFD)	---	---	---	S1-02425895700
7	Pressure Switch (High)	S1-02535359000	S1-02535359000	S1-02535359000	S1-02535359000
8	Filter Drier	S1-02922195000	S1-02922195000	S1-02922195000	S1-02922195000
9	Base Valve (3/8") (Liquid)	S1-02211571000	S1-02211571000	S1-02211571000	S1-02211571000
10	Base Valve (3/4") (Suction)	S1-02211572000	S1-02211572000	S1-02211572000	S1-02211572000
11					
12	Outdoor Coil Assembly	S1-37327820202	S1-37327820202	S1-37327869201	S1-37327869201
13	Foam, Outdoor Coil	S1-02815509000	S1-02815509000	S1-02815509000	S1-02815509000
14	Top	S1-07327834002	S1-07327834002	S1-07327834002	S1-07327834002
15	Pan, Base	S1-07327933002	S1-07327933002	S1-07327933002	S1-07327933002
16	Guard Coil, Panel (2 Req'd)	S1-07327906002	S1-07327906002	S1-07327906009	S1-07327906009
17	Cover, Control Box	S1-07327837001	S1-07327837001	S1-07327837001	S1-07327837001
18	Foam Strips, Control Box (2 Req'd)	S1-02815490000	S1-02815490000	S1-02815490000	S1-02815490000
19	Panel, Block-off	S1-07327836001	S1-07327836001	S1-07327858002	S1-07327858002
20	Foam Strips, Block-off (2 Req'd)	S1-02815493000	S1-02815493000	S1-02815493000	S1-02815493000
21	Post, Corner	S1-07327835003	S1-07327835003	S1-07327857002	S1-07327857002
22	Lug, Ground	S1-02521798000	S1-02521798000	S1-02521798000	S1-02521798000
23	Blade, Fan	S1-02642445000	S1-02642445000	S1-02642445000	S1-02642611000
24	Guard, Fan	S1-02642487000	S1-02642487000	S1-02642487000	S1-02642487000
25	Wireway	S1-02815873000	S1-02815873000	S1-02815873000	S1-02815873000
26*	Blanket, Compressor	S1-01007636000	S1-01007636000	S1-01007636000	S1-01007636000
27*	Coil Guard, Plastic Mesh	S1-02642547000	S1-02642547000	S1-02642612000	S1-02642612000
28*	Coil Mount, Rubber (6 Req'd)	S1-02815500000	S1-02815500000	S1-02815500000	S1-02815500000
29*	Plate, Bezel	S1-02815899000	S1-02815899000	S1-02815899000	S1-02815899000
30	Kit, Motor Mounting (Acorn Nuts)	S1-36390117700	S1-36390117700	S1-36390117700	S1-36390117700
31*	Fastener, Push Pin (6 Req'd)	S1-02118381000	S1-02118381000	S1-02118381000	S1-02118381000
32*	Harness, Main Wiring	S1-37320055004	S1-37320055004	S1-37320055004	S1-37320055004
33	Wiring Diagram	167242	167242	167242	167242

<
<
<
<

NOTE: *Not Shown

New replacement parts shown in **bold** face type at the first printing of parts list dated 5/12.

Major components and suggested stocking items are shown with shaded item number.

"<" Across from row indicates a change in that row.

--- Not applicable to specified model.



ITEM	DESCRIPTION	TCJF42S41S3EA	TCJF48S41S3EA	TCJF60S41S3EA
1	Compressor	S1-01503894004	S1-01503593004	S1-01504148004
2	Compressor Mount (Pkg. of 4)	S1-02812355000	S1-02812355000	S1-02812355000
3*	Harness, Compressor	S1-02541088000	S1-02531884000	S1-02531884000
4	Motor, Fan	S1-02435819000	S1-02435819000	S1-02435819000
5	Contactor (30 amp)	S1-02427531000	S1-02427531000	---
	Contactor (40 amp)	---	---	S1-02425837700
6	Dual Capacitor (45/5 MFD)	S1-02425895700	---	---
	Dual Capacitor (60/5 MFD)	---	S1-02425033700	S1-02425033700
7	Pressure Switch (High)	S1-02535359000	S1-02535359000	S1-02535359000
8	Filter Drier	S1-02922195000	S1-02922195000	S1-02922195000
9	Base Valve (3/8") (Liquid)	S1-02211571000	S1-02211571000	S1-02211571000
10	Base Valve (7/8") (Suction)	S1-02211576000	S1-02211576000	S1-02211576000
11				
12	Outdoor Coil Assembly	S1-37327869202	S1-37327869203	S1-37327869204
13	Foam, Outdoor Coil	S1-02815863000	S1-02815863000	S1-02815863000
14	Top	S1-07327853001	S1-07327853001	S1-07327853001
15	Pan, Base	S1-07327933003	S1-07327933003	S1-07327933003
16	Guard Coil, Panel (2 Req'd)	S1-07327906008	S1-07327906006	S1-07327906007
17	Cover, Control Box	S1-07327837001	S1-07327837001	S1-07327827001
18	Foam Strips, Control Box (2 Req'd)	S1-02815490000	S1-02815490000	S1-02815490000
19	Panel, Block-off	S1-07327862001	S1-07327858002	S1-07327862002
20	Foam Strips, Block-off (2 Req'd)	S1-02815523000	S1-02815496000	S1-02815524000
21	Post, Corner	S1-07327861002	S1-07327857002	S1-07327857003
22	Lug, Ground	S1-02521798000	S1-02521798000	S1-02521798000
23	Blade, Fan	S1-02642370000	S1-02642370000	S1-02642370000
24	Guard, Fan	S1-02642586000	S1-02642586000	S1-02642586000
25	Wireway	S1-02815864000	S1-02815864000	S1-02815864000
26*	Blanket, Compressor	S1-01007637000	S1-01007635000	S1-01007642000
27*	Coil Guard, Plastic Mesh	S1-02642613000	S1-02642614000	S1-02642617000
28*	Coil Mount, Rubber (6 Req'd)	S1-02815500000	S1-02815500000	S1-02815500000
29*	Plate, Bezel	S1-02815899000	S1-02815899000	S1-02815899000
30	Kit, Motor Mounting (Acorn Nuts)	S1-36390117700	S1-36390117700	S1-36390117700
31*	Fastener, Push Pin (6 Req'd)	S1-02118381000	S1-02118381000	S1-02118381000
32*	Harness, Main Wiring	S1-37320055004	S1-37320055004	S1-37320055004
33*	Wiring Diagram	167242	167242	167242

NOTE: *Not Shown

New replacement parts shown in **bold** face type at the first printing of parts list dated 5/12.

Major components and suggested stocking items are shown with shaded item number.

"<" Across from row indicates a change in that row.

--- Not applicable to specified model.

TO ORDER AUTHORIZED FACTORY REPLACEMENT PARTS - Contact your Source1 HVAC Parts Distributor or visit our website at www.Source1Parts.com for a Distributor and Dealer listing.