



www.Source1Parts.com

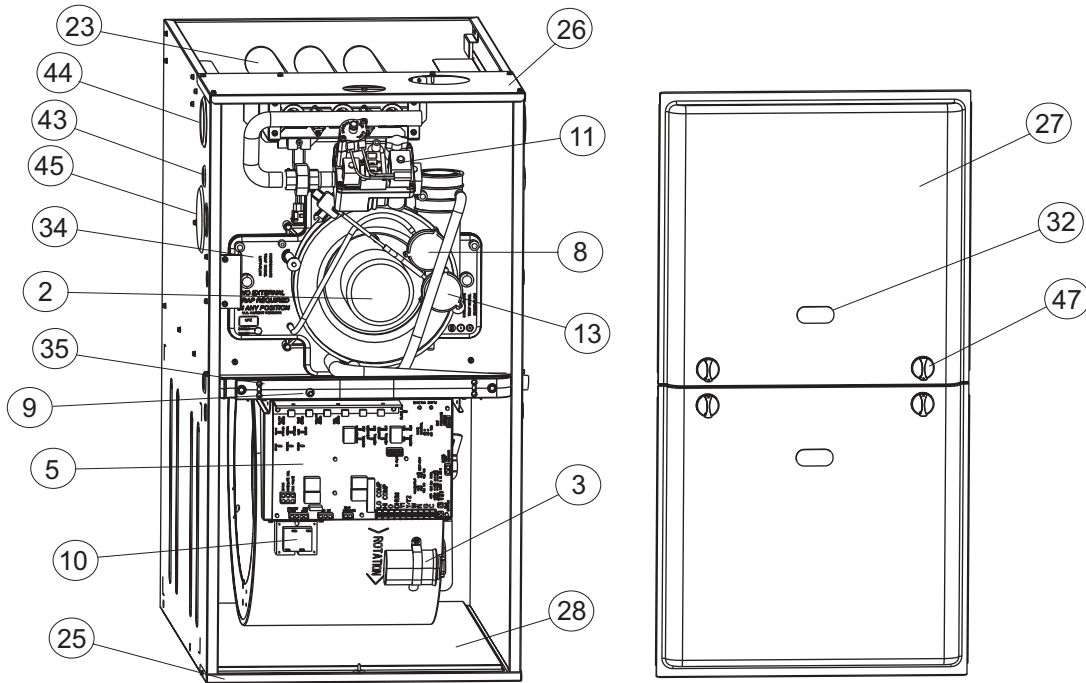
# TM9M SERIES 97% (PSC) MODULATING MULTI-POSITION 33" NATURAL GAS FURNACES 2ND GENERATION (STYLE B)

**HVAC SERVICE PARTS**

Supersedes: Nothing

035-23645-001 Rev. A (0413)

1 of 4



**Figure 1: 97% MODULATING (PSC) MULTI-POSITION NATURAL GAS FURNACES**

FIG	ITEM	DESCRIPTION	TM9M060B12MP12B	TM9M080B12MP12B	TM9M080C16MP12B
			(3 BURNER)	(4 BURNER)	(4 BURNER)
<b>MOTOR</b>					
2	1	MOTOR, DIRECT DRIVE BLOWER	S1-02435647000	S1-02435647000	S1-02432055000
1,2	2	BLOWER, COMBUSTION	S1-32642583000	S1-32642583000	S1-32642583000
<b>ELECTRICAL</b>					
1,2	3	CAPACITOR, RUN (10MFD/370V)	S1-02435763000	S1-02435763000	S1-02435763000
3	4	SWITCH, LIMIT(250 Deg Man Reset) (2 ea.)	S1-02541318000	S1-02541318000	S1-02541318000
1,2	5	CONTROL, FURNACE	S1-33102972000	S1-33102972000	S1-33102972000
*	5A	PLUG, ID	S1-02541370000	S1-02541371000	S1-02541372000
3	6	IGNITER	<b>S1-02545231000</b>	<b>S1-02545231000</b>	<b>S1-02545231000</b>
3	7	SENSOR, FLAME	S1-02537499000	S1-02537499000	S1-02537499000
1,2	8	SWITCH, PRESSURE	S1-02435929000	S1-02435929000	S1-02435929000
1,2	9	SWITCH, DOOR	S1-02435738000	S1-02435738000	S1-02435738000
1,2	10	TRANSFORMER	S1-2940A3541	S1-2940A3541	S1-2940A3541
1,3	11	VALVE, GAS	S1-02543257000	S1-02543257000	S1-02543257000
2	12	CONTROL, TEMPERATURE	S1-02541336000	S1-02541321000	S1-02541321000
1,2	13	SWITCH, PRESSURE	S1-02435760000	S1-02435760000	S1-02435760000
2	14A	SENSOR, PRESSURE	S1-02435922000	S1-02435922000	S1-02435922000
2	14B	SENSOR, THERMISTOR	S1-03109199000	S1-03109199000	S1-03109199000
<b>AIR MOVING</b>					
1,2	15	HOUSING, BLOWER	S1-37327824001	S1-37327824001	S1-37327824002
2	16	WHEEL, BLOWER	S1-02619664709	S1-02619664709	S1-02619664014
<b>FABRICATED PARTS</b>					
	17				
3	18	BURNER, MAIN GAS	S1-02920482000	S1-02920482000	S1-02920482000
	19				
2	20	SHELF, BLOWER	S1-07327823002	S1-07327823002	S1-07327823003

NOTE: \*Not Shown  
 New replacement parts shown in **bold** face type at the first printing of parts list dated 4/13.  
 Major components and suggested stocking items are shown with shaded item number.  
 "<" Across from row indicates a change in that row.  
 --- Not applicable to specified model.

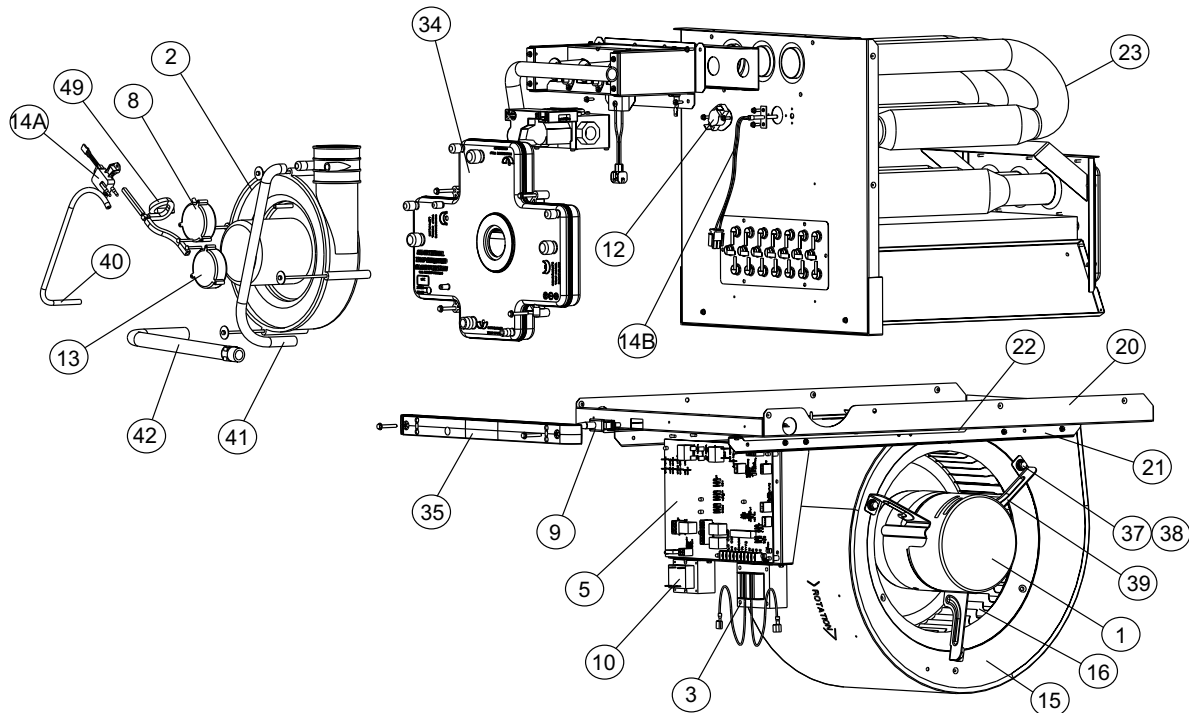


Figure 2: 97% MODULATING (PSC) MULTI-POSITION NATURAL GAS FURNACES

FIG	ITEM	DESCRIPTION	TM9M060B12MP12B	TM9M080B12MP12B	TM9M080C16MP12B
			(3 BURNER)	(4 BURNER)	(4 BURNER)
<b>FABRICATED PARTS (Continued)</b>					
2	21	RAIL, BLOWER (2 Req'd)	S1-07327825001	S1-07327825001	S1-07327825001
2	22	BRACKET, BLOWER TRACK (2 Req'd)	S1-07327825002	S1-07327825002	S1-07327825002
1,2	23	HEAT EXCHANGER ASS'Y	S1-37327871001	S1-37327871002	S1-37327871003
3	24	MANIFOLD, GAS	S1-02924467000	S1-02924468000	S1-02924468000
1	25	PAN, BOTTOM	S1-07327841002	S1-07327841002	S1-07327841003
1	26	PANEL, TOP	S1-07327842002	S1-07327842003	S1-07327842004
1	27	PANEL, DOOR (2 Req'd)	S1-37327822002	S1-37327822002	S1-37327822003
1	28	PANEL, BLOCKOFF	S1-07327827002	S1-07327827002	S1-07327827003
	29				
	30				
<b>MISCELLANEOUS</b>					
3	31	ORIFICE, BURNER (Natural #45)	S1-02921182045	S1-02921182045	S1-02921182045
1	32	SIGHT GLASS, OVAL (2 Req'd)	S1-02538899000	S1-02538899000	S1-02538899000
*	33	GASKET, FOAM (Door) (per ft.)	S1-02815517000	S1-02815517000	S1-02815517000
1,2	34	PAN, CONDENSATE	S1-32816418000	S1-32816419000	S1-32816419000
1,2	35	BRACKET, DOOR	S1-02815513000	S1-02815513000	S1-02815514000
*	36	HARNESS, WIRING	S1-02543258000	S1-02543258000	S1-02543258000
2	37	FERRULE (3 Req'd)	S1-02320541000	S1-02320541000	S1-02320541000
2	38	GROMMET (3 Req'd)	S1-02814740000	S1-02814740000	S1-02814740000
2	39	MOUNT, MOTOR (Includes item 37 & 38)	S1-37319831002	S1-37319831002	S1-37319831002
2	40	TUBING, SILICON	S1-02812499000	S1-02812499000	S1-02812499000
2	41	HOSE, RAIN GUTTER	S1-02815539000	S1-02815539000	S1-02815539000
2	42	HOSE, CONDENSATE	S1-02815855000	S1-02815540000	S1-02815855000
1	43	PLUG, SEAL, 7/8"	S1-02815853000	S1-02815853000	S1-02815853000
1	44	PLUG, SEAL, 2-3/8"	S1-02815854000	S1-02815854000	S1-02815854000
1	45	PLUG, VENT PIPE	S1-02924406000	S1-02924406000	S1-02924406000
*	46	BAG, PARTS	S1-02924480000	S1-02924480000	S1-02924480000
1	47	KNOB, QUARTER TURN (4 Req'd)	S1-02924485000	S1-02924485000	S1-02924485000
*	48	DIAGRAM, WIRING	561274	561274	561274
2	49	HOSE, VACUUM	S1-02815874000	S1-02815874000	S1-02815874000

NOTE: \*Not Shown  
 New replacement parts shown in **bold** face type at the first printing of parts list dated 4/13.  
 Major components and suggested stocking items are shown with shaded item number.  
 "<" Across from row indicates a change in that row.  
 --- Not applicable to specified model.

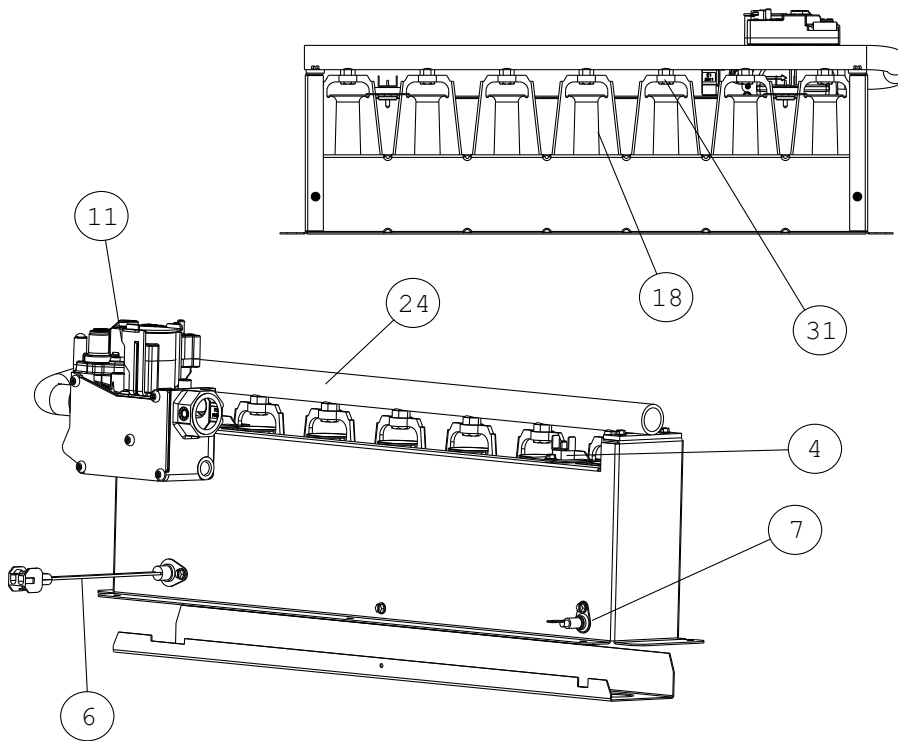


Figure 3: GAS CONTROLS

FIG	ITEM	DESCRIPTION	TM9M100C16MP12B	TM9M100C20MP12B	TM9M120D20MP12B
			(5 BURNER)	(5 BURNER)	(6 BURNER)
<b>MOTOR</b>					
2	1	MOTOR, DIRECT DRIVE BLOWER	S1-02432055000	S1-02432056000	S1-02432056000
1,2	2	BLOWER, COMBUSTION	S1-32642583000	S1-32642583000	S1-32642583000
<b>ELECTRICAL</b>					
1,2	3	CAPACITOR, RUN (10MFD/370V)	S1-02435763000	---	---
		CAPACITOR, RUN (15MFD/370V)	---	S1-02435764000	S1-02435764000
3	4	SWITCH, LIMIT (250 Deg, Man Reset) (2 ea.)	S1-02541318000	S1-02541318000	S1-02541318000
1,2	5	CONTROL, FURNACE	S1-33102972000	S1-33102972000	S1-33102972000
*	5A	PLUG, ID	S1-02541373000	S1-02541374000	S1-02541375000
3	6	IGNITER	<b>S1-02545231000</b>	<b>S1-02545231000</b>	<b>S1-02545231000</b>
3	7	SENSOR, FLAME	S1-02537499000	S1-02537499000	S1-02537499000
1,2	8	SWITCH, PRESSURE	S1-02435929000	S1-02435929000	S1-02435929000
1,2	9	SWITCH, DOOR	S1-02435738000	S1-02435738000	S1-02435738000
1,2	10	TRANSFORMER	S1-2940A3541	S1-2940A3541	S1-2940A3541
1,3	11	VALVE, GAS	S1-02543257000	S1-02543257000	S1-02543257000
2	12	CONTROL, TEMPERATURE	S1-02541321000	S1-02541321000	S1-02541322000
1,2	13	SWITCH, PRESSURE	S1-02435760000	S1-02435760000	S1-02435760000
2	14A	SENSOR, PRESSURE	S1-02435922000	S1-02435922000	S1-02435922000
2	14B	SENSOR, THERMISTOR	S1-03109199000	S1-03109199000	S1-03109199000
<b>AIR MOVING</b>					
1,2	15	HOUSING, BLOWER	S1-37327824002	S1-37327824003	S1-37327824003
2	16	WHEEL, BLOWER	S1-02619654014	S1-02638510000	S1-02638510000

NOTE: \*Not Shown  
 New replacement parts shown in **bold** face type at the first printing of parts list dated 7/12.  
 Major components and suggested stocking items are shown with shaded item number.  
 "<" Across from row indicates a change in that row.  
 --- Not applicable to specified model.



FIG	ITEM	DESCRIPTION	TM9M100C16MP12B	TM9M100C20MP12B	TM9M120D20MP12B
			(5 BURNER)	(5 BURNER)	(6 BURNER)
<b>FABRICATED PARTS</b>					
	17				
3	18	BURNER, MAIN GAS	S1-02920482000	S1-02920482000	S1-02920482000
	19				
2	20	SHELF, BLOWER	S1-07327823003	S1-07327823004	S1-07327823005
2	21	RAIL, BLOWER (2 Req'd)	S1-07327825001	S1-07327825001	S1-07327825001
2	22	BRACKET, BLOWER TRACK (2 Req'd)	S1-07327825002	S1-07327825002	S1-07327825002
1,2	23	HEAT EXCHANGER ASS'Y	S1-37327871004	S1-37327871004	S1-37327871005
3	24	MANIFOLD, GAS	S1-02924469000	S1-02924469000	S1-02924470000
1	25	PAN, BOTTOM	S1-07327841003	S1-07327841003	S1-07327841004
1	26	PANEL, TOP	S1-07327842005	S1-07327842005	S1-07327842006
1	27	PANEL, DOOR (2 Req'd)	S1-37327822003	S1-37327822003	S1-37327822004
1	28	PANEL, BLOCKOFF	S1-07327827003	S1-07327827003	S1-07327827004
	29				
	30				
<b>MISCELLANEOUS</b>					
3	31	ORIFICE, BURNER (Natural #45)	S1-02921182045	S1-02921182045	S1-02921182045
1	32	SIGHT GLASS, OVAL (2 Req'd)	S1-02538899000	S1-02538899000	S1-02538899000
*	33	GASKET, FOAM (Door) (per ft.)	S1-02815517000	S1-02815517000	S1-02815517000
1,2	34	PAN, CONDENSATE	S1-32816420000	S1-32816420000	S1-32816422000
1,2	35	BRACKET, DOOR	S1-02815514000	S1-02815514000	S1-02815515000
*	36	HARNES, WIRING	S1-02543258000	S1-02543258000	S1-02543258000
2	37	FERRULE (3 Req'd)	S1-02320541000	S1-02320541000	S1-02320541000
2	38	GROMMET (3 Req'd)	S1-02814740000	S1-02814740000	S1-02814740000
2	39	MOUNT, MOTOR (Includes item 37 & 38)	S1-37319831002	S1-37319831002	S1-37319831002
2	40	TUBING, SILICON	S1-02812499000	S1-02812499000	S1-02812499000
2	41	HOSE, RAIN GUTTER	S1-02815539000	S1-02815539000	S1-02815539000
2	42	HOSE, CONDENSATE	S1-02815856000	S1-02815856000	S1-02815857000
1	43	PLUG, SEAL, 7/8"	S1-02815853000	S1-02815853000	S1-02815853000
1	44	PLUG, SEAL, 2-3/8"	S1-02815854000	S1-02815854000	S1-02815854000
1	45	PLUG, VENT PIPE	S1-02924406000	S1-02924406000	S1-02924406000
*	46	BAG, PARTS	S1-02924481000	S1-02924481000	S1-02924481000
1	47	KNOB, QUARTER TURN (4 Req'd)	S1-02924485000	S1-02924485000	S1-02924485000
*	48	DIAGRAM, WIRING	561274	561274	561274
2	49	HOSE, VACUUM	S1-02815874000	S1-02815874000	S1-02815874000

NOTE: \*Not Shown  
 New replacement parts shown in **bold** face type at the first printing of parts list dated 4/13.  
 Major components and suggested stocking items are shown with shaded item number.   
 "<" Across from row indicates a change in that row.  
 --- Not applicable to specified model.

**TO ORDER AUTHORIZED FACTORY REPLACEMENT PARTS** - Contact your Source1 HVAC Parts Distributor or visit our website at [www.Source1Parts.com](http://www.Source1Parts.com) for a Distributor and Dealer listing.