



www.Source1Parts.com

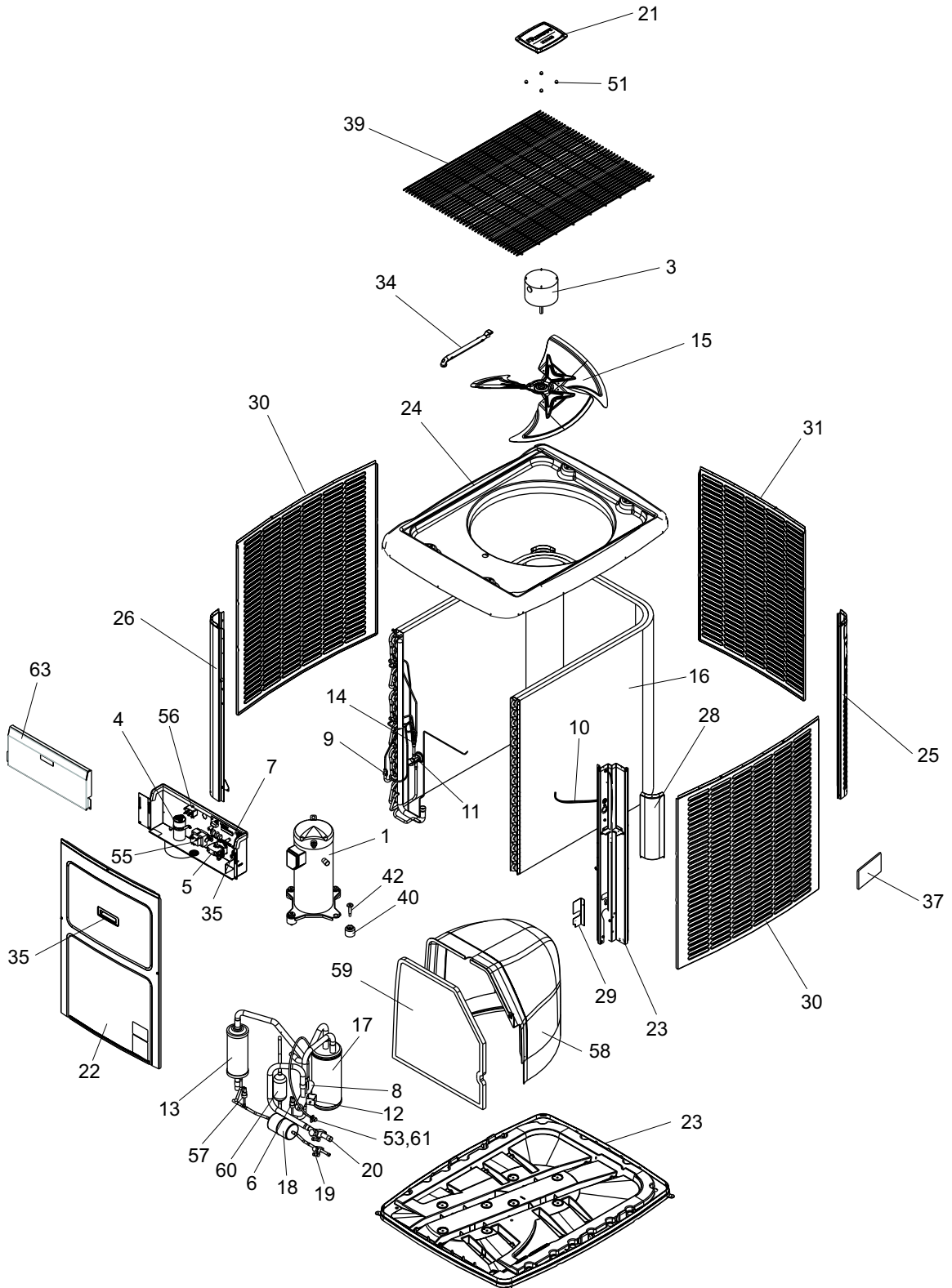
HC6 SERIES - 15/16 SEER HEAT PUMPS WITH COMMUNICATING CONTROLS (R-410A) (STYLE A)

HVAC SERVICE PARTS

Supersedes:035-22821-001 Rev. E (1113)

035-22821-001 Rev. F (0114)

1 of 4



ITEM	DESCRIPTION	HC6B024F3CA	HC6B030F3CA	HC6B036F3CA
1	Compressor	S1-01504141004	S1-01504142004	S1-01504146004
2*	Compressor Harness	S1-02541088000	S1-02541088000	S1-02541088000
3	Motor, Direct Drive Fan	S1-02435945000	S1-02435930000	S1-02435930000
4	Capacitor, Run (35/5MFD) [RC]	S1-02425859700	---	---
	Capacitor, Run (40/5MFD) [RC]	---	S1-02425894700	---
	Capacitor, Run (45/5MFD) [RC]	---	---	S1-02425120700
5	Contact, Electrical (40 AMP) [M]	S1-02425837700	S1-02425837700	S1-02425837700
6	Control Pressure (High)	S1-02538888001	S1-02538888001	S1-02538888001
7	Control Defrost	S1-33102957000	S1-33102957000	S1-33102957000
8	Reversing Valve	S1-02542731000	S1-02535313002	S1-02533307002
9	Sensor, Coil Temperature (3/8" Tube)	S1-03101276000	S1-03101276000	S1-03101276000
10	Ambient Sensor	S1-02542683000	S1-02542683000	S1-02542683000
11	TXV	S1-02542731000	S1-02533307002	S1-02541346000
12	Solenoid Coil (Rev. Valve)	S1-02530215002	S1-02530215002	S1-02530215002
13	Tank, Compensator	---	---	---
14	Distributor Assembly	S1-02538973000	S1-02533424233	S1-02533424234
15	Blade, Fan	S1-02644450000	S1-02642370000	S1-02642370000
16	Coil, Condenser	S1-37327922001	S1-37327922002	S1-37327922003
17	Accumulator Tank	S1-02625573002	S1-02625573002	S1-02625573007
18	Filter/Drier	S1-52636219000	S1-52636219000	S1-52636219000
19	Valve Base, Liquid (3/8")	S1-02211567000	S1-02211567000	S1-02211567000
20	Valve Base, Suction (3/4")	S1-02211568000	S1-02211568000	S1-02211568000
21	Top Cap Assy	S1-02815937000	S1-02815937000	S1-02815937000
22	Access Panel	S1-07326917746	S1-07327909003	S1-07327909003
23	Pan, Base	S1-03200214000	S1-03200214000	S1-03200214000
24	Panel, Top	S1-07327895002	S1-07327895001	S1-07327895001
25	Corner Post, Front (2 Req'd)	S1-07327888003	S1-07327888003	S1-07327888003
26	Corner Post, Access	S1-07327888006	S1-07327888006	S1-07327888006
27	Corner Post, Valve	S1-07327888009	S1-07327888009	S1-07327888009
28	Corner Cover, Access	S1-07327884001	S1-07327884001	S1-07327884001
29	Bracket, Valve	S1-07327885001	S1-07327885001	S1-07327885001
30	Coil Guard, Side Slots (2 Req'd)	S1-07326917734	S1-07327909002	S1-07327909002
31	Coil Guard, Front Slots	S1-07326917735	S1-07327909001	S1-07327909001
32*	Foam Insert, Side (2 Req'd)	S1-02815181002	S1-02815908000	S1-02815908000
33*	Foam Insert, Front	S1-02815181001	S1-02815907000	S1-02815907000
34	Wireway	S1-02813216001	S1-02815463000	S1-02815463000
35	Lug, Electrical	S1-02521798000	S1-02521798000	S1-02521798000
36*	Relief, Strain	S1-02509080000	S1-02509080000	S1-02509080000
37	Bezel Plate Assy	S1-02815900000	S1-02815900000	S1-02815900000
38	Handle-Access	S1-02814886000	S1-02814886000	S1-02814886000
39	Guard, Fan	S1-02646755000	S1-02646756000	S1-02646756000
40	Grommet, Isolator (Comp) (Pkg. of 4)	S1-02810508100	S1-02810505000	S1-02810505000
41*	Grommet, Isolator (Accumulator) (2 Req'd)	S1-1212-0061	S1-1212-0061	S1-1212-0061
42	Bolt, Compressor (4 Req'd)	S1-02118391000	S1-02118391000	S1-02118391000
43*	Screw, Black #10 x 3/8"	S1-02118396000	S1-02118396000	S1-02118396000
44*	Screw, Black #10 x 3/4"	S1-02118397000	S1-02118397000	S1-02118397000
45*	Screw, #8 x 1-1/2" Torx Head	S1-02118398000	S1-02118398000	S1-02118398000
46*	Diagram, Wiring	505195	505195	505195
47*	Wiring Harness (12 Pin)	---	S1-37326955002	S1-37326955002
48*	Wiring Harness, Fan	S1-37320055004	S1-37320055004	S1-37320055004
49*	Wiring Harness, Reversing Valve	S1-02542732000	S1-02542732000	S1-02542732000
50*	Wiring Harness (4 wire)	---	S1-37326955003	S1-37326955003
51	Kit, Motor Mounting (Acorn Nuts)	S1-36390117700	S1-36390117700	S1-36390117700
52	Grommet, Plastic (Spacer, 2 Req'd)	S1-02814880000	S1-02814880000	S1-02814880000
53	Knurled Valve Cap, 1/4" OD	S1-02310745000	S1-02310745000	S1-02310745000
54	Sensor, Discharge Temperature (1/2" Tube)	S1-03101278000	S1-03101278000	S1-03101278000
55	Transformer	---	---	S1-02518452700
56	Relay	---	---	S1-3024-3111
57	Switch, Low Pressure	S1-02538889001	S1-02538889001	S1-02538889001
58	Bulkhead, Large	S1-02815507000	S1-02815507000	S1-02815507000
59	Insulation, Door	S1-01007631000	S1-01007631000	S1-01007631000
60	Muffler	S1-02539847000	S1-02539847000	S1-02539847000
61	Body, Valve	S1-02208982000	S1-02208982000	S1-02208982000
62*	Foam Strip (Control Box)	S1-02815880000	S1-02815880000	S1-02815880000
63	Cover, Control Box	S1-37327973001	S1-37327973001	S1-37327973001

NOTE: *Not ShownNew replacement parts shown in **bold** face type at the first printing of parts list dated 1/14.

Major components and suggested stocking items are shown with shaded item number.

"←" Across from row indicates a change in that row.

--- Not applicable to specified model.

ITEM	DESCRIPTION	HC6B042F3CA	HC6B048F3CA	HC6B060F3CA
1	Compressor	S1-01504229004	S1-01503960004	S1-01503671004
2*	Compressor Harness	S1-02531884000	S1-02531884000	S1-02531884000
3	Motor, Direct Drive Fan	S1-02435930000	S1-02435930000	S1-02435930000
4	Capacitor, Run (55/5MFD) [RC]	S1-02425511700	---	---
	Capacitor, Run (60/5MFD) [RC]	---	S1-02432083000	---
	Capacitor, Run (80/5MFD) [RC]	---	---	S1-02435853000
5	Contact, Electrical (40 AMP) [M]	S1-02425837700	S1-02425837700	S1-02425837700
6	Control Pressure (High)	S1-02538888001	S1-02538888001	S1-02538888001
7	Control Defrost	S1-33102957000	S1-33102957000	S1-33102957000
8	Reversing Valve	S1-02533307002	S1-02533307002	S1-02542730000
9	Sensor, Coil Temperature (3/8" Tube)	S1-03101276000	S1-03101276000	S1-03101276000
10	Ambient Sensor	S1-02542683000	S1-02542683000	S1-02542683000
11	TXV	S1-02538739042	S1-02538739042	S1-02538739070
12	Solenoid Coil (Rev. Valve)	S1-02530215000	S1-02530215002	S1-02530215002
13	Tank, Compensator	---	---	S1-02635433000
14	Distributor Assembly	S1-02533424234	S1-02211517000	S1-02211517000
15	Blade, Fan	S1-02642370000	S1-02642284000	S1-02642284000
16	Coil, Condenser	S1-37327922004	S1-37327922005	S1-37327922006
17	Accumulator Tank	S1-02625573007	S1-02625573007	S1-02625573007
18	Filter/Drier	S1-52636219000	S1-52636219000	S1-52636219000
19	Valve Base, Liquid (3/8")	S1-02211567000	S1-02211567000	S1-02211567000
20	Valve Base, Suction (7/8")	S1-02211569000	S1-02211569000	S1-02211569000
21	Top Cap Assy	S1-02815937000	S1-02815937000	S1-02815937000
22	Access Panel	S1-07327909003	S1-07327909003	S1-07327909003
23	Pan, Base	S1-03200214000	S1-03200214000	S1-03200214000
24	Panel, Top	S1-07327895001	S1-07327895001	S1-07327895001
25	Corner Post, Front (2 Req'd)	S1-07327888003	S1-07327888003	S1-07327888003
26	Corner Post, Access	S1-07327888006	S1-07327888006	S1-07327888006
27	Corner Post, Valve	S1-07327888009	S1-07327888009	S1-07327888009
28	Corner Cover, Access	S1-07327884001	S1-07327884001	S1-07327884001
29	Bracket, Valve	S1-07327885001	S1-07327885001	S1-07327885001
30	Coil Guard, Side Slots (2 Req'd)	S1-07327909002	S1-07327909002	S1-07327909002
31	Coil Guard, Front Slots	S1-07327909001	S1-07327909001	S1-07327909001
32*	Foam Insert, Side (2 Req'd)	S1-02815908000	S1-02815908000	S1-02815908000
33*	Foam Insert, Front	S1-02815907000	S1-02815907000	S1-02815907000
34	Wireway	S1-02815463000	S1-02815463000	S1-02815463000
35	Lug, Electrical	S1-02521798000	S1-02521798000	S1-02521798000
36*	Relief, Strain	S1-02509080000	S1-02509080000	S1-02509080000
37	Bezel Plate Assy	S1-02815900000	S1-02815900000	S1-02815900000
38	Handle, Access	S1-02814886000	S1-02814886000	S1-02814886000
39	Guard, Fan	S1-02646756000	S1-02646756000	S1-02646756000
40	Grommet, Isolator (Comp) (Pkg. of 4)	S1-02810505000	S1-02810505000	S1-02810505000
41*	Grommet, Isolator (Accumulator) (2 Req'd)	S1-1212-0061	S1-1212-0061	S1-1212-0061
42	Bolt, Compressor (4 Req'd)	S1-02118391000	S1-02118391000	S1-02118391000
43*	Screw, Black #10 x 3/8"	S1-02118396000	S1-02118396000	S1-02118396000
44*	Screw, Black #10 x 3/4"	S1-02118397000	S1-02118397000	S1-02118397000
45*	Screw, #8 x 1-1/2" Torx Head	S1-02118398000	S1-02118398000	S1-02118398000
46*	Diagram, Wiring	505195	505195	509412
47*	Wiring Harness (12 Pin)	S1-37326955002	S1-37326955002	S1-37326955009
48*	Wiring Harness, Fan	S1-37320055004	S1-37320055004	S1-37320055004
49*	Wiring Harness, Reversing Valve	S1-02542732000	S1-02542732000	S1-02542732000
50*	Wiring Harness (4 wire)	S1-37326955003	S1-37326955003	S1-02542684000
51	Kit, Motor Mounting (Acorn Nuts)	S1-36390117700	S1-36390117700	S1-36390117700
52	Grommet, Plastic (Spacer, 2 Req'd)	S1-02814880000	S1-02814880000	S1-02814880000
53	Knurled Valve Cap, 1/4" OD	S1-02310745000	S1-02310745000	S1-02310745000
54	Sensor, Discharge Temperature (1/2" Tube)	S1-03101278000	S1-03101278000	S1-03101278000
55	Transformer	---	---	S1-02518452700
56	Relay	---	---	S1-3024-3111
57	Switch, Low Pressure	S1-02538889001	S1-02538889001	S1-02538889001
58	Bulkhead, Large	S1-02815507000	S1-02815507000	S1-02815507000
59	Insulation, Door	S1-01007631000	S1-01007631000	S1-01007631000
60	Muffler	S1-02539847000	S1-02539847000	S1-02539847000
61	Valve Body	S1-02208982000	S1-02208982000	S1-02208982000
62*	Foam Strip (Control Box)	S1-02815880000	S1-02815880000	S1-02815880000
63	Cover, Control Box	S1-37327973001	S1-37327973001	S1-37327973001

NOTE: *Not ShownNew replacement parts shown in **bold** face type at the first printing of parts list dated 1/14

Major components and suggested stocking items are shown with shaded item number.

"←" Across from row indicates a change in that row.

--- Not applicable to specified model.

TO ORDER AUTHORIZED FACTORY REPLACEMENT PARTS - Contact your Source1 HVAC Parts Distributor or visit our website at www.Source1Parts.com for a Distributor and Dealer listing.