



www.Source1Parts.com

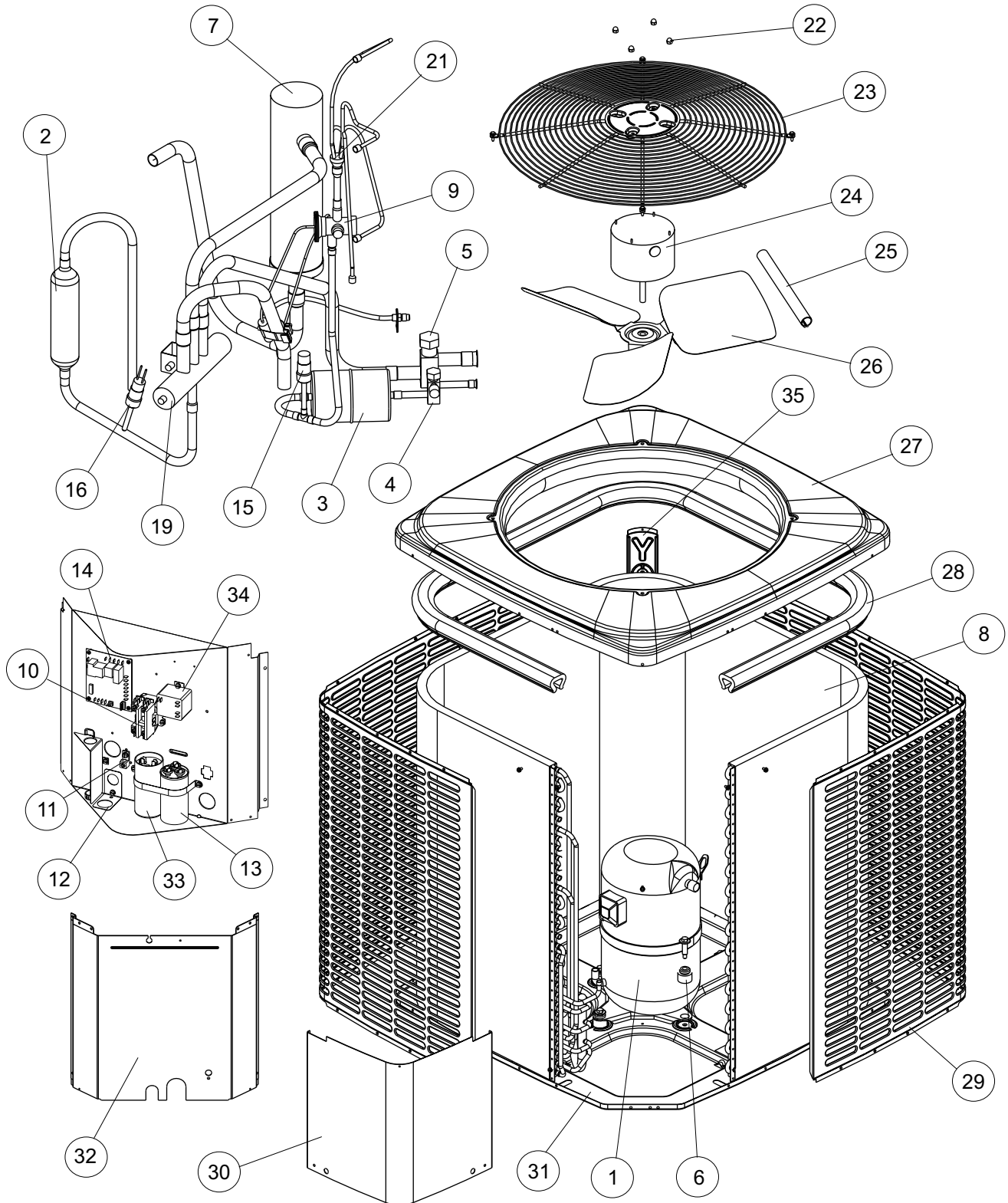
THJF SERIES - FIN & TUBE 14.5 SEER HEAT PUMP (R-410A) 4TH GENERATION (STYLE A)

HVAC SERVICE PARTS

Supersedes: Nothing

035-23398-001 Rev. A (0912)

1 of 2



| ITEM | DESCRIPTION | THJF36S41S4A < |
|------|-------------------------------------|----------------|
| 1 | Compressor | S1-01504200004 |
| 2 | Muffler w/Check Valve | S1-02209077000 |
| 3 | Filter Drier | S1-52636219000 |
| 4 | Base Valve (3/8") (Liquid) | S1-02211571000 |
| 5 | Base Valve (3/4") (Suction) | S1-02211572000 |
| 6 | Compressor Mount (Pkg. of 4) | S1-02810581000 |
| 7 | Accumulator | S1-02635441000 |
| 8 | Outdoor Coil Assembly | S1-37327845005 |
| 9 | Valve, TXV | S1-02541339000 |
| 10 | Contactora (30 amp) | S1-02427531000 |
| 11 | Lug, Ground | S1-02521798000 |
| 12 | Relief, Strain | S1-02509080000 |
| 13 | Dual Capacitor (40/5 MFD) | S1-02425894700 |
| 14 | Board, Defrost Control | S1-33101975102 |
| 15 | Pressure Switch, Low | S1-02541264000 |
| 16 | Pressure Switch, High | S1-02535359000 |
| 17* | Sensor, Temperature (Coil) | S1-03101276000 |
| 18* | Sensor, Temperature (Ambient) | S1-02532701016 |
| 19 | Valve, Reversing | S1-02542731000 |
| 20* | Solenoid Coil, Reversing Valve | S1-02530215002 |
| 21 | Assembly, Distributor | S1-02533424234 |
| | Assembly, TXV/Distributor | S1-02542664000 |
| 22 | Kit, Motor Mounting (Acorn Nuts) | S1-36390117700 |
| 23 | Guard, Fan | S1-02642586000 |
| 24 | Motor, Fan | S1-02435819000 |
| 25 | Wireway | S1-02815864000 |
| 26 | Blade, Fan | S1-02642370000 |
| 27 | Top | S1-07327853001 |
| 28 | Foam, Outdoor Coil | S1-02815863000 |
| 29 | Slotted Panel, Coil Guard (2 Req'd) | S1-07327906007 |
| 30 | Cover, Control Box | S1-07323856001 |
| 31 | Pan, Base | S1-07327933003 |
| 32 | Panel, Blockoff | S1-07327858002 |
| 33 | Capacitor, Start | S1-02425076700 |
| 34 | Relay, Start | S1-02425035000 |
| 35 | Post, Corner | S1-07327857003 |
| 36* | Harness, Wire | S1-37326955005 |
| 37* | Harness, Reversing Valve | S1-02542732000 |
| 38* | Harness, Main Wiring | S1-37320055004 |
| 39* | Harness, Compressor | S1-02531884000 |
| 40* | Orifice, Refrigerant (.071) | S1-02919387029 |
| 41 | Wiring Diagram | 331677 |
| 42 | Blanket, Compressor | S1-01007639000 |
| 43* | Plate, Bezel | S1-02815899000 |

NOTE: *Not Shown
New replacement parts shown in **bold** face type at the first printing of parts list dated 9/12.
Major components and suggested stocking items are shown with shaded item number.
"←" Across from row indicates a change in that row.
--- Not applicable to specified model.

TO ORDER AUTHORIZED FACTORY REPLACEMENT PARTS - Contact your Source1 HVAC Parts Distributor or visit our website at www.Source1Parts.com for a Distributor and Dealer listing.